



## Rack Installation Instructions

Review the documentation that comes with your rack cabinet for safety and cabling information. When installing your server in a rack cabinet, consider the following:

- Two or more people are required to install the device in a rack cabinet.
- Ensure the room air temperature is below 35°C (95°F).
- Do not block any air vents, usually 15 cm (6 in.) of air space provides proper airflow.
- Plan the device installation starting from the bottom of the rack cabinet.
- Install the heaviest device in the bottom of the rack cabinet.
- Do not leave open spaces above or below an installed server in a rack cabinet. To help prevent damage to server components, always install a blank filler panel to cover the open space and to help ensure proper air circulation.
- Do not extend more than one device out of the rack cabinet at the same time.
- Connect all power cords to properly wired and grounded electrical outlets.
- Take precaution to prevent overloading the power outlets when you install multiple devices in a rack cabinet.
- The slide rails in this kit come preset to the correct length for installation in an IBM® rack cabinet and they are adjustable for other rack cabinets.
- The slide rails are marked (RIGHT/FRONT and LEFT/FRONT) for proper placement on the rack-cabinet flanges.



Use safe practices when lifting.



≥18 kg (39.7 lb)



≥32 kg (70.5 lb)



≥55 kg (121.2 lb)

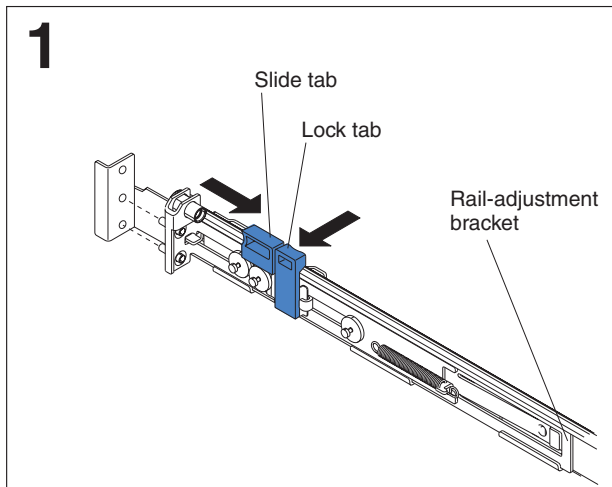
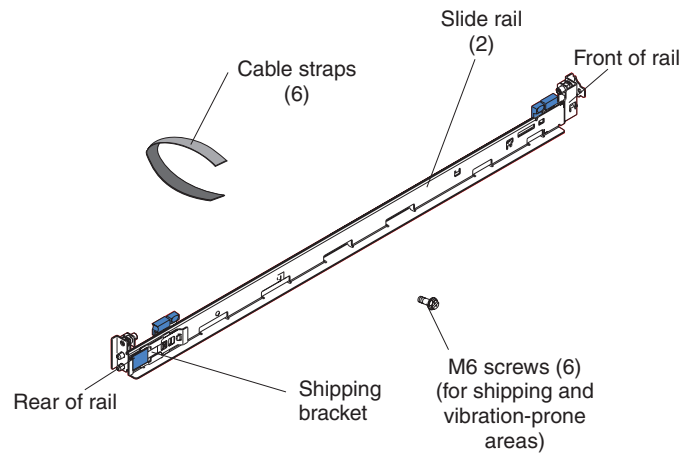


Do not place any object weighing more than 50 kg (110 lb) on top of rack-mounted devices.



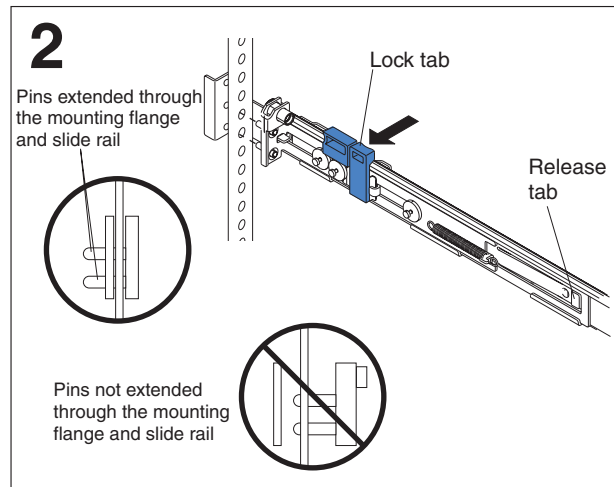
≥50 kg (110 lb)

This server does not require any tools for the installation procedure unless you are shipping the server in the rack. When you are shipping the server in the rack, you will need a Phillips screwdriver. The following illustration shows the items that you need to install the server in your rack cabinet. If any items are missing or damaged, contact your place of purchase.



Press on the rail-adjustment bracket on the rear of the slide rail to prevent the bracket from moving. Then, press on the lock tab and the slide tab and slide the rail-locking carrier toward the front of the slide rail until it snaps into place.

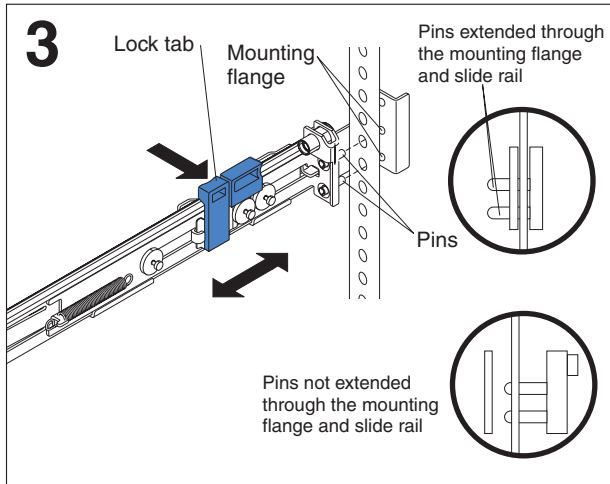
Press on the lock tab and the slide tab on the front rail-locking carrier and slide the rail-locking carrier toward the rear of the slide until it snaps into place.



**Note:** If you need to adjust the slide-rail length, lift the release tab and fully extend the rail-adjustment bracket from the rear of the slide rail until it snaps into place.

Align the pins on the rear rail-locking carrier with the holes on the rear mounting flange. Then, press the lock tab to secure the rear of the slide rail onto the rear mounting flange.

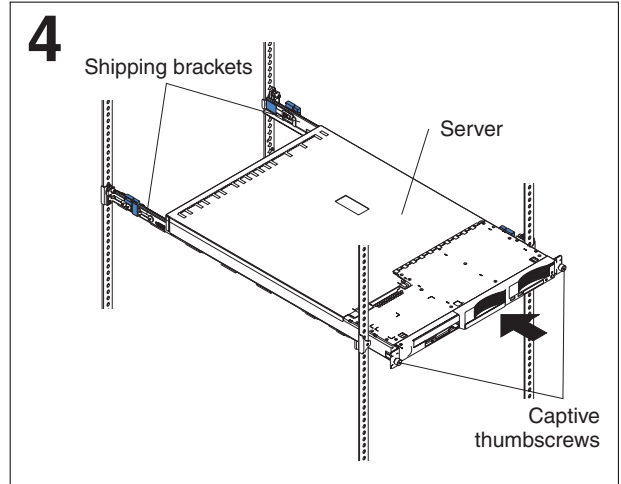
**Important:** Ensure that the pins are fully extended through the mounting flange and slide rail.



Align the pins on the front rail-locking carrier to the front mounting flange. If you adjusted the rail length, push the rail-locking carrier back toward the rear of the slide rail to align the slide rail with mounting flange. Then, press the lock tab to secure the front of the slide rail onto the front mounting flange.

**Important:** Ensure that the pins are fully extended through the mounting flange and the slide rail.

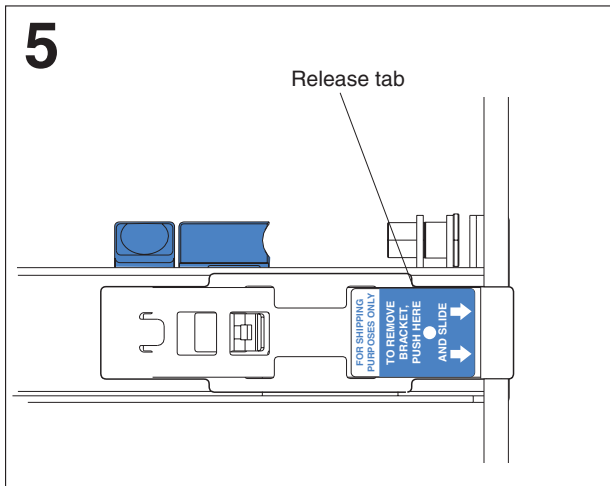
Repeat steps 1 and 2 for the other slide rail.



Align the server on the slide rails and push the server fully into the rack cabinet.

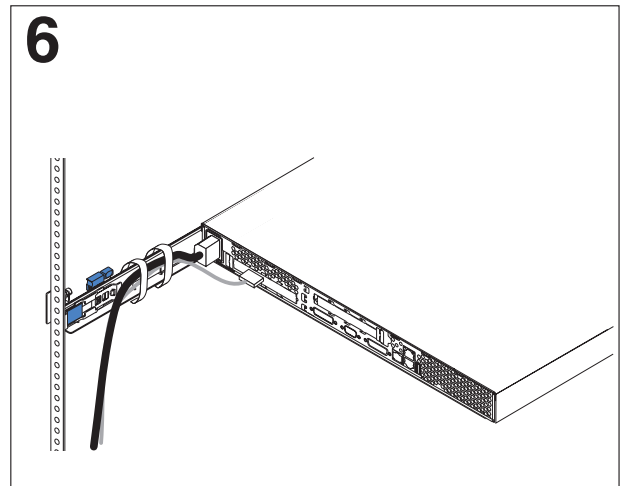
Secure the server to the front mounting flanges with the two captive thumbscrews.

**Note:** You must leave the shipping brackets attached to the slide rails unless shipping brackets impede the server from fully seating into the rack cabinet. If you need to remove the shipping brackets, continue with step 5; otherwise, go to step 6.

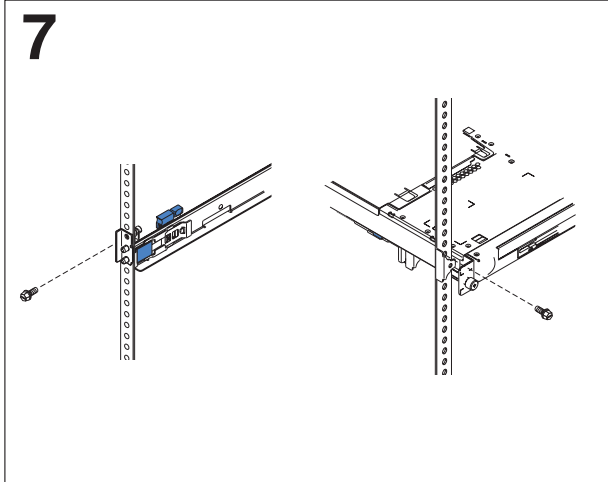


Press on the release tab as indicated on the shipping bracket, and slide the shipping bracket off the slide rail. Repeat this step for the other shipping bracket. Store the shipping brackets for future use.

**Note:** You must reinstall the shipping brackets on the slide rails before you transport the rack cabinet to another location with the server installed. To reinstall the shipping bracket, reverse this step.



Route the cables to the lower-left corner of the server (as viewed from the rear), and use the cable strap to secure the cables to the slide rails.



Before you transport the rack cabinet to another location with the server installed, you must secure the server to the rack. If necessary, disconnect the cables from the rear of the server; then, slide the server out of the rack 150 mm (6 inches) and insert the M6 screws (that come with the kit) in each slide rail. Then, secure the server to the rack cabinet with the M6 screws and reconnect the cables.

You must also reinstall the shipping bracket on the slide rail, if removed. To reinstall the shipping bracket, reverse the procedure in step 5.

To remove the server from the rack, reverse these instructions. Store this information with your server documentation for future use.

---

**First Edition (September 2003)**

**Part number: 88P9259**

**Printed in the U.S.A.**

IBM, the e-business logo, and @server are trademarks of the IBM Corporation in the United States, other countries, or both.

© Copyright International Business Machines Corporation 2003. All rights reserved.

US Government Users Restricted Rights – Use, duplication or disclosure restricted by GSA ADP Schedule Contract with IBM Corp.

(1P) P/N: 88P9259

