



**Alteon OS**

# Release Notes

Nortel 10Gb Uplink Ethernet Switch Module for IBM BladeCenter® Version 1.0

---

Part Number: 31R1724, June 2006

Solutions by  
**NORTEL**

**BLADE**  
N E T W O R K  
T E C H N O L O G I E S

2350 Mission College Blvd.  
Suite 600  
Santa Clara, CA 95054  
[www.bladenetwork.net](http://www.bladenetwork.net)

Copyright © 2006 Blade Network Technologies, Inc., 2350 Mission College Blvd. Suite 600, Santa Clara, California, 95054, USA. All rights reserved. Reference number: 31R1724

This document is protected by copyright and distributed under licenses restricting its use, copying, distribution, and decompilation. No part of this document may be reproduced in any form by any means without prior written authorization of Blade Network Technologies, Inc. Documentation is provided “as is” without warranty of any kind, either express or implied, including any kind of implied or express warranty of non-infringement or the implied warranties of merchantability or fitness for a particular purpose.

U.S. Government End Users: This document is provided with a “commercial item” as defined by FAR 2.101 (Oct. 1995) and contains “commercial technical data” and “commercial software documentation” as those terms are used in FAR 12.211-12.212 (Oct. 1995). Government End Users are authorized to use this documentation only in accordance with those rights and restrictions set forth herein, consistent with FAR 12.211- 12.212 (Oct. 1995), DFARS 227.7202 (JUN 1995) and DFARS 252.227-7015 (Nov. 1995).

Blade Network Technologies, Inc. reserves the right to change any products described herein at any time, and without notice. Blade Network Technologies, Inc. assumes no responsibility or liability arising from the use of products described herein, except as expressly agreed to in writing by Blade Network Technologies, Inc. The use and purchase of this product does not convey a license under any patent rights, trademark rights, or any other intellectual property rights of Blade Network Technologies, Inc.

Alteon, Alteon WebSystems, and Alteon OS are trademarks of Nortel Networks, Inc. in the United States and certain other countries. Any other trademarks appearing in this manual are owned by their respective companies.

Originated in the USA.

# Release Notes

---

The Nortel 10Gb Uplink Ethernet Switch Module (GbESM) is one of up to four GbESMs that can be installed in the IBM BladeCenter chassis.

These release notes provide the latest information regarding Alteon OS for Nortel 10Gb Uplink Ethernet Switch Module version 1.0. This supplement modifies information found in the complete documentation:

- *Alteon OS Application Guide for the Nortel 10Gb Uplink Ethernet Switch Module for IBM BladeCenter*
- *Alteon OS Command Reference for the Nortel 10Gb Uplink Ethernet Switch Module for IBM BladeCenter*
- *Alteon OS NNCLI Reference for the Nortel 10Gb Uplink Ethernet Switch Module for IBM BladeCenter*
- *Alteon OS Browser-Based Interface for the Nortel 10Gb Uplink Ethernet Switch Module for IBM BladeCenter*
- *BladeCenter Installation and User's Guide for the Nortel 10Gb Uplink Ethernet Switch Module for IBM BladeCenter*

The publications listed above are available from the IBM support website:

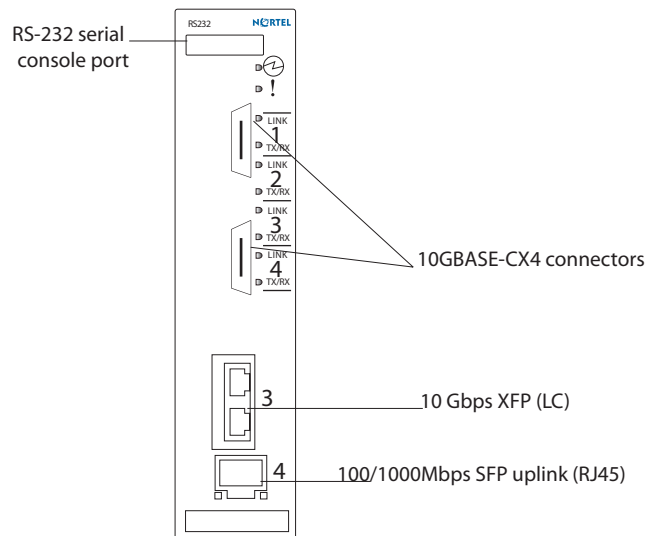
<http://www.ibm.com/support>

Please keep these release notes with your product manuals.

## Hardware support

This Alteon OS version 1.0 software is supported only on the IBM BladeCenter's 10Gb Uplink Ethernet Switch Module (GbESM). The Nortel GbESM is a high performance Layer 2-3 embedded network switch that features tight integration with IBM BladeCenter's management module. The GbESM has three 10Gbps external ports (see [Figure 1](#)). The number and type of ports are as follows:

- Two 10GBASE-CX4 connectors
- One 10Gbps XFP (LC connector)
- One 100/1000T external SFP uplink (RJ45)
- Fourteen 10/100/1000 Ethernet internal ports.



**Figure 1** GbESM Faceplate

## Updating the Switch Software Image

---

The switch software image is the executable code running on the GbE Switch Module. A version of the image ships with the switch, and comes pre-installed on the device. As new versions of the image are released, you can upgrade the software running on your switch. To get the latest version of software available for your GbE Switch Module, go to:

<http://www.ibm.com/pc/support>

Click on **software updates**. Use the `/boot/cur` command to determine the current software version.

The typical upgrade process for the software image consists of the following steps:

- Place the new image onto a FTP or TFTP server on your network, or on a local computer.
- Transfer the new image to your switch.
- Select the new software image to be loaded into switch memory the next time the switch is reset.

## Loading New Software to Your Switch

The switch can store up to two different software images, called `image1` and `image2`, as well as boot software, called `boot`. When you load new software, you must specify where it should be placed: either into `image1`, `image2`, or `boot`.

For example, if your active image is currently loaded into `image1`, you would probably load the new image software into `image2`. This lets you test the new software and reload the original active image (stored in `image1`), if needed.

To download a new software image to your switch, you will need the following:

- The image or boot software loaded on a FTP or TFTP server on your network
- The hostname or IP address of the FTP or TFTP server
- The name of the new software image or boot file

---

**NOTE** – The DNS parameters must be configured if specifying hostnames.

---

**Image names:**

- Image file: GbESM-10U-AOS-1.0.1.1\_OS.img
- Boot file: GbESM-10U-AOS-1.0.1.1\_Boot.img

When the above requirements are met, use the following procedure to download the new software to your switch.

---

**NOTE** – When performing this update, make sure you download the new boot file and the new image file.

---

1. **At the Boot Options# prompt, enter:**

```
Boot Options# gting
```

2. **Enter the name of the switch software to be replaced:**

```
Enter name of switch software image to be replaced
["image1"/"image2"/"boot"]: <image>
```

3. **Enter the hostname or IP address of the FTP or TFTP server.**

```
Enter hostname or IP address of FTP/TFTP server: <name or IP address>
```

4. **Enter the name of the new software file on the server.**

```
Enter name of file on FTP/TFTP server: <filename>
```

The exact form of the name will vary by server. However, the file location is normally relative to the FTP or TFTP directory (usually /tftpboot).

5. **Enter your username for the server, if applicable.**

```
Enter username for FTP server or hit return for TFTP server: <user-  
name> or <Enter>
```

6. **The system prompts you to confirm your request.**

You should next select a software image to run, as described below.

## Selecting a Software Image to Run

You can select which OS software image (image1 or image2) you want to run in switch memory for the next reboot.

1. **At the Boot Options# prompt, enter:**

```
Boot Options# image
```

2. **Enter the name of the image you want the switch to use upon the next boot.**

The system informs you of which image is currently set to be loaded at the next reset, and prompts you to enter a new choice:

```
Currently set to use switch software "image1" on next reset.  
Specify new image to use on next reset ["image1"/"image2"]:
```

## New Software features

---

The list of features below briefly summarizes the new functionality of the 10Gb Uplink Ethernet Switch Module (GbESM). For more detailed information about configuring GbESM features and capabilities, please refer to the *Alteon OS Application Guide for the Nortel 10Gb Uplink Ethernet Switch Module for IBM BladeCenter*.

### Nortel Networks Command Line Interface

The Nortel Networks command line interface (NNCLI) provides an industry standard interface for monitoring and configuring the GbESM. Users can toggle between the Alteon OS CLI and the NNCLI.

To learn the basic structure and operation of the NNCLI, refer to *Alteon OS NNCLI Reference for the Nortel 10Gb Uplink Ethernet Switch Module for IBM BladeCenter*. This reference guide lists the NNCLI commands, and describes the function of each command.

### LDAP Authentication and Authorization

Alteon OS supports the LDAP (Lightweight Directory Access Protocol) method to authenticate and authorize remote administrators to manage the switch. LDAP is based on a client/server model. The switch acts as a client to the LDAP server. A remote user (the remote administrator) interacts only with the switch, not the back-end server and database.

LDAP authentication consists of the following components:

- A protocol with a frame format that utilizes TCP over IP
- A centralized server that stores all the user authorization information
- A client, in this case, the switch

### Protocol-Based VLANs

Protocol-based VLANs (PVLANS) allow you to segment network traffic according to the network protocols in use. Traffic generated by supported network protocols can be confined to a particular VLAN. You can give different priority levels to traffic generated by different network protocols.

With PVLAN, the switch classifies incoming packets by Ethernet protocol of the packets, not by the configuration of the ingress port. When an untagged or priority-tagged frame arrives at an ingress port, the protocol information carried in the frame is used to determine a VLAN to which the frame belongs. When a tagged frame arrives, the VLAN ID in the frame's tag is used.



## ACL Groups

Access Control Lists (ACLs) allow you to classify packets according to a particular content in the packet header, such as the source address, destination address, source port number, destination port number, and others. Packet classifiers identify flows for more processing.

You can define a traffic profile by compiling a number of ACLs into an ACL Group, and assigning the ACL Group to a port. Each port can accept up to 127 filters, including ACL Groups.

Each ACL in an ACL Group has a precedence level, based on its position in the ACL Group. The first ACL added to the ACL Group has the highest precedence, the last ACL added has the lowest precedence (top to bottom). If a packet matches the highest precedence ACL, the following ACLs are also considered, in order of precedence.

## IGMP Static Multicast Router

A static multicast router (Mrouter) can be configured for a particular port on a particular VLAN. A static MRouter does not have to be learned through IGMP Snooping. A total of 16 static Mrouters can be configured on the GbESM. Both internal and external ports can accept a static Mrouter.

When you configure a static Mrouter on a VLAN, it replaces any dynamic Mrouters learned through IGMP Snooping.

## IGMP Relay

The GbESM can act as an IGMP Relay (or IGMP Proxy) device that relays IGMP multicast messages and traffic between an Mrouter and end stations. IGMP Relay allows the GbESM to participate in network multicasts with no configuration of the various multicast routing protocols, so you can deploy it in the network with minimal effort.

## Supplemental Information

---

This section provides additional information about configuring and operating the GbESM and Alteon OS, version 1.0.

### Management Module

- The “Fast POST=Disabled/Enabled” inside the IBM management module Web interface “I/O Module Admin Power/Restart” does not apply to the GbESM.  
Solution: To boot with Fast or Extended POST, go to the “I/O Module Admin Power/Restart” window. Select the GbESM, and then choose “Restart Module and Run Standard Diagnostics” or “Restart Module and Run Extended Diagnostics.”
- The following table correlates the Firmware Type listed in the IBM management module’s Web interface “Firmware VPD” window to the GbESM software version:

**Table 1** Firmware Type list

Firmware Type	Description
Boot ROM	GbESM Boot code version
Main Application 1	Image 1 GbESM Alteon OS version
Main Application 2	Image 2 GbESM Alteon OS version

- Within the IBM management module Web interface, the Java applets of “Start Telnet Session” and “Start Web Session” do not support changing of default known ports 23 and 80 respectively.  
Solution: If the Telnet or HTTP port on the GbESM is changed to something other than the default port number, the user must use a separate Telnet client or Web browser that supports specifying a non-default port to start a session to the GbESM user interface.

### Management Module-GbE Switch Module Connectivity

Currently, the IBM management module is designed to provide one-way control of the GbESM. As a result, the GbESM may lose connectivity to the management module via the management port under the following conditions:

- If new IP attributes are pushed from the management module to the GbESM while the IP Routing table is full with 2048 entries, the new attributes will not be applied.

Solution: Enable “External Management over all ports,” connect to the switch using other interface and then clear the routing table. Then push the IP address from the management module. If this does not work, use Solution 2 below.

- If you execute the `/boot/reset` CLI command on the GbESM or the GbESM resets itself, the management module might not push the IP attributes to the switch, and connectivity may be lost.

Solution 1: If you should experience any connectivity issues between the switch module and the management module, go to the **I/O Module Configuration** window on the management module’s Web interface. Under the **New Static IP Configuration** section, click Save to trigger the management module to push the stored IP attributes to the switch module.

Solution 2: If Solution 1 does not resolve your connectivity issue, then go to the **I/O Module Admin/Power/Restart** window on the management module’s Web interface. Restart the switch module in question.

Solution 3: If this still does not resolve the issue, enable **Preserve new IP configuration on all resets** setting on the management module and restart the switch module via the **I/O Module Admin/Power/Restart** window on the management module’s Web interface.

---

**NOTE** – As a rule, always use the management module Web interface to change the GbESM management IP attributes (IP address, mask and gateway), and then click Save to push the IP attributes to the switch module. Use of the command-line interface to change the switch module management IP attributes may result in duplicated IP Interface 128 entries in the GbE Switch route table and/or loss of connectivity via the management module.

---

## Management Port Nomenclature

Support for both management modules is included within a single management port (MGT). The MGT port dynamically connects to the active management module. This yields configuration and display characteristics that are different from predecessor Nortel GbE switch modules, but the functionality is equivalent.

## Secure Management Network

The following GbESM attributes are reserved to provide secure management access to and from the IBM management module:

- VLAN 4095
- IP Interface 128
- Gateway 132
- MGT (Port 15)
- STG 32

For more information about remotely managing the GbESM through the external ports, see “Accessing the Switch” in the Alteon OS Version 1.0 Application Guide.

---

**NOTE** – The external uplink ports (EXT1-EXT4) cannot be members of the management VLAN (4095).

---

## Secure Shell (SSH)

Because SSH key generation is CPU intensive, the GbESM attempts to avoid unnecessary key generation. The process generates three server keys:

1. **One key is generated to replace the current server key, if used.**
2. **A second key is generated as a spare, in case the current server key is used and the specified interval expires.**
3. **A third key is generated for use at the next reboot.**

Therefore, if you never login via SSH, you will only see two key generation events. You may see all three events directly following a reboot. If you want to witness the key generation after the specified interval has expired, then you must login via SSH at least once during each expiration interval.

## Trunk Group Configuration Tips

Please be aware of the following information when you configure trunk groups:

- Always configure trunk groups first on both ends, before you physically connect the links.
- Configure all ports in a trunk group to the same speed. You cannot aggregate Gigabit ports with 10GBASE-CX ports.

## Spanning Tree Configuration Tips

To ensure proper operation with switches that use Cisco Per VLAN Spanning Tree (PVST+), you must do one of the following:

- Create a separate Spanning Tree Group for each VLAN.
- Manually add all associated VLANs into a single Spanning Tree Group.

When using Layer 2 Trunk Failover, disable Spanning Tree Protocol on external ports.

## Syslog Configuration Tip

The *facility* parameter traditionally is used to correlate services (e.g. IP, CLI, etc.) to messages. This is done to distinguish between the different services that are running in the network/device. However, for the GbESM, there is a single configured facility value (0-7) used on all messages. By configuring a unique facility value for each switch, a single SYSLOG server can distinguish between the various GbESMs in the network. Refer to “System Host Log Configuration” in the Alteon OS *Version 1.0 Command Reference*.

## Known issues

---

This section describes known issues for the GbESM and Alteon OS.

### ACL Filtering

- When an ACL is installed on two different ports, only one statistics counter will be available. The GbESM does not support two different statistics counter for one ACL installed on two different ports. (Hardware Limitation)
- When setting up an ACL to set 802.1p priority for in-profile packets, and updating DSCP field using TOS bits for out-of-profile packets, the out-of-profile packets will have also the 802.1p priority set based on the in-profile setting. (Hardware limitation)
- Although the management port can be configured for port filtering, actual port filtering will not occur, because the system filters out the management VLAN.

### IGMP relay

- When having joins from multiple VLAN's and the Multicast data Transmitter is on a VLAN that did not receive any joins, multicast data is routed only if the flood option is disabled using the command, `/cfg/13/igmp/adv/flood d`.
- If an IGMP v2 joins an IGMP group on the same port where a v1 join has already been issued, the software will default to the v1 timeout value.

### Interoperability with Older Hubs

The command-line interface might display link up and link down messages continuously for an external port that is connected to certain older hub models configured for 100 Mbps half-duplex. The display might show link up erroneously. This behavior has been observed when connecting the GbESM with the following devices:

- NETGEAR FE104 100 hub
- SBS 1000Base-T NIC
- 3Com Linkbuilder FMS100 Hub 3C250 TX/I
- 3Com SuperStack II 100TX 3C250C-TX-24/12
- Nortel Baystack 204 Hub

If the GbESM is connected to an Alteon Application Switch which requires a link speed of 100 Mbps half-duplex, then enable auto negotiation on the GbESM port with `port speed=any, mode=any, fctl=both, and auto=on`.

## SNMP Link States

- Each port is capable of generating a LinkStateUp and LinkStateDown trap. This capability is enabled or disabled using the linktrap parameter, using the CLI command, `/cfg/sys/ssnmp/linkt`. LinkState traps are enabled by default. In this release of the software, when a user attempts to disable LinkState traps (`/cfg/sys/ssnmp/linkt <port #> d`), then applies and saves the configuration, an entry will be written incorrectly to the configuration file. Rather than writing the tree path `/cfg/sys/ssnmp`, the path `/cfg/ssnmp` will be saved, resulting in two behaviors:

On next reset, the GbESM will report an error; specifically

```
Error: unknown command "ssnmp"
```

Since the parameter change is not recognized, `linkt` will remain enabled.

Solution: Manually edit the configuration file. The configuration file can be written to, and read from a TFTP server.

- Start a TFTP server, then use the Switch Module command `/cfg/ptcfg` to write the configuration file to the device where the TFTP server is operating.
- Open the file with an ASCII text editor, locate the line starting with:

```
/cfg/ssnmp/linkt
```

- Change this line to:

```
/cfg/sys/ssnmp/linkt
```

- Write the change to the `cfg` file, then use the command `/cfg/gtcfg` to read the file back to the GbESM. Now reset the GbESM.
- The link state (`/info/link`) infrequently may report link up status for a server blade that has been removed from the chassis.

Solution: Disable internal ports for empty server blade slots.

## Link Aggregation Control Protocol

If a static trunk on a GbESM is connected to another GbESM with LACP configured (but no active LACP trunk), the command `/info/12/trunk` might erroneously report the static trunk as forwarding.

Since LACP trunks use LACPDU packet to maintain trunking with the partner, there is a possibility for those packets to be dropped from an extremely busy trunk. If this happens, some links in the LACP trunk might be removed, then aggregated back to the trunk if an LACPDU is received. To avoid this unstable LACP trunk link, you can add more links to the trunk to increase the bandwidth, or use regular static trunk if there are no more links available.

## Linking at 10/100Mb

When the link speed for an external connection is forced (i.e. no Auto-Negotiation) to 100 Mbps and then changed to 10 Mbps, if the external device is changed first, the external device may erroneously report the link as DOWN even after the GbESM is changed to 10 Mbps.

Solution: At the external device, disconnect and reconnect the cable.

## Static MRouter

If a port has a static multicast router (MRouter) configured, and you move the port to a different VLAN, the static MRouter appears in the `/info/13/igmp/mrouter/dump` output for the original VLAN.

Solution: When you move the port to a new VLAN, remove the static MRouter from the port, and add it again.

## ACL Filters

The ACL filters for TCP/UDP work properly only on packets that do not have IP options.

## QoS Metering

Traffic may exceed the configured maximum burst size of the ACL meter (`/cfg/port x/aclqos/meter/mbsize`) by one packet, with that packet remaining In-Profile. Once the ACL meter has been exceeded, additional burst packets fall Out-of-Profile.

## QoS and Trunking

When you assign an ACL (or ACL Group) to one port in a trunk, Alteon OS does not automatically assign the ACL to other ports in the trunk, and it does not prompt you to assign the ACL to other ports in the trunk.

Solution: Manually assign each ACL or ACL Group to all ports in a trunk.



## RADIUS with SSHv2

With RADIUS turned on, users might see a duplicate login prompt for SSHv2 clients, if the RADIUS server is too slow to respond or if the RADIUS server is not available. In this case, users must re-type the username and password to login.

## RIP MIBs

Due to backward-compatibility issues, two Routing Information Protocol (RIP) MIBs are available in Alteon OS : `ripCfg` and `rip2Cfg`. Use the `rip2Cfg` MIB to configure RIPv1 and RIPv2 through SNMP.

Alteon OS does not support the standard RIPv2 MIB, as described in RFC 1724. Use the `rip2Cfg` MIB to configure RIPv1 and RIPv2 through SNMP.

## Trunk and Link Loop

When you create a trunk or link loop between the GbESM and another switch, packets might loop infinitely at line rate within the related links. When this problem occurs, the GbESM continuously displays the following messages at the console:

```
WARNING: packet_sent u: 0, dv_active: tx ring full
packet_sent dcnt=114, public1=110, vcnt=1025
```

Solution: Remove the loop to resolve this misconfiguration.

## Trunk Traffic

Multicast, broadcast and DLF (Destination Lookup Failed, which are unknown destination MAC packets) traffic is sent to the lowest numbered port in the trunk. If this port is down, then the traffic is sent to the next lowest-numbered port. If the port that was down comes up again, the traffic is not re-hashed back to the recovered port.

## Browser Based Interface

- Users with Operator privileges may not make any changes to switch configuration in the BBI.
- Some versions of Microsoft Internet Explorer version 6.x do not perform HTTP download efficiently. If you have one of these versions, HTTP software download might take much longer than expected (up to several minutes).
- Blade Network Technologies recommends the Mozilla Firefox browser for BBI use.