

IBM @server BladeCenter Fibre Channel
Expansion Card



Installation and User's Guide

IBM @server BladeCenter Fibre Channel
Expansion Card



Installation and User's Guide

Note: Before using this information and the product it supports, read the general information in Appendix B, "IBM Statement of Limited Warranty Z125-4753-07 11/2002," on page 31 and Appendix C, "Notices," on page 53.

Second Edition (May 2004)

© Copyright International Business Machines Corporation 2004. All rights reserved.
US Government Users Restricted Rights – Use, duplication or disclosure restricted by
GSA ADP Schedule Contract with IBM Corp.

Contents

| | |
|--|-----------|
| Safety | v |
| Chapter 1. Introduction | 1 |
| Fibre Channel overview | 2 |
| Related documentation | 2 |
| Features and specifications. | 4 |
| Inventory checklist | 6 |
| Notices and statements used in this book. | 6 |
| Major components of the BladeCenter Fibre Channel Expansion Card | 7 |
| Chapter 2. Installing the I/O Expansion Card. | 9 |
| Handling static-sensitive devices. | 9 |
| Installation guidelines | 9 |
| Installing the I/O expansion card on a blade server | 11 |
| Chapter 3. Updating the I/O expansion card BIOS code and NVRAM code and installing device drivers | 15 |
| Using the Remote Deployment Manager. | 15 |
| Installing the Fibre Channel Expansion Card device drivers | 15 |
| Chapter 4. Using IBM Fast!UTIL | 17 |
| Starting Fast!UTIL | 17 |
| Configuration Settings menu options | 17 |
| Select host adapter | 17 |
| Host Adapter Settings | 17 |
| Selectable Boot Settings | 20 |
| Restore Default Settings | 20 |
| Raw NOVRAM data | 20 |
| Advanced Adapter Settings | 20 |
| Scan Fibre Channel devices | 22 |
| Fibre Channel disk utility. | 22 |
| Loopback data test | 22 |
| ExitFast!UTIL. | 22 |
| Chapter 5. Using IBM FastT MSJ utility | 23 |
| Overview of the IBM FASTT MSJ utility | 23 |
| Installation and System Requirements | 24 |
| Features | 24 |
| Utilities. | 25 |
| Update flash | 25 |
| Update NVRAM. | 25 |

| | |
|--|-----------|
| Chapter 6. Troubleshooting | 27 |
| Appendix A. Getting help and technical assistance | 29 |
| Before you call | 29 |
| Using the documentation. | 29 |
| Getting help and information from the World Wide Web | 30 |
| Software service and support | 30 |
| Hardware service and support | 30 |
| Appendix B. IBM Statement of Limited Warranty Z125-4753-07 11/2002 | 31 |
| Part 1 - General Terms. | 31 |
| Part 2 - Country-unique Terms | 35 |
| Part 3 - Warranty Information | 49 |
| Appendix C. Notices | 53 |
| Edition notice | 54 |
| Trademarks | 54 |
| Important notes | 55 |
| Product recycling and disposal | 56 |
| Electronic emission notices | 56 |
| Federal Communications Commission (FCC) statement. | 56 |
| Industry Canada Class A emission compliance statement | 56 |
| Australia and New Zealand Class A statement | 57 |
| United Kingdom telecommunications safety requirement | 57 |
| European Union EMC Directive conformance statement | 57 |
| Taiwanese Class A warning statement | 58 |
| Chinese Class A warning statement | 58 |
| Japanese Voluntary Control Council for Interference (VCCI) statement | 58 |
| Index | 59 |

Safety

Before installing this product, read the Safety Information.

قبل تركيب هذا المنتج، يجب قراءة الملاحظات الأمنية

Antes de instalar este produto, leia as Informações de Segurança.

在安裝本產品之前，請仔細閱讀 **Safety Information**
(安全信息)。

安裝本產品之前，請先閱讀「安全資訊」。

Prije instalacije ovog produkta obavezno pročitajte Sigurnosne Upute.

Před instalací tohoto produktu si přečtěte příručku bezpečnostních instrukcí.

Læs sikkerhedsforskrifterne, før du installerer dette produkt.

Lees voordat u dit product installeert eerst de veiligheidsvoorschriften.

Ennen kuin asennat tämän tuotteen, lue turvaohjeet kohdasta Safety Information.

Avant d'installer ce produit, lisez les consignes de sécurité.

Vor der Installation dieses Produkts die Sicherheitshinweise lesen.

Πριν εγκαταστήσετε το προϊόν αυτό, διαβάστε τις πληροφορίες ασφαλείας (safety information).

לפני שתתקינו מוצר זה, קראו את הוראות הבטיחות.

A termék telepítése előtt olvassa el a Biztonsági előírásokat!

Prima di installare questo prodotto, leggere le Informazioni sulla Sicurezza.

製品の設置の前に、安全情報をお読みください。

본 제품을 설치하기 전에 안전 정보를 읽으십시오.

Пред да се инсталира овој продукт, прочитајте информацијата за безбедност.

Les sikkerhetsinformasjonen (Safety Information) før du installerer dette produktet.

Przed zainstalowaniem tego produktu, należy zapoznać się z książką "Informacje dotyczące bezpieczeństwa" (Safety Information).

Antes de instalar este produto, leia as Informações sobre Segurança.

Перед установкой продукта прочтите инструкции по технике безопасности.

Pred inštaláciou tohto zariadenia si pečítajte Bezpečnostné predpisy.

Pred namestitvijo tega proizvoda preberite Varnostne informacije.

Antes de instalar este producto, lea la información de seguridad.

Läs säkerhetsinformationen innan du installerar den här produkten.

Statement 1:



DANGER

Electrical current from power, telephone, and communication cables is hazardous.

To avoid a shock hazard:

- Do not connect or disconnect any cables or perform installation, maintenance, or reconfiguration of this product during an electrical storm.
- Connect all power cords to a properly wired and grounded electrical outlet.
- Connect to properly wired outlets any equipment that will be attached to this product.
- When possible, use one hand only to connect or disconnect signal cables.
- Never turn on any equipment when there is evidence of fire, water, or structural damage.
- Disconnect the attached power cords, telecommunications systems, networks, and modems before you open the device covers, unless instructed otherwise in the installation and configuration procedures.
- Connect and disconnect cables as described in the following table when installing, moving, or opening covers on this product or attached devices.

To Connect:

1. Turn everything OFF.
2. First, attach all cables to devices.
3. Attach signal cables to connectors.
4. Attach power cords to outlet.
5. Turn device ON.

To Disconnect:

1. Turn everything OFF.
2. First, remove power cords from outlet.
3. Remove signal cables from connectors.
4. Remove all cables from devices.

Statement 3:



CAUTION:

When laser products (such as CD-ROMs, DVD drives, fiber optic devices, or transmitters) are installed, note the following:

- Do not remove the covers. Removing the covers of the laser product could result in exposure to hazardous laser radiation. There are no serviceable parts inside the device.
- Use of controls or adjustments or performance of procedures other than those specified herein might result in hazardous radiation exposure.



DANGER

Some laser products contain an embedded Class 3A or Class 3B laser diode. Note the following.

Laser radiation when open. Do not stare into the beam, do not view directly with optical instruments, and avoid direct exposure to the beam.

Class 1 Laser Product
Laser Klasse 1
Laser Klass 1
Luokan 1 Laserlaite
Appareil À Laser de Classe 1

Statement 21:



CAUTION:

Hazardous energy is present when the blade is connected to the power source. Always replace the blade cover before installing the blade.

Chapter 1. Introduction

This *Installation and User's Guide* contains instructions for installing your IBM® *eServer BladeCenter™* Fibre Channel Expansion Card in an IBM *eServer BladeCenter* blade server. It applies to blade servers that are installed in both IBM *eServer BladeCenter* and IBM *eServer BladeCenter T* units. This document contains information about:

- Installing and configuring the Fibre Channel Expansion Card
- Updating the BIOS code and device drivers of the Fibre Channel Expansion Card

The *BladeCenter Fibre Channel Expansion Card* is a 2 Gb Fibre Channel device that has two configurable adapter ports. Communication signals are routed from the blade server through the Fibre Channel high-speed connector on the Fibre Channel expansion card to I/O-module bay 3 and bay 4 in the *BladeCenter* or *BladeCenter T* unit.

Note: The modules in I/O-module bay 3 and bay 4 must support fibre channel operation.

Your *BladeCenter Fibre Channel Expansion Card* comes with a three-year limited warranty. For information about your warranty, see Appendix B, "IBM Statement of Limited Warranty Z125-4753-07 11/2002," on page 31. You can obtain up-to-date information about your IBM *BladeCenter Fibre Channel Expansion Card* and other IBM server products at <http://www.ibm.com/eserver/xseries/>.

This *Installation and User's Guide* and the most recent versions of other documents that provide detailed information about your *BladeCenter* unit, blade server, and available options are provided in Portable Document Format (PDF) at <http://www.ibm.com/pc/support/>.

For service or assistance, see Appendix A, "Getting help and technical assistance," on page 29.

The IBM *eServer BladeCenter Fibre Channel Expansion Card* is also referred to throughout this document as the I/O expansion card or the expansion card. The IBM *eServer BladeCenter* and IBM *eServer BladeCenter T* units are also referred to throughout this document as the *BladeCenter* unit.

Fibre Channel overview

Fibre Channel technology is outlined in the SCSI-3 Fibre Channel Protocol (SCSI-FCP) standard. Fibre Channel is a high-speed data transport technology used for mass storage and networking.

By adding BladeCenter fibre channel I/O-expansion cards to the blade servers and fibre channel compatible I/O modules to the BladeCenter unit, you can attach the blade server to an external storage area network (SAN) through the external 2 Gbps (gigabits per second) optical ports on the I/O modules. The BladeCenter Fibre Channel Expansion Card supports data-transfer rates up to 200 MB per second half-duplex and 400 MB per second full-duplex per port.

Related documentation

This *Installation and User's Guide* contains setup and installation instructions for your BladeCenter Expansion Card, including information about getting started and how to configure your BladeCenter Expansion Card.

In addition to this *Installation and User's Guide*, the following related documentation is provided with your BladeCenter blade server:

- *IBM @server BladeCenter 2-Port Fibre Channel I/O Module Installation Guide*

This document is provided in PDF on the IBM *BladeCenter Documentation* CD. This document contains detailed setup and installation instructions for the Fibre Channel I/O module and the IBM BladeCenter SAN Utility.

- *IBM @server BladeCenter Fibre Channel I/O Management User's Guide*

This document is provided in PDF on the IBM *BladeCenter Documentation* CD. This document contains information about using the command line interface (CLI) or the BladeCenter SAN utility to manage the Fibre Channel I/O module and your SAN.

- *IBM @server BladeCenter and BladeCenter T unit Installation and User's Guide*

Each type of BladeCenter unit has a customized *Installation and User's Guide* that is provided in PDF on the IBM *BladeCenter Documentation* CD. It provides general information about your BladeCenter unit, including:

- Information about features
- How to set up, cable, and start your BladeCenter® unit
- How to install options in your BladeCenter unit
- How to configure your BladeCenter unit
- How to perform basic troubleshooting of your BladeCenter unit
- How to get help

- IBM *@server BladeCenter blade server Installation and User's Guide*

Each type of blade server has a customized *Installation and User's Guide* that is provided in PDF on the IBM *BladeCenter Documentation* CD. It provides general information about your blade server, including:

- Information about features
- How to set up and start your blade server
- How to install options in your blade server
- How to configure your blade server
- How to install an operating system on your blade server
- How to perform basic troubleshooting of your blade server
- How to get help

- IBM *@server BladeCenter SAN Solutions Guide*

This document provides a user-oriented discussion about how the BladeCenter Fibre Channel options are used to provide different SAN storage solutions for different application requirements. This document also provides an overview and description for backup and restore, business continuance and high availability solutions, and storage consolidation and data sharing solutions.

- IBM *@server BladeCenter Fibre Channel I/O Interoperability Guide*

This document provides detailed Fibre Channel I/O-module configuration data and step-by-step configuration procedures for integrating the BladeCenter unit into other vendor switch fabrics. Each vendor configuration includes an initial integration checklist, configuration limitations, supported switch and firmware versions, specific management application operations, and a successful-integration checklist.

- *Rack Installation Instructions*

This document contains the instructions for installing your BladeCenter unit in a rack.

- *Safety Information*

This multilingual document is provided in Portable Document Format (PDF) on the IBM *BladeCenter Documentation* CD. It contains translated versions of the caution and danger statements that appear in the documentation for your server. Each caution and danger statement has an assigned number, which you can use to locate the corresponding statement in your native language.

- *IBM Hardware Maintenance Manual and Troubleshooting Guide*

This document is provided in PDF on the IBM *BladeCenter Documentation* CD. It contains information to help you solve problems yourself or to provide helpful information to a service technician.

- *IBM FAStT MSJ User's Guide*

This document is provided in PDF at <http://www.ibm.com/pc/support/>. It provides information about installing the IBM FAStT MSJ diagnostic program. You can use this program to verify the status of the Fibre Channel connections.

Depending on your blade server model, additional documents might be included on the IBM *BladeCenter Documentation CD*, with the most recent versions of all BladeCenter documents available at <http://www.ibm.com/pc/support/>.

In addition to reviewing the documentation in this library, be sure to review the *IBM BladeCenter Planning and Installation Guide* or the *IBM BladeCenter T Planning and Installation Guide* located at <http://www.ibm.com/pc/support/> on the World Wide Web for information to help you prepare for system installation and configuration.

Features and specifications

The Fibre Channel Expansion Card has the following features:

- Compliance with Third Generation Fibre Channel Physical and Signaling Interface (PC-PH-3), revision 9.2
- Compliance with U.S. and international safety and emissions standards
- Support for direct memory access (DMA)
- Support for bus mastering
- Fast!UTIL basic input/output system (BIOS) utility program to customize the configuration parameters on the BladeCenter Expansion Card and attached drives
- Support for Fibre Channel protocol SCSI (FCP-SCSI) and Fibre Channel Internet protocol (FCP-IP)
- Support for point-to-point fabric connection (F-port fabric login)
- Support for Fibre Channel service (classes 2 and 3)

The Fibre Channel Expansion Card has the following specifications:

Table 1. Fibre Channel Expansion Card specifications

| Type | Specification |
|------------------------------|---|
| Fibre Channel specifications | <ul style="list-style-type: none"> • Bus transfer rate: 200 MB per second maximum at half-duplex and 400 MB per second maximum at full-duplex • Support for both FCP-SCSI and IP protocols • Support for point-to-point fabric connection: F-Port Fabric Login • Support for FCAL public loop profile: FL-Port Login • Support for Fibre Channel services class 2 and 3 • Support for FCP SCSI initiator and target operation • Support for full-duplex operation • Copper interface ac coupled |
| Processor | Single-chip design with two completely independent 2 Gb serial Fibre Channel ports. Each port provides: <ul style="list-style-type: none"> • RISC processor • Integrated serializer/deserializer • Receive direct memory access (DMA) sequencer • Frame buffer • Five-channel DMA controller |
| Host data transfer | 64-bit, 100 MHz bus-master DMA data transfers to 800 MB per second |
| RAM | 512 KB sync burst SRAM per channel supporting parity protection |
| BIOS ROM | BIOS ROM 128 KB of flash memory (the flash is field programmable) |
| NVRAM | NVRAM 256 bytes, field programmable |
| Onboard DMA | Five-channel DMA controller for each port: transmit, receive, command, auto-request, and auto-response |
| Frame buffer FIFO | Integrated 4 KB transmit and 6 KB receive frame buffer FIFO for each data channel |
| Connectors (internal only) | <ul style="list-style-type: none"> • Board-to-board Molex HSM type for serial interfaces • 200 pin board-to-board for PCI-X interface |
| Dimensions | Approximately 9.35 cm x 13.14 cm (3.683 in. x 5.275 in.) |
| Operating power | Less than 12 watts |

Inventory checklist

The BladeCenter Fibre Channel Expansion Card option package includes the following items:

- BladeCenter Fibre Channel Expansion Card
- I/O expansion option tray
- IBM *BladeCenter Fibre Channel Expansion Card Installation and User's Guide*

Notices and statements used in this book

The caution and danger statements used in this book are also in the multilingual *Safety Information* book provided on the IBM *BladeCenter Documentation* CD. Each caution and danger statement is numbered for reference to the corresponding statement in the *Safety Information* book.

The following types of notices and statements are used in this book:

- **Note:** These notices provide important tips, guidance, or advice.
- **Important:** These notices provide information or advice that might help you avoid inconvenient or problem situations.
- **Attention:** These notices indicate possible damage to programs, devices, or data. An attention notice is placed just before the instruction or situation in which damage could occur.
- **Caution:** These statements indicate situations that can be potentially hazardous to you. A caution statement is placed just before the description of a potentially hazardous procedure step or situation.
- **Danger:** These statements indicate situations that can be potentially lethal or extremely hazardous to you. A danger statement is placed just before the description of a potentially lethal or extremely hazardous procedure step or situation.

Major components of the BladeCenter Fibre Channel Expansion Card

The following illustration shows the top of the BladeCenter Fibre Channel Expansion Card.

Note: The illustrations in this document might differ slightly from your hardware.

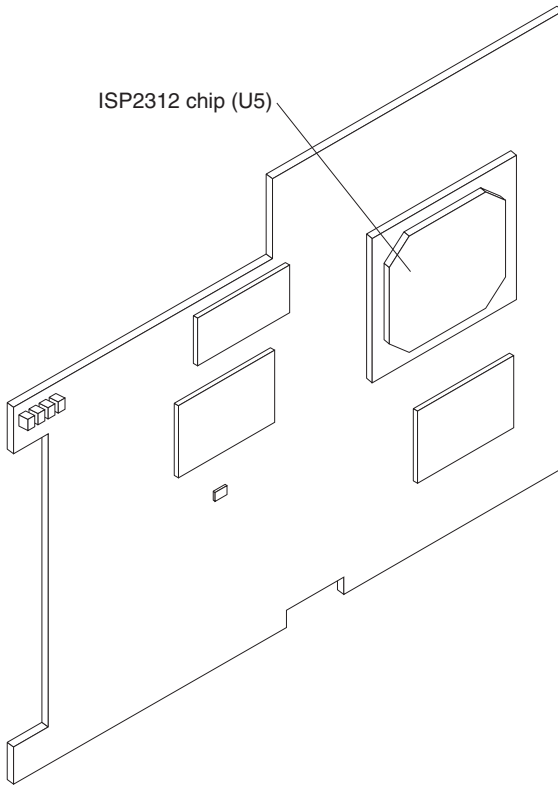


Figure 1. BladeCenter Fibre Channel Expansion Card (top)

ISP2312 chip (U5): The ISP2312 chip provides a PCI-X local bus interface and two completely independent 2 Gb serial Fibre Channel ports. Each port has a RISC processor, an integrated serializer/deserializer (SERDES), a receive DMA sequencer, frame buffer, five-channel DMA controller, and an external memory interface in a single-chip solution.

The following illustration shows the components on the bottom of the BladeCenter Fibre Channel Expansion Card.

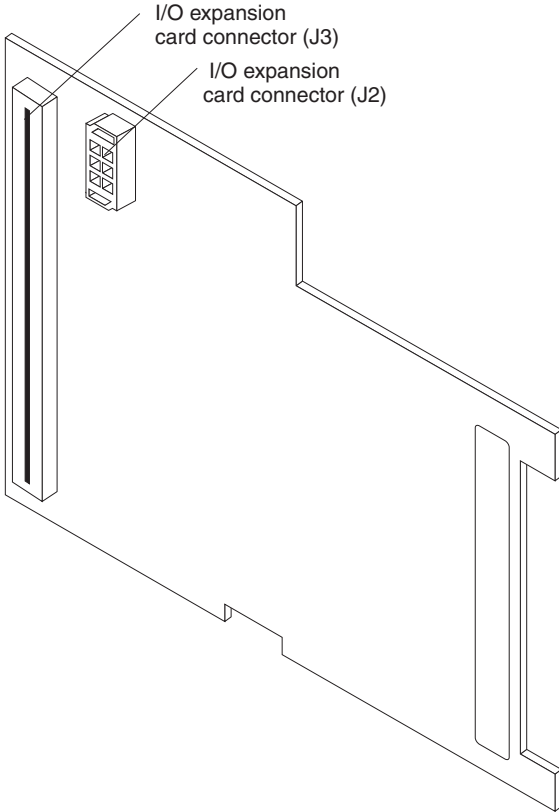


Figure 2. BladeCenter Fibre Channel Expansion Card (bottom)

Chapter 2. Installing the I/O Expansion Card

This chapter provides detailed instructions for installing the I/O expansion card in your blade server.

Note: The blade server shown in the illustrations in this section may be different than your blade server.

Handling static-sensitive devices

Attention: Static electricity can damage electronic devices, including your blade server. To avoid damage, keep static-sensitive devices in their static-protective packages until you are ready to install them.

To reduce the possibility of damage from electrostatic discharge, observe the following precautions:

- Limit your movement. Movement can cause static electricity to build up around you.
- Handle the device carefully, holding it by its edges or its frame.
- Do not touch solder joints, pins, or exposed circuitry.
- Do not leave the device where others can handle and damage it.
- While the device is still in its static-protective package, touch it to any *unpainted* metal surface of the BladeCenter chassis or any *unpainted* metal surface on any other grounded rack component in the rack you are installing the device in for at least 2 seconds. (This drains static electricity from the package and from your body.)
- Remove the device from its package and install it directly into the blade server without setting down the device. If it is necessary to set down the device, place it back into its static-protective package. Do not place the device on your blade server cover or on a metal surface.
- Take additional care when handling devices during cold weather. Heating reduces indoor humidity and increases static electricity.

Installation guidelines

Before you begin installing the I/O expansion card in your blade server, read the safety information beginning on page v and the guidelines in “Handling static-sensitive devices.” This information will help you work safely with your blade server and options.

Make sure you are using the latest versions of device drivers, firmware, and BIOS for your blade server, management module, and I/O modules that are

used by the I/O expansion card. Go to the IBM Support Web site, <http://www.ibm.com/pc/support/> for the latest information about upgrading the device drivers, firmware, and BIOS for BladeCenter components. The latest instructions are in the documentation that come with the updates.

If your blade server has an IDE hard disk drive installed in the IDE connector location where you are installing the I/O expansion card, you will need to remove it to install of an I/O expansion card. The I/O expansion card occupies the same space as this hard disk drive and replaces it. You cannot install a hard disk drive in the IDE connector while an I/O expansion card is installed in that connector location, meaning that you will need to choose between installing an IDE hard disk drive and an I/O expansion card for some blade server types.

Important:

- If an IDE hard disk drive must be removed to install the I/O expansion card, and this disk drive contains any information that you want to keep, back it up to another storage device.
- If an IDE hard disk drive must be removed to install the I/O expansion card, and this disk drive is part of a RAID array, unconfigure this RAID array before removing the hard disk drive. See your operating system documentation for instructions.

Ensure that an I/O module that supports fibre channel operation is installed in I/O-module bay 3, I/O-module bay 4, or both I/O-module bays 3 and 4 in the BladeCenter unit:

- If your blade server type supports installation of one I/O expansion card, you must install at least one I/O module that supports fibre channel operation in the BladeCenter unit when you install an IBM BladeCenter Fibre Channel Expansion Card in the blade server. Installing a second identical I/O module that supports fibre channel operation in the BladeCenter unit provides a backup I/O module in case one I/O module fails. If I/O modules are installed in both I/O-module bays 3 and 4, both I/O modules must be of the same type.
- If your blade server type supports installation of two I/O expansion cards, you must install at two I/O modules that support fibre channel operation in the BladeCenter unit when you install two IBM BladeCenter Fibre Channel Expansion Card in any blade server that is installed in the BladeCenter unit.

See the following BladeCenter documentation for additional information:

- The *Installation and User's Guide* for your blade server provides server specific I/O expansion card installation requirements.
- The *Installation Guide* for your BladeCenter unit shows I/O module bay locations.

- The *Installation Guide* for your I/O module has installation and configuration instructions for the I/O module.

Installing the I/O expansion card on a blade server

Complete the following steps to install the I/O expansion card in a blade server:

1. Before you begin installing the I/O expansion card in your blade server, read the “Installation guidelines” on page 9. This section contains information about procedures that should be performed before you remove your blade server from the BladeCenter unit to install the I/O expansion card.
2. If the blade server is installed in a BladeCenter unit and operating, shut down the operating system; then, turn off the blade server. (See the *Installation and User’s Guide* for your blade server for instructions.)

Attention: Wait at least 30 seconds, until the drives stop spinning, before proceeding to the next step.

Statement 21:



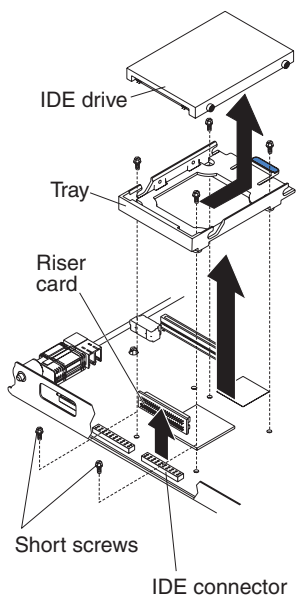
CAUTION:

Hazardous energy is present when the blade is connected to the power source. Always replace the blade cover before installing the blade.

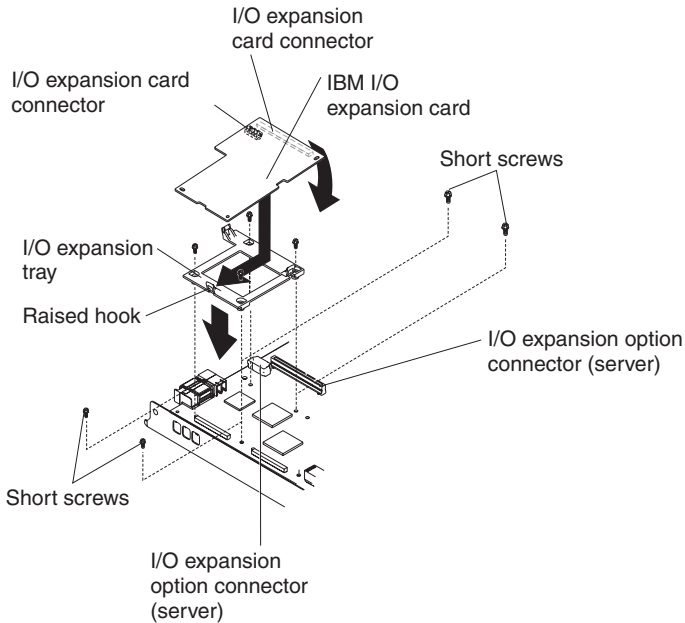
3. Remove the blade server from the BladeCenter unit, open the blade server cover, and locate where the I/O expansion card will be installed. See the *Installation and User’s Guide* for your blade server for instructions.

Important:

- If an IDE hard disk drive must be removed to install the I/O expansion card, and this disk drive contains any information that you want to keep, back it up to another storage device.
- If an IDE hard disk drive must be removed to install the I/O expansion card, and this disk drive is part of a RAID array, unconfigure this RAID array before removing the hard disk drive. See your operating system documentation for instructions.



4. If an IDE hard disk drive is installed in the IDE connector location where you are installing the I/O expansion card, remove the drive, riser card, and tray (save the screws that secure the tray to the system board); otherwise, remove the two screws near the IDE connector, if these are present.
5. Install the I/O expansion tray that comes with the I/O expansion card. Secure the tray to the blade server using the screws from the option kit.



6. Remove the I/O expansion card from the static-protective package.
7. Make sure the protective cover is removed from I/O expansion card connector J2; then, slide the narrow end of the I/O expansion card into the raised hook on the I/O expansion tray.
8. Align the I/O expansion card connectors (J2 and J3) on the I/O expansion card with the I/O expansion option connectors on the blade server; then, gently press the card into the connectors.

Statement 21:



CAUTION:

Hazardous energy is present when the blade is connected to the power source. Always replace the blade cover before installing the blade.

Important: The blade server cannot be inserted into the BladeCenter unit until the cover is installed and closed. Do not attempt to override this protection.

9. If you have other options to install in this blade server, do so now; otherwise, close the blade server cover and install the blade server in the BladeCenter unit. See the *Installation and User's Guide* for your blade server for instructions.

10. Turn on the blade server; then, set up a command session:
 - If your blade server supports local console connection through the management module switch control of the keyboard/mouse/video to this blade server. See the *Installation and User's Guide* for your blade server for instructions.
 - If your blade server does *not* support local console connection, see the *Installation and User's Guide* for your blade server for instructions about how to set up a command session with the blade server.
11. If the information displayed on the monitor screen is similar to the following text, update the BIOS code if necessary and install the expansion card device drivers. For more information, see Chapter 3, "Updating the I/O expansion card BIOS code and NVRAM code and installing device drivers," on page 15. If the information displayed on the monitor screen is not similar to this text and you have checked the expansion card configuration, go to Chapter 6, "Troubleshooting," on page 27 for problem-solving information.

```
QLogic Corporation
QLA2312 PCI Fibre Channel ROM BIOS Version X.XX
Copyright (C) QLogic Corporation 1993-2002 All Rights Reserved.
www.qlogic.com
```

```
Press <Ctrl+Q> for Fast!UTIL
```

```
BIOS for Adapter 0 is disabled
ROM BIOS not installed
```

Chapter 3. Updating the I/O expansion card BIOS code and NVRAM code and installing device drivers

After you install the Fibre Channel Expansion Card, be sure that the latest BIOS code and the nonvolatile random access memory (NVRAM) code are installed; then, install the device drivers.

Note: For the latest information about supported operating systems, versions of device drivers, utilities, and documentation, go to <http://www.ibm.com/pc/support/>.

Using the Remote Deployment Manager

You can use the Remote Deployment Manager (RDM) version 4.11 Update 2 or later program to install a supported operating systems on blade servers that support the RDM program. Follow the instructions in the documentation that comes with the RDM program. To check if your blade server supports RDM, purchase the RDM software, download the RDM user's guide, and obtain the latest updates, go to:

http://www-1.ibm.com/servers/eserver/xseries/systems_management/sys_migration/rdm.html

Installing the Fibre Channel Expansion Card device drivers

The latest device drivers, utilities, documentation, and installation instructions for the following supported operating systems are provided at <http://www.ibm.com/pc/support/>:

- Microsoft® Windows® 2000 and Microsoft Windows 2003
- Red Hat Advanced Server
- SUSE Linux 8.0 Enterprise

Customize the configuration of the BladeCenter I/O expansion card:

- if the I/O expansion card is installed in a BladeCenter HS20 or HS40 blade server, see Chapter 4, "Using IBM Fast!UTIL," on page 17.
- if the I/O expansion card is installed in a BladeCenter JS20 blade server, see Chapter 5, "Using IBM FastT MSJ utility," on page 23.

Chapter 4. Using IBM Fast!UTIL

This chapter provides detailed configuration information for advanced users who want to customize the configuration of the Fibre Channel Expansion Card when it is installed in a BladeCenter HS20 or HS40 blade server. You can configure the I/O expansion card using the Fast!UTIL utility.

Starting Fast!UTIL

Start or restart the blade server. On the blade server control panel, press the keyboard/video/mouse select button. To access Fast!UTIL, press Ctrl+Q during the expansion card BIOS initialization (it might take a few seconds for the Fast!UTIL menu to be displayed). The BladeCenter Expansion Card has dual adapter ports that can be configured separately with Fast!UTIL. After changing the settings that are described in the “Configuration Settings menu options” section, Fast!UTIL restarts the blade server to enable the new parameters.

Important: If the configuration settings are incorrect, the Fibre Channel Expansion Card might not function properly. Do not modify the default configuration settings unless you are instructed to do so by an IBM technical-support representative or in the installation instructions.

Configuration Settings menu options

Note: For information about Remote Boot options, contact your IBM technical-support representative.

Use the options described in this section to configure the Fibre Channel Expansion Card. The **Configuration Settings** menu displays several options that you can use to configure your expansion card.

Select host adapter

Use this option to select, configure, or view either of the two I/O port addresses on the Fibre Channel Expansion Card.

Host Adapter Settings

To access this option, select **Host Adapter Settings**. The default settings and the modifiable settings for the Fibre Channel expansion card are listed in Table 2 on page 18 and are described in this section. The Fibre Channel Expansion Card is always point-to-point connected in the blade server with I/O module that supports fibre channel operation.

Note: The loop reset delay, adapter hard loop ID, and hard loop ID settings are not applicable.

Table 2. Modifiable Fibre Channel Expansion Card default settings

| Setting | Options | Default |
|----------------------------|---------------------|-----------|
| Host adapter BIOS | Enabled or disabled | Disabled |
| Frame size | 512, 1024, 2048 | 2048 |
| Loop reset delay | 0-60 seconds | 5 seconds |
| Adapter hard loop ID | Enabled or disabled | Enabled |
| Hard loop ID | 0-125 | 125 |
| Spin up delay | Enabled or disabled | Disabled |
| Connection Options | 0, 1, 2 | 2 |
| Fibre Channel tape support | Disabled, Enabled | Enabled |
| Data rate | 0, 1, 2 | 2 |

Host adapter BIOS: When this option is disabled, the read-only memory (ROM) BIOS code on the Fibre Channel Expansion Card is disabled, freeing space in upper memory. The default is **Disabled**.

Frame size: This setting specifies the maximum frame length supported by the Fibre Channel Expansion Card. The default size is 2048. If you are using F-port (point-to-point) connections, use the default size for maximum performance.

Spin up delay: When this option is enabled, the BIOS code waits up to 5 minutes to find the first drive. The default is **Disabled**.

Connection options: This setting defines the type of connection (loop or point-to-point) or connection preference (see Table 3). The default is **2**.

Table 3. Fibre Channel Expansion Card connection options

| Option | Type of connection |
|--------|---|
| 0 | Loop only |
| 1 | Point-to-point only |
| 2 | Loop preferred; otherwise, point-to-point |

Fibre Channel tape support: This setting is reserved for Fibre Channel tape support. The default is **Enabled**.

Data rate: This setting determines the data rate. The default setting is 2.

Table 4. Fibre Channel Expansion Card data rate options

| Option | Data rate |
|--------|-----------------|
| 0 | 1 GB per second |
| 1 | 2 GB per second |
| 2 | Auto select |

Note: The Fibre Channel Expansion Card settings and default values will vary, based on the version of BIOS code installed for the expansion card.

There are specific Fibre Channel Expansion Card settings that you cannot modify. Table 5 describes these settings and gives examples.

Note: See the device-driver installation instructions for the required operating-system-specific modifications to the NVRAM.

Table 5. Nonmodifiable Fibre Channel Expansion Card settings and examples

| Setting | Example |
|-----------------------|------------------|
| BIOS address | CD400 |
| BIOS revision | 1.38 |
| Adapter serial number | E59719 |
| Interrupt level | 3 |
| Adapter port name | 210000096B07C703 |

BIOS address: The BIOS address is the Fibre Channel Expansion card I/O address where the BIOS code is stored when you press Ctrl+Q. This is the address of the BIOS code in ROM shadow memory.

BIOS revision: The BIOS revision is the revision number of the loaded BIOS code on the Fibre Channel Expansion Card.

Adapter Serial Number: This number is for manufacturing use only. It does not correlate to external labels or to the adapter port name of the Fibre Channel Expansion Card.

Interrupt level: The interrupt level is the interrupt that is used by the Fibre Channel Expansion Card. The interrupt level can change when the operating system is installed.

Adapter port name: This is the worldwide port name of the Fibre Channel Expansion Card.

Selectable Boot Settings

To access this option, select **Selectable Boot Settings**. For more information about boot settings, contact your IBM technical-support representative.

Restore Default Settings

This option is in the **Configuration Settings** menu. It restores the Fibre Channel Expansion Card default NVRAM settings.

Raw NOVRAM data

This option displays the Fibre Channel Expansion Card NVRAM contents in hexadecimal format. This is a troubleshooting tool; you cannot modify the data.

Advanced Adapter Settings

Use this option to view and set advanced adapter settings. The default settings for the Fibre Channel Expansion Card are listed in Table 6 and are described in this section.

Table 6. Fibre Channel Expansion Card advanced adapter settings

| Setting | Options | Default |
|------------------------|----------------------------|-------------|
| Execution throttle | 1-256 | 256 |
| LUNs per target | 0, 8, 16, 32, 64, 128, 256 | 0 |
| Enable LIP reset | Yes or No | No |
| Enable LIP full login | Yes or No | Yes |
| Enable target reset | Yes or No | Yes |
| Login retry count | 0-255 | 30 |
| Port down retry count | 0-255 | 30 |
| IOCB allocation | 1-512 buffers | 256 buffers |
| Extended error logging | Enabled or Disabled | Disabled |
| RIO operation mode | 0, 5, 6 | 0 |
| Interrupt delay timer | 0-255 | 0 |

Execution throttle: This setting specifies the maximum number of commands that can run on any one port. When a port reaches its execution throttle, Fast!UTIL does not run any new commands until the current command is completed. The valid options for this setting are 1 through 256. The default (optimum) is 256.

LUNs per target: This setting specifies the number of logical unit numbers (LUNs) per device. Multiple LUN support is typically for redundant array of independent disks (RAID) enclosures that use LUNs to map drives. The default is **0**.

Enable LIP reset: This setting determines the type of loop initialization process (LIP) reset that is used when the operating system initiates a bus reset routine. When this option is set to **Yes**, the device driver initiates a global LIP reset to clear the target device reservations. When this option is set to **No**, the device driver initiates a global LIP reset with full login. The default is **No**.

Enable LIP full logon: This setting instructs the application specific integrated circuit (ASIC) chip to log in to all ports after any LIP. The default is **Yes**.

Enable target reset: This setting enables the device drivers to issue a Target Reset command to all devices on the loop when a SCSI Bus Reset command is issued. The default is **Yes**.

Login retry count: This setting specifies the number of times the software tries to log in to a device. The default is **30** retries.

Port down retry count: This setting specifies the number of times the software retries a command to a port that is returning port-down status. The default is **30**.

IOCB allocation: This setting specifies the maximum number of buffers from the firmware buffer pool that are allocated to any one port. The default setting is **256**.

Extended error logging: When set to **Enabled**, this setting provides additional error and debugging information to the Microsoft Windows operating system event error log. The default is **Disabled**.

RIO operation mode: This setting specifies the reduced interrupt operation (RIO) mode, if supported by the software device driver. When the expansion card is in the RIO mode you can post multiple command completions in a single interrupt (see Table 7). The default is **0**.

Table 7. Fibre Channel Expansion Card RIO options and operation modes

| Option | Operation mode |
|--------|--|
| 0 | No multiple responses |
| 5 | Multiple responses with minimal interrupts |
| 6 | Interrupt when interruption delay timer expires or no action |

Interrupt delay timer: This setting contains the value (in 100-microsecond increments) used by a timer to set the wait time between accessing a set of handles and generating an interrupt using direct memory access (DMA). The default is 0.

Scan Fibre Channel devices

Use this option to scan and list all the connected devices. Information about each device is listed, for example, vendor name, product name, and revision. This information is useful when you are configuring the Fibre Channel Expansion Card and attached devices.

Fibre Channel disk utility

The Fibre Channel disk utility is not supported in the IBM BladeCenter Fibre Channel Options

Use this option to scan the Fibre Channel loop bus and list all the connected devices by loop ID. You can select a disk device and perform a low-level format or verify the disk media or data.

Attention: Performing a low-level format removes all data on the disk.

Loopback data test

This option is not available with your BladeCenter configuration.

ExitFast!UTIL

After you complete the configuration, use this option to exit the menu and restart the blade server.

Chapter 5. Using IBM FastT MSJ utility

This chapter provides an overview of the IBM FastT MSJ (Management Suite Java™) utility that can be used by advanced users to customize the configuration of the Fibre Channel Expansion Card when it is installed in a BladeCenter JS20 blade server. For more detailed information, see the *IBM FastT Management Suite Java User's Guide* version 1.0 or later that is available at <http://www.ibm.com/pc/support/>.

Overview of the IBM FAStT MSJ utility

The FAStT MSJ utility is used to configure a storage area network (SAN) environment made up of IBM FAStT Fibre Channel host bus adapters (HBAs). It is a network-capable application that can connect to and configure remote systems, enabling centralized management and configuration of an entire SAN containing HBA components, storage devices, and host systems.

You can use IBM FAStT MSJ to manage and control one or more BladeCenter Fibre Channel Expansion Cards that are installed on local or remote systems. The FAStT MSJ utility is used, along with problem determination procedures (PDPs), on new or existing installations to help diagnose Fibre Channel (FC) subsystem problems in adapters, controllers, and devices that are attached to the FC fabric or loop.

You can also perform the following operations using the FAStT MSJ utility to configure devices in your system:

Disable (unconfigure) a device on a host bus adapter

When a device is set as unconfigured, it is not recognized by the HBA and is not accessible to the HBA on that system.

Enable a device

This operation adds a device and makes it accessible to the HBA on that system.

Designate a path as an alternate or preferred path

When a device is accessible from more than one adapter in the same system, you can assign one path as the preferred path and the other path as an alternate path. If the preferred path fails, the system switches to the alternate path to make sure that the transfer of data is not interrupted.

Note: The diagnostic functions of the FAStT MSJ utility are available for all supported operating systems. The configuration functions of the FAStT MSJ utility are available only for Linux operating systems.

Installation and System Requirements

Make sure that you are using the latest version of the IBM FastT MSJ for the IBM @server BladeCenter Fibre Channel Expansion Card. Go to the IBM Support Web site at <http://www.ibm.com/pc/support/> for the latest information about the IBM FastT MSJ utility. The latest instructions and system requirements are in the documentation that come with the utility.

Features

The FASTT MSJ utility lets you:

- Set the FASTT MSJ utility options
- Connect to hosts
- Disconnect from a host
- View detailed event and alarm-log information
- Use host-to-host SAN configuration policies
- Configure port devices
- Use logical unit number (LUN) level configuration
- Monitor in real-time to see when failovers occur, using the Failover Watcher
- Control host-side agent operations, including setting of the host agent polling interval
- Review host adapter information, including:
 - General information
 - Statistics
 - Information about attached devices
 - Link status for attached device
- Perform adapter functions, including:
 - Configuring the adapter NVRAM settings
 - Executing fibre diagnostics (read/write buffer loopback tests)
 - Perform flash updates on an adapter
 - Perform NVRAM updates on an adapter
- Manage configurations:
 - Save configurations for off-line policy checks and SAN integrity
 - Load configurations from a file if the host is off-line for policy checks and SAN integrity
- Confirm security

Utilities

Using the Utilities section of the FastT MSJ utility you can update I/O expansion card firmware and perform adapter-level configurations on a host-connected adapter.

Update flash

When you click **Update Flash** in the Utilities section of the FastT MSJ utility, and the adapter accepts the update, the application prompts for the file name of the new flash BIOS firmware. The latest version of BladeCenter Fibre Channel Expansion Card flash BIOS firmware is available from the IBM Support Web site at <http://www.ibm.com/pc/support/>. The flash BIOS firmware file name ends with .bin (for example, QL2312RM.bin).

After you enter a valid flash BIOS firmware file name, click **OK** to complete with the update, or click **Cancel** to abort. When you click **OK**, the FASTT MSJ utility verifies the file name and format of the new file. If the file is valid, the application then compares the version of the file with the adapter flash version that is currently installed. If the installed adapter version is the same or newer than the file flash version you are trying to install, the application asks if you still want to update the flash.

If the firmware update fails, an error message is displayed.

Update NVRAM

When you click **Update NVRAM** in the Utilities section of the FastT MSJ utility, and the adapter accepts the update, the application prompts for the file name of the new NVRAM firmware. The latest version of BladeCenter Fibre Channel Expansion Card NVRAM firmware is available from the IBM Support Web site at <http://www.ibm.com/pc/support/>. The NVRAM firmware file name ends with .dat (for example, nvram23.dat).

After you enter a valid NVRAM firmware file name, click **OK** to complete with the update, or click **Cancel** to abort. When you click **OK**, the FASTT MSJ utility verifies the content of the new file and then updates the firmware.

If the firmware update fails, an error message is displayed.

Note: Updating NVRAM firmware resets the configuration to default settings. After updating NVRAM firmware, all custom configuration settings will need to be entered again.

Chapter 6. Troubleshooting

If you are having a problem, use the following information to help you determine the cause of the problem and the action to take. Additional troubleshooting and debugging procedures are available in the *Hardware Maintenance Manual and Troubleshooting Guide* for your blade server.

Make sure you are using the latest versions of device drivers, firmware, and BIOS for your blade server and management module. If these items are obsolete, the BladeCenter unit might not recognize the I/O expansion card and might not turn it on. Go to the IBM Support Web site, <http://www.ibm.com/pc/support/> for the latest information about upgrading the device drivers, firmware, and BIOS for BladeCenter components. The latest instructions are in the documentation that come with the updates.

To determine whether your installation problem is caused by the hardware, perform the following tasks:

- Verify that the I/O expansion card is installed correctly.
- Verify that the Fast!UTIL data-rate setting is correct:
 - if the I/O expansion card is installed in a BladeCenter HS20 or HS40 blade server, see “Host Adapter Settings” on page 17.
 - if the I/O expansion card is installed in a BladeCenter JS20 blade server, see the *IBM FastT Management Suite Java User’s Guide* version 1.0 or later that is available at <http://www.ibm.com/pc/support/>.
- Verify that all peripheral devices connected to the I/O modules are turned on, operating properly, and are properly connected:
 - if the I/O expansion card is installed in a BladeCenter HS20 or HS40 blade server, see “Scan Fibre Channel devices” on page 22 for information about displaying attached Fibre Channel devices.
 - if the I/O expansion card is installed in a BladeCenter JS20 blade server, see the *IBM FastT Management Suite Java User’s Guide* version 1.0 or later that is available at <http://www.ibm.com/pc/support/>.
- Verify that one or two I/O modules that support fibre channel operation are installed in the correct I/O-module bays of the BladeCenter unit.

To determine whether your installation problem is caused by the software, perform the following tasks:

- Verify that the correct device driver is installed. To download or get information about the latest supported device drivers, utilities, and documentation, go to <http://www.ibm.com/pc/support/>. Also see the *Installation and User’s Guide* for your blade server for additional information.
- Verify that the BIOS code in the expansion card is at the latest level.

- Verify that you have the correct expansion card NVRAM settings for your storage area network (SAN) and operating system.

To determine whether your installation problem is caused by the system configuration, check the blade server to ensure that it is configured properly:

- if the I/O expansion card is installed in a BladeCenter HS20 or HS40 blade server, see “Configuration Settings menu options” on page 17. for additional information.
- if the I/O expansion card is installed in a BladeCenter JS20 blade server, see the *IBM FastT Management Suite Java User’s Guide* version 1.0 or later that is available at <http://www.ibm.com/pc/support/>.

If you still have a system configuration problem, see the documentation that comes with your IBM BladeCenter unit, or contact your IBM technical-support representative to determine whether your system board requires a special configuration.

To determine whether your installation problem is caused by an attached Fibre Channel device, perform the following tasks:

- Verify that an I/O module that supports fibre channel operation is installed in I/O-module bay 3, I/O-module bay 4, or both I/O-module bays 3 and 4.
- Verify that the blade server is turned on.
- Verify that the BladeCenter Expansion Card settings are set to the correct values:
 - if the I/O expansion card is installed in a BladeCenter HS20 or HS40 blade server, see “Configuration Settings menu options” on page 17. for additional information.
 - if the I/O expansion card is installed in a BladeCenter JS20 blade server, see the *IBM FastT Management Suite Java User’s Guide* version 1.0 or later that is available at <http://www.ibm.com/pc/support/>.

Appendix A. Getting help and technical assistance

If you need help, service, or technical assistance or just want more information about IBM products, you will find a wide variety of sources available from IBM to assist you. This appendix contains information about where to go for additional information about IBM and IBM products, what to do if you experience a problem with your xSeries or IntelliStation® system, and whom to call for service, if it is necessary.

Before you call

Before you call, make sure that you have taken these steps to try to solve the problem yourself:

- Check all cables to make sure that they are connected.
- Check the power switches to make sure that the system is turned on.
- Use the troubleshooting information in your system documentation, and use the diagnostic tools that come with your system. Information about diagnostic tools is in the *Hardware Maintenance Manual and Troubleshooting Guide* on the *IBM xSeries Documentation CD* or in the *IntelliStation Hardware Maintenance Manual* at the IBM Support Web site.
- Go to the IBM Support Web site at <http://www.ibm.com/pc/support/> to check for technical information, hints, tips, and new device drivers or to submit a request for information.

You can solve many problems without outside assistance by following the troubleshooting procedures that IBM provides in the online help or in the documents that are provided with your system and software. The information that comes with your system also describes the diagnostic tests that you can perform. Most xSeries and IntelliStation systems, operating systems, and programs come with information that contains troubleshooting procedures and explanations of error messages and error codes. If you suspect a software problem, see the information for the operating system or program.

Using the documentation

Information about your IBM xSeries or IntelliStation system and preinstalled software, if any, is available in the documentation that comes with your system. That documentation includes printed books, online books, readme files, and help files. See the troubleshooting information in your system documentation for instructions for using the diagnostic programs. The troubleshooting information or the diagnostic programs might tell you that you need additional or updated device drivers or other software. IBM maintains pages on the World Wide Web where you can get the latest technical

information and download device drivers and updates. To access these pages, go to <http://www.ibm.com/pc/support/> and follow the instructions. Also, you can order documentation through the IBM Publications Ordering System at <http://www.elink.ibm.com/public/applications/publications/cgibin/pbi.cgi>.

Getting help and information from the World Wide Web

On the World Wide Web, the IBM Web site has up-to-date information about IBM xSeries and IntelliStation products, services, and support. The address for IBM xSeries information is <http://www.ibm.com/eserver/xseries/>. The address for IBM IntelliStation information is <http://www.ibm.com/pc/intellistation/>.

You can find service information for your IBM products, including supported options, at <http://www.ibm.com/pc/support/>.

Software service and support

Through IBM Support Line, you can get telephone assistance, for a fee, with usage, configuration, and software problems with xSeries servers, IntelliStation workstations, and appliances. For information about which products are supported by Support Line in your country or region, go to <http://www.ibm.com/services/sl/products/>.

For more information about Support Line and other IBM services, go to <http://www.ibm.com/services/>, or go to <http://www.ibm.com/planetwide/> for support telephone numbers. In the U.S. and Canada, call 1-800-IBM-SERV (1-800-426-7378).

Hardware service and support

You can receive hardware service through IBM Services or through your IBM reseller, if your reseller is authorized by IBM to provide warranty service. Go to <http://www.ibm.com/planetwide/> for support telephone numbers, or in the U.S. and Canada, call 1-800-IBM-SERV (1-800-426-7378).

In the U.S. and Canada, hardware service and support is available 24 hours a day, 7 days a week. In the U.K., these services are available Monday through Friday, from 9 a.m. to 6 p.m.

Appendix B. IBM Statement of Limited Warranty Z125-4753-07 11/2002

Part 1 - General Terms

Part 1 - General Terms

*This Statement of Limited Warranty includes Part 1 - General Terms, Part 2 - Country-unique Terms, and Part 3 - Warranty Information. The terms of Part 2 replace or modify those of Part 1. The warranties provided by IBM in this Statement of Limited Warranty apply only to Machines you purchase for your use, and not for resale. The term "Machine" means an IBM machine, its features, conversions, upgrades, elements, or accessories, or any combination of them. The term "Machine" does not include any software programs, whether pre-loaded with the Machine, installed subsequently or otherwise. **Nothing in this Statement of Limited Warranty affects any statutory rights of consumers that cannot be waived or limited by contract.***

What this Warranty Covers

IBM warrants that each Machine 1) is free from defects in materials and workmanship and 2) conforms to IBM's Official Published Specifications ("Specifications") which are available on request. The warranty period for the Machine starts on the original Date of Installation and is specified in Part 3 - Warranty Information. The date on your invoice or sales receipt is the Date of Installation unless IBM or your reseller informs you otherwise. Many features, conversions, or upgrades involve the removal of parts and their return to IBM. A part that replaces a removed part will assume the warranty service status of the removed part. Unless IBM specifies otherwise, these warranties apply only in the country or region in which you purchased the Machine.

THESE WARRANTIES ARE YOUR EXCLUSIVE WARRANTIES AND REPLACE ALL OTHER WARRANTIES OR CONDITIONS, EXPRESS OR IMPLIED, INCLUDING, BUT NOT LIMITED TO, THE IMPLIED WARRANTIES OR CONDITIONS OF MERCHANTABILITY AND FITNESS FOR A PARTICULAR PURPOSE. SOME STATES OR JURISDICTIONS DO NOT ALLOW THE EXCLUSION OF EXPRESS OR IMPLIED WARRANTIES, SO THE ABOVE EXCLUSION MAY NOT APPLY TO YOU. IN THAT EVENT, SUCH WARRANTIES ARE LIMITED IN DURATION TO THE WARRANTY PERIOD. NO WARRANTIES APPLY AFTER THAT PERIOD. SOME STATES OR JURISDICTIONS DO NOT ALLOW LIMITATIONS ON HOW LONG AN IMPLIED WARRANTY LASTS, SO THE ABOVE LIMITATION MAY NOT APPLY TO YOU.

What this Warranty Does not Cover

This warranty does not cover the following:

- any software programs, whether pre-loaded or shipped with the Machine, or installed subsequently;
- failure resulting from misuse (including but not limited to use of any Machine capacity or capability, other than that authorized by IBM in writing), accident, modification, unsuitable physical or operating environment, or improper maintenance by you;
- failure caused by a product for which IBM is not responsible; and
- any non-IBM products, including those that IBM may procure and provide with or integrate into an IBM Machine at your request.

The warranty is voided by removal or alteration of identification labels on the Machine or its parts.

IBM does not warrant uninterrupted or error-free operation of a Machine.

Any technical or other support provided for a Machine under warranty, such as assistance via telephone with “how-to” questions and those regarding Machine set-up and installation, is provided **WITHOUT WARRANTIES OF ANY KIND**.

How to Obtain Warranty Service

If the Machine does not function as warranted during the warranty period, contact IBM or your reseller to obtain warranty service. If you do not register the Machine with IBM, you may be required to present proof of purchase as evidence of your entitlement to warranty service.

What IBM Will Do to Correct Problems

When you call for service, you must follow the problem determination and resolution procedures that IBM specifies. A technician will attempt to make an initial diagnosis of your problem and help you resolve it over the telephone.

The type of warranty service applicable to your Machine is specified in Part 3 - Warranty Information.

You are responsible for downloading and installing designated Machine Code (microcode, basic input/output system code (called “BIOS”), utility programs, device drivers, and diagnostics delivered with an IBM Machine) and other software updates from an IBM Internet Web site or from other electronic media, and following the instructions that IBM provides.

If your problem can be resolved with a Customer Replaceable Unit (“CRU”) (e.g., keyboard, mouse, speaker, memory, hard disk drive and other easily replaceable parts), IBM will ship these parts to you for replacement by you.

If the Machine does not function as warranted during the warranty period and your problem cannot be resolved over the telephone, through your application of Machine Code or software updates, or with a CRU, IBM or your reseller, if approved by IBM to provide warranty service, will either, at its discretion, 1) repair it to make it function as warranted, or 2) replace it with one that is at least functionally equivalent. If IBM is unable to do either, you may return the Machine to your place of purchase and your money will be refunded.

IBM or your reseller will also manage and install selected engineering changes that apply to the Machine.

Exchange of a Machine or Part

When the warranty service involves the exchange of a Machine or part, the item IBM or your reseller replaces becomes its property and the replacement becomes yours. You represent that all removed items are genuine and unaltered. The replacement may not be new, but will be in good working order and at least functionally equivalent to the item replaced. The replacement assumes the warranty service status of the replaced item.

Your Additional Responsibilities

Before IBM or your reseller exchanges a Machine or part, you agree to remove all features, parts, options, alterations, and attachments not under warranty service.

You also agree to:

1. ensure that the Machine is free of any legal obligations or restrictions that prevent its exchange;
2. obtain authorization from the owner to have IBM or your reseller service a Machine that you do not own; and
3. where applicable, before service is provided:
 - a. follow the service request procedures that IBM or your reseller provides;
 - b. backup or secure all programs, data, and funds contained in the Machine;
 - c. provide IBM or your reseller with sufficient, free, and safe access to your facilities to permit IBM to fulfill its obligations; and
 - d. inform IBM or your reseller of changes in the Machine's location.
4. (a) ensure all information about identified or identifiable individuals (Personal Data) is deleted from the Machine (to the extent technically possible), (b) allow IBM, your reseller or an IBM supplier to process on your behalf any remaining Personal Data as IBM or your reseller considers necessary to fulfill its obligations under this Statement of Limited Warranty (which may include shipping the Machine for such processing to other IBM

service locations around the world), and (c) ensure that such processing complies with any laws applicable to such Personal Data.

Limitation of Liability

IBM is responsible for loss of, or damage to, your Machine only while it is 1) in IBM’s possession or 2) in transit in those cases where IBM is responsible for the transportation charges.

Neither IBM nor your reseller are responsible for any of your confidential, proprietary or personal information contained in a Machine which you return to IBM for any reason. You should remove all such information from the Machine prior to its return.

Circumstances may arise where, because of a default on IBM’s part or other liability, you are entitled to recover damages from IBM. In each such instance, regardless of the basis on which you are entitled to claim damages from IBM (including fundamental breach, negligence, misrepresentation, or other contract or tort claim), except for any liability that cannot be waived or limited by applicable laws, IBM is liable for no more than

1. damages for bodily injury (including death) and damage to real property and tangible personal property; and
2. the amount of any other actual direct damages, up to the charges (if recurring, 12 months’ charges apply) for the Machine that is subject of the claim. For purposes of this item, the term “Machine” includes Machine Code and Licensed Internal Code (“LIC”).

This limit also applies to IBM’s suppliers and your reseller. It is the maximum for which IBM, its suppliers, and your reseller are collectively responsible.

UNDER NO CIRCUMSTANCES IS IBM, ITS SUPPLIERS OR RESELLERS LIABLE FOR ANY OF THE FOLLOWING EVEN IF INFORMED OF THEIR POSSIBILITY: 1) THIRD PARTY CLAIMS AGAINST YOU FOR DAMAGES (OTHER THAN THOSE UNDER THE FIRST ITEM LISTED ABOVE); 2) LOSS OF, OR DAMAGE TO, DATA; 3) SPECIAL, INCIDENTAL, OR INDIRECT DAMAGES OR FOR ANY ECONOMIC CONSEQUENTIAL DAMAGES; OR 4) LOST PROFITS, BUSINESS REVENUE, GOODWILL OR ANTICIPATED SAVINGS. SOME STATES OR JURISDICTIONS DO NOT ALLOW THE EXCLUSION OR LIMITATION OF INCIDENTAL OR CONSEQUENTIAL DAMAGES, SO THE ABOVE LIMITATION OR EXCLUSION MAY NOT APPLY TO YOU. SOME STATES OR JURISDICTIONS DO NOT ALLOW LIMITATIONS ON HOW LONG AN IMPLIED WARRANTY LASTS, SO THE ABOVE LIMITATION MAY NOT APPLY TO YOU.

Governing Law

Both you and IBM consent to the application of the laws of the country in which you acquired the Machine to govern, interpret, and enforce all of your and IBM's rights, duties, and obligations arising from, or relating in any manner to, the subject matter of this Statement of Limited Warranty, without regard to conflict of law principles.

THESE WARRANTIES GIVE YOU SPECIFIC LEGAL RIGHTS AND YOU MAY ALSO HAVE OTHER RIGHTS WHICH VARY FROM STATE TO STATE OR JURISDICTION TO JURISDICTION.

Jurisdiction

All of our rights, duties, and obligations are subject to the courts of the country in which you acquired the Machine.

Part 2 - Country-unique Terms

AMERICAS

ARGENTINA

Governing Law: *The following is added after the first sentence:*

Any litigation arising from this Statement of Limited Warranty will be settled exclusively by the Ordinary Commercial Court of the city of Buenos Aires.

BRAZIL

Governing Law: *The following is added after the first sentence:*

Any litigation arising from this Statement of Limited Warranty will be settled exclusively by the court of Rio de Janeiro, RJ.

PERU

Limitation of Liability: *The following is added at the end of this section:*

In accordance with Article 1328 of the Peruvian Civil Code the limitations and exclusions specified in this section will not apply to damages caused by IBM's willful misconduct ("dolo") or gross negligence ("culpa inexcusable").

NORTH AMERICA

How to Obtain Warranty Service: *The following is added to this Section:*

To obtain warranty service from IBM in Canada or the United States, call 1-800-IBM-SERV (426-7378).

CANADA

Limitation of Liability: *The following replaces item 1 of this section:*

1. damages for bodily injury (including death) or physical harm to real property and tangible personal property caused by IBM's negligence; and

Governing Law: *The following replaces "laws of the country in which you acquired the Machine" in the first sentence:*

laws in the Province of Ontario.

UNITED STATES

Governing Law: *The following replaces "laws of the country in which you acquired the Machine" in the first sentence:*

laws of the State of New York.

ASIA PACIFIC

AUSTRALIA

What this Warranty Covers: *The following paragraph is added to this section:*

The warranties specified in this Section are in addition to any rights you may have under the Trade Practices Act 1974 or other similar legislation and are only limited to the extent permitted by the applicable legislation.

Limitation of Liability: *The following is added to this section:*

Where IBM is in breach of a condition or warranty implied by the Trade Practices Act 1974 or other similar legislation, IBM's liability is limited to the repair or replacement of the goods or the supply of equivalent goods. Where that condition or warranty relates to right to sell, quiet possession or clear title, or the goods are of a kind ordinarily acquired for personal, domestic or household use or consumption, then none of the limitations in this paragraph apply.

Governing Law: *The following replaces "laws of the country in which you acquired the Machine" in the first sentence:*

laws of the State or Territory.

CAMBODIA, LAOS, AND VIETNAM

Governing Law: *The following replaces "laws of the country in which you acquired the Machine" in the first sentence:*

laws of the State of New York, United States of America.

CAMBODIA, INDONESIA, LAOS, AND VIETNAM

Arbitration: *The following is added under this heading:*

Disputes arising out of or in connection with this Statement of Limited Warranty shall be finally settled by arbitration which shall be held in Singapore in accordance with the Arbitration Rules of Singapore International Arbitration Center (“SIAC Rules”) then in effect. The arbitration award shall be final and binding for the parties without appeal and shall be in writing and set forth the findings of fact and the conclusions of law.

The number of arbitrators shall be three, with each side to the dispute being entitled to appoint one arbitrator. The two arbitrators appointed by the parties shall appoint a third arbitrator who shall act as chairman of the proceedings. Vacancies in the post of chairman shall be filled by the president of the SIAC. Other vacancies shall be filled by the respective nominating party. Proceedings shall continue from the stage they were at when the vacancy occurred.

If one of the parties refuses or otherwise fails to appoint an arbitrator within 30 days of the date the other party appoints its, the first appointed arbitrator shall be the sole arbitrator, provided that the arbitrator was validly and properly appointed.

All proceedings shall be conducted, including all documents presented in such proceedings, in the English language. The English language version of this Statement of Limited Warranty prevails over any other language version.

HONG KONG S.A.R. OF CHINA AND MACAU S.A.R. OF CHINA

Governing Law: *The following replaces “laws of the country in which you acquired the Machine” in the first sentence:*

laws of Hong Kong Special Administrative Region of China.

INDIA

Limitation of Liability: *The following replaces items 1 and 2 of this section:*

1. liability for bodily injury (including death) or damage to real property and tangible personal property will be limited to that caused by IBM’s negligence; and
2. as to any other actual damage arising in any situation involving nonperformance by IBM pursuant to, or in any way related to the subject of this Statement of Limited Warranty, the charge paid by you for the individual Machine that is the subject of the claim. For purposes of this item, the term “Machine” includes Machine Code and Licensed Internal Code (“LIC”).

Arbitration: *The following is added under this heading:*

Disputes arising out of or in connection with this Statement of Limited Warranty shall be finally settled by arbitration which shall be held in Bangalore, India in accordance with the laws of India then in effect. The arbitration award shall be final and binding for the parties without appeal and shall be in writing and set forth the findings of fact and the conclusions of law.

The number of arbitrators shall be three, with each side to the dispute being entitled to appoint one arbitrator. The two arbitrators appointed by the parties shall appoint a third arbitrator who shall act as chairman of the proceedings. Vacancies in the post of chairman shall be filled by the president of the Bar Council of India. Other vacancies shall be filled by the respective nominating party. Proceedings shall continue from the stage they were at when the vacancy occurred.

If one of the parties refuses or otherwise fails to appoint an arbitrator within 30 days of the date the other party appoints its, the first appointed arbitrator shall be the sole arbitrator, provided that the arbitrator was validly and properly appointed.

All proceedings shall be conducted, including all documents presented in such proceedings, in the English language. The English language version of this Statement of Limited Warranty prevails over any other language version.

JAPAN

Governing Law: *The following sentence is added to this section:*

Any doubts concerning this Statement of Limited Warranty will be initially resolved between us in good faith and in accordance with the principle of mutual trust.

MALAYSIA

Limitation of Liability: *The word "SPECIAL" in item 3 of the fifth paragraph is deleted.*

NEW ZEALAND

What this Warranty Covers: *The following paragraph is added to this section:*

The warranties specified in this section are in addition to any rights you may have under the Consumer Guarantees Act 1993 or other legislation which cannot be excluded or limited. The Consumer Guarantees Act 1993 will not apply in respect of any goods which IBM provides, if you require the goods for the purposes of a business as defined in that Act.

Limitation of Liability: *The following is added to this section:*

Where Machines are not acquired for the purposes of a business as defined in the Consumer Guarantees Act 1993, the limitations in this section are subject to the limitations in that Act.

PEOPLE'S REPUBLIC OF CHINA (PRC)

Governing Law: *The following replaces "laws of the country in which you acquired the Machine" in the first sentence:*

laws of the State of New York, United States of America (except when local law requires otherwise).

PHILIPPINES

Limitation of Liability: *Item 3 in the fifth paragraph is replaced by the following:*

SPECIAL (INCLUDING NOMINAL AND EXEMPLARY DAMAGES), MORAL, INCIDENTAL, OR INDIRECT DAMAGES FOR ANY ECONOMIC CONSEQUENTIAL DAMAGES; OR

Arbitration: *The following is added under this heading:*

Disputes arising out of or in connection with this Statement of Limited Warranty shall be finally settled by arbitration which shall be held in Metro Manila, Philippines in accordance with the laws of the Philippines then in effect. The arbitration award shall be final and binding for the parties without appeal and shall be in writing and set forth the findings of fact and the conclusions of law.

The number of arbitrators shall be three, with each side to the dispute being entitled to appoint one arbitrator. The two arbitrators appointed by the parties shall appoint a third arbitrator who shall act as chairman of the proceedings. Vacancies in the post of chairman shall be filled by the president of the Philippine Dispute Resolution Center, Inc. Other vacancies shall be filled by the respective nominating party. Proceedings shall continue from the stage they were at when the vacancy occurred.

If one of the parties refuses or otherwise fails to appoint an arbitrator within 30 days of the date the other party appoints its, the first appointed arbitrator shall be the sole arbitrator, provided that the arbitrator was validly and properly appointed.

All proceedings shall be conducted, including all documents presented in such proceedings, in the English language. The English language version of this Statement of Limited Warranty prevails over any other language version.

SINGAPORE

Limitation of Liability: *The words “SPECIAL” and “ECONOMIC” in item 3 in the fifth paragraph are deleted.*

EUROPE, MIDDLE EAST, AFRICA (EMEA)

THE FOLLOWING TERMS APPLY TO ALL EMEA COUNTRIES:

The terms of this Statement of Limited Warranty apply to Machines purchased from IBM or an IBM reseller.

How to Obtain Warranty Service: If you purchase a Machine in Austria, Belgium, Cyprus, Denmark, Estonia, Finland, France, Germany, Greece, Iceland, Ireland, Italy, Latvia, Liechtenstein, Lithuania, Luxembourg, Monaco, Netherlands, Norway, Portugal, Spain, San Marino, Sweden, Switzerland, United Kingdom or Vatican State, you may obtain warranty service for that Machine in any of those countries from either (1) an IBM reseller approved to perform warranty service or (2) from IBM, provided the Machine has been announced and made available by IBM in the country in which you wish to obtain service. If you purchased a Personal Computer Machine in Albania, Armenia, Belarus, Bosnia and Herzegovina, Bulgaria, Croatia, Czech Republic, Georgia, Hungary, Kazakhstan, Kyrgyzstan, Federal Republic of Yugoslavia, Former Yugoslav Republic of Macedonia (FYROM), Moldova, Poland, Romania, Russia, Slovak Republic, Slovenia, or Ukraine, you may obtain warranty service for that Machine in any of those countries from either (1) an IBM reseller approved to perform warranty service or (2) from IBM.

If you purchase a Machine in a Middle Eastern or African country, you may obtain warranty service for that Machine from the IBM entity within the country of purchase, if that IBM entity provides warranty service in that country, or from an IBM reseller, approved by IBM to perform warranty service on that Machine in that country. Warranty service in Africa is available within 50 kilometers of an IBM approved service provider. You are responsible for transportation costs for Machines located outside 50 kilometers of an IBM approved service provider.

*Add the following paragraph in **Western Europe** (Austria, Belgium, Cyprus, Denmark, Finland, France, Germany, Greece, Iceland, Ireland, Italy, Liechtenstein, Luxembourg, Monaco, Netherlands, Norway, Portugal, Spain, San Marino, Sweden, Switzerland, United Kingdom, Vatican State):*

The warranty for Machines acquired in Western Europe shall be valid and applicable in all Western Europe countries provided the Machines have been announced and made available in such countries.

Governing Law:

The phrase “the laws of the country in which you acquired the Machine” is replaced by:

1) “the laws of Austria” in **Albania, Armenia, Azerbaijan, Belarus, Bosnia-Herzegovina, Bulgaria, Croatia, Georgia, Hungary, Kazakhstan, Kyrgyzstan, FYR Macedonia, Moldova, Poland, Romania, Russia, Slovakia, Slovenia, Tajikistan, Turkmenistan, Ukraine, Uzbekistan, and FR Yugoslavia;** 2) “the laws of France” in **Algeria, Benin, Burkina Faso, Cameroon, Cape Verde, Central African Republic, Chad, Comoros, Congo Republic, Djibouti, Democratic Republic of Congo, Equatorial Guinea, French Guiana, French Polynesia, Gabon, Gambia, Guinea, Guinea-Bissau, Ivory Coast, Lebanon, Madagascar, Mali, Mauritania, Mauritius, Mayotte, Morocco, New Caledonia, Niger, Reunion, Senegal, Seychelles, Togo, Tunisia, Vanuatu, and Wallis & Futuna;** 3) “the laws of Finland” in **Estonia, Latvia, and Lithuania;** 4) “the laws of England” in **Angola, Bahrain, Botswana, Burundi, Egypt, Eritrea, Ethiopia, Ghana, Jordan, Kenya, Kuwait, Liberia, Malawi, Malta, Mozambique, Nigeria, Oman, Pakistan, Qatar, Rwanda, Sao Tome, Saudi Arabia, Sierra Leone, Somalia, Tanzania, Uganda, United Arab Emirates, the United Kingdom, West Bank/Gaza, Yemen, Zambia, and Zimbabwe;** and 5) “the laws of South Africa” in **South Africa, Namibia, Lesotho and Swaziland.**

Jurisdiction: *The following exceptions are added to this section:*

1) In **Austria** the choice of jurisdiction for all disputes arising out of this Statement of Limited Warranty and relating thereto, including its existence, will be the competent court of law in Vienna, Austria (Inner-City); 2) in **Angola, Bahrain, Botswana, Burundi, Egypt, Eritrea, Ethiopia, Ghana, Jordan, Kenya, Kuwait, Liberia, Malawi, Malta, Mozambique, Nigeria, Oman, Pakistan, Qatar, Rwanda, Sao Tome, Saudi Arabia, Sierra Leone, Somalia, Tanzania, Uganda, United Arab Emirates, West Bank/Gaza, Yemen, Zambia, and Zimbabwe** all disputes arising out of this Statement of Limited Warranty or related to its execution, including summary proceedings, will be submitted to the exclusive jurisdiction of the English courts; 3) in **Belgium and Luxembourg**, all disputes arising out of this Statement of Limited Warranty or related to its interpretation or its execution, the law, and the courts of the capital city, of the country of your registered office and/or commercial site location only are competent; 4) in **France, Algeria, Benin, Burkina Faso, Cameroon, Cape Verde, Central African Republic, Chad, Comoros, Congo Republic, Djibouti, Democratic Republic of Congo, Equatorial Guinea, French Guiana, French Polynesia, Gabon, Gambia, Guinea, Guinea-Bissau, Ivory Coast, Lebanon, Madagascar, Mali, Mauritania, Mauritius, Mayotte, Morocco, New Caledonia, Niger, Reunion, Senegal, Seychelles, Togo, Tunisia, Vanuatu, and Wallis & Futuna** all disputes arising out of this Statement of Limited Warranty or related to its violation or execution, including summary proceedings, will be settled exclusively by the Commercial Court of Paris; 5) in **Russia**, all disputes arising out of or in relation to the interpretation, the violation, the termination, the nullity of the execution of this Statement of

Limited Warranty shall be settled by Arbitration Court of Moscow; 6) **in South Africa, Namibia, Lesotho and Swaziland**, both of us agree to submit all disputes relating to this Statement of Limited Warranty to the jurisdiction of the High Court in Johannesburg; 7) **in Turkey** all disputes arising out of or in connection with this Statement of Limited Warranty shall be resolved by the Istanbul Central (Sultanahmet) Courts and Execution Directorates of Istanbul, the Republic of Turkey; 8) in each of the following specified countries, any legal claim arising out of this Statement of Limited Warranty will be brought before, and settled exclusively by, the competent court of a) Athens for **Greece**, b) Tel Aviv-Jaffa for **Israel**, c) Milan for **Italy**, d) Lisbon for **Portugal**, and e) Madrid for **Spain**; and 9) **in the United Kingdom**, both of us agree to submit all disputes relating to this Statement of Limited Warranty to the jurisdiction of the English courts.

Arbitration: *The following is added under this heading:*

In Albania, Armenia, Azerbaijan, Belarus, Bosnia-Herzegovina, Bulgaria, Croatia, Georgia, Hungary, Kazakhstan, Kyrgyzstan, FYR Macedonia, Moldova, Poland, Romania, Russia, Slovakia, Slovenia, Tajikistan, Turkmenistan, Ukraine, Uzbekistan, and FR Yugoslavia all disputes arising out of this Statement of Limited Warranty or related to its violation, termination or nullity will be finally settled under the Rules of Arbitration and Conciliation of the International Arbitral Center of the Federal Economic Chamber in Vienna (Vienna Rules) by three arbitrators appointed in accordance with these rules. The arbitration will be held in Vienna, Austria, and the official language of the proceedings will be English. The decision of the arbitrators will be final and binding upon both parties. Therefore, pursuant to paragraph 598 (2) of the Austrian Code of Civil Procedure, the parties expressly waive the application of paragraph 595 (1) figure 7 of the Code. IBM may, however, institute proceedings in a competent court in the country of installation.

In Estonia, Latvia and Lithuania all disputes arising in connection with this Statement of Limited Warranty will be finally settled in arbitration that will be held in Helsinki, Finland in accordance with the arbitration laws of Finland then in effect. Each party will appoint one arbitrator. The arbitrators will then jointly appoint the chairman. If arbitrators cannot agree on the chairman, then the Central Chamber of Commerce in Helsinki will appoint the chairman.

EUROPEAN UNION (EU)

THE FOLLOWING TERMS APPLY TO ALL EU COUNTRIES:

Consumers have legal rights under applicable national legislation governing the sale of consumer goods. Such rights are not affected by the warranties provided in this Statement of Limited Warranty.

How to Obtain Warranty Service: *The following is added to this section:*

To obtain warranty service from IBM in EU countries, see the telephone listing in Part 3 - Warranty Information.

You may contact IBM at the following address:

IBM Warranty & Service Quality Dept.
PO Box 30
Spango Valley
Greenock
Scotland PA16 0AH

AUSTRIA, DENMARK, FINLAND, GREECE, ITALY, NETHERLANDS, PORTUGAL, SPAIN, SWEDEN AND SWITZERLAND

Limitation of Liability: *The following replaces the terms of this section in its entirety:*

Except as otherwise provided by mandatory law:

1. IBM's liability for any damages and losses that may arise as a consequence of the fulfillment of its obligations under or in connection with this Statement of Limited Warranty or due to any other cause related to this Statement of Limited Warranty is limited to the compensation of only those damages and losses proved and actually arising as an immediate and direct consequence of the non-fulfillment of such obligations (if IBM is at fault) or of such cause, for a maximum amount equal to the charges you paid for the Machine. For purposes of this item, the term "Machine" includes Machine Code and Licensed Internal Code ("LIC").

The above limitation shall not apply to damages for bodily injuries (including death) and damages to real property and tangible personal property for which IBM is legally liable.

2. **UNDER NO CIRCUMSTANCES IS IBM, ITS SUPPLIERS OR RESELLERS LIABLE FOR ANY OF THE FOLLOWING, EVEN IF INFORMED OF THEIR POSSIBILITY: 1) LOSS OF, OR DAMAGE TO, DATA; 2) INCIDENTAL OR INDIRECT DAMAGES, OR FOR ANY ECONOMIC CONSEQUENTIAL DAMAGES; 3) LOST PROFITS, EVEN IF THEY ARISE AS AN IMMEDIATE CONSEQUENCE OF THE EVENT THAT GENERATED THE DAMAGES; OR 4) LOSS OF BUSINESS, REVENUE, GOODWILL, OR ANTICIPATED SAVINGS.**

FRANCE AND BELGIUM

Limitation of Liability: *The following replaces the terms of this section in its entirety:*

Except as otherwise provided by mandatory law:

1. IBM's liability for any damages and losses that may arise as a consequence of the fulfillment of its obligations under or in connection with this Statement of Limited Warranty is limited to the compensation of only those damages and losses proved and actually arising as an immediate and direct consequence of the non-fulfillment of such obligations (if IBM is at fault), for a maximum amount equal to the charges you paid for the Machine that has caused the damages. For purposes of this item, the term "Machine" includes Machine Code and Licensed Internal Code ("LIC").

The above limitation shall not apply to damages for bodily injuries (including death) and damages to real property and tangible personal property for which IBM is legally liable.

2. **UNDER NO CIRCUMSTANCES IS IBM, ITS SUPPLIERS OR RESELLERS LIABLE FOR ANY OF THE FOLLOWING, EVEN IF INFORMED OF THEIR POSSIBILITY: 1) LOSS OF, OR DAMAGE TO, DATA; 2) INCIDENTAL OR INDIRECT DAMAGES, OR FOR ANY ECONOMIC CONSEQUENTIAL DAMAGES; 3) LOST PROFITS, EVEN IF THEY ARISE AS AN IMMEDIATE CONSEQUENCE OF THE EVENT THAT GENERATED THE DAMAGES; OR 4) LOSS OF BUSINESS, REVENUE, GOODWILL, OR ANTICIPATED SAVINGS.**

THE FOLLOWING TERMS APPLY TO THE COUNTRY SPECIFIED:

AUSTRIA

What this Warranty Covers: *The following replaces the first sentence of the first paragraph of this section:*

The warranty for an IBM Machine covers the functionality of the Machine for its normal use and the Machine's conformity to its Specifications.

The following paragraphs are added to this section:

The warranty period for Machines is 12 months from the date of delivery. The limitation period for consumers in action for breach of warranty is the statutory period as a minimum. In case IBM or your reseller is unable to repair an IBM Machine, you can alternatively ask for a partial refund as far as justified by the reduced value of the unrepaired Machine or ask for a cancellation of the respective agreement for such Machine and get your money refunded.

The second paragraph does not apply.

What IBM Will Do to Correct Problems: *The following is added to this section:*

During the warranty period, transportation for delivery of the failing Machine to IBM will be at IBM's expense.

Limitation of Liability: *The following paragraph is added to this section:*

The limitations and exclusions specified in the Statement of Limited Warranty will not apply to damages caused by IBM with fraud or gross negligence and for express warranty.

The following sentence is added to the end of item 2:

IBM's liability under this item is limited to the violation of essential contractual terms in cases of ordinary negligence.

EGYPT

Limitation of Liability: *The following replaces item 2 in this section:*

as to any other actual direct damages, IBM's liability will be limited to the total amount you paid for the Machine that is the subject of the claim. For purposes of this item, the term "Machine" includes Machine Code and Licensed Internal Code ("LIC").

Applicability of suppliers and resellers (unchanged).

FRANCE

Limitation of Liability: *The following replaces the second sentence of the first paragraph of this section:*

In such instances, regardless of the basis on which you are entitled to claim damages from IBM, IBM is liable for no more than: (items 1 and 2 unchanged).

GERMANY

What this Warranty Covers: *The following replaces the first sentence of the first paragraph of this section:*

The warranty for an IBM Machine covers the functionality of the Machine for its normal use and the Machine's conformity to its Specifications.

The following paragraphs are added to this section:

The minimum warranty period for Machines is twelve months. In case IBM or your reseller is unable to repair an IBM Machine, you can alternatively ask for a partial refund as far as justified by the reduced value of the unrepaired Machine or ask for a cancellation of the respective agreement for such Machine and get your money refunded.

The second paragraph does not apply.

What IBM Will Do to Correct Problems: *The following is added to this section:*

During the warranty period, transportation for delivery of the failing Machine to IBM will be at IBM's expense.

Limitation of Liability: *The following paragraph is added to this section:*

The limitations and exclusions specified in the Statement of Limited Warranty will not apply to damages caused by IBM with fraud or gross negligence and for express warranty.

The following sentence is added to the end of item 2:

IBM's liability under this item is limited to the violation of essential contractual terms in cases of ordinary negligence.

HUNGARY

Limitation of Liability: *The following is added at the end of this section:*

The limitation and exclusion specified herein shall not apply to liability for a breach of contract damaging life, physical well-being, or health that has been caused intentionally, by gross negligence, or by a criminal act.

The parties accept the limitations of liability as valid provisions and state that the Section 314.(2) of the Hungarian Civil Code applies as the acquisition price as well as other advantages arising out of the present Statement of Limited Warranty balance this limitation of liability.

IRELAND

What this Warranty Covers: *The following is added to this section:*

Except as expressly provided in these terms and conditions, all statutory conditions, including all warranties implied, but without prejudice to the generality of the foregoing all warranties implied by the Sale of Goods Act 1893 or the Sale of Goods and Supply of Services Act 1980 are hereby excluded.

Limitation of Liability: *The following replaces the terms of this section in its entirety:*

For the purposes of this section, a "Default" means any act, statement, omission, or negligence on the part of IBM in connection with, or in relation to, the subject matter of this Statement of Limited Warranty in respect of which IBM is legally liable to you, whether in contract or tort. A number of Defaults

which together result in, or contribute to, substantially the same loss or damage will be treated as one Default occurring on the date of occurrence of the last such Default.

Circumstances may arise where, because of a Default, you are entitled to recover damages from IBM.

This section sets out the extent of IBM's liability and your sole remedy.

1. IBM will accept unlimited liability for death or personal injury caused by the negligence of IBM.
2. Subject always to the **Items for Which IBM is Not Liable** below, IBM will accept unlimited liability for physical damage to your tangible property resulting from the negligence of IBM.
3. Except as provided in items 1 and 2 above, IBM's entire liability for actual damages for any one Default will not in any event exceed the greater of 1) EUR 125,000, or 2) 125% of the amount you paid for the Machine directly relating to the Default.

Items for Which IBM is Not Liable

Save with respect to any liability referred to in item 1 above, under no circumstances is IBM, its suppliers or resellers liable for any of the following, even if IBM or they were informed of the possibility of such losses:

1. loss of, or damage to, data;
2. special, indirect, or consequential loss; or
3. loss of profits, business, revenue, goodwill, or anticipated savings.

SLOVAKIA

Limitation of Liability: *The following is added to the end of the last paragraph:*

The limitations apply to the extent they are not prohibited under §§ 373-386 of the Slovak Commercial Code.

SOUTH AFRICA, NAMIBIA, BOTSWANA, LESOTHO AND SWAZILAND

Limitation of Liability: *The following is added to this section:*

IBM's entire liability to you for actual damages arising in all situations involving nonperformance by IBM in respect of the subject matter of this Statement of Warranty will be limited to the charge paid by you for the individual Machine that is the subject of your claim from IBM.

UNITED KINGDOM

Limitation of Liability: *The following replaces the terms of this section in its entirety:*

For the purposes of this section, a “Default” means any act, statement, omission, or negligence on the part of IBM in connection with, or in relation to, the subject matter of this Statement of Limited Warranty in respect of which IBM is legally liable to you, whether in contract or tort. A number of Defaults which together result in, or contribute to, substantially the same loss or damage will be treated as one Default.

Circumstances may arise where, because of a Default, you are entitled to recover damages from IBM.

This section sets out the extent of IBM’s liability and your sole remedy.

1. IBM will accept unlimited liability for:
 - a. death or personal injury caused by the negligence of IBM; and
 - b. any breach of its obligations implied by Section 12 of the Sale of Goods Act 1979 or Section 2 of the Supply of Goods and Services Act 1982, or any statutory modification or re-enactment of either such Section.
2. IBM will accept unlimited liability, subject always to the **Items for Which IBM is Not Liable** below, for physical damage to your tangible property resulting from the negligence of IBM.
3. IBM’s entire liability for actual damages for any one Default will not in any event, except as provided in items 1 and 2 above, exceed the greater of 1) Pounds Sterling 75,000, or 2) 125% of the total purchase price payable or the charges for the Machine directly relating to the Default.

These limits also apply to IBM’s suppliers and resellers. They state the maximum for which IBM and such suppliers and resellers are collectively responsible.

Items for Which IBM is Not Liable

Save with respect to any liability referred to in item 1 above, under no circumstances is IBM or any of its suppliers or resellers liable for any of the following, even if IBM or they were informed of the possibility of such losses:

1. loss of, or damage to, data;
2. special, indirect, or consequential loss; or
3. loss of profits, business, revenue, goodwill, or anticipated savings.

Part 3 - Warranty Information

This Part 3 provides information regarding the warranty applicable to your Machine, including the warranty period and type of warranty service IBM provides.

Warranty Period

The warranty period may vary by country or region and is specified in the table below.

Note: "Region" means either Hong Kong or Macau Special Administrative Region of China.

Machine - IBM BladeCenter Fibre Channel Expansion Card

| Country or Region of Purchase | Warranty Period | Type of Warranty Service* |
|---|-----------------|---------------------------|
| Worldwide | 3 years | 2 |
| * See " <u>Types of Warranty Service</u> " for the legend and explanations of warranty-service types. | | |

A warranty period of 3 years on parts and 1 year on labor means that IBM provides warranty service without charge for:

1. parts and labor during the first year of the warranty period; and
2. parts only, on an exchange basis, in the second and third years of the warranty period. IBM will charge you for any labor provided in performance of the repair or replacement(s) in the second and third year of the warranty period.

Types of Warranty Service

If required, IBM provides repair or exchange service depending on the type of warranty service specified for your Machine in the above table and as described below. Warranty service may be provided by your reseller if approved by IBM to perform warranty service. Scheduling of service will depend upon the time of your call and is subject to parts availability. Service levels are response time objectives and are not guaranteed. The specified level of warranty service may not be available in all worldwide locations, additional charges may apply outside IBM's normal service area, contact your local IBM representative or your reseller for country and location specific information.

1. **Customer Replaceable Unit ("CRU") Service**

IBM will ship CRU parts to you for your replacement. If IBM instructs you to return the replaced CRU, you are responsible for returning it to IBM in accordance with IBM's instructions. If you do not return the defective CRU,

if IBM so instructs, within 30 days of your receipt of the replacement CRU, IBM may charge you for the replacement.

2. On-site Service

IBM or your reseller will either repair or exchange the failing Machine at your location and verify its operation. You must provide suitable working area to allow disassembly and reassembly of the IBM Machine. The area must be clean, well lit and suitable for the purpose. **For some Machines, certain repairs may require sending the Machine to an IBM service center.**

3. Courier or Depot Service*

You will disconnect the failing Machine for collection arranged by IBM. IBM will provide you with a shipping container for you to return your Machine to a designated service center. A courier will pick up your Machine and deliver it to the designated service center. Following its repair or exchange, IBM will arrange the return delivery of the Machine to your location. You are responsible for its installation and verification.

4. Customer Carry-In or Mail-In Service

You will deliver or mail as IBM specifies (prepaid unless IBM specifies otherwise) the failing Machine suitably packaged to a location IBM designates. After IBM has repaired or exchanged the Machine, IBM will make it available for your collection or, for Mail-in Service, IBM will return it to you at IBM's expense, unless IBM specifies otherwise. You are responsible for the subsequent installation and verification of the Machine.

* This type of service is called ThinkPad® EasyServ or EasyServ in some countries.

The IBM Machine Warranty World Wide Web site at http://www.ibm.com/servers/support/machine_warranties/ provides a worldwide overview of IBM Limited Warranty for Machines, a Glossary of IBM definitions, Frequently Asked Questions (FAQs) and Support by Product (Machine) with links to Product Support pages. **The IBM Statement of Limited Warranty is also available on this site in 29 languages.**

To obtain warranty service contact IBM or your IBM reseller. In Canada or the United States, call 1-800-IBM-SERV (426-7378). In the EU countries, see the telephone numbers below.

EU Country Telephone List

Phone numbers are subject to change without notice.

| | |
|----------------------------|-----------------------------|
| Austria -- 43-1-24592-5901 | Italy -- 39-02-482-9202 |
| Belgium -- 02-718-4339 | Luxembourg -- 352-360385-1 |
| Denmark -- 4520-8200 | Netherlands -- 020-514-5770 |

| | |
|---------------------------|---------------------------------|
| Finland -- 358-9-4591 | Portugal -- 351-21-7915-147 |
| France -- 0238-557-450 | Spain -- 34-91-662-4916 |
| Germany -- 07032-15-4920 | Sweden -- 46-8-477-4420 |
| Greece -- 30-210-688-1220 | United Kingdom -- 01475-555-055 |
| Ireland -- 353-1-815-4000 | |

Appendix C. Notices

This information was developed for products and services offered in the U.S.A.

IBM may not offer the products, services, or features discussed in this document in other countries. Consult your local IBM representative for information on the products and services currently available in your area. Any reference to an IBM product, program, or service is not intended to state or imply that only that IBM product, program, or service may be used. Any functionally equivalent product, program, or service that does not infringe any IBM intellectual property right may be used instead. However, it is the user's responsibility to evaluate and verify the operation of any non-IBM product, program, or service.

IBM may have patents or pending patent applications covering subject matter described in this document. The furnishing of this document does not give you any license to these patents. You can send license inquiries, in writing, to:

*IBM Director of Licensing
IBM Corporation
North Castle Drive
Armonk, NY 10504-1785
U.S.A.*

INTERNATIONAL BUSINESS MACHINES CORPORATION PROVIDES THIS PUBLICATION "AS IS" WITHOUT WARRANTY OF ANY KIND, EITHER EXPRESS OR IMPLIED, INCLUDING, BUT NOT LIMITED TO, THE IMPLIED WARRANTIES OF NON-INFRINGEMENT, MERCHANTABILITY OR FITNESS FOR A PARTICULAR PURPOSE. Some states do not allow disclaimer of express or implied warranties in certain transactions, therefore, this statement may not apply to you.

This information could include technical inaccuracies or typographical errors. Changes are periodically made to the information herein; these changes will be incorporated in new editions of the publication. IBM may make improvements and/or changes in the product(s) and/or the program(s) described in this publication at any time without notice.

Any references in this information to non-IBM Web sites are provided for convenience only and do not in any manner serve as an endorsement of those Web sites. The materials at those Web sites are not part of the materials for this IBM product, and use of those Web sites is at your own risk.

IBM may use or distribute any of the information you supply in any way it believes appropriate without incurring any obligation to you.

Edition notice

© Copyright International Business Machines Corporation 2004. All rights reserved.

U.S. Government Users Restricted Rights — Use, duplication, or disclosure restricted by GSA ADP Schedule Contract with IBM Corp.

Trademarks

The following terms are trademarks of International Business Machines Corporation in the United States, other countries, or both:

| | |
|------------------|-----------------------------|
| Active Memory | Predictive Failure Analysis |
| Active PCI | PS/2 |
| Active PCI-X | ServeRAID |
| Alert on LAN | ServerGuide |
| BladeCenter | ServerProven |
| C2T Interconnect | TechConnect |
| Chipkill | ThinkPad |
| EtherJet | Tivoli |
| e-business logo | Tivoli Enterprise |
| @server | Update Connector |
| FlashCopy | Wake on LAN |
| IBM | XA-32 |
| IBM (logo) | XA-64 |
| IntelliStation | X-Architecture |
| NetBAY | XceL4 |
| Netfinity | XpandOnDemand |
| NetView | xSeries |
| OS/2 WARP | |

Intel, MMX, and Pentium are trademarks of Intel Corporation in the United States, other countries, or both.

Microsoft, Windows, and Windows NT are trademarks of Microsoft Corporation in the United States, other countries, or both.

UNIX is a registered trademark of The Open Group in the United States and other countries.

Java and all Java-based trademarks and logos are trademarks or registered trademarks of Sun Microsystems, Inc. in the United States, other countries, or both.

Adaptec and HostRAID are trademarks of Adaptec, Inc., in the United States, other countries, or both.

Red Hat, the Red Hat “Shadow Man” logo, and all Red Hat-based trademarks and logos are trademarks or registered trademarks of Red Hat, Inc., in the United States and other countries.

Other company, product, or service names may be trademarks or service marks of others.

Important notes

Processor speeds indicate the internal clock speed of the microprocessor; other factors also affect application performance.

CD-ROM drive speeds list the variable read rate. Actual speeds vary and are often less than the maximum possible.

When referring to processor storage, real and virtual storage, or channel volume, KB stands for approximately 1000 bytes, MB stands for approximately 1 000 000 bytes, and GB stands for approximately 1 000 000 000 bytes.

When referring to hard disk drive capacity or communications volume, MB stands for 1 000 000 bytes, and GB stands for 1 000 000 000 bytes. Total user-accessible capacity may vary depending on operating environments.

Maximum internal hard disk drive capacities assume the replacement of any standard hard disk drives and population of all hard disk drive bays with the largest currently supported drives available from IBM.

Maximum memory may require replacement of the standard memory with an optional memory module.

IBM makes no representation or warranties regarding non-IBM products and services that are ServerProven[®], including but not limited to the implied warranties of merchantability and fitness for a particular purpose. These products are offered and warranted solely by third parties.

IBM makes no representations or warranties with respect to non-IBM products. Support (if any) for the non-IBM products is provided by the third party, not IBM.

Some software may differ from its retail version (if available), and may not include user manuals or all program functionality.

Product recycling and disposal

This unit contains materials such as circuit boards, cables, electromagnetic compatibility gaskets, and connectors which may contain lead and copper/beryllium alloys that require special handling and disposal at end of life. Before this unit is disposed of, these materials must be removed and recycled or discarded according to applicable regulations. IBM offers product-return programs in several countries. Information on product recycling offerings can be found on IBM's Internet site at <http://www.ibm.com/ibm/environment/products/prp.shtml>.

Electronic emission notices

Federal Communications Commission (FCC) statement

Note: This equipment has been tested and found to comply with the limits for a Class A digital device, pursuant to Part 15 of the FCC Rules. These limits are designed to provide reasonable protection against harmful interference when the equipment is operated in a commercial environment. This equipment generates, uses, and can radiate radio frequency energy and, if not installed and used in accordance with the instruction manual, may cause harmful interference to radio communications. Operation of this equipment in a residential area is likely to cause harmful interference, in which case the user will be required to correct the interference at his own expense.

Properly shielded and grounded cables and connectors must be used in order to meet FCC emission limits. IBM is not responsible for any radio or television interference caused by using other than recommended cables and connectors or by unauthorized changes or modifications to this equipment. Unauthorized changes or modifications could void the user's authority to operate the equipment.

This device complies with Part 15 of the FCC Rules. Operation is subject to the following two conditions: (1) this device may not cause harmful interference, and (2) this device must accept any interference received, including interference that may cause undesired operation.

Industry Canada Class A emission compliance statement

This Class A digital apparatus complies with Canadian ICES-003.

Avis de conformité à la réglementation d'Industrie Canada

Cet appareil numérique de la classe A est conforme à la norme NMB-003 du Canada.

Australia and New Zealand Class A statement

Attention: This is a Class A product. In a domestic environment this product may cause radio interference in which case the user may be required to take adequate measures.

United Kingdom telecommunications safety requirement

Notice to Customers

This apparatus is approved under approval number NS/G/1234/J/100003 for indirect connection to public telecommunication systems in the United Kingdom.

European Union EMC Directive conformance statement

This product is in conformity with the protection requirements of EU Council Directive 89/336/EEC on the approximation of the laws of the Member States relating to electromagnetic compatibility. IBM cannot accept responsibility for any failure to satisfy the protection requirements resulting from a nonrecommended modification of the product, including the fitting of non-IBM option cards.

This product has been tested and found to comply with the limits for Class A Information Technology Equipment according to CISPR 22/European Standard EN 55022. The limits for Class A equipment were derived for commercial and industrial environments to provide reasonable protection against interference with licensed communication equipment.

Attention: This is a Class A product. In a domestic environment this product may cause radio interference in which case the user may be required to take adequate measures.

Taiwanese Class A warning statement

警告使用者：
這是甲類的資訊產品，在居住的環境中使用時，可能會造成射頻干擾，在這種情況下，使用者會被要求採取某些適當的對策。

Chinese Class A warning statement

聲 明
此為 A 級產品。在生活環境中，該產品可能會造成無線電干擾。在這種情況下，可能需要用戶對其干擾採取切实可行的措施。

Japanese Voluntary Control Council for Interference (VCCI) statement

この装置は、情報処理装置等電波障害自主規制協議会（VCCI）の基準に基づくクラスA情報技術装置です。この装置を家庭環境で使用すると電波妨害を引き起こすことがあります。この場合には使用者が適切な対策を講ずるよう要求されることがあります。

Index

A

- advanced adapter settings
 - enable LIP full login 20
 - enable LIP reset 20
 - enable target reset 20
 - execution throttle 20
 - extended error logging 20
 - IOCB allocation 20
 - login retry count 20
 - port down retry count 20

B

- BIOS code update 15
- blade server 11, 17, 28
- BladeCenter unit 1

C

- Class A electronic emission notice 56
- components 7
- configuration problems 28
- configuration settings 17, 18
 - adapter serial number 19
 - BIOS revision 19
 - IBM Fast!UTIL 17
- configure
 - HS20 17
 - HS40 17
 - JS20 23

D

- device drivers, installing 15
- documents
 - related 2

E

- electronic emission Class A notice 56
- ExitFast!UTIL 22
- expansion card
 - components 7
 - features 4

- expansion card (*continued*)
 - installing the BladeCenter Expansion Card 11
 - specifications 5
- extended firmware settings
 - connection options 18
 - data rate 18
 - Fibre Channel tape support 18
 - interrupt delay timer 20
 - RIO operation mode 20

F

- Fast!UTIL options
 - advanced adapter settings 20
 - raw NOVRAM data 20
 - restore default settings 20
 - scan Fibre Channel devices 22
 - scan Fibre Channel disk utility 22
 - select host adapter 17
- Fast!UTIL settings
 - host adapter settings 17
 - using 17
- FastT MSJ utility 23
 - features 24
 - installation 24
 - overview 23
 - system requirements 24
 - update flash 25
 - update NVRAM 25
 - utilities 25
- FCC Class A notice 56
- features and specifications 4
- Fibre Channel disk utility 22

H

- handling static-sensitive devices 9
- hardware problems 27
- host adapter 17
- host adapter settings
 - BIOS 17
 - frame size 18
 - hard loop ID 18
 - loop reset delay 18

- I**
IBM Fast!UTIL 17
installation guidelines 9
installing the BladeCenter Expansion Card 9
- L**
loopback data test 22
- M**
Microsoft Windows 2000
installing device driver 15
- N**
notes, important 55
notices
electronic emission 56
FCC, Class A 56
used in this book 6
notices and statements 6
- R**
raw NOVRAM data 20
Red Hat Linux
installing device driver 15
related documents 2
Remote Deployment Manager 15
restore default settings 20
- S**
scan Fibre Channel devices 22
Selectable Boot Settings 20
specifications, expansion card 5
Spin up delay 18
SUSE Linux
installing device driver 15
- T**
trademarks 54
troubleshooting
Fibre Channel 28
hardware 27
installation problems 27
system configuration problems 28
- U**
United States electronic emission Class A notice 56
United States FCC Class A notice 56
updating NVRAM 15



Part Number: 25K9156

Printed in USA

(1P) P/N: 25K9156

