



# Technical Update

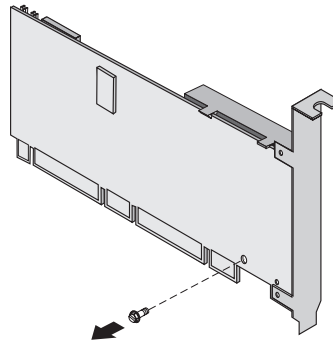
## Important instructions for replacing the IBM ServeRAID-5i Ultra320 SCSI controller battery pack

The IBM ServeRAID™ -5i Ultra320 SCSI controller has a replaceable battery pack for the backup cache. If your controller requires a new battery pack, you *must* use the following instructions to replace the battery pack.

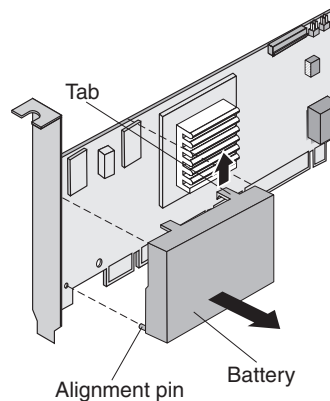
**Attention:** Failure to follow these instructions might damage the ServeRAID-5i controller.

Complete the following steps to replace the battery pack. You will need a small, flat-blade screwdriver. Also, be sure to observe the proper electrostatic discharge procedures.

1. Set the controller battery-side down on a nonconductive, static-protected surface. Do not place the controller on your server cover or on a metal table.
2. Using a small, flat-blade screwdriver, remove the screw from the battery pack.



3. To remove the battery, gently press the tab up and lift the battery away from the controller.



(over)

IBM and ServeRAID are trademarks of the IBM Corporation in the United States, other countries, or both.

© Copyright International Business Machines Corporation 2002. All rights reserved.

Note to U.S. Government Users — Documentation related to restricted rights —use, duplication or disclosure is subject to restrictions set forth in GSA ADP Schedule Contract with IBM Corp.

**Part Number: 01R0521**

**Printed in the U.S.A.**

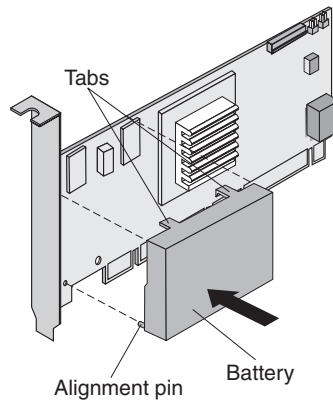


\*1P01R0521\*

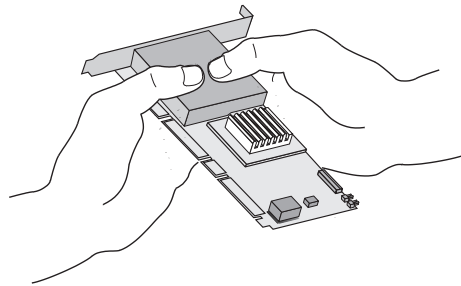
4. Remove the new battery pack from its packaging.

**Attention:** Follow steps 5 and 6 carefully. Failure to do so might damage the controller.

5. Carefully position the new battery pack on the controller. Be sure that the alignment pin and the two tabs are properly aligned.



6. Press gently on the *center* of the battery pack to snap the battery pack into place. Be sure to apply pressure evenly with both hands and to hold the controller as shown in the figure below. Also, make sure that the tab is properly latched on the controller.



7. Using the screw you removed in step 2 on page 1, secure the battery to the controller.

8. The battery pack contains a nickel metal hydride battery. Be sure to recycle or dispose of the discarded battery pack properly. Recycling facilities might not be available in your area.