

Intel® Server Chassis SC5300: Floppy Drive/CD-ROM or DVD-ROM Conversion Kit Installation Guide

Order Number: C77422-003

C77422-003



Disclaimer

Information in this document is provided in connection with Intel® products. No license, express or implied, by estoppel or otherwise, to any intellectual property rights is granted by this document. Except as provided in Intel's Terms and Conditions of Sale for such products, Intel assumes no liability whatsoever, and Intel disclaims any express or implied warranty, relating to sale and/or use of Intel products including liability or warranties relating to fitness for a particular purpose, merchantability, or infringement of any patent, copyright or other intellectual property right. Intel products are not designed, intended or authorized for use in any medical, life saving, or life sustaining applications or for any other application in which the failure of the Intel product could create a situation where personal injury or death may occur. Intel may make changes to specifications and product descriptions at any time, without notice.

Intel is a registered trademark of Intel Corporation or its subsidiaries in the United States and other countries.

* Other names and brands may be claimed as the property of others.

Copyright © 2004-2005 Intel Corporation. All Rights Reserved.

Important Safety Instructions

Important Safety Instructions

Read all caution and safety statements in this document before performing any of the instructions. See *Intel Server Boards and Server Chassis Safety Information* at <http://support.intel.com/support/motherboards/server/safecert.htm>.

Wichtige Sicherheitshinweise

Lesen Sie zunächst sämtliche Warn- und Sicherheitshinweise in diesem Dokument, bevor Sie eine der Anweisungen ausführen. Beachten Sie hierzu auch die Sicherheitshinweise zu Intel-Serverplatinen und -Servergehäusen unter <http://support.intel.com/support/motherboards/server/safecert.htm>.

重要安全指导

在执行任何指令之前，请阅读本文档中的所有注意事项及安全声明。和/或 <http://support.intel.com/support/motherboards/server/safecert.htm> 上的 *Intel Server Boards and Server Chassis Safety Information*（《Intel 服务器主板与服务器机箱安全信息》）。

Important Safety Instructions Consignes de sécurité

Lisez attention toutes les consignes de sécurité et les mises en garde indiquées dans ce document avant de suivre toute instruction. Consultez *Intel Server Boards and Server Chassis Safety Information* rendez-vous sur le site <http://support.intel.com/support/motherboards/server/safecert.htm>.

Instrucciones de seguridad importantes

Lea todas las declaraciones de seguridad y precaución de este documento antes de realizar cualquiera de las instrucciones. Vea *Intel Server Boards and Server Chassis Safety Information* en <http://support.intel.com/support/motherboards/server/safecert.htm>.



WARNINGS

SERVER POWER ON/OFF: The push-button on/off power switch on the front panel of the server **does not** turn off the AC power. To remove AC power from the server, you must unplug the AC power cord from either the power supply or wall outlet.

HAZARDOUS CONDITIONS—POWER SUPPLY: Hazardous voltage, current, and energy levels are present inside the power supply enclosure. There are no user-serviceable parts inside it; servicing should only be done by technically qualified personnel.

HAZARDOUS CONDITIONS—DEVICES AND CABLES: Hazardous electrical conditions may be present on power, telephone, and communication cables. Turn off the server and disconnect telecommunications systems, networks, modems, and the power cord attached to the server before opening it. Otherwise, personal injury or equipment damage can result.

AVOID INJURY: Lifting the server chassis and attaching it to the rack is a two-person job. If needed, use an appropriate lifting device. A fully loaded SR1350-E server weighs approximately 13.6 kg (30 lbs.).



CAUTIONS

Temperature: The operating temperature of the server, when installed in an equipment rack, must not go below 5 °C (41 °F) or rise above 35 °C (95 °F). Extreme fluctuations in temperature can cause a variety of problems in your server.

Ventilation: The equipment rack must provide sufficient airflow to the front of the server to maintain proper cooling. It must also include ventilation sufficient to exhaust a maximum of 1200 BTUs per hour for a fully loaded Intel® Server Chassis SC5300.

It is important to note that this is the maximum, and a minimum or typical system your configuration. An extra 500 BTU/hr over many systems would translate into a large error calculating air conditioning capacity.

Contents

About the Floppy/CD-ROM or DVD-ROM Conversion Kit	1
Kit Contents.....	1
Floppy Drive/CD-ROM Drive or DVD-ROM Drive Installation Procedures	2
Required Tools.....	2
Remove the Chassis Cover	2
Remove Slimline Drive Cage	3
Remove Drive Cage Top.....	4
Install Floppy Drive.....	5
Install CD-ROM Drive or DVD-ROM Drive	8
Install Cage Top.....	9
Inserting Drive Cage into Drive Bay	10
Inserting Drive Bay into Server Chassis.....	11
Making Cable Connections	11
Replace the Chassis Cover.....	12
Figures	
Figure 1. Removing Chassis Cover	2
Figure 2. Removing Drive Cage from Drive Bay	3
Figure 3. Removing Top from Drive Cage	4
Figure 4. Removing Flat Flex Cable from Backplane Board	5
Figure 5. Connect Flat Flex Cable to Slimline Floppy Drive Connector	5
Figure 6. Insert Slimline Floppy Drive into Drive Cage	6
Figure 7. Attaching Flat Flex Cable to Backplane Board	6
Figure 8. Secure Slimline Floppy Drive to Drive Cage.....	7
Figure 9. Insert CD-ROM/DVD-ROM Drive in Drive Cage.....	8
Figure 10. Secure CD-ROM Drive or DVD-ROM Drive to Drive Cage.....	8
Figure 11. Installing the Cage Top to the Drive Cage	9
Figure 12. Inserting the Drive Cage into Drive Bay	10
Figure 13. Attaching Rails to Drive Bay	11
Figure 14. Cable Connections.....	11
Figure 15. Replacing Chassis Cover.....	12

About the Floppy/CD-ROM or DVD-ROM Conversion Kit

This Floppy Drive/CD-ROM or DVD-ROM Conversion Kit allows you to install a slimline floppy drive and a slimline CD-ROM drive or DVD-ROM drive into your Intel® Server Chassis SC5300. This accessory kit is required to connect a slimline floppy drive, CD-ROM drive or DVD-ROM drive to the server board.

With this kit, you may install the following:

- One floppy drive and either a CD-ROM drive or a DVD-ROM drive

⇒ NOTE

You cannot install both a CD-ROM drive and a DVD-ROM drive.

Kit Contents

- Backplane board
- Flat Flex Cable, preinstalled on backplane board
- Flat Floppy Cable for connection to the server board
- Screws:
 - Fastener “A”
 - Fastener “CD”
 - Fastener “FDU”

⇒ NOTE

Floppy drives, CD-ROM drives and/or DVD-ROM drives are not included with this kit. For a list of supported drives, see <http://support.intel.com/support/motherboards/server/chassis/SC5300/>. Refer to the documentation that comes with your drive for additional information and requirements.

Floppy Drive/CD-ROM Drive or DVD-ROM Drive Installation Procedures

⇒ NOTE

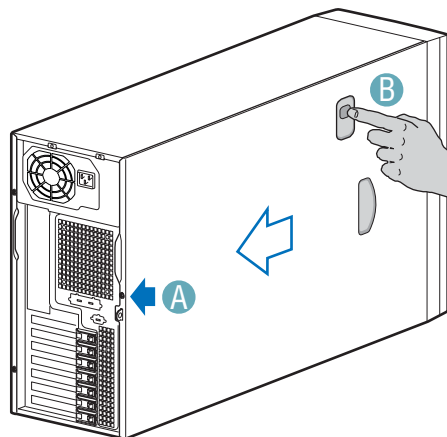
Refer to the instructions that came with your drive(s) for additional requirements and instructions.

Required Tools

- Cross (Phillips*) screwdriver

Remove the Chassis Cover

1. Unplug all power and peripheral cables from the chassis.
2. If necessary, remove shipping screw from the back of the chassis cover (see letter “A” in Figure 1).
3. Release latch (see letter “B” in Figure 1) and remove cover.

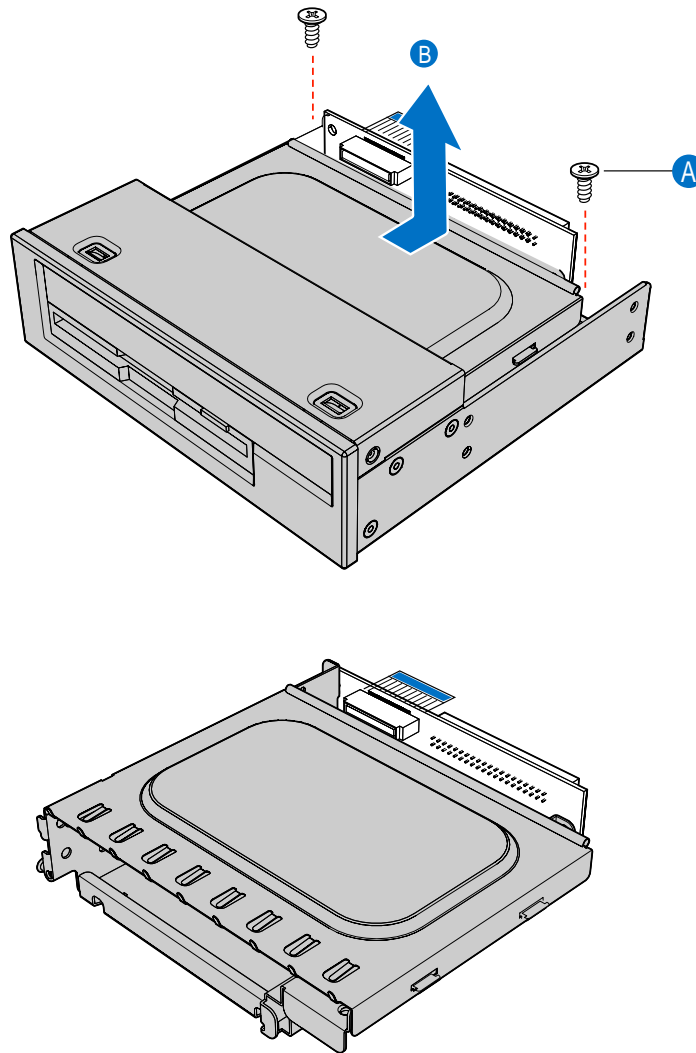


TP00527

Figure 1. Removing Chassis Cover

Remove Slimline Drive Cage

1. Remove the two screws (see letter “A” in Figure 2) that attach the drive cage to the drive bay.
2. Tilt up the rear of the drive cage (see letter “B” in Figure 2) then pull it back to lift it up and out of the drive bay.

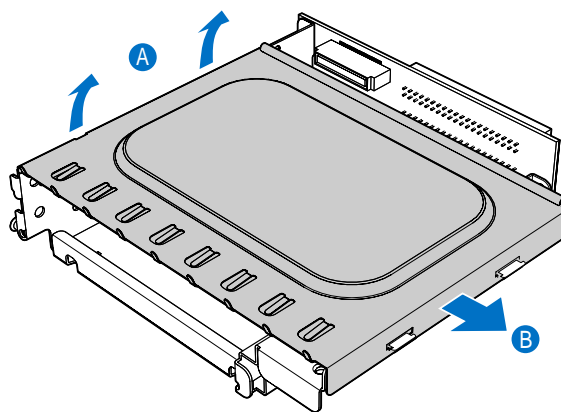


TP00838

Figure 2. Removing Drive Cage from Drive Bay

Remove Drive Cage Top

1. Facing the front of the drive cage, pull out slightly on the rolled lip at the left side of the cage top to disengage the top from the tabs at the left side (see letter “A” in Figure 3).
2. Lift the left side of the cage top, and then disengage the tabs on the right side to remove the top (see letter “B” in Figure 3).



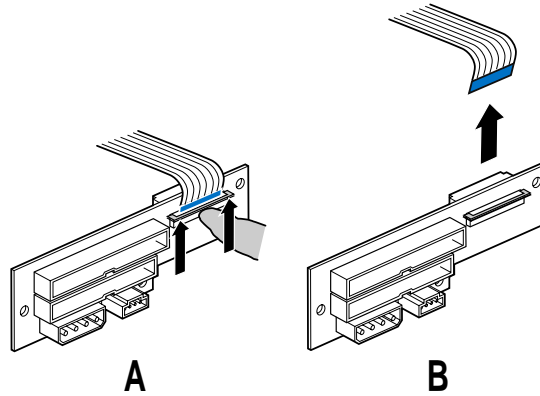
TP00845

Figure 3. Removing Top from Drive Cage

Install Floppy Drive

Your backplane board shipped with the Flat Flex Cable installed. It is easier to connect the Flat Flex Cable to the floppy drive if you remove the Flat Flex Cable from the backplane first.

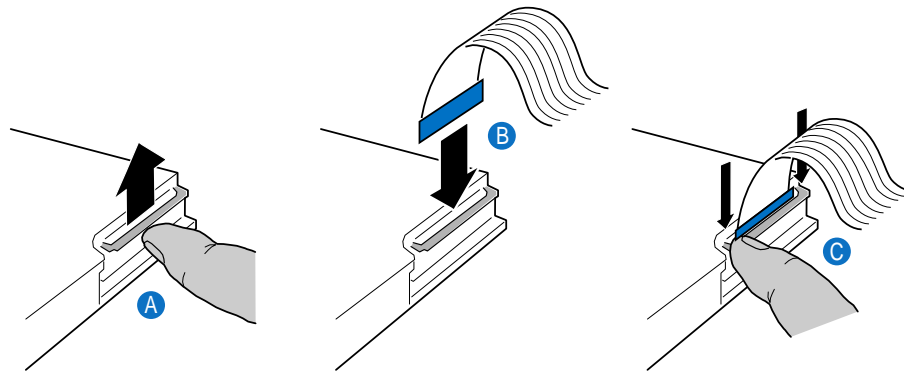
1. Lift the locking mechanism on the backplane connector to disengage the Flat Flex Cable (see letter “A” in Figure 4). Pull out the Flat Flex Cable from the connector (see letter “B” in Figure 4).



TP00715

Figure 4. Removing Flat Flex Cable from Backplane Board

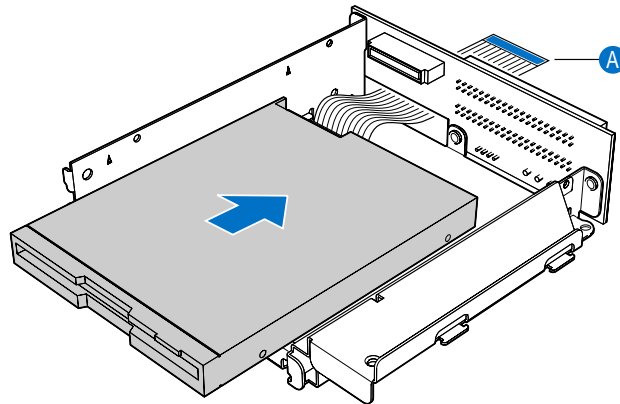
2. Lift the locking mechanism of the connector on the back of the slimline floppy drive (see letter “A” in Figure 5).
3. Insert the Flat Flex Cable into the connector. The blue strip on the cable faces away from the drive (see letter “B” in Figure 5). Make sure the locking mechanism is completely up before trying to insert the cable.
4. Hold the Flat Flex Cable in place while pushing down on each side of the locking mechanism (see letter “C” in Figure 5).



TP00846

Figure 5. Connect Flat Flex Cable to Slimline Floppy Drive Connector

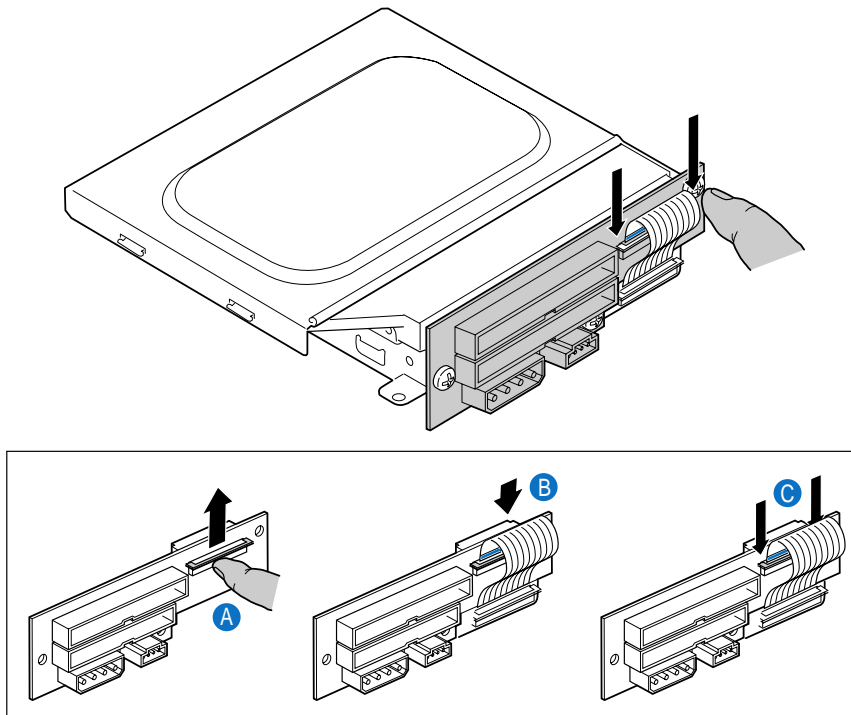
5. Insert slimline floppy drive in device tray making sure the Flat Flex Cable exits through the access slot at the back of the drive cage (see letter “A” in Figure 6).



TP00849

Figure 6. Insert Slimline Floppy Drive into Drive Cage

6. Connect the Flat Flex Cable to connector on backplane. Make sure the locking mechanism (see letter “A” in Figure 7) on the connector is up all the way before doing this or the cable will not go in. Wrap the Flat Flex Cable around and insert into backplane connector (see letter “B” in Figure 7). The blue strip on the connector end of the cable will be facing away from the drive. Hold the Flat Flex Cable in place while pushing down on each side of the locking mechanism (see letter “C” in Figure 7)



TP00847

Figure 7. Attaching Flat Flex Cable to Backplane Board

7. Tug gently on the Flat Flex Cable to ensure the locking mechanism is firmly latched down at both sides. When firmly latched, the cable will be tightly secure. When correctly installed, you will see a narrow strip of blue ribbon extending up from the connector. If this strip of blue is not parallel to the connector, repeat Steps 6-7 to reposition/re-install the Flat Flex Cable.
8. Line up the screw holes on the left and right sides of the slimline floppy drive (see letter “A” in Figure 8) and the drive cage. The front of the slimline floppy drive will extend slightly out from the front of the drive cage. Use four screws from the bag marked “FDU” to attach the drive to the drive cage (two screws on each side).

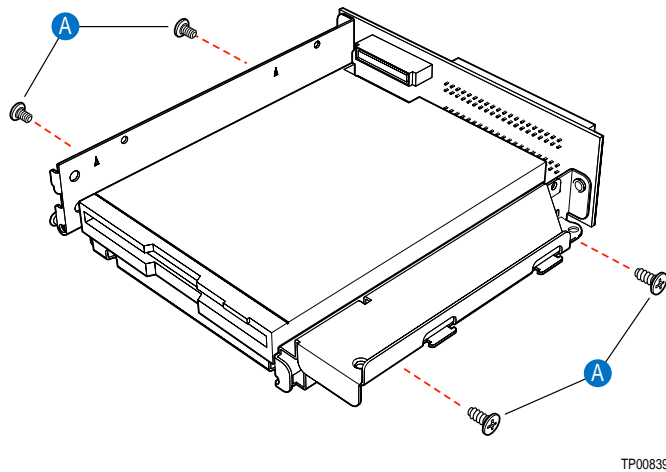
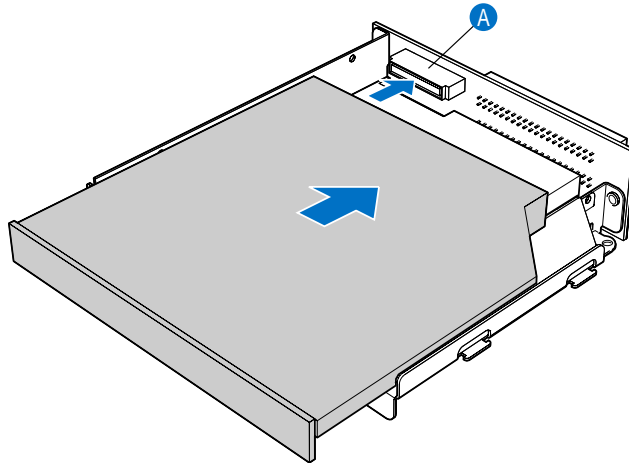


Figure 8. Secure Slimline Floppy Drive to Drive Cage

Install CD-ROM Drive or DVD-ROM Drive

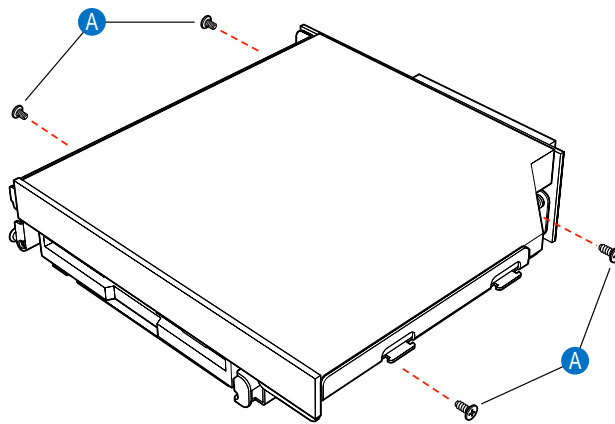
1. Turn the cage so that the metal flange at the side of the drive extends to the right.
2. Lay the CD-ROM drive or the DVD-ROM drive in the drive cage, with the front of the drive facing you. The CD-ROM drive/DVD-ROM drive lies on top of the slimline floppy drive.
3. Insert drive connector into backplane connector (see letter “A” in Figure 9).



TP00848

Figure 9. Insert CD-ROM/DVD-ROM Drive in Drive Cage

4. Line up the screw holes on the left and right sides of the drive and the cage (see letter “A” in Figure 10). The front of the drive will extend slightly from the front of the cage. Use four screws from the bag marked “CD” to attach the drive to each side of the cage (two screws on each side).

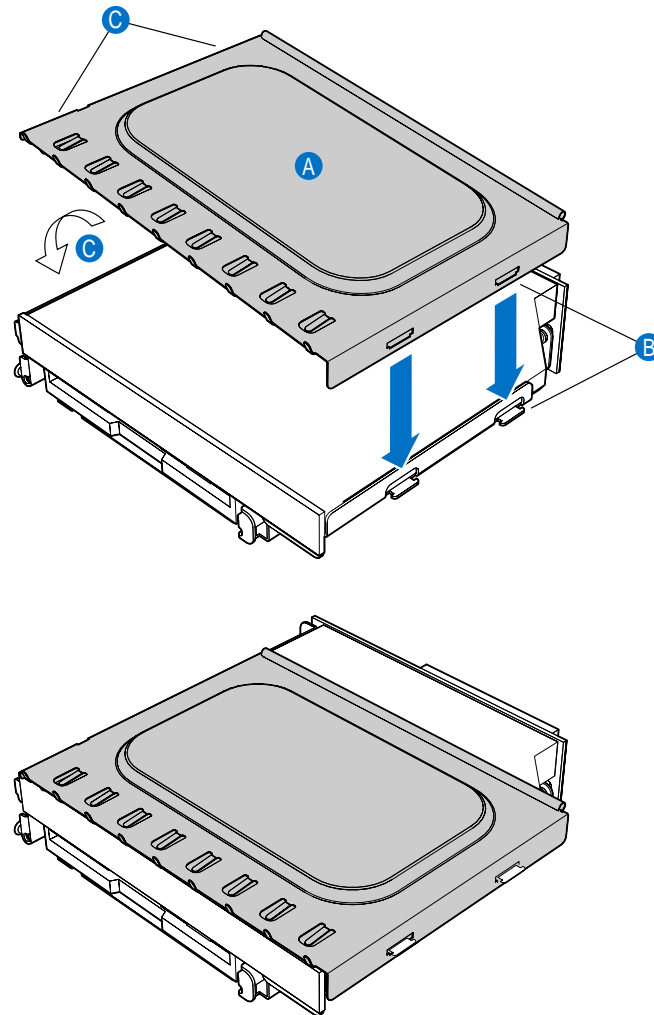


TP00840

Figure 10. Secure CD-ROM Drive or DVD-ROM Drive to Drive Cage

Install Cage Top

1. Hold the Cage Top (see letter “A” in Figure 12) at a downward angle toward the drive cage. Engage the slots at the right side of the cage top to the tabs at drive cage base (see letter “B” in Figure 12). Rotate the top downward at the left side to engage the left tabs (see letter “C” in Figure 12).

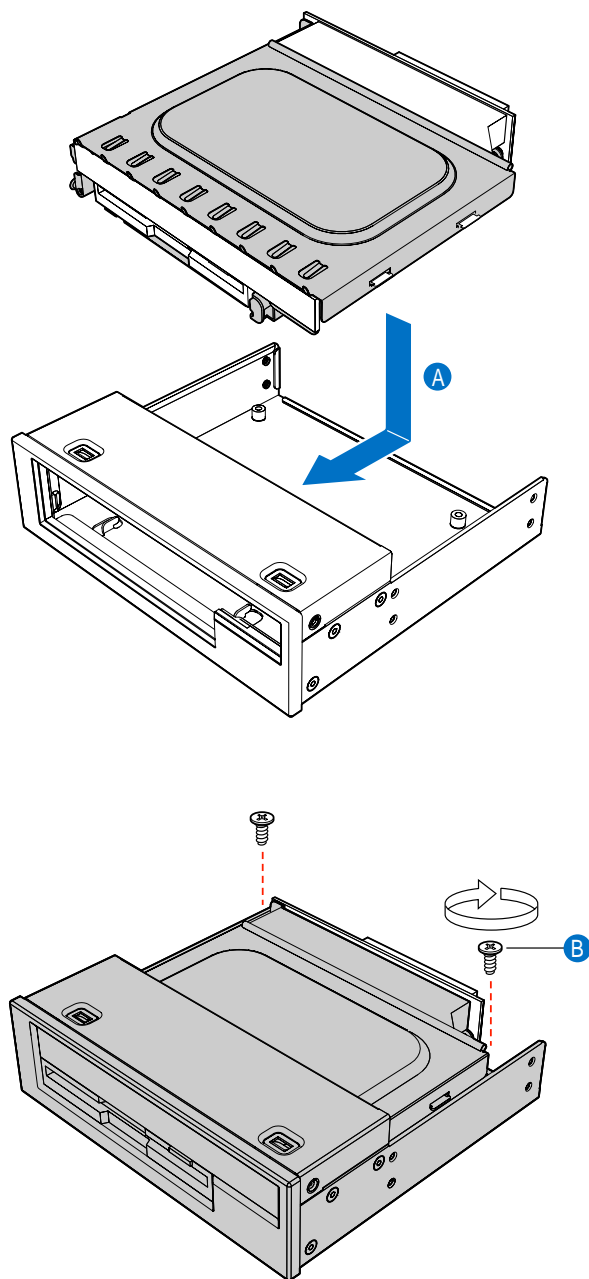


TP00841

Figure 11. Installing the Cage Top to the Drive Cage

Inserting Drive Cage into Drive Bay

1. Insert the front of the device cage into drive bay then lower the back of the cage (see letter “A” in Figure 12). When properly positioned, the front of the cage will be flush and the screw holes in the drive cage will match the screw holes in the bottom of the drive bay. Replace the screws to secure the drive cage to the drive bay (see letter “B” in Figure 12).

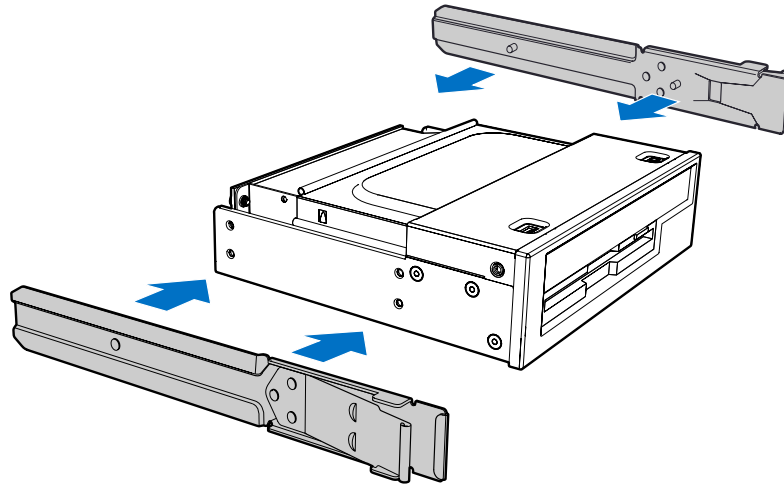


TP00842

Figure 12. Inserting the Drive Cage into Drive Bay

Inserting Drive Bay into Server Chassis

1. Install drive bay rails to drive bay using the top set of holes.



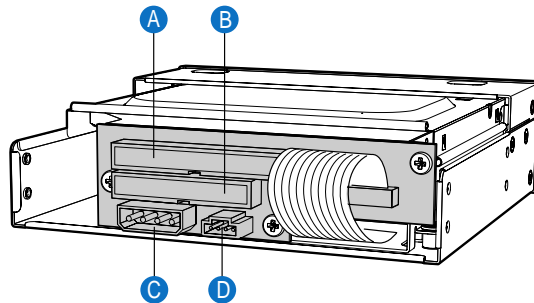
TP00837

Figure 13. Attaching Rails to Drive Bay

2. Slide drive bay into server chassis. Make sure that the drive bay rails are using the correct slots in the chassis.

Making Cable Connections

1. Using the cables in your chassis, connect the cables (as shown in Figure 14) to the backplane:
 - A IDE Cable
 - B Floppy drive cable
 - C Power connector
 - D Power connector

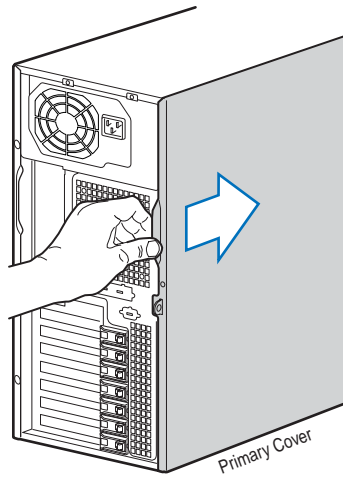


TP00844

Figure 14. Cable Connections

Replace the Chassis Cover

1. Replace chassis cover and slide forward to secure cover to chassis.



TP00561

Figure 15. Replacing Chassis Cover