

Quick Start User's Guide

Intel® Server
Chassis SC5250-E

Start Here

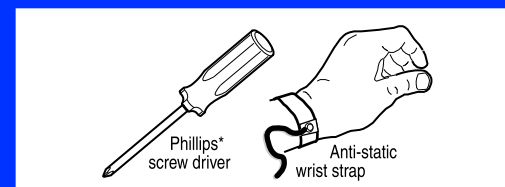
Thank you for buying an Intel® Server Chassis. The following information will help you prepare your server chassis for integration with your selected server board. This guide is for technically qualified persons. Expanded installation instructions and complete product information are available in the *Product Guide* on the Chassis Resource CD.

Note: Save all spare parts and components. This product includes parts and components that are not used for the initial installation of the system, but are required for upgrades to your system.

Note: No drives (hard drive, floppy drive, etc) are included with this chassis.

Before you begin

You will need the following tools and equipment:



See your *Product Guide* for product Safety and EMC regulatory compliance information.

If you are not familiar with ESD [Electro-Static Discharge] Procedures to be used during system assembly, complete ESD Procedures are described in your *Product Guide*.

Additional resources and support for your server chassis can be found at:
<http://support.intel.com/support/motherboards/server/chassis/SC5250-E>

Optional Accessories and Order Codes

SCSI Hot Swap Drive Bay Upgrade Kit*	AXX2HSDRVUG
ICMB Board Assembly Kit*	AXX2ICMBKIT
External SCSI Adapter Cable*	AXXEXTSCSICBL

*Not available for use with all server boards.

A complete list of accessories and spares can be found at:
www.intel.com/go/serverbuilder

Build Value with Intel

Server Products, Programs and Support
Get the high-value server solutions you need by taking advantage of the outstanding value Intel provides to system integrators:

- High-quality server building blocks
- Extensive breadth of server building blocks
- Solutions and tools to enable e-Business
- Intel® Server Management
- Comprehensive training services¹
- Worldwide 24x7 technical support (AT&T Country Code + 866-655-6565)¹
- World-class service, including a three-year limited warranty and Advanced Warranty Replacement¹

For more information on Intel's added-value server offerings, visit the Intel® ServerBuilder website at:
www.intel.com/go/serverbuilder

Intel ServerBuilder is your one-stop shop for information about all of Intel's Server Building Blocks such as:

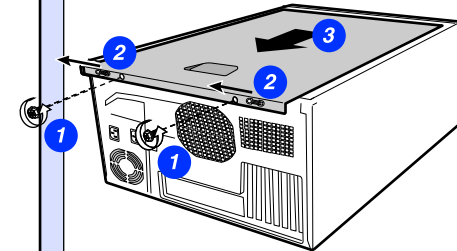
- Product information including product briefs and technical product specifications
- Sales tools such as videos and presentations
- Configurator Tools to help you build complete solutions
- Training information such as the Intel® Online Learning Center
- Support Information and much more

¹Available only to Intel® Channel Program Members, part of Intel® e-Business Network.

1 Opening the System

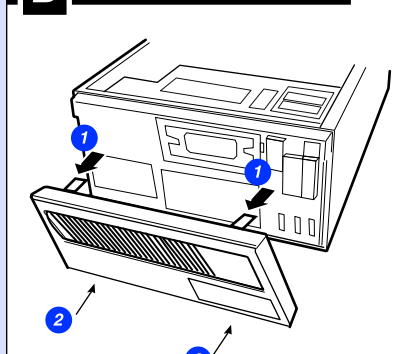
A Remove the Access Panel

1. With the chassis laying on its right side, remove the shipping screws
2. Slide the thumb latches to the "open" position.



3. Slide the top cover out and then lift up.

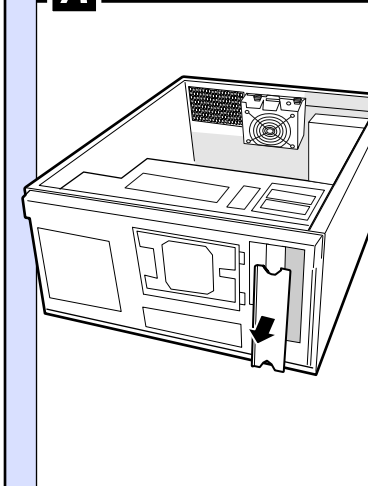
B Remove the Bezel



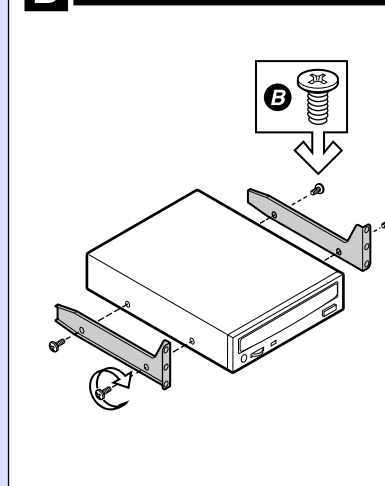
1. Pull the left side of the bezel forward to disengage the tabs
2. Disengage the latches that attach the right side of the bezel to the chassis.

2 Installing a CD-ROM Drive

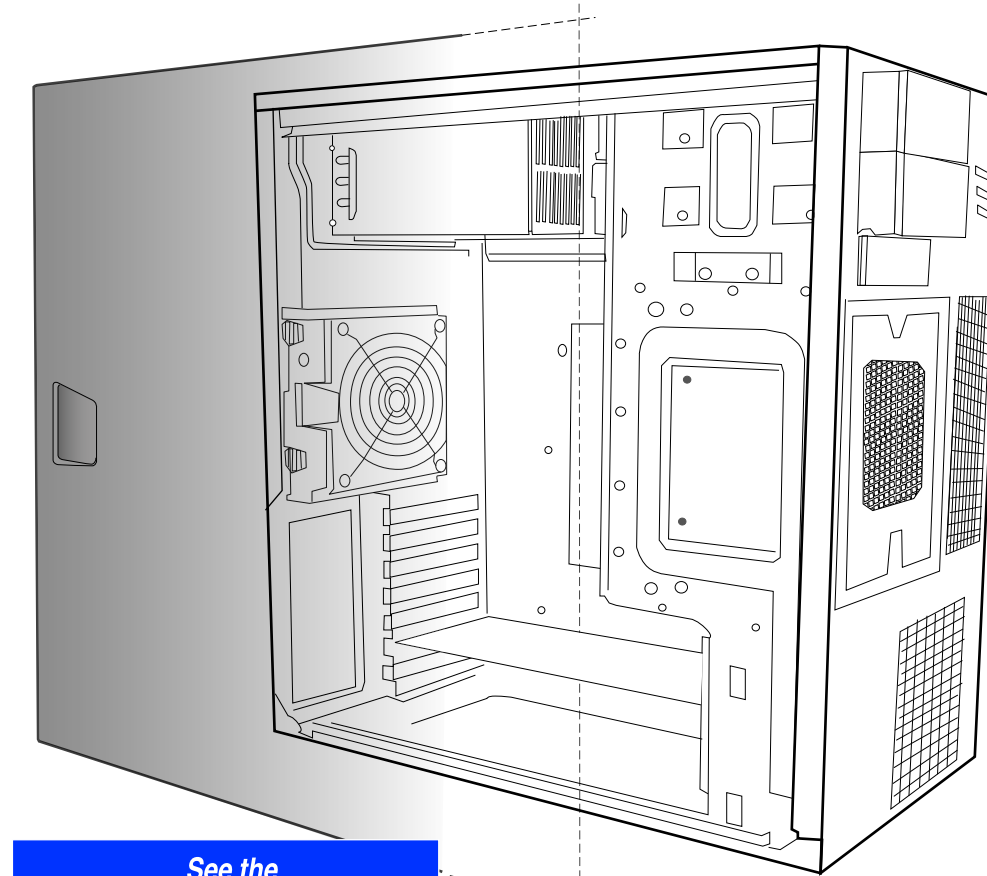
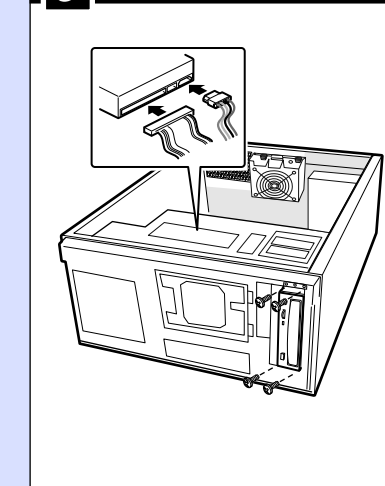
A Remove the Filler Panel



B Attach Drive Rails



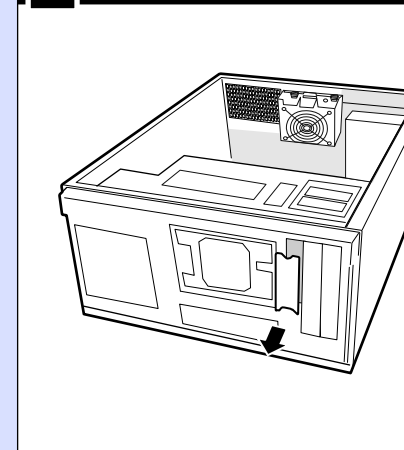
C Install CD-ROM Drive



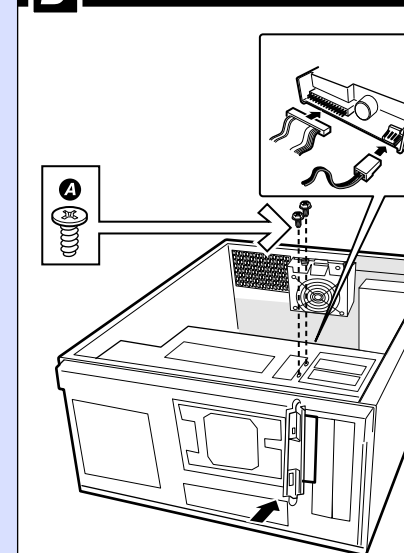
See the
Intel Server Chassis SC5250-E
Product Guide for
detailed service
descriptions and
procedures.

3 Installing a Floppy Drive

A Remove Shield and Cover

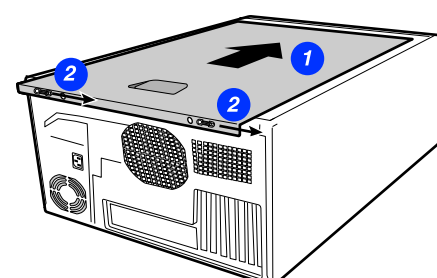


B Install Drive into Chassis



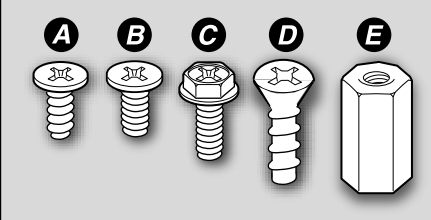
1. Slide the drive into the chassis along the built-in rails.
2. Secure the drive to the left side of the chassis with two screws (fastener A).

7 Closing the System

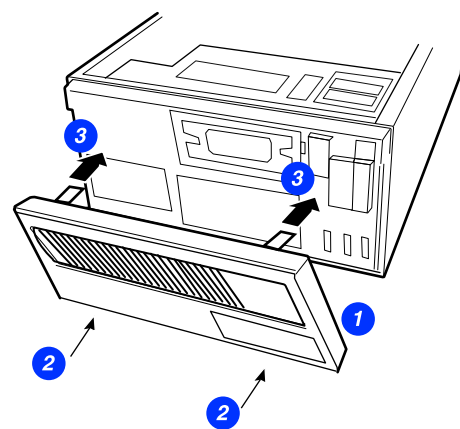


1. Replace the chassis cover.
2. Slide the thumb latches to the "locked" position.
3. (optional) Replace shipping screws.

Fastener Identification Guide



6 Installing the Bezel

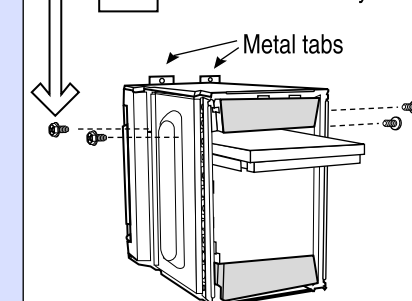


1. Position bezel so it is angled toward the chassis as shown.
2. Engage clips at the right side of the bezel (facing down in diagram) into the matching slots in the chassis.
3. Rotate left side of bezel (facing up in diagram) to engage tabs.

5 Installing a Fixed Hard Disk Drive

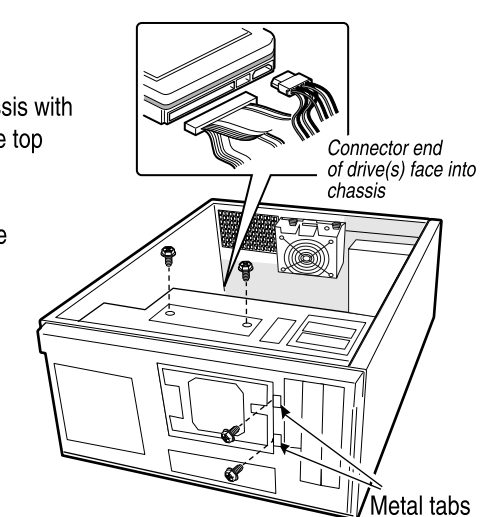
A Install Drive(s) into Hard Drive Bay Cage

1. Position the hard drive bay cage with the metal tabs and the arrow at the front of the drive bay pointing up.
2. Insert the hard drive into the cage, component side down.
3. Use two screws on each side of the cage to secure the drive in the bay.



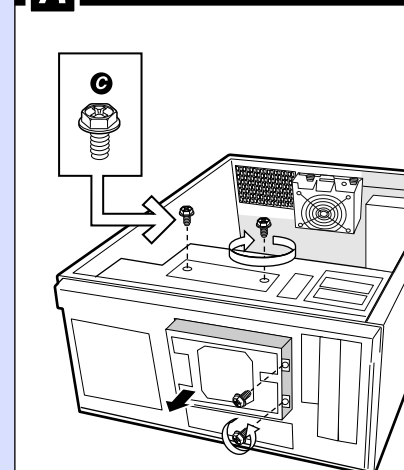
B Install Drive Carrier/Attach Cables

1. Slide the hard drive bay cage into the chassis with the arrow at the front of the cage facing the top of the chassis.
2. Connect the power and signal cables to the hard drives.



4 Server Board Installation

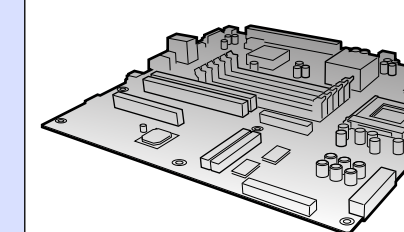
A Remove 3.5 inch Hard Drive Bay Cage



Remove the four screws that hold the hard drive bay cage in place. Slide the cage from the chassis and set it aside while you install the server board.

B Install Intel® Server Board

Open Intel Server Board box. Follow the instructions in the enclosed Quick Start User's Guide and return to this document when done.



intel®

