

Compaq ProLiant™ DL360 866- and 933-MHz Processors

Distinctive Features of the Upgraded ProLiant DL360 Servers

Compaq *ProLiant* DL360 servers are now available with Pentium III 866- or 933-MHz processors. These upgraded processors can replace the 550- and 800-MHz processors.

In addition to including the same features of the 800-MHz processor, these new models bring the following changes to the ProLiant DL360 Pentium III line:

- 866- or 933-MHz processors with 256KB integrated Level 2 cache
- An updated ROMPaq image dated 08/30/2000 or later, accessible from the Compaq website: <http://www.compaq.com/support/files/>

Table 1: Part Numbers and Configuration Codes

Server Model	Part Number	Configuration Code
ProLiant DL360 866-MHz/133-MHz (with CD and Floppy)	202895-001	FSK1
ProLiant DL360 933-MHz/133-MHz (with CD and Floppy)	210645-001	FXS1

Switch Settings

Modifying internal switch settings is not necessary when using the 866- or 933-MHz ProLiant DL360 server, either as an optional upgrade or as a newly procured system.

Upgrade Options

Table 2 lists the upgrade option kits and spares kits associated with these processors. Refer to TechInfo for a complete list of options and part numbers.

Table 2: Option and Spares Kits

Server Model	Part Number
866-MHz/133-MHz FSB Pentium III 256K Processor Option Kit (with Processor)	210645-001
866-MHz/133-MHz FSB Pentium III 256K Processor Spares Kit	203524-001
933-MHz/133-MHz FSB Pentium III 256K Processor Option Kit (with Processor)	202895-001
933-MHz/133-MHz FSB Pentium III 256K Processor Spares Kit	218262-001



Note

When upgrading to an 866- or 933-MHz system, you do not have to change the System I/O Board; however, upgrade kit P/N 217222-001 is required, and you must run ROMPaq to upgrade the ROM.

Software Supported

The 866- and 933-MHz processors support the same operating systems as the 800-MHz processor.

Service Considerations

The Pentium III FCPGA processor cannot be down-clocked; therefore, all processors must use the same frequency. Compaq does not support mixing processor frequencies.

During POST, each processor and its initialization frequency is displayed. If POST detects processors of unlike frequency, ROM halts the system.

Regulatory Compliance

! **Important**

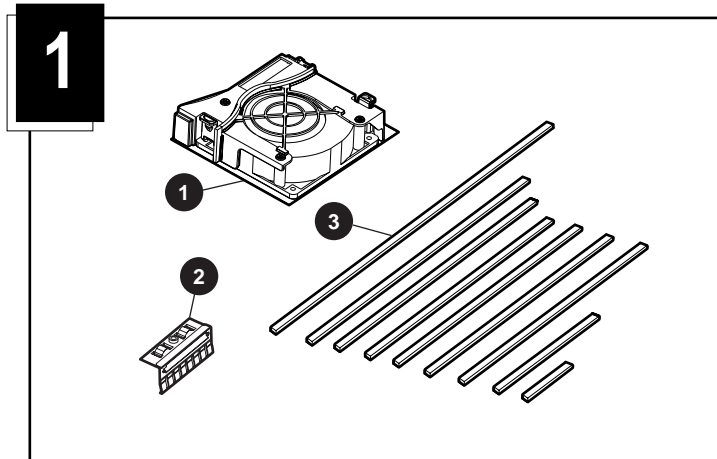
Class B Regulatory Information—Your server currently complies with the FCC Class B requirements for digital devices. To maintain compliance with Class B regulations, you must install the enclosed material according to the instructions for this upgrade kit. Failure to follow these instructions may void the user's authority to operate the equipment.

ProLiant DL360 Upgrade Kit

Product Overview

Compaq has developed an upgrade kit for the ProLiant DL360 server that includes a new fan, a new SCSI connector grounding bracket for the system board, and several gaskets. If you are upgrading your processor speed from 550- or 800-MHz to 866- or 933-MHz, you must install this kit.

Server Upgrade Kit Contents



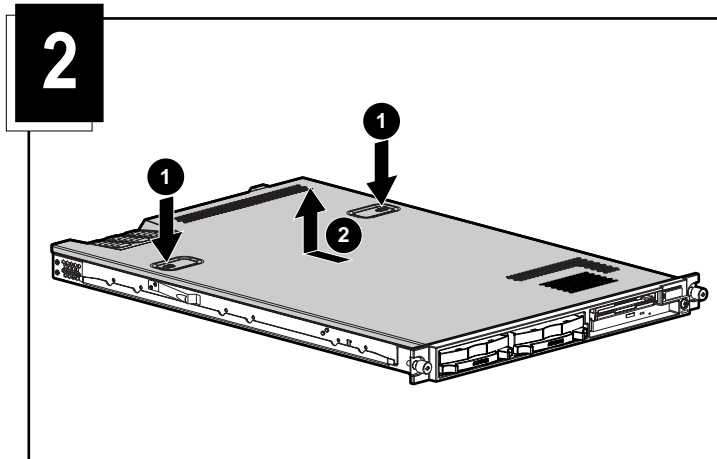
- 1 fan ①
- 1 SCSI connector grounding bracket with copper fingers ②
- 9 self-adhesive gaskets ③
 - One 8.0-inch gasket (205 mm)
 - One 6.0-inch gasket (153 mm)
 - One 4.8-inch gasket (122 mm)
 - Four 3.5-inch gaskets (90 mm)
 - One 1.9-inch gasket (48 mm)
 - One 0.8-inch gasket (20 mm)

Prepare the Server

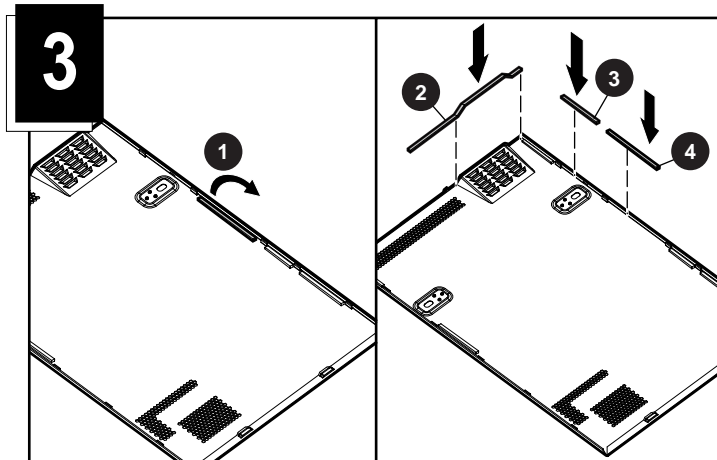
Complete the following steps before beginning the installation procedure:

1. Back up your server data.
2. Shut down the operating system as directed in your operating system instructions.
3. Put the server in standby mode by pressing the Power On/Standby Switch.
4. Disconnect the power cord and peripheral cables.
5. Remove the server from the rack. Refer to the *Compaq ProLiant DL360 Setup and Installation Guide* or the documentation shipped with your rack deployment option.
6. Place the server on a flat, level workspace.

Removing the Access Panel

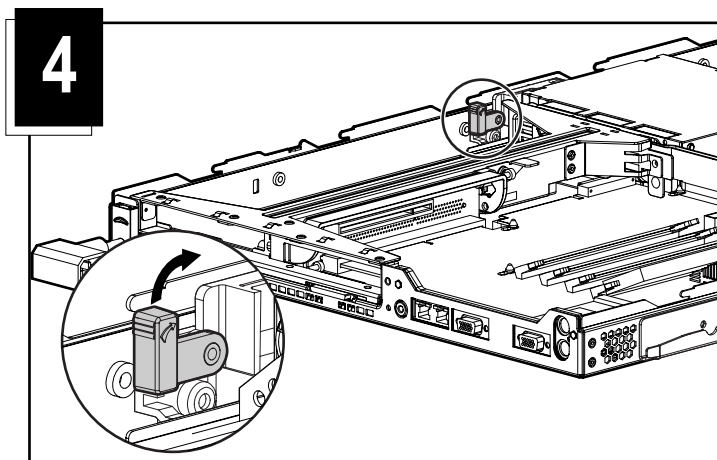


Remove One Existing Gasket and Place Three New Gaskets

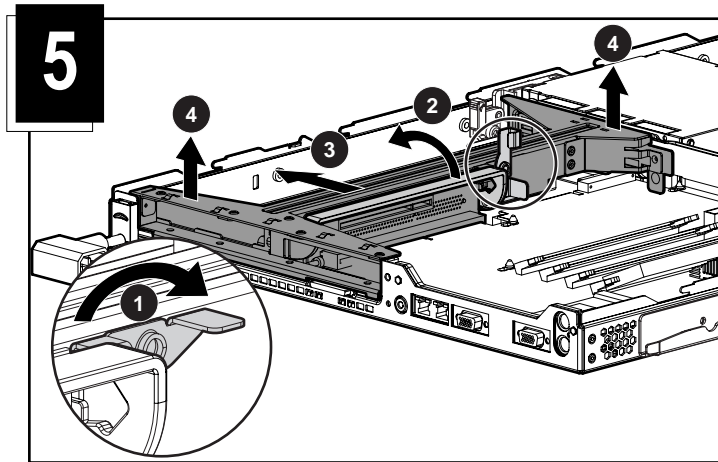


- One 8.0-inch gasket (205 mm) ②
- One 1.9-inch gasket (48 mm) ③
- One 4.8-inch gasket (122 mm) ④

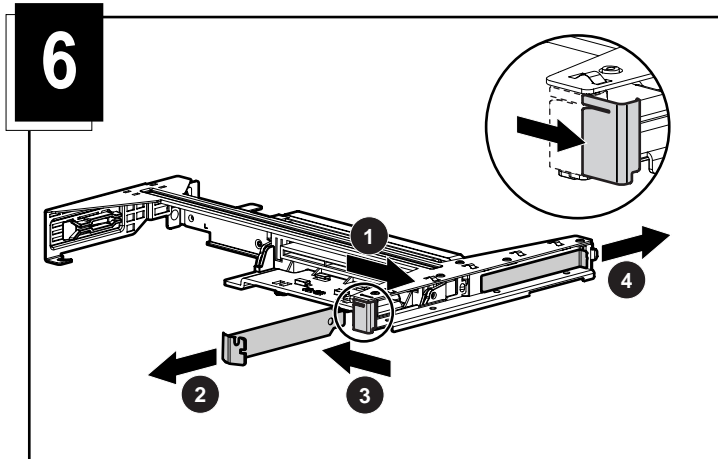
Open the Expansion Board Retaining Lever



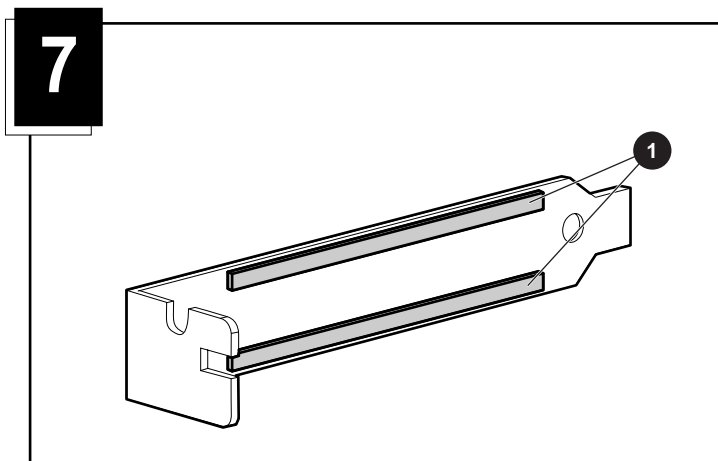
Remove the PCI Riser Board Assembly



Remove the Expansion Slot Cover

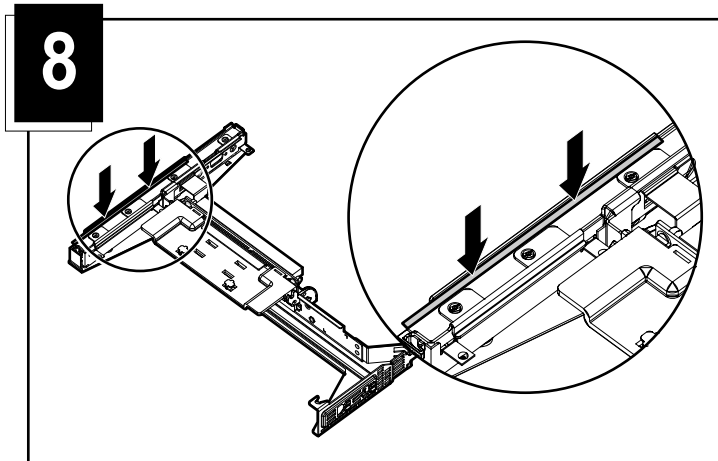


Install Two Gaskets on Each Slot Cover



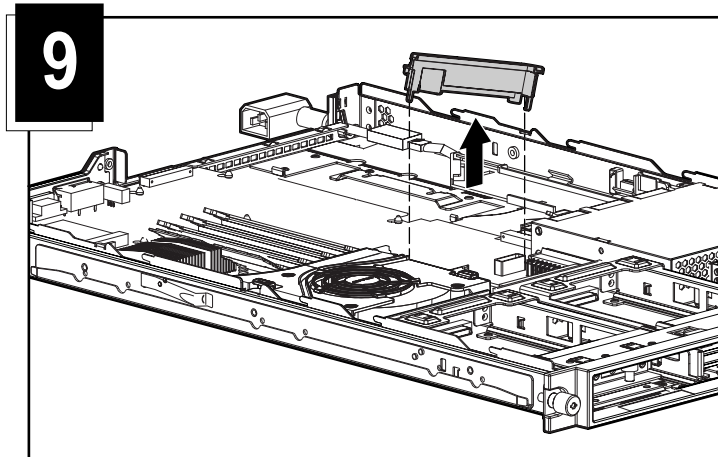
- Two 3.5-inch gaskets (90 mm) ❶

Install the PCI Riser Board Assembly Gasket

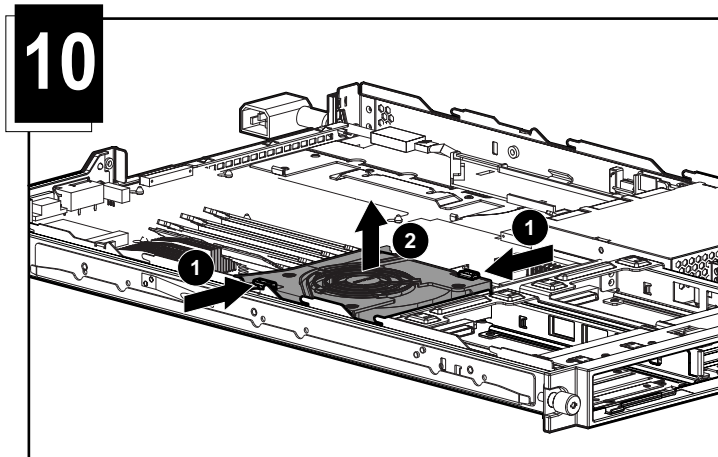


- One 6.0-inch gasket (153 mm)

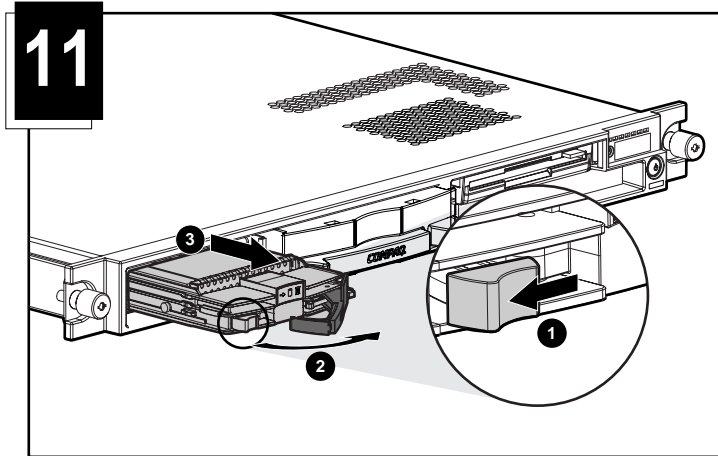
Remove the Air Baffle



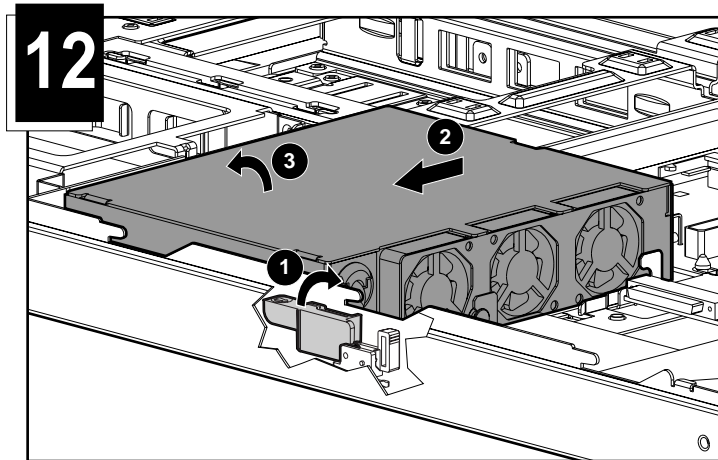
Remove the Fan Assembly



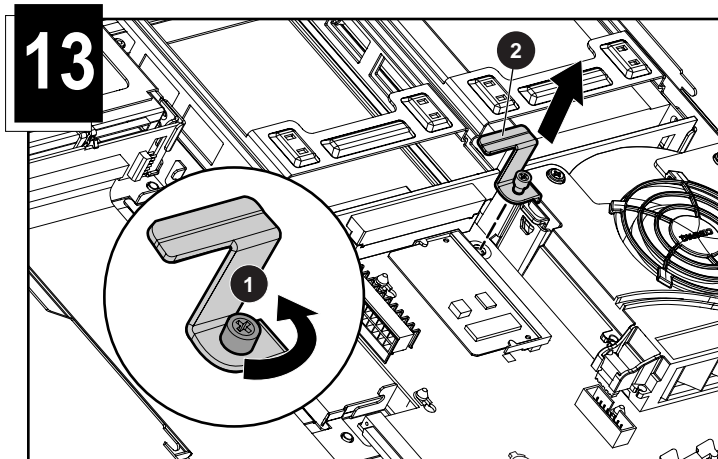
Remove the Hot-Plug SCSI Hard Drives



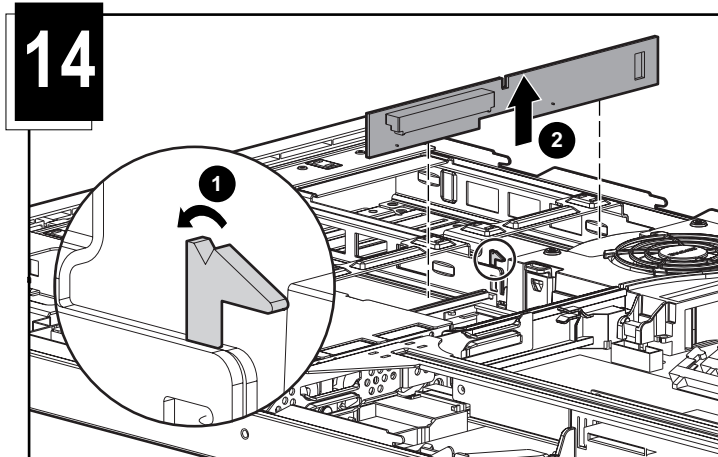
Move the Power Supply



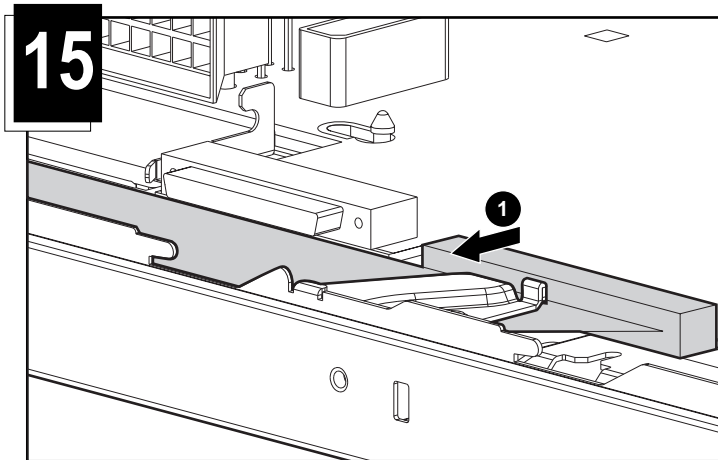
Remove the System Board Thumbscrew



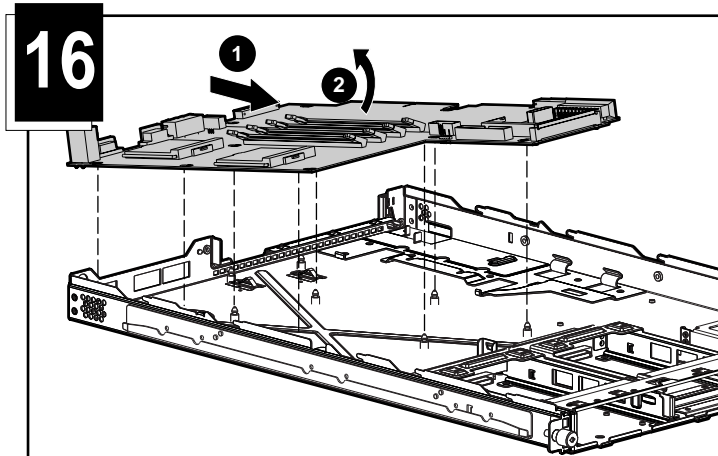
Remove the SCSI Backplane



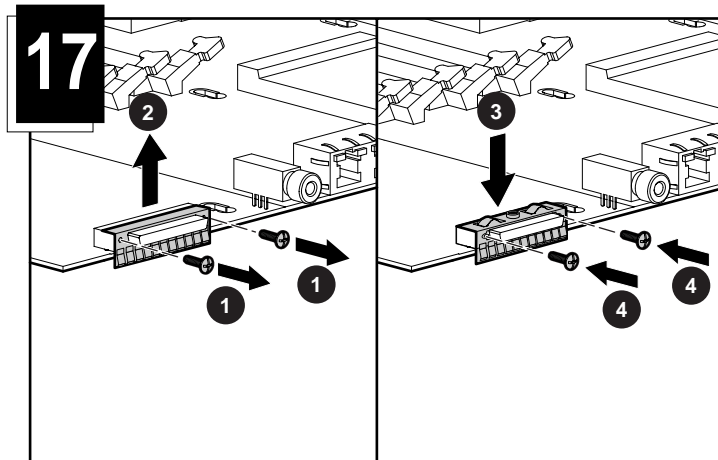
Remove the CD-ROM/Diskette Drive Assembly Cable



Remove the System Board

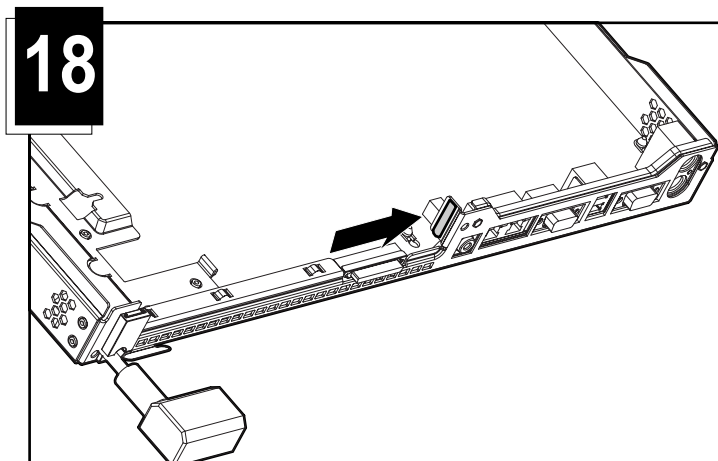


Remove and Replace the Current SCSI VHDCI Connector Grounding Bracket From the System Board



CAUTION: When you complete steps ① and ②, do not remove the black piece of Formex that is under the connector.

Install the Chassis Gasket



- One 0.8-inch gasket (20 mm)

Reassemble the Server

1. Install the system board.
2. Install the SCSI backplane.
3. Install the system board thumbscrew.
4. Connect the CD ROM/diskette drive assembly cable to the system board.

IMPORTANT: Make sure the cable is underneath the metal housing.

5. Install the new fan, ensuring that it seats properly on the pins extending from the system board.

6. Install the PCI riser board assembly.
7. Install the air baffle.
8. Install the access panel.

The installation is complete.