



**HP Industry
Standard Servers**

July 2003



White Paper
[Document No.
5982-0394EN]

HP ProLiant DL360 Generation 3 Server High-Density Deployment

Table of Contents

| | |
|---|-----------|
| Introduction | 2 |
| Symbols in Text | 2 |
| Executive Summary | 2 |
| Glossary | 3 |
| ProLiant DL360 G3 Server Power Requirements | 5 |
| Power Distribution Solutions | 6 |
| Modular PDU | 6 |
| Power/Jumper Cords | 8 |
| Console Management Systems | 8 |
| In-Rack Local Consoles | 10 |
| Planning Rack Configurations | 12 |
| Weight Considerations | 12 |
| Special Considerations For Compaq Branded Racks | 12 |
| Rack Management Systems | 13 |
| Universal Rack Rails | 13 |
| Sliding Rack Rails | 13 |
| Telco Rack Solution | 13 |
| Online Calculators | 14 |
| Power Calculator Utility | 14 |
| Rack/Site Preparation Utility | 16 |
| To use the Rack/Site Installation Preparation Utility | 17 |
| Power Configurations Examples | 18 |
| Suggested Configurations | 18 |
| Configuration A: Maximum Performance Density | 19 |
| Configuration B: Maximum Flexibility | 22 |
| Configuration C: Traditionalist | 26 |
| Conclusion | 30 |
| Completing the Installation | 30 |
| Reference Information and Glossary | 31 |
| For More Information | 32 |
| Feedback | 32 |

Introduction

This white paper is a planning guide to expedite concentrated deployments of HP ProLiant DL360 Generation 3 servers in a single rack. This information is intended for field systems engineers, IT managers, installation technicians, and any personnel tasked with the installation and maintenance of the ProLiant DL360 G3. Use this white paper in conjunction with documents for the ProLiant DL360 G3 server and HP ProLiant branded rack deployment products as necessary.

Symbols in Text

The following symbols can be found in the text of this document.



WARNING: Text set off in this manner indicates that failure to follow directions in the warning could result in bodily harm or loss of life.

IMPORTANT: Text set off in this manner presents clarifying information or specific instructions.

Note: Text set off in this manner presents commentary, sidelights, or interesting points of information.

Executive Summary

Many business enterprises and service providers implement a distributed architecture for their infrastructure, remote client access, and web applications. In these cases, individual applications are loaded on multiple machines creating the need to fit a large number of density-optimized servers into existing server rooms and data centers. HP meets this need with the density-optimized line of HP ProLiant servers, such as the ProLiant DL360 G3 server. At a height of 1U each, up to 42 of these servers can fit in a single HP ProLiant branded 42U rack. This server has clear space saving benefits; its compressed size presents new challenges for rapid server deployment, cable management, and environmental considerations.

HP engineers have developed innovations in rapid high-volume deployment and improved cable management for large installations of these servers. This white paper introduces planning, power and thermal considerations, server and rack requirements, and installation configurations. It also outlines the products associated with high-volume deployment in HP ProLiant branded rack configurations, such as keyboard, video, and mouse infrastructure. The installation of a high-density system can place significant demands on utility power that, if not considered and managed appropriately, can result in downtime due to equipment failure, power main failure, or both. Power management becomes a critical element in an enterprise system handling large volumes of data and/or users where downtime costs can easily run into thousands of dollars per hour.

IMPORTANT: This document discusses the ProLiant DL360 G3 server primarily and the HP ProLiant branded 9000- and 10000-series racks and related rack options secondarily. This document does not discuss other servers, products or racks not manufactured by HP, although the ideas presented here may be applied to third party racks.

Note: This document discusses only HP components and solutions although the information and ideas presented herein may be applicable to third party hardware.

Glossary

Table 1. Glossary of Power Terms

| Term | Description |
|-------------------------------------|--|
| High Voltage | 180 - 264 VAC (200-240 VAC nominal) supplied to areas where load requirements are such that high voltage is more economical. Common in commercial applications in North America, numerous foreign countries also use this range as the AC appliance standard. |
| Inrush Current | A high, momentary current draw occurring when power is first applied to electrical systems. This current drain is not relative to the power-on requirements of equipment; it is due to the capacitive and inductive properties of components in the power supply. |
| Keyboard/ Video/Mouse | Keyboard/video/mouse (KVM) peripherals. A KVM switch is an accessory that switches a single KVM set between two or more server units. |
| Ground Leakage Current | Residual current flow through the grounding conductor; always undesirable. With data processing occurring at ever-increasing speeds, most IT equipment these days includes capacitors in the power circuits to filter radio frequency (RF) signals to ground. While effective at filtering RF, these components tend to allow a small amount of AC current to pass to the ground. Leakage current is additive, so that as more equipment is connected to the AC mains, the amount of leakage can increase. |
| Low Voltage | 90 - 132 VAC (100-120 VAC nominal) supplied at utility outlets in homes and offices. This is the AC appliance standard used in North America, Latin America, and Japan. |
| Power Density | The amount (product) of amps and voltage provided to a system (VA). A 120-VAC 30-amp circuit will deliver a power density of 3600 VA while a 208-VAC 30-amp circuit (single-phase) will deliver a power density of 6240 VA. |
| Power Distribution Unit (PDU) | Rack-mounted component that connects directly to the building's AC power infrastructure. The PDU typically provides circuit-breaker protection for groups of AC outlets into which separate AC components of the rack are plugged. Some PDU designs offer primary/secondary switching. |
| Power Factor (Pf) | An efficiency rating that indicates the amount of watts actually consumed by a load from the volt-amperes delivered to it. The rating is expressed as either a decimal number between 0 and 1 or percentage of the formula of dividing watts by volt-amperes. A power factor of 1 indicates that a device receiving 1 VA is consuming 1 watt. |
| Power Service | Point at where electrical power enters a building or equipment room. |

continued

Table 1. Glossary of Power Terms

| Term | Description |
|------------------|--|
| Volt-Ampere (VA) | A rating of apparent power (i.e., the amount of AC power that is available to or can be handled by utility equipment) measured with a volt meter and an ammeter. In single-phase systems $VA = E \times I$, where E = volts, I = current in amperes. In three-phase systems $VA = 1.73 \times E \times I$. |
| Watt (W) | A rating of true power consumed by the product and measured with an input power meter. In single-phase systems $W = E \times I \times pf$, where E = volts, I = current in amperes, and pf = power factor. |

ProLiant DL360 G3 Server Power Requirements

In the standard single-processor configuration, the ProLiant DL360 G3 server includes one 325-watt power supply that can operate off high or low voltage AC power. Single power supply units can be upgraded to a dual-power supply configuration with a redundant power supply option kit. The power supplies are hot-pluggable, allowing live removal and replacement.

The ProLiant DL360 G3 server uses an IEC C14-type AC plug that requires a power cable with an IEC C13 receptacle at one end. Power cord kits that are compatible with the physical and electrical requirements of the DL360 G3 are available from HP and listed later in this document.

The ProLiant DL360 G3 server power specifications are provided in the following table using values derived from the product specification as well as the [Power Calculator](#) utility with a server in nominal and maximum configurations.

Table 2. ProLiant DL360 G3 Server Power Specifications

| | Input Voltage | | | | | |
|-------------------------------|---------------|------|------|------|------|------|
| | 100 | 115 | 208 | 220 | 230 | 240 |
| Power Supply Rated Output (W) | 325 | 325 | 325 | 325 | 325 | 325 |
| Nom. Input Wattage (W) | 234 | 232 | 227 | 224 | 222 | 220 |
| Max. Input Wattage (W) | 338 | 336 | 329 | 326 | 324 | 321 |
| Nom. Input Current Draw (A) | 2.4 | 2.1 | 1.1 | 1.0 | 1.0 | 0.9 |
| Max. Input Current Draw (A) | 3.5 | 3.0 | 1.6 | 1.5 | 1.4 | 1.4 |
| Nom. Input (Va) | 238 | 237 | 231 | 228 | 227 | 225 |
| Max. Input (Va) | 345 | 343 | 336 | 332 | 330 | 328 |
| Max. Thermal (Btu/Hr) | 1154 | 1146 | 1123 | 1111 | 1104 | 1095 |
| Efficiency (%) | 72.1 | 72.6 | 74.1 | 74.9 | 75.4 | 76.0 |
| Power Factor | 0.98 | 0.98 | 0.98 | 0.98 | 0.98 | 0.98 |
| Nom. Leakage Current (Ma) | 0.31 | 0.36 | 0.65 | 0.69 | 0.72 | 0.75 |
| Max. Leakage Current (Ma) | 0.63 | 0.72 | 1.30 | 1.38 | 1.44 | 1.50 |
| Nom Inrush Current (A) @ 2 Ms | 30 | 30 | 30 | 30 | 30 | 30 |
| Max Inrush Current (A) @ 2 Ms | 60 | 60 | 60 | 60 | 60 | 60 |

NOTES:

Nom. = Nominal rating of a unit operating w/ one processor, 1HDD, up to 2 DIMMs, and no PCI cards.

Max. = Maximum rating of a fully loaded unit: 2 processors, 2HDD, 4 DIMMs, 1 PCI cards, and 2 power supplies.

These values are derived from a combination of product specifications and the Power Calculator configured as above in "Nom" and "Max."

Power Distribution Solutions

HP recommends using power distribution units (PDUs) in installations where a number of server units can place serious loading demands on the AC power bus. HP offers PDUs that provide safety and reliability to multi-server installations.

The PDUs described in this white paper offer 0U and 1U mounting options and feature circuit-breaker protection of equipment in groups.

Figure 1 shows a PDU using the 0U rack mounting option. This configuration may be preferable in a high-density installation requiring the maximum amount of vertical space for servers and other active components. The 0U configuration offers the following advantages:

- Saves vertical rack space for equipment requiring more operator/maintenance accessibility.
- Easy access to power connections

Figure 2 shows a PDU using the 1U rack mounting option. This configuration may be preferable in installations where operator or maintenance accessibility to all components is key. The 1U configuration offers the following advantages:

- Easy access to all switches and circuit breakers.
- Easy viewing of circuit status LED.
- Easy access for service replacement or upgrade.

Figure 1. 0U Rack Mounting Option



Figure 2. 1U Rack Mounting Option



Modular PDU

The Modular PDU consists of a control core that connects to the power bus (or to a UPS) and four extension bars that distribute power to the equipment groups. The control core includes a 15A circuit breaker for each of the four C19-type extension bar outputs. Available in low- and high-voltage versions, the modular PDU comes with three types of extension bars to accommodate a variety of distribution requirements. The control core may be rack-mounted in a 0U or 1U configuration. The extension bars include both single-bar and double-bar mounting brackets for attachment to vertical rack supports. Several versions of Modular PDUs are available to meet a variety of electrical requirements as indicated in Table 3.

Figure 3. Modular PDU Components


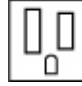







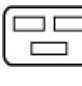
Control Core



Extension Bar (2 of 4)
Shown with Double-Bar Brackets



Table 3. Modular PDU types

| Name, PN | Voltage / Amperage | AC Bus Plug Type | Extension Bar Output Receptacle Type (Qty) |
|----------------------------------|--------------------|--|--|
| 24A NA/JPN Low, 252663-D71 | 100-127/ 24 | NEMA L5-30P  | 4 x NEMA 5-15R (8)  |
| 24A NA/JPN High, 252663-D72 | 200-240 / 24 | NEMA L6-30P  | 4 x IEC 320 C13 (8)  |
| 32A International, 252663-B31 | 200-240 / 32 | IEC 309 32A  | 4 x IEC 320 C13 (8)  |
| 40A World Wide, 252663-B21 | 200-240 / 40 | Terminals for hardwiring | 3 x IEC 320 C13 (8)  1 x IEC 320 C19 (4)  |
| 16A World Wide 252663-B24 | 200-240 / 16 | 1 x IEC 320 C20 (1)  | 1 x IEC 320 C19 (2)  |

Power/Jumper Cords

Although PDUs and servers are typically shipped with power cords, the physical and/or electrical requirements for a particular configuration may require different cords.



WARNING: Never cut or splice cords to accommodate a configuration. Personal injury or equipment damage could result in the use of improper power cords. The correct factory cord should always be used.

| Description | HP Part # | Description |
|---------------------------|--------------------------------|--|
| PDU Y- Cable kit | 310782-B21 | This kit includes 1 Y-cable which is 10-ft long with a 6-ft section on the single-side and 4-ft sections on the dual-side. |
| 10A IEC-to-IEC Cables kit | 142257-001 (6 ft) | The IEC-to-IEC cables can be used either as individual power cords for the server or to extend the length of the high-voltage Y-cables. The cables are available in 6-, 8-, and 10-foot lengths. The ProLiant DL360 G3 Server ships with one 10-ft IEC to IEC cable, part number 142257-003. |
| | 142257-002 (8 ft) | |
| | 142257-003 (10 ft) | |
| | 142257-006 (4.5 ft) | |
| | 142257-007 (4.5 ft) 15 each | |

Console Management Systems

A KVM (keyboard, video, and mouse) console management system enables a single keyboard and video console to control multiple servers. An in-rack console management system may be used to manage a single rack of servers or groups of racks. The HP IP console switch products have 16 ports that can access up to 128 servers. The HP IP Consoling Solution combines analog and digital technology to provide flexible, centralized KVM control of data center servers. This solution provides enterprise customers with a significant reduction in cable volume, secure remote access, and high-performance server KVM access. Using the IP console viewer, users can access local KVM functions from any Windows® or Linux workstation by means of a 10/100 network connection. Alternatively, an off-rack console management system may also be used in the local vicinity of the servers it manages.

Table 4. Local/IP Console Management Options

| Product Name | HP Part No. | Description |
|--------------------------|-------------|--|
| 1x1x16 IP Console Switch | 262585-B21 | 16-port KVM switch - provides access for 2 simultaneous user sessions (1 network session and 1 local session at a rack-mounted console) |
| 3x1x16 IP Console Switch | 262586-B21 | 16-port KVM switch - provides access for up to 4 simultaneous user sessions (3 network sessions and 1 local session at a rack-mounted console) |

Continued

Table 4. Local/IP Console Management Options

| Product Name | HP Part No. | Description |
|---|--------------------|--|
| 4Interface Adapters (8 per Pack) | 262587-B21 | Transitions traditional KVM cabling to CAT5 - one needed for each server (convenient 8-pack) |
| Interface Adapters (Single Pack) | 262588-B21 | Transitions traditional KVM cabling to CAT5 - one for each server |
| Expansion Module | 262589-B21 | Enables tiering of up to 8 servers per port on the IP console switch |
| CAT5 Cables 3FT (4 per Pack) | 263474-B21 | 4-pack of 3-ft UTP CAT5 cables with RJ-45 connectors |
| CAT5 Cables 6FT (8 per Pack) | 263474-B22 | 8-pack of 6-ft UTP CAT5 cables with RJ-45 connectors |
| CAT5 Cables 12FT (8 per Pack) | 263474-B23 | 8-pack of 12-ft UTP CAT5 cables with RJ-45 connectors |
| CAT5 Cables 20FT (4 per Pack) | 263474-B24 | 4-pack of 20-ft UTP CAT5 cables with RJ-45 connectors |
| CAT5 Cables 40FT (1 per Pack) | 263474-B25 | Single 40-ft UTP CAT5 cable with RJ-45 connectors |
| TFT5600 Rack-Mount Keyboard and Monitor | 221546-001 | 1U integrated keyboard and monitor. |
| TFT5110R Flat Panel Monitor | 281683-B21 | 1U rack-optimized monitor (keyboard not included). |
| Integrated Keyboard and Drawer | 257054-001 | 1U Keyboard with Hot keys |

In-Rack Local Consoles

With an in-rack local console, all equipment, servers, switchboxes, keyboards, keyboard drawers, and video displays are installed together in the same rack. The HP switchboxes mount behind the keyboard drawer and do not consume extra U-space in the rack. Using the TFT5600 RKM and an IP console switch will consume a total of 1U to accommodate up to 128 servers. One console switchbox can support up to 16 directly attached servers with no user blocking. Up to eight servers may be tiered or cascaded on each switch port using either a legacy Compaq KVM switch or an Expansion Module; however, only one user can access tiered switches or servers connected by Expansion Modules at any one time. Critical devices requiring frequent access should be attached directly to a switch port. Server accessibility should be assessed by the IT manager before deployment to determine the appropriate server density per console switch.

Table 5 outlines the number of devices that fully populate a 47U, 42U, or 36U rack with an in-rack local console.

Table 5. Device Configuration for an In-Rack Local IP Console

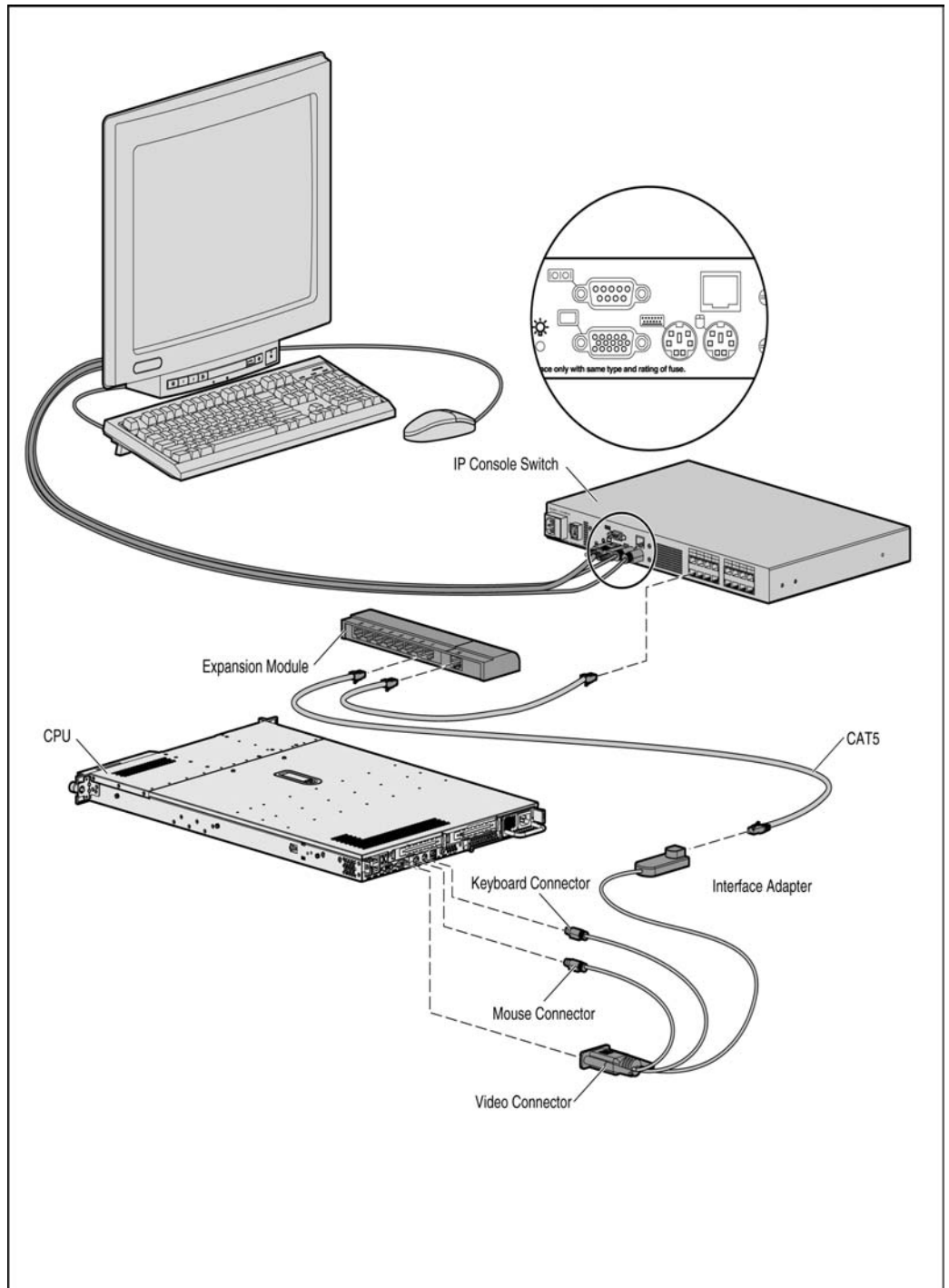
| Device or Cable | 47U Rack | 42U Rack | 36U Rack |
|---|----------|----------|----------|
| ProLiant DL360/320 G3 servers | 46 | 41 | 35 |
| KVM IP Console Switches | 1 | 1 | 1 |
| Interface adapters | 46 | 41 | 35 |
| UTP CAT5 cables for KVM access | 46 | 41 | 35 |
| Expansion modules | 4-16 | 3-16 | 3-16 |
| TFT5600 RKM (integrated monitor/keyboard) | 1 | 1 | 1 |

Each server deployed in a fully populated rack with an in-rack IP console management system requires the following accessories for successful deployment and operation (Figure 4):

- Interface adapter
- UTP CAT5 cable [1.8-m (6-ft) cables for sliding rail solutions].

Universal Rack Rail (the quick deploy rail kit that ships standard with the server and comes with a cable management solution), or the option Sliding Rail Kit (with cable management solution), or optional telco rack solution.

Figure 4. Remote Console Management System



Planning Rack Configurations

You must consider several important factors when planning a rack configuration:

- The number of servers deployed in the rack
- The number of other devices such as keyboard drawers, video displays, and console switchboxes that support the servers
- The number of PDUs and their orientation
- The type of rack
- The rack management system
- The console management system
- The remote management system
- Network Interface scheme

All of these factors influence floor support requirements, future service and upgrade requirements, and installation requirements.

Weight Considerations

Due to the higher densities possible with today's DL servers and ProLiant Infrastructure products, it is now possible to configure a rack that can potentially present floor loading issues. This is even more important when several of these enclosures are positioned in the same row. The [Rack/Site Installation Preparation Utility](#) provides you with total rack weight information that should be used to verify the floor loading remains within design specifications.

Special Considerations For Compaq Branded Racks

Use the following considerations as guidelines for the ProLiant DL360 G3 server.



WARNING: Follow these guidelines to reduce the risk of personal injury or damage to the equipment:

- **Do not install a ProLiant DL360 G3 server into a rack until the rack has been placed in its final location.**
- **Preinstall slide rails, PDUs, power cords, and cables into the rack in a build room or other location before moving the rack to its final location.**
- **Extend the leveling jacks to the floor and rest the full weight of the rack on the jacks before installing any servers. The casters are not designed to support the full weight of a populated rack.**
- **Do not move a rack populated with servers. A fully populated rack can weigh up to 771 kg (1,700 lbs). Moving a populated rack can cause the rack to become unstable, resulting in serious personal injury or equipment damage.**

To effectively cool the ProLiant DL360 G3 server in a Compaq branded 7000-series rack, replace the front door of the rack with the High Air Flow Rack-Door. Install the door before deploying the servers in the rack.

Use the Rack Extension kit (P/N 154392-B21) to alleviate any space problems for cable bundles at the rear of Compaq branded 7000-series racks.

Rack Management Systems

To determine the best rack management solution, consider the service and upgrade demands of the servers deployed in the rack.

Universal Rack Rails

The ProLiant DL360 G3 server design supports deployment in many environments. The server ships standard in a Universal Rack Rail that works in both round- and square-hole rack cabinets. This kit includes variable length rack rails that are compatible with a variety of third-party racks depths and will work with either round or square holes. The Universal Rack Rail can be installed in racks that are 610 mm to 787 mm (24 in to 31 in) deep.

Sliding Rack Rails

The Sliding Rack Rails and cable management solution are conducive to in-rack servicing and provide convenient access to the server cables and connectors. With this solution, a server can be powered down and serviced without disconnecting the server cables or removing the server from the rack.

The optional Sliding Rack Rails and cable management solution use the same adjustable depth rack rail mechanism for either square- or round-hole racks. Therefore, they are designed for HP ProLiant branded or third-party racks. The sliding rack rails compress and snap securely in place in the rack without screws or nuts.

A steel-cable pulley operates as the cable management solution and attaches directly onto the rear of the rack rail. It secures and routes the power, network, KVM cords, and cables along the rear of the rack. When a server is extended from the front of the rack for servicing, the steel cable from the cable pulley extends as well. This not only prevents the cables from sagging and tangling, but it also enables proper air ventilation through the rack while enabling the servers to be fully extended without disconnecting any of the server cables.

Refer to the HP ProLiant DL360 Generation 3 Setup and Installation Guide for complete installation instructions.

Telco Rack Solution

Many data centers use two post telecommunication (telco) racks. The ProLiant DL360 G3 server design supports deployment in telco racks. HP offers a telco rack kit designed to install ProLiant DL360 G3 servers in telco racks. This kit includes rack rails and screws that are compatible with a variety of telco racks. The telco rack kit includes replacement server rails designed to fit on the server. Before deploying the servers into a telco rack, remove the standard server rails and replace them with the telco server rails included in the telco rack kit.

Online Calculators

HP provides online calculator utilities that simplify the process of determining power requirements and offer convenient “what if” calculations. These utilities, available online at no charge, offer several advantages over “scratch pad” methods using nameplate figures:

- Calculations are based on formulas using actual measurements of equipment running various exercise utilities.
- Calculations are based on active components exercised at 100% duty cycle, generally allowing headroom for typical installations.
- Air volume calculations based on measurements taken in equipment operating with an airflow chamber.

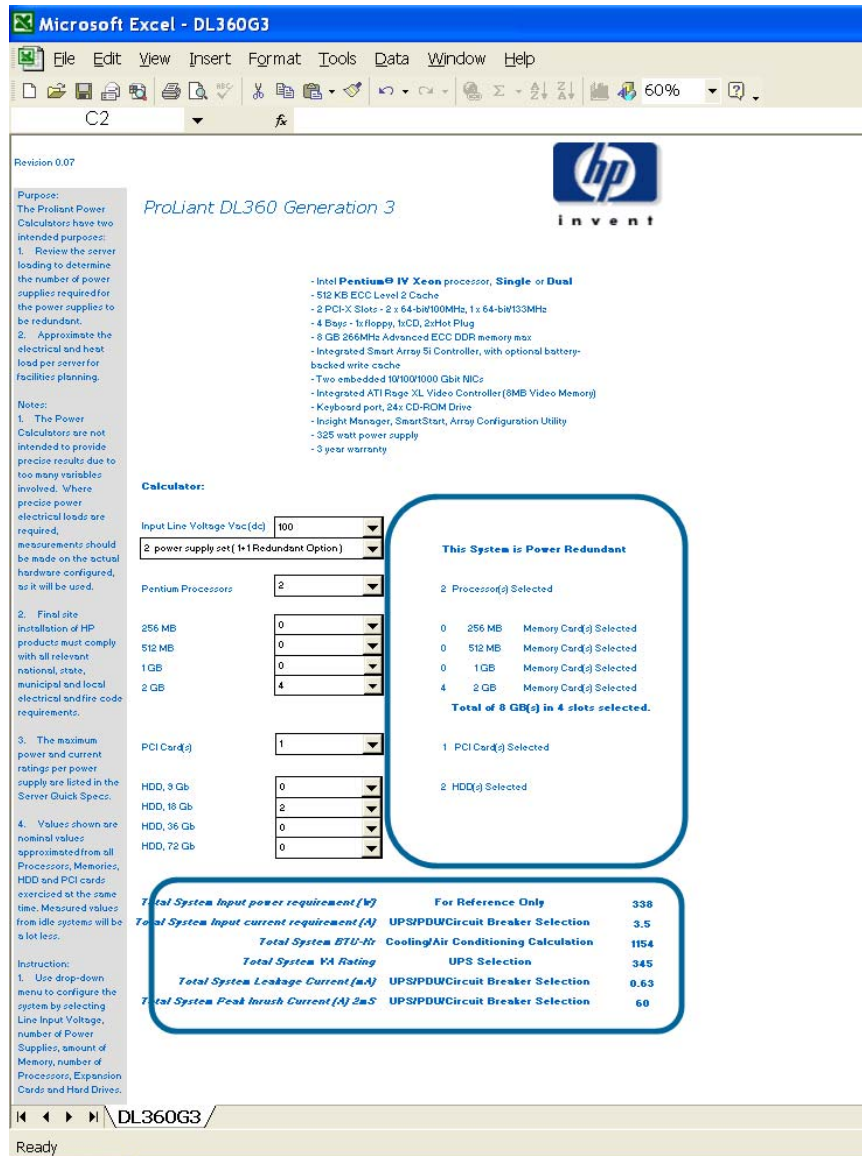
The “active answers” section of the HP web page provides two types of online calculators:

- [Power Calculator](#) – Calculates the power requirements for a single DL360 G3 server
- [Rack/Site Installation Preparation Utility](#) – Calculates the power, vertical space, and air flow/cooling requirements for a complete rack of servers.

Power Calculator Utility

The [Power Calculator](#) utility (Figure 5) computes the power requirements for a single DL360 G3 server. Using drop-down menus, the user selects the number of CPUs, memory amount, hard drive type and amount, and PCI card compliment of the server. Each configuration change is re-calculated instantly, and a yellow warning message will be displayed if a particular parameter will not work or seriously impede performance.

Figure 5. Opening Screen Of Power Calculator Utility



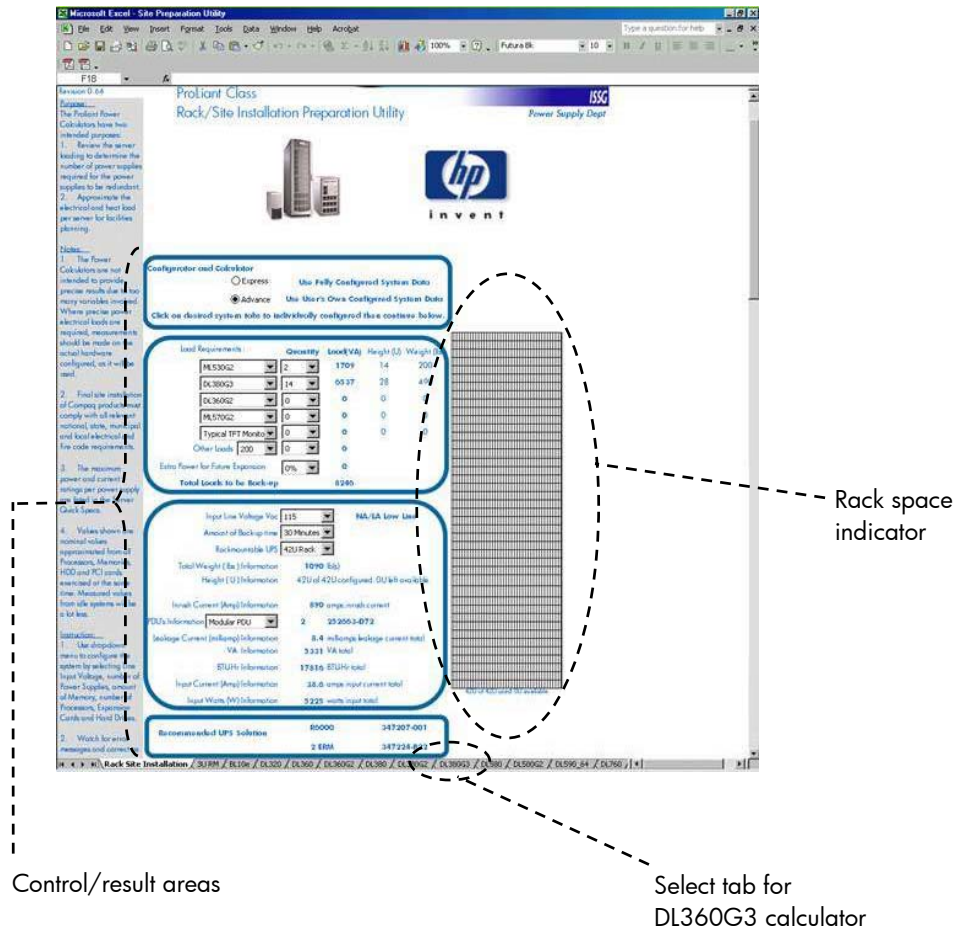
The power calculator is convenient for small server system planning or for making minor additions to existing installations. For a more thorough analysis of a complete installation the [Rack/Site Installation Preparation Utility](#) is recommended.

Rack/Site Preparation Utility

The [Rack/Site Installation Preparation Utility](#) will calculate all power, vertical rack space, and air flow requirements for a complete server installation. In addition, the [Rack/Site Installation Preparation Utility](#) includes sub-calculators for determining the power requirements of individual components.

The Rack/Site Preparation utility is accessed through the HP active answers web site. The user is presented with the main screen (Figure 6), which includes four control/result areas, individual calculator tabs, and a rack space indicator.

Figure 6. Opening Screen Of Rack/Site Installation Preparation Utility



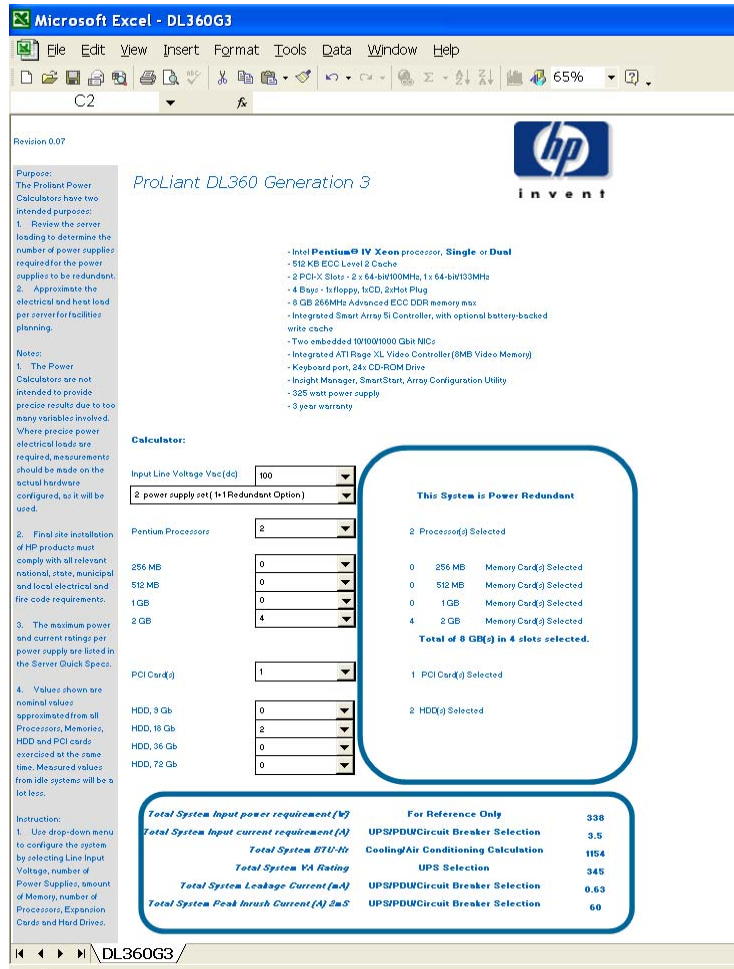
To use the Rack/Site Installation Preparation Utility

Select either the "Express" or "Advanced" mode of calculation. Express calculation uses pre-set values for components and can be used for producing a quick estimate of system requirements. Advanced calculation requires user to configure individual components and is recommended for final installation planning. If "Express" mode is selected, proceed to step 5.

1. Select "DL360G3" tab at bottom of screen. The individual component configuration page is displayed (Figure 7). Starting with the line voltage, select the configuration parameters desired, scrolling down to ensure all appropriate parameters are chosen. Be aware of error messages indicating possible problems.
2. When component configuration is complete, click on "Rack Site Installation" tab to return to the main calculator page (Figure 6).

Complete the "Load Requirements" and "Input Line Voltage" configuration areas. Each configuration change will be calculated instantly. The rack space indicator indicates the amount of vertical space used/available.

Figure 7. Opening Screen Of Individual Component Calculator



Power Configurations Examples

The high/low voltage and dual-power supply capabilities of the ProLiant DL360 G3 makes it adaptable to a variety of power configurations. Each of the following examples suggests a method of power distribution for a group of servers mounted in a rack. These examples illustrate server power configurations only as well as ways to accomplish server management using iLO and KVM switching products and do not take into account such accessories as KVM switches and display monitors that are typically included in an installation.

Suggested Configurations

Table 6 is a Quick Reference table with suggested rack configurations for deploying ProLiant DL360 G3 servers. Examples of these configurations are further explained later in this section in Configurations A, B, and C.

Table 6. Suggested Rack Configurations Quick Reference

| Configuration | A | B | C |
|------------------------------|--|---|---|
| Priority | Maximum Performance Density | Maximum Flexibility with Redundant Power | Traditionalist |
| Rack Size | 42U | 42U | 42U |
| Server Count | 42 | 35 | 24 |
| Power Source | High Voltage | High Voltage | Low Voltage |
| PDU | 4 x 40 Amp Modular PDU | 4 x 40 Amp PDU | 4 x 24 Amp PDU |
| KVM Switching | No local KVM Switching (iLO only) | IP Console Switch | IP Console Switch |
| Local Console | No Local Console | TFT5600RKM | TFT5600 RKM |
| Lights-Out Management | iLO Advanced | iLO Advanced | iLO Standard or iLO Advanced |
| IP Connections | 1 x 48 Port 10/100 Ethernet Switch (44+4)* for iLO 6 x 16 Port Gigabit Ethernet Switch for data | 2 x 24 Port 10/100 Ethernet Switch (22+2)** for iLO 1 x 48 Port Gigabit Ethernet Switch (44+4)* for data | 2 x 24 Port 10/100 Ethernet Hub for iLO 2 x 48 Port Gigabit Ethernet Switch (44+4)* for data |
| | * 44 10/100 ports plus 4 Gigabit uplink ports | | |
| | ** 22 10/100 ports plus 2 Gigabit uplink ports | | |

Configuration A:
Maximum
Performance Density

(42 servers, high-voltage) Single or Dual Power Supply

This configuration shows a “best practice” for a 42U rack with 42 servers in a high-voltage configuration summary (Table 7).

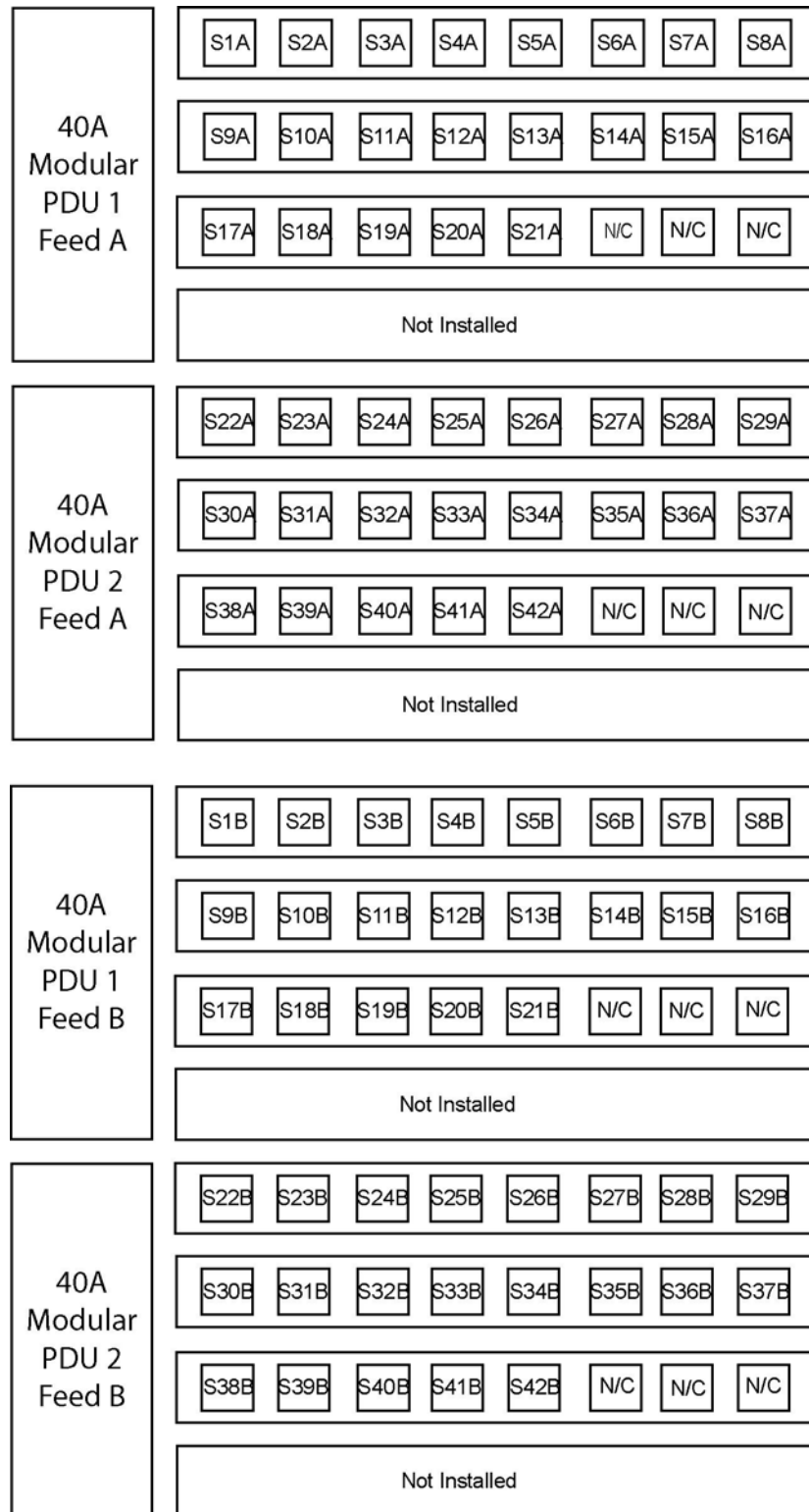
Table 7. Configuration A Summary

| Configuration A Summary |
|--|
| <p><u>Rack Contents</u></p> <p>Rack HP ProLiant Model 10462 rack with 42U of mounting space</p> <p>Units 42 Servers with all fixed or all sliding rails with cable trays 2 High-voltage 40 A Modular PDUs</p> <p>Internal Cables 42 Standard IEC-IEC jumper cords going to and from the servers to the Extension Bars mounted at the rear of the rack</p> <p>Cables External to Rack 42 (management) network cables from the Integrated Lights-Out RJ45 connector to external 48 port Ethernet switches with 44 10/100 ports and 4 Gigabit ports 84 (data) network cables from the on-board 10/100/1000 NICs RJ-45 connectors to six external 24 port Gigabit Ethernet switches, assuming use of two LAN connections per server 2 high-voltage input power cords hardwired from the PDUs to facility AC power feeds</p> <p><u>Site Utility Requirements (worst-case)</u></p> <p>Power: 2 dedicated 200 V - 240 V 50 A branch circuits.</p> <p>Thermal: Up to 50,414 BTUs/hour [This number is a worst-case. The actual BTUs/hour will depend on the OS/application software running and the server hardware configurations.]</p> <p>Weight: Up to 907.18 kg (2,000 lb) (with sliding-rails) [The network cables are not accounted for since most implementations route the network cables to the ceiling-hung cable rails outside of the rack.]</p> |

The optional Integrated Lights-Out Advanced Pack is recommended for all console management (local and remote) for this configuration (Figure 9). The network cables originating from each server connect to network switches outside this rack enclosure. The use of the Double-Bar mounting brackets for the Modular PDU is highly recommended. This will allow the maximum number of outlets to mounted same side of the rack enclosure as the server power supply connection.

Note: No KVM switches are used in Configuration A. The Integrated Lights-Out Advanced Pack handles all of the local consoles. See Figure 9 for the Ethernet Cable Diagram.

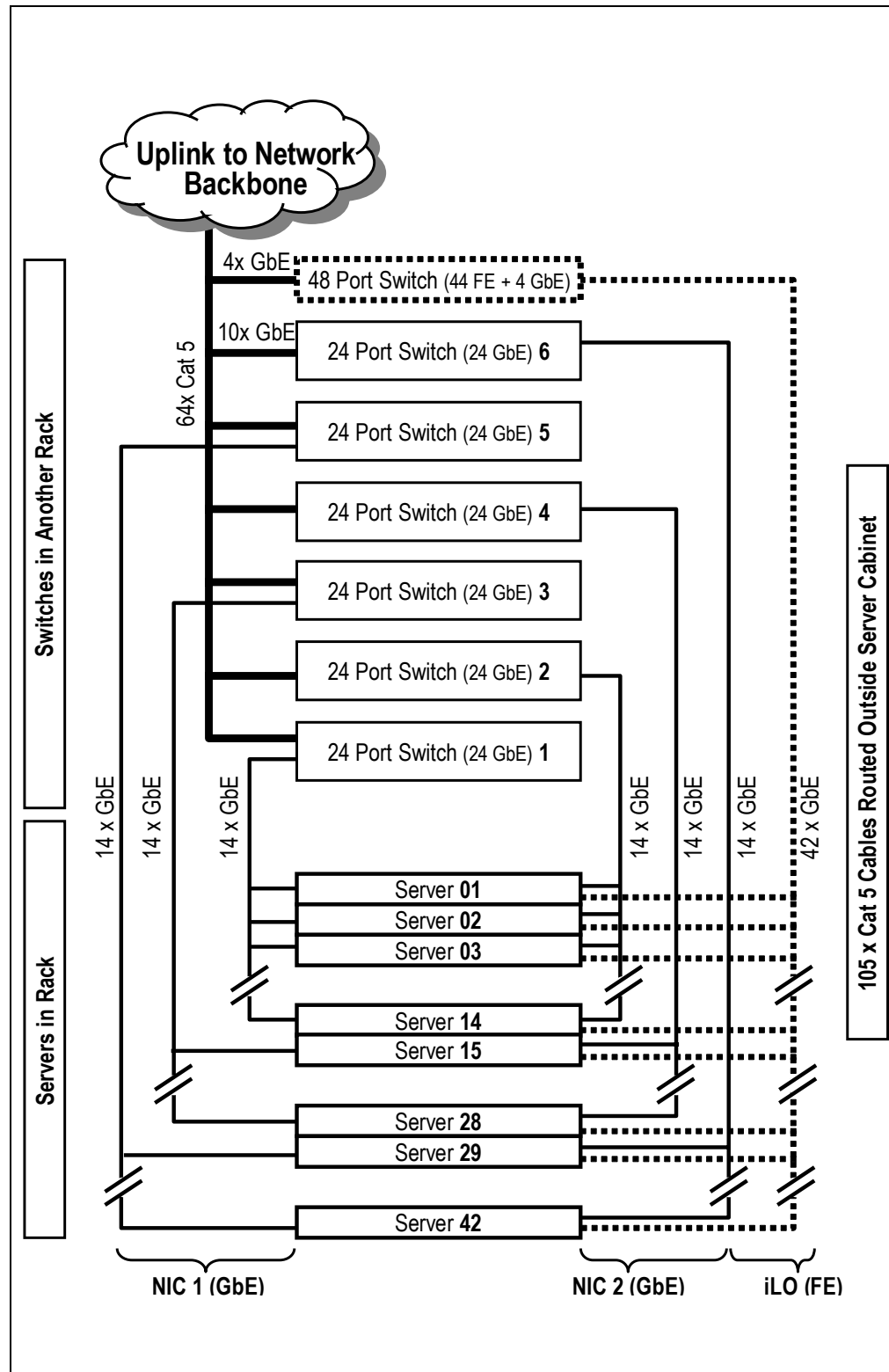
**Figure 8. Configuration A (Maximum Performance Density) Power Cabling Diagram
(42 DL360 G3 Servers with Redundant Power Supplies)**



Note: S1A= server 1 with power supply A and S1B= Server 1 with power supply B

One 40A Modular PDU connects to power feeds A and B to support 21 DL360 G3s with redundant power supplies.

Figure 9. Configuration A (Maximum Performance Density) Ethernet Cable Diagram



Configuration B:
Maximum Flexibility

(35 servers, high-voltage)

Table 8. Configuration B Summary

Configuration B Summary

Rack Contents

Units

35 Servers with all fixed or all sliding rails with cable trays

2 X 40 A PDUs

2 x 48 Port Ethernet switches

2 x 24 Port Ethernet switches

1 IP Console KVM Switch

35 Interface Adapters

4 Expansion Modules

1 TFT5600RKM

Internal Cables

70 standard IEC-IEC jumper cords going to from the servers to the Extension Bars mounted at the rear of the rack

Cables External to Rack

35 (management) network cables from the Integrated Lights-Out Edition's RJ-45 connector to two external 24 port Ethernet switches, each with 22 10/100 ports and 2 Gigabit ports

70 (data) network cables from the on-board 10/100/1000 NICs' RJ-45 connectors to external 48 port Ethernet switches with 44 10/100 ports and 4 Gigabit ports, assuming use of two LAN connections per server

4 high-voltage input power cords connecting from the PDUs to the facility AC power feeds

Site Utility Requirements (worst-case)

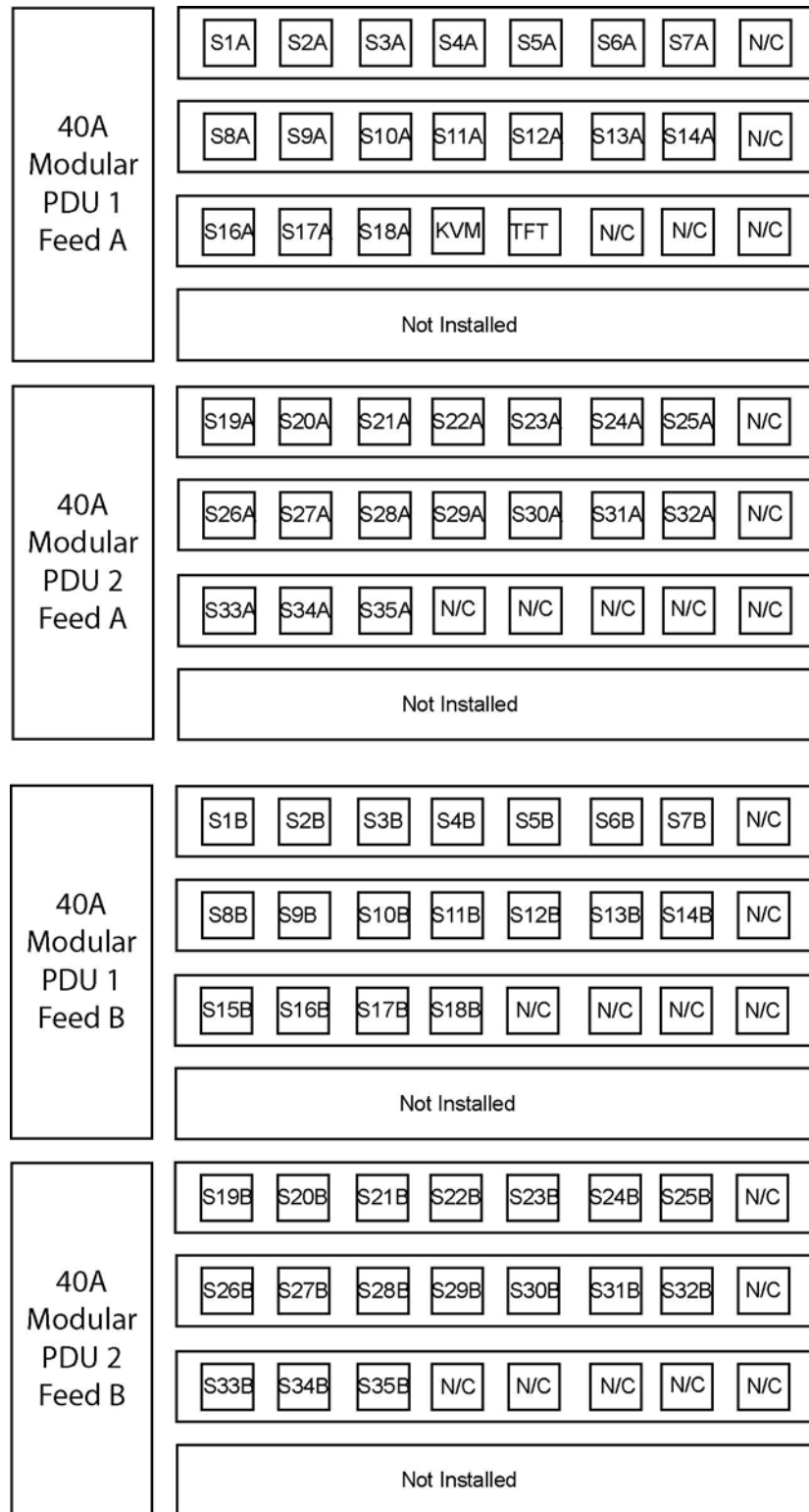
Power: 4 dedicated 200V - 240V 50A branch circuits (2 from each separate feed, assuming redundant power supply configuration).

Thermal: Up to 42,000 BTUs/hour [This number is a worst-case. The actual BTUs/hour will depend on the OS/application software running and the server hardware configurations.]

Weight: Up to 907.18 kg (2,000 lb) [The network cables are not accounted for since most implementations route the network cables to the ceiling-hung cable rails outside of the rack.

The use of the Double-Bar mounting brackets for the Modular PDU is highly recommended. This will allow the maximum number of outlets to be mounted on the same side of the rack enclosure as the server power supply connection.

Figure 10. Configuration B (Maximum Flexibility) Power Cabling Diagram



Note: S1A= server 1 with power supply A and S1B= Server 1 with power supply B

One 40A Modular PDU connects to power feeds A and B to support 17 or 18 DL360 G3s with redundant power supplies.

Figure 11. Configuration B (Maximum Flexibility) KVM Switch Cabling Diagram

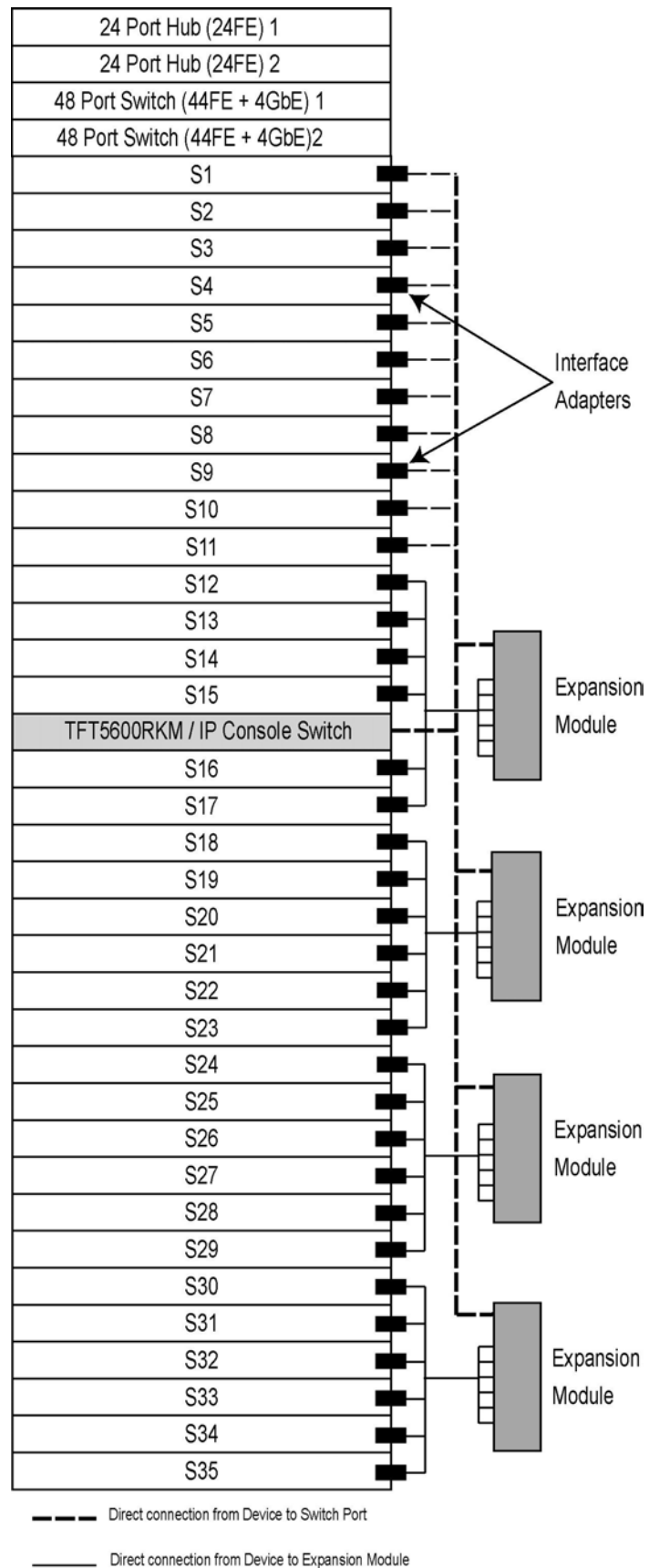
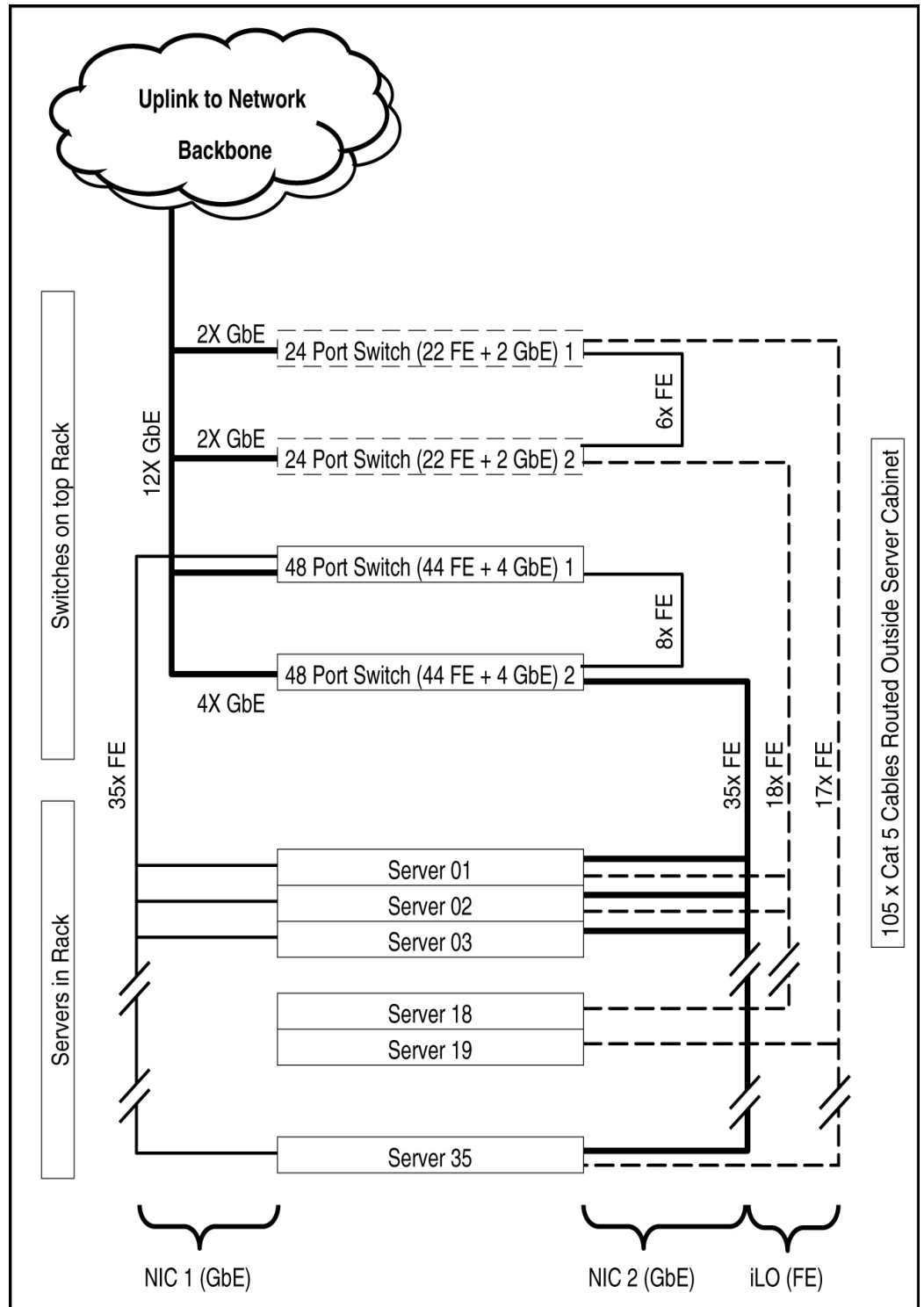


Figure 12. Configuration B (Maximum Flexibility) Ethernet Cable Diagram



Configuration C:
Traditionalist

24 servers, low-voltage

Table 9. Configuration C Summary

Configuration C Summary

Rack Contents

Units

24 Servers with all fixed or all sliding rails with cable trays

4 Low-voltage 24 A 0U/1U PDUs

2 x 48 Port Ethernet switches

2 x 24 Port Ethernet hubs

1 IP Console Switch

24 Interface Adapters

2 Expansion Modules

1 x 1U Keyboard/Monitor

Internal Cables

24 power cords going to 4 PDUs in the side panels [These cables are supplied with the servers.]

28 KVM cables going from switch to server, switch to switch and switch to 1U keyboard/monitor

24 (management) network cables from the Integrated Lights-Out Edition RJ-45 connector to two 24-port 10/100 Ethernet hubs

48 (data) network cables from the on-board 10/100/1000 NICs RJ-45 connectors to two 48-port Ethernet switches each with 44 10/100T ports and 4 gigabit ports, assuming use of two LAN connections per server

Cables External to Rack

4 low-voltage input power cords connecting from the PDUs to facility AC power feeds

Site Utility Requirements (worst-case)

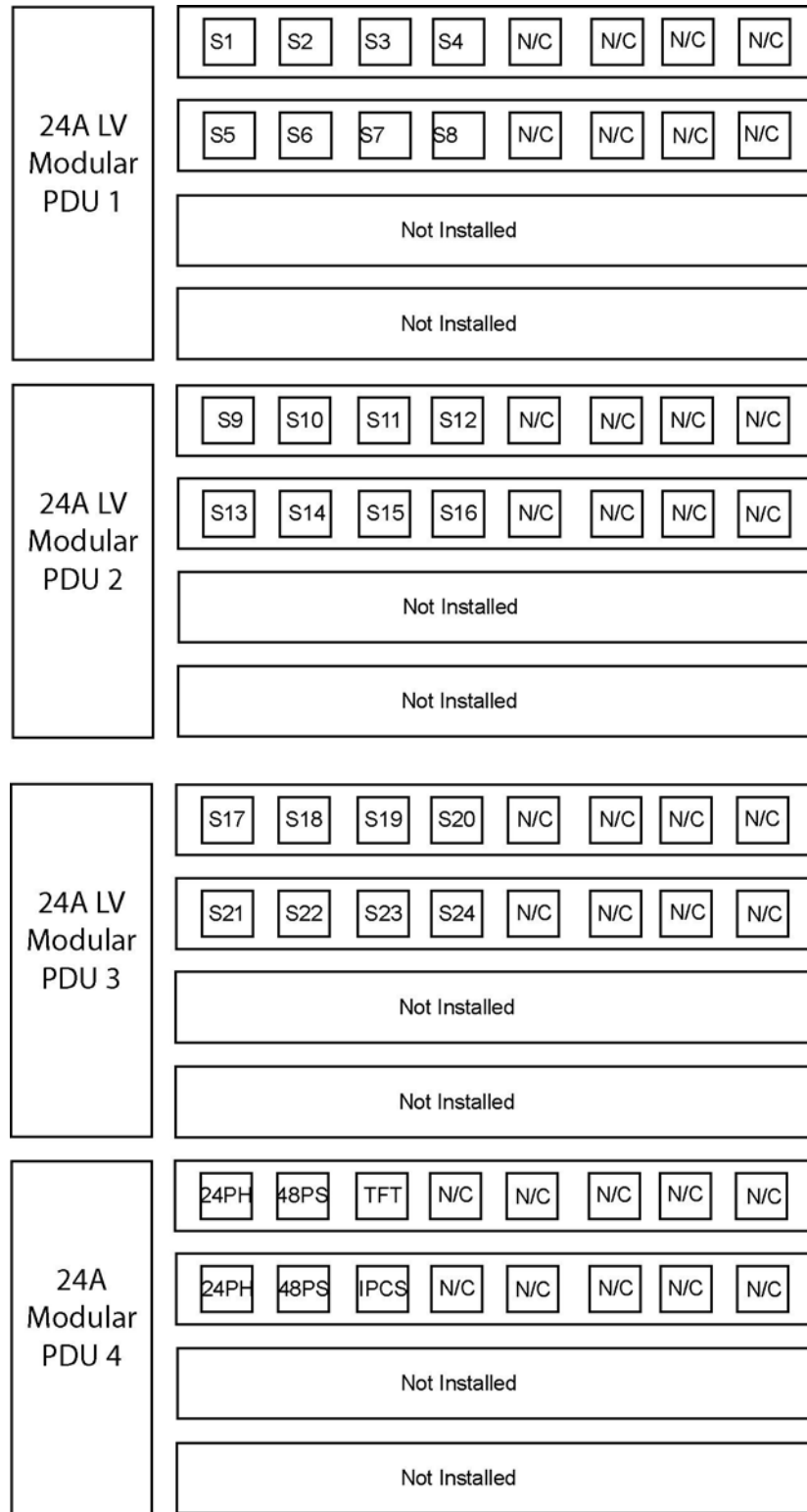
Power: 4 dedicated 100V - 120V 30A branch circuits.

Thermal: Up to 36,010 BTUs/hour [This number is a worst-case. The actual BTUs/hour will depend on the OS/application software running and the server hardware configurations.]

Weight: Up to 907.18 kg (2,000 lb) [The network cables are not accounted for since most implementations route the network cables to the ceiling-hung cable rails outside of the rack.]

The use of the Double-Bar mounting brackets for the Modular PDU is highly recommended. This will allow the maximum number of outlets to be mounted on the same side of the rack enclosure as the server power supply connection.

Figure 13. Configuration C (Traditionalist) Power Connections



Note: S1A= server 1 (single Power Supply); 24 24PH= 24 Port Ethernet Hub; 48PS= 48 Port Ethernet Switch; IPCS= IP Console Switch; TFT= TFT5600 1U Keyboard/Monitor

Figure 14. Configuration C (Traditionalist) Ethernet Cable

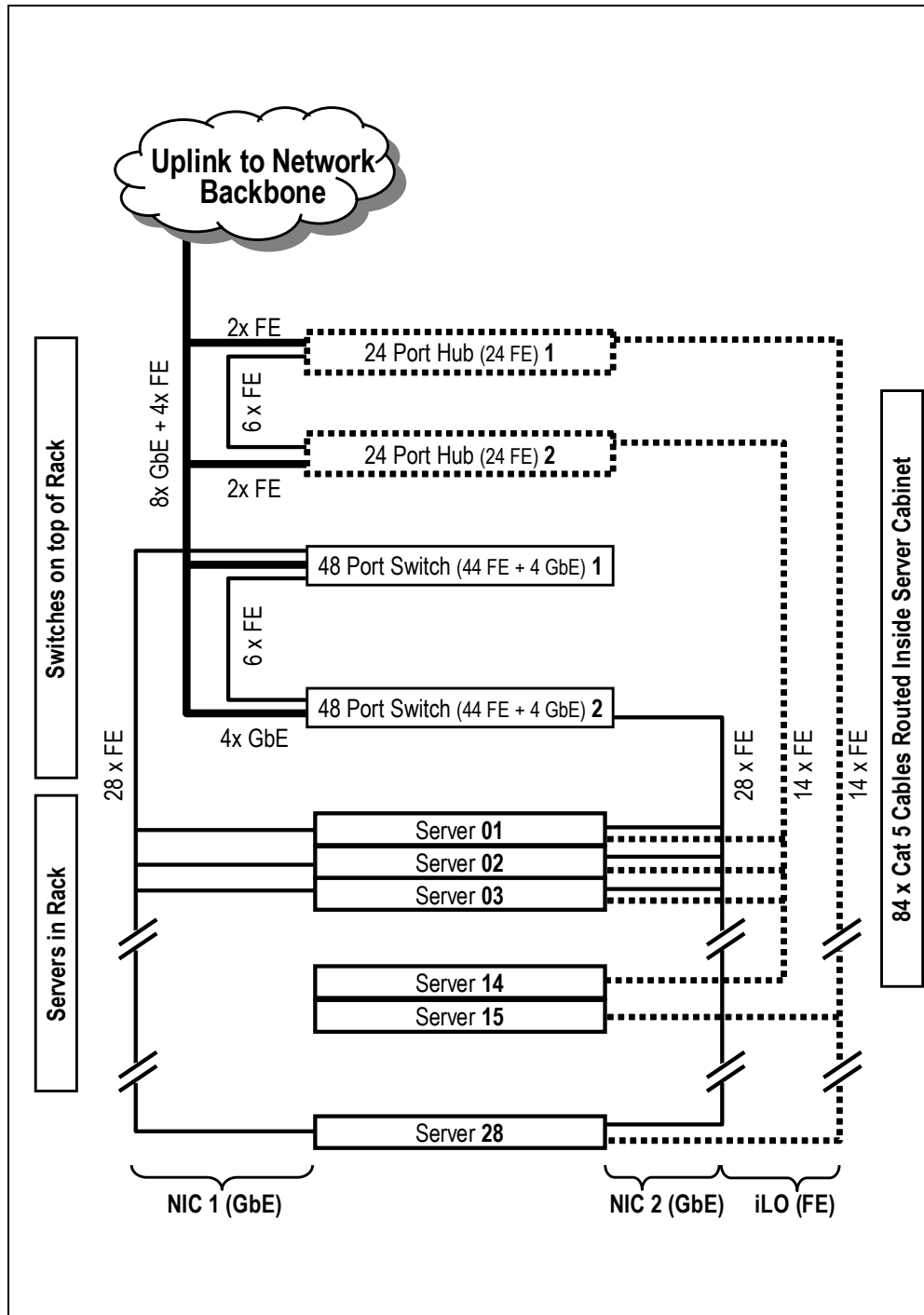
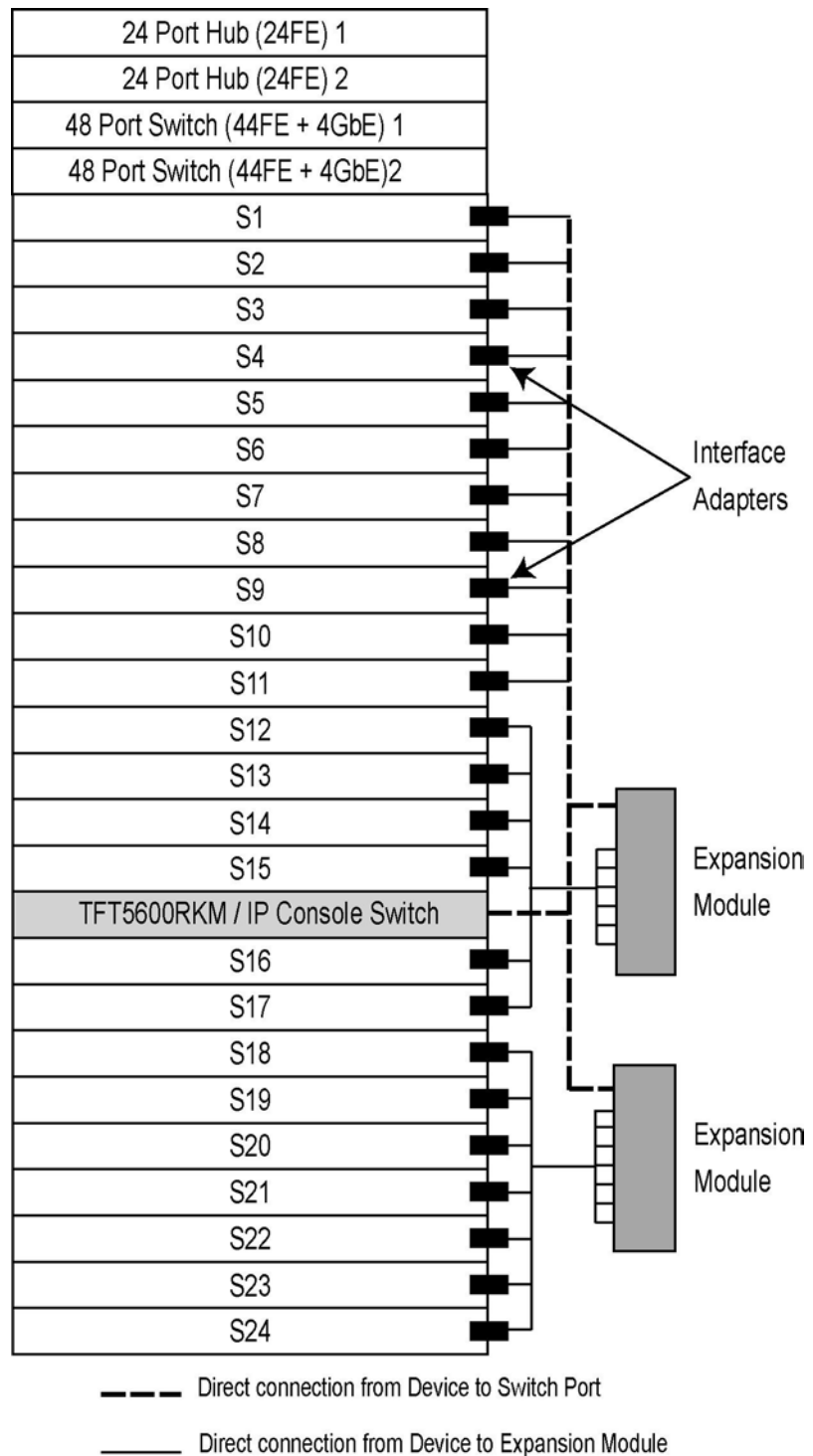


Figure 15. Configuration C (Traditionalist) KVM Switch Cabling Diagram



Conclusion

The load requirements of high-density server installations can be significant. Careful planning using accurate calculations and providing overhead compensation for peripheral devices can greatly reduce the chances for downtime due to power problems.

Completing the Installation

To complete the installation:

1. Install side panels on the outsides of the end racks.
2. Install the front and rear doors.
3. Connect the PDUs to the power source.
4. Power up the servers.

Reference Information and Glossary

Table 10 lists the sources referenced in this document.

Table 10. Sources of Information

| Topic | Where to Find |
|---|---|
| Information focal point for the HP ProLiant DL360 G3 server | http://h18000.www1.hp.com/products/servers/plafforms/index.html |
| Specifications, options, and a list of other HP products and options compatible with the ProLiant DL360 G3 server | <i>HP ProLiant DL360 Generation 3 QuickSpecs</i> |
| Installation and service guidelines for the ProLiant DL360 G3 server | www.compaq.com/support/servers/ProLiantDL360Generation3.html <i>HP ProLiant DL360 Generation 3 Setup and Installation Guide</i> <i>HP ProLiant DL360 Generation 3 Maintenance and Service Guide</i> |
| Installation of vertical-mount PDU brackets and Y-cables | Vertical-Mount PDU Brackets with High-Voltage Cables kit, P/N 166097-B21 |

Table 11 lists all the notational abbreviations used for optional components listed in the document.

Table 11. Notations for Optional Components

| Notation | Description |
|-------------------|---|
| 1 x, 2 x, 4 x | Number of components, for example, 1 x 256 MB means one 256-MB DIMM |
| 2.40 GHz | Intel® Xeon® 2.40-GHz processor |
| 128 MB | 128-MB DIMM |
| 256 MB | 256-MB DIMM |
| 512 MB | 512-MB DIMM |
| 1 GB | 1-GB DIMM |
| 2 GB | 2-GB DIMM |
| HDD | Hard disk drive |
| GB | Gigabyte |
| SA5300 | Smart Array 5300 Controller option (64-bit PCI card) |
| iLO | Integrated Lights-Out, a management ASIC |
| iLO Advanced Pack | An optional license to unlock the advanced features of Integrated Lights-Out (i.e., Virtual Graphic Console and Virtual Floppy) |
| FE | Fast Ethernet or 10/100 Mbs |
| GbE | Gigabit Ethernet or 10/100/1000 Mbs |

For More Information

Product information: 1-325-345-1518

Pre-sales: 1-325-282-6672

Post-sales: 1-325-652-6672

Business partner sales consulting: 1-325-888-5874

For more information on ProLiant servers visit www.hp.com/servers/proliant

For more information on HP 9000 and 10000 series racks and options visit www.hp.com/products/racks

Learn more about optional rack features at www.hp.com/products/rackoptions

Learn more about ProLiant server power protection and management at www.hp.com/products/ups

Feedback

Please direct comments and regarding this communication to the ISS Technology Communications Group at this internet address: TechCom@HP.com

Microsoft® and Windows® are US registered trademarks of Microsoft Corporation.

Intel® and Pentium® are registered trademarks of Intel Corporation in the US and other countries and are used under license.

Hewlett-Packard Company shall not be liable for technical or editorial errors or omissions contained herein. The information in this document is provided "as is" without warranty of any kind and is subject to change without notice. The warranties for HP products are set forth in the express limited warranty statements accompanying such products. Nothing herein should be construed as constituting an additional warranty.

The information in this document is subject to change without notice.

© 2002, 2003 Hewlett-Packard Development Company, L.P.

7/2003

Document Number 5982-0394EN