

Compaq Evo Desktop D300 and D500 Small Form Factor Celeron Models

Illustrated Parts Map



© 2001 Compaq Information Technologies Group, L.P.

Compaq, the Compaq logo, and Evo are trademarks of Compaq Information Technologies Group, L.P.

Intel, Celeron, and Pentium are trademarks of Intel Corporation in the United States and other countries.

All other product names mentioned herein may be trademarks of their respective companies.

Compaq shall not be liable for technical or editorial errors or omissions contained herein. The information in this document is provided "as is" without warranty of any kind and is subject to change without notice. The warranties for Compaq products are set forth in the express limited warranty statements accompanying such products. Nothing herein should be construed as constituting an additional warranty.

April 2002

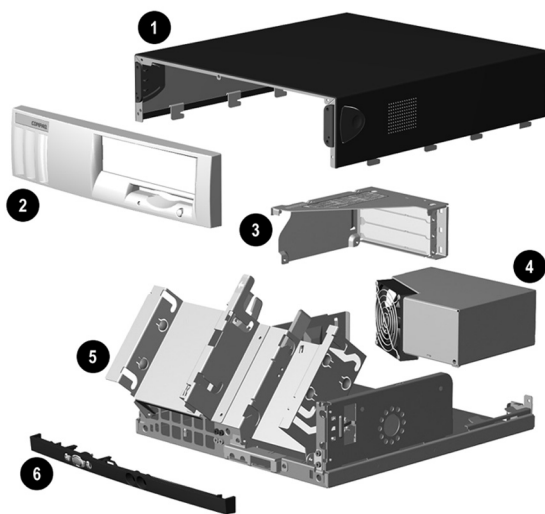
Part Number 265669-003



Spare Part Number 265815-001



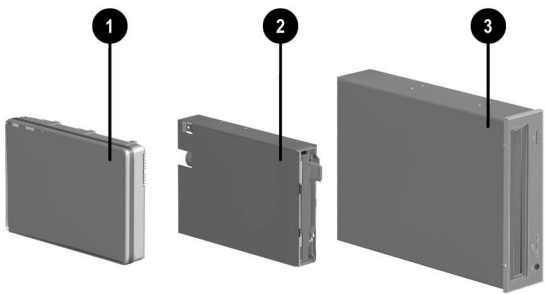
COMPAQ



System Unit

| | | |
|---|----------------------------------|------------|
| 1 | Computer cover | not spared |
| 2 | Front bezel | 257406-001 |
| 3 | Expansion card cage | not spared |
| 4 | Power supply, PFC, dual voltage | 244165-001 |
| 5 | Chassis assembly with drive cage | not spared |
| 6 | Front trim (below front bezel) | 264699-001 |

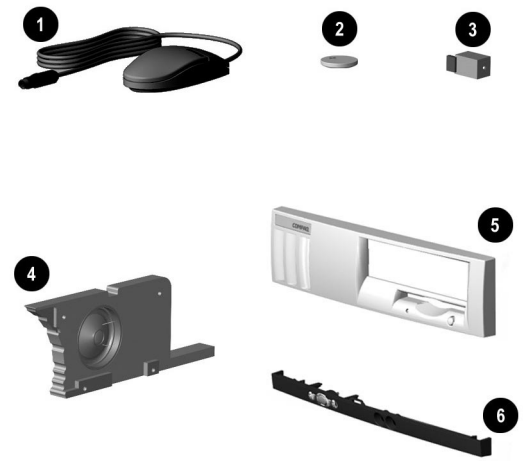
*Not shown



Mass Storage Devices

| | | |
|---|--|------------|
| 1 | 20-GB UATA (100/5400) Quiet hard drive | 254451-001 |
| * | 20-GB UATA (100/7200) Quiet hard drive | 180476-001 |
| * | 40-GB UATA (100/5400) Quiet hard drive | 236921-001 |
| * | 40-GB UATA (100/7200) Quiet hard drive | 202904-001 |
| * | 60-GB UATA (100/7200) hard drive | 232022-001 |
| 2 | Diskette drive, buttonless, carbon | 237180-001 |
| 3 | 48X CD-ROM drive, carbon | 232320-001 |
| * | 40X CD-RW drive, carbon | 246691-001 |
| * | 16X DVD-ROM drive, carbon | 232319-001 |
| * | ZIP 250 drive, carbon | 232317-001 |

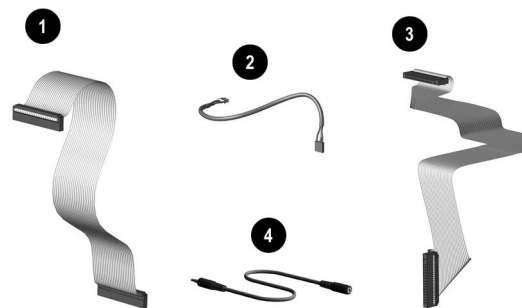
*Not shown



Miscellaneous Parts

| | | |
|---|---|------------|
| 1 | Mouse, 2-button carbon | 237241-001 |
| 2 | Battery | 153099-001 |
| 3 | Solenoid, 2-coil | 201485-001 |
| 4 | Speaker | 201273-001 |
| 5 | Front bezel | 257406-001 |
| 6 | Front trim (below front bezel) (234257-001) | 264699-001 |
| * | Lever, tilt/stop | 222052-001 |
| * | Tamper resistant T-15 wrench | 166527-001 |
| * | Tamper resistant T-15 bit (5 ea) | 166527-002 |

*Not shown



Cables

| | | |
|----------------------|---|------------|
| Cable kit, includes: | | 201486-001 |
| 1 | Diskette drive data cable, 8.5" (168999-001) | |
| 2 | CD-ROM audio cable, 12" (387527-002) | |
| 3 | Hard drive data cable, 18" (180950-016) (not this product) | |
| * | Solenoid cable (174311-001) (not this product) | |
| * | CD-ROM data cable, 18" (108950-017) | |
| Cable kit, includes: | | 192264-001 |
| * | Hard drive/CD-ROM data cable, 18" (108950-019) (not this product) | |
| * | 40-Pin IDE data cable, 12.5" (105876-001) | |
| * | Audio cable, 21" (288489-002) (not this product) | |
| * | Audio cable, 21" (387527-001) (not this product) | |
| * | Hard drive/CD-ROM data cable, 9.75" (108950-021) (not this product) | |
| Cable kit, includes: | | 192263-001 |
| * | CD-ROM data cable, 18", (108950-017) | |
| * | Audio cable, 12", (387527-002) | |
| 4 | Stereo cable extender, 100 mm | 257081-001 |
| Other cables | | |
| | Hard drive cable, 12.75 "lg (108950-031) | 266049-001 |
| | Solenoid cable (244168-002) | 265954-001 |

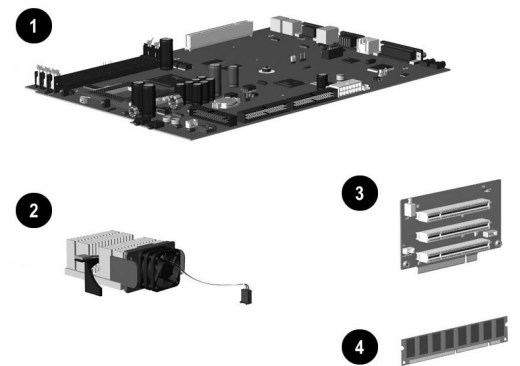
*Not shown

Miscellaneous Plastics (not illustrated)

| | |
|----------------------------------|------------|
| Bezel blank, carbon | 257399-001 |
| Foot, rubber (4 ea) (166939-004) | 266050-001 |

Documentation and Packaging (not illustrated)

| | |
|-----------------------------|------------|
| Service Reference Guide | 259968-001 |
| Quick Troubleshooting Guide | 153837-001 |
| Illustrated Parts Map | 265815-001 |
| Return kit | 212545-001 |



Standard and Optional Boards

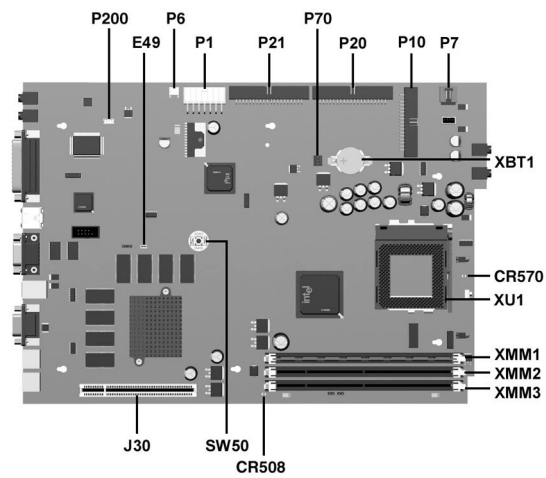
| | | |
|---|---|------------|
| 1 | System board | 239117-001 |
| 3 | Riser board | 244470-001 |
| * | Intel Celeron 1.0 GHz processor with alcohol wipe | 255433-001 |
| 2 | Heatsink, 1.0 GHz and greater with thermal pad, alcohol wipe, fan, and retaining clip | 257400-001 |
| 4 | Memory Module, 64 MB, 133 MHz | 170080-001 |
| * | Memory Module, 128 MB, 133 MHz | 170081-001 |
| * | Memory Module, 256 MB, 133 MHz | 192014-001 |
| * | Modem, 56K, PCI | 239411-001 |
| * | NIC, 10/100 PCI, 3COM | 253951-001 |

*Not shown

Keyboards (not illustrated)

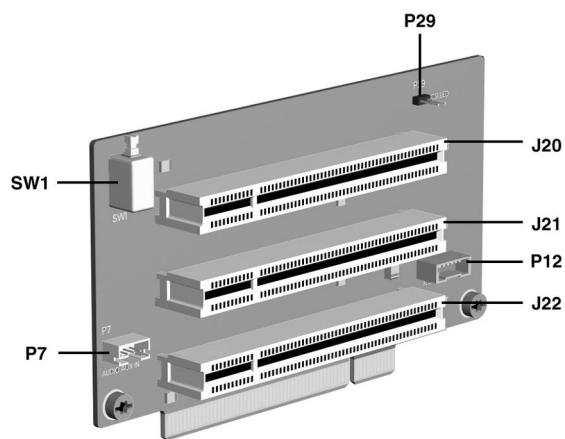
| | | | |
|-------------------------|------|------------------------|------|
| Internet | | 164996-xxx | |
| Basic Smart Card | | 240441-xxx | |
| Arabic | -171 | International | ** |
| Belgian | -181 | Latin American Spanish | -161 |
| Brazilian Portuguese | -201 | Norwegian | -191 |
| BHCSY* | -B41 | Polish | ** |
| Czech | -221 | Portuguese | -131 |
| Danish | -081 | Russian | -251 |
| Dutch/Netherlands | ** | Slovakian | -231 |
| Finnish | -351 | Spanish | -071 |
| French | -051 | Swedish | -101 |
| French-Canadian | -121 | Swiss | -111 |
| German | -041 | Taiwanese | -AB1 |
| Greek | -151 | Thai | -281 |
| Hungarian | -211 | Turkish | -141 |
| Italian | -061 | United Kingdom | -031 |
| Japanese | -191 | U.S. | -001 |
| Korean (Hangul) | -AD1 | | |

*Bosnia-Herzegovina, Croatia, Slovenia, and Yugoslavia
**Use -B31 for 240441-xxx and use -002 for 164996-xxx



System Board Connectors and Jumpers (position of some untitled components may vary in location)

| | | | |
|-------|--|--------|------------------------------|
| CR508 | 3.3V Aux LED | P20 | Primary IDE connector |
| CR570 | 5V Aux (ON)/PS_ON_(OFF) LED | P21 | Secondary IDE connector |
| E49 | Password jumper (Installed = Enabled, Removed = Cleared) | P70 | CPU fan connector |
| J30 | Riser board | P200 | Hood lock solenoid connector |
| P1 | Power supply connector | SW50 | Clear CMOS button |
| P6 | Speaker connector | XBT1 | Battery |
| P7 | CD-ROM audio | XMM1-3 | Memory sockets |
| P10 | Diskette drive connector | XU1 | Processor socket |



Riser Board Connectors and Jumpers

| | | | |
|-----|--------------------|-----|----------------------|
| J20 | PCI slot | P12 | NIC SOS connector |
| J21 | PCI slot | P29 | SCSI LED connector |
| J22 | PCI slot | SW1 | Security hood switch |
| P7 | CD audio connector | | |

System Hardware Interrupts

| IRQ | System Function | IRQ | System Function |
|-----|------------------------------|-----|--------------------------------|
| 0 | Timer Interrupt | 8 | Real-Time Clock |
| 1 | Keyboard | 9 | Unused |
| 2 | Interrupt Controller Cascade | 10 | Unused, available for PCI |
| 3 | Serial Port (COM B) | 11 | Unused, available for PCI |
| 4 | Serial Port (COM A) | 12 | Mouse |
| 5 | Unused, available for PCI | 13 | Coprocessor |
| 6 | Diskette Drive | 14 | ATA (IDE) Primary controller |
| 7 | Parallel Port (LPT 1) | 15 | ATA (IDE) Secondary controller |

System Board Diagnostic Lights¹

| Main Power Switch Status | 3.3 V_Aux LED | 5 V_Aux/PSON LED |
|--------------------------|---------------|------------------|
| OFF ² | ON | ON ⁴ |
| ON ³ | ON | OFF ⁵ |

1. ON and OFF state of LEDs apply only to a good, working system board with AC power applied to the power supply.
2. Power LED on front of computer is OFF.
3. Power LED on front of computer is ON (Green).
4. 5V_Aux is ON.
5. PSON is active = power supply is turned ON.

Computer Diagnostic LEDs (on front of computer)

| LED | Color | LED Activity | State/Message |
|------------|-------|--|--------------------------------------|
| Power | Green | On | (S0) Computer on |
| Power | Green | 1 blink every 1 second | (S1) Normal Suspend Mode |
| Power | Green | 1 blink every 2 seconds | (S3) Suspend to RAM |
| Power | Green | 1 blink every 4 seconds | (S4) Suspend to Disk (if applicable) |
| Power | Clear | Off | (S5) Computer off |
| Power | Red | 2 blinks 1 second apart, followed by 2-second pause - Repeat | CPU thermal shutdown |
| Power | Red | On | CPU not installed |
| Power | Red | 1 blink every 1 second | ROM error |
| Power | Red | 1 blink every 2 seconds | Power supply crow bar |
| Hard Drive | Green | Blinking | Hard drive activity |

Keyboard Diagnostic LEDs

| LED | Color | LED Activity | State/Message |
|------------------------|-------|--|---|
| Num Lock | Green | Flashing (Beeps - 1S, 2L) | Memory error |
| Caps Lock | Green | Flashing (Beeps - 1L, 2S) | No video |
| Scroll Lock | Green | Flashing (Beeps - 2L, 1S) | System board failure, prior to video |
| Num, Caps, Scroll Lock | Green | Flash On-Off 2 times (Beeps - 1L, 3S) | Invalid system ROM detected. ROM forces reflash. |
| Num, Caps, Scroll Lock | Green | On (Rising Tone) | ROM reflashed successfully |
| Num Lock | Green | On | ROMPaq diskette not present, is bad, or drive not ready.* |
| Caps Lock | Green | On | Enter password. |
| Num, Caps, Scroll Lock | Green | Blink On in sequence, one at a time - N, C, SL | Keyboard locked in network mode |

* Insert valid ROMPaq diskette in drive A. Turn power switch off, then on to reflash ROM. If ROM flash is successful, all three keyboard LEDs will light up, and you will hear a rising tone series of beeps. Remove diskette and turn power off, then on to restart the computer. For more information about flashing the ROM, refer to the Troubleshooting guide.

Clearing CMOS*

The computer's configuration (CMOS) may occasionally be corrupted. If it is, it is necessary to clear the CMOS memory using switch SW50.

To clear and reset the configuration, perform the following procedure:

1. Prepare the computer for disassembly.

CAUTION: The power cord must be disconnected from the power source before pushing the Clear CMOS Button (NOTE: All LEDs on the board should be OFF). Failure to do so may damage the system board

2. Remove the access panel.
3. Press the CMOS button located on the system board and keep it depressed for 5 seconds.
4. Replace the access panel.
5. Turn the computer on and run F10 Computer Setup (delete-utility) to reconfigure the system.

*When the CMOS button is pushed or the jumper is removed, both the power-on password and the setup password become invalid because both are stored in the configuration memory. You will need to reset the passwords.

Disabling or Clearing the Power-On and Setup Passwords*

1. Turn off the computer and any external devices, and disconnect the power cord from the power outlet.
2. Remove the access panel.
3. Locate the header and jumper labeled E49.
4. Remove the jumper from pins 1 and 2. Place the jumper over pin 2 only, in order to avoid losing it.
5. Replace the access panel.
6. Plug in the computer and turn on power. Allow the operating system to start.
NOTE: Placing the jumper on pin 2 clears the current passwords and disables the password features.
7. To re-enable the password features, repeat steps 1-3, then replace the jumper on pins 1 and 2.
8. Repeat steps 5-6, then establish new passwords.

Refer to the Computer Setup (F10 Setup) instructions to establish new passwords.

*When the CMOS button is pushed or the jumper is removed, both the power-on password and the setup password become invalid because both are stored in the configuration memory. You will need to reset the passwords.

Computer Setup (F10) Utility Features (not all features may be available)

| | |
|-----------------|--|
| File | System Information About Set Time and date Save to Diskette Restore From Diskette Set defaults and Exit Ignore Changes and Exit Save Changes and Exit |
| Storage | Device Configuration Options IDE DPS Self-Test Controller Order SCSI Narrow Termination Boot Order |
| Security | Setup Password Power-On Password Password Options Smart Cover Smart Sensor DriveLock Master Boot Record Security Save Master Boot Record Restore Master Boot Record Device Security Network Service Boot System IDs |
| Power | Energy Saver Timeouts Energy Saver Options |
| Advanced | Power-On Options Onboard devices PCI Devices Bus Options Device Options PCI VGA Configuration |

Note: See Computer Setup (F10) Utility Guide on the Documentation Library CD.