

Compaq EVO Workstation W4000

Illustrated Parts Map
Convertible Mini Tower



COMPAQ

© 2002 Compaq Computer Corporation.

Compaq, the Compaq logo, and EVO are trademarks of Compaq Information Technologies Group, L.P.

Intel, Celeron, and Pentium are trademarks of Intel Corporation.

All other product names mentioned herein may be trademarks of their respective companies.

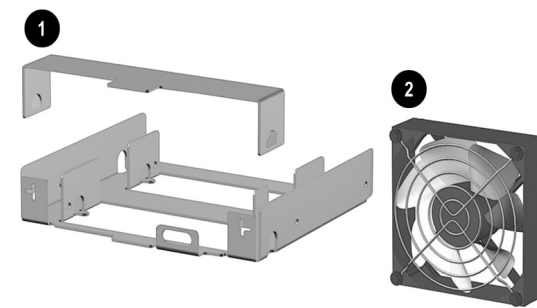
Compaq shall not be liable for technical or editorial errors or omissions contained herein. The information in this document is provided "as is" without warranty of any kind and is subject to change without notice. The warranties for Compaq products are set forth in the express limited warranty statements accompanying such products. Nothing herein should be construed as constituting an additional warranty.

January 2002

Document Number
261488-002



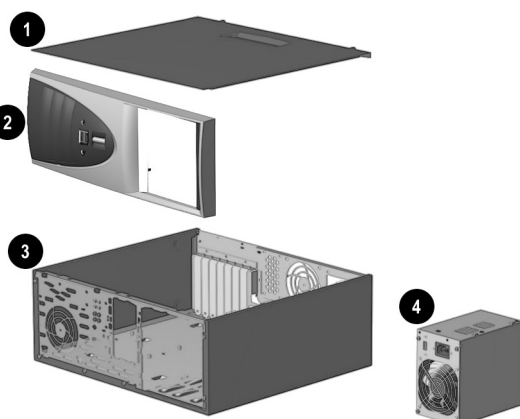
Spare Part Number
262013-001



Miscellaneous Parts

1	Diskette drive adapter	239063-001
2	Chassis fan	257304-001
*	Mouse, 3 button carbon	232616-001
*	Mouse 2 button, carbon	237241-001
*	Heatsink with fan, retaining clip, thermal interface, and alcohol pad (for system board 252608-001)	254284-001
*	Heatsink with fan, retaining clip, thermal interface, and alcohol pad (for system board 277500-001)	254285-001
*	Speaker	192518-001
*	Battery	153099-001
*	Return kit U.S.	166990-001
*	Return kit International	166990-002
*	Solenoid, hood lock	201485-001

*Not shown



System Unit

1	Computer cover	not spared
2	Front bezel assembly	257300-001
3	Chassis assembly	not spared
4	Power supply, PFC, dual voltage	244166-001

Mass Storage Devices (not illustrated)

	18-GB U3 SCSI 10K hard drive	160063-001
	18-GB U3 SCSI 15K hard drive	273053-001
	36-GB U3 SCSI 10K hard drive	192197-001
	36-GB U3 SCSI 15K hard drive	250186-001
	72-GB U3 SCSI 10K hard drive	250187-001
	20-GB UATA 100/7200 Quiet hard drive	180476-001
	40-GB UATA 100/7200 Quiet hard drive	202904-001
	80-GB UATA 100/7200	250185-001
	Diskette drive, buttonless	237180-001
	48X CD-ROM drive	232320-001
	16/10/40X CD-RW drive	246691-001
	16X DVD-ROM drive	232319-001
	8/4/32+8 Combination CD-RW/DVD-ROM drive	255704-001
	Zip drive, 250	232317-001



Miscellaneous Plastics, kit

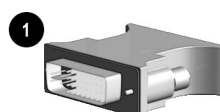
Miscellaneous Plastics Kit, includes:		400549-001
*	Switch holder (166777-001) (not this product)	
*	Card guide (166778-001)	
*	Rubber, foot (4 ea.) (166939-002) (not this product)	
Miscellaneous Plastics Kit, includes:		257051-001
*	Front bezel blank, carbon (166775-002)	
*	Power switch spring (166837-002) (not this product)	
*	Power switch/LED holder (245154-001)	
1	LED holder (112589-001) (not this product)	
*	Power switch cable clip (172948-001)	

*Not shown.

Keyboards (not illustrated)

Internet		164996-xxx	
Arabic	-171	International	-002
Belgian	-181	Latin American Spanish	-161
Brazilian Portuguese	-201	Norwegian	-191
BHCSY*	-B41	Polish	-002
Czech	-221	Portuguese	-131
Danish	-081	Russian	-251
Dutch/Netherlands	-002	Slovakian	-231
Finnish	-351	Spanish	-071
French	-051	Swedish	-101
French-Canadian	-121	Swiss	-111
German	-041	Taiwanese	-AB1
Greek	-151	Thai	-281
Hungarian	-211	Turkish	-141
Italian	-061	United Kingdom	-031
Japanese	-191	U.S.	-001
Korean (Hanguel)	-AD1		

*Bosnia-Herzegovina, Croatia, Slovenia, and Yugoslavia



Cables

1	DVI to VGA graphics adapter	202997-001
*	CD-ROM Audio cable (387527-001)	149806-001
*	USB Interface cable use with 252610-001	255439-001
*	Diskette drive cable (143218-005)	257309-001
*	Matrox G200 graphics cable assembly with bracket	171976-001
*	IDE Ultra ATA dual device, hard drive/CD-ROM cable, 10" with pull tab (108950-037)	257047-001
*	IDE Ultra ATA dual device, hard drive/CD-ROM cable, 14" (108950-038)	257048-001
*	Power switch/LED cable with switch and LEDs (174682-002)	257303-001
*	SCSI LED cable (225537-001)	247485-001
*	SCSI data cable (155825-001)	158277-001
*	Front panel audio cable use with 252610-001	255440-001
*Miscellaneous cable kit (not shown)		254551-001

G200 Quad analog cable (168754-001)

G200 Quad DVI cable (168754-002)

***Miscellaneous Cable, kit includes: (not shown) 192264-001**

Single UATA device hard drive/CD-ROM cable, 18" (108950-001)

Audio cable, 21" (387527-001)

Single UATA device hard drive/CD-ROM cable, 12.5" (105876-001)

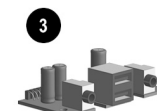
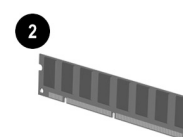
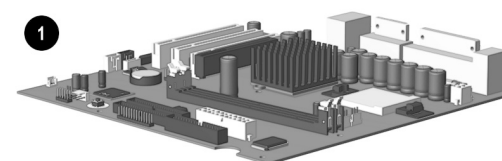
Audio cable, 21" (288489-002)

Single UATA device, hard drive/CD-ROM cable, 9.75" (108950-021)

Modem Adapters with Plug and Cable (not shown)

U.S.	165224-001
United Kingdom	158593-031
Germany	304398-042
France	304398-051
Italy	304398-061
Switzerland	304398-112

*Not shown



Standard and Optional Boards

1	System board (3 memory modules)	252608-001
*	System board - DDR Memory (2 memory modules)	277500-001
*	U3 SCSI Controller	158364-001
Intel Pentium 4 Microprocessor with alcohol pad		
*	1.5 GHz (for system board 252608-001)	252918-001
*	1.7 GHz (for system board 252608-001)	252919-001
*	2.0 GHz (for system board 252608-001)	252920-001
*	1.8 GHz (for system board 277500-001)	255435-001
*	2.0 GHz (for system board 277500-001)	273051-001
*	2.2 GHz (for system board 277500-001)	273052-001
3	Modem, 56K, PCI, V92	239411-001
*	Front panel USB/Audio board	252610-001
*	Matrox G450 AGP graphics card	203626-001
*	Matrox G550 AGP graphics card	253275-001
*	Matrox G200 MMS PCI Graphics controller	171975-001
*	nVIDIA NV11 GL AGP Graphics controller, 32 MB	244278-001
*	nVIDIA NV15 GL AGP Graphics controller, 64 MB	225829-001
*	nVIDIA Quadro2 EX AGP Graphics controller	233122-001
*	FGL AGP2X/4X/ATX Graphics controller, 64MB	224885-001
*	NIC, 3Com	253951-001
*	PCI Expansion Card	252609-001
*	Hood lock board	252611-001

*Not shown

Memory Modules (see previous picture #2)

Description	ECC	SDRAM	DDR*
128-MB	257305-001	170081-001	272931-001
256-MB	257306-001	192014-001	272932-001
512-MB	257307-001	254317-001	272933-001
1.0-GB	not available	not available	272934-001

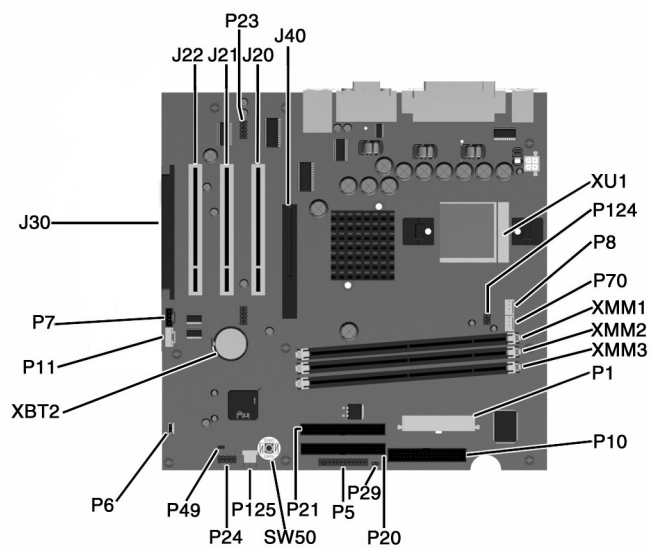
*Used only on system boards with 2 memory module sockets.

Miscellaneous Screw Kit (not illustrated)

Miscellaneous Screw Kit, includes:	257050-001
6-32 x 1/4 hi-top, thread-forming screw with serrations (5 ea.) (192308-001)	
6-32 x 3/16 (1 ea.) (296769-002) (not this product)	
6-32 x 1/4 TT, hi-top Torx (2 ea.) (114399-067)	
6-32 x 3/16 hi-top, thread-forming screw with serrations (4 ea.) (192308-003)	
6-19 x 5/16 (1 ea.) (114399-069) (not this product)	
M3 x 5mm, hi-top, tapite screw with serrations (4 ea.) (247348-001)	
Plastite, metric, flathead Phillips (4 ea.) (247481-001)	

Documentation and Packaging (not illustrated)

Service Reference Guide	259968-001
Quick Troubleshooting Guide	153837-001
Illustrated Parts Map	262013-001



System Boards with 2 memory module sockets use only DDR memory modules.

System Board Connectors and Jumpers (position of some untitled components may vary in location)

J20-22	PCI slots	P23	Front Panel Audio header
J30	PCI Extension socket	P24	Front Panel USB header
J40	AGP/AIMM connector	P29	SCSI LED connector
P1	Power supply connector	P49	Password jumper (Installed = Enabled, Removed = Cleared)
P5	Power button, Power LED, and HD LED connector	P70	CPU fan connector
P6	Speaker connector	P124	Hood lock solenoid connector
P7	CD-ROM audio connector	P125	Hood intrusion sensor
P8	Chassis fan connector	SW50	Clear CMOS button
P10	Diskette drive connector (Floppy)	XBT2	Battery
P11	Aux audio connector	XMM1-2	Memory sockets (2 sockets) (DDR only)
P20	Primary IDE connector	XMM1-3	Memory sockets (3 sockets) (DIMM only)
P21	Secondary IDE connector	XU1	Processor socket

System Hardware Interrupts

IRQ	System Function	IRQ	System Function
0	Timer Interrupt	8	Real-Time Clock
1	Keyboard	9	Unused
2	Interrupt Controller Cascade	10	Unused, available for PCI
3	Serial Port (COM B)	11	Unused, available for PCI
4	Serial Port (COM A)	12	Mouse
5	Unused, available for PCI	13	Coprocessor
6	Diskette Drive	14	Primary ATA (IDE) Controller
7	Parallel Port (LPT 1)	15	Secondary ATA (IDE) Controller

System Hardware DMA

DMA	System Function	DMA	System Function
0	Unused	4	DMA Controller Cascading
1	Unused	5	Unused
2	Diskette Drive	6	Unused
3	ECP Parallel Port LPT1 (Default; Alternate = DMA 0)	7	Unused

ICH Fixed I/O Registers

Port	Register Name
00h, 02h, 04h, 06h	Channel 0, 1, 2, 3 DMA base and current address register
C0h, C4h, C8h, CCh	Channel 4, 5, 6, 7 DMA base and current address register
01h, 03h, 05h, 07h	Channel 0, 1, 2, 3 DMA base and current count register
C2h, C6h, CAh, CEh	Channel 4, 5, 6, 7 DMA base and current count register
10h-1Fh	Aliased at 00h-0Fh
20h	Master PIC ICW1 Init. Cmd Word 1 register, Master PIC OCW2 Init. Cmd Word 2 register, and Master PIC OCW3 Init. Cmd Word 3 register
21h	Master PIC OCW1 Init. Cmd Word 1 register, Master PIC ICW2 Init. Cmd Word 2 register, and Master PIC ICW3 Init. Cmd Word 3 register
24h, -25h, 28-29h, 2Ch-2Dh, 30h-31h, 34h-35h, 38h-39h, 3Ch-3Dh	Aliased at 20h-21h
40h	Counter 0 interval time status byte format and Counter 0 counter access port register
41h	Counter 1 interval time status byte format and Counter 1 counter access port register
42h	Counter 2 interval time status byte format and Counter 2 counter access port register
43h	Timer control word register, Timer control word register read back, and Counter latch command
50h-53h	Aliased at 40h-43h
61h	NMI status and control register
70h	NMI enable register and Real-time clock (Standard RAM) index register
71h	Real-time clock (Standard RAM) target register
72h	Extended RAM index register
73h	Extended RAM target register
74h-75h	Aliased at 70h-71h
76h-77h	Aliased at 72h-73h or 70h-71h
81h, 82h, 83h	Channel 2, 3, 1 DMA memory low page register
84h-86h, 88h	Reserved page registers
89h, 8Ah, 8Bh	Channel 6, 7, 5 DMA memory low page register
8Ch-8Eh	Reserved page registers
8Fh	Refresh low page register
91h-9Fh (except 92h)	Aliased at 81h-8Fh
92h	Fast A20 and INIT register
CF9h	Reset control register
A0h	Slave PIC ICW1 Init. cmd word 1 register, Slave PIC OCW2 Init. cmd word 2 register, and Slave PIC OCW3 Init. cmd word 3 register
A1	Slave PIC ICW2 Init. cmd word 2 register, Slave PIC ICW3 Init. cmd word 3 register, Slave PIC ICW4 Init. cmd word 4 register, and Slave PIC OCW1 Init. cmd word 1 register

ICH Fixed I/O Registers (Continued)

I/O Address (Hex)	Register Name
A4h-A5h, A8h-A8h, ACh-ADh, B0h-B1h, B4h-B5h, B8h-B9h, BCh-Bdh	Aliased at A0h-A1h
B2h	Advanced power management control port register
B3h	Advanced power management status port register
C0h, C4h, C8h, CCh	Channel 4, 5, 6, 7 DMA base and current address register
C1h	Aliased at C0h
C5h	Aliased at C4h
C9h	Aliased at C8h
CDh	Aliased at CCh
C2h, C6h, CAh, CEh	Channel 4, 5, 6, 7 DMA base and current count register
C3h	Aliased at C2h
C7h	Aliased at C6h
CBh	Aliased at CAh
CFh	Aliased at Ceh
D0h	Channel 4-7 DMA command register and status register
D1h	Aliased at D0h
D4h	Channel 4-7 DMA write single mask register
D5h	Aliased at D4h
D6h	Channel 4-7 DMA channel mode register
D7h	Aliased at D6h
D8h	Channel 4-7 DMA clear byte pointer register
D9h	Aliased at D8h
DAh	Channel 4-7 DMA master clear register
DBh	Aliased at DAh
DCh	Channel 4-7 DMA clear mask register
DEh	Aliased at DCh
DEh	Channel 4-7 DMA write all mask register
DFh	Aliased at DEh
F0h	Coprocessor error register
170h-177h	PIO mode command block offset for secondary drive
1F0h-1F7h	PIO mode command block offset for primary drive
376h	PIO mode control block offset for secondary drive
3F6h	PIO mode control block offset for primary drive
4D0h	Master PIC edge/level triggered register
3F6h	PIO mode control block offset for primary drive
4D1h	Slave PIC edge/level triggered register
400-47F	Super I/O
F800-F87F	Reserved (power management)
FA00-FA3F	Reserved (GPIO management)
FC00-FC0F	Reserved (SMBUS controller)

NOTE: When the POS_DEC_EN bit is set, additional I/O ports get positively decoded by the ICH.

System Memory Map

Size	Memory Address	System Function
512 KB	FFFFFFFh to FFF80000h	System ROM
3839 MB	FFFBFFFFh to 10000000h	PCI memory expansion
511 MB	0FFFFFFFh to 00100000h	Host or PCI memory expansion
128 KB	00FFFFFFh to 000E0000h	System ROM
96 KB	000DFFFFh to 000C8000h	PCI option ROMs
32 KB	000C7FFFh to 000C0000h	Video ROM
128 KB	000BFFFFh to 000A0000h	Video RAM
640 KB	0009FFFFh to 00000000h	Base memory

Clearing CMOS*

The computer's configuration (CMOS) may occasionally be corrupted. If it is, it is necessary to clear the CMOS memory using switch SW50.

To clear and reset the configuration, perform the following procedure:

1. Prepare the computer for disassembly.

2. Remove the access panel.
3. Press the CMOS button located on the system board and keep it depressed for 5 seconds.
4. Replace the access panel.
5. Turn the computer on and run F10 Computer Setup (Setup-utility) to reconfigure the system.

*When the CMOS button is pushed or the jumper is removed, both the power-on password and the setup password become invalid because both are stored in the configuration memory. You will need to reset the passwords.

Disabling or Clearing the Power-On and Setup Passwords*

1. Turn off the computer and any external devices, and disconnect the power cord from the power outlet.
2. Remove the access panel.
3. Locate the header and jumper labeled P49.
4. Remove the jumper from pins 1 and 2. Place the jumper over pin 2 only, in order to avoid losing it.
5. Replace the access panel.
6. Plug in the computer and turn on power. Allow the operating system to start.
NOTE: Placing the jumper on pin 2 clears the current passwords and disables the password features.
7. To re-enable the password features, repeat steps 1-3, then replace the jumper on pins 1 and 2.
8. Repeat steps 5-6, then establish new passwords.

Refer to the Computer Setup (F10 Setup) instructions to establish new passwords.

*When the CMOS button is pushed or the jumper is removed, both the power-on password and the setup password become invalid because both are stored in the configuration memory. You will need to reset the passwords.