

# Compaq Evo Desktop D300v

## Illustrated Parts Map

Compaq Evo Desktop Family of Personal Computers  
Microtower Models, Celeron and Pentium III Processors



© 2002 Compaq Information Technologies Group, L.P.

Compaq, the Compaq logo, and Evo are trademarks of Compaq Information Technologies Group, L.P.

Intel, Pentium, and Celeron are trademarks of Intel Corporation in the United States and other countries.

All other product names mentioned herein may be trademarks of their respective companies.

Compaq shall not be liable for technical or editorial errors or omissions contained herein. The information in this document is provided "as is" without warranty of any kind and is subject to change without notice. The warranties for Compaq products are set forth in the express limited warranty statements accompanying such products. **Nothing herein should be construed as constituting an additional warranty.**

May 2002

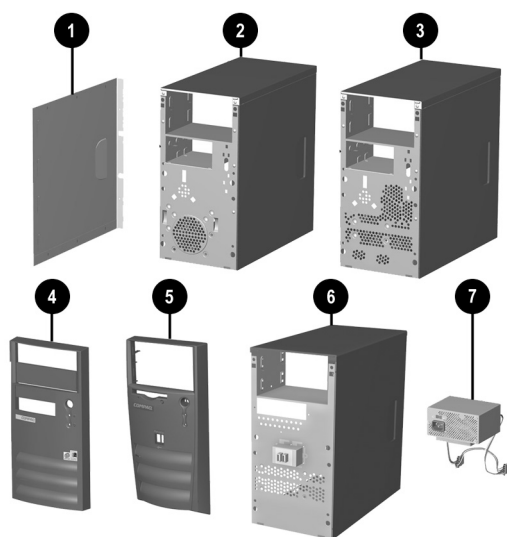
Document Part Number 234803-005



Spare Part Number 260444-001



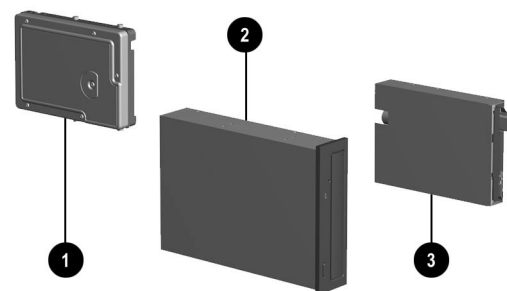
# COMPAQ



### System Unit

*	Access Panel, Types 1 & 2 chassis	Not spared
1	Access Panel, Type 3 chassis	257659-001
2	Chassis assembly, Type 1, for all Celeron 800 MHz to 1.1 GHz and all P3 processors	Not spared
3	Chassis assembly, Type 2, for Celeron 1.1 and 1.2 GHz processors	Not spared
4	Front bezel with bezel blank, Types 1 & 2 chassis	251617-001
5	Front bezel with bezel blank, Type 3 chassis	280560-001
6	Chassis assembly, Type 3, for Celeron 1.2 and 1.3 GHz processors, with front I/O connector	Not spared
7	Power supply, PFC, 145W, Types 1 & 2 chassis	251625-001
*	Power supply, 145W, Types 1 & 2 chassis	251626-001
*	Power supply, PFC, 200W, Type 3 chassis	280568-001
*	Power supply, 200W, Type 3 chassis	280569-001

\* Not shown

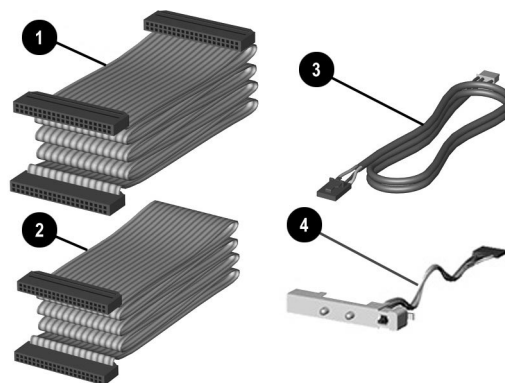


### Mass Storage Devices

1	20-GB Hard drive, 5400 RPM	197799-001
2	48X CD-ROM drive	253105-001
3	Diskette drive, 3.5-inch	251629-001

### Documentation and Packaging (not illustrated)

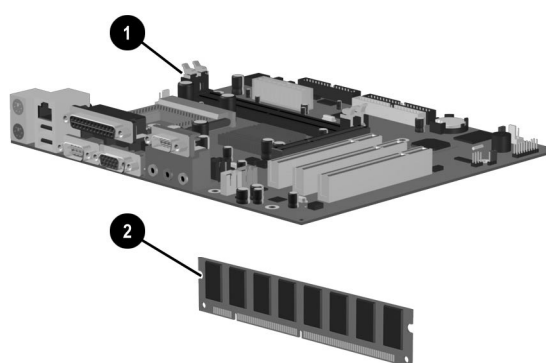
Service Reference Guide	259968-001
Quick Troubleshooting Guide	153837-001
Illustrated Parts Map	260444-001
Return kit	207742-001



### Cables

ATA 66 Cables for Type 1 chassis		
1	Diskette drive cable (143218-0002), 180 mm long	253110-001
2	CD-ROM/hard drive data cable, 350 mm long	253111-001
3	Audio cable, 360 mm long	251621-001
4	LED Power Switch Assembly	251620-001
ATA 100 Cables for Types 2 & 3 chassis		
*	Diskette drive cable, 150 mm long	271723-001
*	CD-ROM drive data cable, 280 mm long	271722-001
*	Hard drive cable, 240 mm long	271721-001
*	Audio cable, 330 mm long	271720-001
*	LED Power Switch Assembly	279960-001

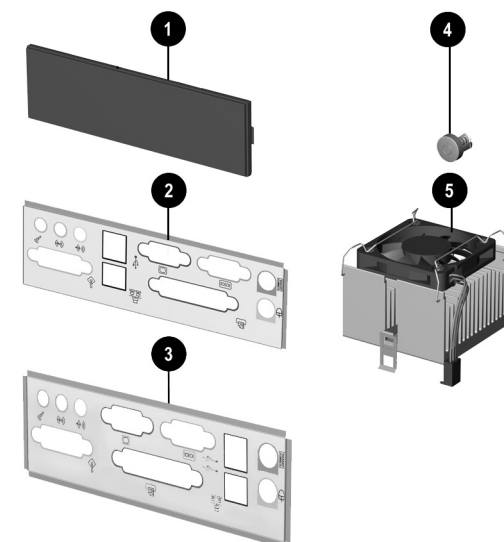
\* Not shown



### Standard and Optional Boards

1	System board, Type 1 Chassis (see System Unit)	251614-001
*	System board, Types 2 & 3 Chassis (see System Unit)	262275-001
2	Memory module, 64 MB	170080-001
*	Memory module, 128 MB	170081-001
Intel Processor with heatsink		
*	Celeron, 800 MHz, Type 1 Chassis	235024-001
*	Celeron, 900 MHz, Type 1 Chassis	261565-001
*	Celeron, 1.1 GHz, Type 1 Chassis	262030-001
*	Celeron, 1.2 GHz, Types 2 & 3 Chassis	263883-001
*	Celeron, 1.3 GHz, Types 2 & 3 Chassis	272404-001
*	Pentium III, 933 MHz, Type 1 Chassis	239421-001
*	Pentium III, 1.0 GHz, Type 1 Chassis	244105-001
*	Modem, V.90	166358-002

\* Not shown



### Miscellaneous Parts

1	Bezel blank	251618-001
2	I/O panel, Type 1 Chassis	251615-001
3	I/O panel, Types 2 & 3 Chassis	271719-001
4	Power button with spring	251619-001
5	Heatsink, up to 866 MHz, Type 1 chassis	251627-001
*	Heatsink, 866 MHz to 1.0 GHz, Type 1 chassis	251628-001
*	Heatsink, 1.1 GHz and above, Types 2 & 3 chassis	268513-001
*	Battery, real-time-clock	153099-001
*	Mouse	253113-001

\* Not shown

### Miscellaneous Screws, Types 1 & 2 (not illustrated)

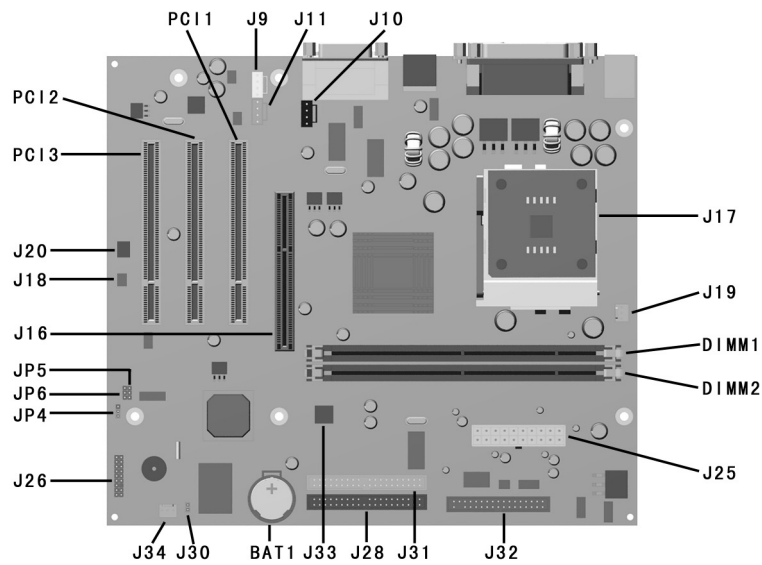
Miscellaneous screw kit, includes:	253112-001
#6-32 x 1/4" long hex head (4 ea)	
#6-32 x 3/16" long round head (3 ea)	
M3 x 6 mm long hex head (14 ea)	

### Miscellaneous Screws, Type 3 (not illustrated)

Miscellaneous screw kit, includes:	280561-001
T15 Torx slotted #6-32 x 0.236" long hex head (4 ea)	
T15 Torx, slotted #6-32 x 0.157" long round head (4 ea)	
T15 Torx slotted M3 x 6 mm long hex head (14 ea)	

### Keyboards (not illustrated)

United States	251623-001
Canadian French	251623-121
Latin American Spanish	251623-161
Japanese (Kanji)	251623-291
Polish	251623-241
People's Republic of China	251623-AA1
Taiwan and Hong Kong	251623-AB1



**System Board Connectors and Jumpers, Type 1 Chassis**

BAT1	External battery	J26	Power-On switch and LED connector
DIMM 1-2	Memory slots	J28	Primary IDE connector
J9	Aux audio in connector	J30	Chassis intrusion connector
J10	CD audio in connector	J31	Secondary IDE connector
J11	Modem in (audio) connector	J32	Diskette drive connector
J16	AGP card socket	J33	Chassis fan
J17	Processor	J34	System fan (power supply)
J18	Wake on Ring	JP4*	ROM BIOS lock
J19	Processor (CPU) fan	JP5	Safe mode
J20	Wake on LAN connector	JP6*	Clear CMOS jumper
J25	Main power connector	PCI1-3	PCI card sockets

\*Default shipping configuration is with Pins 2 & 3 jumpered.

**Interrupts**

IRQ	System Resource	IRQ	System Resource
NMI	I/O channel check	8	Real-time Clock
0	Reserved, interval timer	9	User available
1	Reserved, keyboard buffer full	10	User available
2	Reserved, cascade interrupt from slave PIC	11	User available
3	Serial Port* (COM 2)(user available if COM2 is not present)	12	Onboard mouse port (user available if not present)
4	Serial Port* (COM 1)	13	Reserved, math coprocessor
5	LPT2 (Plug and Play option)/audio /user available	14	Primary IDE controller (user available if not present)
6	Diskette drive controller	15	Secondary IDE controller (user available if not present)
7	Parallel Port* (LPT 1)		

\*Default, but can be changed to another IRQ.

**Clearing CMOS and Passwords, Type 1 Chassis**

1. Turn off the computer and any external devices, then disconnect the power cord from the power outlet.
2. Remove the access panel on the left side of the computer.
3. Locate the header labeled JP6. Place a jumper across pins 1&2 on JP6.
4. Connect the power cord to the power outlet.
5. Turn on the computer.
6. The password reset screen automatically displays. Choose either:  
F1 to reset CMOS  
F4 to reset passwords  
The computer executes the choice and automatically shuts down.
7. Disconnect the power cord from the power outlet.
8. Remove the jumper from JP6 pins 1 & 2 and place it on pins 2 & 3 (safe position).
9. Replace the access panel.
10. Reconnect the power cord to the power outlet and turn the computer on.  
If F1 was selected in step 6, the CMOS defaults are reset when the computer starts.  
If F4 was selected, all passwords are cleared when the computer starts.

NOTE: Clearing CMOS clears the Power-On Password. It does NOT clear the Supervisor Password.

**Clearing CMOS and Passwords, Types 2 & 3 Chassis**

The computer's configuration (CMOS) may occasionally be corrupted. If it is, it is necessary to clear the CMOS memory using jumper SW1.

To clear and reset the configuration, perform the following procedure:

1. Prepare the computer for disassembly.

**CAUTION:** The power cord must be disconnected from the power source before pushing the Clear CMOS Button (NOTE: All LEDs on the board should be OFF). Failure to do so may damage the system board

2. Remove the access panel.
3. Press the CMOS button located on the system board and keep it depressed for 5 seconds.
4. Replace the access panel.
5. Turn the computer on.
6. Run F10 Computer Setup (delete-utility) to reconfigure the system.

\*When the CMOS button is pushed or the jumper is removed, both the power-on password and the setup password become invalid because both are stored in the configuration memory. You will need to reset the passwords.

**Setting the Supervisor and Power-On Passwords**

A. Setting the Supervisor Password provides access protection for the Computer Setup utility.

1. Turn off the computer, then hold down the DEL key until the Computer Setup utility begins.
2. Select "Change Supervisor Password" and follow the screen instructions.
3. The password will be enabled after saving settings and exiting the utility

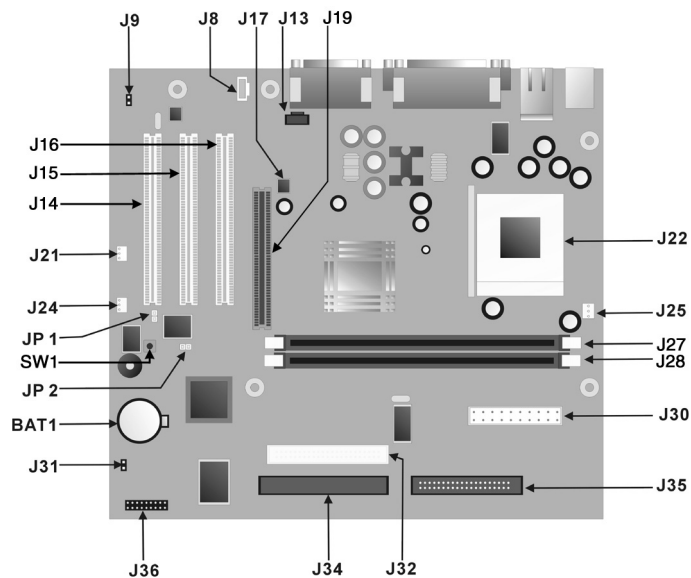
B. Setting a Power-On Password.

NOTE: A Supervisor Password must have been previously set. That same password will be used for the Power-On Password.

1. Turn on the computer, then hold down the DEL key until the Computer Setup utility begins.
2. Select Advanced CMOS Setup--> Password Check.
3. Select "Always" from the Available Options list.
4. The password will be enabled after saving settings and exiting the utility.

NOTE: Clearing passwords clears both the Supervisor and Power-On Passwords, but does not clear the "Always" option. To reset only the Supervisor Password, change "Always" to "Setup" on the available Options list.

NOTE: Clearing CMOS clears the Power-On Password. It does NOT clear the Supervisor Password.



**System Board Connectors and Jumpers, Types 2 & 3 Chassis**

BAT1	External battery	J27, J28	Memory slots
J8	Aux audio in connector	J30	Main power connector
J9	Mono audio out	J31	Chassis intrusion
J13	CD audio in connector	J32	Secondary IDE connector
J14- J16	Expansion card sockets	J34	Primary IDE connector
J17	Chassis fan	J35	Diskette drive connector
J19	AGP card socket	J36	Power-On switch and LED connector
J21	Wake-on LAN connector	JP1*	ROM BIOS lock
J22	Processor socket	JP2*	Safe Mode
J24	System fan	SW1	CMOS reset button
J25	CPU fan		

\*Default shipping configuration is with Pins 2 & 3 jumpered.

\*\*Default shipping configuration is with Pins 1 & 2 jumpered