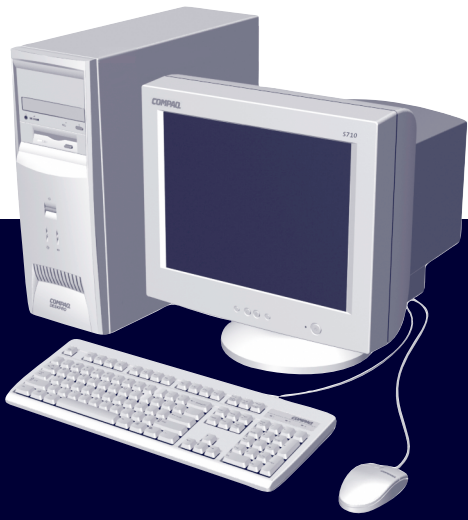


Compaq Deskpro EX and EXS Illustrated Parts Map

Compaq Deskpro EX and EXS
Series of Personal Computers
Minitower Models



COMPAQ

©2000 Compaq Computer Corporation. COMPAQ and the Compaq logo Registered U.S. Patent and Trademark Office.

Microsoft, MS-DOS, Windows and other names of Microsoft products referenced herein are trademarks or registered trademarks of Microsoft Corporation.

Intel and Pentium are registered trademarks of Intel Corporation. MMX and Celeron are trademarks of Intel Corporation.

Product names mentioned herein may be trademarks and/or registered trademarks of their respective companies.

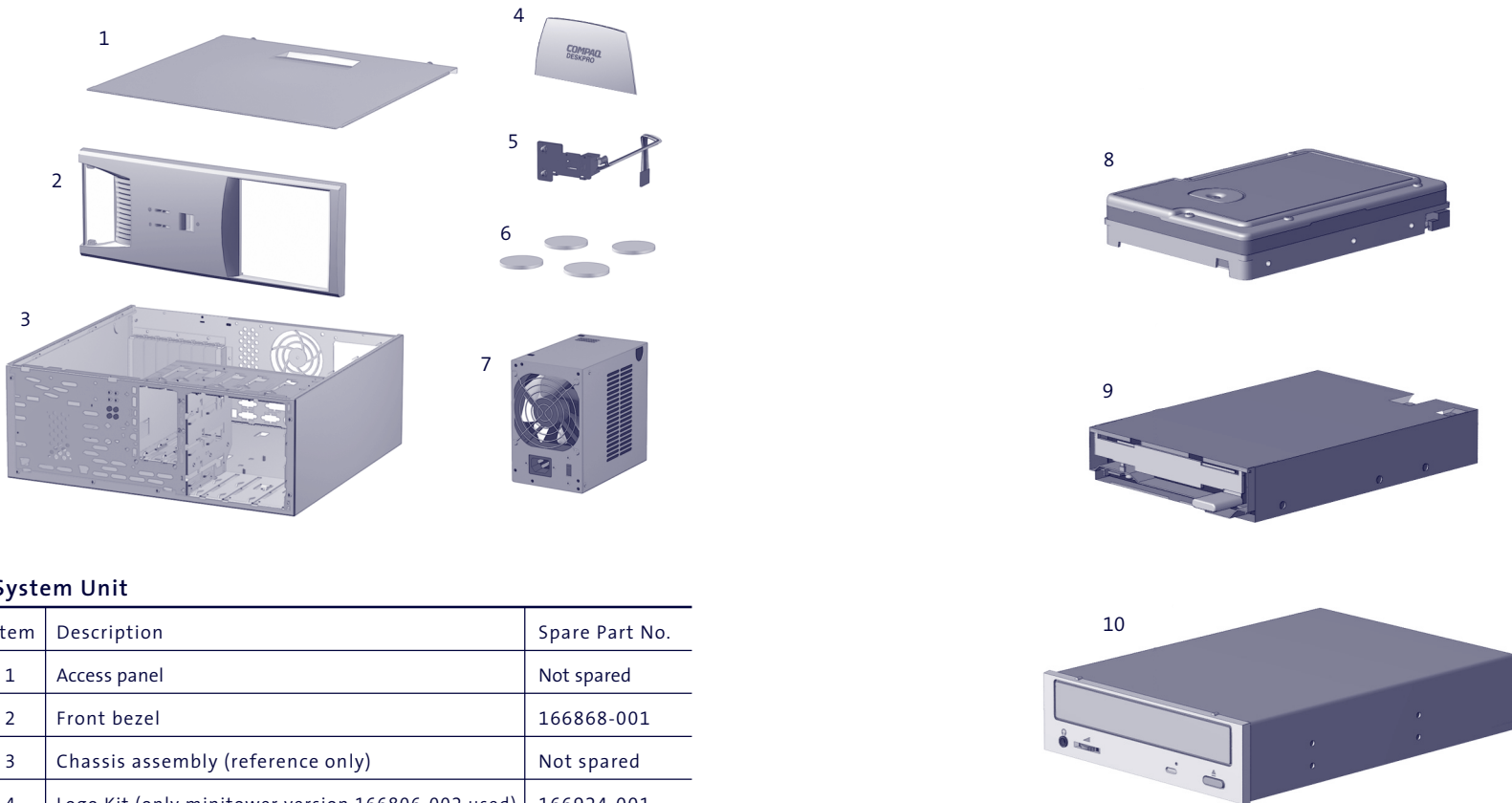
Documentation (Not shown)

Description	Spare Part No.
<i>Maintenance & Service Guide</i>	201856-001
<i>Service Reference Guide</i>	152611-001
<i>Illustrated Parts Map</i>	201858-001
<i>Compaq Quick Troubleshooting Guide</i>	153837-001

Part Number: 215879-001



Spare Part Number: 201858-001



System Unit

Item	Description	Spare Part No.
1	Access panel	Not spared
2	Front bezel	166868-001
3	Chassis assembly (reference only)	Not spared
4	Logo Kit (only minitower version, 166806-002 used)	166924-001
5	Power switch with cable, LED and switch holder	199854-001
6	Feet	Misc Plastics Kit
7	Power supply	201828-001

*Not shown

Mass Storage Devices

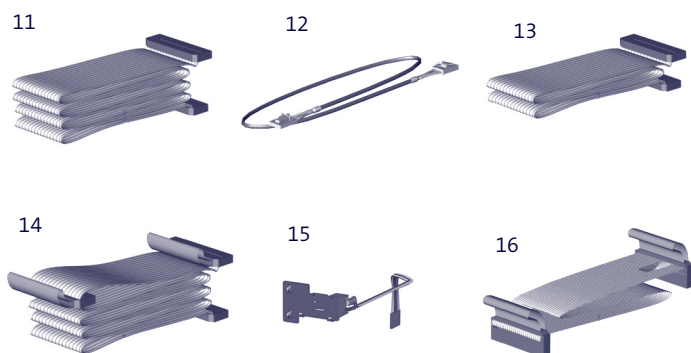
Item	Description	Spare Part No.
8	10-GB Hard drive with (4) mounting screws	203139-001
*	15-GB Hard drive with (4) mounting screws	202903-001
9	Diskette drive, 3.5-inch	158266-001
10	48X CD-ROM drive	187263-001

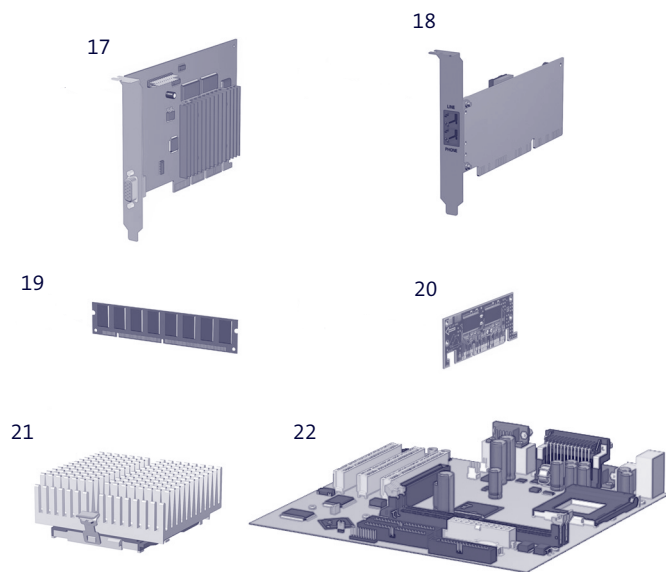
*Not shown

Cables

Item	Description	Spare Part No.
	Cable Kit, includes:	192264-001
11	Single device, hard drive/CD-ROM cable, 18" (108950-019)	
12	Audio cable, 21", (387527-001)	
*	Single device, hard drive/CD-ROM cable, 12.5" (105876-001)	
*	Audio cable, 21" (288489-001) (not used for this product)	
13	Single device, hard drive/CD-ROM cable, 9.75" (108950-021)	
14	Dual device, hard drive/CD-ROM cable, 18", 10" to the first connector	196667-001
15	Power switch/LED cable	199854-001
16	Diskette drive cable	161735-001
*	CD audio cable	149806-001

*Not shown





Standard and Optional Boards

Item	Description	Spare Part No.
17	Nvidia M64, 16MB SDRAM AGP Card	182757-001
18	10/100 PCI Network Interface Card	188297-001
	Memory Module (SDIMM, 133MHz)	
19	128MB	170081-001
*	256MB	192014-001
20	AIMM (GPA) 4MB, 133MHz Graphics Card	192012-001
	Processor, Intel Pentium III	
21	566/66 MHz with heatsink (191832-001) and clip (223575-001)	203967-001
*	600/66 MHz with heatsink (191832-001) and clip (223575-001)	192011-001
*	667/66 MHz with heatsink (191832-001) and clip (223575-001)	192007-001
*	700/66 MHz with heatsink (191832-001) and clip (223575-001)	203968-001
*	733/133 MHz with heatsink (191832-001) and clip (223575-001)	192008-001
*	800/133 MHz with heatsink (191832-001) and clip (223575-001)	192009-001
*	866/133 MHz with fansink (191845-002). Fansink includes fan, heatsink, and clip.	192006-001
*	933/133 MHz with fansink (191845-002). Fansink includes fan, heatsink, and clip.	203969-001
22	System board	203966-001

*Not shown

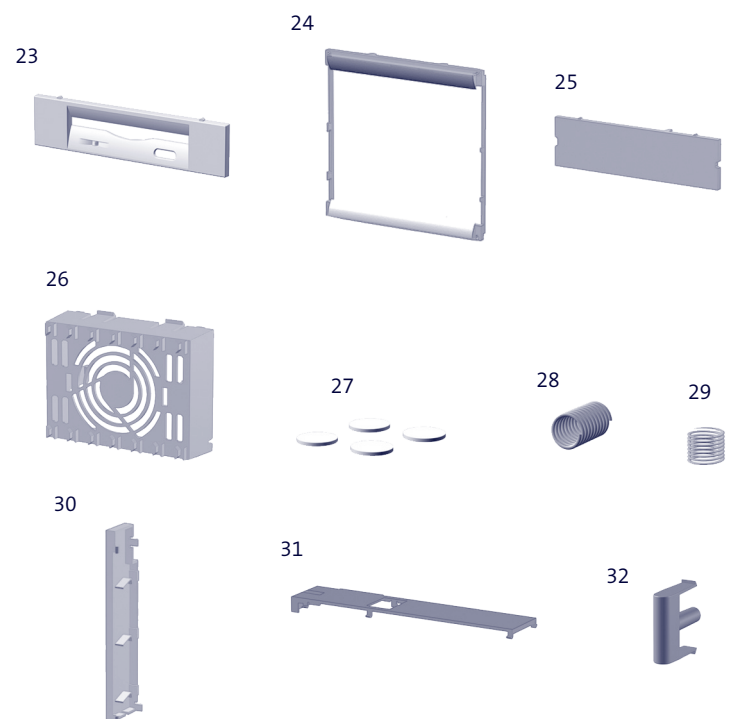
Miscellaneous Parts (Not shown)

Mouse – Scroll, Opal	334689-002
----------------------	------------

Miscellaneous Plastics Kit

Item	Description	Spare Part No.
	Miscellaneous Plastics Kit, includes:	166878-001
23	Diskette bezel (166776-001)	
24	Panel, sub (166835-001)	
25	Bezel, blank (166775-001)	
26	Card guide (166778-001)	
27	Foot, rubber (4 ea.) (166939-002)	
28	Spring, power button (166837-001)	
29	Springs, drivelock (2 ea.) (166837-002)	
30	Drivelock, DT (166779-001)	
31	Drivelock, MT (166780-001)	
32	Button, power (166774-001)	
*	Retention mechanism (2 ea.) (350767-001)	

*Not shown



Miscellaneous Screw Kit (Not shown)

Description	Spare Part No.
Miscellaneous Screw Kit, includes:	179180-001
6-32 x 1/4 hi-top, thread-forming screw with serrations (5 ea.) (192308-001)	
6-19 x 5/16 panhead, plastite screw (4 ea.) (101346-068)	
6-19 x 5/16 hi-top, taptite screw with captive washer (4 ea.) (114399-069)	
6-32 x 3/16 hi-top, thread-forming screw with serrations (5 ea.) (192308-003)	
M3 x 5mm, hi-top, taptite screw with serrations (4 ea.) (247348-001)	
6-32 x 3/16 buttonhead tamper-resistant, taptite screw with serrations (3 ea.) (296769-002)	
6-32 x 5/16 hi-top, taptite screw (4 ea.) (109834-568)	
6-19 x 1/2 Panhead, plastite screw (5 ea.) (101346-071)	
Thumbscrew, molded cap (4 ea.) (179333-002)	

Keyboards (Not shown)

Keyboard Type	Spare Part No.
Easy Access Keyboard-US	123130-xxx
Dutch	-331
Finnish	-351
French	-051
International	-B31
Norwegian	-091
Spanish	-071
Swedish	-101
United Kingdom	-031
U.S.	-001