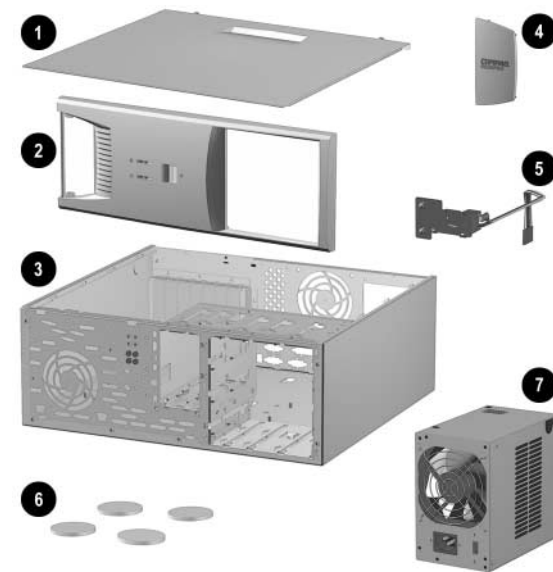


# Compaq Deskpro EN Convertible Minitower

Illustrated Parts Map



## COMPAQ



### System Unit

1	Access Panel	Not spared
2	Front bezel	166868-001
3	Chassis assembly (reference only)	Not spared
4	Logo kit (1 ea., DT and MT) DT shown	210004-001
5	Power switch with cable, LED, and switch holder	192013-001
6	Feet	Plastics Kit
7	Power supply	103748-001

### Mass Storage Devices (not illustrated)

10-GB UATA 66, 7200 Quiet hard drive	192058-001
10-GB, UATA 66, 7200 hard drive	135364-001
15-GB UATA 66, 7200 Quiet hard drive	192059-001
5-GB UATA 66, 7200 hard drive	192060-001
20-GB, UATA, 7200 hard drive	180476-001
20-GB, UATA, 7200 hard drive	157403-001
Diskette drive, 3.5-inch, buttonless, opal	191714-001
40X CD-ROM drive	400807-001
48X CD-ROM drive	187263-001
16X DVD-ROM drive	213251-001

### Miscellaneous Screws (not illustrated)

Miscellaneous screw kit, includes:	179180-001
6-32 x 1/4 hi-top, thread forming with serrations (4 ea.) (192308-001)	
6-19 x 5/16 panhead, plastite (5 ea.) (101346-068)	
6-19 x 5/16 hi-top, plastite with captive washer (4 ea.) (114399-069)	
6-32 x 3/16 hi-top, thread forming with serrations (5 ea.) (192308-003)	
M3 x 5mm, hi-top, plastite with serrations (3 ea.) (247348-001)	
6-32 x 3/16 buttonhead tamper-resistant, tapite with serrations (4 ea.) (296769-002)	
6-32 x 5/16 hi-top, tapite (5 ea.) (109384-568)	
6-19 x 1/2 panhead, plastite (4 ea.) (101346-071)	
Thumbscrew, molded cap (179333-002)	

© 2001 Compaq Computer Corporation.

Compaq and the Compaq logo are trademarks of Compaq Information Technologies Group, L.P.

Intel, Pentium, and Celeron are trademarks of Intel Corporation in the United States and other countries.

All other product names mentioned herein may be trademarks of their respective companies.

Compaq shall not be liable for technical or editorial errors or omissions contained herein. The information in this document is provided "as is" without warranty of any kind and is subject to change without notice. The warranties for Compaq products are set forth in the express limited warranty statements accompanying such products. Nothing herein should be construed as constituting an additional warranty.

August 2001

Part Number 203252-002

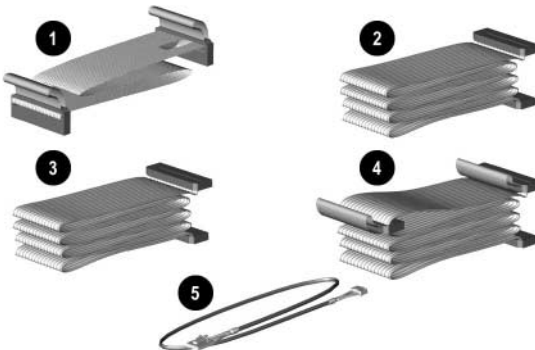


Spare Part Number 203722-001



### Miscellaneous Plastics (not illustrated)

Miscellaneous plastics kit, includes:	166878-001
Panel, sub (166835-001)	
Bezel, blank (166775-001)	
Diskette bezel (166776-001)	
Card guide (166778-001)	
Foot, rubber (4 ea.) (166939-002)	
Button, power (166774-001)	
Drivelock, DT (166779-001)	
Spring, power button (166837-001)	
Spring, drivelock (2 ea.) (166837-002)	
Drivelock, MT (166780-001)	
Retention mechanism (2 ea.) (350767001)	



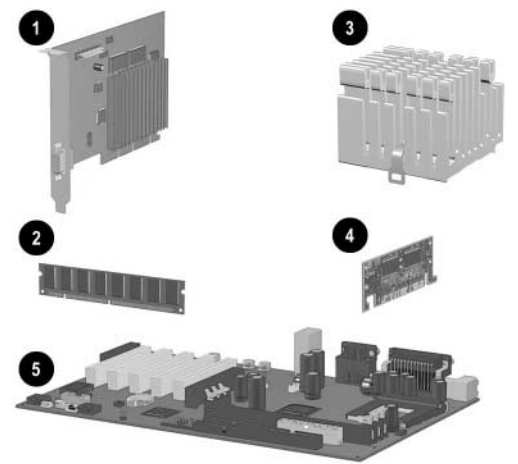
### Cables

1	Diskette drive cable (143218-0002)	228369-001
*	Solenoid cable (174311-001)	228370-001
Cable kit, includes:		166879-002
*	Diskette drive data cable with twist, 11" with pull tab (and center polarization (143218-001)	
2	40-pin IDE cable, 12.5" (105876-001)	
3	IDE Ultra ATA dual device, hard drive/CD-ROM cable, 18" with pull tab, center polarization (108950-007)	
*	Dual-LED power cable (387727-001)	
*	Switch mounting bracket (3 ea.), (166777-001)	
*	Diskette drive/tape cable, with twist, no key, 34" (356107-001)	
*	Diskette drive cable, with twist, no pull tab, (387795-001)	
Cable kit, includes:		192264-001
4	IDE Ultra ATA dual device, hard drive/CD-ROM cable, 18" (108950-019)	
5	Audio cable, 21", (288489-002)	
*	40 pin IDE data cable, 12.5" (105876-001)	
5	Audio cable, Panther 21" (387527-001)	
*	IDE Ultra ATA dual device, hard drive/CD-ROM cable, 18" (108950-021)	
Cable kit, includes:		192263-001
5	Audio cable, 12" (358727-002)	
*	CD-ROM cable, 18" (108950-017)	

\*Not shown

### Documentation and Packaging (not illustrated)

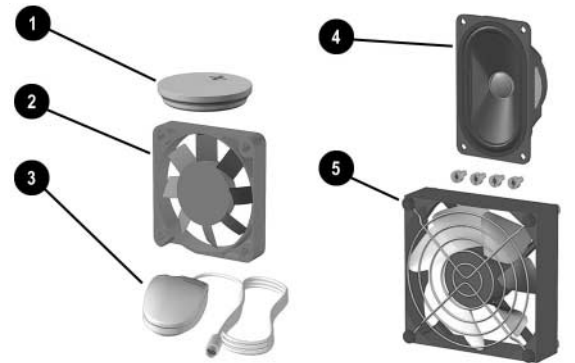
Maintenance & Service Guide	201843-001
Service Reference Guide	152611-001
Quick Troubleshooting Guide	153837-001
Illustrated Parts Map	203722-001
Return kit	166990-001
Return kit, International, with carton and buns	166990-002



### Standard and Optional Boards

1	TNT2 PRO graphics	179997-001
2	Memory module, 64 MB SDIMM	170080-001
*	Memory module, 128 MB SDIMM	170081-001
*	Memory module, 256 MB SDRAM	192014-001
Processor, Intel Celeron with heatsink		
3	600/66 MHz with heatsink	192011-001
*	733/66 MHz with heatsink	231234-001
*	850/100 MHz with heatsink	239115-001
Processor, Intel Pentium III		
*	667/133 MHz with heatsink	192007-001
*	733/133 MHz with heatsink	192008-001
*	800/133 MHz with fansink	192009-001
*	866/133 MHz with fansink	192006-001
*	933/133 MHz with fansink	192010-001
*	1 GHz with fansink	218316-001
*	1.13 GHz, Tualatin, without heatsink	239112-001
*	1.20 GHz, Tualatin, without heatsink	239113-001
4	AIMM (GPA) 4 MB graphics	192012-001
5	System board, Tualatin ready (replaces 187498-001)	239116-001
*	System board (replaced by 239116-001)	187498-001
*	NIC 10/100 PCI	118042-001
*	Modem, 56K, PCI	157071-B21
*	nVIDIA graphics card, 32-MB	232244-001

\*Not shown



### Miscellaneous Parts

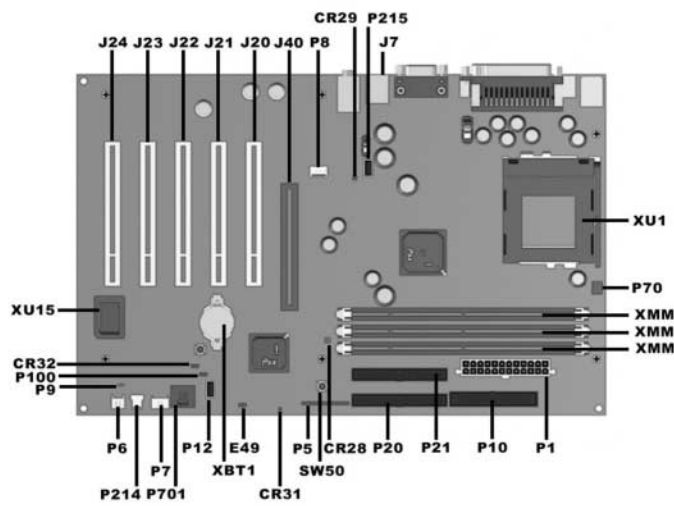
1	Battery	153099-001
2	Active fansink (733 MHz through 866 MHz)	228026-001
*	Active fansink (933 MHz and 1.0 GHz only)	245261-001
*	Active fansink (1.13 GHz and faster)	239119-001
3	Mouse, scroll, Opal	334689-002
4	Speaker	192518-001
5	Fan assembly (use with 933 MHz Pentium III processors and above)	207609-001
*	External speaker	294408-001
*	Solenoid, 2-coil	201485-001
*	Security reader	294427-001

\*Not shown

### Keyboards (not illustrated)

Easy Access, U.S.	123130-xxx		
Spacesaver, Opal	269513-xxx		
Basic Smart Card, U.S.	125790-xxx		
Enhanced Smart Card, U.S.	125761-xxx		
USB Easy Access, U.S.	173304-xxx		
Arabic	-171	International	-B31
Belgian	-181	Latin American Spanish	-161
Brazilian Portuguese	-201	Norwegian	-191
BHCSY*	-B41	Polish	-B31
Czech	-221	Portuguese	-131
Danish	-081	Russian	-251
Dutch/Netherlands	-B31	Slovakian	-231
Finnish	-351	Spanish	-071
French	-051	Swedish	-101
French-Canadian	-121	Swiss	-111
German	-041	Taiwanese	-AB1
Greek	-151	Thai	-281
Hungarian	-211	Turkish	-141
Italian	-061	United Kingdom	-031
Japanese	-191	U.S.	-001
Korean (Hanguel)	-AD1		

\*Bosnia-Herzegovina, Croatia, Slovenia, and Yugoslavia



### System Board Connectors and Jumpers

CR28	3.3V Aux LED	P10	Diskette drive connector
CR29	3.3 V Main LED (NI)	P12	SOS connector
CR31	Power button LED (ON when pushed)	P20	Primary IDE connector
CR32	5 V Aux (ON)/PS_ON_LED (OFF)	P21	Secondary IDE connector
E49	Password jumper (Installed = Enabled, Removed = Cleared)	P70	CPU fan connector
J7	RJ-45 jack	P100	ITP connector
J20-24	PCI slots	P214	Hood intrusion sensor
J40	AGP/AIMM connector	P215	Hood lock solenoid connector
P1	Power supply connector	P701	CD-ROM audio
P5 (pins 1-9)	Power button, Power LED, and HD LED connector	SW50	Clear CMOS button
P5 (pins 10-11)	SCSI LED connector	XBT1	Battery
P6	Speaker connector	XMM1-3	Memory sockets
P7	CD-ROM audio	XU1	Processor socket
P8	Chassis fan connector	XU15	ROM socket
P9	Wake On Lan connector		

### System Hardware Interrupts

IRQ	System Function	IRQ	System Function
0	Timer Interrupt	8	Real-Time Clock
1	Keyboard	9	Available for PCI
2	Interrupt Controller Cascade	10	Available for PCI
3	Serial Port (COM B)	11	Available for PCI
4	Serial Port (COM A)	12	Mouse
5	Audio	13	Coprocessor
6	Diskette Drive	14	Primary IDE controller
7	Parallel Port (LPT 1)	15	Secondary IDE controller

### System Hardware DMA

DMA	System Function	DMA	System Function
0	Unused	4	DMA Controller Cascading
1	Unused	5	Unused
2	Diskette Drive	6	Unused
3	ECP Parallel Port LPT1 (Default; Alternate = DMA 0)	7	Unused

### ICH Fixed I/O Registers

Port	Register Name
00h, 02h, 04h, 06h	Channel 0, 1, 2, 3 DMA base and current address register
C0h, C4h, C8h, CCh	Channel 4, 5, 6, 7 DMA base and current address register
01h, 03h, 05h, 07h	Channel 0, 1, 2, 3 DMA base and current count register
C2h, C6h, CAh, CEh	Channel 4, 5, 6, 7 DMA base and current count register
10h-1Fh	Aliased at 00h-0Fh
20h	Master PIC ICW1 Init. Cmd Word 1 register, Master PIC OCW2 Init. Cmd Word 2 register, and Master PIC OCW3 Init. Cmd Word 3 register
21h	Master PIC OCW1 Init. Cmd Word 1 register, Master PIC ICW2 Init. Cmd Word 2 register, and Master PIC ICW3 Init. Cmd Word 3 register
24h,-25h, 28-29h, 2Ch-2Dh, 30h-31h, 34h-35h, 38h-39h, 3Ch-3Dh	Aliased at 20h-21h
40h	Counter 0 interval time status byte format and Counter 0 counter access port register
41h	Counter 1 interval time status byte format and Counter 1 counter access port register
42h	Counter 2 interval time status byte format and Counter 2 counter access port register
43h	Timer control word register, Timer control word register read back, and Counter latch command
50h-53h	Aliased at 40h-43h
61h	NMI status and control register
70h	NMI enable register and Real-time clock (Standard RAM) index register
71h	Real-time clock (Standard RAM) target register
72h	Extended RAM index register
73h	Extended RAM target register
74h-75h	Aliased at 70h-71h
76h-77h	Aliased at 72h-73h or 70h-71h
81h, 82h, 83h	Channel 2, 3, 1 DMA memory low page register
84h-86h, 88h	Reserved page registers
89h, 8Ah, 8Bh	Channel 6, 7, 5 DMA memory low page register
8Ch-8Eh	Reserved page registers
8Fh	Refresh low page register
91h-9Fh (except 92h)	Aliased at 81h-8Fh
92h	Fast A20 and INIT register
CF9h	Reset control register
A0h	Slave PIC ICW1 Init. cmd word 1 register, Slave PIC OCW2 Init. cmd word 2 register, and Slave PIC OCW3 Init. cmd word 3 register

### ICH Fixed I/O Registers (Continued)

Port	Register Name
A1	Slave PIC ICW2 Init. cmd word 2 register, Slave PIC ICW3 Init. cmd word 3 register, Slave PIC ICW4 Init. cmd word 4 register, and Slave PIC OCW1 Init. cmd word 1 register
A4h-A5h, A8h-A8h, ACh-ADh, B0h-B1h, B4h-B5h, B8h-B9h, BCh-Bdh	Aliased at A0h-A1h
B2h	Advanced power management control port register
B3h	Advanced power management status port register
C0h, C4h, C8h, CCh	Channel 4, 5, 6, 7 DMA base and current address register
C1h	Aliased at C0h
C5h	Aliased at C4h
C9h	Aliased at C8h
CDh	Aliased at CCh
C2h, C6h, CAh, CEh	Channel 4, 5, 6, 7 DMA base and current count register
C3h	Aliased at C2h
C7h	Aliased at C6h
CBh	Aliased at CAh
CFh	Aliased at Ceh
D0h	Channel 4-7 DMA command register and status register
D1h	Aliased at D0h
D4h	Channel 4-7 DMA write single mask register
D5h	Aliased at D4h
D6h	Channel 4-7 DMA channel mode register
D7h	Aliased at D6h
D8h	Channel 4-7 DMA clear byte pointer register
D9h	Aliased at D8h
DAh	Channel 4-7 DMA master clear register
DBh	Aliased at DAh
DCh	Channel 4-7 DMA clear mask register
DEh	Aliased at DCh
DEh	Channel 4-7 DMA write all mask register
DFh	Aliased at DEh
F0h	Coprocessor error register
170h-177h	PIO mode command block offset for secondary drive
1F0h-1F7h	PIO mode command block offset for primary drive
376h	PIO mode control block offset for secondary drive
3F6h	PIO mode control block offset for primary drive
4D0h	Master PIC edge/level triggered register
3F6h	PIO mode control block offset for primary drive
4D1h	Slave PIC edge/level triggered register
400-47F	Super I/O
F800-F87F	Reserved (power management)
FA00-FA3F	Reserved (GPIO management)
FC00-FC0F	Reserved (SMBUS controller)

NOTE: When the POS\_DEC\_EN bit is set, additional I/O ports get positively decoded by the ICH.

### System Memory Map

Size	Memory Address	System Function
512 KB	FFFFFFFh to FFF80000h	System ROM
3839 MB	FFBFFFFFFh to 10000000h	PCI memory expansion
511 MB	0FFFFFFFh to 00100000h	Host or PCI memory expansion
128 KB	000FFFFFFh to 000E0000h	System ROM
96 KB	000DFFFFFFh to 000C8000h	PCI option ROMs
32 KB	000C7FFFh to 000C0000h	Video ROM
128 KB	000BFFFFFFh to 000A0000h	Video RAM
640 KB	0009FFFFFFh to 00000000h	Base memory

### Clearing CMOS\*

The computer's configuration (CMOS) may occasionally be corrupted. If it is, it is necessary to clear the CMOS memory using switch SW50.

To clear and reset the configuration, perform the following procedure:

1. Prepare the computer for disassembly.

2. Remove the access panel.
3. Press the CMOS button located on the system board and keep it depressed for 5 seconds.
4. Replace the access panel.
5. Turn the computer on and run F10 Computer Setup (delete-utility) to reconfigure the system.

\*When the CMOS button is pushed or the jumper is removed, both the power-on password and the setup password become invalid because both are stored in the configuration memory. You will need to reset the passwords.

### Disabling or Clearing the Power-On and Setup Passwords\*

1. Turn off the computer and any external devices, and disconnect the power cord from the power outlet.
2. Remove the access panel.
3. Locate the header and jumper labeled E49.
4. Remove the jumper from pins 1 and 2. Place the jumper over pin 2 only, in order to avoid losing it.
5. Replace the access panel.
6. Plug in the computer and turn on power. Allow the operating system to start. (Placing the jumper on pin 2 clears the current passwords and disables the password features.)
7. To re-enable the password features, repeat steps 1-3, then replace the jumper on pins 1 and 2.
8. Repeat steps 5-6, then establish new passwords.

Refer to the Computer Setup (F10 Setup) instructions to establish new passwords.

\*When the CMOS button is pushed or the jumper is removed, both the power-on password and the setup password become invalid because both are stored in the configuration memory. You will need to reset the passwords.