

About This Device

The Compaq Power Distribution Unit is available in 4 models:

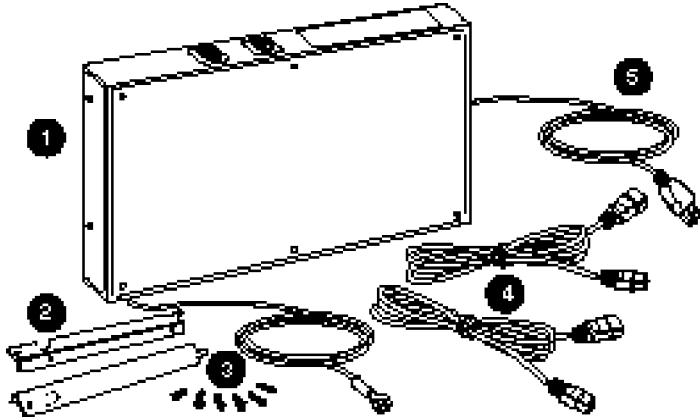
- Low voltage: 100–127 VAC
- Low voltage - Japanese: 100–127 VAC
- High voltage: 200–240 VAC
- High voltage - North America: 200–240 VAC

The Power Distribution Unit includes the following features:

- Mounts on the side of a rack preserving interior and front panel rack space
- Provides 12 receptacles for rack-mounted devices
- Protects against electrical line surges
- For use with UL certified ITE equipment

Kit Contents

- 1 Power Distribution Unit
- 2 Brackets for rack installation (2)
- 3 Mounting screws (6)
- 4 IEC-320 jumper cord (2) — high voltage models only
- 5 Non-detachable power cord for low voltage model; detachable power cords for high voltage models



To order additional IEC-320 power cords, use the following part numbers:

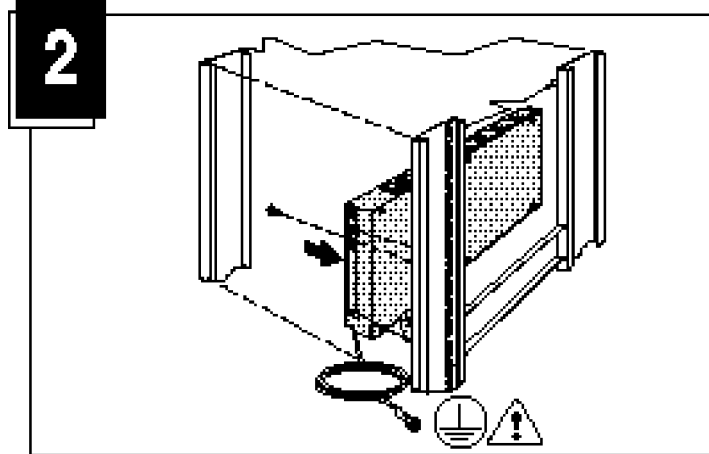
- 2.0 m length 142257-001
- 2.5 m length 142257-002
- 3.0 m length 142257-003

Installing the Brackets

Attach one bracket to each side of the unit.

Installing the Unit in a Rack

Use the hooks on the brackets to install the unit at either side of the rack. Use two screws to secure the unit.

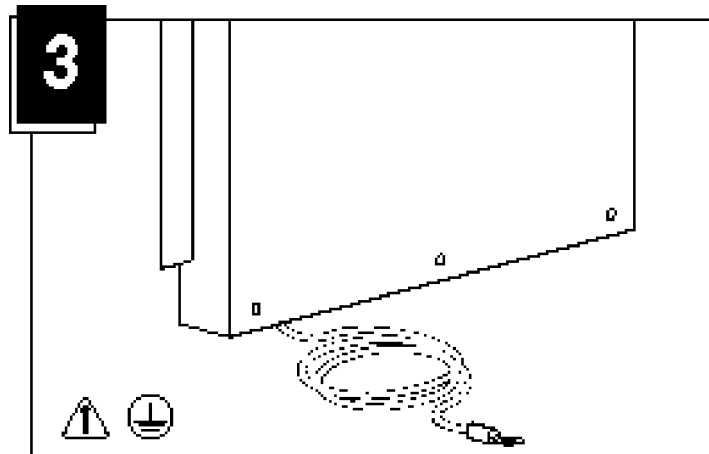


Attaching the Supplementary Ground



WARNING: To reduce the risk of electrical shock due to high leakage current, a grounded (earthed) connection is essential before connecting the unit to an AC supply. Connect the supplementary ground cable (supplied) to a building ground terminal located near the equipment.

Attach the supplementary ground cable (protective earthing conductor) to a suitable building ground terminal in accordance with local and regional electrical codes governing equipment.



Suitable power cords include:

- | | |
|-------------------------|-------|
| ■ North America | 29554 |
| ■ Euro | 29554 |
| ■ UK | 29554 |
| ■ Denmark/Switzerland | 29554 |
| ■ South Africa/India | 29554 |
| ■ Australia/New Zealand | 29554 |

Connecting Your Device

Make sure that the devices connected to the Power Distribution Unit do not exceed the unit's capacity. The unit includes 12 receptacles: 6 on the top circuit breaker (Circuit Breaker 1), and 6 on the bottom circuit breaker (Circuit Breaker 2). The low voltage model has a maximum capacity of 24A total; the high voltage model has a maximum capacity of 16A.

If connecting a Compaq 3KVA UPS to the Power Distribution Unit, use the appropriate 16A (20A North America) power cord (part number 295633-B21).

About the Breakers

The Circuit Breakers protect the Power Distribution Unit and any devices connected to it from damage caused by an incoming electrical surge or equipment failure. The LED associated with a particular Circuit Breaker indicates when the breaker is in normal operating mode.

If power to the unit is interrupted, check the status of the Circuit Breakers. Reset them, if necessary. If power is still not restored, contact your Authorized Compaq Service Representative.

