

StorageWorks by Compaq

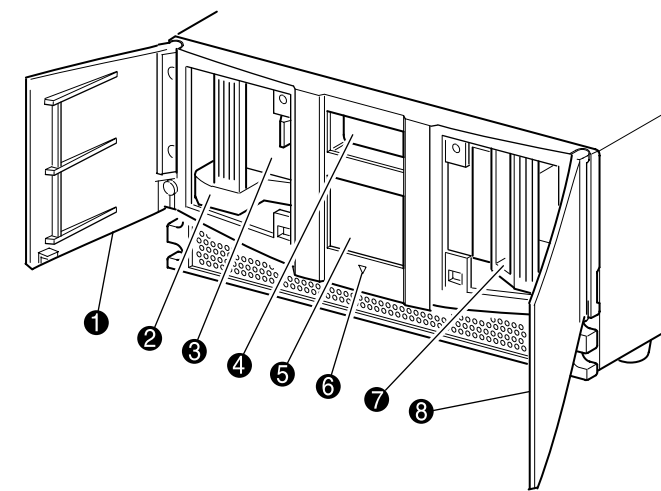
MSL5026 Library

Overview & Installation

Documents

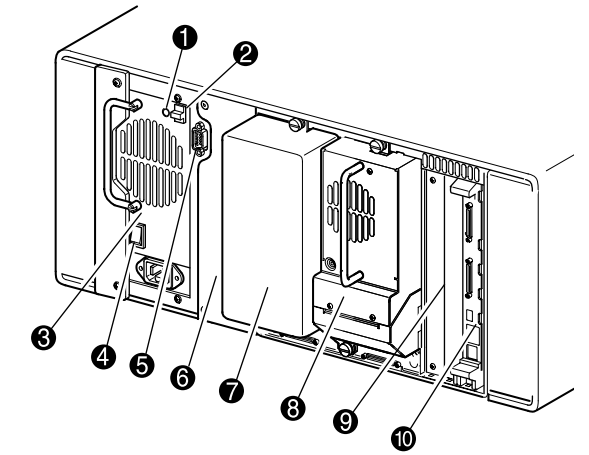
<i>Compaq StorageWorks™ MSL5000 Series Library User Guide</i>	This document provides information about the MSL5000 Series Libraries, including system installation and configuration, operation, maintenance and troubleshooting instructions, and specifications.
<i>Compaq StorageWorks MSL5000 Series Library Rack Mount Template</i>	This template serves as a tool to quickly measure and mark a rack for proper installation of a MSL5000 Series Library.
<i>Compaq StorageWorks MSL 5000 Series Documentation CD</i>	CD containing electronic versions of all MSL5000 Series Library product documentation in English, French, Italian, German, Spanish, Danish, and Japanese.
<i>Compaq StorageWorks MSL5026 and MSL5052 Overview and Installation Instructions.</i>	These documents contain product overview information and quick installation instructions for experienced installers.
<i>Compaq World Wide Warranty Statement</i>	This document contains information about the warranty for your library.
<i>Compaq World Wide Telephone Booklet</i>	This document contains contact information for Compaq resources the world over.
<i>Important Safety Information Booklet</i>	This document contains information about common sense precautions necessary when working with equipment powered at wall receptacle service levels.

Front View



- 1 Left Magazine Door
- 2 Left Magazine
- 3 Mail Slot
- 4 Viewing Window
- 5 GUI Touch Screen
- 6 Library Status LED
- 7 Right Magazine
- 8 Right Magazine Door

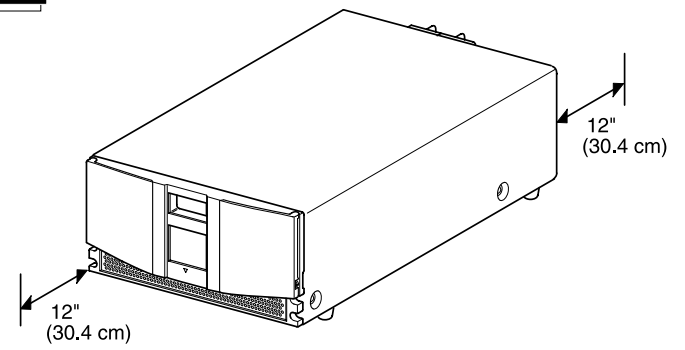
Rear View




- 1 Power On LED
- 2 Power Supply Release Latch
- 3 Power Supply
- 4 Power Switch
- 5 Pass-Through Mechanism Interface Controller (available 5/2001)
- 6 Pass-Through Mechanism Mounting Location (available 5/2001)
- 7 Blank Cover
- 8 Tape Drive 0
- 9 Accessory PCI Slots (2)
- 10 Library Controller Board


Open Card Completely Before Beginning Installation Procedures

1 Setting Up the Tabletop Model

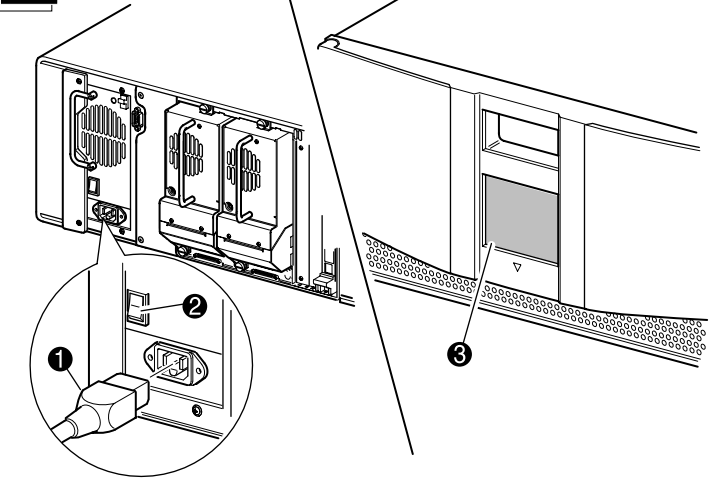


The library tabletop model requires no mechanical assembly for mounting. Place the library on a desk, table, or other stable, horizontal surface. Make sure the cooling grills at the front and fans at the rear of the library are not obstructed. Allow 12 inches (30.4 cm) of clearance at the front and rear for magazine and hot-plug tape drive access.

 Any surface or area of the equipment marked with these symbols indicates the presence of a hot surface or hot component. If this surface is contacted, the potential for injury exists.

 **WARNING:** To reduce the risk of injury from a hot component, allow the surface to cool before touching.

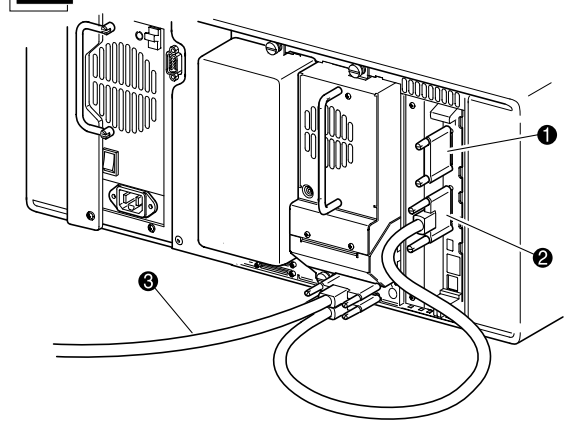
2 Powering the Library



- a. Connect the supplied power cord 1 to the power supply's receptacle.
- b. Toggle the power switch 2 on.
- c. Press anywhere on the GUI touch screen 5 to activate the display and power on the library.

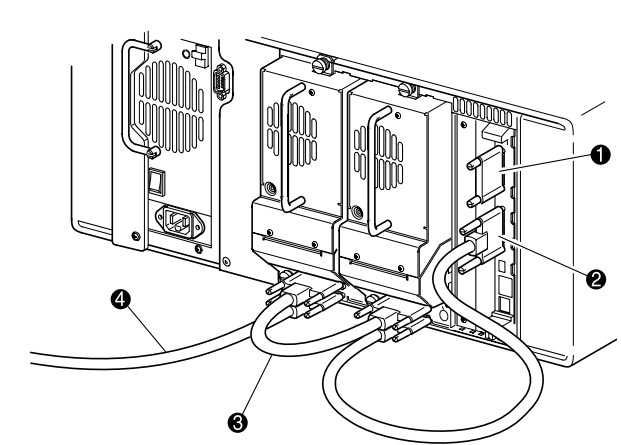
IMPORTANT: The magazine doors have both an electrical release (via the GUI touch screen) and a manual release. It is recommended that the doors are always opened using the GUI touch screen. In an emergency, the doors can be manually opened by pushing a paper clip into the mechanical releases directly behind the front panel grill.

3 Cabling the Library

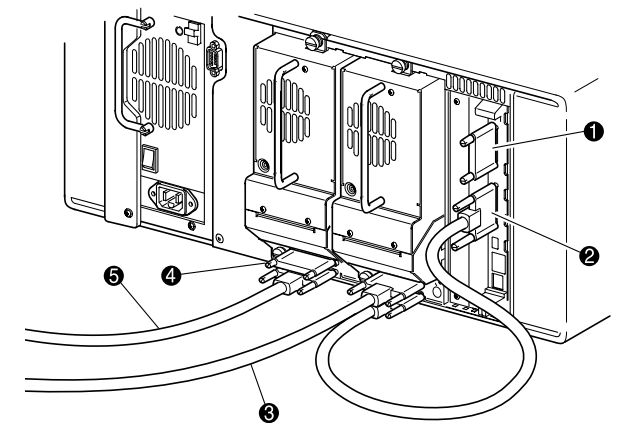


- One Drive, Single Host**
- 1 SCSI Terminator
 - 2 To Library Controller Board
 - 3 To Host

NOTE: Host cables are not supplied. Refer to the *Compaq StorageWorks MSL5000 Series Library User Guide* for complete configuration and operation information.



- Two Drives, Single Host**
- 1 SCSI Terminator
 - 2 To Library Controller Board
 - 3 Jumper Cable
- IMPORTANT:** The short jumper cable is designed specifically for this use only. Stretching it to reach the library controller board can damage the cable. Use the longer supplied cable to connect the tape drive and library controller board.
- 4 To Host

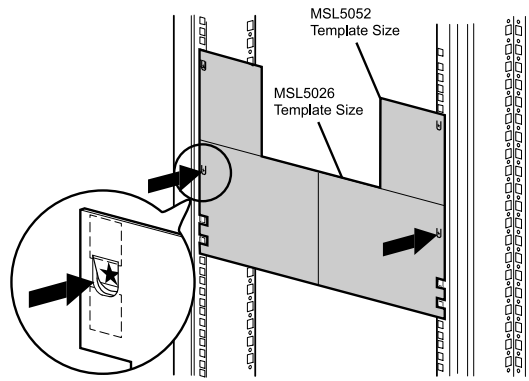


- Two Drives, Dual Host**
- 1 SCSI Terminator
 - 2 To Library Controller Board
 - 3 To Host (Drive 0)
 - 4 SCSI Terminator
 - 5 To Host (Drive 1)



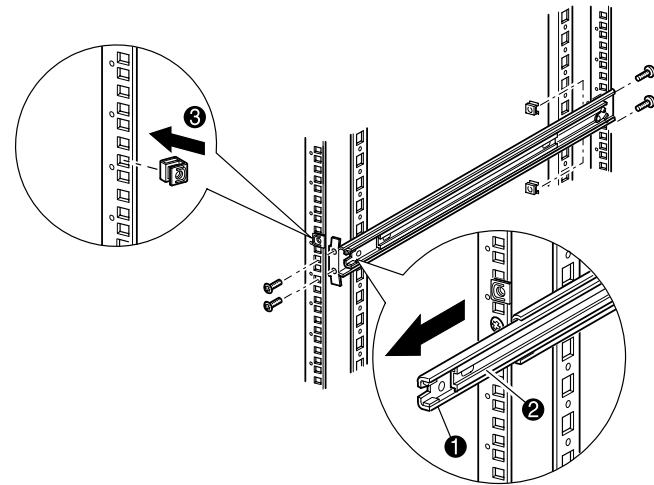
1 Installing the Rails

IMPORTANT: When installing the MSL5000 Series Library into an Compaq H9A rack an H9A Rack Rail Adapter Kit part number 254795-001 is required.



Use the template shipped with the library to mark the location of the mounting hardware on the mounting rails of the storage cabinet.

- Push back the tabs in the top of the template and place them in the holes of the mounting rails. Match up the hole pattern printed on the sides of the template with the hole pattern in the mounting rails.
- Make sure to begin measuring in the correct place. If a component is already installed immediately below the planned position of the new component, place the template against the front mounting rails and rest it on top of the previously installed component.
- Use the front of the template to mark the attachment points for mounting brackets, rails, components, or clip nuts on the front of the storage cabinet.
- Use the back of the template to mark the attachment points for mounting brackets, rails, components, or cage nuts on the back of the storage cabinet.

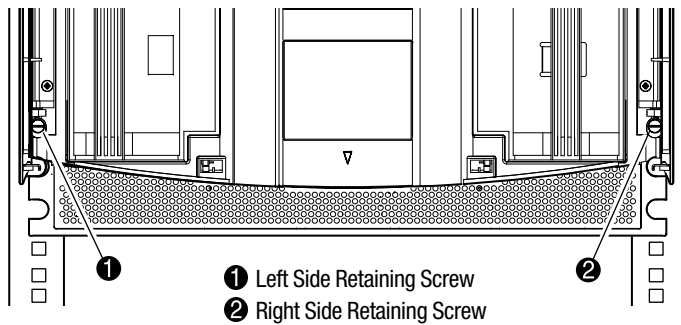


- Remove the template, then attach the rails using the supplied fasteners. Rail front brackets are threaded to directly accept screws. Rear brackets are not threaded and require installation of cage nuts in the storage cabinet's rear vertical rails. Refer to the *Compaq Rack Products Reference Guide* for detailed cage nut installation instructions.

IMPORTANT: Fully tighten the front rail screws. Leave the rear rail screws "finger tight" to prevent binding when mounting the library.

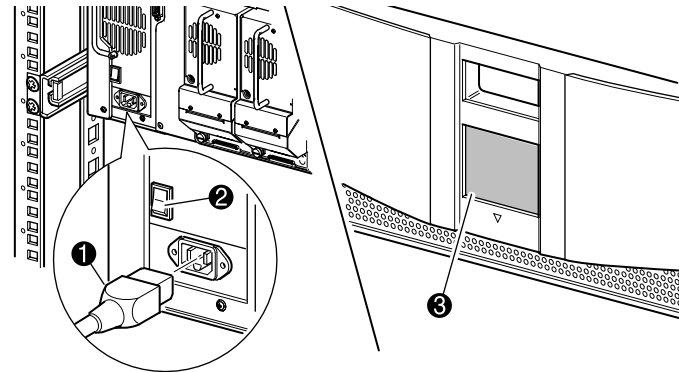
- Fully extend the slide rails 1 on both sides of the storage cabinet until they lock.
- Slide the inner bearing race 2 as far as possible to the front of the rail assembly.
- Install the two slide-on clip nuts in positions marked 3.

4 Securing the Library



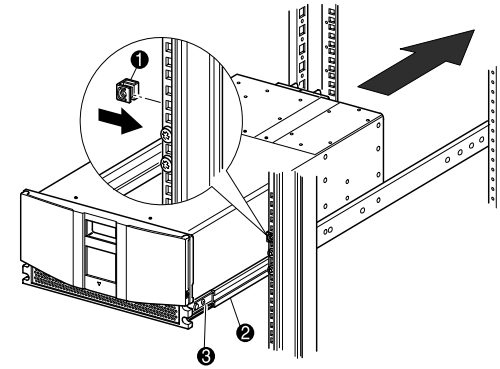
With the doors open, secure the front panel to the storage cabinet using the two retaining screws. Close the doors before proceeding to Step 5.

5 Powering the Library



- Connect the supplied power cord 1 to the power supply's receptacle.
- Toggle the power switch 2 on.
- Press anywhere on the GUI touch screen 3 to activate the display and power on the library.

2 Installing the Library

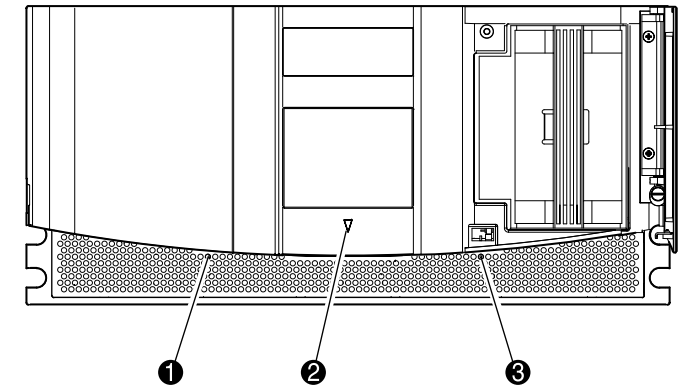


WARNING: Two people are required to perform the next step. Make certain, when the library is fully extended, that a force of 20% of the storage cabinet's weight, but not more than 57 lb (26 Kg), applied in any direction other than upwards, does not cause the storage cabinet to overbalance.

- Using two people, raise the library and visually align the inner and intermediate slide rails.
- Carefully insert the library's inner slide rails into the extended intermediate slide rails.
- Slide the library completely into the storage cabinet until the front panel touches it.
- Level the rear of the library and then fully tighten the rear rail screws.

WARNING: A storage cabinet might become unstable if more than one component is extended for any reason. Extend only one component at a time.

3 Opening the Doors

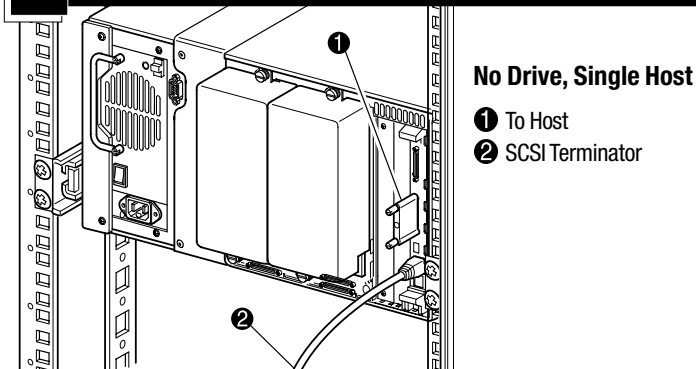


- Left Emergency Door Release
- Library Status LED
- Right Emergency Door Release

Remove the tape to open the doors for installation. Remove and discard the pull-tabs used to block the latch mechanism before closing the doors. Leave the doors open and proceed to Step 4.

IMPORTANT: The magazine doors have both an electrical release (via the GUI touch screen) and a manual release. It is recommended that the doors are always opened using the GUI touch screen. In an emergency, the doors can be manually opened by pushing a paper clip into the mechanical releases directly behind the front panel grill.

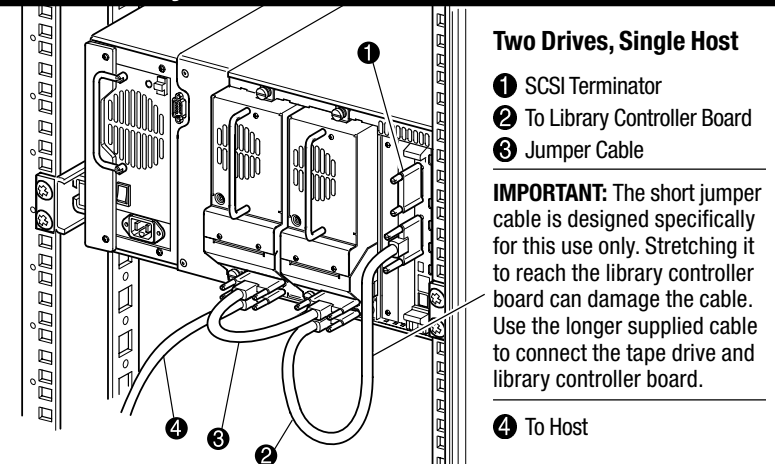
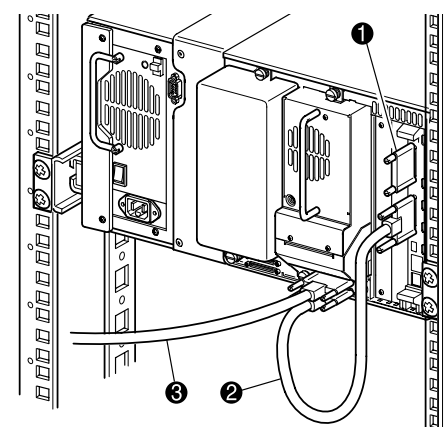
6 Cabling the Library



- No Drive, Single Host**
- To Host
 - SCSI Terminator

NOTE: Host cables are not supplied. Refer to the *Compaq StorageWorks MSL5026 Library User Guide* for complete configuration and operation information.

- One Drive, Single Host**
- SCSI Terminator
 - To Library Controller Board
 - To Host



- Two Drives, Single Host**
- SCSI Terminator
 - To Library Controller Board
 - Jumper Cable
 - To Host

IMPORTANT: The short jumper cable is designed specifically for this use only. Stretching it to reach the library controller board can damage the cable. Use the longer supplied cable to connect the tape drive and library controller board.

- Two Drives, Dual Host**
- SCSI Terminator
 - To Library Controller Board
 - To Host (Drive 0)
 - To Host (Drive 1)
 - SCSI Terminator

