

# **StorageWorks by Compaq**

---

Windows 2000 and Windows NT  
FCA2101 Host Bus Adapter User Guide

Part Number: AA-RR23C-TE

**Second Edition June 2002**

This guide describes how to install, configure, and use the diagnostic utilities for the FCA2101 host bus adapter for Windows platforms.

***COMPAQ***

© 2002 Compaq Information Technologies Group, L.P.

Compaq, the Compaq logo, and StorageWorks Registered in U. S. Patent and Trademark Office.

SANworks and StorageWorks are trademarks of Compaq Information Technologies Group, L.P. in the United States and other countries.

Microsoft, MS-DOS, Windows, and Windows NT are trademarks of Microsoft Corporation in the United States and other countries.

Intel and Pentium are trademarks of Intel Corporation in the United States and other countries.

All other product names mentioned herein may be trademarks of their respective companies.

Confidential computer software. Valid license from Compaq required for possession, use or copying. Consistent with FAR 12.211 and 12.212, Commercial Computer Software, Computer Software Documentation, and Technical Data for Commercial Items are licensed to the U.S. Government under vendor's standard commercial license.

Compaq shall not be liable for technical or editorial errors or omissions contained herein. The information in this document is provided "as is" without warranty of any kind and is subject to change without notice. The warranties for Compaq products are set forth in the express limited warranty statements accompanying such products. Nothing herein should be construed as constituting an additional warranty.

Compaq service tool software, including associated documentation, is the property of and contains confidential technology of Compaq Computer Corporation. Service customer is hereby licensed to use the software only for activities directly relating to the delivery of, and only during the term of, the applicable services delivered by Compaq or its authorized service provider. Customer may not modify or reverse engineer, remove, or transfer the software or make the software or any resultant diagnosis or system management data available to other parties without Compaq's or its authorized service provider's consent. Upon termination of the services, customer will, at Compaq's or its service provider's option, destroy or return the software and associated documentation in its possession.

Printed in the U.S.A.

Windows 2000 and Windows NT FCA2101 Host Bus Adapter User Guide  
Second Edition June 2002  
Part Number: AA-RR23C-TE

---

# Contents

## About this Guide

Intended Audience . . . . .	vii
Related Documentation . . . . .	vii
Document Conventions . . . . .	vii
Symbols in Text . . . . .	viii
Symbols on Equipment . . . . .	viii
Rack Stability . . . . .	x
Getting Help . . . . .	x
Compaq Technical Support . . . . .	x
Compaq Website . . . . .	xi
Compaq Authorized Reseller . . . . .	xi

## 1 Introduction

Overview . . . . .	1-1
Product Description . . . . .	1-1
Performance Specifications . . . . .	1-3
Boot BIOS Specifications . . . . .	1-3
Boot BIOS System Requirements . . . . .	1-4
Enabling Boot BIOS and External Boot . . . . .	1-4
Standards . . . . .	1-5
Agency Approvals . . . . .	1-5

## 2 Installation

Installation Overview . . . . .	2-1
Hardware Requirements . . . . .	2-1
Recording Reference Numbers . . . . .	2-2
Installing the HBA into a Computer . . . . .	2-2
Verifying the Installation . . . . .	2-3
Configuration Guidelines . . . . .	2-3

### 3 Installing the SCSI Miniport Driver

Introduction . . . . .	3-1
Windows NT Device Driver Installation . . . . .	3-1
Windows NT 4.0 System Requirements . . . . .	3-1
Installing the Windows NT SCSI Miniport Driver . . . . .	3-2
Removing the Windows NT SCSI Device Driver . . . . .	3-2
Windows 2000 Device Driver Installation . . . . .	3-3
Windows 2000 System Requirements . . . . .	3-3
Installing the Windows 2000 SCSI Miniport Driver . . . . .	3-3
Removing the Windows 2000 SCSI Device Driver . . . . .	3-4

### 4 Troubleshooting

Introduction . . . . .	4-1
POST Conditions and Results . . . . .	4-1
Using The Event Viewer . . . . .	4-2
Windows Miniport Event Log Codes . . . . .	4-2
SCSI Address Mapping . . . . .	4-7
Fabric Device Mapping . . . . .	4-7
Private Loop Device Mapping . . . . .	4-8

### 5 Diagnostic and Configuration Utilities

The DOS Diagnostic Utility . . . . .	5-1
Installing the DOS Diagnostic Utility . . . . .	2
Starting the DOS Diagnostic Utility . . . . .	5-2
Using the DOS Diagnostic Utility for Preliminary Testing . . . . .	5-3
DOS Diagnostic Utility Main Menu . . . . .	5-5
LightPulse Utility/NT Utility . . . . .	5-5
View HBA Parameters . . . . .	5-6
Modify Diagnostic Driver Parameters in the Windows Registry . . . . .	5-7
Modify the Driver Parameters . . . . .	5-7
Test Host Bus Adapters . . . . .	5-11
Modify Test Options . . . . .	5-11
Restart Host Bus Adapters . . . . .	5-11
Input/Output . . . . .	5-12
Maintenance . . . . .	5-12
Show Host Bus Adapter Info . . . . .	5-12
Quit the LightPulse Utility/NT Utility . . . . .	5-12

**A Regulatory Compliance Notices**

FCC Compliance Information Statement . . . . . A-1  
     Japanese Notice . . . . . A-2  
     Canadian Notice . . . . . A-2  
         Avis Canadien . . . . . A-2  
 Federal Communications Commission Notice . . . . . A-2  
     Japanese Notice . . . . . A-3  
     Canadian Notice . . . . . A-3  
         Avis Canadien . . . . . A-3

**Glossary**

**Index**

**Figures**

1-1 FCA-2101 Host Bus Adapter . . . . . 1-2

**Tables**

1 Text Conventions . . . . . vii  
 1-1 FCA-2101 Host Bus Adapter Diagram Description . . . . . 1-2  
 2-1 POST LED Indicators . . . . . 2-3  
 4-1 HBA POST LED States . . . . . 4-1  
 4-2 SCSI Port Error Log . . . . . 4-3  
 4-3 CmdStat Values. . . . . 4-5  
 4-4 Parameter Error Values Valid only when CmdStat=0x3 . . . . . 4-5  
 4-5 Current Private Loop Device Mapping . . . . . 4-8  
 5-1 DOS Diagnostic Utility Command Options . . . . . 5-2  
 5-2 DOS Diagnostic Utility Main Menu Options . . . . . 5-5  
 5-3 Drive Parameters. . . . . 5-8  
 5-4 AL-PA Addresses . . . . . 5-10



---

# About this Guide

This user guide provides information to help you:

- Install, configure, and use the diagnostic utilities for the FCA2101 host bus adapter for Windows platforms.
- Contact technical support for additional assistance

## Intended Audience

This book is intended for use by system administrators who are experienced with the following:

- Windows NT
- Windows 2000
- Host bus adapters

## Related Documentation

In addition to this guide, refer to the Release Notes for Windows 2000 and Windows NT 64-bit PCI to Fibre Channel Host Bus Adapter and FCA2101 Host Bus Adapter.

## Document Conventions

The conventions included in Table 1 apply in most cases.

**Table 1: Document Conventions**

<b>Element</b>	<b>Convention</b>
Key names, menu items, buttons, and dialog box titles	<b>Bold</b>
File names and application names	<i>Italics</i>

**Table 1: Document Conventions (Continued)**

Element	Convention
User input, command names, system responses (output and messages)	Monospace font COMMAND NAMES are uppercase unless they are case sensitive
Variables	<i>Monospace, italic font</i>
Website addresses	Sans serif font ( <a href="http://www.compaq.com">http://www.compaq.com</a> )

## Symbols in Text

These symbols may be found in the text of this guide. They have the following meanings.



**WARNING:** Text set off in this manner indicates that failure to follow directions in the warning could result in bodily harm or loss of life.

---



**CAUTION:** Text set off in this manner indicates that failure to follow directions could result in damage to equipment or data.

---

**IMPORTANT:** Text set off in this manner presents clarifying information or specific instructions.

**NOTE:** Text set off in this manner presents commentary, sidelights, or interesting points of information.

## Symbols on Equipment



**Any enclosed surface or area of the equipment marked with these symbols indicates the presence of electrical shock hazards. Enclosed area contains no operator serviceable parts.**

**WARNING:** To reduce the risk of injury from electrical shock hazards, do not open this enclosure.

---





Any RJ-45 receptacle marked with these symbols indicates a network interface connection.

**WARNING:** To reduce the risk of electrical shock, fire, or damage to the equipment, do not plug telephone or telecommunications connectors into this receptacle.

---



Any surface or area of the equipment marked with these symbols indicates the presence of a hot surface or hot component. Contact with this surface could result in injury.

**WARNING:** To reduce the risk of injury from a hot component, allow the surface to cool before touching.

---



Power supplies or systems marked with these symbols indicate the presence of multiple sources of power.

**WARNING:** To reduce the risk of injury from electrical shock, remove all power cords to completely disconnect power from the power supplies and systems.

---



Any product or assembly marked with these symbols indicates that the component exceeds the recommended weight for one individual to handle safely.

**WARNING:** To reduce the risk of personal injury or damage to the equipment, observe local occupational health and safety requirements and guidelines for manually handling material.

---

## Rack Stability



**WARNING:** To reduce the risk of personal injury or damage to the equipment, be sure that:

- The leveling jacks are extended to the floor.
  - The full weight of the rack rests on the leveling jacks.
  - In single rack installations, the stabilizing feet are attached to the rack.
  - In multiple rack installations, the racks are coupled.
  - Only one rack component is extended at any time. A rack may become unstable if more than one rack component is extended for any reason.
- 

## Getting Help

If you still have a question after reading this guide, contact service representatives or visit our website.

## Compaq Technical Support

In North America, call Compaq technical support at 1-800-OK-COMPAQ, available 24 hours a day, 7 days a week.

**NOTE:** For continuous quality improvement, calls may be recorded or monitored.

Outside North America, call Compaq technical support at the nearest location. Telephone numbers for worldwide technical support are listed on Compaq storage website at:

<http://www.compaq.com/storage>

Be sure to have the following information available before calling:

- Technical support registration number (if applicable)
- Product serial numbers
- Product model names and numbers
- Applicable error messages
- Operating system type and revision level
- Detailed, specific questions.

## **Compaq Website**

The Compaq website has the latest information on this product, as well as the latest drivers. Access the Compaq website at: <http://www.compaq.com/storage>. From this website, select the appropriate product or solution.

## **Compaq Authorized Reseller**

For the name of your nearest Compaq Authorized Reseller:

- In the United States, call 1-800-345-1518.
- In Canada, call 1-800-263-5868.
- Elsewhere, see the Compaq website for locations and telephone numbers.



---

# Introduction

## Overview

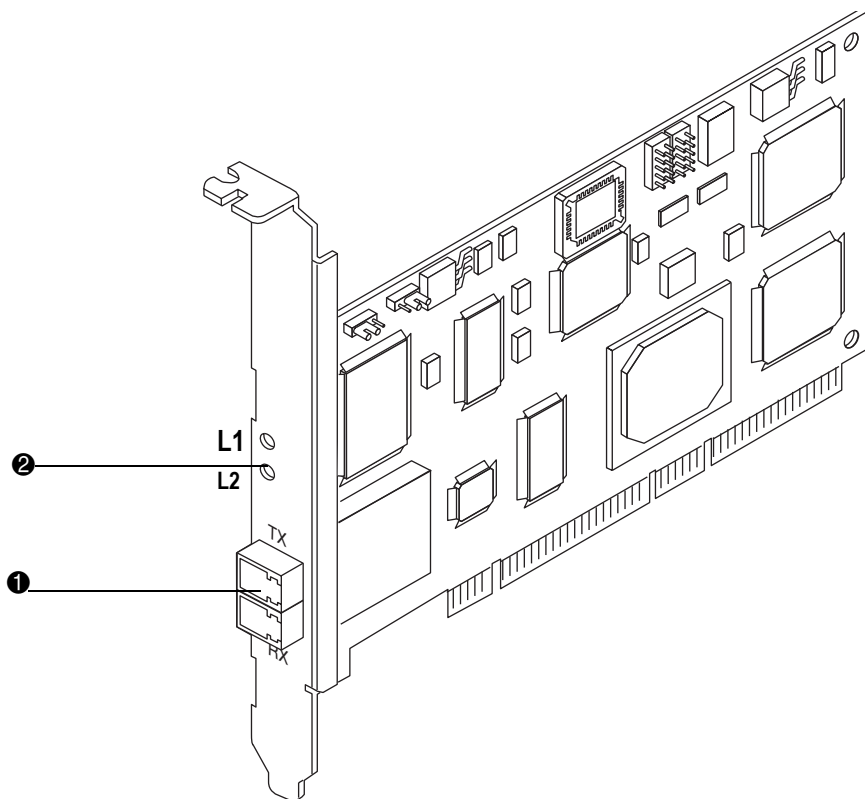
This introduction to the FCA2101 Host Bus Adapter (HBA) includes:

- [Product Description](#)
- [Performance Specifications](#)
- [Boot BIOS Specifications](#)
- [Standards](#)
- [Agency Approvals](#)

## Product Description

The HBA has the following characteristics:

- LC Fibre connector
- Embedded optical short-wave laser, multi-mode Fibre Channel interface.
- Supports 32-bit and 64-bit PCI transfers as a bus master during Direct Memory Access (DMA) transfers and 16-bit transfers as a slave during Processor Input/Output (PIO) operations.
- Designed using a single custom Application Specific Integrated Circuit (ASIC). The custom ASIC implements a very high performance, multi-class, multi-protocol Fibre Channel host adapter with a 64-bit PCI bus connection in a single chip.
- Supports a full-duplex Fibre Channel connection at full-link bandwidth providing a total throughput of greater than 4 Gb/sec.
- Controlled by a 233 MHz, 32-bit Intel StrongARM RISC processor.



SHR-2437A

**Figure 1–1: FCA2101 Host Bus Adapter**

**Table 1–1: FCA2101 Host Bus Adapter Diagram Description**

Figure Legend	Description
❶	Fibre Channel (LC) connectors.
❷	POST LEDs indicators
<b>Note:</b> See <a href="#">Table 2–1</a> and <a href="#">Table 4–1</a> for detailed descriptions.	

## Performance Specifications

The FCA2101 is a high-performance I/O solution for applications such as client/server configurations, database I/O environments, multimedia applications, and imaging technologies. Each of these requires high-level throughput with low-latency characteristics.

The FCA2101 is both ANSI Fibre Channel and PCI Local Bus Compliant and supports:

- Simultaneous full duplex 2 Gb/sec PCI bus speed data transfers of 400 MBytes/sec
- Full fabric support using F\_PORT and FL\_Port connections
- FC-Tape (FC-2) devices
- Point-to-point arbitrated-loop, and switch fabric FC connections
- Storage protocol
- Fibre Channel class 2 and 3
- Direct interface to fibre optical cables through an embedded LC type short-wave multi-mode connection

Collectively, these characteristics create a high-performance Fibre Channel HBA.

## Boot BIOS Specifications

Boot BIOS is a set of x86 instructions in the Host Bus Adapter (HBA) flash ROM that lets you designate a Fibre Channel attached drive as the boot drive. Boot BIOS works with the existing system BIOS on Intel Pentium class PCI system boards.

Boot BIOS supports:

- Multiple topologies: Fabric Point-to-Point and FC-AL Private Loop
- Multiple boot compliance
- Supports Enhanced Disk Driver Services (EDD) Version 3.0
- A maximum of four Fibre Channel HBAs per server, depending on which *StorageWorks* product you are using.
- Up to 256 LUNs, with up to eight LUN entries per target ID
- Detecting up to 99 devices per HBA
- Displaying a maximum of 16 devices during the boot process

## Boot BIOS System Requirements

- Intel Pentium Class computer, with system BIOS copyright 1995 or later
- MS-DOS 6.0 or higher
- Windows NT 4.0 or Windows 2000 installation media
- Installed HBA
- Media containing the SCSI Miniport driver
- DOS Diagnostic utility, X86DNLD

## Enabling Boot BIOS and External Boot

All HBAs have the BIOS firmware installed as a factory default. However, the BIOS functionality is not enabled.

In addition, you can optionally eliminate server-based, internal boot devices and boot from an external device to improve performance.

Refer to the BIOS Readme file on the HBA software kit as well as the documentation for your StorageWorks product for the following up-to-date information for enabling boot BIOS and external Boot:

- Enabling boot BIOS on an HBA
- Attaching HBAs in a supported configuration
- Enabling external boot for supported configurations

In addition, the Compaq website has the latest information on Boot BIOS upgrades. Access the Compaq website at: <http://www.compaq.com/storage>.



## Standards

The HBA conforms to the following standards:

- ANSI Fibre Channel FC-PH, Revision 4.3
- ANSI Fibre Channel FC-AL, Revision 4.5
- PCI Local Bus, Revisions 2.1 and 2.2
- Fibre Channel Class 1, 2, 3

## Agency Approvals

The HBA has the following agency approvals:

- Class 1 Laser Product per DHHS 21CFR (J) & EN60825
- UL recognized to UL1950
- CUR recognized to CSA22.2, No.950
- TUV certified to EN60950
- FCC Rules, Part 15, Class A
- Industry Canada, ICES-003, Class A
- EMC Directive 89/336/EEC (CE Mark)
  - EN55022, Class A
  - EN55024
- Australian EMC Framework (C-Tick Mark)
- AS/NZS 3548:1994, Class A
- VCCI, Class B



## Installation Overview

This chapter provides step-by-step instructions for installing the FCA2101 Host Bus Adapter (HBA) including:

- [Hardware Requirements](#)
- [Recording Reference Numbers](#)
- [Installing the HBA into a Computer](#)

This chapter also provides information on installation guidelines and supported configurations for the operating systems.

**IMPORTANT:** The HBA contains static-sensitive components. Comply with Electrostatic Discharge (ESD) procedures.

## Hardware Requirements

The system hardware requirements for installing the HBA include:

- A host computer that provides 3.3VDC bus power
- One open 32- or 64-bit PCI bus slot with either a 3.3 or a 5.0 VDC signaling interface
- Multimode fiber optic cable with LC connector, used with short-wave lasers

## Recording Reference Numbers

Each HBA ships with a unique address identifier that is stored in flash memory. Fibre Channel industry standards issue two unique identifiers: WorldWide Port Name (WWPN) and Node Name (NN), each of which is derived from the HBA's IEEE address. Combined, the WWPN and NN create the WorldWide Name (WWN) which is an 8-byte field that uniquely identifies an HBA on a FC circuit.

The WWN address and serial number are clearly marked on the HBA. Record the addresses on the lines below for future reference.

IEEE address: \_\_\_\_\_

Serial number: \_\_\_\_\_

## Installing the HBA into a Computer

Following is the procedure for installing the HBA into a computer.



**WARNING:**

**Be sure to observe the ESD precautions for this procedure.**

---

1. Make sure the computer is powered off.
2. Remove the screws on the computer cover, and then remove the cover.
3. Wearing a static wrist strap, remove the blank panel from an empty 32- or 64-bit PCI bus slot.
4. Insert the HBA into the empty PCI bus slot; press firmly until it is seated securely.
5. Secure the HBA mounting bracket to the computer panel with the panel screws.
6. Replace the computer cover and secure it using the previously removed screws.
7. Attach media:
  - a. Connect the fiber optic cable to the LC connector on the HBA.
  - b. Connect the other end of the cable to the Fibre Channel device.

**NOTE:** The HBA does not allow normal data transmission on an optical link unless it is connected to a similar or compatible laser product. That is, both products are multimode to multimode.

## Verifying the Installation

To verify the HBA is properly installed and is operating:

1. Turn on the computer.
2. At power up, observe the POST LED indicators on the HBA. The position of the POST LED indicators is defined in [Figure 1–1](#) and [Table 1–1](#) of this guide. The green LED indicates power functions and the amber LED signifies port activity. The amber LED blinks at all times during normal operation. [Table 2–1](#) lists normal LED indications.

**Table 2–1: Normal POST LED Indicators**

Amber LED (L1)	Green LED (L2)	State
Flashing (irregular)	Off	POST processing in progress
Slow blink (1 Hz)	On	Normal 1 Gb link rate
Flashing (irregular)	On	Normal 2 Gb link rate
Fast blink (4 Hz)	On	Normal (busy)
Off	Slow blink	Normal (link down or not yet started)

## Configuration Guidelines

The software for loading the driver also contains the default registry parameter settings that are loaded as part of the driver installation. Consult the following sources for any restriction and for information on supported configurations specific to your operating system and topology.

- Release Notes
- Compaq Computer Corporation Website at: <http://www.compaq.com/products/storage>



---

# Installing the SCSI Miniport Driver

## Introduction

This chapter contains step-by-step instructions for installing the Windows NT and Windows 2000 SCSI Miniport drivers.

System managers must be familiar with the operating system under which the PCI-to-Fibre Channel Host Bus Adapter (HBA) is to operate. System managers must also have access to standard system documentation.

The software kit that is included with the HBA contains the latest version of the HBA's files and drivers at the time of shipment. Software files are updated periodically and can be obtained from the Compaq website:

<http://www.compaq.com/storage>

**NOTE:** This chapter describes the steps for installing the device driver and for accessing Fibre Channel storage devices. For other configuration changes, see Chapter 5, Modify Diagnostic Driver Parameters in the Windows Registry.

## Windows NT Device Driver Installation

### Windows NT 4.0 System Requirements

Ensure that your system has Windows NT 4.0 and Service Pack 6A or higher.

**IMPORTANT:** The ideal device driver installation includes the possession of a valid operating system backup.

## Installing the Windows NT SCSI Miniport Driver

Use the following procedure to installing the SCSI device driver and registry parameters for the first time.

From the Windows NT desktop:

1. Click **Start > Settings > Control Panel**.
2. Double click the SCSI Adapters icon.
3. Select the Drivers tab.
4. Click **Add**.
5. Click **Have Disk** and select the location of the HBA kit.
6. Select the Fibre Channel SCSI driver and then click **OK**.
7. Click **Install** and continue to install the driver.
8. Reboot the computer to restart Windows NT.
9. Verify the driver installation from the Windows NT desktop:
  - a. Click **Start > Settings > Control Panel**.
  - b. Double click the SCSI Adapters icon.
  - c. Select the Drivers tab. Verify that the SCSI Miniport driver is present and started.
  - d. Select the Default tab. Verify that the HBA is present.
  - e. Click the plus symbol (+) to expand the adapter list. Verify that the connected storage device is listed.

## Removing the Windows NT SCSI Device Driver

To remove the device driver from the Windows NT desktop:

1. Click **Start > Settings > Control Panel**.
2. Double click the SCSI Adapters icon.
3. Select the Drivers tab.
4. Click **Remove**, and select **Yes** to confirm.
5. Click **OK**.
6. Reboot the computer to restart Windows NT.



## Windows 2000 Device Driver Installation

### Windows 2000 System Requirements

Ensure that your system meets these minimum requirements:

- Installed HBA
- Windows 2000 Miniport driver and registry parameter file from the software kit provided with the HBA
- Windows 2000 Service Pack 2 (recommended)
- *StorageWorks* Fibre Channel Storage subsystem (interconnect device and storage device)

### Installing the Windows 2000 SCSI Miniport Driver

This section contains the steps for installing the Windows 2000 SCSI Miniport device driver on a Windows 2000 server.

From the Windows 2000 desktop:

1. Click **Start > Settings > Control Panel**.
2. Double-click **Administrative Tools**.
3. Double-click **Computer Management**.
4. Click **Device Manager**.
5. Open the SCSI and RAID controllers item in the list.
6. Select the **Drivers tab**.
7. Select **Update Driver** and click **Next**.
8. Select **Display a list of known drivers for this device so that I can choose a specific driver** and click **Next**.
9. Click **Have Disk** and browse to the location of the HBA kit.
10. Select the *.inf* file for the HBA, click **Open**, click **OK**.
11. Select the HBA, click **Next**, click **Next**.
12. Click **Yes** to restart Windows 2000.

13. Verify the device driver installation:
  - a. Click **Start > Settings > Control Panel**.
  - b. Double click the System icon.
  - c. Click **Device Manager**.
  - d. Verify that the SCSI Miniport driver is present and started.

## **Removing the Windows 2000 SCSI Device Driver**

To remove the device driver from the Windows 2000 desktop:

1. Click **Start > Settings > Control Panel**.
2. Double click the System icon.
3. Click **Device Manager**.
4. Open the SCSI and RAID controllers item in the list.
5. Click **Remove**.
6. Select **Yes** to confirm.
7. Click **OK**.
8. Reboot the computer to restart Windows 2000.

---

## Troubleshooting

### Introduction

The Power-On Self Test (POST) and the Windows Event Viewer are troubleshooting utilities you can use for the FCA2101 Host Bus Adapter (HBA). This chapter explains the use of these utilities in the event of an HBA problem.

### POST Conditions and Results

[Table 4–1](#) lists the HBA LED states with descriptions of each. The position of the POST LED indicators is defined in [Figure 1–1](#) and [Table 1–1](#) of this guide.

If the LEDs indicate a failure during POST:

1. Make sure that the HBA is seated firmly in the PCI slot.
2. Verify that the fibre cable connection to the HBA is secure.

**Table 4–1: HBA POST LED States**

Amber LED (L1)	Green LED (L2)	Description
OFF	OFF	Wake-up failure (dead board)
ON	OFF	POST failure (dead board)
slow blink (1 Hz)	OFF	Wake-up failure (dead board)
fast blink (4 Hz)	OFF	Failure in POST (dead board)
flashing (irregular)	OFF	POST processing in progress
OFF	ON	Failure while functioning
ON	ON	Failure while functioning
slow blink (1 Hz)	ON	Normal - 1 Gb link rate
fast blink (4 Hz)	ON	Normal - 2 Gb link rate
OFF	blink (1 Hz)	Normal - link down or not yet started

## Using The Event Viewer

The Windows NT and Windows 2000 SCSI driver verifies the condition of the HBA POST. If there is a failure or a suspected failure, an error log entry is issued to the Windows Event log.

Following is the procedure for viewing the event log.

From the Main menu:

3. Double click or select the **Administrative Tools** program group.
4. Double click or select the **Event Viewer**. The display shows a list of discrete events specifying the source name:
  - For Windows NT, specify **LPGNDS35**
  - For Windows 2000, specify **CPQKGPSA**.
5. Double click any event with the source name.
6. Change the data view from **Bytes** (default) to **Words**.
7. Examine the entry at offset 0x10: if the low byte = En, match the low byte with the error found in Table 4-2, Windows NT SCSI Port Error Log. Tables 4-3 and 4-4 list CmdStat values and Parameter error values.

## Windows Miniport Event Log Codes

The Windows Miniport driver logs events and errors in the Windows Event log. Serious errors are always logged. Informational events are only logged if the registry parameter LogError=1 is used.

All Miniport logged events are issued with an Event ID of 11 (INTERNAL ADAPTER ERROR) but do not necessarily indicate an HBA error occurred. Byte offset 0x10 of the event is the driver event code. Byte offsets 0x11 to 0x13 contain event-specific information.

Table 4–2 describes the SCSI port error log codes

**Table 4–2: SCSI Port Error Log Codes**

<b>0x10 Offset</b>	<b>Explanation</b>	<b>0x11 to 0x13 Further Information</b>
0xC0	Invalid Link Speed Selection (Windows NT)	
0xD0	SNS_REQ (XMIT_SEQ failed)	0x11 = cmdstat, 12 = parm err
0xD1	SNS_RSP (RCV_SEQ failed)	0x11 = cmdstat, 12 = parm err
0xD3	RCV_ELS_REQ failed	0x11 = cmdstat, 12 = parm err
0xD4	XMT_ELS_REQ failed	0x11 = cmdstat, 12 = parm err
0xD5	Too many targets found (160+)	0x11 to 13 = D_DID that didn't fit
0xD6	SNS request time-out	0x11 to 13 no additional information
0xD7	Mailbox interrupt time-out	0x11 = mailbox word 0
0xD8	TPRLO requested when busy	0x11 = local req. state, 12 = discstate, 13 = mailbox word 0
0xD9	Link down time-out occurred	0x11 = local req. state, 12 = discstate, 13 = mailbox word 0
0xDA	Hard link down time-out occurred	0x11 = local req. state, 12 = discstate, 13 = mailbox word 0
0xE0	Node purged from configuration (Windows NT)	0x11 to 0x13 = D_ID of node purged
0xE1	Error interrupt occurred	Status register bytes 1-3 in event 11-13. E1 error indicates an HBA hardware failure, return HBA for repair.
0xE2	Mailbox cmd time-out	0x11 = command
0xE3	Mailbox rsp err	0x11 = command, 12-13 = mbxstatus
0xE4	HBA not ready after init	Status register bytes 1-3 in event 11-13
0xE5	Requested loop but link = PT-PT	
0xE6	Mailbox int. but cmd not complete	0x11 = MB cmd, 12-13 = mbxstatus
0xE7	SRB already queued to ring	
0xE8	RESTART failed	
0xE9	PORT BYPASS (LPB) received	
0xEB	Unknown IOCB cmd rsp	0x11 = 15:8 = cmd field

**Table 4-2: SCSI Port Error Log Codes (Continued)**

<b>0x10 Offset</b>	<b>Explanation</b>	<b>0x11 to 0x13 Further Information</b>
0xEC	Uncached extension alloc. Error	
0xED	Link down @ boot time (30 sec)	
0xEF	Too many interrupts at initial boot	
0xF0	Rcv ELS request (possible logout) (Windows NT)	0x11 = ELS type, 12-13 = X_ID
0xF1	LinkUp error; LP8 down, driver up	0x11 = parameter field, 12 = IOCB cmd
0xF2	LinkUp w/ illegal or corrupt RPI	0x11 = parameter field, 12 = IOCB cmd
0xF3	DeQueue ring->iotcmd.head	0x11 = caller ID
0xF4	HBA reset	0x11 = coded reason for reset: Bit 0 = IOCB requeue; bit 1 = readla retry Bit 2 = initlink retry; bit 3 = rstbus retry Bit 4 = mailbox time-out
0xF5	PCP_IXXX_CR IOCB rsp err	0x11 = cmdstat, 12 = parm err, 13 = ALPA
0xF6	PCP_IXXX_CR IOCB rsp err	0x11 = cmdstat, 12 = parm err, 13 = ALPA
0xF7	Ring hd !=0 && pendingsrb!=NULL	
0xF8	Invalid FCP_RSP	0x11 = pcpctrl, 12 = scsisat, 13 = len
0xF9	Two consec. time-outs, issue LIP	
0xFA	START_IO error	0x11 = errtype, 12 = srbstat, 13 = linkup
0xFB	ELS_REQ_CR IOCB rsp err	0x11 = cmdstat, 12 = parm err, 13 = ALPA
0xFC	ELS_REQ_CR IOCB rsp err	0x11 = cmdstat, 12 = parm err, 13 = ALPA
0xFE	FLOGI failed	0x11 = cmdstat, 12 = parm err
0xFF	SNS_PLOGI failed	0x11 = cmdstat, 12 = parm err

**Table 4–3: CmdStat Values**

<b>0x11 Offset</b>	<b>Explanation</b>	<b>Further Information</b>
0x1	IOSTAT_FCP_RSP_ERR	
0x2	IOSTAT_REMOTE_STOP	Remote sent an ABTS
0x3	IOSTAT_LOCAL_REJECT	Parameter field contains additional information
0x4	IOSTAT_NPORT_RJT	
0x5	IOSTAT_FABRIC_RJT	
0x6	IOSTAT_NPORT_BSY	
0x7	IOSTAT_FBRIC_BSY	
0x8	IOSTAT_INTERMED_RSP	
0x9	IOSTAT_LS_RJT	
0xA	IOSTAT_BA_RJT	

**Table 4–4: Parameter Error Values Valid only when CmdStat=0x3**

<b>0x12 Offset</b>	<b>Explanation</b>
0x00	IOERR_SUCCESS
0x01	IOERR_MISSING_CONTINUE
0x02	IOERR_SEQUENCE_TIMEOUT
0x03	IOERR_INTERNAL_ERROR
0x04	IOERR_INVALID_RPI
0x05	IOERR_NO_XRI
0x06	IOERR_ILLEGAL_COMMAND
0x07	IOERR_XCHG_DROPPED
0x08	IOERR_ILLEGAL_FIELD
0x09	IOERR_BAC_CONTINUE
0x0A	IOERR_TOO_MANY_BUFFERS
0x0B	IOERR_RCV_BUFFER_WAITING
0x0C	IOERR_NO_CONNECTION

**Table 4–4: Parameter Error Values Valid only when CmdStat=0x3 (Continued)**

<b>0x12 Offset</b>	<b>Explanation (Continued)</b>
0x0D	IOERR_TX_DMA_FAILED
0x0E	IOERR_RX_DMA_FAILED
0x0F	IOERR_ILLEGAL_FRAME
0x10	IOERR_EXTRA_DATA
0x11	IOERR_NO_RESOURCES
0x12	IOERR_RESERVED
0x13	IOERR_ILLEGAL_LENGTH
0x14	IOERR_UNSUPPORTED_FEATURE
0x15	IOERR_ABORT_IN_PROGRESS
0x16	IOERR_ABORT_REQUESTED
0x17	IOERR_RECEIVE_BUFFER_TIMEOUT
0x18	IOERR_LOOP_OPEN_FAILURE
0x19	IOERR_RING_RESET
0x1A	IOERR_LINK_DOWN
0x1B	IOERR_CORRUPTED_DATA
0x1C	IOERR_CORRUPTED_RPI
0x1D	IOERR_OUT_OF_ORDER
0x1E	IOERR_OUT_OF_ORDER_ACK
0x1F	IOERR_DUPLICATE_FRAME
0x20	IOERR_INVALID_ACK
0x21	IOERR_BAD_40BIT_ADDRESS
0x1A	IOERR_RESERVED
0x1B	IOERR_RESERVED
0x1C	IOERR_RESERVED
0x1D	IOERR_ABORT_MULTI_REQUESTED
0x1E	IOERR_RESERVED
0x1F	IOERR_RESERVED
0x20	IOERR_LINK_BUFFER_SHORTAGE
0x21	IOERR_RCV_XRIBUF_WAITING



**Table 4–4: Parameter Error Values Valid only when CmdStat=0x3 (Continued)**

<b>0x12 Offset</b>	<b>Explanation (Continued)</b>
0x22	IOERR_RESERVED
0x23	IOERR_RESERVED
0x24	IOERR_RESERVED
0x25	IOERR_ABORT_MULTI_REQUESTED
0x26	IOERR_RESERVED
0x27	IOERR_RESERVED
0x28	IOERR_LINK_BUFFER_SHORTAGE
0x29	IOERR_RCV_XRIBUF_WAITING

## SCSI Address Mapping

The driver emulates six SCSI buses per HBA to map all 126 possible AL\_PA to Target IDs.

The first bus is a dummy bus used to delay the initial inquiry scan until after discovery completes. The 31 target IDs per bus (Windows 2000 and Windows NT require the initiator to consume one of the IDs; the default is 31) are then mapped to either ascending or descending SEL\_IDs (based on the ScanDown registry parameter).

**NOTE:** The driver uses the first bus if the parameter MapBus0=1 is used.

### Fabric Device Mapping

In a fabric (switched) environment, devices are initially created in the order that they are returned from the Simple Name Server (SNS). Once created (at boot), the devices continue to be tracked based on:

- WWPN:HardAddress=0;MapNodeName=0
- NodeName:HardAddress=0;MapNodeName=1
- D\_ID:HardAddress=1; (MapNodeName=don't care)

## Private Loop Device Mapping

In a private loop environment (FC-AL, no switch), devices are initially created based on a fixed address ordering. Once created (at boot), the devices continue to be tracked based on:

```
-WWPN:HardAddress=0;MapNodeName=0
-NodeName:HardAddress=0;MapNodeName=1
-D_ID:HardAddress=1; (MapNodeName=don't care)
```

This section identifies the initial fixed mapping between the Windows NT bus/target/lun and a Fibre Channel native address (AL\_PA/SEL\_ID). There are two potential mappings based on a registry parameter [ScanDown=0 (driver default); use \*, ScanDown=1;].

The index into [Table 4-5](#) can be derived by:

```
#define TARGETS_PER_BUS 32
i = (Srb->PathId > 0) ? Srb->PathId-1 : 0; //Bus 0 = dummy bus nodeIdx =
((I * (TARGETS_PER_BUS-1)) + Srb->TargetId;w
```

**Table 4-5: Current Private Loop Device Mapping**

Bus # 0	Target# 0-31	Lun# 0-7	*AL_PA None	SEL_ID None	**AL_PA None	SEL_ID None
<b>IMPORTANT:</b> *	0	0-7	0x01	0x7D	0xEF	0x00
	1	0-7	0x02	0x7C	0xE8	0x01
	2	0-7	0x04	0x7B	0xE4	0x02
	3	0-7	0x08	0x7A	0xE2	0x03
	4	0-7	0x0F	0x79	0xE1	0x04
	5	0-7	0x10	0x78	0xE0	0x05
	6	0-7	0x17	0x77	0xDC	0x06
	7	0-7	0x18	0x76	0xDA	0x07
	8	0-7	0x1B	0x75	0xD9	0x08
	9	0-7	0x1D	0x74	0xD6	0x09

\*Use this translation if registry ScanDown = 0 (default).

\*\*Use this translation if registry ScanDown = 1.

\*\*\*If MapBus0= 1; then the device addressing starts with Bus#0, not Bus#1.

**Table 4–5: Current Private Loop Device Mapping (Continued)**

<b>Bus # 0</b>	<b>Target# 0-31</b>	<b>Lun# 0-7</b>	<b>*AL_PA None</b>	<b>SEL_ID None</b>	<b>**AL_PA None</b>	<b>SEL_ID None</b>
	10	0-7	0x1E	0x73	0xD5	0x0A
	11	0-7	0x1F	0x72	0xD4	0x0B
	12	0-7	0x23	0x71	0xD3	0x0C
	13	0-7	0x25	0x70	0xD2	0x0D
	14	0-7	0x26	0x6F	0xD1	0x0E
	15	0-7	0x27	0x6E	0xCE	0x0F
	16	0-7	0x29	0x6D	0xCD	0x10
	17	0-7	0x2A	0x6C	0xCC	0x11
	18	0-7	0x2B	0x6B	0xCB	0x12
	19	0-7	0x2C	0x6A	0xCA	0x13
	20	0-7	0x2D	0x69	0xC9	0x14
	21	0-7	0x2E	0x68	0xC7	0x15
	22	0-7	0x31	0x67	0xC6	0x16
	23	0-7	0x32	0x66	0xC5	0x17
	24	0-7	0x33	0x65	0xC3	0x18
	25	0-7	0x34	0x64	0xBC	0x19
	26	0-7	0x35	0x63	0xBA	0x1A
	27	0-7	0x36	0x62	0xB9	0x1B
	28	0-7	0x37	0x61	0xB6	0x1C
	29	0-7	0x3A	0x60	0xB5	0x1D
	30	0-7	0x3C	0x5F	0xB4	0x1E
	31	0-7	None	None	None	None

\*Use this translation if registry ScanDown = 0 (default).

\*\*Use this translation if registry ScanDown = 1.

\*\*\*If MapBus0= 1; then the device addressing starts with Bus#0, not Bus#1.

**Table 4-5: Current Private Loop Device Mapping (Continued)**

<b>Bus # 0</b>	<b>Target# 0-31</b>	<b>Lun# 0-7</b>	<b>*AL_PA None</b>	<b>SEL_ID None</b>	<b>**AL_PA None</b>	<b>SEL_ID None</b>
<b>IMPORTANT: ***</b>	0	0-7	0x43	0x5E	0xB3	0x1F
	1	0-7	0x45	0x5D	0xB2	0x20
	2	0-7	0x46	0x5C	0xB1	0x21
	3	0-7	0x47	0x5B	0xAE	0x22
	4	0-7	0x49	0x5A	0xAD	0x23
	5	0-7	0x4A	0x59	0xAC	0x24
	6	0-7	0x4B	0x58	0xAB	0x25
	7	0-7	0x4C	0x57	0xAA	0x26
	8	0-7	0x4D	0x56	0xA9	0x27
	9	0-7	0x4E	0x55	0xA7	0x28
	10	0-7	0x51	0x54	0xA6	0x29
	11	0-7	0x52	0x53	0xA5	0x2A
	12	0-7	0x53	0x52	0xA3	0x2B
	13	0-7	0x54	0x51	0x9F	0x2C
	14	0-7	0x55	0x50	0x9E	0x2D
	15	0-7	0x56	0x4F	0x9D	0x2E
	16	0-7	0x59	0x4E	0x9B	0x2F
	17	0-7	0x5A	0x4D	0x98	0x30
	18	0-7	0x5C	0x4C	0x97	0x31
	19	0-7	0x63	0x4B	0x90	0x32
	20	0-7	0x65	0x4A	0x8F	0x33
	21	0-7	0x66	0x49	0x88	0x34

\*Use this translation if registry ScanDown = 0 (default).

\*\*Use this translation if registry ScanDown = 1.

\*\*\*If MapBus0= 1; then the device addressing starts with Bus#0, not Bus#1.

**Table 4–5: Current Private Loop Device Mapping (Continued)**

<b>Bus # 0</b>	<b>Target# 0-31</b>	<b>Lun# 0-7</b>	<b>*AL_PA None</b>	<b>SEL_ID None</b>	<b>**AL_PA None</b>	<b>SEL_ID None</b>
	22	0-7	0x67	0x48	0x84	0x35
	23	0-7	0x69	0x47	0x82	0x36
	24	0-7	0x6A	0x46	0x81	0x37
	25	0-7	0x6B	0x45	0x80	0x38
	26	0-7	0x6C	0x44	0x7C	0x39
	27	0-7	0x6D	0x43	0x7A	0x3A
	28	0-7	0x6E	0x42	0x79	0x3B
	29	0-7	0x71	0x41	0x76	0x3C
	30	0-7	0x72	0x40	0x75	0x3D
	31	0-7	None	None	None	None
<b>IMPORTANT: ***</b>	0	0-7	0x73	0x3F	0x74	0x3E
	1	0-7	0x74	0x3E	0x73	0x3F
	2	0-7	0x75	0x3D	0x72	0x40
	3	0-7	0x76	0x3C	0x71	0x41
	4	0-7	0x79	0x3B	0x6E	0x42
	5	0-7	0x7A	0x3A	0x6D	0x43
	6	0-7	0x7C	0x39	0x6C	0x44
	7	0-7	0x80	0x38	0x6B	0x45
	8	0-7	0x81	0x37	0x6A	0x46
	9	0-7	0x82	0x36	0x69	0x47
	10	0-7	0x84	0x35	0x67	0x48
	11	0-7	0x88	0x34	0x66	0x49

\*Use this translation if registry ScanDown = 0 (default).

\*\*Use this translation if registry ScanDown = 1.

\*\*\*If MapBus0= 1; then the device addressing starts with Bus#0, not Bus#1.

**Table 4–5: Current Private Loop Device Mapping (Continued)**

<b>Bus # 0</b>	<b>Target# 0-31</b>	<b>Lun# 0-7</b>	<b>*AL_PA None</b>	<b>SEL_ID None</b>	<b>**AL_PA None</b>	<b>SEL_ID None</b>
	12	0-7	0x8F	0x33	0x65	0x4A
	13	0-7	0x90	0x32	0x63	0x4B
	14	0-7	0x97	0x31	0x5C	0x4C
	15	0-7	0x98	0x30	0x5A	0x4D
	16	0-7	0x9B	0x2F	0x59	0x4E
	17	0-7	0x9D	0x2E	0x56	0x4F
	18	0-7	0x9E	0x2D	0x55	0x50
	19	0-7	0x9F	0x2C	0x54	0x51
	20	0-7	0xA3	0x2B	0x53	0x52
	21	0-7	0xA5	0x2A	0x52	0x53
	22	0-7	0xA6	0x29	0x51	0x54
	23	0-7	0xA7	0x28	0x4E	0x55
	24	0-7	0xA9	0x27	0x4D	0x56
	25	0-7	0xAA	0x26	0x4C	0x57
	26	0-7	0xAB	0x25	0x4B	0x58
	27	0-7	0xAC	0x24	0x4A	0x59
	28	0-7	0xAD	0x23	0x49	0x5A
	29	0-7	0xAE	0x22	0x47	0x5B
	30	0-7	0xB1	0x21	0x46	0x5C
	31	0-7	None	None	None	None
<b>IMPORTANT: ***</b>	0	0-7	0xB2	0x20	0x45	0x5D
	1	0-7	0xB3	0x1F	0x43	0x5E

\*Use this translation if registry ScanDown = 0 (default).

\*\*Use this translation if registry ScanDown = 1.

\*\*\*If MapBus0= 1; then the device addressing starts with Bus#0, not Bus#1.

**Table 4–5: Current Private Loop Device Mapping (Continued)**

<b>Bus # 0</b>	<b>Target# 0-31</b>	<b>Lun# 0-7</b>	<b>*AL_PA None</b>	<b>SEL_ID None</b>	<b>**AL_PA None</b>	<b>SEL_ID None</b>
	2	0-7	0xB4	0x1E	0x3C	0x5F
	3	0-7	0xB5	0x1D	0x3A	0x60
	4	0-7	0xB6	0x1C	0x39	0x61
	5	0-7	0xB9	0x1B	0x36	0x62
	6	0-7	0xBA	0x1A	0x35	0x63
	7	0-7	0xBC	0x19	0x34	0x64
	8	0-7	0xC3	0x18	0x33	0x65
	9	0-7	0xC5	0x17	0x32	0x66
	10	0-7	0xC6	0x16	0x31	0x67
	11	0-7	0xC7	0x15	0x2E	0x68
	12	0-7	0xC9	0x14	0x2D	0x69
	13	0-7	0xCA	0x13	0x2C	0x6A
	14	0-7	0xCB	0x12	0x2B	0x6B
	15	0-7	0xCC	0x11	0x2A	0x6C
	16	0-7	0xCD	0x10	0x29	0x6D
	17	0-7	0xCE	0x0F	0x27	0x6E
	18	0-7	0xD1	0x0E	0x26	0x6F
	19	0-7	0xD2	0x0D	0x25	0x70
	20	0-7	0xD3	0x0C	0x23	0x71
	21	0-7	0xD4	0x0B	0x1F	0x72
	22	0-7	0xD5	0x0A	0x1E	0x73
	23	0-7	0xD6	0x09	0x1D	0x74
	24	0-7	0xD9	0x08	0x1B	0x75

\*Use this translation if registry ScanDown = 0 (default).

\*\*Use this translation if registry ScanDown = 1.

\*\*\*If MapBus0= 1; then the device addressing starts with Bus#0, not Bus#1.

**Table 4–5: Current Private Loop Device Mapping (Continued)**

<b>Bus # 0</b>	<b>Target# 0-31</b>	<b>Lun# 0-7</b>	<b>*AL_PA None</b>	<b>SEL_ID None</b>	<b>**AL_PA None</b>	<b>SEL_ID None</b>
	25	0-7	0xDA	0x07	0x18	0x76
	13	0-7	None	None	None	None
	14	0-7	None	None	None	None
	15	0-7	None	None	None	None
	16	0-7	None	None	None	None
	17	0-7	None	None	None	None
	18	0-7	None	None	None	None
	19	0-7	None	None	None	None
	20	0-7	None	None	None	None
	21	0-7	None	None	None	None
	22	0-7	None	None	None	None
	23	0-7	None	None	None	None
	24	0-7	None	None	None	None
	25	0-7	None	None	None	None
	26	0-7	None	None	None	None
	27	0-7	None	None	None	None
	28	0-7	None	None	None	None
	29	0-7	None	None	None	None
	30	0-7	None	None	None	None
	31	0-7	None	None	None	None
	26	0-7	0xDC	0x06	0x17	0x77
	27	0-7	0xE0	0x05	0x10	0x78
	28	0-7	0xE1	0x04	0x0F	0x79

\*Use this translation if registry ScanDown = 0 (default).

\*\*Use this translation if registry ScanDown = 1.

\*\*\*If MapBus0= 1; then the device addressing starts with Bus#0, not Bus#1.



**Table 4–5: Current Private Loop Device Mapping (Continued)**

<b>Bus # 0</b>	<b>Target# 0-31</b>	<b>Lun# 0-7</b>	<b>*AL_PA None</b>	<b>SEL_ID None</b>	<b>**AL_PA None</b>	<b>SEL_ID None</b>
	29	0-7	0xE2	0x03	0x08	0x7A
	30	0-7	0xE4	0x02	0x04	0x7B
	31	0-7	None	None	None	None
<b>IMPORTANT: ***</b>	0	0-7	0xE8	0x01	0x02	0x7C
	1	0-7	0xEF	0x00	0x01	0x7D
	2	0-7	None	None	None	None
	3	0-7	None	None	None	None
	4	0-7	None	None	None	None
	5	0-7	None	None	None	None
	6	0-7	None	None	None	None
	7	0-7	None	None	None	None
	8	0-7	None	None	None	None
	9	0-7	None	None	None	None
	10	0-7	None	None	None	None
	11	0-7	None	None	None	None
	12	0-7	None	None	None	None

\*Use this translation if registry ScanDown = 0 (default).

\*\*Use this translation if registry ScanDown = 1.

\*\*\*If MapBus0= 1; then the device addressing starts with Bus#0, not Bus#1.



---

## Diagnostic and Configuration Utilities

This chapter contains instructions for installing and using the following Windows NT and Windows 2000 utilities:

- DOS Diagnostic utility, *x86DNLD*, a DOS-based diagnostic and firmware download utility. This utility is used exclusively in standalone environments.
- LightPulse Utility/NT, *LP6DUTIL*, a Windows-based graphical user interface for updating firmware and Boot code. This utility is used in Software Solution kits.

**NOTE:** The diagnostic and firmware download utility is used to upgrade firmware on both FCA2101 Host Bus Adapter (HBA) environments.

### The DOS Diagnostic Utility

The supplied software kit contains the DOS Diagnostic and firmware download utility. Functionally, the utility program performs:

- Discovery and preliminary testing of the HBA in the system.
- Functional testing and operational checks on the HBA.
- The use of input and output files for automating the use of the diagnostic utility program.
- Updating HBA firmware.

**NOTE:** The diagnostic utility does not operate in the DOS shell under Windows.

## Installing the DOS Diagnostic Utility

You must load the software and start the diagnostic utility from the DOS command line. You can run the program directly from the supplied software kit or you can load onto your hard drive and run it from there.

**NOTE:** The diagnostic utility does not operate in the DOS shell under Windows.

To install the utility onto the hard drive:

1. Insert the supplied diskette into your system's diskette drive.
2. Make a directory and copy the files onto your hard drive, as follows:

```
C:\MD DIRNAME
C:\COPY A:\i386\*. *C:\DIR_NAME
C:\CD DIR_NAME
```

*DIR\_NAME* is the directory where the you install the diagnostic software.

## Starting the DOS Diagnostic Utility

To start the program without any options, enter:

```
X86DNLD.EXE
```

The options for X86DNLD are listed in [Table 5–1](#). The syntax for using options is:

```
A:\X86DNLD.EXE {l = infilename} {o = outfilename}
```

The following example shows a sample command:

```
C:\ X86DNLD.EXE o = PCIHA001
```

*PCIHA001* is the output filename.

**Table 5–1: DOS Diagnostic Utility Command Options**

Option	Description
Infilename	Script input file that is read and executed by the program.
Outfilename	Creates a file of keystrokes that is stored for later use (for example, as an input file).

**NOTE:** All message lines except user input begin with a number symbol (#) to indicate a comment line. Data entered by the user appears on a line by itself, not preceded by a #.

## Using the DOS Diagnostic Utility for Preliminary Testing

The diagnostic program performs preliminary analysis of the HBA before displaying the main menu. If no HBA is found, the program exits. Error messages are displayed on failure conditions.

During startup, the diagnostic and firmware download utility program:

1. Looks for installed PCI HBAs.
2. Executes preliminary testing on all installed HBAs. Tests include:
  - a. SLIM memory test
  - b. BIU register test
  - c. BIU configuration registers test
3. Reports pass or fail status messages.
4. Resets the HBAs.
5. Checks Power-On Self Test (POST) status of HBAs.
6. Reports revision levels of diagnostic and functional firmware.
7. Displays the resources of each HBA.

The following is a sample output of the DOS Diagnostic Utility Start-Up Procedure.

```
*****
WARNING: This utility may not work with the Expanded Memory
Manager

(EMM386). Please read LP6DUTIL documentation for further
details.
*****

LP6000 Host Adapters found in the system: 1

PRELIMINARY TESTING of Host Adapter 1

Host Adapter 1: PASS 0xA: SLIM Memory Tests
Host Adapter 1: PASS 0xA: BIU Registers Tests
Host Adapter 1: PASS 0xA: BIU Configuration Registers Tests
```

Adapter 1 PASSED PRELIMINARY TESTS

Resetting Host Adapter 1

Host Adapter 1: POST Done.

Host Adapter 1 is READY. Functional Firmware Loaded.

Diagnostic Firmware Version x.x

Functional Firmware Version x.x

Hit RETURN or ENTER key to continue

HOST ADAPTER 1 Resources Info

pci\_bus\_num = 0 pci\_dev\_num = 0xA0

slim\_base\_adr = 0x000D0000 reg\_mem\_base\_adr = 0x000D1000

reg\_io\_base\_adr = 0x0000FC00 IRQ = 0xB

NOTE: Enter 0 in 'Option:' prompt to display previous menu

NOTE: All values entered are hexadecimal

LP6DUTIL Main Menu Revision x.x

- 1 - Test Host Adapters
- 2 - Modify Test Options
- 3 - Restart Host Adapters
- 4 - Input/Output
- 5 - Maintenance
- 6 - Show Host Adapters Info
- 7 - Quit

Option:

## DOS Diagnostic Utility Main Menu

After the diagnostic and firmware download utility goes through its start-up procedure, the Main menu displays and handles user requests. If the program detects two or more HBAs in the system, you are prompted to select which HBAs is to be tested.

Table 5–1 lists the function of each option on the Main menu.

**Table 5–2: DOS Diagnosis Utility Main Menu Selections**

Menu Selection	Description
1 – Test Host Adapters	Runs host-based internal and external loopback tests.
2 – Modify Test Options	Enables you to disable or enable up to seven different tests, depending upon the cards installed (BIU-1 or BIU-2). Specify number of retries and actions to take if error occurs.
3 – Restart Host Adapters	Resets the HBA.
4 – Input/Output	Opens or closes input and output files.
5 – Maintenance	Updates firmware or non-volatile parameters in FLASH ROM. Displays program images stored in memory.
6 – Show Host Adapters Info	Displays configuration and status data used by Compaq Technical Support.
7 – Quit	Exits the program.

**NOTE:** Enter zero (0) at the Option prompt to display the previous menu. All values are in reported hexadecimal.

The menu options and descriptions are described in the following sections.

## LightPulse Utility/NT Utility

The LightPulse Utility/NT utility (lputilnt) is a FCA2101 Host Bus Adapter (HBA) utility that lets you:

- View HBA parameters
- Modify driver parameters in the Windows registry

These parameters have been set by the Original Equipment Manufacturer (OEM) setup file provided in the software kit. The Fibre Channel setup file, run as part of the platform kit configuration, will also modify them. The resulting parameter setting has been modified to provide the optimal setting for the supported configurations.

You can run the utility from the CD or copy and run it from your local hard drive.

**NOTE:** You must install and connect the SCSI Miniport driver to at least one drive before lputilnt can operate properly. You can alternately set the registry parameter Simulate Device= to 1.

## View HBA Parameters

From the LightPulse Utility/NT Main menu screen:

1. Select an HBA.
2. On the menu bar, click on an HBA or pull down the category list.
3. Select an option to view HBA parameters.

There are eight options available, each displaying a different group of HBA parameters:

- Adapter Revision Levels—View information about the chipset and firmware revision levels of the selected HBA.
  - Loop Map—View a list of the members of the selected HBA loop map.
  - PCI Registers—View the values of the PCI configuration registers for the selected HBA.
  - Configuration Data—View information about the data in each of the configuration regions in the flash ROM of the selected HBA.
  - Drive Parameters—View information about device driver parameters that are maintained in the Windows/NT registry.
  - Link Statistics—View statistics about the arbitrated loop of the selected HBA.
  - Status and Counters—View status and counters for bytes, frames, sequences, exchanges, and so on.
4. Expand the category list and select **Firmware Maintenance**.
  5. Click **Download**.
  6. Locate the new upgrade file.
  7. Click **Open**.
- NOTE:** The new software is transferred to the HBA.
8. Expand the category list and select **Adapter Revision Levels**.
  9. Verify that the new firmware revision is shown.



## Modify Diagnostic Driver Parameters in the Windows Registry

This screen provides information about device driver parameters that are maintained in the Windows registry and allows you to modify those values.



**CAUTION:** Do not modify the registry parameters unless specifically instructed to do so by support personnel. Modifying registry parameters can result in an unstable SAN.

---

The data display lists all available device driver parameters, along with the current, minimum, maximum, and default values. Parameters that have their value specified in the system registry are denoted with either a **G** or an **L** in the left-most column of the screen. The **G** indicates that the value is set in the global registry entry, which applies to all HBAs that do not have a local registry entry. The **L** indicates that the value is set in a registry entry specific to the selected HBA, which overrides the value settings in the global entry.

## Modify the Driver Parameters

From the LightPulse Utility/NT Main menu screen:

1. Select the desired HBA.
2. Expand the category list and select **Driver Parameters**.
3. Double click a **Parameter Name**.
4. Enter the desired value in the **New Value** field.
5. Select the **Permanent** or **Global** checkbox:
  - Select **Permanent** to cause the new value to be written to the system registry. If Permanent is not selected, the parameter reverts to its default value when the driver is reset.
  - Select **Global** to change the global registry entry. Otherwise, the change is made to the HBA-specific registry entry.

Table 5–3 lists the current parameters that you can set.

**Table 5–3: Drive Parameters**

Parameter	Description
AbortStatus = 0xn	Values from 0x00 – 0xFF. Controls NT SRB error status for general Abort conditions. Default = SRB_STATUS_BUS_RESET (0x0E) which will not cause the current NT class driver to throttle down I/O performance after four of these errors have been received (on a per-LUN basis)
ALTOV = n	Values are in milliseconds from 1 to 15. Default = 15.
ARBTOV = n	Values are milliseconds from 500 to 10000. Default = 1000. Represents FC_AL arbitration time-out prior to LIP.
Class = n	Values from 0-2. Default = 2. Controls which Fibre Channel Class will be used: 0 = Class 1, 1 = Class 2, 2 = Class 3.
EDTOV = n	Values are in milliseconds from 500 to 10000. Default = 1000. Represents error detect time-out value prior to LIP.
EnableDPC = n	Values 0 or 1. Default = 0. 0 = process I/O completion at interrupt level, 1 = process at DPC level.
FrameSizeMSB = n	Values from 1-8. Default = 8. Controls the upper byte of the receive FrameSize if issued in PLOGI. This lets the FrameSize to be constrained on 256 byte increments from 256 (1) – 2048 (8).
HardALPA = 0xn	Values from 0x01 – 0xEF. Default = 0x01 lets the HBA use a hard assigned loop address. NOTE: Only valid ALPAs can be used (see Table 6-2).
LinkTimeOut = n	Values are in seconds from 1 – 500. Default = 60. Controls the time-out at which link no longer busy requests but issues SELECTION_TIMEOUT error status.
LogErrors = n	Values 0 or 1. Default = 0. 0 = don't log general HBA/driver errors. 1 = use Event Log to general errors.
NodeTimeOut = n	Values are in seconds from 1–255. Default = 10. Controls the time-out at which a formerly logged-in node will issue SELECTION_TIMEOUT error status to an I/O request.
QueueDepth = n	Values from 1–64 (decimal). Default = 64. Requests per LUN/Target (see Queue Target parameter).

**Table 5-3: Drive Parameters (Continued)**

QueueTarget = n	Values 0 or 1 (decimal). Default = 0. 0 = QueueDepth applies on a per LUN basis; 1 = QueueDepth applies on a Target basis.
RATOV = n	Values are in seconds from 2 to 120. Default = 2. This value is the ELS request time-out.
ReadCheck = n	Values 0 or 1. Default = 1. 0 = do not enable byte counting for read operations. 1 = enable byte counting. If bytes counted are less than requested transfer count, issue underrun.
ResetFF = n	Values 0 or 1. Default = 1. 0 = ResetBus translates to LIP (F7). 1 = ResetBus translates to LIP (FF). Used for WolfPack to force reservations to be freed when ResetBus issued. Only meaningful for FC_AL topology and Seagate native FC hard drives.
ResetTPRLO = n	Values 0 or 1. Default = 1. 0 = ResetBus translates to LIP (). 1 = ResetBus translates to ThirdPartyProcessLogout + LIP (). Used for WolfPack to force reservations to be freed when ResetBus is issued.
RetryInterval = n	Values are in seconds from 2-255. Default = 45. Used for time-out interval if RetryIoTimeOut = 1. Must be shorter than Class driver TimeOutInterval.
RetryIoTimeOut = n	Values 0 or 1. Default = 1. 1 = lets an HBA to time-out I/O prior to port driver's time-out which causes a LIP/Link Reset.
RTTOV = n	Values are in milliseconds from 100 to 511. Default = 256. Represents time-out between phases of Off-line to On-line protocol.
ScanDown = n	Values 0 or 1. Default = 0. 0 = Lowest AL_PA = Lowest physical disk (ascending AL_PA order). 1 = Highest AL_PA = Lowest Physical Disk (ascending SEL_ID order).
SilFlags = n	Values from 0-2. Default = 0. Controls which driver interface to use. 0 = automode; attempt SLI-2 first. If that fails, uses SLI-1. 1 = always use SLI-1. 2 = always use SLI-2.
SimulateDevice = n	Values 0 or 1. Default = 0. 0 = do not create a "dummy" disk device. 1 = create a dummy disk to force the driver to load even if no disk devices are present at boot time.

**Table 5-3: Drive Parameters (Continued)**

SnsALL = n	Values 0 or 1. Default = 1. Controls which N_Ports are queried from the NameServer. 0 = SCSI FCP only. 1 = All N_Ports.
Topology = n	Values 0 or 1. Default = 0. 0 = FC_AL (loop), 1 = PT-PT Fabric. When set to 1, FLOGI, SCR/RSCN and NameServer queries are employed.
TrafficCop = n	Values 0 or 1. Default = 0. 1 = enable FC-AL loop master to run unfair and break potential arbitration problems by sending frames to itself. 0 = run fair all the time.

[Table 5-4](#) lists the Arbitrated Loop Physical Addresses you can set.

**Table 5-4: AL-PA Addresses**

0x01	0x02	0x04	0x08	0x0F	0x10	0x17	0x18	0x1B
0x1D	0x1E	0x1F	0x23	0x25	0x26	0x27	0x29	0x2A
0x2B	0x2C	0x2D	0x2E	0x31	0x32	0x33	0x34	0x35
0x36	0x39	0x3A	0x3C	0x43	0x45	0x46	0x47	0x49
0x4A	0x4b	0x4C	0x4D	0x4D	0x51	0x52	0x53	0x54
0x55	0x56	0x59	0x5A	0x5C	0x63	0x65	0x66	0x67
0x69	0x6A	0x6B	0x6C	0x6D	0x6E	0x71	0x72	0x73
0x74	0x75	0x75	0x79	0x7A	0x7C	0x80	0x81	0x82
0x84	0x88	0x8F	0x90	0x97	0x98	0x9B	0x9D	0x9E
0x9F	0xA3	0xA5	0xA6	0xA7	0xA9	0xAA	0xAB	0xAC
0xAD	0xAE	0xB1	0xB2	0xB3	0xB4	0xB5	0xB6	0xB9
0xBA	0xBC	0xC3	0xC5	0xC6	0xC7	0xC9	0xCA	0xCB
0xCC	0xCD	0xCE	0xD1	0xD2	0xD3	0xD4	0xD5	0xD5
0xD9	0xDA	0xDC	0xE0	0xE1	0xE2	0xE4	0xE8	0xEF

## Test Host Bus Adapters

Select this option to run host-based internal and external loopback tests on the HBAs.

From the LightPulse Utility/NT Main menu screen:

1. Select **Test Host Bus Adapters**.
2. Enable or disable the external loopback tests:
  - a. Enable the external loopback tests by selecting **1=Y**. The default is disabled, **0=No**. Internal BIU PCI loopback and other loopback tests are run automatically.
  - b. Select **0=No** if you do not have an external loopback connector.

**NOTE:** Testing the HBA while it is connected to an arbitrated loop is not recommended.

## Modify Test Options

Use this option to specify the number of passes on one or more of these tests: PCI loopback, internal loopback, external Loopback, or all three.

From the LightPulse Utility/NT Main menu screen:

1. Select **Test**.
2. Select the following data for the PCI loopback, Internal loopback, External Loopback tests:
  - a. The number of passes. The default is 0x50. 0=infinity
  - b. The action to take upon encountering errors. Select one of the following:
    - 0 = stop (default)
    - 1 = repeat
    - 2 = ignore

## Restart Host Bus Adapters

Select this option to reset the HBA. When a restart HBA occurs, the HBA performs POST testing and reloads functional firmware.

## **Input/Output**

Select this option to open or close input and output files. The contents of the Input file are interpreted and executed by the program. The output file contains a log of all messages. Note that nesting of input files is not supported.

## **Maintenance**

Select this option to update firmware or non-volatile parameters in the flash ROM. This option also displays program images (load list) stored in the HBA memory. You must reboot the HBA for the new firmware to take effect.

## **Show Host Bus Adapter Info**

Select this option to display HBA data in these areas:

- BIU PCI Configuration Parameters
- Host Bus Adapter Info and Status
- Adapter Revisions
- Display Configuration Data
- Service Parameters
- Status/Counters Info
- Link Status
- Link Attention

## **Quit the LightPulse Utility/NT Utility**

Select this option to exit the program. A warning message indicates if any errors were encountered during the session.

---

## Regulatory Compliance Notices

### FCC Compliance Information Statement

This device complies with Part 15 of the FCC Rules. Operation is subject to the following two conditions: (1) This device may not cause harmful interference, and (2) this device must accept any interference received, including interference that may cause undesired operation.

This equipment has been tested and found to comply with the limits for a Class A digital device, pursuant to part 15 of the FCC Rules. These limits are designed to provide reasonable protection against harmful interference when the equipment is operated in a commercial environment. This equipment generates, uses, and can radiate radio frequency energy and, if not installed and used in accordance with the instruction manual, may cause harmful interference to radio communications. Operation of this equipment in a residential area is likely to cause harmful interference in which case the user will be required to correct the interference at his own expense. Shielded cables must be used between this equipment and attached peripheral devices. The reader is cautioned that changes or modifications made to the equipment not expressly approved could void the user's authority to operate this equipment.

Compaq Computer Corporation  
P. O. Box 692000, Mail Stop 530113  
Houston, Texas 77269-2000

Or call 1-800-652-6672 (1-800-OK COMPAQ). (For continuous quality improvement, calls may be recorded or monitored.)

To identify the device, refer to the part, series or model number found on the product.

The above statement applies to products marketed in the USA.

## Japanese Notice

に基づくクラスA情報技術装置です。この装置を家庭環境で使用すると電波妨害を引き起こすことがあります。この場合には使用者が適切な対策を講ずるよう要求されることがあります。

## Canadian Notice

This Class A digital apparatus meets all requirements of the Canadian Interference-Causing Equipment Regulations.

## Avis Canadien

Cet appareil numérique de la classe A respecte toutes les exigences du Règlement sur le matériel brouilleur du Canada.

## Federal Communications Commission Notice

This equipment has been tested and found to comply with the limits for a Class B digital device, pursuant to Part 15 of the FCC rules. These limits are designed to provide reasonable protection against harmful interference in a residential installation. Any modifications to this device - unless expressly approved by the manufacturer - can void the user's authority to operate this equipment under part 15 of the FCC rules. Operation is subject to the following two conditions: (1) This device may not cause harmful interference and (2) This device must accept any interference that may cause undesirable operation.

This equipment generates, uses, and can radiate radio frequency energy and, if not installed and used in accordance with the instructions, may cause harmful interference to radio communications. However, there is no guarantee that interference will not occur in a particular installation.



If this equipment does cause harmful interference to radio or television reception, which can be determined by turning the equipment off and on, the user is encouraged to try to correct the interference by one or more of the following measures:

- Reorient or relocate the receiving antenna.
- Increase the separation between the equipment and receiver.
- Connect the equipment into an outlet on a circuit different from that to which the receiver is connected.
- Consult the dealer or an experienced radio/TV technician for help.

**NOTE:** Additional information on the need to interconnect the device with shielded (data) cables or the need for special devices, such as ferrite beads on cables, is required if such means of interference suppression was used in the qualification test for the device. This information will vary from device to device and needs to be obtained from the EMC group or product manager.

## Japanese Notice

この装置は、情報処理装置等電波障害自主規制協議会（VCCI）の基準に基づくクラスB情報技術装置です。この装置は、家庭環境で使用することを目的としていますが、この装置がラジオやテレビジョン受信機に近接して使用されると、受信障害を引き起こすことがあります。

取扱説明書に従って正しい取り扱いをして下さい。

## Canadian Notice

This Class B digital apparatus meets all requirements of the Canadian Interference-Causing Equipment Regulations.

## Avis Canadien

Cet appareil numérique de la classe B respecte toutes les exigences du Règlement sur le matériel brouilleur du Canada.



---

# Glossary

This glossary defines terms used in this guide or related to this product and is not a comprehensive glossary of computer terms.

## **AL-PA**

Arbitrated Loop Physical Address. The address of a Fibre Channel node in an arbitrated loop.

## **Arbitration**

The process of selecting one respondent from a collection of several candidates that request service at the same time.

## **b/s (or bps)**

Bits per second. The number of energy pulses passing a given point in a transmission medium in one second; raw transmission speed before encoding.

## **Bandwidth**

A measure of the information-carrying capacity of an optical fiber, normalized to a unit of MHz/km. This term is used to specify capacity of multi-mode fibers only. (For single-mode fibers, use dispersion). The difference between the highest and lowest frequencies in a specific range of frequencies.

## **Baud**

A unit of signaling speed equal to the number of signal intervals per second, which might or might not be equal to the data rate in bits per second. The encoded bit rate per second.

## **BIOS**

Basic Input/Output system. Software coded into the computer chips to accomplish various tasks.

### **Boot BIOS**

Software coded into the chips on the HBA. A special program used to boot and control the computer.

### **Broadband**

In data transmission, it denotes transmission facilities capable of handling frequencies greater than those required for high-grade voice communications. The higher frequency allows the carrying of several simultaneous channels.

### **Cladding**

The dielectric material surrounding the core of an electrical fiber or material surrounding the core of a fiber optic cable. It usually refers to diameter, often 125  $\mu$ m, measured in microns.

### **Connector**

A mechanical device used to align and join two fibers together to provide a means for attaching and decoupling it to a transmitter, receiver, or another fiber.

### **Core**

The central region of an optical fiber through which light is transmitted.

### **Custom Device Module (CDM)**

A CDM is the driver component in the NetWare Peripheral Architecture used to drive specific storage devices attached to the HBA. See also NetWare Peripheral Architecture.

### **Data Rate**

The maximum number of bits of information that can be transmitted per second in a data transmission link. It is typically expressed as Megabits per second (Mbps).

### **Device Driver**

A software program that enables a personal computer to communicate with hard drives, CD-ROM drives, printers, and other peripherals. Device drivers are stored on a hard drive and are loaded into memory at boot up.

### **Duplex Cable**

A two-fiber cable suitable for duplex transmission or transmissions in two directions.

### **Duplex Transmission**

Transmission in both directions, either one direction at a time (half duplex) or both directions simultaneously (full duplex).

### **Fabric**

A Fibre Channel interconnection method that allows multiple simultaneous and concurrent data transfers between multiple hosts and/or storage devices connected with a multi-port hub.

### **FC-AL**

Abbreviation for Fibre Channel Arbitrated Loop, an interconnection scheme that supports from 1 to 126 ports on a loop in a shared medium topology.

### **FCP**

Fibre Channel Protocol.

### **FDDI**

Fibre Distributed Data Interface. A network based on the use of optical-fiber cable to transmit data at 100Mbit/sec.

### **Fiber**

Thin filament of glass. An optical waveguide consisting of a core and cladding, which is capable of carrying information in the form of light. Fibre is also a general term used to cover all physical media types supported by Fibre Channel, such as optical fiber, twisted pair, and coaxial cable.

### **Fiber Optics**

Light transmission through optical fibers for communication or signaling.

### **Fibre Channel**

A high-speed, serial, bi-directional, topology independent, multi-protocol, highly scaleable interconnection between computers, peripherals, and networks.

### **Gb/s**

Gigabits per second or 1 billion bits per second. A reference to processing speed.

### **GB/s**

Gigabytes per second or 1,073,741,824 bytes per second. A reference to processing speed.

### **GLM**

Gigabit Link Module. A transmitter and receiver that provides high-speed serial links, enabling continuous throughput in each direction simultaneously.

### **Host Adapter Module (HAM)**

A HAM is the driver component used to drive specific HBA hardware in the NetWare Peripheral Architecture (NPA).

### **Interrupt Request (IRQ)**

Network boards are supplied with default settings for the IRQ, I/O port and base memory address. An IRQ is a signal protocol used by hardware devices, such as printers and modems, to let the computer know that they need some attention. When an IRQ is invoked, the CPU puts its other work "on hold" and services the needs of the interrupting device.

### **Kilometer**

1,000 meters or 3,281 feet. The kilometer is a unit of measurement commonly used in fiber optics. To convert kilometers to miles, multiply the number of kilometers by .62 to achieve the number of miles. To convert miles to kilometers, multiply the number of miles by 1.61 to achieve the number in kilometers.

### **Laser**

Light Amplification by Stimulated Emission of Radiation. A device that produces coherent light with a narrow range of wavelengths.

### **Latency**

Delay in transmission; can be caused by arbitration time prior to winning control of the network.

### **Light**

In the laser and optical communication fields, the portion of the electromagnetic spectrum that can be handled by the basic optical techniques used for the visible spectrum extending from the near ultraviolet region of approximately 0.3 micron, through the visible region, and into the mid-infrared region of about 30 microns.

### **Light Emitting Diode (LED)**

A device used in a transmitter to convert information from electrical to optical form. It typically has a large spectral width.

### **Lightwaves**

Electromagnetic waves in the region of optical frequencies. The term “light” was originally restricted to radiation visible to the human eye, with wavelengths between 400 and 700 nanometers (nm). However, it has become customary to refer to radiation in the spectral regions adjacent to visible light (in the near infrared from 700 to about 2000 nm) as “light” to emphasize the physical and technical characteristics.

### **Link**

A fiber optic cable with connectors attached to a transmitter (source) and receiver (detector).

### **Longwave**

Refers to length of the wave or frequency in the spectrum of light. 780 nm is the operating range of short wave lasers, while 1300 nm describes the range of long wave lasers.

### **LUN**

Logical Unit Number. A three-bit identifier for a Logical Unit. The maximum number of LUNs per SCSI target is 8, numbered LUN0 through LUN7.

### **Mb/s**

Megabits per second or 1,000 bits per second. A reference to processing speed.

### **MB/s**

Megabytes per second or 1,000 bytes per second. A reference to processing speed.

### **Media Manager (MM)**

A database built into NetWare that keeps track of all peripheral storage devices and media attached to NetWare servers, and allows applications to gain access and get information. The Media Manager receives application I/O requests and converts them to messages compatible with the NPA architecture.

### **Micron (mm)**

Another term for micrometer. One millionth of a meter.  $10^{-6}$  meter.

## **Mode**

A term used to describe a light path through a fiber, as in multi-mode or single-mode.

## **Multi-initiators**

Two different Fibre Channel HBAs in one arbitrated loop sharing the same storage devices, but not communicating with each other.

## **Multi-Mode Fiber**

An optical waveguide in which light travels in multiple modes. Typical core/cladding sizes (measured in microns) are 50/125, 62.5/125, and 100/140.

## **Multiplexing**

The process by which two or more signals are transmitted over a single communications channel.

## **NetWare Peripheral Architecture (NWPA)**

Network architecture that provides a broader and more reliable driver support for third-party host adapters and storage devices. The NPWA separates NetWare driver support into two components: a Host Adapter Module (HAM), and a Custom Device Module (CDM). See also Custom Device Module and Host Adapter Module.

## **nm**

Nanometer. A unit of measurement equal to one billionth of a meter.  $10^{-9}$  meter.

## **Non-OFC**

Non-Open Fiber Control. GLMs that do not contain OFC control but still guarantee laser emission levels to be below Class 1.

## **OFC**

Open Fiber Control. A power monitoring/control system which continuously monitors the optical fiber link between two ports and prevents any laser emission from exceeding Class 1 levels in the event of a break anywhere in the path.



### **Optical Waveguide**

Dielectric waveguide with a core consisting of optically transparent material or low attenuation (usually silica glass) and with cladding consisting of optically transparent material of lower refractive index than that of the core. It is used for the transmission of signals with lightwaves and is frequently referred to as fiber.

### **PCI Bus #**

An internal Peripheral Connect Interface bus number in a computer. PCI Bus # is set by the computer system's BIOS, and in most cases, the number is zero.

### **PCI Device #**

PCI slot number in a computer.

### **Point-To-Point (PTP)**

A connection established between two specific locations, as between two buildings.

### **Protocol**

A data transmission convention encompassing timing, control, formatting, and data representation.

### **SCSI**

Small Computer Systems Interface.

### **SelectID**

Used to configure Seagate drives. A matrix for relating ALPA (hex) numbers to SelectID (hex) numbers.

### **Shortwave**

Refers to length of the wave or frequency in the spectrum of light. 780 nm is the operating range of short wave lasers, while 1300nm describes the range of long wave lasers.

### **Simplex Cable**

A term sometimes used for a single-fiber cable.

**Simplex Transmission**

Transmission in one direction only.

**Single-Mode Fiber**

An optical waveguide (or fiber) with a small core diameter in which only a single mode is capable of propagation. This type of fiber is particularly suitable for wideband transmission over large distances, since its bandwidth is limited only by chromatic dispersion.

**Topology**

The logical and/or physical arrangement of stations on a network.

**Transducer**

A device for converting energy from one form to another, such as optical energy to electrical energy.

**ULP**

Upper Level Protocol.

**Waveguide**

Structure that guides electromagnetic waves along its length. An optical fiber is an optical waveguide.

**Wavelength**

The distance between two crests of an electromagnetic waveform.

## A

agency approvals 1–5  
AI\_PA addresses, table of 5–10  
audience vii  
authorized reseller, Compaq xi

## B

Boot BIOS  
    definition 1–3  
    system requirements 1–4

## C

CmdStat values 4–5  
Compaq  
    authorized reseller xi  
    technical support x  
    website xi, 2–3  
configuration  
    guidelines for HBAs 2–3  
    utilities 5–1  
conventions, document vii

## D

diagnostic utilities 5–1  
document conventions vii  
documentation, related vii  
DOS Diagnostic utility  
    installing 5–2  
    main menu 5–5  
    overview 5–1  
    preliminary analysis with 5–3  
driver parameters, table of 5–8

## E

equipment symbols viii

## F

fabric device mapping 4–7  
FCA2101 host bus adapter *See* HBAs  
FCC Compliance notice A–1  
Federal Communications Commission notice  
    A–2  
flash ROM, updating parameters in 5–12

## G

getting help x  
    Compaq technical support x  
    Compaq website xi

## H

HBAs  
    agency approvals 1–5  
    configuration guidelines 2–3  
    illustration of 1–2  
    installation overview 2–1  
    installation procedure 2–2  
    installation requirements 2–1  
    performance specifications 1–3  
    POST LED results 4–1  
    product description 1–1  
    recording reference numbers 2–2  
    restarting 5–11  
    standards 1–5  
    verifying installation 2–3  
    viewing parameters 5–6  
help, obtaining x

## I

### installation

- DOS Diagnostic utility 5-2
- HBA overview 2-1
- HBA requirements 2-1
- HBAs 2-2
- verifying HBA installation 2-3

## L

### LightPulse Utility/NT

- input and output files 5-12
- modifying driver parameters 5-7, 5-11
- modifying test options 5-11
- overview 5-5
- restarting HBAs 5-11
- showing HBA information 5-12
- updating flash ROM parameters 5-12
- viewing HBA parameters 5-6

lputilnt, *See* LightPulse Utility/NT 5-5

## M

### mapping

- fabric device 4-7
- private loop device 4-8
- SCSI address 4-7

## P

- parameter error values 4-5
- performance specifications 1-3
- POST LED indicators, verifying HBA installation 2-3
- private loop device mapping, table of 4-8

## R

- rack stability, warning x
- reference numbers 2-2
- regulatory compliance notices
  - FCC Compliance A-1
  - Federal Communications Commission A-2
- related documentation vii

## S

- SCSI address mapping 4-7
- SCSI Miniport drivers
  - event log codes 4-2
  - installing on Windows 2000 3-3
  - installing on Windows NT 3-2
  - overview 3-1
  - removing from Windows 2000 3-4
  - removing from Windows NT 3-2
  - Windows 2000 system requirements 3-3
  - Windows NT system requirements 3-1
- showing HBA information 5-12
- standards, for HBAs 1-5
- symbols
  - in text viii
  - on equipment viii
- system requirements
  - Boot BIOS 1-4
  - HBA installation 2-1

## T

- technical support, Compaq x
- test options, modifying 5-11
- text symbols viii
- troubleshooting
  - CmdStat values 4-5
  - fabric device mapping 4-7
  - parameter error values 4-5
  - private loop device mapping 4-8
  - SCSI address mapping 4-7
  - SCSI Miniport driver event logs 4-2
  - using POST LED results 4-1
  - Windows Event Viewer 4-2

## U

### utilities

- DOS Diagnostic 5-1
- LightPulse Utility/NT 5-5
- overview 5-1

**V**

viewing HBA parameters 5–6

**W**

warning

    rack stability x

websites

    Compaq storage xi

    Compaq technical support x

Windows 2000

    SCSI Miniport drivers 3–1

        installing 3–3

    removing 3–4

    system requirements 3–3

Windows Event log 4–2

Windows Event Viewer 4–2

Windows NT

    SCSI Miniport drivers 3–1

        installing 3–2

        removing 3–2

        system requirements 3–1

**X**

x86DNLD, *See* DOS Diagnostic utility 5–1

