

***DIGITAL Clusters for
Windows NT and
Microsoft Cluster Server
Support for RAID Array
7000 and Enterprise
Storage Array 10000***



Application Note

EK-SMA15-AN. A02

Visit Our Web Site for the Latest Information

Check our web for the latest drivers, technical tips, and documentation. We can be found in the technical area of our web page:

<http://www.storage.digital.com/>

The RAID Array 7000 and Enterprise Storage Array 10000 subsystems are supported in cluster configurations using Digital Clusters For Windows NT 3.51 or 4.0 and Microsoft Cluster Server software with Intel and Alpha based Servers. The subsystem may be installed in one of two basic cluster configurations as illustrated in the figures below.

Both configurations require ordering additional hardware and software components. These components are used along with those included in the HSZ70 Solutions Software kit to configure an End-Of-Bus or Mid-Bus cluster configuration. Please refer to the "HSZ70 Solutions Software For WNT" kit for RAID Array platform kit ordering information.

The figures illustrate Intel-based configurations using the Adaptec 2944UW. Substitute the Digital KZPSA when configuring AlphaServer platforms.

End-Of-Bus Cluster Configuration

End-Of-Bus is the simplest way to configure the subsystem and requires ordering the following hardware and software in addition to the basic RAID Array Platform kits:

- Two **SWXA3-BD** (Adaptec **2944UW** UltraWide SCSI Host Bus Adapter) for Intel-based Servers or two **KZPSA** SCSI Host Bus Adapters for Digital Alpha-based Servers.
- One **SWDKT-DD** (StorageWorks RAID Array Cluster Enabling Kit)
- One **QB-53V9A-SA** for Digital Clusters For Windows NT Software or use Microsoft Windows NT 4.0 Enterprise Edition for Microsoft Cluster Server Software

The cluster is configured using the following hardware components:

- **Two BN21W-0B High Density (HD) 68-Pin Y-CABLE ASSEMBLY**
Included with SWDKT-DD Cluster Enabling Kit
- **One BN21K-05 HD 68-Pin w/90 degree-to-straight CABLE ASSEMBLY**
Included with SWDKT-DD Cluster Enabling Kit
- **One H879-AA SCSI-3 Term - 68 pin Male**
Included with SWDKT-DD Cluster Enabling Kit
- **One BN37A-05 ULTRA 68VHD 5M CABLE ASSBLY**
Included with RAID Array 7K/10K Platform Kit
- **One BN38E-0B ULTRA-TO-HD68 CABLE ASSBLY**
Included with RAID Array 7K/10K Platform Kit
- **One H8863-AA ULTRA Term**
Included with RAID Array 7K/10K Platform Kit

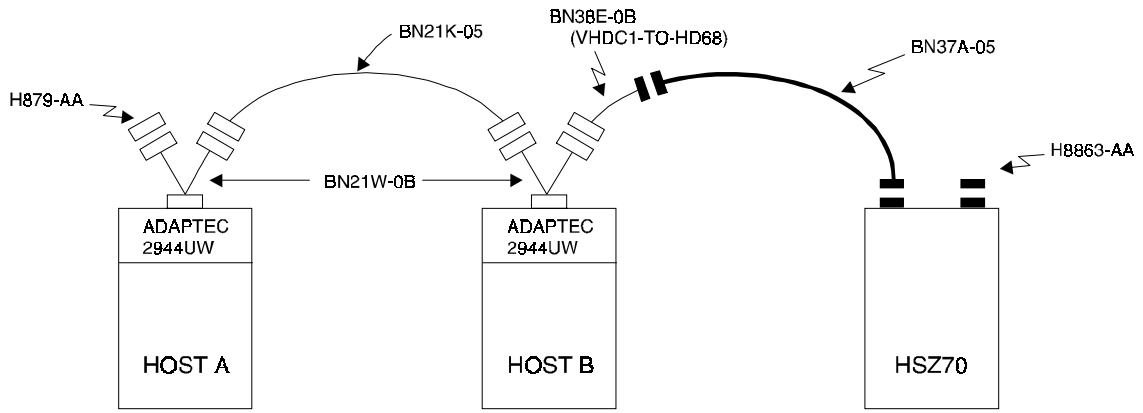
For an end-of-bus configuration, connect the cable components together as shown in upper part of the diagram on page 2.

MID-BUS Cluster Configuration

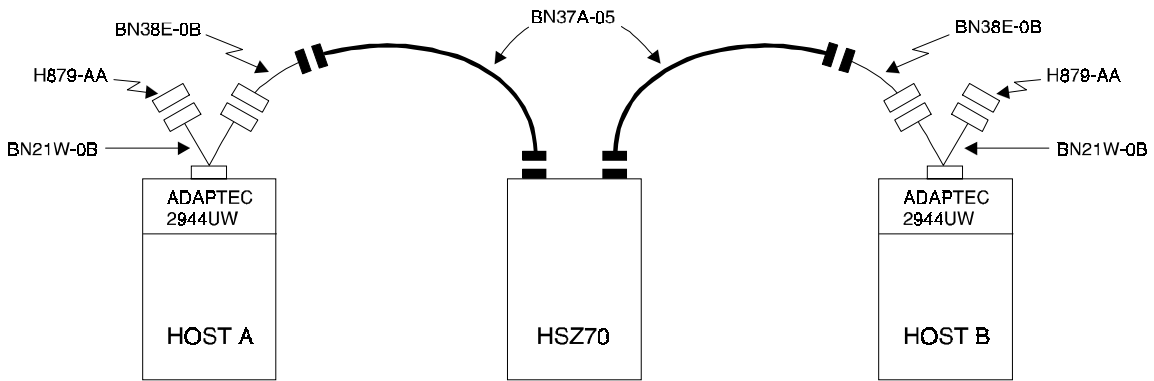
Mid-Bus configuration will require ordering the following hardware components in addition to those listed for the **End-Of-Bus** installation:

- **One BN38E-0B ULTRA-TO-HD68 CABLE ASSBLY**
- **One BN37A-05 ULTRA 68VHD 5M CABLE ASSBLY**
- **One H879-AA SCSI-3 Term - 68 pin Male**

For an mid-bus configuration, connect the cable components together as shown in the lower part of the diagram below.



RAID ARRAY 7000
END-OF-BUS CLUSTER CONFIGURATION



RAID ARRAY 7000
MID-BUS CLUSTER CONFIGURATION

NOTE: DARK BLACK INDICATES ULTRA COMPONENTS
LIGHT INDICATES HD68 SCSI COMPONENTS

7KCLST-01