

This guide describes the layout and configuration of SW800 storage data center cabinets with the fan tray assembly installed. These procedures are applicable to SW800 storage data center cabinets in which any of the following are installed:

- StorageWorks controllers
- StorageWorks shelves
- StorageWorks tape drives

### WARNING

Remove ac power from cabinet components prior to working in the cabinet interior. Failure to do so may result in personnel injury as a result of electric shock.

Prior to performing any procedure in this guide, remove ac power from cabinet components. If the cabinet is in operation, spin down all disk drives and halt all tape drives in the cabinet. Switch the circuit on the front panel of each CDU to the O (OFF) position.

## Installation Preparation

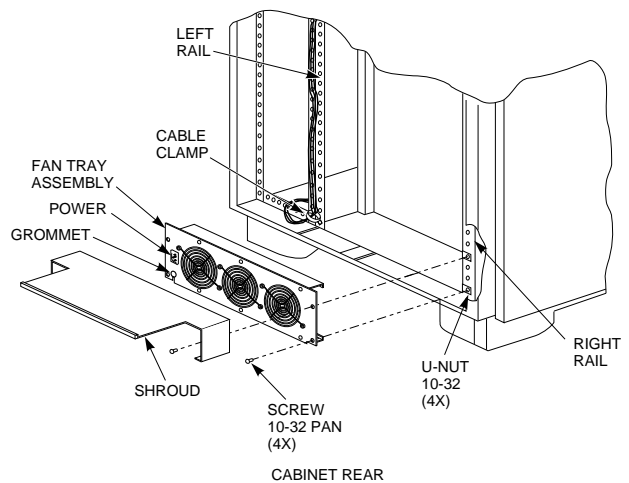
The fan tray assembly in these cabinets provides additional cooling for 7200 rpm disk drives.

Prior to installing the fan tray assembly, please check the fan tray assembly kit for all required parts (see Table 1 and Figure 1).

**Table 1 Fan Tray Assembly Installation Kit**

Part List	Qty
Assembly, Fan Tray, 115V 60Hz (SW8XF-AA) or Assembly, Fan Tray, 230V 50Hz (SW8XF-AB)	1
Assembly, Fan Tray Shroud	1
Screw, SEMS 10-32	4
Nut, U-Nut 10-32	4

**Figure 1 Fan Tray Assembly**



CXO-4579A-MC

## Cabinet Preparation

If there is no shelf mounted in storage position S7, proceed to the Fan Tray Assembly Installation. If there is a shelf mounted in storage position S7, proceed as follows:

1. Disconnect the power cable from S7.
2. Remove the two stop brackets.
3. Remove the shelf from storage position S7.
4. Remove the shelf mounting brackets and hardware from storage position S7.
5. You may either store the removed shelf and brackets, or if available, install them in another storage position using the removed hardware (refer to your Cabinet Configuration for the proper loading sequence).

## Fan Tray Assembly Installation

The fan tray is attached to the SW800 cabinet rails with four screws and U-nuts. To install the fan tray assembly in the SW800 cabinet refer to Figure 1 and proceed as follows:

1. Remove the 10-32 screw (attached to the cable clamp), from the bottom hole in the left cabinet rail.
2. Place the fan tray assembly against the cabinet rails in the unused shelf position (align with the bottom holes).
3. Use the fan tray assembly as a template to mark the three U-nut locations on the cabinet rails.
4. Install the three 10-32 U-nuts on the cabinet rails in the marked locations (use the existing U-nut in the bottom hole for the fourth mounting point).
5. Mount the fan tray assembly loosely to the cabinet rails using two 10-32 screws in the bottom rail holes.
6. Align the fan tray shroud assembly with top two U-nuts on the rails.
7. Use two 10-32 screws to mount the fan tray assembly and the fan tray shroud to the cabinet rails.
8. Tighten the four 10-32 screws.
9. Connect the power plug to the connector on the front of the fan tray assembly (see Figure 2 Fan Tray Assembly Installed).

## Cabinet Configuration

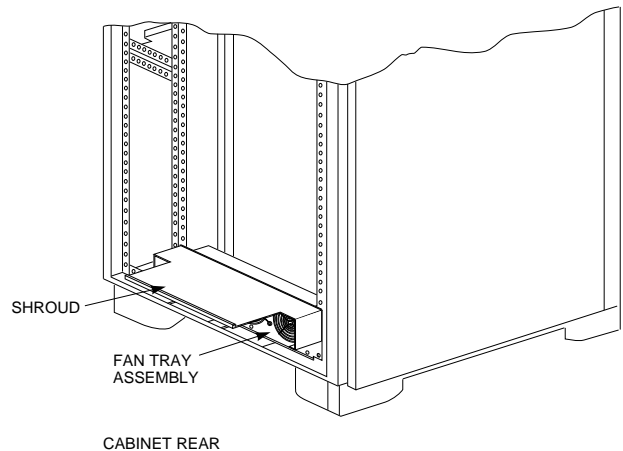
### WARNING

Failure to install cabinet components in the proper order could result in cabinet instability, injury to personnel, and damage to equipment.

The SW800 cabinet operates with 8- or 16-bit shelves. The order of installation of these shelves is predetermined to allow for cabinet loading, cable length factors, and cooling. Figure 3, through Figure 8 shows the shelf layout and configuration of the cabinet, front and rear.

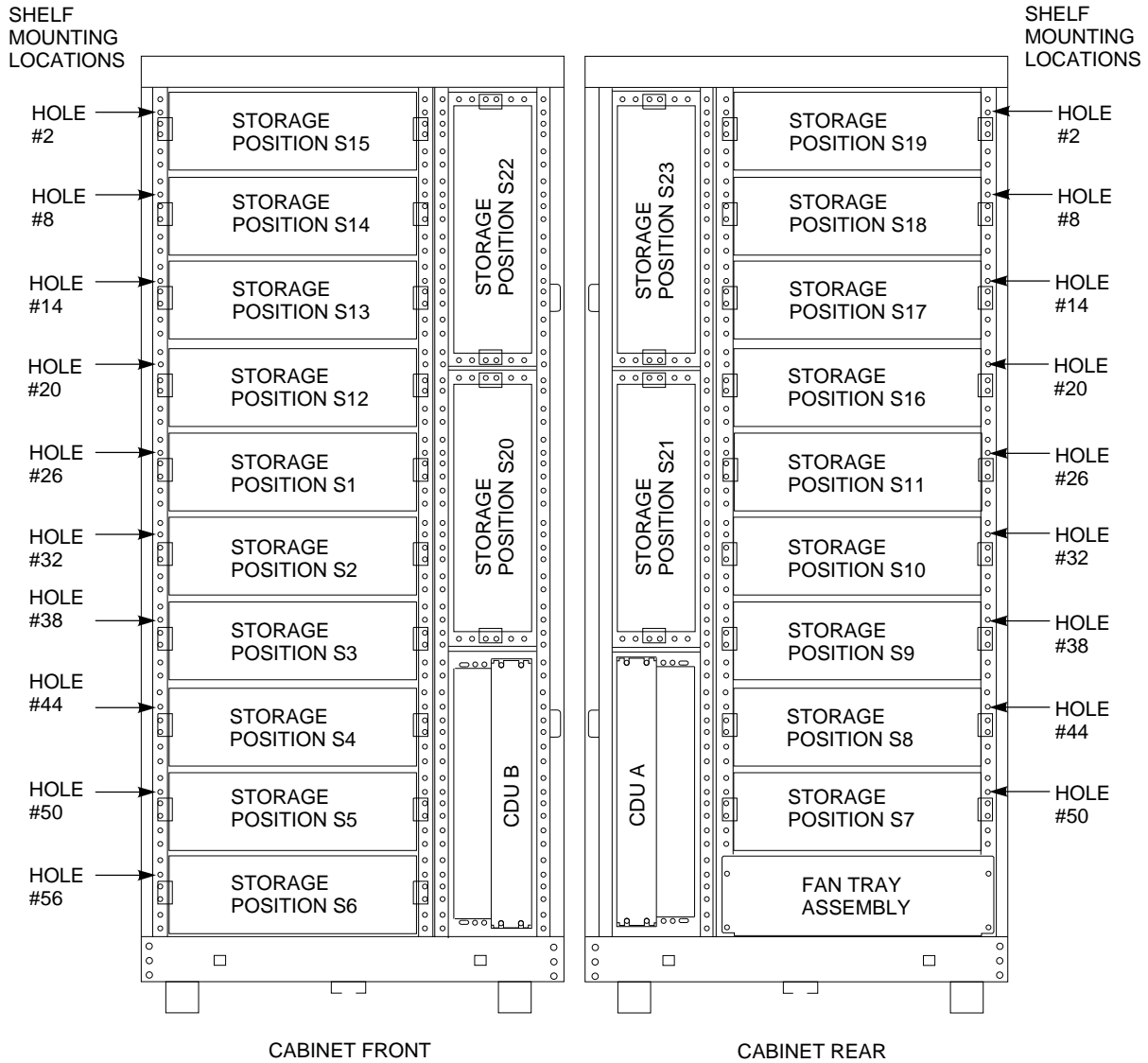
To prevent cabinet instability, and improper cooling, all components must be installed in the order shown by the position numbers in the illustrations.

**Figure 2 Fan Tray Assembly Installed**



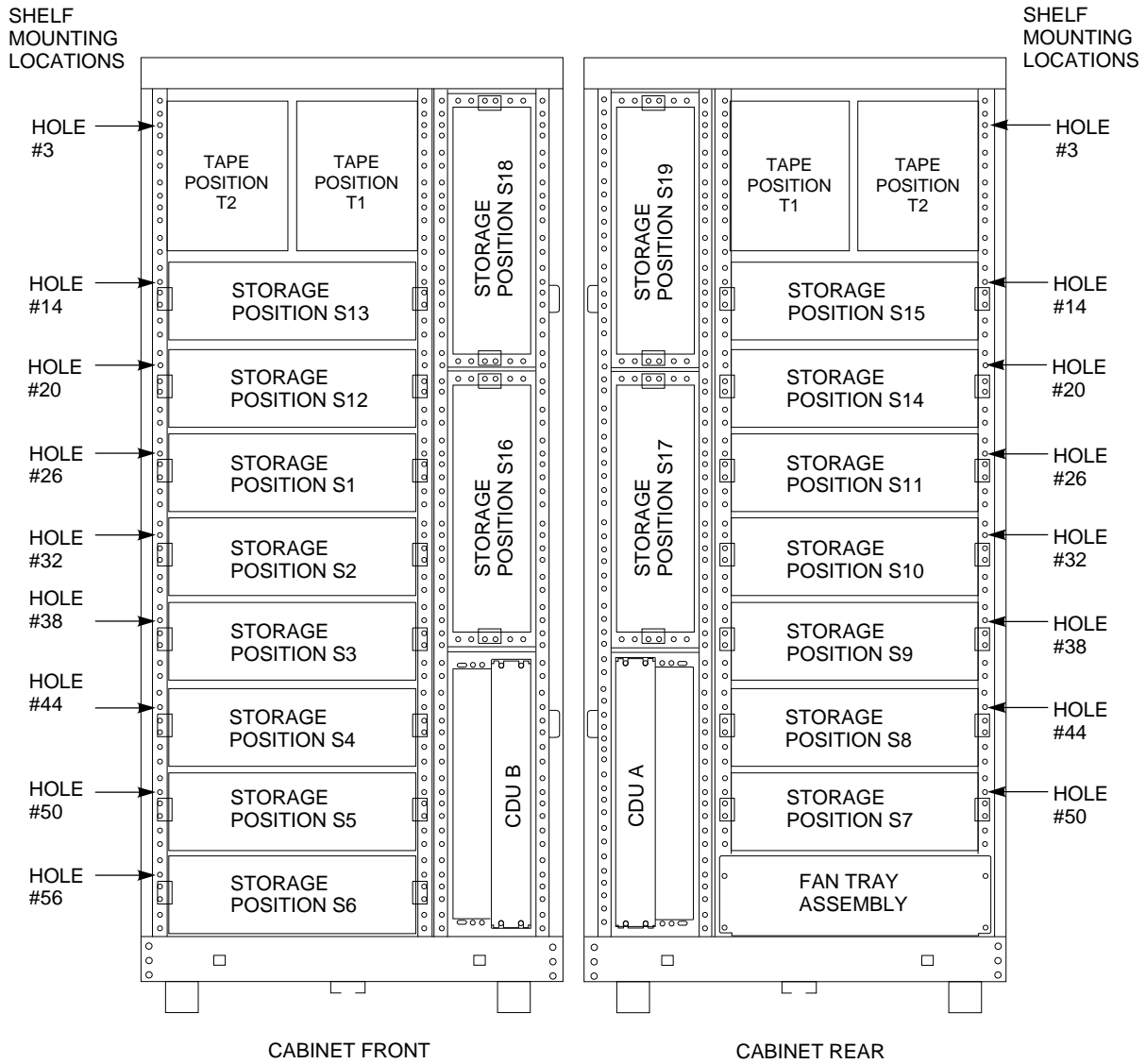
CXO-4578A-MC

**Figure 3 SW800 Storage-Only Cabinet Shelf Locations Without Tape Drives**



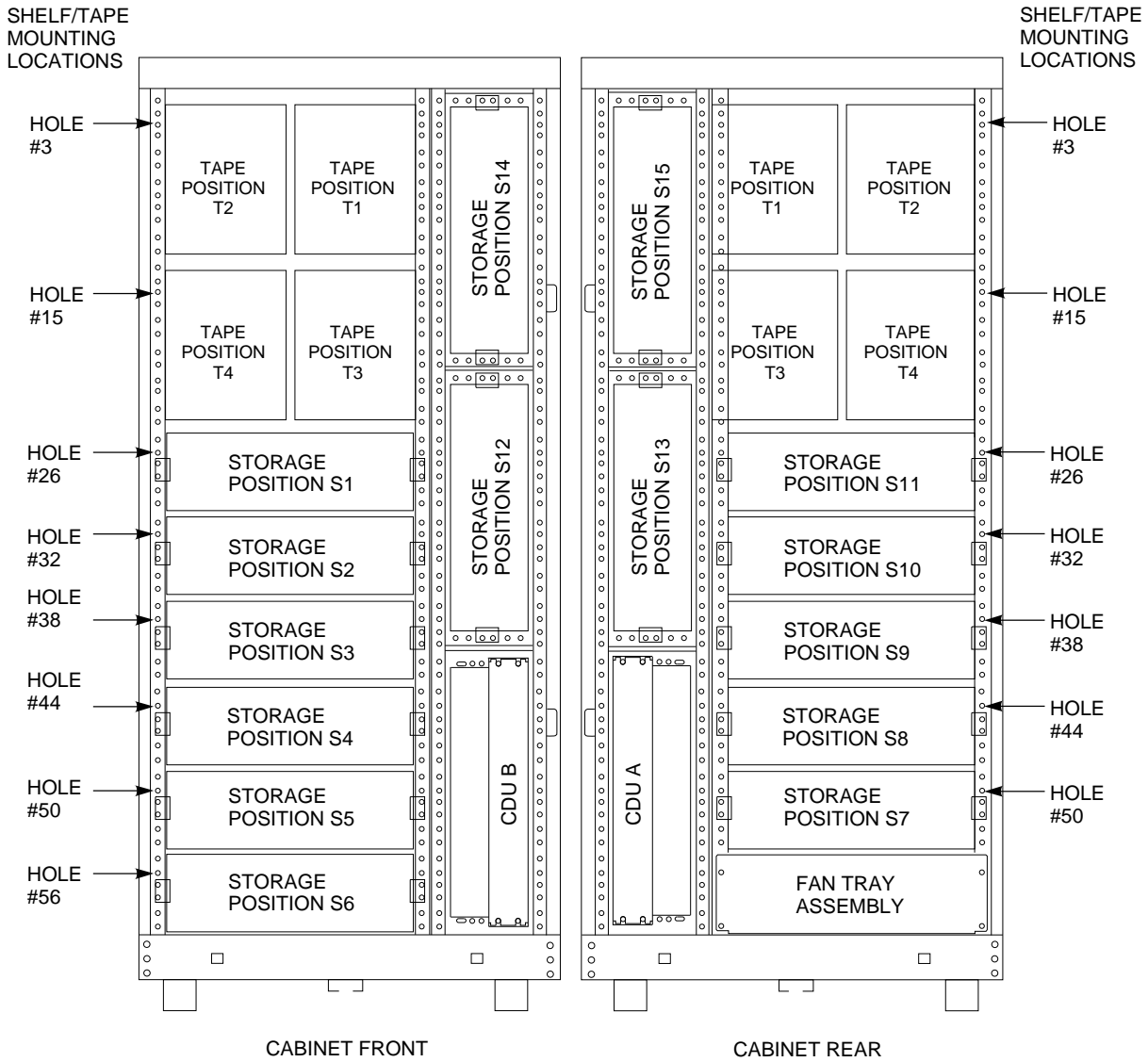
CXO-4572A-MC

**Figure 4 SW800 Storage-Only Cabinet Shelf Locations With Two Tape Drives**



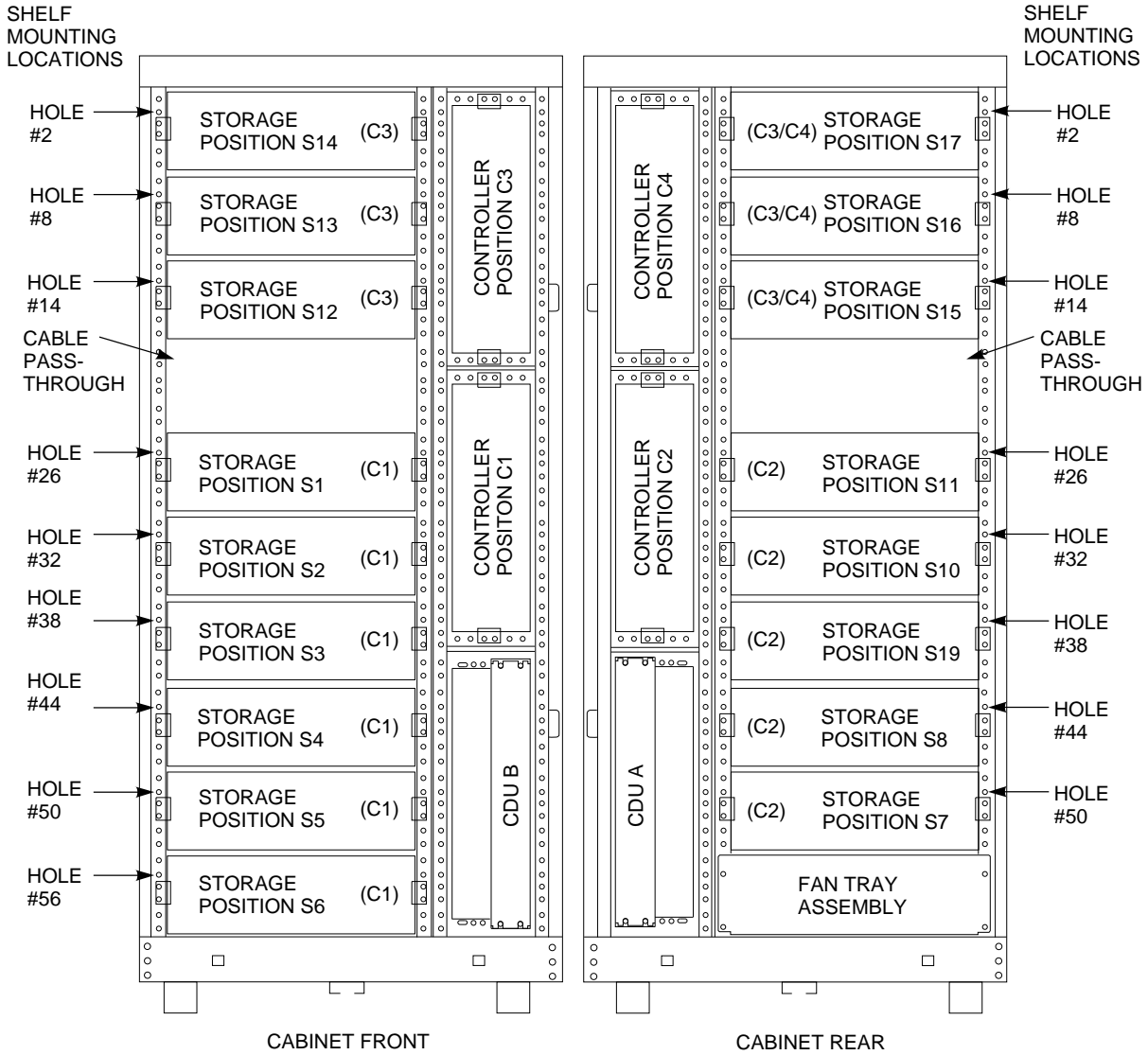
CXO-4573A-MC

**Figure 5 SW800 Storage-Only Cabinet Shelf Locations With Four Tape Drives**



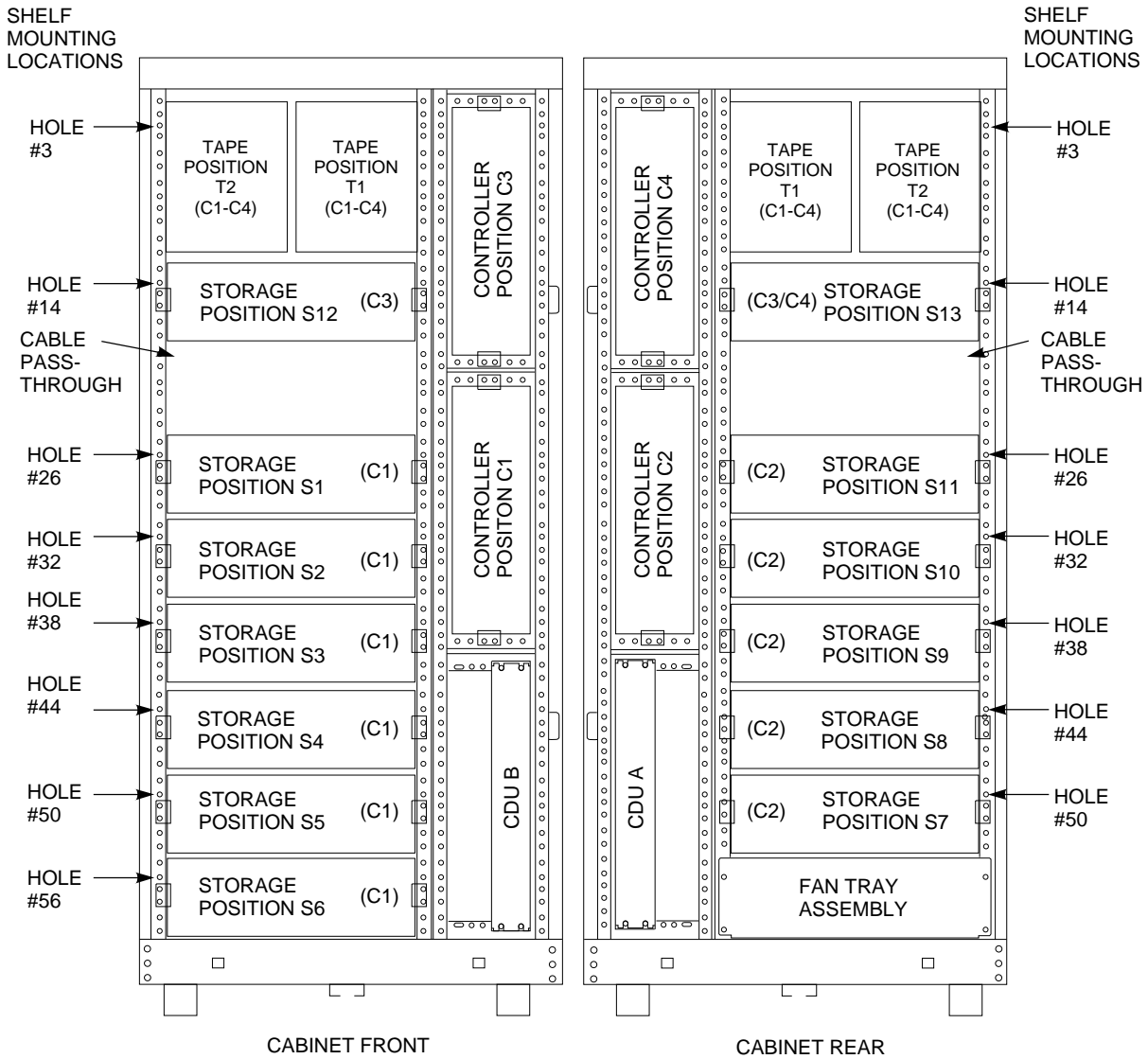
CXO-4574A-MC

**Figure 6 SW800 Controller/Storage Cabinet Shelf Locations Without Tape Drives**



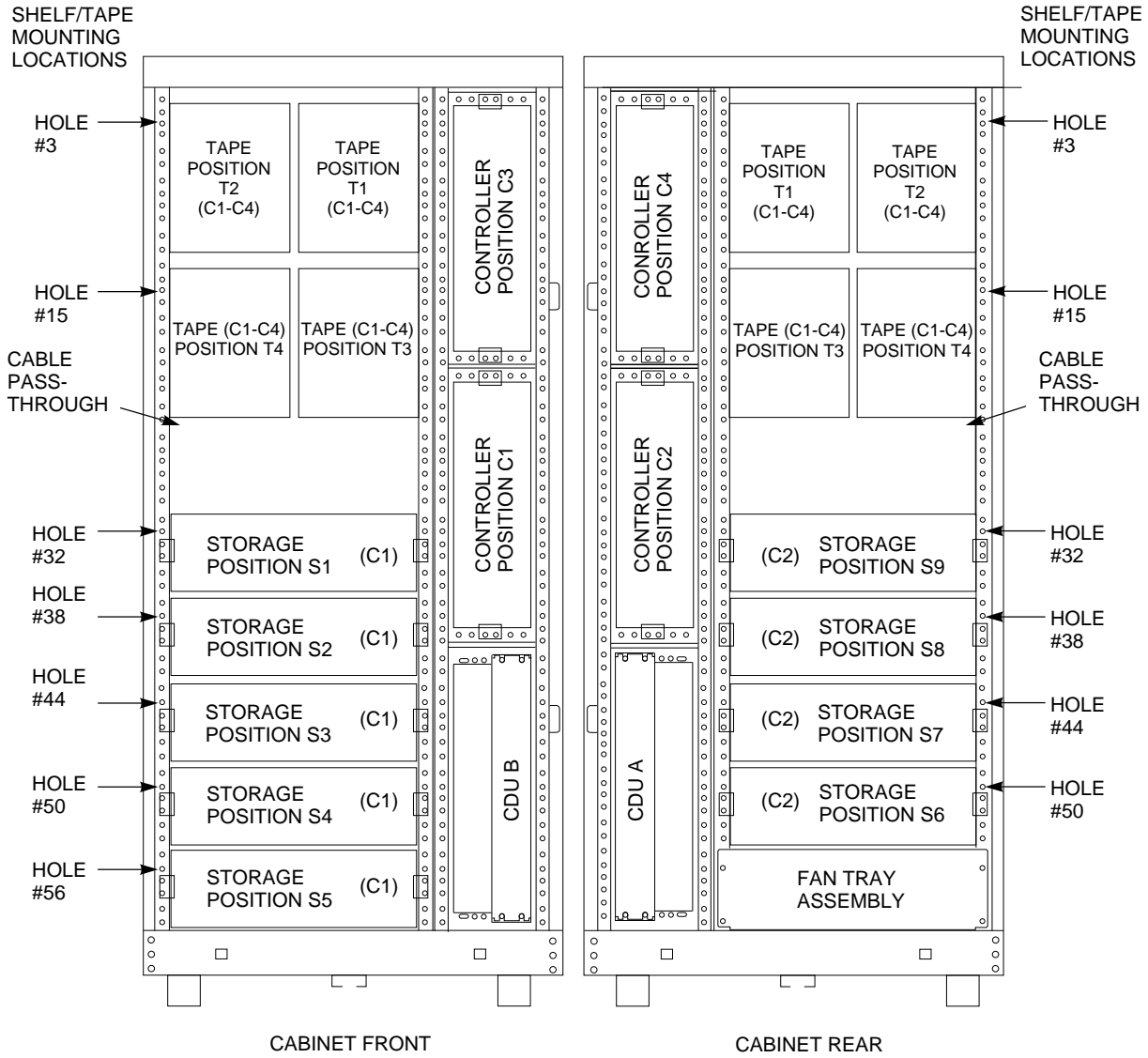
CXO-4575A-MC

**Figure 7 SW800 Controller/Storage Cabinet Shelf Locations With Two Tape Drives**



CXO-4576A-MC

**Figure 8 SW800 Controller/Storage Cabinet Shelf Locations With Four Tape Drives**



CXO-4577A-MC