



SCSI Desktop Expansion Enclosures
(SWXSE-24/25/26/27) and
Vertical Stacking Kit (SWXSE-28)

User's Guide

EK-SMCPK-UG. A01

Digital Equipment Corporation
Maynard, Massachusetts

First Printing, October 1995

While Digital believes the information included in this publication is correct as of the date of publication, it is subject to change without notice. Digital Equipment Corporation assumes no responsibility for any errors that might appear in this document.

Digital Equipment Corporation makes no representations that the use of its products in the manner described in this publication will not infringe on existing or future patent rights, nor do the descriptions contained in this publication imply the granting of licenses to make, use, or sell equipment or software in accordance with the description.

This device complies with Part 15 of the FCC Rules. Operation is subject to the following conditions: (1) this device may not cause harmful interference, and (2) this device must accept any interference received, including interference that may cause undesired operation. This equipment has been tested and found to comply with the limits for a Class B digital device, pursuant to Part 15 of the FCC rules. These limits are designed to provide reasonable protection against harmful interference in a residential installation. Any changes or modifications made to this equipment may void the user's authority to operate this equipment.

This equipment generates, uses, and can radiate radio frequency energy and, if not installed and used in accordance with the instructions, may cause harmful interference to radio communications. However, there is no guarantee that interference will not occur in a particular installation. If this equipment does cause interference to radio or television reception, which can be determined by turning the equipment off and on, the user is encouraged to try to correct the interference by one or more of the following measures:

- Re-orient or relocate the receiving antenna
- Increase the separation between the equipment and receiver
- Connect the equipment into an outlet on a circuit different from that to which the receiver is connected
- Consult the dealer or an experienced radio/TV technician for help

The SCSI port should be connected only with shielded data cables. Digital recommends cables such as BN31G and BN31Q. These are available in 1M, 1.5M, and 2M lengths.

The following are trademarks of Digital Equipment Corporation: AXP, the Digital logo, and StorageWorks.

The following are third-party trademarks: Microsoft and MS-DOS are registered trademarks and Windows NT is a trademark of Microsoft Corporation.

© 1995 Digital Equipment Corporation. All rights reserved.

Printed in USA

1 Introduction

1.1 Product Overview	1-1
1.1.1 SWXSE-24/26 SCSI Desktop Expansion Enclosure	1-1
1.1.2 SWXSE-25/27 SCSI Desktop Expansion Enclosure	1-2
1.2 SCSI Expansion Enclosure Features.....	1-3
1.3 SCSI Expansion Enclosure Component Description.....	1-4
1.4 SCSI Expansion Enclosure Cabinet.....	1-5
1.5 SCSI Bus Characteristics	1-5
1.6 SWXSE-28 Vertical Stacking Kit	1-8

2 Installing Devices

2.1 Introduction.....	2-1
2.2 Unpacking	2-1
2.3 Installing a 3½-Inch SBB	2-2
2.4 Installing a 5¼-Inch SBB	2-4
2.5 Installing a CD-ROM Drive.....	2-6
2.6 Installing the SWXSE-28 Vertical Stacking Kit (Stacking Units)	2-10
2.7 Power Select Switch	2-19
2.8 Setting the SCSI ID Addresses of Storage Devices	2-20
2.9 SCSI Expansion Enclosure Cable Connections	2-23
2.9.1 Power Cable.....	2-23
2.9.2 SCSI Cable	2-24
2.10 Power-on Test	2-25

Appendix A Specifications

A.1 Physical Specifications	A-1
A.2 Electrical Specifications	A-1
A.3 Environmental Specifications	A-1
A.4 Regulatory Approvals.....	A-1

Figures

1-1	SWXSE-24/26 SCSI Desktop Expansion Enclosure.....	1-2
1-2	SWXSE-25/27 SCSI Desktop Expansion Enclosure.....	1-3
1-3	SWXSE-25/27 SCSI Expansion Enclosure Storage Components (Typical).....	1-4
1-4	SWXSE-25/27 SCSI Expansion Enclosure Power Switch.....	1-6
1-5	SWXSE-25/27 SCSI Expansion Enclosure Rear Panel Components	1-6
1-6	SWXSE-24/26 SCSI Expansion Enclosure Cabinet Slot Locations.....	1-7
1-7	SWXSE-25/27 SCSI Expansion Enclosure Cabinet Slot Locations.....	1-7
2-1	Unlocking Front Door	2-3
2-2	Removing a Filler Panel	2-3
2-3	Installing a 3½-Inch SBB	2-4
2-4	Removing Front Door.....	2-5
2-5	Installing a 5¼-Inch SBB	2-5
2-6	Removing Rear Bezel.....	2-6
2-7	Removing Top and Side Covers	2-7
2-8	Removing CD-ROM Filler Panels	2-7
2-9	Installing and Connecting CD-ROM Drive	2-8
2-10	Securing CD-ROM Drive	2-8
2-11	Replacing Top and Side Covers.....	2-9
2-12	Replacing Rear Bezel.....	2-9
2-13	SWXSE-28 Vertical Stacking Kit Components.....	2-11
2-14	Stacking Units – Preparing Top SCSI Expansion Enclosure	2-12
2-15	Stacking Units – Preparing Bottom SCSI Expansion Enclosure	2-13
2-16	Stacking Units.....	2-14
2-17	Removing Rear Panel from Top Unit	2-15
2-18	Connecting Power Sharing Cable	2-16
2-19	Connecting SCSI Jumper Cable.....	2-17
2-20	Re-installing Bezels.....	2-18
2-21	Power Select Switch.....	2-20
2-22	SWXSE-24/26 SCSI Switch Location and ID Settings.....	2-21
2-23	SWXSE-25/27 SCSI Switch Location and ID Settings.....	2-22
2-24	External SCSI Cable Connection.....	2-24
2-25	Setting SCSI Expansion Enclosure Power Switch to ON	2-25

Tables

2-1 Power Select Switch Factory Settings..... 2-19
2-2 Power Cables..... 2-23

Revision Record

This Revision Record provides a concise publication history of this guide. It lists the guide revision levels, release dates, and reasons for the revisions. It also describes how the changes to affected pages are marked in the guide.

The following revision history lists all revisions of this publication and their effective dates. The publication part number is included in the Revision Level column, with the last entry denoting the latest revision. This publication supports the StorageWorks SCSI Desktop Expansion Enclosures and the Vertical Stacking Kit.

Revision Level	Date	Summary of Changes
EK-SMCPK-UG. A01	October 1995	Original release.

About This Guide

This section identifies the audience of this guide and describes the contents and structure. In addition, the section includes a list of associated documents and the conventions used in this guide.

This guide provides the following information for the StorageWorks SCSI Desktop Expansion Enclosures and the Vertical Stacking Kit.

Intended Audience

This guide is intended for people who will install and operate the StorageWorks SCSI Desktop Expansion Enclosures and Vertical Stacking Kit in the field. The user should have a general understanding of basic SCSI terminology and installation procedures.

Document Structure

This guide contains the following chapters:

Chapter 1: Introduction

Introduction presents an overview of the SCSI Desktop Expansion Enclosures and describes its major components. It also describes the Vertical Stacking Kit.

Chapter 2: Installing Devices

Installing Devices describes how to install storage devices and the Vertical Stacking Kit option. It also covers cable connections and a power-on verification test.

Appendix A: Specifications

Specifications describes the physical, electrical, and environmental specifications for the SCSI Desktop Expansion Enclosures. It also lists the regulatory approvals.

Associated Documents

In addition to this guide, the following documentation is useful to the reader:

Document	Order Number
<i>ANSI Small Computer System Interface</i>	ANSI X3T9.2, Rev. 10L

Style Conventions

This guide uses the following documentation conventions:

Style	Meaning
plain monospace type	Text
boldface type	Chapter titles, section headings, figure and table titles.
<i>italic type</i>	Manual titles and chapter summaries.

Introduction

This chapter provides an overview of the SCSI Desktop Expansion Enclosures and describes their physical and operational characteristics. It also describes the SWXSE-28 Vertical Stacking Kit.

1.1 Product Overview

NOTE

Models 24 and 26 of the two device SWXSE are identical. Model 24 is set at the factory to operate from 120 V ac power source; model 26 is set to operate from 240 V ac.

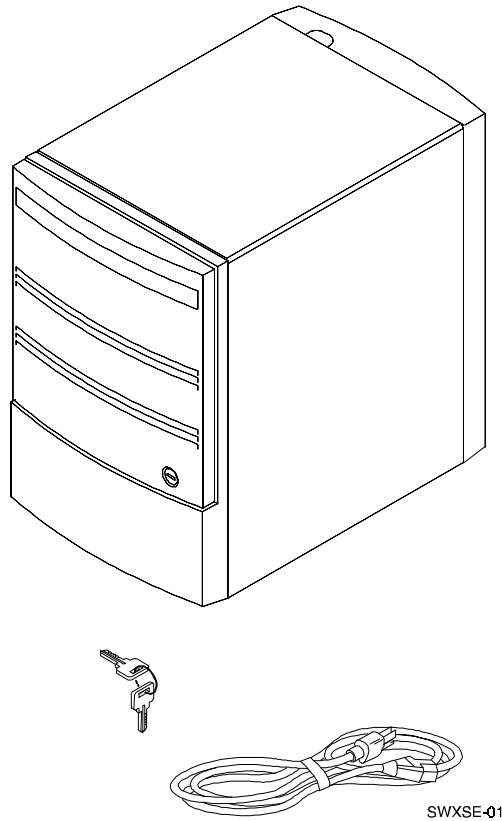
Models 25 and 27 of the multiple device SWXSE are also identical with model 25 set at the factory to operate from 120 V ac and model 27 set to operate from 240 V ac.

The StorageWorks SCSI Desktop Expansion Enclosures provide a convenient storage solution and configuration flexibility for your storage needs. The expansion enclosure product line consists of two standalone designs – the SWXSE-24/26 is a two device modular desktop 8/16-bit SCSI storage subsystem; the SWXSE-25/27 is also a modular desktop 8/16-bit SCSI storage subsystem which allows multiple device configuration options as required by the user.

1.1.1 SWXSE-24/26 SCSI Desktop Expansion Enclosure

The SWXSE-24/26 (Figure 1–1) allows the installation of up to two 3½-inch StorageWorks Building Blocks (SBBs). The enclosure is cooled by a high-speed fan (located on the rear panel) and contains a 120/240-volt (adjustable) fan-cooled power supply. The desktop unit is equipped with a lockable front door and the SCSI and power cable connections are made on the rear panel. The SWXSE-24/26 is adaptable to a second unit that can be stacked vertically on top of the first using the optional SWXSE-28 Vertical Stacking Kit (described in Section 1.6).

Figure 1–1 SWXSE-24/26 SCSI Desktop Expansion Enclosure

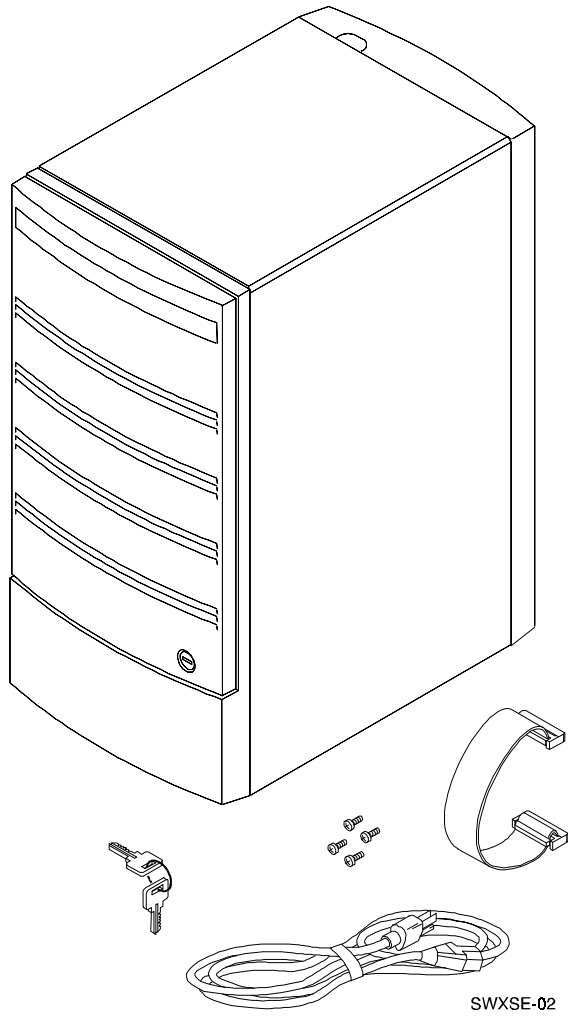


1.1.2 SWXSE-25/27 SCSI Desktop Expansion Enclosure

The SWXSE-25/27 (Figure 1–2) provides an enhanced SCSI storage capability by allowing multiple device configurations within the enclosure. The options available are:

- Up to four 8/16-bit SCSI devices (3½-inch SBB) with a fixed 5¼-inch CD-ROM installed in the top slot
- One 8/16-bit SCSI device (3½-inch SBB), one 5¼-inch SBB, and a fixed 5¼-inch CD-ROM installed in the top slot

Figure 1-2 SWXSE-25/27 SCSI Desktop Expansion Enclosure



1.2 SCSI Expansion Enclosure Features

The StorageWorks SCSI Expansion Enclosure offers the following features:

- Low-cost SCSI device storage subsystem
- Snap-in devices for quick installation and removal
- The ability to mix 3½-inch and 5¼-inch devices (SWXSE-25/27 only)
- The ability to warm swap SBBs without powering down the enclosure
- Switch controlled SCSI ID address of SBB slots
- Cabinet that can be locked
- Two expansion units that can be vertically "stacked" to enhance your storage capability

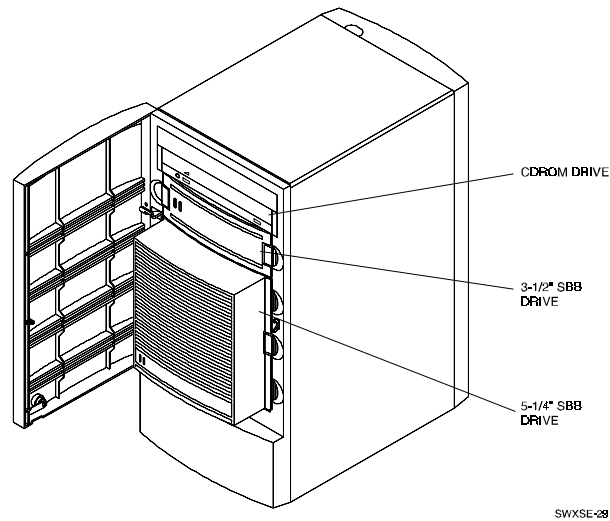
1.3 SCSI Expansion Enclosure Component Description

The components of the SCSI expansion enclosure include the following:

- StorageWorks Building Blocks (SBBs)
 - Disk, tape, and optical devices
 - Industry standard 3½ and 5¼-inch form factor devices

Figure 1–3 identifies the components of model SWXSE-25/27 of the enclosure with a 5¼-inch SBB, one 3½-inch SBB and a CD-ROM drive installed.

Figure 1–3 SWXSE-25/27 SCSI Expansion Enclosure Storage Components (Typical)



1.4 SCSI Expansion Enclosure Cabinet

The SCSI expansion enclosure cabinet is a modular storage cabinet that is self contained with its own fan-cooled power supply, a cabinet blower, two SCSI cable connectors, and programmable SCSI ID switches. Models SWXSE-24/26 contain two switches, one for each SBB slot. Models 25/27 are equipped with four switches which control the SCSI IDs of SBB slots 1 - 4.

The characteristics of the SCSI enclosure are listed below. Figure 1-4 shows the location of the power switch on the front panel. Figure 1-5 identifies the components on the rear panel. Figures 1-6 and 1-7 identify the slot numbers in each model.

- The capacity of models SWXSE-24/26 is two 3½-inch SBBs
- The capacity of models SWXSE-25/27 is:
 - Four 3½-inch SBBs with a fixed 5¼-inch CD-ROM in the top slot, or
 - One 3½-inch SBB, one 5¼-inch SBB, and a fixed 5¼-inch CD-ROM installed in the top slot
- Sixteen possible SCSI bus device addresses (0 through 15) which can be assigned to either 3½-inch or 5¼-inch SBBs
- There is a 68-pin, high density female SCSI input connector for external connection to the host
- There is a 68-pin, high density female SCSI output connector to enable the vertical stacking of two units using the Vertical Stacking Kit
- The SCSI expansion enclosure power supply can operate from either a 120 or 240 volt ac power source (may be set internally by the voltage-select switch)

1.5 SCSI Bus Characteristics

- The internal SCSI bus length of models SWXSE-24/26 is 0.37 meters
- The internal SCSI bus length of models SWXSE-25/27 is 0.55 meters
- The SWXSE-28 Vertical Stacking Kit SCSI jumper cable adds 0.17 meters to the bus

Both expansion enclosure models include an internal SCSI bus terminator that is disabled when a device is attached to the SCSI out connector on the rear panel.

NOTE

The external 1.5 meter high-density SCSI cable required to connect the expander box to the host system must be ordered separately.

Figure 1-4 SWXSE-25/27 SCSI Expansion Enclosure Power Switch

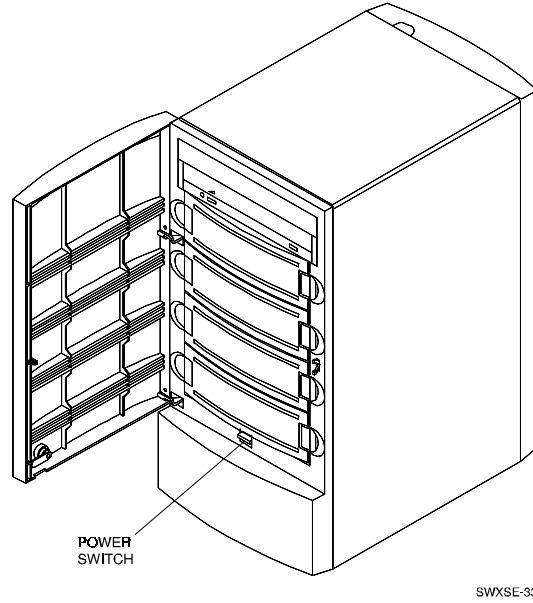


Figure 1-5 SWXSE-25/27 SCSI Expansion Enclosure Rear Panel Components

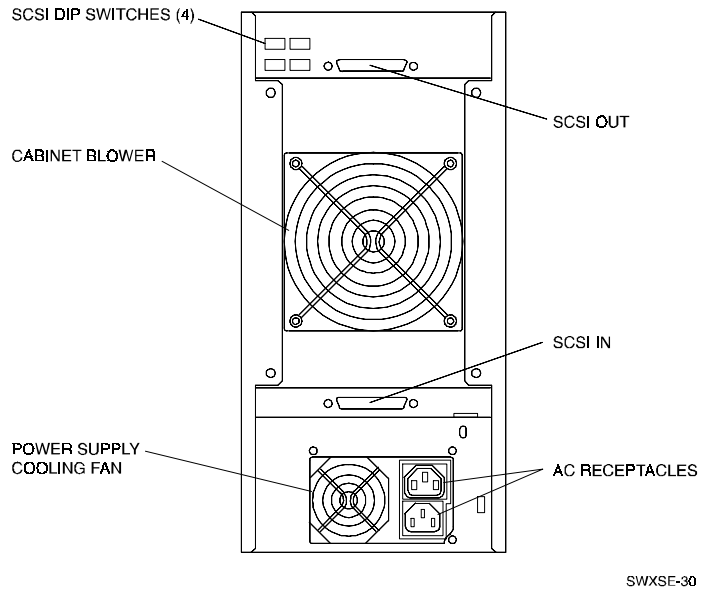
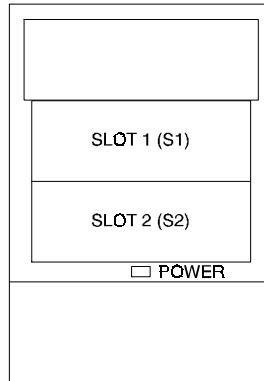
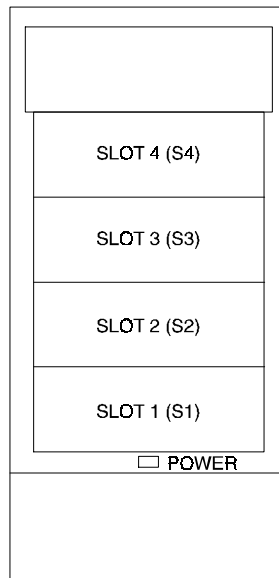


Figure 1–6 SWXSE-24/26 SCSI Expansion Enclosure Cabinet Slot Locations



SWXSE-32

Figure 1–7 SWXSE-25/27 SCSI Expansion Enclosure Cabinet Slot Locations



SWXSE-31

1.6 SWXSE-28 Vertical Stacking Kit

The SCSI Desktop Expansion Enclosures may be used standalone or two units may be vertically stacked together to increase your storage capability. The SWXSE-28 Vertical Stacking Kit allows you to vertically mount one unit on top of another to create an enhanced storage subsystem. The units are physically secured for stability and then interconnected electrically using jumper power and SCSI cables. The power and SCSI connections to the host are made through the interface connectors on the bottom unit. Detailed instructions for installing the Stacking Kit are contained in Chapter 2.

NOTE

Two SWXSE-24/26 units may be vertically stacked to form a four-device subsystem, or an SWXSE-24/26 may be stacked on top of a multiple device SWXSE-25/27. Vertically stacking two SWXSE-25/27 units is not supported at this time.

Installing Devices

This chapter describes how to install storage device SBBs into the SCSI Desktop Expansion Enclosures. It includes unpacking, installing SBBs and a CD-ROM, and a power-on test. The chapter also describes how to install the optional Vertical Stacking Kit.

NOTE

There are *no* field replaceable units (FRU's) in the SCSI Desktop Expansion Enclosure. If an internal component fails (e.g. power supply), return it to your supplier or call your service representative.

2.1 Introduction

The information in this chapter is divided as follows:

- Unpacking the SCSI expansion enclosure
- Installing an SBB or CD-ROM
- Connecting the SCSI expansion enclosure to your system
- Power-on test
- Vertically stacking two SCSI enclosures using the optional stacking kit

2.2 Unpacking

Before unpacking the SCSI expansion enclosure, check the packing slip to ensure the correct equipment has been shipped. Also, inspect the shipping container for damage. The container and packing material should be stored at the installation site.

Inventory the contents of the shipment. It should contain the following:

- SCSI expansion enclosure unit
- Power cable
- Keys (2)

If the optional SWXSE-28 Vertical Stacking Kit was ordered, inventory the contents of this shipment. It should contain the following (see Figure 2–13):

- Power sharing cable
- External SCSI jumper cable
- Stabilizing base
- Stack kit plate
- U-shape bracket
- Five screws

2.3 Installing a 3½-Inch SBB

To install a 3½-inch SBB into the SCSI expansion enclosure, proceed as follows:

NOTE

The figures that support this procedure (Figures 2–1, 2–2, and 2–3) show the SBB being installed into the SWXSE-25/27 multiple-device model of the enclosure. The procedure also applies to two-device models SWXSE-24/26. In the two-device models, the bottom slot is slot 1 and the top slot is slot 2.

1. Unlock and open the front door (Figure 2–1).
2. Remove the blank filler panel from the desired SBB slot by squeezing the side mounting tabs and pulling the panel forward (Figure 2–2).
3. Insert the SBB into the guide grooves in the open slot and slide the device in until the device mounting tabs snap and lock into place (Figure 2–3).
4. Refer to Section 2.8, Setting the SCSI ID Addresses of Storage Devices, to set the desired SCSI ID address of the SBB.

Figure 2-1 Unlocking Front Door

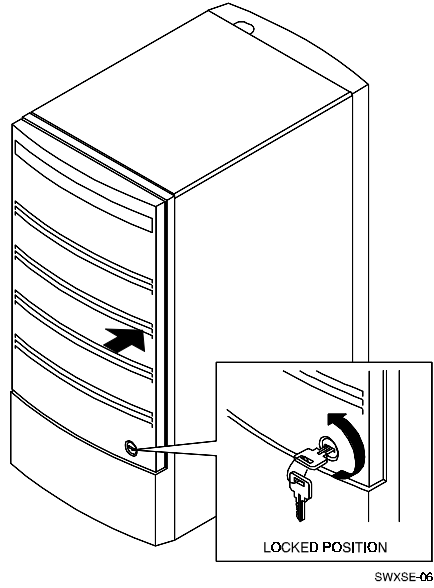


Figure 2-2 Removing a Filler Panel

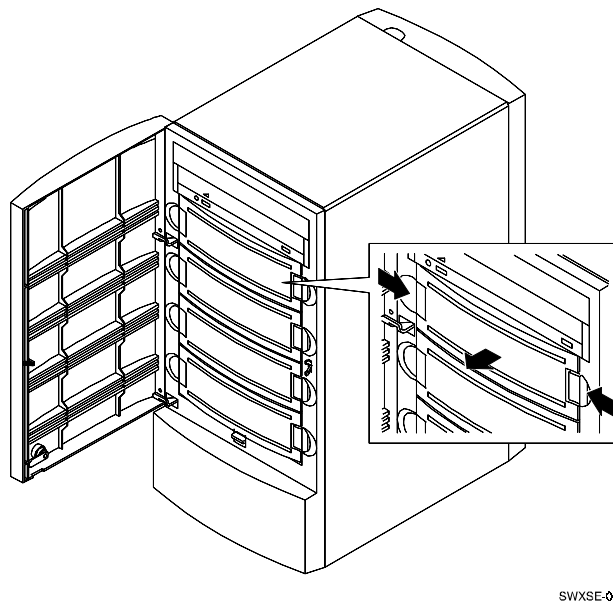
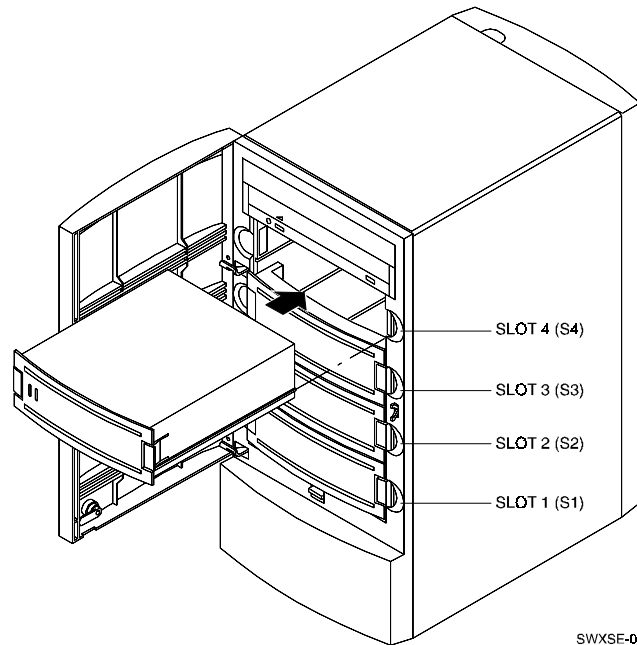


Figure 2-3 Installing a 3½-Inch SBB



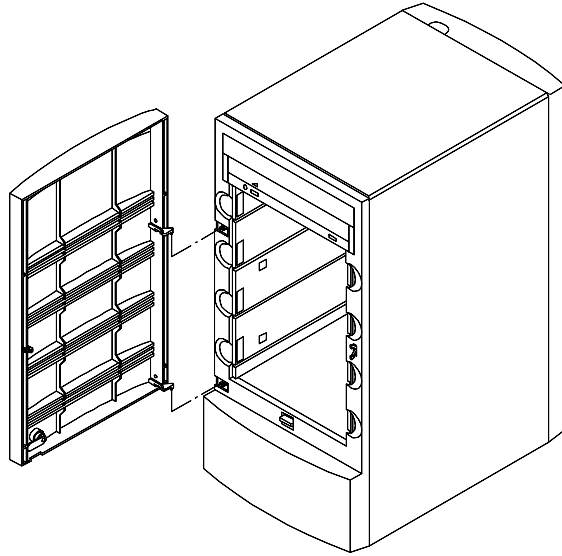
SWXSE-09

2.4 Installing a 5¼-Inch SBB

To install a 5¼-inch SBB into the SCSI expansion enclosure, proceed as follows:

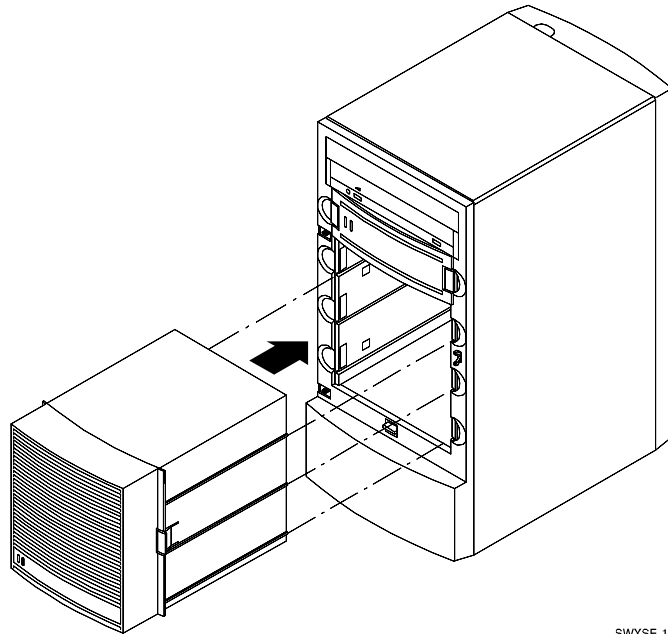
1. Unlock and remove the front door (Figure 2-4).
2. Remove three consecutive blank filler panels from the SBB slots by squeezing the side mounting tabs and pulling the panel forward (Figure 2-2).
3. Insert the SBB into the guide grooves in the open slots and slide the device in until the device mounting tabs snap and lock into place (Figure 2-5).
4. Refer to Section 2.8, Setting the SCSI ID Addresses of Storage Devices, to set the desired SCSI ID of the SBB.
5. Replace the front door.

Figure 2-4 Removing Front Door



SWXSE-10

Figure 2-5 Installing a 5¼-Inch SBB



SWXSE-11

2.5 Installing a CD-ROM Drive

To install a CD-ROM drive into the top slot of the SWXSE-25/27 models of the SCSI expansion enclosure, proceed as follows:

1. Remove the rear bezel by loosening the four thumb screws and lifting the bezel clear of the unit (Figure 2-6). Remove the stabilizer base if necessary.
2. Slide and remove the top cover (or top expansion enclosure) and side covers from the enclosure (Figure 2-7).
3. Unlock and open the front door.
4. Remove the two screws securing the top plate to slot 1 and the front blank filler panel (Figure 2-8). Discard the two screws.
5. Connect the ribbon cable to the 50-pin connector at the rear of the enclosure (see Figure 2-9).
6. Set the SCSI ID of the CD-ROM using the manufacturer's instructions.
7. Insert the CD-ROM into the open slot, slide it to the rear of the enclosure, and connect the power and ribbon cables to the CD-ROM (Figure 2-9).
8. Reinstall the top plate and secure the CD-ROM by installing the six screws supplied with the enclosure (Figure 2-10).
9. Replace the top and side covers (Figure 2-11). Replace the stabilizer base (if removed in step 1) and the rear bezel (Figure 2-12).

Figure 2-6 Removing Rear Bezel

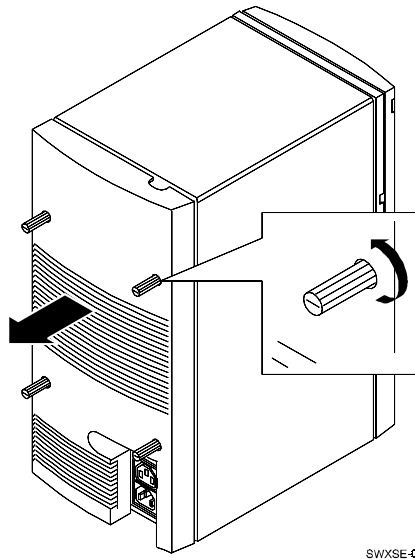


Figure 2-7 Removing Top and Side Covers

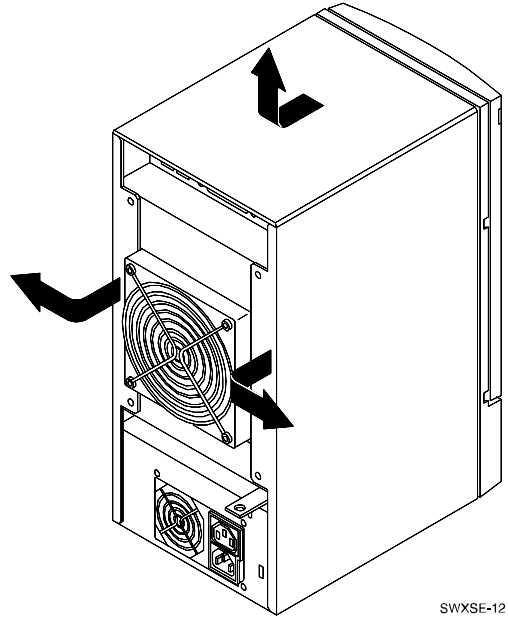


Figure 2-8 Removing CD-ROM Filler Panels

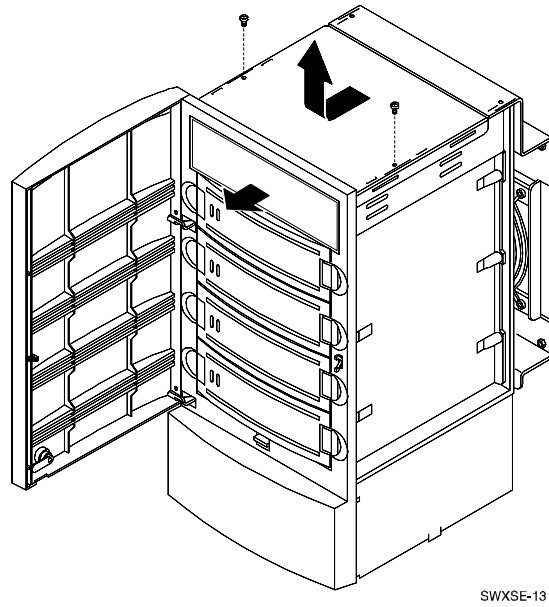
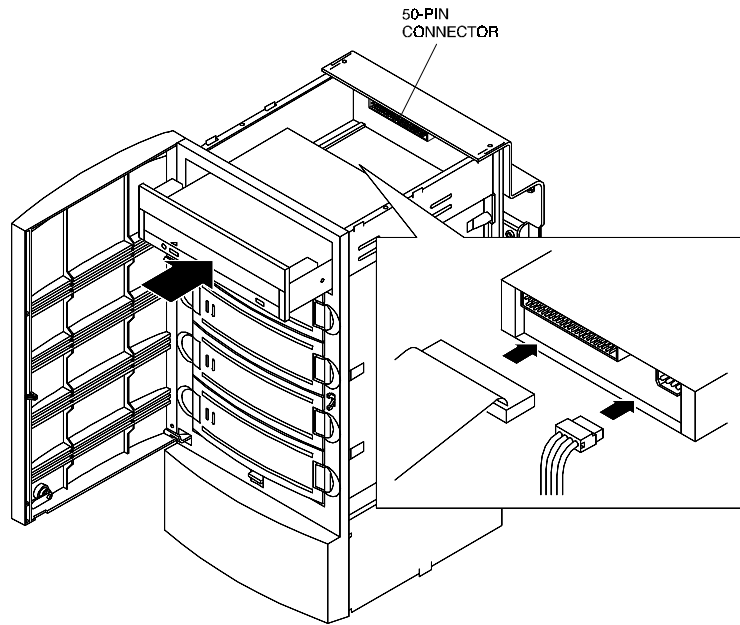
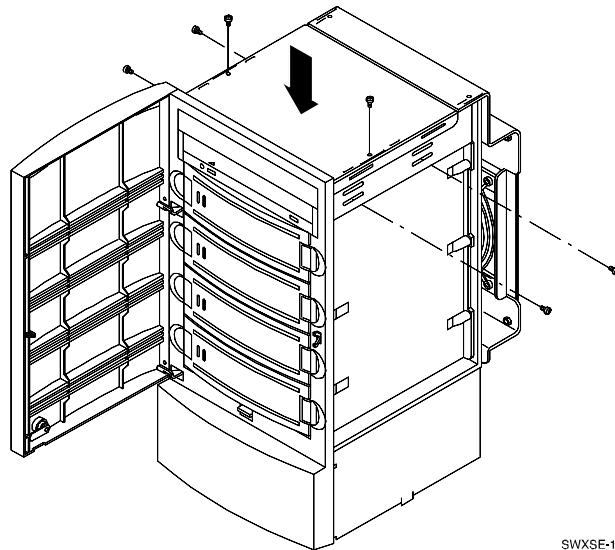


Figure 2-9 Installing and Connecting CD-ROM Drive



SWXSE-14

Figure 2-10 Securing CD-ROM Drive



SWXSE-15

Figure 2-11 Replacing Top and Side Covers

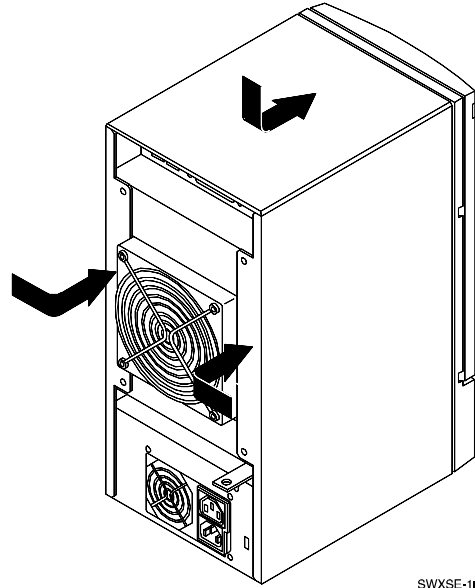
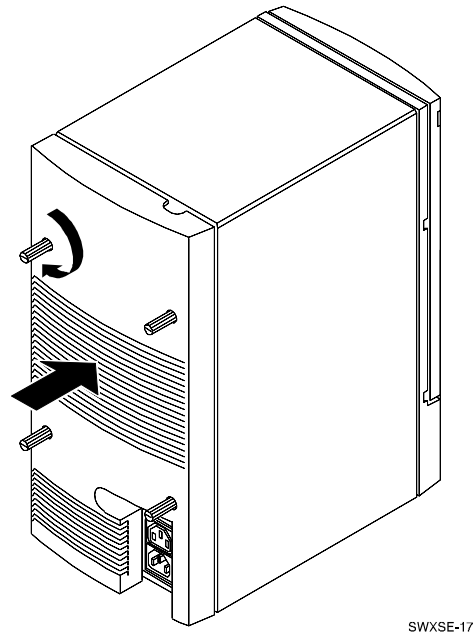


Figure 2-12 Replacing Rear Bezel



2.6 Installing the SWXSE-28 Vertical Stacking Kit (Stacking Units)

The vertical stacking kit allows you to vertically mount an SWXSE-24/26 SCSI expansion enclosure on top of another SWXSE-24/26, or on top of a multiple device SWXSE-25/27. Both configurations are designed to expand the storage capability of your subsystem. Vertically stacking two SWXSE-25/27 units is not supported. The following procedure illustrates how to stack a two device SWXSE-24/26 and a multiple device SWXSE-25/27. It also applies to stacking two SWXSE-24/26 units. Proceed as follows to stack one unit on top of another.

CAUTION

Ensure both units are powered off and the power cables are disconnected from the ac power source.

1. Unpack the contents of the Vertical Stacking Kit and inventory the contents of your shipment. It should contain the items listed in Section 2.2 (Unpacking) and shown in Figure 2-13.
2. Inspect the contents for damage or shortages. Report any problems to the distributor or service representative immediately.
3. Turn the top expansion enclosure upside down on a flat surface and secure the stack kit plate to the bottom of the unit using three screws (Figure 2-14).
4. Remove the rear bezel from the bottom expansion enclosure by loosening the thumb screws and lifting the bezel clear of the unit, and then remove the top cover (Figure 2-15).
5. Place the bottom expansion enclosure on the stabilizer base and secure the U-shaped bracket to the base using two screws (Figure 2-15).
6. Carefully stack the top unit on top of the bottom unit and align them so the base of the top unit locks into the top of the bottom unit (Figure 2-16).
7. Remove the rear bezel from the top unit (Figure 2-17).
8. Connect the power sharing cable between the stacked units (Figure 2-18).
9. Connect the SCSI jumper cable between the stacked units (Figure 2-19).
10. Replace the rear bezels on both units (Figure 2-20).
11. Refer to Section 2.8 to set the desired SCSI ID's of the SCSI devices.

Figure 2-13 SWXSE-28 Vertical Stacking Kit Components

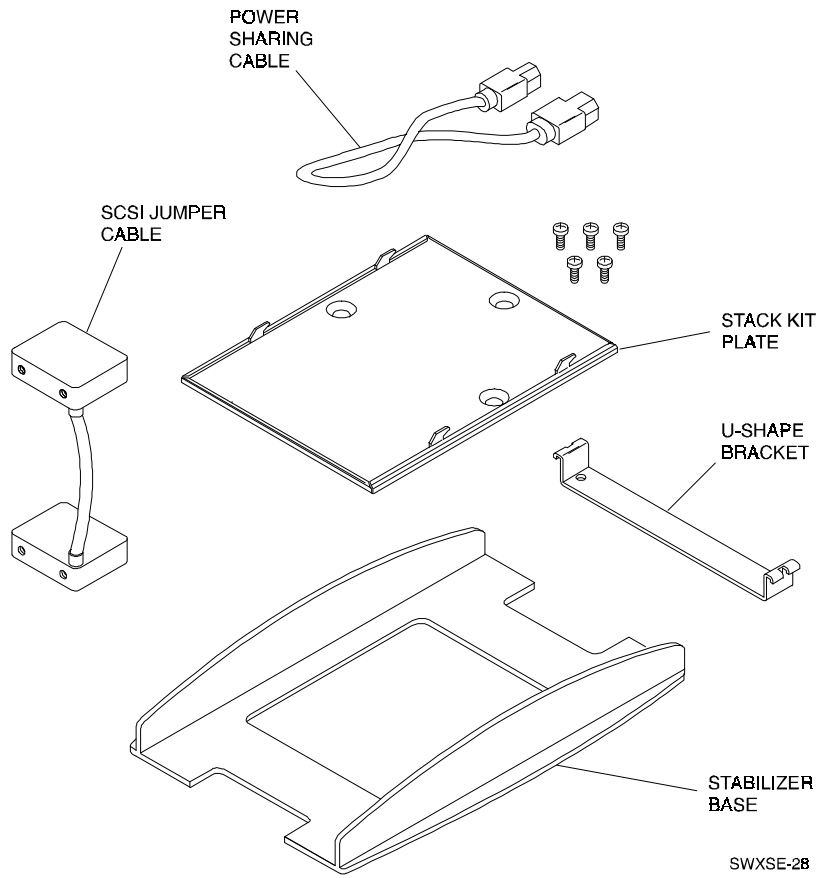


Figure 2-14 Stacking Units – Preparing Top Expansion Enclosure

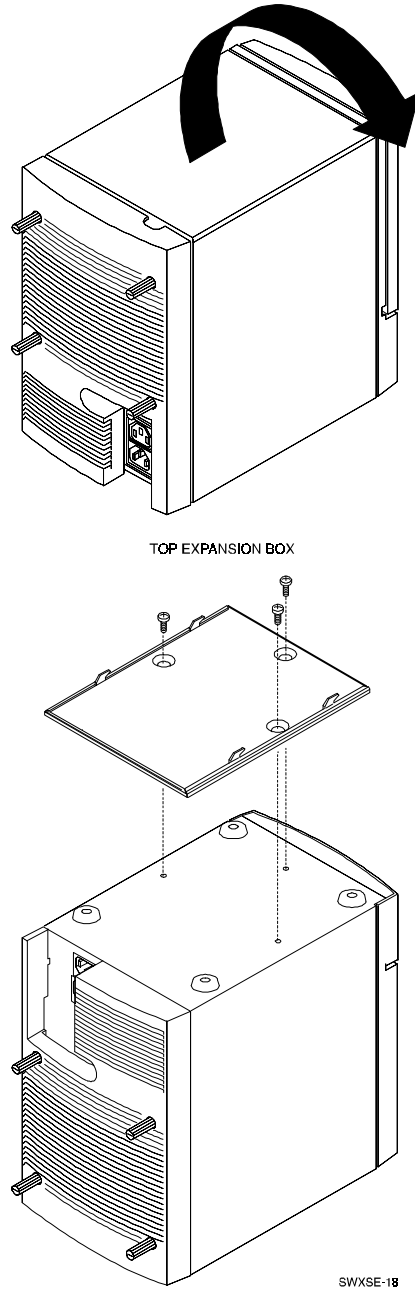


Figure 2-15 Stacking Units – Preparing Bottom Expansion Enclosure

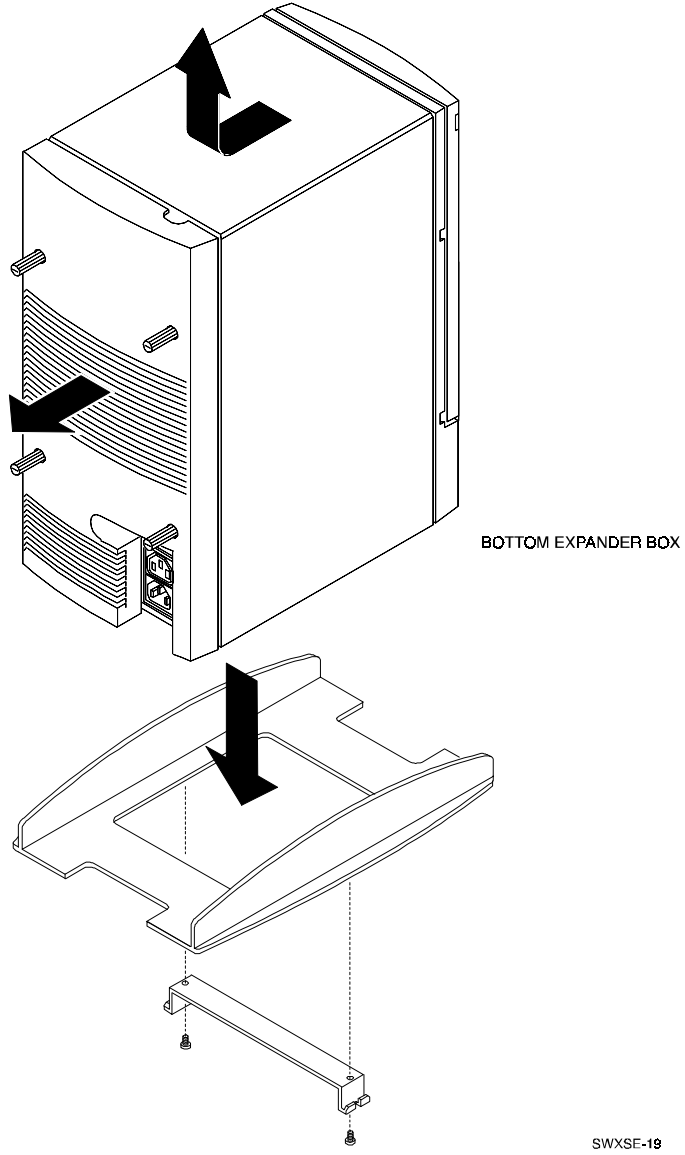


Figure 2-16 Stacking Units

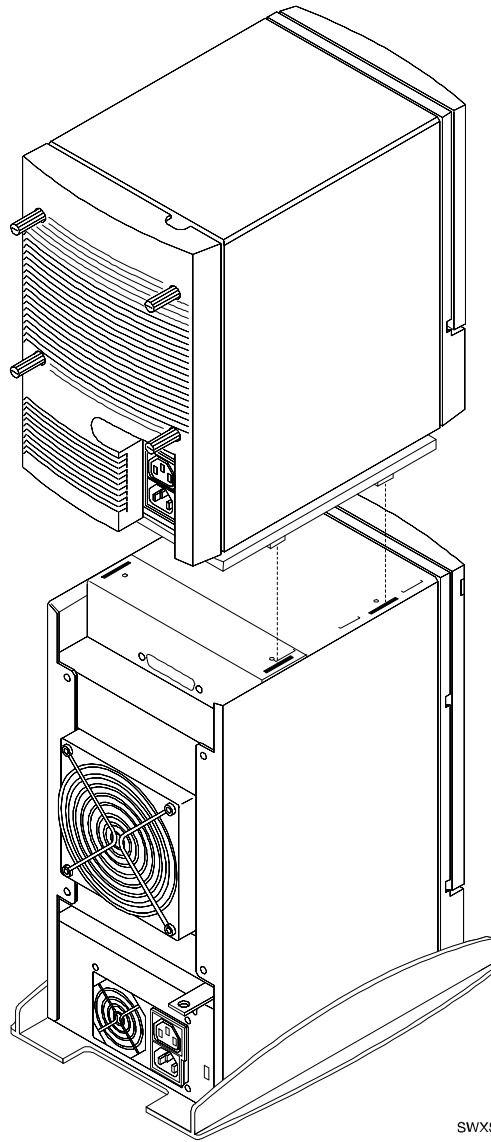
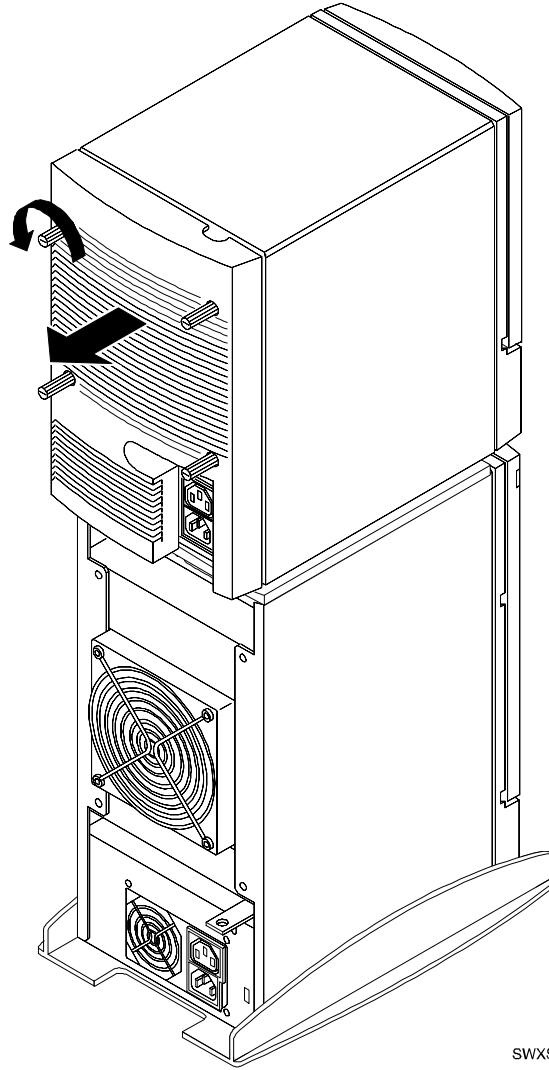
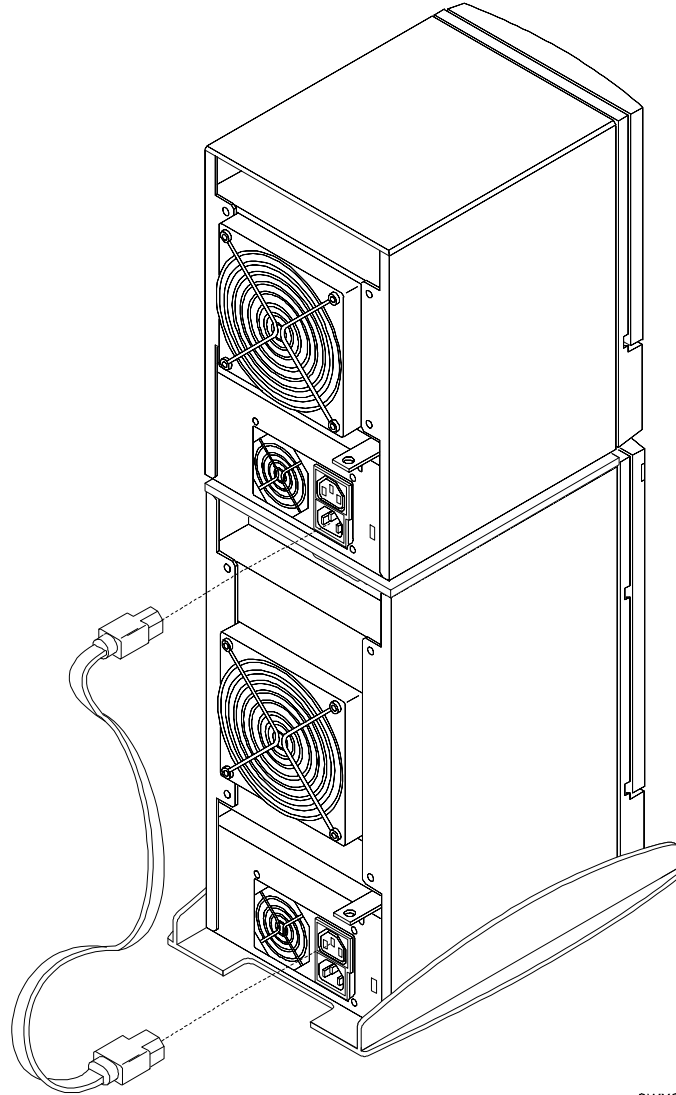


Figure 2-17 Removing Rear Panel from Top Unit



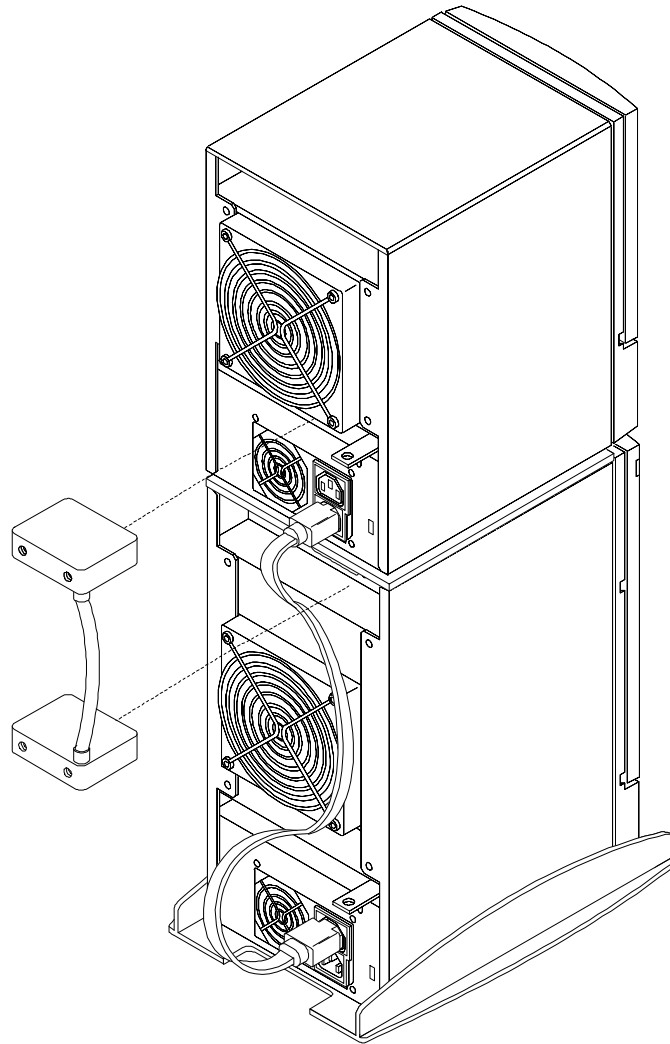
SWXSE-21

Figure 2-18 Connecting Power Sharing Cable



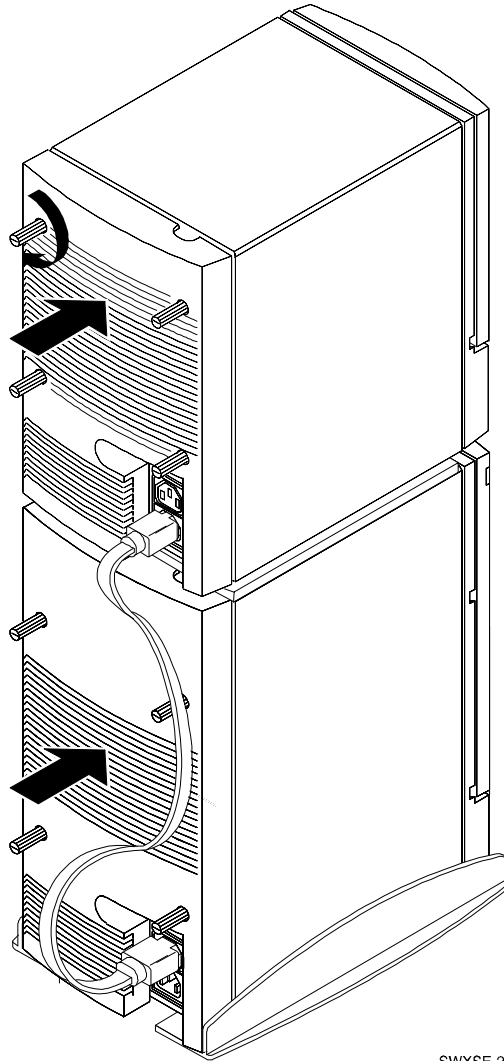
SWXSE-22

Figure 2-19 Connecting SCSI Jumper Cable



SWXSE-23

Figure 2-20 Re-installing Bezels



SWXSE-24

2.7 Power Select Switch

The enclosure is shipped with the power select switch set to the appropriate setting for the model numbered ordered. The four models of the SCSI enclosure and the corresponding factory settings of the switch are described in Table 2–1 below.

Table 2–1 Power Select Switch Factory Settings

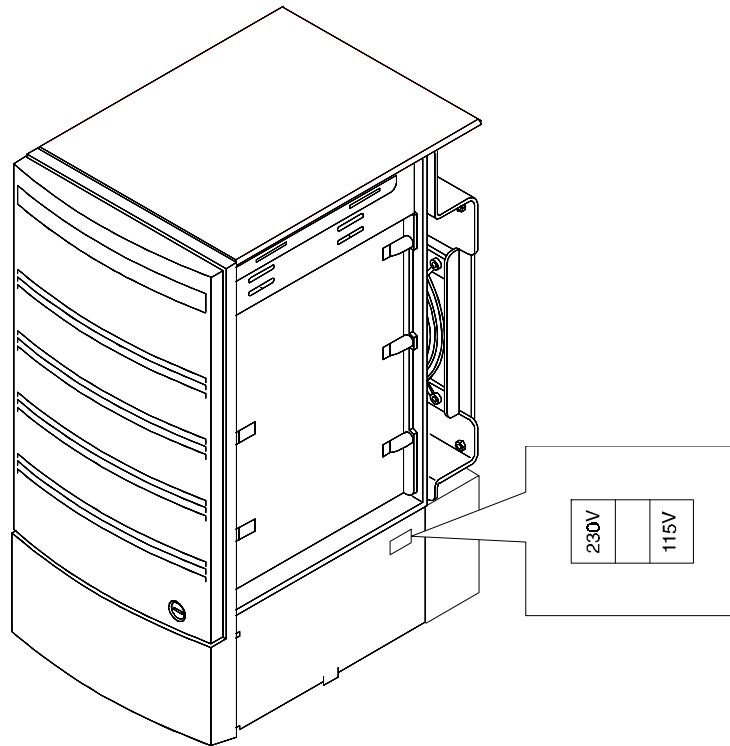
Model	Factory Setting
SWXSE-24	115V
SWXSE-26	230V
SWXSE-25	115V
SWXSE-27	230V

CAUTION

Ensure the unit is powered off and the power cable is disconnected from the power outlet before setting the power select switch.

If you wish to set the power select switch to the alternate voltage setting, remove the rear bezel and the cover on the right side of the unit to gain access to the opening in the side of the chassis. Insert a flat-head screwdriver through the opening and engage the cavity in the switch with the tip of the screwdriver. Then, slide the switch to the opposite position (see Figure 2–21).

Figure 2–21 Power Select Switch

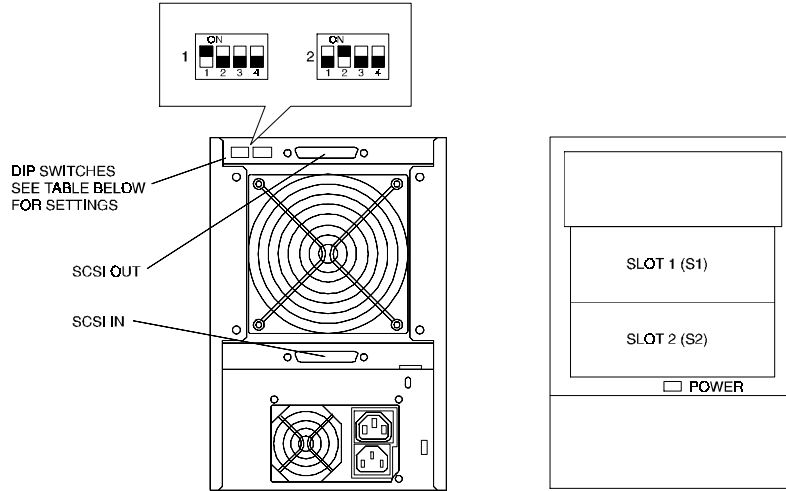


SWXSE-27

2.8 Setting the SCSI ID Addresses of Storage Devices

The addresses of the storage devices in the expansion enclosure are controlled by the SCSI ID switches located behind the rear bezel. To set the addresses, remove the rear bezel to gain access to the switches. Figure 2–22 shows the location of the switches and the switch positions required to obtain the SCSI unit ID's for two-device models SWXSE-24 and 26. Figure 2-23 illustrates the location and switch positions for multiple-device models SWXSE-25 and 27.

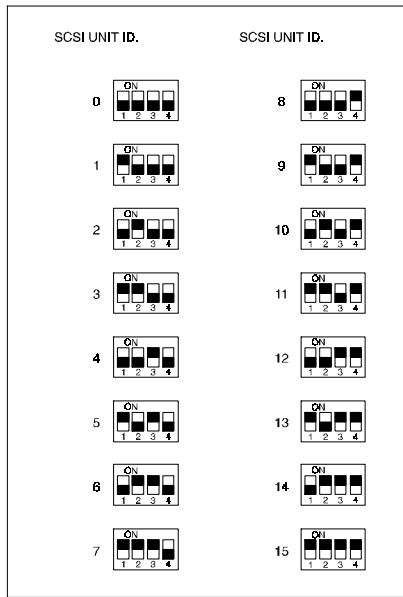
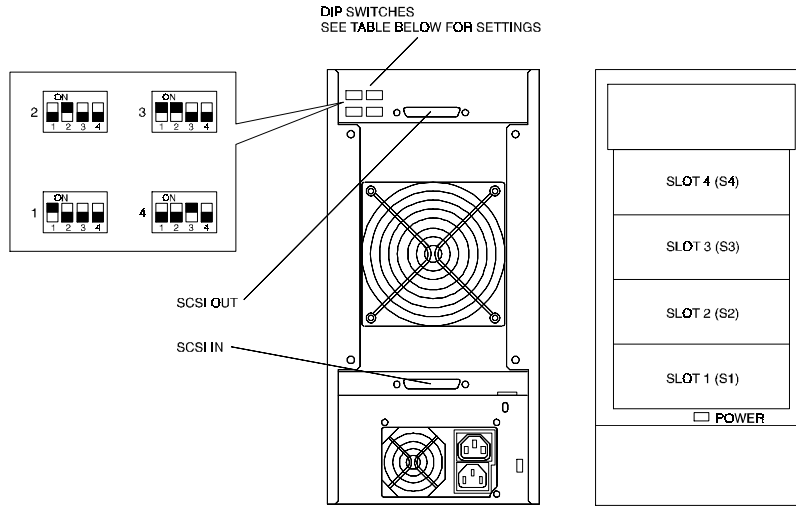
Figure 2-22 SWXSE-24/26 SCSI Switch Location and ID Settings



SCSI UNIT ID.	SCSI UNIT ID.
0	8
1	9
2	10
3	11
4	12
5	13
6	14
7	15

SWXSE-25

Figure 2–23 SWXSE-25/27 SCSI Switch Location and ID Settings



SWXSE-26

2.9 SCSI Expansion Enclosure Cable Connections

2.9.1 Power Cable

The SCSI expansion enclosure ac power connection is made through a country-specific power cord connected between the rear panel of the SCSI expansion enclosure and a 125 or 250 volt ac power source. In general, the power cords (listed in Table 2–2) have the following characteristics:

- Rated at 10 amps at the specified operating voltage
- 2.5 meters (8.2 feet) in length
- Have a country-specific power plug
- Have an IEC 320 C-14 compatible connector

Table 2–2 Power Cables

Digital P/N	Digital Option No.	Country	Length
17-00606-02	BN19P-1K	US, Canada, Japan	75.0" (2.0m)
17-00310-08	BN19K-2E	Denmark	98.4" (2.5m)
17-00457-16	BN18L-2E	Israel	98.4" (2.5m)
17-00364-18	BN19M-2E	Italy	98.4" (2.5m)
17-00210-13	BN19E-2E	Switzerland	98.4" (2.5m)
17-00209-15	BN19A-2E	UK/Ireland	98.4" (2.5m)
17-00198-14	BN19H-2E	Australia/N. Zealand	98.4" (2.5m)
17-00456-04	BN18V-2E	India	98.4" (2.5m)
17-00199-21	BN19C-2E	Central Europe†	98.4" (2.5m)

† Central Europe power cords must be used in the following countries: Austria, Belgium, France, Germany, Holland, Norway, Portugal, Spain, and Sweden.

To connect the power cord to the SCSI expansion enclosure, proceed as follows:

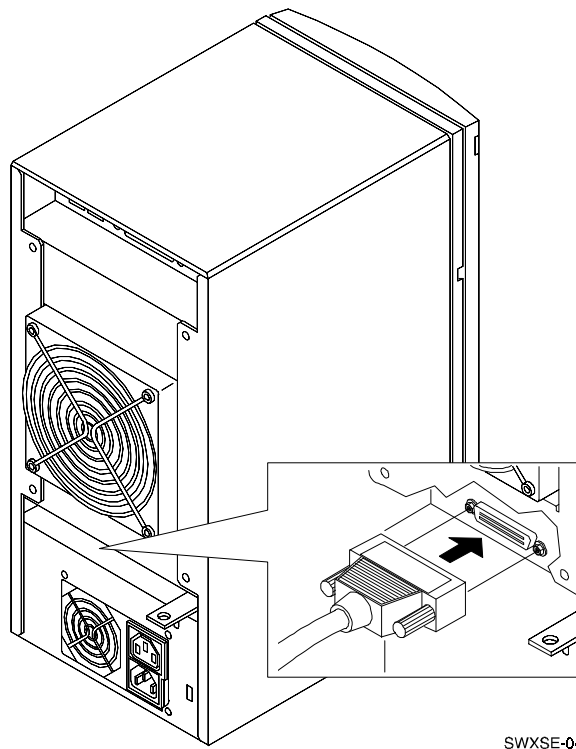
1. Unlock and open the front door of the enclosure and ensure that the power switch is off.
2. Connect the female end of the power cord to the male ac receptacle on the rear panel of the enclosure.
3. Connect the other end of the power cord to an ac power outlet.

2.9.2 SCSI Cable

The expansion enclosure data connection to the host is made through a 68-pin, high density, 1.5 meter SCSI cable (ordered separately). The SCSI cable part number for all platforms (except IBM) is BN31G-1E. The part number of the cable needed to interface with IBM systems is BN31Q-1E. The SCSI cable connection between the enclosure and the host is made as follows:

1. Connect one end of SCSI cable to the SCSI connector on the rear panel of the expansion enclosure as shown in Figure 2–24.
2. Connect the other end to the appropriate SCSI connector on the host system.
3. Secure both connections by tightening the thumb screws on each connector.

Figure 2–24 External SCSI Cable Connection

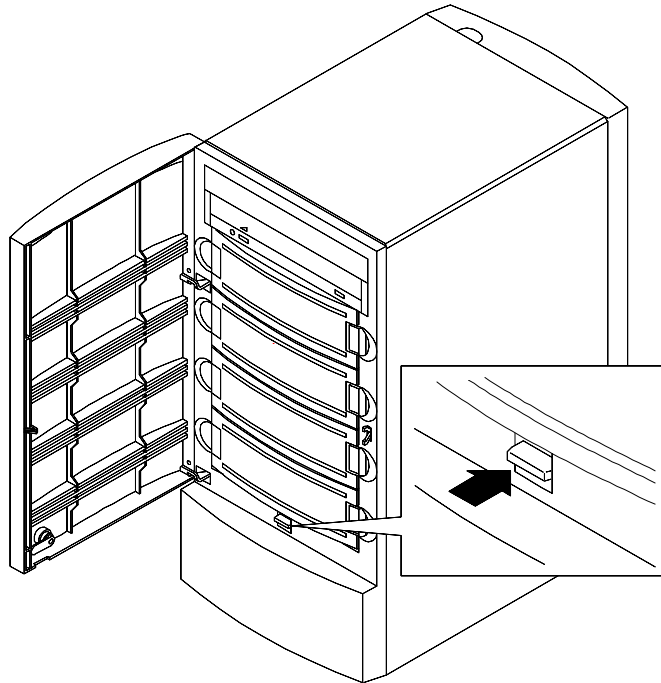


2.10 Power-on Test

Verify the integrity of the connections between the expansion enclosure and the host system as follows:

1. Connect the expansion enclosure power cord to a convenient ac outlet.
2. Ensure the host system is powered on and operating properly.
3. Unlock and open the front door of the expansion enclosure to gain access to the power switch.
4. Press the "push-push" type power switch to *on* (Figure 2–25) and verify the following:
 - Listen for the cooling fans to start up and observe that the SBB device status LEDs flash or are lit continuously
 - Verify that the host system recognizes the installed storage devices

Figure 2–25 Setting SCSI Expansion Enclosure Power Switch to ON



SWXSE-34



Specifications

This appendix describes the physical, electrical, and environmental specifications for the StorageWorks SCSI Desktop Expansion Enclosures. It also lists the regulatory approvals for the unit.

Table A.1 Physical Specifications

Model	Height mm (in)	Width mm (in)	Depth mm (in)
SWXSE-24/26	266 (10.5)	178 (7)	322 (12.67)
SWXSE-25/27	368 (14.5)	178 (7)	322 (12.67)

Table A.2 Electrical Specifications

Model	Specification
SWXSE-24	115 V, 60 Hz
SWXSE-26	230 V, 50 Hz
SWXSE-25	115 V, 60 Hz
SWXSE-27	230 V, 50 Hz

Table A.3 Environmental Specifications

Condition	Specification
Optimum Operating Environment	
Temperature	+18° to +24° C (+65° to +75° F)
Relative humidity	40% to 60% (non condensing) with a step change of 10% or less
Maximum Operating Environment (Range)	
Temperature	+10° to +40° C (+50° to +104° F)

Table A.3 Environmental Specifications (continued)

Condition	Specification
Relative humidity	10% to 90% (non condensing)
Maximum Nonoperating or Storage Environment (Range)	
Temperature	-40° to +66° C (-40° to +151° F)
Relative humidity	8% to 95% (non condensing) in original shipping container

Table A.4 Regulatory Approvals

Model	Regulatory Approval
SWXSE-24/26	FCC-B, UL, CSA, TUV, CE-Mark
SWXSE-25/27	FCC-B, UL, CSA, TUV, CE-Mark

Reader's Comments

Manual Order Number:

EK-SMCPK-UG

SCSI Desktop Expansion Enclosures (SWXSE-24/25/26/27) and Vertical Stacking Kit (SWXSE-28) User's Guide

Digital is committed to providing the best possible products and services. Since our manuals are important components of our products, we value your comments, corrections, and suggestions for improvements. Please take a few minutes to fill out and return this form, attaching additional sheets, if needed. Thank you.

Manual Rating	Excellent	Good	Fair	Poor
Accuracy (correct presentation of facts)	[]	[]	[]	[]
Completeness (adequate information)	[]	[]	[]	[]
Clarity (easy to understand)	[]	[]	[]	[]
Organization (logical sequence of information)	[]	[]	[]	[]
Layout (easy to follow subject matter)	[]	[]	[]	[]
Indexing (easy to locate desired information)	[]	[]	[]	[]

Errors Noted (please include page, paragraph, table or figure number)

Suggestions for Improvement

Return Address: Customer Research Response Center Attn: Nan Andrews Amish Digital Equipment Corporation 334 South Street, SHR3-2/S27 Shrewsbury, MA 01545	<hr/> <small>Name</small> <small>Phone</small> <hr/> <small>Title</small> <hr/> <small>Company</small> <hr/> <small>Street Address</small> <hr/> <small>City State ZIP</small>
--	---

