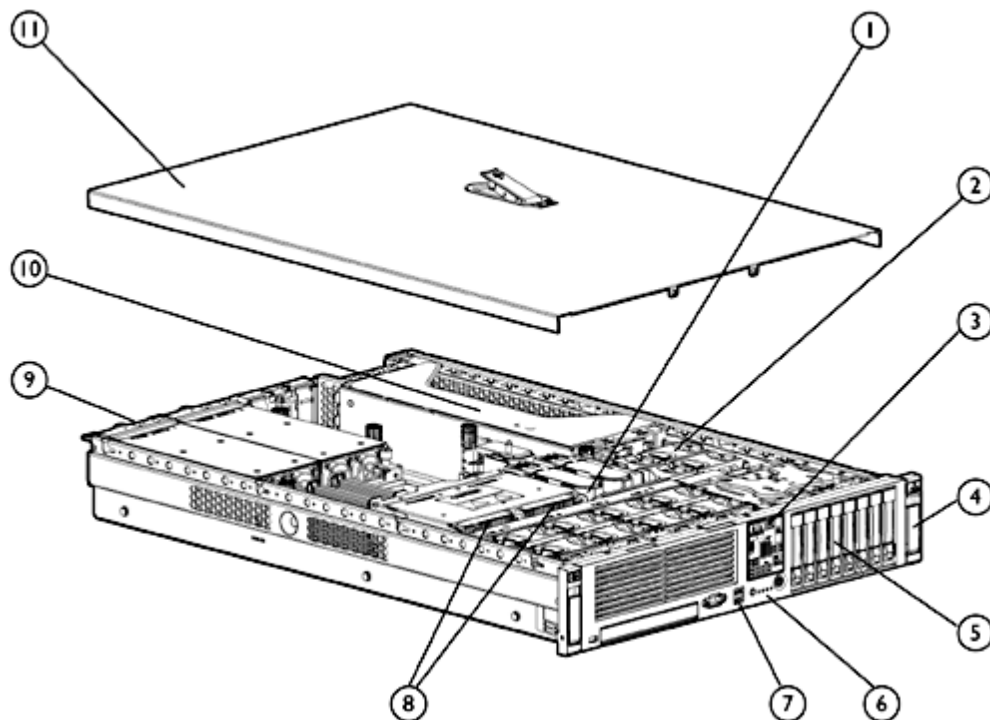


### Overview



1. Eight sockets for PC2-5300 Fully Buffered DIMMs (DDR2-667)

2. Hot-plug fans, full redundancy

3. Systems Insight Display

4. Quick release lever for rapid server access

5. Support for eight Small Form Factor hot plug hard drives bays

6. Front LEDs (show server status) and Unit Identification button/LED (for easy in rack server identification)

7. Two front USB ports (2 rear USB ports, 1 internal USB port)

8. Intel Xeon Processor (Performance models include two processors)

9. Hot plug power supply, redundancy option (High performance models include redundant power supply)

10. Three PCI-E non-hot plug expansion slots (or optional mixed PCI-X/E expansion cage)

11. Quick removal access panel

### What's New

- New Low Voltage Intel Xeon 5148 processors available through Factory Integration.
- Optional 48Volt DC power supply

### Overview

### At A Glance

The HP ProLiant DL380, the world's largest selling server, delivers on its history of design excellence with enterprise-class uptime and manageability, proven 2-way Intel Xeon performance, and 2U density for a variety of rack deployments and applications.

- **Processors:**
  - Dual-Core Intel® Xeon™ processor 5000 and 5100 sequence with 4MB Level 2 cache for blazing performance; systems support up to 2 processors (2 processors standard on all Performance models)
  - Preconfigured Performance models save valuable deployment time at a discounted bundle price
  - Intel 5000P chipset
- **Memory:**
  - Up to 32 GB PC2-5300 Fully Buffered DIMMs (DDR2-667) with 4:1 and 2:1 interleaving available, online spare and mirrored memory capabilities
  - NOTE: Memory DIMMs in systems with the Front Side Bus (FSB) running at 1333 MHz will run at 667 MHz and in systems with a FSB running at 1066 MHz or 667 MHz the memory DIMMs will run at 533 MHz.
- **Storage Controller:**
  - Performance Models: HP Smart Array P400/512MB BBWC Controller (RAID 0/1/5/6)
  - Base Models: HP Smart Array P400/256MB Controller (RAID 0/1/5)
  - Entry Models: HP Smart Array E200/64MB Controller (RAID 0/1)
- **Internal Drive Support:**
  - (8) small form factor (SFF) hot-plug drive bays to support Serial-attached SCSI (SAS) and Serial ATA (SATA) drives
  - Slimline media bay supporting DVD, CD or Floppy drive
- **Network Controller:**
  - Embedded Dual NC373i Multifunction Gigabit Network Adapters with TCP/IP Offload Engine, including support for Accelerated iSCSI and RDMA through optional ProLiant Essentials Licensing Kits
- **Expansion Slots:**
  - Four available PCI-Express slots, optional mixed PCI-X / PCI-Express configurations available
- **USB Ports:**
  - USB 2.0 support
  - 5 total ports: (2) ports up front; (2) ports in back; (1) port internal
- **Redundancy:**
  - Fully redundant hot plug fans
  - Hot plug power supply with optional redundancy (Included in Performance models)
- **Management:**
  - New Integrated Lights-Out 2 featuring Integrated Remote Console with KVM over IP performance over shared network access
  - HP Power Meter and Power Regulator for ProLiant, delivering integrated power monitoring and server level, policy based power management with industry leading energy efficiency and savings on system power and cooling costs.
  - Automatic Server Recovery (ASR), ROM Based Setup Utility (RBSU), HP System Insight Manager, Status LEDs including system health and UID and SmartStart
  - System Insight Display on the front bezel for quick and easy server diagnostics
- **Form Factor:**
  - Rack (2U), (3.5-inch); Depth 26 inches (66 cm)
- **Deployment/Serviceability:**
  - Quick Deploy Rail System includes sliding universal rails, an ambidextrous cable management arm and quick release levers for fast and easy serviceability
  - Tool-less access to all system components for easy in rack serviceability
- **Warranty:**
  - Protected by HP Services and a worldwide network of resellers and service providers. Three-year Next Business Day, on-site limited global warranty. Certain restrictions and exclusions apply. Pre-Failure Notification on processors, memory, and SCSI hard drives. SATA hard drives have a one-year warranty.

### Standard Features

**NOTE:** For the Standard Features shipped in the "Factory Integrated Models", please see the "Configuration Information - Factory Integrated Models" section.

<b>Processor</b>	Dual-Core Intel Xeon Processor 5160 (3.0 GHz, 80 Watts, 1333 Front Side Bus (FSB))
One of the following depending on Model	Dual-Core Intel Xeon Processor 5150 (2.67 GHz, 65 Watts, 1333 FSB)
	Dual-Core Intel Xeon Processor 5148 (2.4 GHz, 40 Watts, 1333 FSB, Mid Voltage)
	Dual-Core Intel Xeon Processor 5140 (2.33 GHz, 65 Watts, 1333 FSB)
	Dual-Core Intel Xeon Processor 5130 (2.0 GHz, 65 Watts, 1333 FSB)
	Dual-Core Intel Xeon Processor 5120 (1.86 GHz, 65 Watts, 1066 FSB)
	Dual-Core Intel Xeon Processor 5110 (1.6 GHz, 65 Watts, 1066 FSB)
	Dual-Core Intel Xeon Processor 5080 (3.73GHz, 130 Watts, 1066 FSB)
	Dual-Core Intel Xeon Processor 5060 (3.2GHz, 130 Watts, 1066 FSB)
	Dual-Core Intel Xeon Processor 5050 (3.0 GHz, 95 Watts, 667 FSB)

**NOTE:** Intel Xeon processor 5100/5000 sequence are 64-bit, Dual-Core, and Intel VT technology.

**NOTE:** Up to 2 processors supported. Performance configurations include two processors.

<b>Cache Memory</b>	4MB (2 x 2MB) Level 2 cache (5000 sequence)
One of the following depending on Model	4MB (1 x 4MB) Level 2 cache (5100 sequence)

<b>Chipset</b>	Intel 5000P Chipset
	<b>NOTE:</b> For more information regarding Intel chipsets, please see the following URL: <a href="http://www.intel.com/products/server/chipsets/">http://www.intel.com/products/server/chipsets/</a> .

<b>Upgradeability</b>	Upgradeable to 2 processors
-----------------------	-----------------------------

<b>Memory Protection</b>	Advanced ECC (multi-bit error protection), Online Spare, Mirroring 4-way Interleaving
--------------------------	--

<b>Memory</b>	Type	PC2-5300 Fully Buffered DIMMs (DDR2-667) with 4:1 and 2:1 interleaving available (interleaving requires identical DIMMs)
	Standard (Entry Models)	1 GB (2 x 512 MB)
	Standard (Base Models)	2 GB (2 x 1 GB)
	Standard (Performance Models)	4 GB (4 x 1 GB)
	Maximum	32 GB (8 x 4 GB)

**NOTE:** Memory DIMMs in systems with the Front Side Bus (FSB) running at 1333 MHz will run at 667 MHz and in systems with a FSB running at 1066 MHz or 667 MHz the memory DIMMs will run at 533 MHz.

### Standard Features

**Network Controller** Embedded Dual NC373i Multifunction Gigabit Network Adapters with TCP/IP Offload Engine, including support for Accelerated iSCSI and RDMA through optional ProLiant Essentials Licensing Kits

#### Expansion Slots

Embedded Slots	Slot Number	Bus Speed*	Bus Number**	Device Number***	Hot Plug	PCI Voltage
	1	x4 PCIe	6	0	no	N/A
	2	x4 PCIe	11	0	no	N/A

**NOTE:** The Smart Array P400 Controller with 256MB Cache (SAS Controller) is installed in Slot 1.

#### PCIe Riser

Slot Number	Bus Speed*	Bus Number**	Device Number***	Hot Plug	PCI Voltage
3	x4 PCIe	14	0	no	N/A
4	x8 PCIe	23	0	no	N/A
5	x8 PCIe	19	0	no	N/A

#### PCIe/PCI-X Riser (Optional)

Slot Number	Bus Speed*	Bus Number**	Device Number***	Hot Plug	PCI Voltage
3	x8 PCIe	23	0	no	N/A
4	64-bit/133MHz PCI-X	18	1	no	3.3 Volt
5	64-bit/133MHz PCI-X	18	2	no	3.3 Volt

**NOTE:** PCIe slots are standard.

**\*NOTE:** x4 slots support x8 cards, but will run at x4 speeds. x8 slots supports x16 cards, but will run at x8 speeds.

**\*\*NOTE:** Default bus assignment. Inserting cards with PCI bridges may alter the actual bus assignment number.

**\*\*\*NOTE:** Slots are enumerated differently based on OS. MS OS's enumerate from lowest to highest Device ID by bus (starting with the lowest bus).

#### Storage Controller One of the following depending on Model

**Performance Models:** HP Smart Array P400/512MB BBWC Controller (RAID 0/1/5/6)  
**Base Models:** HP Smart Array P400/256MB Controller (RAID 0/1/5)  
**Available upgrades:** 512MB memory module for RAID 0/1/5/6, battery for battery-backed write cache (BBWC).  
**Entry Models:** HP Smart Array E200/64MB Controller (RAID 0/1)  
**Available upgrades:** 128MB memory module for RAID 0/1/5, battery for battery-backed write cache (BBWC).

#### Storage

Diskette Drive None Standard  
 Optical Drive None Standard  
 One of the following depending on Model IDE DVD-ROM/CDRW Combo included on Performance models  
 Hard Drives None Standard

### Standard Features

Maximum Internal Storage	Hot Plug SAS	1.168TB	8 x 146GB with standard internal hot plug SFF SAS drive cage
--------------------------	--------------	---------	--

Remote Management	Integrated Lights Out 2 (iLO 2) Standard Management: <ul style="list-style-type: none"><li>• Virtual Text Remote Console</li><li>• Virtual Power Button Control</li><li>• Integrated Remote Console</li><li>• Dedicated &amp; full function shared network connectivity</li><li>• Embedded system health</li><li>• Browser, command line and scripted access</li><li>• Automatic IP Configuration via DHCP/DNS/WINS</li><li>• Industry Standard 128-bit Secure Sockets Layer (SSL) and Secure Shell security (SSH)</li><li>• OS independent hardware health status</li><li>• IML and iLO Event Logging</li><li>• Support for 12 user accounts with customizable access privilege</li></ul>
-------------------	--

Intelligent Manageability	HP Systems Insight Manager SmartStart Management Agent Redundant ROM Remote Flash ROM ROM-Based Setup Utility (RBSU) Integrated Management Log Automatic Server Recovery (ASR) Dynamic Sector Repairing (with Smart Array controller) Drive Parameter Tracking (with Smart Array controller) Hot Spare Boot <b>NOTE:</b> Upon the event of a failed processor in a multi-processing environment, the system will automatically reboot and attempt to use the remaining good processor. Pre-Failure Warranty (covers processors, SAS hard drives and memory)
---------------------------	---

Interfaces	Serial	1
	Pointing Device (Mouse)	1
	Graphics	1
	Keyboard	1
	VGA	2 (1 front, 1 back)
	Network RJ-45	2
	iLO 2 remote management port	1
	USB 2.0 Ports	5 total: 2 front, 2 back, 1 internal
		<b>NOTE:</b> Please see the following URL for additional information regarding USB support: <a href="http://h18004.www1.hp.com/products/servers/platforms/usb-support.html">http://h18004.www1.hp.com/products/servers/platforms/usb-support.html</a> .

### Standard Features

**Graphics** Integrated ATI ES1000 1280 x 1024 x 16M color (32MB video standard)

---

**Form Factor** Rack (2U); Height 3.38-inch (8.59 cm); Depth: 26 inches (66 cm)

---

#### ProLiant Essentials Foundation Pack Software

HP Systems Insight Manager

HP Systems Insight Manager (HP SIM) provides a unified, secure and extensible environment to centrally manage servers, storage and other infrastructure devices across multiple operating system platforms.

Through a single management view, HP SIM provides core management services that include device discovery and identification, event views, health monitoring, inventory data collection, software version control and reporting. HP SIM is built on industry standards and is extensible with value-added ProLiant Essentials, Integrity Essentials and Storage Essentials software to meet individual management needs. For more details on HP SIM visit <http://www.hp.com/go/hpsim>.

HP SIM provides organizations with the following benefits:

- Simplifies and consolidates infrastructure lifecycle management using task and query based functionality
- Provides the foundation for infrastructure automation and virtualization
- Enables IT management based on business processes not hardware platforms
- Lowers infrastructure maintenance cost and frees resources for innovation
- Maximizes resource utilization with virtualization technologies
- Provides a central point of integration between infrastructure and Enterprise management tools such as HP OpenView

SmartStart

SmartStart simplifies server setup by providing a quick, easy way to deploy reliable and consistent server configurations. For more information, please visit the SmartStart Web site at <http://www.hp.com/servers/manage>.  
SmartStart version supported (minimum): SmartStart 7.51

Insight Management Agents

Insight Management Agents should be installed on all HP servers to present system instrumentation, health and configuration information into HP Systems Insight Manager and the HP System Management Homepage. The HP System Management Homepage aggregates systems data from Insight Management Agents and other HP management tools, providing a consolidated browser-based interface for managing individual servers,

Insight Management Agents and The HP System Management Homepage are included on ProLiant Support Packs, and can also be installed using the server profiles provided with the ProLiant Essentials Rapid Deployment Pack. For additional information about the Management Agents and the HP System Management Homepage please visit the management Web site at <http://www.hp.com/servers/manage>.

### Standard Features

Subscriber's Choice	Subscriber's Choice Driver and Support Alerts/Notifications is a web-based email subscription service that provides automatic delivery of software and driver change notifications for ProLiant products. Sign up at <a href="http://www.hp.com/go/subscriberschoice">http://www.hp.com/go/subscriberschoice</a> and customize your profile to receive alerts on updates as they become available.
ROMPaq, support software, and configuration utilities	The latest software, drivers, and firmware fully optimized and tested for your ProLiant server and options Available in SmartStart or downloadable from the Software and Drivers download pages at <a href="http://www.hp.com/go/support">http://www.hp.com/go/support</a> .
Insight Diagnostics	The most advanced configuration analysis, reporting and troubleshooting utilities used by HP and at your fingertips, available in SmartStart.
Optional ProLiant Essentials Value Packs	Optional software offerings that extend the functionality of an Adaptive Infrastructure to address specific business problems and needs: <ul style="list-style-type: none"><li>• Rapid Deployment Pack (RDP) is an automated deployment and provisioning solution for all ProLiant servers. RDP includes the ProLiant Integration Module featuring ProLiant server pre-configured events for OS installation, and optimized software drivers, firmware and management agents. Every RDP disc includes 7-day, 10-node trial licenses for evaluation purposes. RDP requires a license for each server deployed and is available for purchase with HP servers. For more information, visit: <a href="http://www.hp.com/servers/rdp">http://www.hp.com/servers/rdp</a>.</li><li>• Workload Management Pack - provides easier management of complex environments, improving overall server utilization and enabling Windows 2000 customers for the first time to confidently deploy multiple applications on a single multiprocessor ProLiant Server.</li><li>• Integrated Lights-Out Advanced Pack - upgrades the iLO 2 processor with comprehensive remote control including Virtual KVM graphical console, virtual media, power management and enterprise security.</li><li>• Integrated Lights-Out Select Pack - upgrades the iLO 2 processor with virtual media, power management and enterprise security for text console environments.</li><li>• Performance Management Pack - a performance management solution that identifies and explains hardware performance bottlenecks on ProLiant servers and attached options enabling users to better utilize their valuable resources.</li><li>• Intelligent Networking Pack - detects and analyzes network bottlenecks or broken network linkages and steers traffic to the optimum route based on network conditions, plus it provides an extra layer of protection. The virus throttle feature of the solution slows the propagation of fast spreading virus.</li><li>• Vulnerability and Patch Management Pack - identifies and remediates software security vulnerabilities due to missing patches as well operating system configurations that can be exploited by viruses, worms, and other blended threats.</li><li>• Virtual Machine Management Pack - provides central management and control of virtual machines from Microsoft and VMware. Integrated approach provides the ability to manage both physical and virtual resources from a single management console.</li><li>• Server Migration Pack - The Server Migration Pack automates the</li></ul>

### Standard Features

manual processes required for migrating servers between physical or virtual platforms (P2V, V2P, and V2V).

- Server Migration Pack - P2P Edition: Upgrading or replacing your existing server? Effortlessly transition to new servers with automated, accurate and affordable migration of OS, application and data.
- Accelerated iSCSI Pack - enables the embedded Multifunction network controller to serve as both a NIC and an iSCSI HBA providing access to SAN storage over the same connection used for networking. Processing of the protocol stack is offloaded to the NIC reducing CPU utilization and greatly improving the speed with which the requests are processed and sent to the network.
- Remote Directory Memory Access (RDMA) Pack for Embedded Multifunction Gigabit Server Adapters - provides direct and faster communication between application buffers in separate servers for tasks that involves moving large amounts of data, such as network backups, database read/write, and high performance computing.

**NOTE:** Flexible and volume quantity license kits are available for ProLiant Essentials Value Packs. Refer to <http://www.hp.com/servers/proliantessentials> or the various ProLiant Essentials Value Pack product QuickSpecs for more information.

**NOTE:** For more information regarding ProLiant Essentials Software, please see the following URL: <http://www.hp.com/servers/proliantessentials>.

---

#### Industry Standard Compliance

ACPI 2.0 Compliant  
PCI 2.2 Compliant  
WOL Support  
Microsoft® Logo certifications  
USB 2.0 Support

---

#### Security

Power-on password  
Keyboard password  
Diskette drive control  
Diskette boot control  
QuickLock, Network Server Mode  
Parallel and serial interface control  
Administrator's password  
Disk configuration lock

---

#### Server Power Cords

High voltage power cord ships standard with all part numbers. Localized cables included with geographic specific models in other world regions.

---

#### UPS and PDU Power Cord Matrix

Please see the UPS and PDU cable matrix that lists cable descriptions, requirements, and specifications for UPS and PDU units:  
<ftp://ftp.compaq.com/pub/products/servers/ProLiantstorage/power-protection/powercordmatrix.pdf>.

---

#### Power Supply

800 Watt, CE Mark Compliant  
Optional Hot Plug AC Redundant Power Supply

---



### Standard Features

**System Fans** 12 hot plug fans ship standard, fully redundant

---

**Required Cabling** For required cabling information, refer to the Web site at:  
<http://h18000.www1.hp.com/products/servers/proliantDL380/>.

---

**OS Support** Microsoft Windows Server 2000  
Microsoft Windows Server 2003  
Novell NetWare  
LINUX (Red Hat, SuSE)  
SCO UnixWare, OpenServer  
VMware Virtualization Software  
Solaris 10 32/64-bit

**NOTE:** For more complete and up-to-date information on how to buy server operating systems from HP please visit the OS product site at: <http://h18004.www1.hp.com/products/servers/software/OEM.html>.

**NOTE:** For a more complete and up-to-date listing of supported OSs and versions, please visit our OS Support Matrix at: <http://www.hp.com/go/supportos>.

**NOTE:** For an up-to-date listing of the latest drivers available for the HP ProLiant DL380 G5, please see: <http://h18023.www1.hp.com/support/files/server/us/index.html>.

**NOTE:** For a more complete and up-to-date information on Linux support, please visit HP Linux Web site at: <http://h18000.www1.hp.com/products/servers/linux/hpLinuxcert.html>.

**NOTE:** For more information on HP's Certified and Supported ProLiant Servers, please visit the VMware Server Support Matrix at:

<http://h18004.www1.hp.com/products/servers/software/vmware/hpvmwarecert.html>.

---

### Rack Airflow Requirements

#### Rack 10000 series Cabinets

The increasing power of new high-performance processor technology requires increased cooling efficiency for rack-mounted servers. The 10000 Series Racks provide enhanced airflow for maximum cooling, allowing these racks to be fully loaded with servers using the latest processors.

**CAUTION:** If a third-party rack is used, observe the following additional requirements to ensure adequate airflow and to prevent damage to the equipment:

- Front and rear doors: If your 42U server rack includes closing front and rear doors, you must allow 830 square inches (5,350 sq cm) of hole evenly distributed from top to bottom to permit adequate airflow (equivalent to the required 64 percent open area for ventilation).
- Side: The clearance between the installed rack component and the side panels of the rack must be a minimum of 2.75 inches (7 cm).

**CAUTION:** Always use blanking panels to fill all remaining empty front panel U-spaces in the rack. This arrangement ensures proper airflow. Using a rack without blanking panels results in improper cooling that can lead to thermal damage.

**NOTE:** For additional information, refer to the Setup and Installation Guide or the Documentation CD provided with the server, or to the server documentation located in the Support section at the following URL: <http://h18000.www1.hp.com/products/servers/proliantdl380/index.html>.

---

### Standard Features

<b>Rack Kit</b>	<p>The HP ProLiant DL380 quick deploy rail system provides tool-free support for racks with square or round mounting holes (including Compaq/HP 7000*, 9000, 10000 and HP series), with an adjustment range of 24" - 36". The ambidextrous cable management arm can be mounted on either the left or right side for improved cable management.</p> <p><b>NOTE:</b> Cable management arm must be removed to access hot-plug power supplies when the cable management arm is mounted on the right.</p> <p><b>*NOTE:</b> High Airflow Inserts (High Air Flow Rack Door Insert for the 7142 Rack (single) - PN: 327281-B21 ; or High Air Flow Rack Door Insert for the 7142 Rack (6-pack) - PN: 327281-B22) are required to support the HP ProLiant DL380 G5 in 7000 series racks. The DL380 G5 Cable Management Arm is not supported on 7000 series racks.</p>
<b>Telco Rack Support</b>	<p>DL380 G5 Telco Rack Kit: Support for all 2-post Telco racks requires the use of the standard rack kit and an additional option kit from Rack Solutions (<a href="http://www.racksolutions.com/hp/">http://www.racksolutions.com/hp/</a>)</p>
<b>Factory Express Portfolio for Servers and Storage</b>	<p>HP Factory Express offers configuration, customization, integration and deployment services for HP servers and storage products. Customers can choose how their factory solutions are built, tested, integrated, shipped and deployed.</p> <p>Factory Express offers service packages for simple configuration, racking, installation, complex configuration and design services as well as individual factory services, such as image loading, asset tagging, and custom packaging. HP products supported through Factory Express include a wide array of servers and storage: HP Integrity, HP ProLiant, HP ProLiant Server Blades, HP BladeSystem, HP 9000 servers as well as the MSA1000, VA7xxx, EVA, XP, rackable tape libraries and configurable network switches.</p> <p>For more information on Factory Express services for your specific server model please contact your sales representative or go to <a href="http://www.hp.com/go/factory-express">http://www.hp.com/go/factory-express</a>.</p>
<b>HP Enterprise Configurator</b>	<p>The HP eCo-Enterprise Configurator now provides factory default racking for our HP hardware portfolio. This approach is aligned with our strategic direction to meet the needs and expectations of our valued customers. If you require "custom" rack configuration, please contact HP's Customer Business Center or an Authorized Partner for assistance.</p> <p><a href="http://www.hp.com/products/configurator">http://www.hp.com/products/configurator</a>.</p>
<b>RoHS Compliant</b>	<p>For Resellers in countries/regions with RoHS legislation (see NOTE) (e.g. EU, China, etc.) The use of the noted material in a solution and subsequent resale of that solution will result in the solution no longer meeting the requirements of RoHS legislation.</p> <p><b>NOTE:</b> Directive 2002/95/EC restricts the use of lead, mercury, cadmium, hexavalent chromium, PBBs and PBDEs in electronic products. Countries/regions outside the EU, eg. China, are introducing similar legislation. References to 'RoHS legislation' means requirements of Directive 2002/95/EC or to similar substance restriction legislation enacted by any country/region outside the EU.</p>

### Standard Features

#### Service and Support

This product is covered by a global limited warranty and supported by HP Services and a worldwide network of resellers and service providers. Hardware diagnostic support and repair is available for three years from date of purchase. Support for software and initial setup is available for 90 days from date of purchase. Additional support may be covered under the warranty or available for an additional fee. Enhancements to warranty services are available through HP Care Pack services or customized service agreements.

**NOTE:** Server Warranty includes 3 year Parts, 3 year Labor, 3-year on-site support. Additional information regarding worldwide limited warranty and technical support is available at: <http://h18004.www1.hp.com/products/servers/platforms/warranty/index.html>

HP Care Pack services include coverage for the HP branded hardware options qualified for the server, purchased at the same time or afterward, internal to the enclosure, as well as 22" and smaller external monitors and tower UPS options up to 3kVA; these items will be covered at the same service level and for the same coverage period as the server. Coverage of UPS Battery is not included, standard warranty terms & conditions apply. For servers or storage systems installed within a rack, service also covers all HP qualified rack options installed within the same rack.

HP services provide continuous care and support expertise with committed response designed to meet your IT and business needs.

To fully capitalizing on your HP ProLiant servers' capabilities requires a service partner who thoroughly understands your server technology and systems environment. HP Services, an industry leader in provision of multi vender support solutions provides a range of support services designed to meet the varying needs of business. Whether an SMB or large global corporation HP has a ProLiant server support offer to help you speedily deploy and maximize system uptime.

Enhanced Care - Minimum recommended service support offer designed to ensure customers have access to expert assistance, whenever they need it.

*4-Hour On-site Service, 7-Day x 24-Hour Coverage, 3 Years*

Continuance Care - Recommended service delivering cost-effective support options designed to extend HP Services committed response and guaranteed fix times, designed to speed problem identification and resolution.

*6-Hour Call to Repair, On-site Service, 7-Day x 24-Hour Coverage, 3 Years*

Total Care - Highest HP Support service level recommend to help increase IT performance and availability with comprehensive, integrated hardware and software services

*Support Plus 24 - Onsite HW support 24x7, 4hr response and Microsoft O/S SW Tech support offsite, onsite at HP's discretion, 24x7 2hr response time incl. HP holidays*

Deployment Services - HP Installation and Start Up services designed to take time, risk, and worry out of the deployment of ProLiant servers - and free customers IT support staff to focus on what they do best, their business.

*Installation & Start-Up of a ProLiant server and Microsoft or Linux O/S per the Customer Description and/or Data Sheet. To be delivered on a scheduled basis 8am-5pm, M-F, excl. HP holidays*

**NOTE:** For a complete listing of service offerings and information visit: <http://www.hp.com/services/proliantservices>  
<http://www.hp.com/go/proliant/carepack>

## HPC Interconnects

**NOTE:** High Performance Computing (HPC) interconnect technologies are available for the DL380 under the Cluster Platform product portfolio. These high-speed interconnects are fully supported by HP when they are part of these configure to order clusters. Solutions can be defined with a lot of flexibility with the help of configuration tools. Please visit the following URL to configure HPC Clusters with InfiniBand, Gigabit Ethernet or Myrinet Interconnects: <http://www.hp.com/techservers/clusters/ucp/index.html>

---

HPC Interconnect	InfiniBand	PCI-X and PCI-Express adapters
	Gigabit Ethernet	Use embedded ports
	Myrinet XP	PCI-X Rev D and Rev E adapters

### Models

<p><b>HP DL380 G5 Performance Models</b></p> <p><b>HP DL380G5 5160 4G HPM</b> 418315-xx1</p> <p><b>HP DL380G5 5150 4G HPM</b> 418314-xx1</p>	<p><b>Processor(s)</b> <a href="#">Two of the following depending on Model</a></p> <p><b>Cache Memory</b></p> <p><b>Memory</b></p> <p><b>Network Controller</b></p> <p><b>Storage Controller</b></p> <p><b>Hard Drive</b></p> <p><b>Internal Storage</b></p> <p><b>Optical Drive</b></p> <p><b>Form Factor</b></p> <p><b>Availability</b></p>	<p>(2) Dual-Core Intel Xeon 5160 Processors (3.00 GHz, 80 Watt, 1333 FSB) (2) Dual-Core Intel Xeon 5150 Processors (2.67 GHz, 65 Watt, 1333 FSB)</p> <p>4MB (1 x 4MB) Level 2 cache - Intel Xeon processor 5100 sequence</p> <p>4 GB (4 x 1 GB of 4:1 interleaved PC2-5300 Fully Buffered DIMMs (DDR2-667) with Advanced ECC, mirrored and online spare memory capabilities</p> <p>Embedded Dual NC373i Multifunction Gigabit NICs</p> <p>HP Smart Array P400/512MB BBWC Controller (RAID 0/1/5/6)</p> <p>None ship standard</p> <p>1.168TB (with optional hard drives)</p> <p>IDE DVD-ROM/CDRW combo</p> <p>Rack (2U), Height 3.38-inch/8.59cm; Depth: 26 inches (66 cm)</p> <p>Hot Plug Fully Redundant Fans and Power Supplies</p>
--	---	---

<p><b>HP DL380 G5 Base Models</b></p> <p><b>HP DL380G5 5160 2G</b> 417458-xx1</p> <p><b>HP DL380G5 5150 2G</b> 417457-xx1</p> <p><b>HP DL380G5 5140 2G</b> 417456-xx1</p> <p><b>HP DL380G5 5130 2G</b> 417455-xx1</p> <p><b>HP DL380G5 5060 2G</b> 397307-xx1</p>	<p><b>Processor(s)</b> <a href="#">One of the following depending on Model</a></p> <p><b>Cache Memory</b> <a href="#">One of the following depending on Model</a></p> <p><b>Memory</b></p> <p><b>Network Controller</b></p> <p><b>Storage Controller</b></p> <p><b>Hard Drive</b></p> <p><b>Internal Storage</b></p> <p><b>Optical Drive</b></p> <p><b>Form Factor</b></p> <p><b>Availability</b></p>	<p>(1) Dual-Core Intel Xeon 5160 Processors (3.00 GHz, 80 Watt, 1333 FSB) (1) Dual-Core Intel Xeon 5150 Processors (2.67 GHz, 65 Watt, 1333 FSB) (1) Dual-Core Intel Xeon 5140 Processor (2.33 GHz, 65 Watt, 1333 FSB) (1) Dual-Core Intel Xeon 5130 Processor (2.0 GHz, 65 Watt, 1333 FSB) (1) Dual-Core Intel Xeon 5060 Processor (3.2 GHz, 130 Watt, 1066 FSB)</p> <p>4MB (1 x 4MB) Level 2 cache - Intel Xeon processor 5100 sequence 4MB (2 x 2MB) Level 2 cache - Intel Xeon processor 5000 sequence</p> <p>2 GB (2 x 1 GB) PC2-5300 Fully Buffered DIMMs (DDR2-667) with Advanced ECC, mirrored and online spare memory capabilities</p> <p>Embedded Dual NC373i Multifunction Gigabit NICs</p> <p>HP Smart Array P400/256MB Controller (RAID 0/1/5)</p> <p>None ship standard</p> <p>1.168TB (with optional hard drives)</p> <p>Optional DVD, DVD/CD-RW combo, DVD+R/RW or floppy drive</p> <p>Rack (2U), Height 3.38-inch/8.59cm; Depth: 26 inches (66 cm)</p> <p>Hot Plug Fully Redundant Fans Standard</p>
---	---	---

### Models

<p><b>HP DL380 G5 Entry Models</b></p> <p><b>HP DL380G5 5120 1G</b> 417454-xx1</p> <p><b>HP DL380G5 5110 1G</b> 417453-xx1</p>	<p><b>Processor(s)</b> <a href="#">One of the following depending on Model</a></p> <p><b>Cache Memory</b></p> <p><b>Memory</b></p> <p><b>Network Controller</b></p> <p><b>Storage Controller</b></p> <p><b>Hard Drive</b></p> <p><b>Internal Storage</b></p> <p><b>Optical Drive</b></p> <p><b>Form Factor</b></p> <p><b>Availability</b></p>	<p>(1) Dual-Core Intel Xeon 5120 Processor (1.87 GHz, 65 Watt, 1066 FSB)</p> <p>(1) Dual-Core Intel Xeon 5110 Processor (1.60 GHz, 65 Watt, 1066 FSB)</p> <p>4MB (1 x 4MB) Level 2 cache - Intel Xeon processor 5100 sequence</p> <p>1 GB (2 x 512 MB) PC2-5300 Fully Buffered DIMMs (DDR2-667) with Advanced ECC, mirrored and online spare memory capabilities</p> <p>Embedded Dual NC373i Multifunction Gigabit NICs</p> <p>HP Smart Array E200/64MB Controller (RAID 0/1)</p> <p>None ship standard</p> <p>1.168TB (with optional hard drives)</p> <p>Optional DVD, DVD/CD-RW combo, DVD+R/RW or floppy drive</p> <p>Rack (2U), Height 3.38-inch/8.59cm; Depth: 26 inches (66 cm)</p> <p>Hot Plug Fully Redundant Fans Standard</p>
--	---	---

<b>Country Code Key</b>	<p>XX=00</p> <p>XX=20</p> <p>XX=29</p> <p>XX=37</p> <p>XX=42</p> <p>XX=AA</p>	<p>U.S.</p> <p>Brazil</p> <p>Japan</p> <p>APD</p> <p>Euro</p> <p>PRC</p>
-------------------------	---	--

### Configuration Information - Factory Integrated Models (North America only)

**NOTE:** For Configure to Order requirements within EMEA region, please consult local Sales Contact.

**NOTE:** HP does not allow factory integration of options into standard models listed above.

Configure-to-order servers must start with a CTO Chassis.

**NOTE:** This product offering does not support HP Factory Express Server Configuration Level 1.

**NOTE:** FIO indicates that this option only available as a Factory Installable Option.

### Step 1: Base Configuration (choose one of the following configurable models)

Models	HP ProLiant DL380G5 Rack Chassis	391835-B21
	<b>Factory Integrated Model ships with:</b>	
	(8) SFF Serial Attached SCSI (SAS) Drive Bays	
	Embedded Dual NC373i Multifunction Gigabit NICs	
	PCI-Express Riser Cage	
	800 Watt hot plug power supply, CE Mark Compliant	
	One IEC Power cord	
	12 hot plug fans (fully redundant)	
	Rack (2U), (3.5-inch)	

### Step 1A: Choose SAS Controller (must choose only one of the following)

SAS Controllers	P400/256 for DL380 G5/ DL385 G2 FIO	405160-B21
	<b>NOTE:</b> PCI Express	
	P400/512 BBWC for DL380 G5/ DL385 G2 FIO	405162-B21
	<b>NOTE:</b> PCI Express	
	HP Smart Array E200/64MB Controller	409180-B21
	<b>NOTE:</b> PCI Express	
	HP Smart Array E200/128 BBWC Controller	411508-B21
	<b>NOTE:</b> PCI Express	
	HP Smart Array P600/256 BBWC Controller	337972-B21
	<b>NOTE:</b> PCI-X. SA-P600 Controller supports both internal and external drives.	

### Step 2: Choose Required Options (only one of the following from each list unless otherwise noted)

Processors	HP X5160 DL380G5 FIO Kit	418324-L21
	HP X5150 DL380G5 FIO Kit	418323-L21
	HP X5148 DL380G5 FIO Kit	432333-L21
	HP X5140 DL380G5 FIO Kit	418322-L21
	HP X5130 DL380G5 FIO Kit	418321-L21
	HP X5120 DL380G5 FIO Kit	418320-L21
	HP X5110 DL380G5 FIO Kit	418319-L21
	HP X5080 DL380G5 FIO Kit	412967-L21
	HP X5060 DL380G5 FIO Kit	397328-L21
	HP X5050 DL380G5 FIO Kit	397326-L21
Base Memory	1 GB FBD PC2-5300 2 x 512 MB Kit	397409-B21
	2 GB FBD PC2-5300 2 x 1 GB Kit	397411-B21
	4 GB FBD PC2-5300 2 x 2 GB Kit	397413-B21
	8 GB FBD PC2-5300 2 x 4 GB Kit	397415-B21

### Configuration Information - Factory Integrated Models (North America only)

---

#### Step 3: Choose Additional Options for Factory Integration

Optical Drive	Slimline Ejectable Floppy drive	390164-B21
	HP DVD±R/RW 8X Slim	383975-B21
	Slimline DVD-ROM Drive (8x/24x) Option Kit	264007-B21
	Slimline CD-RW/DVD-ROM Combo Option Kit	331903-B21
Performance Packs	The HP ProLiant DL380 G5 performance packs are necessary to configure a HP ProLiant DL380 G5 Performance Model. HP ProLiant DL380 G5 Performance model includes the latest performance technologies and enterprise class availability features pre-installed for convenience and value. The performance pack includes a 2nd processor and a redundant power supply.	
	HP DL380G5 X5160 HPM FIO Perf Pack	419812-B21
	HP DL380G5 X5150 HPM FIO Perf Pack	419811-B21

---

#### Step 4: Choose Additional Options for Factory Integration

**NOTE:** For additional options, please refer to the "Options" section below.



### Options

**NOTE:** Some options may not be integrated at the factory. Contact your local sales representative for additional information.

HP ProLiant DL380 G5 Mixed Riser Cage Option Kit (PCI-E/PCI-X) 410570-B21  
 Unique Options

ProLiant Essentials Value Pack Software	<p><b>ProLiant Essentials Integrated Lights-Out Advanced Pack</b>          ProLiant Essentials Integrated Lights-Out Advanced Pack, 1 server License  <b>Featuring:</b> sophisticated virtual administration features for ultimate control of servers in the data centers and remote sites.  <b>NOTE:</b> For additional ProLiant Integrated Light-Out Advanced Pack License Kits please see the QuickSpecs at:  <a href="http://h18000.www1.hp.com/products/quickspecs/11052_div/11052_div.HTML">http://h18000.www1.hp.com/products/quickspecs/11052_div/11052_div.HTML</a></p>	263825-B21
	<p><b>ProLiant Essentials Integrated Lights-Out Select Pack</b>          ProLiant Essentials Integrated Lights-Out Select Pack, 1 server License  <b>Featuring:</b> sophisticated remote control and security features for HP BladeSystem servers and ProLiant ML/DL servers in text console environments.  <b>NOTE:</b> For additional ProLiant Integrated Light-Out Select Pack License Kits please see the QuickSpecs at:  <a href="http://h18000.www1.hp.com/products/quickspecs/12362_div/12362_div.HTML">http://h18000.www1.hp.com/products/quickspecs/12362_div/12362_div.HTML</a></p>	413119-B21
	<p><b>ProLiant Essentials Intelligent Networking Pack</b>          ProLiant Essentials Intelligent Networking Pack - Windows Edition, Single Server License  <b>NOTE:</b> For use with a single server. Contains one license with a unique license activation key and documentation.  <b>NOTE:</b> For additional ProLiant Intelligent Networking Pack - Windows License Kits please see the QuickSpecs at:  <a href="http://h18000.www1.hp.com/products/quickspecs/12062_div/12062_div.HTML">http://h18000.www1.hp.com/products/quickspecs/12062_div/12062_div.HTML</a></p>	372906-B21
	<p>ProLiant Essentials Intelligent Networking Pack - Linux Edition, Single Server License  <b>NOTE:</b> For additional ProLiant Intelligent Networking Pack - Linux License Kits please see the QuickSpecs at:  <a href="http://h18000.www1.hp.com/products/quickspecs/12327_div/12327_div.HTML">http://h18000.www1.hp.com/products/quickspecs/12327_div/12327_div.HTML</a></p>	397004-B21
	<p><b>ProLiant Essentials Performance Management Pack</b>          ProLiant Essentials Performance Management Pack, Single-Server License  <b>NOTE:</b> For use with a single server. Contains one license with a unique license activation key, HP Management CD and documentation.  <b>NOTE:</b> The most recent version of the software can always be downloaded at  <a href="http://www.hp.com/products/pmp">http://www.hp.com/products/pmp</a>.  <b>NOTE:</b> For additional ProLiant Performance Management Pack License Kits please see the QuickSpecs at:  <a href="http://h18000.www1.hp.com/products/quickspecs/11925_div/11925_div.HTML">http://h18000.www1.hp.com/products/quickspecs/11925_div/11925_div.HTML</a></p>	306696-B21
	<p><b>HP ProLiant Essentials RDMA Pack</b>          HP ProLiant Essentials RDMA Pack for Embedded Multifunction Gigabit Server Adapters, 1 License  <b>NOTE:</b> For additional ProLiant Essentials RDM Pack License Kits please see the QuickSpecs at:  <a href="http://h18000.www1.hp.com/products/quickspecs/12573_div/12573_div.HTML">http://h18000.www1.hp.com/products/quickspecs/12573_div/12573_div.HTML</a></p>	
	<p><b>ProLiant Essentials Rapid Deployment Pack</b></p>	

### Options

Rapid Deployment Pack, Single-Server License	267196-B21
<b>NOTE:</b> This license allows 1 server to be deployed and managed via RDP.	
Rapid Deployment Pack, Single-Server License (Japan)	267196-291
<b>NOTE:</b> This license allows 1 server to be deployed and managed via RDP.	
<b>NOTE:</b> For additional ProLiant Essentials Rapid Deployment Pack License Kits please see the QuickSpecs at: <a href="http://h18000.www1.hp.com/products/quickspecs/11053_div/11053_div.HTML">http://h18000.www1.hp.com/products/quickspecs/11053_div/11053_div.HTML</a>	
<b>ProLiant Essentials Workload Management Pack</b>	
ProLiant Essentials Workload Management Pack, Single Server License	303284-B21
<b>NOTE:</b> For additional ProLiant Workload Management Pack License Kits please see the QuickSpecs at: <a href="http://h18000.www1.hp.com/products/quickspecs/11452_div/11452_div.HTML">http://h18000.www1.hp.com/products/quickspecs/11452_div/11452_div.HTML</a>	
<b>ProLiant Essentials Virtualization Management Software</b>	
ProLiant Essentials Virtual Machine Management Pack, Single-Server License	372214-B21
<b>NOTE:</b> For use with a single server. Contains one license with a unique license activation key and documentation.	
ProLiant Essentials Server Migration Pack, Single-Migration License	375345-B21
<b>NOTE:</b> Contains one license, enabling 1 server migration, with a unique license activation key and documentation.	
ProLiant Essentials Server Migration Pack - Physical to ProLiant Edition, Single-Migration License	412978-B21
<b>NOTE:</b> This license allows 1 server to be migrated from a physical server to a virtual machine. Or this license can be used to migrate a virtual machine from one virtualization layer i.e. VMware GSX to a different virtualization layer such as VMware ESX or Microsoft Virtual Server 2005.	
<b>NOTE:</b> For additional ProLiant Essentials Virtualization Management Software License Kits please see the QuickSpecs at: <a href="http://h18000.www1.hp.com/products/quickspecs/12328_div/12328_div.HTML">http://h18000.www1.hp.com/products/quickspecs/12328_div/12328_div.HTML</a>	
<b>ProLiant Essentials Vulnerability and Patch Management Pack</b>	
ProLiant Essentials Vulnerability and Patch Management Pack, Single-Server License	371645-B21
<b>NOTE:</b> For use with a single server. Contains one license with a unique license activation key and documentation.	
<b>NOTE:</b> For additional ProLiant Vulnerability and Patch Management Pack License Kits, please see the QuickSpecs at: <a href="http://h18000.www1.hp.com/products/quickspecs/12111_div/12111_div.HTML">http://h18000.www1.hp.com/products/quickspecs/12111_div/12111_div.HTML</a>	
<b>ProLiant Essentials Accelerated iSCSI Pack</b>	
ProLiant Essentials Accelerated iSCSI Pack, 1 License	407484-B21
<b>NOTE:</b> For additional Accelerated iSCSI Pack License Kits, please see the QuickSpecs at: <a href="http://h18000.www1.hp.com/products/quickspecs/12466_div/12466_div.HTML">http://h18000.www1.hp.com/products/quickspecs/12466_div/12466_div.HTML</a>	
<b>NOTE:</b> Flexible and volume quantity license kits are available for ProLiant Essentials Value Packs. Refer to <a href="http://www.hp.com/servers/proliantessentials">http://www.hp.com/servers/proliantessentials</a> or the various ProLiant Essentials Value Pack product QuickSpecs for more information.	
<b>NOTE:</b> For more information regarding ProLiant Essentials Software, please see the following URL: <a href="http://www.hp.com/servers/proliantessentials">http://www.hp.com/servers/proliantessentials</a> .	

### Options

ProLiant Software Maintenance Subscription	ProLiant Software Maintenance Subscription	355060-B21
	ProLiant Software Maintenance Single Release	356573-B21
	ProLiant Foundation Pack Single Release	356604-B21

**NOTE:** Please see the SmartStart QuickSpecs for additional information regarding the subscription purchase:

<http://h18000.www1.hp.com/products/quickspecs/Division/11073.html>  
(Worldwide)

Processors	Dual-Core Intel Xeon Processor 5160 (3.0 GHz, 80 Watts, 1333 FSB)	418324-B21
	Dual-Core Intel Xeon Processor 5150 (2.67 GHz, 65 Watts, 1333 FSB)	418323-B21
	Dual-Core Intel Xeon Processor 5148 (2.4 GHz, 40 Watts, 1333 FSB, Mid Voltage)	432333-B21
	Dual-Core Intel Xeon Processor 5140 (2.33 GHz, 65 Watts, 1333 FSB)	418322-B21
	Dual-Core Intel Xeon Processor 5130 (2.0 GHz, 65 Watts, 1333 FSB)	418321-B21
	Dual-Core Intel Xeon Processor 5120 (1.86 GHz, 65 Watts, 1066 FSB)	418320-B21
	Dual-Core Intel Xeon Processor 5110 (1.6 GHz, 65 Watts, 1066 FSB)	418319-B21
	Dual-Core Intel Xeon Processor 5080 (3.73GHz, 130 Watts, 1066 FSB)	412967-B21
	Dual-Core Intel Xeon Processor 5060 (3.2GHz, 130 Watts, 1066 FSB)	397328-B21
Dual-Core Intel Xeon Processor 5050 (3.0 GHz, 95 Watts, 667 FSB)	397326-B21	

Memory (DIMMs)	1 GB FBD PC2-5300 2 x 512 MB Kit	397409-B21
	2 GB FBD PC2-5300 2 x 1 GB Kit	397411-B21
	4 GB FBD PC2-5300 2 x 2 GB Kit	397413-B21
	8 GB FBD PC2-5300 2 x 4 GB Kit	397415-B21

Optical Drives	Slimline CD-RW/DVD-ROM Combo Option Kit	331903-B21
	<b>NOTE:</b> Included in performance models.	
	Slimline DVD-ROM Drive (8x/24x) Option Kit	264007-B21
	HP DVD±R/RW 8X Slim	383975-B21

Diskette Drive	Slimline Ejectable Floppy drive	390164-B21
----------------	---------------------------------	------------

### Options

#### Hard Drives

##### SFF SAS - Universal Hot Plug

HP 36GB 3G SAS 10K SFF HDD 375859-B21

HP 72GB 3G SAS 10K SFF HDD 375861-B21

HP 146GB 3G SAS 10K SFF SP HDD 431958-B21

**NOTE:** Please see the [SAS Hard Drive QuickSpecs](#) for Technical Specifications such as capacity, height, width, interface, transfer rate, seek time, physical configuration, and operating temperature:

[http://h18000.www1.hp.com/products/quickspecs/12244\\_div/12244\\_div.HTML](http://h18000.www1.hp.com/products/quickspecs/12244_div/12244_div.HTML)  
(Worldwide)

##### SFF SATA Hot Plug

HP 60GB 1.5G SATA 5.4K SFF HDD 379306-B21

**NOTE:** SATA drives have a 1 year warranty. Please see the [SATA Hard Drive QuickSpecs](#) for Technical Specifications such as capacity, height, width, interface, transfer rate, seek time, physical configuration, and operating temperature:

[http://h18000.www1.hp.com/products/quickspecs/12091\\_div/12091\\_div.HTML](http://h18000.www1.hp.com/products/quickspecs/12091_div/12091_div.HTML)  
(Worldwide)

#### Storage Controllers

**NOTE:** Please refer to the [HP ProLiant DL380 G5 SCSI Cabling Matrix](#) for information on what's required to cable optional array controllers:

<ftp://ftp.compaq.com/pub/products/servers/proliantdl380/dl380g4-cabling-matrix.pdf>

##### SAS Controllers

###### Smart Array P400 Controller

HP Smart Array P400/256MB Controller 405132-B21

HP Smart Array P400/512MB BBWC Controller 411064-B21

512MB Battery-backed cache upgrade 405148-B21

**NOTE:** For Smart Array P400 Controller.

Battery-backed write cache upgrade 383280-B21

**NOTE:** For Smart Array P400 Controller.

Smart Array P400 Battery Attach Kit 417836-B21

**NOTE:** This option kit contains a 24" battery cable and adhesive material for installing a battery into the server if a Smart Array P400 is integrated outside of the factory. For all solutions, please refer to the server QuickSpecs and User's Manual for detailed installation instructions.

###### Smart Array E200 Controller

HP Smart Array E200/128 BBWC Controller 411508-B21

HP Smart Array E200/64MB Controller 409180-B21

128-MB BBWC (Battery-Backed Write Cache) Enabler 351580-B21

**NOTE:** Supports the Smart Array E200 Controller, Smart Array 641 Controller, and Smart Array 642 Controller.

###### Smart Array P600 Controller

HP Smart Array P600/256 BBWC Controller 337972-B21

**NOTE:** Requires Mixed PCI-E/X riser cage.

512 MB Battery-Backed Cache Upgrade 372538-B21

**NOTE:** This 512-MB Battery-Backed Cache Module upgrade kit supports the Smart Array P600 Controller and the Smart Array 6400 series Controller.

### Options

**NOTE:** Please see the following Controller QuickSpecs for Technical Specifications such as PCI Bus, PCI Peak Data Transfer Rate, SCSI Protocols supported, SCSI Peak Data Transfer Rate, Channels, SCSI Ports, Drives supported, Cache, RAID support, and additional information:

[http://h18000.www1.hp.com/products/quickspecs/12460\\_div/12460\\_div.HTML](http://h18000.www1.hp.com/products/quickspecs/12460_div/12460_div.HTML)  
(Smart Array E200 Controller)

[http://h18000.www1.hp.com/products/quickspecs/12400\\_div/12400\\_div.HTML](http://h18000.www1.hp.com/products/quickspecs/12400_div/12400_div.HTML)  
(Smart Array P400 Controller)

[http://h18000.www1.hp.com/products/quickspecs/12247\\_div/12247\\_div.HTML](http://h18000.www1.hp.com/products/quickspecs/12247_div/12247_div.HTML)  
(Smart Array P600 Controller)

#### SAS HBA

HP 8 Internal Port SAS HBA with RAID

347786-B21

**NOTE:** Please see the following QuickSpecs for additional information:

[http://h18004.www1.hp.com/products/quickspecs/12332\\_div/12332\\_div.html](http://h18004.www1.hp.com/products/quickspecs/12332_div/12332_div.html)  
(SAS HBA)

#### SCSI Controllers for External Drive/Storage Support

**NOTE:** All Ultra 320 controllers are PCI-X and require the Mixed Riser Cage Option Kit (PCI-E/PCI-X).

Smart Array 6402/128 Controller

273915-B21

**NOTE:** Ultra320 SCSI.

Smart Array 6404/256 Controller

273914-B21

**NOTE:** Ultra320 SCSI.

Smart Array 642 Controller

291967-B21

**NOTE:** Ultra320 SCSI.

128-MB Battery-Backed Write Cache (BBWC)

351580-B21

**NOTE:** Supports the Smart Array E200 Controller, Smart Array 641 Controller, and Smart Array 642 Controller.

Ultra320 Expansion Module for SA-6402

273911-B21

64-Bit/133-MHz Single Channel Ultra320 SCSI HBA G2

374654-B21

#### SCSI HBA

HP SC11Xe Host Bus Adapter

412911-B21

**NOTE:** Please see the following Controller or SCSI Adapter QuickSpecs for Technical Specifications such as PCI Bus, PCI Peak Data Transfer Rate, SCSI Protocols supported, SCSI Peak Data Transfer Rate, Channels, SCSI Ports, Drives supported, Cache, RAID support, and additional information:

[http://h18000.www1.hp.com/products/quickspecs/11943\\_div/11943\\_div.HTML](http://h18000.www1.hp.com/products/quickspecs/11943_div/11943_div.HTML)  
(Single Channel Ultra320 SCSI HBA)

[http://h18000.www1.hp.com/products/quickspecs/11587\\_div/11587\\_div.HTML](http://h18000.www1.hp.com/products/quickspecs/11587_div/11587_div.HTML)  
(Smart Array 6400 Series)

[http://h18000.www1.hp.com/products/quickspecs/12069\\_div/12069\\_div.HTML](http://h18000.www1.hp.com/products/quickspecs/12069_div/12069_div.HTML)  
(Smart Array 642)

[http://h18000.www1.hp.com/products/quickspecs/12566\\_div/12566\\_div.HTML](http://h18000.www1.hp.com/products/quickspecs/12566_div/12566_div.HTML)  
(SC11XE HBA)

### Options

<b>Communications</b>	HP NC150T PCI 4-port Gigabit 1000T Combo Switch Adapter	367132-B21
	HP NC310F PCI-X 1000SX Gigabit Server Adapter	368169-B21
	HP NC320T PCI Express 1000T Gigabit Server Adapter	367047-B21
	HP NC340T PCI-X 4-port 1000T Gigabit Server Adapter	391661-B21
	HP NC360T PCI Express Dual Port Gigabit Server Adapter	412648-B21
	HP NC370T PCI-X Multifunction 1000T Gigabit Server Adapter	374191-B22
	HP NC373F PCI Express Multifunction Gigabit Server Adapter	394793-B21
	HP NC380T PCI Express Dual Port Multifunction Gigabit Server Adapter	394795-B21
	HP NC510F PCIe 10 Gigabit Server Adapter	414126-B21
	HP NC510C PCIe 10 Gigabit Server Adapter	414129-B21
	HP NC1020 PCI 1000T Gigabit Server Adapter	353377-B21
	HP NC7771 PCI-X 1000T Gigabit Server Adapter	290563-B21

**NOTE:** Any NIC (except the NC1020) on the option list can be used for redundancy with the embedded Dual NC373i Multifunction Gigabit NICs. When teaming with other NICs or with the embedded NIC, the lack of Jumbo Frames and LSO features on the NC1020 will cause high end NICs to have those features disabled.

HP IB 4X DDR PCI-e single PORT HCA	431039-B21
HP IB 4X SDR PCI-e single PORT HCA	431038-B21

---

<b>Redundant Options</b>	Redundant Power Supply 350/370/380 G5 AU Kit	399771-011
	Redundant Power Supply 350/370/380 G5 EU Kit	399771-021
	Redundant Power Supply 350/370/380 G5 JP Kit	399771-291
	Redundant Power Supply 350/370/380 G5 Worldwide Kit	399771-B21
	Redundant Power Supply 350/370/380 G5 UK Kit	399771-031
	Redundant Power Supply 350/370/380 G5 US Kit	399771-001
	Redundant Power Supply 380 G5 Worldwide Kit - 48Volt DC	433634-B21

### Tape Drives

**NOTE:** For the complete listing of Tape Drive offerings, please see: <http://www.hp.com/products1/storage/compatibility/tapebackup/ISS/index.html>

**NOTE:** All SCSI tape and tape automation devices connecting to the Single Channel Ultra320 SCSI HBA G2 (374654-B21) require the Mixed Riser Cage Option (410570-B21).

For recommended tape drive offerings for this ProLiant server see the following:

#### USB Tape Drives

HP StorageWorks DAT 72 USB External Tape Drive (Carbonite)	DW027A
--	--------

#### SAS Tape Drives

HP StorageWorks Ultrium 448 SAS External Tape Drive	DW086A
---	--------

**NOTE:** Please refer to the "Tape Drives, Tape Autoloaders & Tape Libraries" table in the Storage section of this document for a list of SAS controllers with tape support.

#### External and Rack-Mount Ultrium Tape Drives

HP StorageWorks Ultrium 232 External Tape Drive (Carbonite)	DW065B
HP StorageWorks Ultrium 460 External Tape Drive (Carbon)	Q1520B
HP StorageWorks Ultrium 448 External Tape Drive (Carbonite)	DW017B

### Options

HP StorageWorks 1U Rack-mount kit with one Ultrium 448 (Carbonite)	DW028B
HP StorageWorks Ultrium 960 External Tape Drive (Carbonite)	Q1539B
HP StorageWorks 3U Rack-mount kit with one Ultrium 960 (Carbonite)	Q1595B

**NOTE:** Please see the HP StorageWorks Ultrium Tape Drive QuickSpecs for additional options such as controllers, media, and other related items:

[http://h18006.www1.hp.com/products/quickspecs/11739\\_div/11739\\_div.html](http://h18006.www1.hp.com/products/quickspecs/11739_div/11739_div.html)  
(Worldwide)

For an up-to-date listing of the latest O/S and software support details for HP Ultrium tape drives, please visit: <http://www.hp.com/go/connect>.

#### External DAT Drives

HP StorageWorks DAT 72 SCSI External Tape Drive (Carbon)	Q1523B
--	--------

**NOTE:** Please see the DAT Tape Drive QuickSpecs for controllers, media, and other options:

[http://h18000.www1.hp.com/products/quickspecs/11883\\_div/11883\\_div.HTML](http://h18000.www1.hp.com/products/quickspecs/11883_div/11883_div.HTML)  
(Worldwide)

For an up-to-date listing of the latest O/S and software support details for HP DAT drives, please visit: <http://www.hp.com/go/connect>.

#### Rack-Mount Tape Drive Enclosures

HP StorageWorks 1U SCSI Rack-Mount kit	A7445B
--	--------

**NOTE:** The 1U Rack-Mount Kit can support up to (2) half-height tape drives and is compatible with multiple Single-Ended and LVD SCSI tape drives including the DAT 24, DAT 40, DAT 72, DLT VS80, DLT VS160, Ultrium 215, Ultrium 232, Ultrium 448 and Ultrium 920 tape drives.

HP StorageWorks 1U USB Rack-Mount Kit	A8007A
---------------------------------------	--------

**NOTE:** The 1U USB Rack-Mount Kit can support up to (2) half-height tape drives and is compatible with the DAT 24 USB, DAT 40 USB and DAT 72 USB tape drives.

HP StorageWorks 1U SAS Rack-Mount Kit	AE459A
---------------------------------------	--------

**NOTE:** The 1U SAS Rack-Mount Kit can support up to (2) half-height tape drives and is compatible with the Ultrium 448 SAS tape drive.

HP StorageWorks 3U Rack-mount kit	274338-B22
-----------------------------------	------------

**NOTE:** The 3U Rack-mount Kit can support up to (2) full-height or (4) half-height tape drives and compatible with multiple Single-Ended and LVD SCSI tape drives including DAT 24, DAT 40, DAT 72, DLT VS80, DLT VS160, SDLT 320, SDLT 600, Ultrium 215, Ultrium 230, Ultrium 232, Ultrium 460, Ultrium 448, Ultrium 920 and Ultrium 960 tape drives.

**NOTE:** Please see the Rack-Mount Tape Drive Kits QuickSpecs for additional information regarding these kits:

[http://h18000.www1.hp.com/products/quickspecs/10854\\_div/10854\\_div.HTML](http://h18000.www1.hp.com/products/quickspecs/10854_div/10854_div.HTML)  
(Worldwide)

### Options

Tape Autoloaders	<b>HP StorageWorks DAT Autoloader</b>	
	HP StorageWorks DAT 72x10 tape autoloader	AE313A
	<b>HP StorageWorks 1/8 Tape Autoloader</b>	
	HP StorageWorks 1/8 Ultrium 960 Tape Autoloader	AF204A
	HP StorageWorks 1/8 Ultrium 448 Tape Autoloader	AF203A
	HP StorageWorks 1/8 Ultrium 232 Tape Autoloader	AF202A
	1/8 Tape Autoloader Rackmount Kit	C9268R

**NOTE:** Required to install the unit in a standard 19-inch rack; includes rails and rackmount instructions

**NOTE:** Please reference the Tape Autoloader QuickSpecs at <http://www.hp.com/go/automation> for additional information needed to create a complete solution; reference current compatibility information at <http://www.hp.com/go/ebs>

Tape Libraries	<b>HP StorageWorks MSL2024 Tape Library</b>	
	HP StorageWorks MSL2024 1 Ultrium 960 Drive Library	AG115A
	HP StorageWorks MSL2024 1 Ultrium 960 4GB FC Drive Library	AG326B
	HP StorageWorks MSL2024 1 Ultrium 448 Drive Library	AG116A
	HP StorageWorks MSL2024 2 Ultrium 448 Drive Library	AG117A
	<b>HP StorageWorks MSL4048 Tape Library</b>	
	HP StorageWorks MSL4048 1 Ultrium 448 Drive Library	AG320A
	HP StorageWorks MSL4048 2 Ultrium 448 Drive Library	AG321A
	HP StorageWorks MSL4048 1 Ultrium 960 Drive Library	AG322A
	HP StorageWorks MSL4048 1 Ultrium 960 4GB FC Drive Library	AG324B
	HP StorageWorks MSL4048 2 Ultrium 960 Drive Library	AG323A
	HP StorageWorks MSL4048 2 Ultrium 960 4GB FC Drive Library	AG325B
	<b>HP StorageWorks MSL6000 Tape Library</b>	
	<b>Ultrium 960 technology</b>	
	HP StorageWorks MSL6030 1 Ultrium 960 Dr LVDS Library	AD606B
	HP StorageWorks MSL6030 1 Ultrium 960 Dr FC Library	AD608B
	HP StorageWorks MSL6030 2 Ultrium 960 Dr LVDS Library	AD607B
	HP StorageWorks MSL6030 2 Ultrium 960 Dr FC Library	AD609B
	<b>Ultrium 460 technology</b>	
	HP StorageWorks MSL6030 1 Ultrium 460 Dr LVDS Library	AD598B
	HP StorageWorks MSL6030 1 Ultrium 460 Dr FC Library	AD600B
HP StorageWorks MSL6030 2 Ultrium 460 Dr LVDS Library	AD599B	
HP StorageWorks MSL6030 2 Ultrium 460 Dr FC Library	AD601B	

**NOTE:** Please reference the MSL2024, MSL4048 and MSL6000 Tape Library QuickSpecs at <http://www.hp.com/go/automation> for additional information needed to create a complete solution; reference current compatibility information at <http://www.hp.com/go/ebs>



### Options

HP Data Protector Express Software	HP DP Express Backup Server Upgrade for ProLiant Software	BB117AP
	HP DP Express Package for Microsoft Small Business Server	BB118AA

**NOTE:** To obtain a free licensed copy of HP Data Protector Express for ProLiant edition software, please visit the "Protect Your Data" link accessible from your ProLiant server's System Management Homepage (SMH) software (SmartStart 7.5 or later).

**NOTE:** Please see the HP Data Protector Express QuickSpecs for additional information regarding the purchase of HP Data Protector Express software:  
[http://h18000.www1.hp.com/products/quickspecs/12337\\_div/12337\\_div.html](http://h18000.www1.hp.com/products/quickspecs/12337_div/12337_div.html)  
(Worldwide)

---

Cluster Options	ProLiant Cluster Starter Kit	364023-B21
-----------------	------------------------------	------------

**NOTE:** For additional information regarding the ProLiant Cluster Starter Kit please see the following QuickSpecs at:

[http://h18000.www1.hp.com/products/quickspecs/11935\\_div/11935\\_div.html](http://h18000.www1.hp.com/products/quickspecs/11935_div/11935_div.html)  
(Worldwide)

HP HA/F200 for Entry SAN Cluster	364026-B22
HP HA/F200 for Entry SAN Cluster (Japan)	364026-292

**NOTE:** For additional information regarding the ProLiant Cluster for Entry Level SAN please see the following QuickSpecs at:

[http://h18000.www1.hp.com/products/quickspecs/11932\\_div/11932\\_div.html](http://h18000.www1.hp.com/products/quickspecs/11932_div/11932_div.html)  
(Worldwide)

**NOTE:** For configuration/certification options for the HP Parallel Database Cluster for Oracle RAC please go to: <http://www.hp.com/solutions/highavailability/oracle>

HP Serviceguard for Linux ProLiant Cluster A.11.16 for SUSE SLES 9 & 10 and Red Hat EL 3 & 4 (2 node license cluster kit)	305199-B26
---	------------

HP Serviceguard for Linux A.11.16 for SUSE SLES 9 & 10 and Red Hat EL 3 & 4 (single license version)	307754-B26
--	------------

HP Serviceguard for Linux and Red Hat Global File System - 1 year subscription	T2798AA#001
--	-------------

HP Serviceguard for Linux and Red Hat Global File System - 3 years subscription	T2798AA#003
---	-------------

**NOTE:** For additional information regarding HP Serviceguard for Linux, please see the following QuickSpecs at:

[http://h18000.www1.hp.com/products/quickspecs/11518\\_div/11518\\_div.html](http://h18000.www1.hp.com/products/quickspecs/11518_div/11518_div.html)  
(Worldwide)

**NOTE:** For configuration/certification options for HP Serviceguard for Linux please go to: <http://www.hp.com/info/sglx>

### Options

StorageWorks Options	<b>NOTE:</b> For the complete listing of Fibre Channel Host Bus Adapters for Windows 2000, Windows Server 2003 and Linux, please see: <a href="http://h18006.www1.hp.com/storage/saninfrastructure/hba.html">http://h18006.www1.hp.com/storage/saninfrastructure/hba.html</a>	
	HP StorageWorks FC2142SR 4Gb PCI-e HBA	A8002A
	HP StorageWorks FC2242SR Dual Channel 4 Gb PCI-e HBA	A8003A
	HP StorageWorks FC1142SR 4Gb PCI-e HBA	AE311A
	HP StorageWorks FC1242SR Dual Channel 4 Gb PCI-e HBA	AE312A
	HP StorageWorks FC2143 4Gb PCI-X 2.0 -to-Fibre Channel HBA	AD167A
	HP StorageWorks FC2243 Dual Channel 4Gb PCI-X 2.0 HBA	AD168A
	HP StorageWorks FC1143 4Gb PCI-X 2.0 HBA	AB429A
	HP StorageWorks FC1243 Dual Channel 4Gb PCI-X 2.0 HBA	AE369A
	HP StorageWorks FC2214 2 Gb, 64-bit/133 MHz PCI-X-to-Fibre HBA	281541-B21
	HP StorageWorks FC2214DC 2 Gb, Dual Port, 64-Bit/133 MHz PCI-X HBA	321835-B21
	HP StorageWorks 2 Gb, Single Channel, 133 MHz PCI-X HBA	A7388A
	HP StorageWorks 2 Gb, Dual Channel, 133 MHz PCI-X HBA	A7387A
HP StorageWorks Modular Smart Array 20	HP StorageWorks Modular Smart Array 20 <b>NOTE:</b> Rack-mountable 12 (SATA) drive enclosure with U320 Host connectivity, redundant power supplies.	335921-B21
	HP StorageWorks Modular Smart Array 20 Starter Kit <b>NOTE:</b> Rack-mountable 12 (SATA) drive enclosure with U320 Host connectivity, redundant power supplies. Includes Smart Array 6402/128 Controller. <b>NOTE:</b> The Modular Smart Array Enclosure 20 Family supports the SATA 1.5Gb/s 3.5" Hot Plug Hard Drives.	366172-B21
HP StorageWorks Modular Smart Array 30	HP StorageWorks Modular Smart Array 30 SB <b>NOTE:</b> Rack-mountable 14 drive enclosure with single bus, redundant power supplies	302969-B21
	HP StorageWorks Modular Smart Array 30 DB <b>NOTE:</b> Rack-mountable 14 drive enclosure with dual bus, redundant power supplies <b>NOTE:</b> The Modular Smart Array Enclosure 30 Family supports the Wide Ultra3, Ultra320 Hot Plug Hard Drives.	302970-B21
HP StorageWorks Modular Smart Array 50	HP StorageWorks Modular Smart Array 50 Enclosure <b>NOTE:</b> Please see the Modular Smart Array 50 QuickSpecs for additional information including configuration steps and additional options needed for a complete solution at: <a href="http://h18000.www1.hp.com/products/quickspecs/12245_div/12245_div.HTML">http://h18000.www1.hp.com/products/quickspecs/12245_div/12245_div.HTML</a> (Worldwide)	364430-B21
HP StorageWorks Modular Smart Array 500 G2	HP StorageWorks Modular Smart Array 500 Generation 2 <b>NOTE:</b> Please see the Modular Smart Array 500 Generation 2 QuickSpecs for additional information including configuration steps and additional options needed for a complete solution at: <a href="http://h18000.www1.hp.com/products/quickspecs/11956_div/11956_div.HTML">http://h18000.www1.hp.com/products/quickspecs/11956_div/11956_div.HTML</a> (Worldwide)	335880-B21

### Options

<b>HP StorageWorks Modular Smart Array 1000</b>	HP StorageWorks Modular Smart Array 1000 <b>NOTE:</b> Please see the <a href="http://h18000.www1.hp.com/products/quickspecs/11033_div/11033_div.HTML">Modular Smart Array 1000 QuickSpecs</a> for additional options and configuration information at: <a href="http://h18000.www1.hp.com/products/quickspecs/11033_div/11033_div.HTML">http://h18000.www1.hp.com/products/quickspecs/11033_div/11033_div.HTML</a> (Worldwide)	201723-B22
<b>HP StorageWorks Modular Smart Array 1500 cs</b>	Modular Smart Array 1500 Controller Shelf <b>NOTE:</b> Please see the <a href="http://www.hp.com/go/MSA1500cs">StorageWorks Modular SAN Array 1500 cs QuickSpecs</a> for additional options and configuration information at: <a href="http://www.hp.com/go/MSA1500cs">http://www.hp.com/go/MSA1500cs</a>	AA986A
<b>Uninterruptible Power Systems - Rack</b>	HP R1.5 VA 1U UPS INTL HP R1.5 VA 1U UPS JPN HP R1.5 VA 1U UPS NA HP R/T2200 2-U ERM	AF418A AF421A AF419A AF412A
<b>Power Cords</b>	Nema 5-15P to IEC320-C13 Power Cord, Euro, 10A 250 V Straight (12 ft/3.7 m) Power Cord, UK, 10A 250 V Straight (12 ft/3.7 m) Power Cord, Danish, 10A 250 V Straight (12 ft/3.7 m) Power Cord, Swiss, 10A 250 V Straight (12 ft/3.7 m) Power Cord, Italian, 10A 250 V Straight (12 ft/3.7 m) Power Cord, South Africa, 10A 250 V Straight (12 ft/3.7 m)	AF556A 157215-021 157216-031 157218-081 157219-111 157217-061 157220-AR1
<b>HP Monitored Power Distribution Unit (PDU)</b>	<b>HP Monitored Power Distribution Unit: Full Rack Version</b> HP 17.3 kVA S2324 Monitored PDU- dual input, 3-phase, 24A (NA/JPN) HP 8.3 kVA S1324 Monitored PDU- single input, 3-phase, 24A (NA/JPN) HP 16.6 kVA S2140 Monitored PDU- dual input, 1-phase, 40A (NA/JPN) HP 8.6 S1140 Monitored PDU- single input, 1-phase, 40A (NA/JPN) HP 22.1 kVA S2316 Monitored PDU- dual input, 3-phase, 16A (INTL) HP 11 kVA S 1316 Monitored PDU- single input, 3-phase, 16A (INTL) HP 14.7 kVA S2132 Monitored PDU- dual input, 1-phase, 32A (INTL) HP 7.4 kVA S1132 Monitored PDU- single input, 1-phase, 32A (INTL) 17.3 kVA Monitored PDU Model S2324 8.6 kVA Monitored PDU Model S1324 16.6 kVA Monitored PDU Model S2140 8.3 kVA Monitored PDU Model S1140 22 kVA Monitored PDU Model S2316	370959-D71 370960-D71 370961-D71 370962-D71 370963-B31 370964-B31 370965-B31 370966-B31 AF503A AF504A AF505A AF506A AF507A

### Options

11 kVA Monitored PDU Model S1316	AF508A
14.7 kVA Monitored PDU Model S2132	AF509A
7.3 kVA Monitored PDU Model S1132	AF510A
4.9kVA Monitored PDU model S124	AF514A
7.3kVA Monitored PDU model S132	AF515A

<b>USB Options</b>	HP USB 2-Button Optical Scroll Mouse (Carbonite/Silver)	DC172B
	USB 1.44-MB External Diskette Drive (Carbonite)	DC141B
	512MB HP Drive Key II (USB 2.0)	ED516AA

<b>Third Party Rack Adapter Kit</b> (for wide racks)	Rack Adapter Kit	332815-B21
	<b>NOTE:</b> Not required for most racks. This kit allows HP rack servers to fit in racks that are 24" wide.	

<b>HP Rack 5000 Series</b> (Graphite Metallic)	HP 5642 Rack-Unassembled	358254-B21
	<b>NOTE:</b> Please see the HP Rack 5642 QuickSpecs for additional part numbers and Technical Specifications such as height, width, depth, weight, and color: <a href="http://h18000.www1.hp.com/products/quickspecs/12074_div/12074_div.HTML">http://h18000.www1.hp.com/products/quickspecs/12074_div/12074_div.HTML</a> (Worldwide)	
	<b>NOTE:</b> For additional information regarding Rack Cabinets, please see the following URL: <a href="http://www.hp.com/go/rackandpower">http://www.hp.com/go/rackandpower</a> .	

<b>HP Rack 10000 G2 Series</b> (Carbon/Graphite Metallic)	10642 G2 (42U) Rack Cabinet - Pallet	AF001A
	10642 G2 (42U) Rack Cabinet - Shock Pallet	AF002A
	10642 G2 (42U) Rack Cabinet - Crated	AF003A
	10642 G2 (42U) Rack Cabinet, with Extension - Shock Pallet	AF004A
	10636 G2 (36U) Rack Cabinet - Pallet	AF011A
	10636 G2 (36U) Rack Cabinet - Shock Pallet	AF012A
	10636 G2 (36U) Rack Cabinet - Crated	AF013A
	10636 G2 (36U) Rack Cabinet, with Extension - Shock Pallet	AF014A
<b>NOTE:</b> It is mandatory to use a shock pallet when shipping racks with equipment installed.		
<b>NOTE:</b> Please see the Rack 10000 G2 QuickSpecs for Technical Specifications such as height, width, depth, weight, and color: <a href="http://h18000.www1.hp.com/products/quickspecs/12402_div/12402_div.HTML">http://h18000.www1.hp.com/products/quickspecs/12402_div/12402_div.HTML</a> (Worldwide)		
<b>NOTE:</b> For additional information regarding Rack Cabinets, please see the following URL: <a href="http://www.hp.com/go/rackandpower">http://www.hp.com/go/rackandpower</a> .		

### Options

HP Rack 10000 Series (Graphite Metallic)	HP S10614 (14U) Rack Cabinet - Shock Pallet	292302-B22
	HP 10842 (42U) Rack Cabinet - Pallet	257415-B21
	HP 10842 (42U) Rack Cabinet - Shock Pallet	257415-B22
	HP 10647 (47U) Rack Cabinet - Pallet	245160-B21
	HP 10647 (47U) Rack Cabinet - Crated	245160-B23
	HP 10622 (22U) Rack Cabinet - Pallet	245163-B21
	HP 10622 (22U) Rack Cabinet - Shock Pallet	245163-B22
	HP 10622 (22U) Rack Cabinet - Crated	245163-B23

**NOTE:** xxxxx-B21 (pallet) used to ship empty racks shipped on a truck. -B22 (shock pallet) used to ship racks with equipment installed (by custom systems, VARs and Channels). xxxxx-B23 (crated) used for air shipments of empty racks.

**NOTE:** It is mandatory to use a shock pallet in order to ship racks with equipment installed. Not all Compaq equipment is qualified to be shipped in the Rack 10000 series.

**NOTE:** Please see the Rack 10000 QuickSpecs for Technical Specifications such as height, width, depth, weight, and color:

[http://h18000.www1.hp.com/products/quickspecs/10995\\_div/10995\\_div.HTML](http://h18000.www1.hp.com/products/quickspecs/10995_div/10995_div.HTML)  
(Worldwide)

**NOTE:** For additional information regarding Rack Cabinets, please see the following URL: <http://www.hp.com/go/rackandpower>

Keyboards and Monitors	TFT7210R Rack Mounted 17" Monitor	348373-B21
	<b>NOTE:</b> For a complete list of Monitors please view the following URL: <a href="http://www.hp.com/go/kvm">http://www.hp.com/go/kvm</a>	
	TFT7600 Rackmount Keyboard Monitor US	AG052A
	TFT7600 Rackmount Keyboard Monitor UK	AG053A
	TFT7600 Rackmount Keyboard Monitor GR	AG054A
	TFT7600 Rackmount Keyboard Monitor FR	AG055A
	TFT7600 Rackmount Keyboard Monitor IT	AG056A
	TFT7600 Rackmount Keyboard Monitor SP	AG057A
	TFT7600 Rackmount Keyboard Monitor DEN	AG058A
	TFT7600 Rackmount Keyboard Monitor NOR	AG059A
	TFT7600 Rackmount Keyboard Monitor SE/FI	AG060A
	TFT7600 Rackmount Keyboard Monitor SWI	AG061A
	TFT7600 Rackmount Keyboard Monitor PORT	AG062A
	TFT7600 Rackmount Keyboard Monitor BEL	AG063A
	TFT7600 Rackmount Keyboard Monitor JPN2	AG064A
	TFT7600 Rackmount Keyboard Monitor RUS	AG065A
	TFT7600 Rackmount Keyboard Monitor INTL	AG066A
	1U Rackmount Keyboard with USB, US	AG072A
	1U Rackmount Keyboard with USB, UK	AG073A
	1U Rackmount Keyboard with USB, GR	AG074A
	1U Rackmount Keyboard with USB, FR	AG075A
	1U Rackmount Keyboard with USB, ITL	AG076A
	1U Rackmount Keyboard with USB, SP	AG077A

### Options

1U Rackmount Keyboard with USB, DEN	AG078A
1U Rackmount Keyboard with USB, NOR	AG079A
1U Rackmount Keyboard with USB, SE/FI	AG080A
1U Rackmount Keyboard with USB, SWI	AG081A
1U Rackmount Keyboard with USB, PORT	AG082A
1U Rackmount Keyboard with USB, BEL	AG083A
1U Rackmount Keyboard with USB, JPN2	AG084A
1U Rackmount Keyboard with USB, RUS	AG085A
1U Rackmount Keyboard with USB, INTL	AG086A

**NOTE:** For additional information regarding Rack Options, please see the following URL: <http://www.hp.com/go/rackandpower>.

<b>HP KVM Switch Options</b>	2x1x16 IP Console Switch with Virtual Media	AF601A
	4x1x16 IP Console Switch with Virtual Media	AF602A
	USB Virtual media Interface Adapter	AF603A
	2x16 Server Console Switch with Virtual Media	AF600A
	PS/2 Virtual Media Interface Adapter, 1 pack	AF604A
	<b>NOTE:</b> Requires PS/2 and one USB port on server.	
	Server Console Switch (KVM), 0 x 1 x 8 port	336044-B21
	Server Console Switch (KVM), 0 x 2 x 16 port	336045-B21
	PS/2 Interface Adapter, 1 pack	262588-B21
	PS/2 Interface Adapter, 8 pack	262587-B21
	USB Interface Adapter, 1 pack	336047-B21
	Serial Interface adapter - 1 Pack with power supply	373035-B21
	<b>NOTE:</b> Cat5e cables are required to connect Interface Adapters to Console Switches. Cat5e cables can be found at the following URL: <a href="http://www.hp.com/go/kvm">http://www.hp.com/go/kvm</a> .	
	HP 1x 4 USB/PS2 KVM Switch, RM (ALL)	371302-B21
	<b>NOTE:</b> For additional information regarding KVM switches, Serial Console servers, rack mount monitors, keyboards and all related options please see the following URL: <a href="http://www.hp.com/go/kvm">http://www.hp.com/go/kvm</a> .	

<b>HP Serial Console Server Options</b>	HP 16 Port Serial Console Server (worldwide)	AF101A
	HP 48 Port Serial Console Server (worldwide)	AF102A
	Serial Adapter, RJ45-DB9 DCE Female, 1 Pack	AF103A
	Serial Adapter, RJ45-DB9 DCE Female, 8 Pack	AF110A
	<b>NOTE:</b> Cat5e cables are required to connect Serial Adapters to Serial Console Servers. Additional Serial Adapters and Cat5e cables can be found at the following URL: <a href="http://www.hp.com/go/kvm">http://www.hp.com/go/kvm</a> .	
<b>NOTE:</b> For additional information regarding KVM switches, Serial Console servers, rack mount monitors, keyboards and all related options please see the following URL: <a href="http://www.hp.com/go/kvm">http://www.hp.com/go/kvm</a> .		

### Options

<b>Service and Support Offerings</b> (HP Care Pack Services)	<b>Hardware Services On-site Service</b>	
	4-Hour On-site Service, 5-Day x 13-Hour Coverage, 3 Years, Electronic	U4544E
	4-Hour On-site Service, 7-Day x 24-Hour Coverage, 3 Years, Electronic	U4545E
	<b>Hardware Services 6-Hour Call to Repair On-site Service</b>	
	6-Hour Call to Repair, On-site Service, 7-Day x 24-Hour Coverage, 3 Years, Electronic	U4546E
	<b>Installation &amp; Start-up Services</b>	
	Hardware Installation, Electronic	U4554E
	Installation & Start-Up of a ProLiant server and Microsoft or Linux O/S per the Customer Description and/or Data Sheet. To be delivered on a scheduled basis 8am-5pm, M-F, excl. HP holidays, Electronic	U4555E
	Installation and Startup for Essentials Rapid Deployment Pack, Electronic	U5683E
	<b>Support Plus</b>	
	Onsite HW support, 8am-9pm, M-F, 4hr response and Microsoft O/S SW Tech support offsite, onsite at HP's discretion, 8am-9pm, M-F 2hr response time excl. HP holidays, Electronic	U4556E
	<b>Support Plus 24</b>	
	Onsite HW support 24x7, 4hr response and Microsoft O/S SW Tech support offsite, onsite at HP's discretion, 24x7 2hr response time incl. HP holidays, Electronic	U4557E
Onsite HW support 24x7, 4hr response and SuSE Linux SW Tech support offsite, onsite at HP's discretion, 24x7 2hr response time incl. HP holidays, Electronic	U6312E	
Onsite HW support 24x7, 4hr response and Red Hat ES Linux SW Tech support offsite, onsite at HP's discretion, 24x7 2hr response time incl. HP holidays, Electronic	U8334E	
<b>NOTE:</b> For more information, customer/resellers can contact <a href="http://www.hp.com/services/carepack">http://www.hp.com/services/carepack</a>		

### Memory

**NOTE:** Memory configurations listed do not apply to "Factory Integrated Models".

**NOTE:** This server contains 8 DIMM slots. You can expand server memory by installing supported Registered DDR-2 FBDIMMs.

#### Memory configurations

The server supports the following Advanced Memory Protection (AMP) options to optimize server availability.

- Advanced ECC supporting up to 16 GB of active memory using 2-GB FBDIMMs.
- Online Spare Memory providing additional protection against degrading FBDIMMs supporting up to 12 GB of active memory and 4 GB of online spare memory utilizing 2-GB FBDIMMs.
- Mirrored Memory providing protection against failed FBDIMMs supporting up to 8 GB of active memory and 8 GB of mirrored memory utilizing 2-GB FBDIMMs.

Maximum memory capacities for all AMP modes will increase with the availability of 4-GB and 8-GB FBDIMMs, including a maximum of 64 GB in Advanced ECC mode.

The Advanced Memory Protection option is configured in RBSU. By default, the server is set to Advanced ECC mode. For more information, refer to HP ROM-Based Setup Utility (on page 56). If the configured AMP mode is not supported by the installed FBDIMM configuration, the system boots in Advanced ECC mode.

The following configuration requirements apply to all AMP modes:

- FBDIMMS must be ECC Registered DDR-2 SDRAM FBDIMMs.
- FBDIMMs must be installed in pairs.
- FBDIMM pairs in a memory bank must have identical HP part numbers.
- FBDIMMS must be populated as specified for each AMP memory mode.

The memory subsystem for this server is divided into two branches. Each memory branch is essentially a separate memory controller. The FBDIMMs map to the two branches as indicated in the following table:

Branch 0	Branch 1
FBDIMM 1A	FBDIMM 5B
FBDIMM 3A	FBDIMM 7B
FBDIMM 2C	FBDIMM 6D
FBDIMM 4C	FBDIMM 8D

This multi-branch architecture provides enhanced performance in Advanced ECC mode. The concept of multiple branches is important for the operation of online spare mode and mirrored memory mode.

If the server contains more than 4 GB of memory, consult the operating system documentation about accessing the full amount of installed memory.

#### Advanced ECC memory



### Memory

Advanced ECC memory is the default memory protection mode for this server. In Advanced ECC, the server is protected against correctable memory errors. The server provides notification if the level of correctable errors exceeds a pre-defined threshold rate. The server does not fail because of correctable memory errors. Advanced ECC provides additional protection over Standard ECC in that it is possible to correct certain memory errors that would otherwise be uncorrectable and result in a server failure.

Whereas standard ECC can correct single-bit memory errors, Advanced ECC can correct single-bit memory errors and multi-bit memory errors if all failed bits are on the same DRAM device on the FBDIMM.

In addition to general configuration requirements, Advanced ECC memory also has the following configuration requirements:

- FBDIMMs must be installed in pairs unless operating in single-FBDIMM mode. The server supports single-FBDIMM mode only in FBDIMM slot 1A.
- FBDIMMs must be installed in sequential order, beginning with bank A.

In Advanced ECC mode, FBDIMMs must be populated as specified in the following table:

Configuration	Bank A 1A and 3A	Bank B 5B and 7B	Bank C 2C and 4C	Bank D 6D and 8D
1	X	-	-	-
2	X	X	-	-
3	X	X	X	-
4	X	X	X	X

#### Online spare memory configuration

Online spare memory provides protection against degrading FBDIMMs by reducing the likelihood of uncorrectable memory errors.

An understanding of single-rank and dual-rank FBDIMMs is required to understand memory usage in online spare mode. FBDIMMs can either be single-rank or dual-rank. Certain FBDIMM configuration requirements are based on these classifications. A dual-rank FBDIMM is similar to having two separate FBDIMMs, or ranks, on the same module. Although only a single FBDIMM module, a dual-rank FBDIMM acts as two separate FBDIMMs. The purpose of dual-rank FBDIMMs is to provide the largest capacity FBDIMM for the current DRAM technology. If the current DRAM technology allows for 2-GB single-rank FBDIMMs, a dual-rank FBDIMM using the same technology would be 4-GB.

In online spare mode, a single rank of memory acts as the spare memory. For single-rank FBDIMMs, the entire FBDIMM acts as the spare memory. For a dual-rank FBDIMM, only half of the FBDIMM acts as the spare memory while the other half is available for operating system and application usage.

If one of the non-spare FBDIMMs receives correctable memory errors at a higher rate than a specific threshold, the server automatically copies the memory contents of the degraded rank to the online spare rank. The server then deactivates the failing rank and automatically switches over to the online spare. Because FBDIMMs that experience a high rate of correctable memory errors have a higher probability of receiving an uncorrectable memory error, this effectively reduces the likelihood of uncorrectable memory errors that would result in server downtime.

Online spare is performed per branch of the memory controller. For a server populating both branches, two ranks are utilized for online spare memory. One branch can have a fail over to the associated online spare while the other branch is still protected.

Each branch is made up of two banks:

- Branch 0 contains banks A and C
- Branch 1 contains banks B and D

Online spare FBDIMM configuration requirements (in addition to general configuration requirements):

- When only bank A is being used, it must be fully populated with dual-rank FBDIMMs.
- If banks A and C are being used, they must be fully populated.

## Memory

- If installed, bank A and bank C must contain FBDIMMs with identical part numbers.
- If installed, bank B and bank D must also contain FBDIMMs with identical part numbers.

In online spare mode, FBDIMMs must be populated as specified in the following table:

Configuration	Branch 0 Bank A 1A and 3A	Branch 0 Bank C 2C and 4C	Branch 1 Bank B 5B and 7B	Branch 1 Bank D 6D and 8D
1*	X	-	-	-
2	X	X	-	-
3	X	X	X	X

**\*NOTE:** Configuration 1 is only supported if using bank A, populated with dual-rank FBDIMMs.

After installing FBDIMMs, use RBSU to configure the system for online spare memory support ("Configuring online spare memory" on page 57).

### Mirrored memory configuration

Mirroring provides protection against uncorrectable memory errors that would otherwise result in server downtime.

Mirroring is performed on the branch level. Branch 0 and branch 1 mirror each other.

Each branch maintains a copy of all memory contents. Memory writes go to both branches. Memory reads come from only one of the two branches (unless an uncorrectable error occurs). If a memory read on one branch returns incorrect data due to an uncorrectable memory error, the system automatically retrieves the proper data from the other branch. A branch is not necessarily disabled (thus losing mirroring protection) because of a single uncorrectable error. Mirroring protection is not lost due to transient and soft uncorrectable errors, resulting in systems that maintain mirroring protection (and thus improved uptime) unless there is a true FBDIMM failure.

Because both branches are active, concurrent reads from both branches at the same time are possible. Therefore, mirroring provides superior read performance compared to all other Advanced Memory Protection modes.

Mirrored memory FBDIMM configuration requirements (in addition to general configuration requirements):

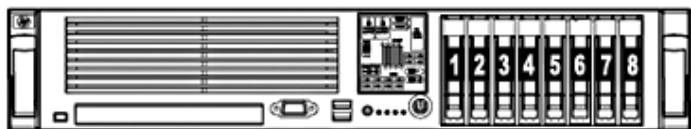
- Banks A and B must be fully populated.
- Bank A and bank B must contain FBDIMMs with identical part numbers. If installed, bank C and bank D must also contain FBDIMMs with identical part numbers.

When using mirrored memory mode, FBDIMMs must be populated as specified in the following table:

Configuration	Bank A 1A and 3A	Bank B 5B and 7B	Bank C 2C and 4C	Bank D 6D and 8D
1	X	X	-	-
2	X	X	X	X

**NOTE:** After installing FBDIMMs, use RBSU to configure the system for mirrored memory support ("Configuring mirrored memory" on page 57).

### Storage



1-8 Eight SFF SAS hot plug hard drive bays

### Drive Support

	Quantity Supported	Position Supported	Controller
<b>Removable Media</b>			
1.44-MB Diskette Drive	Only 1 available removable media bay	Slimline bay	Integrated diskette <b>NOTE: Optional</b>
Slimline CD-RW/DVD-ROM Combo Option Kit <b>NOTE: Included in performance models.</b>	Only 1 available removable media bay	Slimline bay	Integrated IDE <b>NOTE: Optional</b>
Slimline DVD-ROM Drive (8x/24x) Option Kit	Only 1 available removable media bay	Slimline bay	Integrated IDE <b>NOTE: Optional</b>
HP ProLiant Slim CD-ROM x24	Only 1 available removable media bay	Slimline bay	Integrated IDE <b>NOTE: Optional</b>
HP DVD±R/RW 8X Slim	Only 1 available removable media bay	Slimline bay	Integrated IDE <b>NOTE: Optional</b>

### Hard Drives

#### SAS - Hot Plug Drives

	Quantity Supported	Position Supported	Controller
36GB 3G SAS 10K	Up to 8	1-8	HP Smart Array E200/64MB Controller
72GB 3G SAS 10K			HP Smart Array E200/128 BBWC Controller
146GB 3G SAS 10K SP			HP Smart Array P400/256MB Controller
			HP Smart Array P400/512MB BBWC Controller
			HP Smart Array P600/256 BBWC Controller
			<b>NOTE: Optional mixed PCI-X/E required for SA-P600.</b>

#### SATA - Hot Plug Drives

Quantity Supported	Position Supported	Controller
--------------------	--------------------	------------

### Storage

60GB 1.5G SATA 5.4K	Up to 8	1-8	HP Smart Array E200/64MB Controller HP Smart Array E200/128 BBWC Controller HP Smart Array P400/256MB Controller HP Smart Array P400/512MB BBWC Controller HP Smart Array P600/256 BBWC Controller <b>NOTE:</b> Optional mixed PCI-X/E required for SA-P600.
---------------------	---------	-----	---

### External Storage

	Quantity Supported	Position Supported	Host Controller or Adapter
Modular Smart Array 20 Family	1 per SCSI VHDCI connector	External	Smart Array 6402/128 Controller Smart Array 6404/256 Controller <b>NOTE:</b> Optional mixed PCI-X/E cage required.
Modular Smart Array 50 Enclosure	2 per connector (supports 1+1 cascading)	External	HP Smart Array P600/256 BBWC Controller <b>NOTE:</b> Optional mixed PCI-X/E cage required.
Modular Smart Array 500 G2	1 per SCSI	External	Please see the Modular Smart Array 500 or 500 G2 QuickSpecs for the latest list of supported HBAs: <a href="http://www.hp.com/go/msa500">http://www.hp.com/go/msa500</a> .
Modular Smart Array 1000:	<a href="http://h18000.www1.hp.com/products/quickspecs/11033_div/11033_div.HTML">http://h18000.www1.hp.com/products/quickspecs/11033_div/11033_div.HTML</a> (Worldwide)		
Modular Smart Array 1500 cs:	<a href="http://www.hp.com/go/MSA1500cs">http://www.hp.com/go/MSA1500cs</a>		

### Maximum Storage Capacity - (with MSA50)

Internal	576GB (8 x 72GB SAS SFF)
External	1,440TB (20 x 72GB SAS SFF)
Total	2.016TB

### Tape Drives, Tape Autoloaders, & Tape Libraries

**NOTE:** For an up-to-date listing of the latest O/S Support details for each of the Tape Drives listed below, please see the following: <http://h18000.www1.hp.com/products/quickspecs/Division/10233.html> (Worldwide)

**NOTE:** For an up-to-date listing of the latest O/S Support details for each of the Tape Autoloaders & Tape Libraries listed below, please see the following: <http://h18000.www1.hp.com/products/quickspecs/Division/10809.html> (Worldwide)

**NOTE:** For complete listing of tape drive offerings see <http://www.hp.com/products1/storage/compatibility/tapebackup/ISS/index.html>

For recommended tape drive offerings for this ProLiant server see the following:

	Position Supported	Controller	Part Number
<b>HP StorageWorks Tape Drives, External</b> DAT 24 USB DAT 40 USB DAT 72 USB	External	USB 2.0 Port	N/A

### Storage

<b>HP StorageWorks Tape Drives, SCSI External</b> Ultrium 232 Ultrium 448 Ultrium 460 Ultrium 920 Ultrium 960 DAT 40 DAT 72 DLT VS80 DLT VS160 SDLT 320 SDLT 600	External	HP SC11Xe Host Bus Adapter  64-Bit/133-MHz Single Channel Ultra320 SCSI HBA G2 <b>NOTE:</b> Mixed Riser Cage Option (410570-B21) required to connect the HBA.	412911-B21  374654-B21
<b>HP StorageWorks Tape Drives, SAS External</b> Ultrium 448 SAS	External	HP 8 Internal Port SAS HBA with RAID 0/1 <b>NOTE:</b> Mixed Riser Cage Option (410570-B21) required to connect the SAS HBA. <b>NOTE:</b> Please visit <a href="http://www.hp.com/go/connect">http://www.hp.com/go/connect</a> for details about minimum SAS controller firmware version and SAS cabling requirements.	347786-B21
<b>HP StorageWorks SCSI Rack-Mount Tape Drive Enclosures</b> 1U Rack-Mount Kit 3U Rack-Mount Kit	External	HP SC11Xe Host Bus Adapter  64-Bit/133-MHz Single Channel Ultra320 SCSI HBA G2 <b>NOTE:</b> Mixed Riser Cage Option (410570-B21) required to connect the HBA.	412911-B21 374654-B21
<b>HP StorageWorks USB Rack-Mount Tape Drive Enclosures</b> 1U Rack-Mount Kit	External	USB 2.0 Port	N/A
<b>HP StorageWorks SAS Rack-Mount Tape Drive Enclosures</b> 1U Rack-Mount Kit	External	HP 8 Internal Port SAS HBA with RAID 0/1 <b>NOTE:</b> Mixed Riser Cage Option (410570-B21) required to connect the SAS HBA. <b>NOTE:</b> Please visit <a href="http://www.hp.com/go/connect">http://www.hp.com/go/connect</a> for details about minimum SAS controller firmware version and SAS cabling requirements.	347786-B21
<b>HP StorageWorks Tape Autoloaders, External</b> DAT 72x10 Autoloader 1/8 Tape Autoloader	External	HP SC11Xe Host Bus Adapter  64-Bit/133-MHz Single Channel Ultra320 SCSI HBA G2 <b>NOTE:</b> Mixed Riser Cage Option (410570-B21) required to connect the HBA.	412911-B21 374654-B21

## Storage

### HP StorageWorks Tape Libraries, External

MSL2024 (Ultrium 448 and 960-based)

MSL4048 (Ultrium 448 and 960-based)

MSL6000 (Ultrium 960 and 460-based)

MSL6000 (SDLT 600-based)

External

Please consult the EBS connectivity matrix at <http://www.hp.com/go/ebs> for detailed connectivity information

N/A

## Power Specifications

Power Supply Specification - AC	Part number					
	380622-001					
	Spare Kit					
	403781-001					
Operational Input Voltage Range (Vrms)	90 to 264					
Frequency Range (Nominal) (Hz)	47 to 63 (50/60)					
Nominal Input Voltage (Vrms)	100	120	208	220	230	240
Max Rated Output Wattage Rating	800	850	1000	1000	1000	1000
Nominal Input Current (A rms)	10.0	8.8	5.85	5.5	5.2	4.97
Max Rated Input Wattage Rating (Watts)	980	1035	1193	1186	1172	1169
Max. Rated VA (Volt-Amp)	1000	1056	1217	1210	1196	1193
Efficiency (%)	81.5	82	84	84	85	85.5
Power Factor	0.98	0.98	0.98	0.98	0.98	0.98
Leakage Current (mA)	0.44	0.52	0.91	0.96	1.00	1.04
Max. Inrush Current (A peak)	30	30	30	30	30	30
Max. Inrush Current duration (mS)	3	3	3	3	3	3

Power Supply Specification - DC	Part number					
	412837-001					
	Spare Kit					
	419613-001					
Operational Input Voltage Range (Vrms)	-36.0 to -72.0V DC					
Frequency Range (Nominal) (Hz)	DC					
Nominal Input Voltage (Vrms)	36	48	72			
Max Rated Output Wattage Rating	1210	1210	1210			
Nominal Input Current (A rms)	38	29	20			
Max Rated Input Wattage Rating (Watts)	1368	1392	1440			
Efficiency (%)	87.6	87.6	86			
Max. Inrush Current (A peak)	60	60	60			
Max. Inrush Current duration (mS)	100	100	100			

### NOTES:

- To review typical system power ratings use the Active Answers Power Calculator which is available via the online tool located at url: <http://h30099.www3.hp.com/configurator/calc/Power%20Calculator%20Catalog.xls>

To drill down to calculators:

- Click on: "ProLiant Servers"
- Click on the Server of interest. Example: DL380 G5
- Click on: "Power Calculator" link. (You may need to scroll down to see it)

### Technical Specifications

<b>System Unit</b>	<b>Dimensions</b> (HxWxD) (with feet/bezel)	3.38 x 17.54 x 26.01 in (8.59 x 44.54 x 66.07 cm)
	<b>Weight</b> (approximate)	Maximum 60 lb (27.22 kg) Minimum 47.18 lb (20.41 kg)
	<b>Input Requirements</b> (per power supply)	Rated Line Voltage 100-132 VAC, 200-240 VAC Rated Input Current 10A (100VAC), 10A (120VAC), 6.1A (200VAC) Rated Input Frequency 50 to 60 Hz Rated Input Power 1000/1056/1205 W
	<b>BTU Rating</b>	BTU/HR 3490/3680/4150
	<b>Power Specifications</b>	To review typical system power ratings use the Active Answers Power Calculator which is available via the online tool located at URL: <a href="http://h30099.www3.hp.com/configurator/powercalcs.asp">http://h30099.www3.hp.com/configurator/powercalcs.asp</a> . To drill down to calculators: - Click on: "ProLiant Servers" - Click on the Server of interest. Example: DL380 G5 - Click on: "Power Calculator" link. (You may need to scroll down to see it.)
	<b>Power Supply Output Power</b> (per power supply)	Rated Steady-State Power 800/850/1000 W Maximum Peak Power 800/850/1000 W
	<b>Temperature Range</b>	Operating 50° to 95° F (10° to 35° C) at sea level with an altitude de-rating of 1.8° F per 1000 ft (1.0° C per 304.8 m) to 10,000 ft (3048 m) no direct sunlight allowed. Maximum rate of change is 18° F/Hr (10° C/Hr). Upper operating limit is 10,000 ft (3,048 m) or 70 Kpa/10.1 psia. System performance may be reduced if operating with a fan fault or above 30° C. Non-operating -22° to 140° F (-30° to 60° C) Maximum rate of change is 36° F/Hr (20° C/Hr). Upper non-operating limit is 30,000 ft (9,144 m) or 30.3KPa/4.4 psia.
	<b>Maximum Wet Bulb Temperature</b>	101.7° F (38.7° C)
	<b>Relative Humidity</b> (non-condensing)	Operating 10% to 90% relative humidity (Rh), 28° C maximum wet bulb temperature. Non-operating 5% to 95% relative humidity (Rh), 38.7° C maximum wet bulb temperature.
	<b>Acoustic Noise</b>	Idle Minimum (Fixed Disk Drives Spinning) L WAd (BELS) 6.4 L pAm (dBA) 47 Operating Minimum (Random Seeks to Fixed Disks) L WAd (BELS) 6.6 L pAm (dBA) 49



### Technical Specifications

<b>Smart Array P400 Controller</b>	<b>Disk Drive and Enclosure Interface</b>	3G SAS (Serial Attached SCSI) 1.5G SATA (Serial Advanced Technology Attachment)
	<b>SAS Connectors</b>	2 internal (SFF8484) x4 wide port connectors
	<b>Cache Memory Speed</b>	DDR2-533MHz with 40 or 72-bit wide bus provides up to 4.2 GB/s maximum bandwidth.
	<b>Server Interface</b>	x8 2.5G PCIe provides 2GB/s maximum bandwidth.
	<b>SAS Speed</b>	x8 3G SAS provides 2.4GB/s maximum bandwidth.
	<b>Cache Memory</b>	40-bit 256MB cache (72-bit 512MB module upgrades available); ECC protection, battery-backed, and transportable
	<b>Logical Drives Supported</b>	Up to 32 logical drives
	<b>Maximum Logical Drive Capacity</b>	3TB (6 x 500GB)
	<b>Host Memory Addressing</b>	64-bit, supporting greater than 4GB server memory space
	<b>RAID Support</b>	RAID 6 with ADG (Advanced Data Guarding) requires Battery Backed Write Cache Upgrade RAID 5 (Distributed Data Guarding) RAID 1+0 (Striping & Mirroring) RAID 0 (Striping)

<b>Smart Array E200 Controller</b>	<b>Disk Drive and Enclosure Interface</b>	3G SAS (Serial Attached SCSI) 1.5G SATA (Serial Advanced Technology Attachment)
	<b>SAS Connectors</b>	2 internal (SFF8484) x4 wide port connectors
	<b>Cache Memory Speed</b>	DDR1-266 MHz provides up to 4.2 GB/s maximum bandwidth.
	<b>Server Interface</b>	x8 2.5G PCIe provides 2GB/s maximum bandwidth.
	<b>SAS Speed</b>	x8 3G SAS provides 2.4GB/s maximum bandwidth.
	<b>Cache Memory</b>	40-bit 64MB cache or a 128MB battery backed cache: ECC protection, battery-backed, and transportable
	<b>Logical Volumes Supported</b>	Up to 32 logical volumes
	<b>Maximum Volume Capacity</b>	3 TB (6 x 500 GB)
	<b>Host Memory Addressing</b>	64-bit, supporting greater than 4GB server memory space
	<b>RAID Support</b>	RAID 5 (Distributed Data Guarding) RAID 1+0 (Striping & Mirroring) RAID 0 (Striping)

### Technical Specifications

<b>Embedded Dual NC373i Multifunction Gigabit NICs</b>	<b>Network Interface</b>	10Base-T/100Base-TX/1000Base-TX	
	<b>Compatibility</b>	IEEE 802.3 10Base-T	
		IEEE 802.3ab 1000Base-T	
		IEEE 802.3u 100Base-TX	
	<b>Data Transfer Method</b>	PCI Express, four lanes (x4)	
	<b>Network Transfer Rate</b>	10Base-T (Half-Duplex)	10 Mb/s
		10Base-T (Full-Duplex)	20 Mb/s
		100Base-TX (Half-Duplex)	100 Mb/s
		100Base-TX (Full-Duplex)	200 Mb/s
		1000Base-TX (Half and Full-Duplex)	2000Mb/s
<b>Connector</b>	Two RJ-45		
<b>Cable Support</b>	10Base-T	Categories 3, 4 or 5 UTP; up to 328 ft (100 m)	
	100Base-TX	Category 5 or higher UTP; up to 328 ft (100 m)	
	1000BaseTX	Category 5 or higher UTP; up to 328 ft (100 m)	

© Copyright 2006 Hewlett-Packard Development Company, L.P.

The information contained herein is subject to change without notice.

Microsoft and Windows NT are US registered trademarks of Microsoft Corporation. Intel is a US registered trademark of Intel Corporation.

The only warranties for HP products and services are set forth in the express warranty statements accompanying such products and services. Nothing herein should be construed as constituting an additional warranty. HP shall not be liable for technical or editorial errors or omissions contained herein.

For hard drives, 1 GB = 1 billion bytes. Actual formatted capacity is less.