

---

# HP 16500C Logic Analysis System and Measurement Modules

## HP 16505A Prototype Analyzer and Tool Sets

### Configuration Guide

---



**Table of Contents**

---

	<b>Page</b>
Overview .....	3
HP 16500C Logic Analysis System Mainframe and HP 16501A Expansion Frame . . . .	3
HP 16505A Prototype Analyzer.....	3
Measurement Modules.....	5
General-purpose State and Timing Analyzers.....	5
High-Speed Timing and Synchronous State Analyzers .....	6
Oscilloscope Modules .....	7
Pattern Generator.....	8
HP MultiProbe System.....	9
HP B3740A Software Analyzer .....	11
Tool Sets for the HP 16505A Prototype Analyzer.....	11
Run Control.....	11
Upgrade Kit.....	11
Training and Consulting.....	11
Printing.....	12
LAN.....	12
System Software.....	13
Compatibility Matrix .....	13
For More Information .....	14

The HP 16500C logic analysis system and HP 16505A prototype analyzer work together to solve problems when verifying and debugging physical prototypes of complex digital electronic systems. They are designed to give you insight into both hardware and software. They are especially valuable in understanding software-hardware interaction. The HP 16500C logic analysis system can be used as a stand-alone component. The HP 16505A prototype analyzer adds a large-screen, windowed user interface and advanced analysis capabilities to the HP 16500C.

The HP 16500C and 16505A system includes the following components:

- An HP 16500C logic analyzer mainframe (required) with one HP 16501A expander frame (optional)
- An HP 16505A prototype analyzer (optional)
- Measurement modules for the HP 16500C (required)
- Preprocessors for microprocessors or buses (optional)
- Tool sets for the HP 16505A prototype analyzer (optional)

A broad variety of probing adapters and accessories are also available. For more information, refer to *Accessories for HP Logic Analyzers*, product overview, HP publication number 5963-3376E.

### The HP 16500C Logic Analysis System Mainframe and HP 16501A Expansion Frame

The HP 16500C logic analysis system mainframe provides five slots for any of the measurement modules listed under "Measurement Modules" below. The HP 16501A expansion frame adds an additional five slots. One HP 16501A can be combined with one HP 16500C for a total of ten measurement modules in one system.

#### Interfaces provided on the HP 16500C

- LAN, IEEE802.3  
Refer to "LAN", page 12
- RS-232-C, 9-pin connector
- Centronics parallel printer port
- HP-IB (IEEE488)

A 1.44 MB, 3.5 inch floppy drive and a hard disk drive are included in the HP 16500C. The standard HP 16500C comes with 8 MB of memory. DIN connectors are provided on the HP 16500C for a PS-2 keyboard and mouse. See "Accessories provided", page 4 and "Accessories available." A training kit is provided with the HP 16500C, as well as an installation guide, a user's guide, and a user's reference.

### HP 16505A Prototype Analyzer

The HP 16505A prototype analyzer adds a large-screen, windows-based user interface and advanced analysis capabilities to the HP 16500C. The HP 16505A supports one HP 16500C and one HP 16501A (optional).



Figure 1. HP 16500C and 16505A System

HP Model Number	HP 16500C	HP 16501A <sup>1</sup>	HP 16505A <sup>3</sup>
<b>Accessories Provided</b>	<ul style="list-style-type: none"> <li>• One PS-2 mouse</li> <li>• One 10-conductor, flying-lead cable to connect the target control port to the target system</li> <li>• Training kit</li> </ul>		<ul style="list-style-type: none"> <li>• Keyboard</li> <li>• Mouse</li> <li>• Cable to connect the HP 16505A to the HP 16500C</li> </ul>
<b>Accessories Available</b>	<ul style="list-style-type: none"> <li>• HP E2427B keyboard. The keyboard includes an overlay for the special function keys.</li> <li>• The HP 1181A testmobile system cart is recommended for the HP 16500C. Recommended accessories for use with the HP 1181A cart include:</li> <li>• HP 35181D work surface for keyboard and mouse</li> <li>• HP 35181G 133-mm (5.25-inch) storage drawer</li> <li>• HP part number 5181-8723 support shelf</li> </ul>		<ul style="list-style-type: none"> <li>• Monitor and monitor cable The HP 16505A supports any SVGA monitor with the characteristics shown below: Resolution    Frequency 1024 x 768    60 Hz, 72 Hz, 75 Hz 800 x 600    75 Hz</li> <li>• A monitor with 1024 x 768 or greater resolution is recommended. With option UF3, 1 MB video RAM, the HP 16505A supports SVGA monitors with 1280 x 1024 resolution at 50 Hz, 60 Hz, or 72 Hz.<sup>2</sup></li> </ul>
<b>Options Available</b>			
<b>Option No.</b>	<b>Description</b>		
ABD	• German language training kit manual		
ABF	• French language training kit manual		
ABJ	• Japanese language users guide and training kit manual	• Japanese language users guide and training kit manual	
ANT			• Add 64-MB RAM for a total of 96 MB. Recommended for use with 16500C systems with two or more 16554A, 16555A, 16555D, 16556A, or 16556D modules, and for use with the HP B4620A software analyzer.
W03	• Convert standard one-year, return-to-HP warranty to three-month, on-site warranty	• Convert standard one-year, return-to-HP warranty to three-month, on-site warranty	• Convert standard one-year, return-to-HP warranty to three-month, on-site warranty
W30	• Three-year, return-to-HP repair service	• Three-year, return-to-HP repair service	
OB0	• Delete manual set		
OB1			• Add service manual (not required for normal operation).
0BF	• Add programmer's guide		
0B3	• Add service guide		
001	• 16 MB memory (recommended for use with the symbol download utility, for some very large symbol tables; also recommended when the HP 16501A expansion frame is used with the HP 16500C). Also recommended for use with the HP B3740A software analyzer.		
060	• External removable hard disk drive		
908	• Rackmount kit	• Rackmount kit	
UF3			• 1-MB video RAM. Enables support for SVGA local monitors with 1280 x 1024 resolution.
<b>HP Reference Publications</b>	<p><i>HP 16500C Logic Analysis System and HP 16505A Prototype Analyzer Product Overview</i>, pub. no. 5965-3187E</p> <p><i>The HP 16500C Logic Analysis System Frame and HP 16501A Expansion Frame Technical Specifications</i>, pub. no. 5965-3184E</p> <p><i>HP Rack Solutions Catalog</i>, pub. no. 5963-1053E</p> <p><i>HP 16505A Prototype Analyzer color brochure</i>, pub. no. 5963-1857E</p>		

<sup>1</sup> Note: To use an HP 16501A with an HP 16500B logic analysis frame, an HP 16500H interface module is required.

<sup>2</sup> Note: A local monitor is not required for remote operation of the HP 16505A. However, a local monitor is required for system initialization and to update system software and for password entry.

<sup>3</sup> Note: To use an HP 16505A with an HP 16500B logic analysis frame (or an HP 16500A which has been upgraded with an HP 16500U upgrade kit), an HP 16500H interface module is required. The interface module is not required to use the HP 16505A with an HP 16500C.

## Measurement Modules

### General-Purpose State and Timing Analyzers

	HP 16550A	HP 16554A	HP 16555A	HP 16555D	HP 16556A	HP 16556D
Channels Per Card	102	68	68	68	68	68
Maximum Channels on a Single Time Base and Trigger	204	204	204	204	340	340
Maximum Channels in a Single HP 16500C Frame	510	340	340	340	340	340
Maximum Channels in a System (one HP 16500C and one HP 16501A)	1020	680	680	680	680	680
Maximum State Clock Speed	100 MHz	70 MHz	110 MHz	110 MHz	100 MHz	100 MHz
Maximum Timing Sampling Rate	500 MHz	250 MHz	500 MHz	500 MHz	400 MHz	400 MHz
Memory Depth (Full Channel)	4K	500K	1 M	2 M	1 M	2 M
Number of State Clocks/Qualifiers (see note)	6	4	4	4	4	4

<sup>4</sup> Note: Clocks and qualifiers are available only on the master card in multi-card configurations.

HP Model Number	HP 16554A, HP 16555A, HP 16555D, HP 16556A, HP 16556D			HP 16550A
Accessories Provided	Description	HP Part Number	Quantity	Quantity
	• Probe tip assemblies	01650-61608	4	6
	• Surface mount grabbers	5090-4356	4 packages of 20	6 packages of 20
	• Extra probe leads	5959-9333	1 package of 5	1 package of 5
	• Extra probe grounds <sup>5</sup>	5959-9334	4 packages of 5	6 packages of 5
	• Probe cables	16555-61606	2	3 (01660-61605)
	• Probe cable ID clips	16500-41201	0	1
	• Probe cable and pod labels	01650-94301	1	1
	• Double probe adapter <sup>5</sup>	16542-61607	1	1
	• Ferrite core assembly <sup>5</sup>	16555-60001	2	0
Options Available	Option Number	Description		
	ABJ	Japanese language manual (not available on HP 16556A or 16556D)		
	ABO	Chinese (Taiwan) language training guide (Only available on HP 16550A)		
	W03	Convert standard one-year, return-to-HP warranty to three-month, on-site warranty		
	W30	Three-year, return-to-HP repair service		
	0B0	Delete manual set		
	0BF	Add programmer's guide		
	0B3	Add service guide		
HP Reference Publications	<i>Accessories for HP Logic Analyzers</i> , Product Overview, pub. no. 5963-3376E <i>A Family of State and Timing Analyzers for the HP 16500B Logic Analysis System</i> , Product Overview, pub. no. 5962-7245E			

<sup>5</sup> Note: Included with HP 16554A, 16555A, 16555D, 16556A, and 16556D only

High-Speed Timing and Synchronous State Analyzers, HP 16517A and 16518A

	Timing mode		Synchronous State Mode
	Full Channel	Half Channel	Full Channel
Maximum Sample Rate	2 GSa/s	4 GSa/s	1 GSa/s 2 GSa/s <sup>6</sup>
Channels Per Card	16	8	16
Maximum Channels on a Single Time Base and Trigger, and in a Single HP 16500C Frame	80	40	80
Maximum Channels in a System (One HP 16500C and One HP 16501A)	160	80	160
Memory Depth	64 K	128 K	64 K

Accessories Provided <sup>7</sup>	Description	HP Part Number	Quantity in Kit
	• Right angle ground leads	16517-82106	20
	• Ground extenders for 0.1-inch center connectors	16517-82105	20
	• 4-to-1 ground connectors	16517-27601	2
	• Probe pins	16517-82107	4
	• Tack-on signal and ground wires	16517-82104	4 each
	• SMT grabbers for IC leads to 0.05-inch spacing	16517-82108	20
	• Calibration pod	16517-63201	1

Options Available	Option Number	Description
	ABJ	• Japanese language manual
	W03	• Convert standard one-year return-to-HP warranty to three-month, on-site warranty
	W30	• Three-year, return-to-HP repair service

HP Reference Publications	
	• <i>4-GSa/s Timing and 1-GSa/s Synchronous State for the HP 16500A/B Logic Analysis System</i> Color Brochure, pub. no. 5091-8096E
	• <i>The HP 16517/18A</i> , Technical Specifications, pub. no. 5091-7216E
	• <i>Accessories for HP Logic Analyzers</i> , Product Overview, pub. no. 5963-3376E

<sup>6</sup> With oversampling

<sup>7</sup> To order a complete kit of all accessories, order HP part number 16517-68701 (for HP 16517A) or 16518-68701 (for HP 16518A).

## Measurement Modules

### Oscilloscope Modules, HP 16533A and HP 16534A

	HP 16533A	HP 16534A
Channels Per Card	2	2
Maximum Number of Channels on a Single Trigger and Time Base	8	8
Maximum Number of Channels in a Single HP 16500C Frame	10	10
Maximum Number of Channels in a System (one HP 16500C and one HP 16501A)	20	20
Bandwidth	250 MHz	500 MHz
Maximum Sampling Rate	1 GSa/s	2 GSa/s
Memory Depth	32K	32K

**Accessories Provided** 10:1, 10-pF, 1-M $\Omega$  probes, quantity two (HP 10441A)

Accessories Available	HP Model Number	Description
	HP 1144A	Active probe, 800-MHz, 10:1, 1-M $\Omega$ , 2-pF <sup>8</sup>
	HP 01144-61604	Adapter to provide power to two HP 1144A probes
	HP 1145A	Dual, active, 750-MHz, 10:1, 1-M $\Omega$ , 1.6-pF probe <sup>8</sup>
	HP 1141A	200-MHz differential probe (requires HP 1142A power supply)
	HP 1142A	Probe power supply (required for HP 1141A)
	HP 10442A	10:1, 500- $\Omega$ , 1.2-pF probe
	HP 10443A	20:1, 1000- $\Omega$ , 1.2-pF probe

Options Available	Option Number	Description
	ABJ	Japanese language manual
	W03	Convert standard one-year return-to-HP warranty to three-month on-site warranty
	W30	Three-year return-to-HP repair service
	0B0	Delete manuals
	001 (HP 16534A only)	Add one HP 1145A, dual, active, 750-MHz probe

**HP Reference Publications** *Oscilloscope Modules for the HP 16500B Logic Analysis System*, Product Overview, pub. no. 5964-0238E

<sup>8</sup>Note: The HP 16533A and HP 16534A provide power for HP 1144A and HP 1145A active probes.

## Measurement Modules

### Pattern Generator, HP 16522A

The HP 16522A pattern generator can be operated independently, or up to five HP 16522As can be combined in a master-expander configuration. One HP 16522A operated as a master can support up to four HP 16522A expanders.

#### Capabilities

Channels Per Card	
At 100-200 MHz	20
At ≤ 100 MHz	40
Maximum Number of Channels on a Single Time Base	200
Maximum Number of Channels in a Single 16500C Frame	200
Maximum Number of Channels in a System (one HP 16500C and one HP 16501A)	400
Maximum Clock Speed	200 MHz
Memory Depth	258,048 vectors

Accessories Available	HP Model Number	Description
	HP 10460A	TTL clock pod <sup>9</sup>
	HP 10461A	Eight-channel TTL data pod <sup>10</sup>
	HP 10462A	Eight-channel, three-state TTL/CMOS data pod <sup>10</sup>
	HP 10463A	ECL clock pod <sup>9</sup>
	HP 10464A	Eight-channel, ECL terminated data pod <sup>10</sup>
	HP 10465A	Eight-channel, ECL unterminated data pod <sup>10</sup>
	HP 10466A	Eight-channel, three-state TTL/3.3-V data pod <sup>10</sup>
	HP 10474A	Eight-channel, probe lead set <sup>9,10</sup>
	HP 10374A	Eight-channel, coaxial probe lead set (recommended for unterminated ECL pods only) <sup>9,10</sup>
Options Available	Option Number	Description
	W03	Convert standard one-year, return-to-HP warranty to three-month, on-site warranty
	W30	Three-year, return-to-HP repair service
	0B0	Delete manuals
	011	TTL clock pod and lead set <sup>9</sup>
	012	Three-state, TTL/3.3V data pod and lead set <sup>10</sup>
	013	Three-state, TTL/CMOS data pod and lead set <sup>10</sup>
	014	TTL data pod and lead set <sup>10</sup>
	021	ECL clock pod and lead set <sup>9</sup>
	022	ECL terminated data pod and lead set <sup>10</sup>
	023	ECL unterminated data pod and lead set <sup>10</sup>
HP Reference Publications	<i>Accessories for HP Logic Analyzers</i> , Product Overview, pub. no. 5963-3376E. <i>HP 16522A 200 Mvector/sec Pattern Generator Module for the HP 16500B Logic Analysis System</i> , Product Overview, pub. no. 5964-2250E	

<sup>9</sup> Note: At least one clock pod and lead set must be ordered for each HP 16522A used as a master.

<sup>10</sup> Note: Order at least one data pod and lead set for each eight HP 16522A output channels that you intend to use (maximum of five per HP 16522A).



## The HP MultiProbe System

The HP MultiProbe system allows you to connect active oscilloscope probes simultaneously to hundreds of nodes. You can then select any two signals at a time for scope acquisition and viewing without having to move scope probes.

An HP MultiProbe system consists of the following components:

- An HP 16500C logic analysis mainframe
- An HP 16535A MultiProbe control module
- One or more HP MultiProbe pods
- An oscilloscope

### HP 16500C Logic Analysis Mainframe (See page 3)

#### HP MultiProbe Control Module, HP 16535A

The HP 16535A MultiProbe control module provides power and control to HP MultiProbe pods. One HP 16535A supports up to four HP MultiProbe pods. Two SMA outputs on the HP 16535A connect to the oscilloscope. Two SMA-BNC cables are provided with the HP 16535A for this purpose. Multiple HP 16535A MultiProbe control modules can be used when more than four MultiProbe pods are required, or when more than two scope channels are desired.

#### HP MultiProbe Pods

Up to four pods can be connected to one MultiProbe control module.

**The HP E5320A** is a 9-to-2, general-purpose pod. It has nine miniature scope-probe, flying-lead inputs.

**The HP E5321A** is a 240-to-2 high-density pod. It attaches directly to a 240-pin QFP with leads spaced at 0.5 mm.

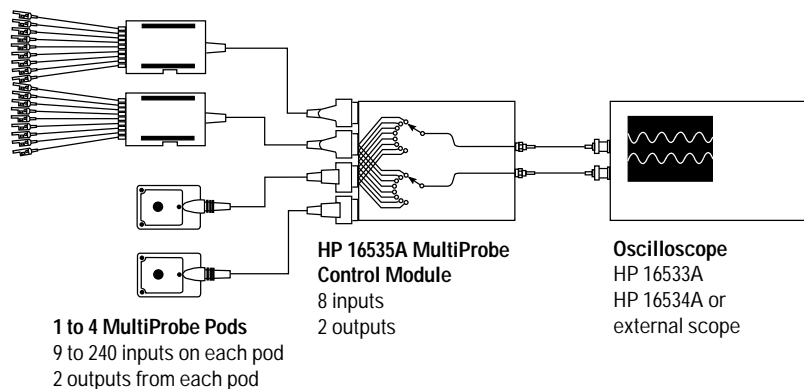
**The HP E5322A** is a 208-to-2 high-density pod. It attaches directly to either 208-pin QFPs with leads spaced at 0.5 mm, or 160-pin QFPs with leads spaced at 0.65 mm.

#### Oscilloscope

Any oscilloscope can be used with the HP MultiProbe system. When the HP 16533A or HP 16534A oscilloscope is used in the same HP 16500C system with the HP 16535A MultiProbe control module:

- The user interface for the MultiProbe signal selection is integrated into the scope user interface in the HP 16500C menu system.
- The signal labels assigned in the HP MultiProbe system are used in the scope displays.
- The calibration factors for the MultiProbe system are automatically applied in the scope.

The oscilloscope inputs must be terminated in 50  $\Omega$ . If the scope does not have a 50  $\Omega$  input impedance, external 50  $\Omega$  terminations must be used.



**Figure 2. The HP MultiProbe System**

# The HP MultiProbe System

---

## HP MultiProbe Control Module, HP 16535A

---

**Accessories Provided** Two 4-inch SMA-BNC cables (HP part number 16535-61603).

Options	Option number	Description
	W03	Convert standard one-year, return-to-HP warranty to three, month on-site warranty
	W30	Three-year, return-to-HP repair service
	0B0	Delete manual set
	0B1	Add manual set

---

## HP MultiProbe Pods

---

**HP E5320A** 9-to-2, general-purpose MultiProbe pod.

Accessories Provided	Quantity	HP Part Number	Description
	1	E5320-26101	• Flexible direct ground pin
	4	16517-82107	• Signal probe pin
	10	E5320-82105	• Ground extenders for use with 0.1 inch center-to-center connectors
	10 each	E5320-82101	• SMT tack-on signal and ground wires
	10	E5320-82104	• Right angle ground leads
	1	E5320-66502	• Calibration fixture

---

Accessories Available	HP Model Number	Description
	16517-82102	Surface mount grabbers (quantity 20)

---

Options	Option number	Description
	W03	Convert standard one-year, return-to-HP warranty to three-month on-site warranty
	W30	Three-year, return-to-HP repair service
	001	Delete accessories
	002	Delete calibration fixture

---

**HP E5321A** 240-to-2 high-density MultiProbe pod

Option	Option number	Description
	W03	Convert standard one-year, return-to-HP warranty to three-month, on-site warranty
	W30	Three-year, return-to-HP repair service
	001	240-pin QFP personality adapter kit. Contains everything needed for first-time installation of an HP E5321A pod on a 240-pin QFP IC
	101	240-pin QFP personality adapter
	201	Retainer kit, includes five retainers, two knurled nuts, and glue
	202	Locator tool
	301	Calibration kit, includes calibration fixture and calibration adapter

---

**HP E5322A** 208-to-2 high-density MultiProbe pod

Options	Option number	Description
	W03	Convert standard one-year, return-to-HP warranty to three-month, on-site warranty
	W30	Three-year return-to-HP repair service
	001	208-pin QFP personality adapter kit. Contains everything needed for first-time installation of an HP E5322A pod on a 208-pin QFP IC
	002	160-pin QFP personality adapter kit. Contains everything needed for first-time installation of an HP E5322A pod on a 160-pin QFP IC
	101	208-pin QFP personality adapter
	102	160-pin QFP personality adapter
	201	Retainer kit for either 160-pin or 208-pin QFPs. Includes five retainers, two knurled nuts, and glue
	202	Locator tool for 208-pin QFPs
	203	Locator tool for 160-pin QFPs
	301	Calibration kit, includes calibration fixture and calibration adapter

---

HP Reference Publications	
	<i>The HP MultiProbe System</i> , Color Brochure, pub. no. 5964-0239E
	<i>The HP MultiProbe System</i> , Technical Specifications, pub. no. 5964-0237E
	<i>The HP MultiProbe System</i> , Configuration Guide, pub. no. 5964-0236E

---

## HP B3740A Software Analyzer

The HP B3740A software analyzer is a software package that runs on a computer and provides a real-time trace in high-level source language from state data acquired by an HP 1655X series state analyzer.

### Required Hardware

- Logic analysis system mainframe: HP 16500C with option 001 or HP 16500B option 001 with a 16500H
- State analyzer module: HP 16550A, 16554A, 16555A, 16555D, 16556A, or 16556D
- Preprocessor: Any HP or third-party supplied preprocessor that supports the HP 1655X series analyzers

### Language tool connectivity

Any language system that generates the following file formats: IEEE695, OMF 86/286/386, Elf/Dwarf 1.0/1.1, GNU a.out, OMF196, TI COFF

If your language system generates a different file format, a generic ASCII format is supported.

### Computer

PC minimum configuration:

- 25-MHz 386
- 4M free hard disk space
- Windows 3.1

HP series 700 workstation minimum configuration:

- HP-UX 9.0

Sun Sparc minimum configuration:

- SUN/OS 4.1.3 or SUN Solaris 2.3

For more information about the HP B3740A, refer to the following publications:

*HP B3740A Software Analyzer*, product overview, 5962-7114E  
*HP B3740A Configuration Guide*, 5962-9887E

## Tool Sets for the HP 16505A Prototype Analyzer

Tool sets are licensed to the HP 16505A on which they are installed.

- HP B4600A System Performance Analysis Tool Set
- HP B4620A Software Analyzer Tool Set (Option ANT, additional 64 MB RAM for the HP 16505A, is recommended)

For more information about HP 16505A tool sets, refer to the following publications:

*The HP B4600A System Performance Analysis Tool Set for the HP 16505A Prototype Analyzer*, product overview, pub. no. 5964-3561E

*The HP B4620A Software Analyzer Tool Set for the HP 16505A Prototype Analyzer*, product overview, 5964-9333E

## Run Control

Processor Probe Model Number	Processors Supported
HP E3491A	Pentium® Icomp Index 735/90 MHz and 815/100 MHz

The HP 16505A prototype analyzer provides a user interface for the HP E3491A processor probe. A user interface is also available as part of debuggers provided by third parties. Call your local HP sales office for more information on these debuggers. The HP 16500C does not provide a user interface for this processor probe.

For more information about run control, refer to the following publications:  
*HP E3491A*, product overview, 5963-6855E

## Upgrade Kit

The HP E2479A upgrade kit upgrades either an HP 16500A or HP 16500B to the configuration of the HP 16500C.

Note: The HP E2479A upgrade adds a LAN interface, a Centronics parallel printer port, a high-speed port for the HP 16505A, and the connector for an HP 16501A expansion frame. The HP E2479A upgrade kit also includes a PS-2 style mouse.

The HP E2479A upgrade kit must be installed by an HP service center. Installation is included in the purchase of the HP E2479A.

## Training and Consulting

The following information applies to the U. S. only. In other areas, contact your HP sales office for information on consulting services and training.

### "Improving Productivity Through Logic Analysis" Training

This one-or two-day course can be delivered for up to ten students at either an HP site or at the customer's site.

16500C +24Z One-day course "Improving Productivity Through Logic Analysis"

16500C +24Y Two-day course "Improving Productivity Through Logic Analysis"

## Productivity Assistance

Hourly HP Test and Measurement Specialist productivity assistance is available. Hourly charges apply from portal to portal to cover travel charges. Consulting product number: HP 50629F

## Printing

Recommended Printers: **HP DeskJet 680C (Color)**  
**HP LaserJet 4L (Black & White)**

The HP 16505A supports network printing.

	HP 16500C	HP 16505A
<b>Interfaces for Printers</b>	Centronics RS-232-C HP-IB (IEEE 488)	Centronics (for local printers)  LAN
<b>Printers Supported</b>	Printers that support the HP Printer Control Language (PCL)  Recommended: HP DeskJet, HP LaserJet  Epson FX80, LX80, and MX80 printers with a Centronics or RS-232-C interface are supported in the Epson 8-bit graphics mode.	PostScript™ compatible printers  Printers that support the HP Printer Control Language (PCL)

## LAN

The HP 16500C and HP 16505A support the X window system version 11, release 5 (X11R5).

	HP 16500C	HP 16505A
<b>Physical Connection</b>	RJ-45 connector for direct connection to 10Base-T ("Ethertwist") networks  BNC connector for direct connection to 10Base2 ("Thinlan") networks	RJ-45 connector for direct connection to 10Base-T ("ethertwist") networks  15-pin access unit interface (AUI) connector
<b>Protocols Supported</b>	TCP/IP NFS FTP SNMP	TCP/IP NFS FTP SNMP RPC Berkeley Sockets Telnet (for remote start only)

To receive the latest system software, order from the following table:

	HP Part Number
HP 16500C	16500-68737 (Floppy disks)
HP 16505A	16505-68702 (Floppy disks)
	16505-83505 (Hard disk with software preloaded)

### Compatibility Matrix

A √ indicates that the measurement module is supported.

	HP 16500A	HP 16500B, HP 16500A with HP 16500U	HP 16500C, 16500A or 16500B with HP E2479A	HP 16505A
HP 16510A	√	√	√	
HP 16510B	√	√	√	
HP 16511B	√	√	√	
HP 16515/16A	√	√	√	
HP 16517/18A	√	√	√	√
HP 16520/21A	√	√	√	
HP 16522A		√	√	
HP 16530/31A	√	√	√	
HP 16532A	√	√	√	√
HP 16533A		√	√	√
HP 16534A		√	√	√
HP 16535A		√	√	√
HP 16540/41A	√	√	√	
HP 16540/41D	√	√	√	
HP 16542A	√	√	√	
HP 16550A	√	√	√	√
HP 16554A		√	√	√
HP 16555A/D		√	√	√
HP 16556A/D		√	√	√

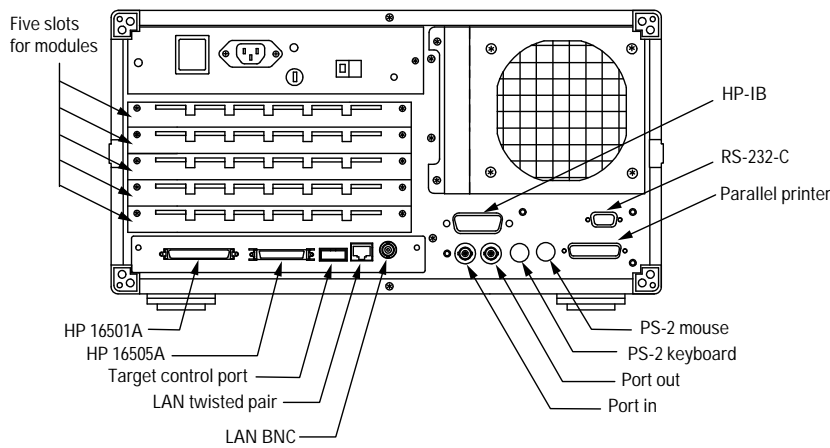


Figure 3. Rear View of HP 16500C

**For more information, refer to the following publications:**

Title	Publication Description	HP Publication Number
<i>HP 16500C Logic Analysis System and HP 16505A Prototype Analyzer</i>	Product Overview	5965-3187E
<i>The HP 16500C Logic Analysis System Frame and HP 16501A Expansion Frame</i>	Technical Specifications	5965-3184E
<i>Accessories for HP Logic Analyzers</i>	Product Overview	5963-3376E
<i>A Family of State and Timing Analyzers for the HP 16500B Logic Analysis System</i>	Product Overview	5962-7245E
<i>4-GSa/s Timing and 1-GSa/s Synchronous State for the HP 16500A/B Logic Analysis System</i>	Color Brochure	5091-8096E
<i>The HP 16517/18A Technical Specifications</i>	Technical Specifications	5091-7216E
<i>1-GSa/s and 2-GSa/s Oscilloscope Modules for the HP 16500B Logic Analysis System</i>	Product Overview	5964-0238E
<i>HP 16522A 200 Mvector/sec Pattern Generator Module for the HP 16500B Logic Analysis System</i>	Product Overview	5964-2250E
<i>The HP MultiProbe System</i>	Color Brochure	5964-0239E
<i>The HP MultiProbe System</i>	Technical Specifications	5964-0237E
<i>The HP MultiProbe System</i>	Configuration Guide	5964-0236E
<i>The HP B4600A System Performance Analysis Tool Set for the HP 16505A Prototype Analyzer</i>	Product Overview	5964-3561E
<i>The HP B4620A Software Analyzer Tool Set for the HP 16505A Prototype Analyzer</i>	Product Overview	5964-9333E
<i>HP E3491A</i>	Product Overview	5963-6855E
<i>HP Rack Solutions Catalog</i>	Catalog	5963-1053E
<i>Microprocessor and Bus Interfaces for HP Logic Analyzers</i>	Technical Data	5963-2435E
<i>Probing Solutions for TQFP/CQFP/PQFP Packages</i>	Product Overview	5965-2790E

**For more information about Hewlett-Packard test & measurement products, applications, services, and for a current sales office listing, visit our web sites:**

<http://www.hp.com/go/tmdir>  
<http://www.hp.com/go/logicanalyzer>  
<http://www.hp.com/go/emulator>

**You can also contact one of the following centers and ask for a test and measurement sales representative.**

**United States:**

Hewlett-Packard Company  
 Test and Measurement Call Center  
 P.O. Box 4026  
 Englewood, CO 80155-4026  
 1 800 452 4844

**Canada:**

Hewlett-Packard Canada Ltd.  
 5150 Spectrum Way  
 Mississauga, Ontario  
 L4W 5G1  
 (905) 206 4725

**Europe:**

Hewlett-Packard  
 European Marketing Centre  
 P.O. Box 999  
 1180 AZ Amstelveen  
 The Netherlands  
 (31 20) 547 9900

**Japan:**

Hewlett-Packard Japan Ltd.  
 Measurement Assistance Center  
 9-1, Takakura-Cho, Hachioji-Shi,  
 Tokyo 192, Japan  
 Tel: (81) 426 56 7832  
 Fax: (81) 426 56-7840

**Latin America:**

Hewlett-Packard  
 Latin American Region Headquarters  
 5200 Blue Lagoon Drive  
 9th Floor  
 Miami, Florida 33126  
 U.S.A.  
 Tel: (305) 267 4245  
 (305) 267-4220  
 Fax: (305) 267-4288

**Australia/New Zealand:**

Hewlett-Packard Australia Ltd.  
 31-41 Joseph Street  
 Blackburn, Victoria 3130  
 Australia  
 1 800 629 485

**Asia Pacific:**

Hewlett-Packard Asia Pacific Ltd  
 17-21/F Shell Tower, Times Square,  
 1 Matheson Street, Causeway Bay,  
 Hong Kong  
 Tel: (852) 2599 7777  
 Fax: (852) 2506 9285

**Data subject to change.**

**Printed in the U.S.A.**

5/97

**5965-3185E**

**Copyright ©**

**Hewlett-Packard Company 1997**