

**ENGINEERING
RELEASE**

LAL	Revisions			2164	F
	Rev.	Description	Chk.	Date	Approved
	A	ENGRG RELEASE	BN	4/17/76	J. W.
	B	REVISED MATERIAL LIST	BN	5/1/76	J. W.
	C	REVISED MATERIAL LIST	BN	6-1-76	J. W.
	D	REVISED MATERIAL LIST: ITEM 27 QTY WAS 2, REMOVED R3. ITEM 29 QTY WAS 3, REMOVED R13. ITEM 30 QTY WAS 1, ADDED R13, R3. ITEM 41 WAS 47PF, P/N WAS 117160-470.	BN	7-23-76	E. W. at.
	E	ADDED SCHEMATIC DWG & BOARD DETAIL, ADDED NOTE 2. M/L: ITEM 12 ADDED Q9, ADDED ITEM 20, REMOVED R13 FROM ITEM 30, ADDED ITEM 32, ITEM 34 WAS 18K P/N 116447-183 QTY 1, ITEM 35 WAS 39K P/N 116447-393, DELETED ITEM 37, ITEM 42 REMOVED C9, ADDED ITEM 50 (C9), ITEM 52 (C5, 8), ITEM 48 WAS 4 RQD	BN	8-12-76 9-28-76	J. W.
	F	ADDED NOTE 2 M, N, O. M/L DELETED ITEM 41, ADDED C2 TO ITEM 42, ADDED ITEM 54.	BN	4-28-77	J. W.

Dist. Code **ALT**

These drawings and specifications, and the data contained therein, are the exclusive property of Xerox Corporation and/or Rank Xerox, Ltd. issued in strict confidence and shall not, without the prior written permission of Xerox Corporation or Rank Xerox, Ltd., be reproduced, copied or used for any purpose whatsoever, except the manufacture of articles for Xerox Corporation or Rank Xerox, Ltd.

Notes Unless Specified	Drawn	<i>M. J. K.</i>	4-5-76
1. Tolerances XX ±.030 Angular XXX ±.010 ±½° 2. Break All Sharp Edges .010 Approx. 3. Mach. Surfaces ✓ 4. All Dim. In Inches	Check	<i>W. J. K.</i>	6-1-76
	Appr.	<i>E. W. K.</i>	2-1-76
	Material		

Xerox Corporation
El Segundo, California

XEROX

ALTO II

**ASSEMBLY, PRINTED WIRING-
KEYBOARD**

Model No. First Use	ALTO II EWO 7YF92	Finish	Code Ident.	Size	Dwg. No.	Change Letter
Next Assy. First Use	216445		18338	A	216420	F
		Scale	Do Not Scale Drawing		Sheet 1 OF 7	

NOTES: UNLESS OTHERWISE SPECIFIED

1. ASSEMBLE PER ALTO II MODULE ASSEMBLY SPEC, DWG NO. 216207.
2. CUT ETCH AND ADD JUMPERS AS FOLLOWS:
 - A. ADD JUMPER FROM CR1(+) TO A1-14 (CIRCUIT SIDE).
 - B. CUT ETCH BETWEEN A1-14 AND C14 (CIRCUIT SIDE).
 - C. CUT ETCH BETWEEN C9 AND R17, 2PLACES (CIRCUIT SIDE).
 - D. CUT ETCH BETWEEN R11-1 AND R10 (CIRCUIT SIDE).
 - E. CUT ETCH TO R17 (COMPONENT SIDE).
 - F. CUT ETCH TO A1-14 (COMPONENT SIDE).
 - G. ADD JUMPER FROM A1-7 TO Q9-E (CIRCUIT SIDE).
 - H. ADD JUMPER FROM C9(+) TO Q9-B (CIRCUIT SIDE).
 - I. ADD JUMPER FROM R17 (BOTTOM) TO Q9-C (CIRCUIT SIDE).
 - J. INSTALL 36K (R28) FROM Q9-B TO R18 (CIRCUIT SIDE).
 - K. INSTALL TRANSISTOR (Q9) IN NEW DRILLED HOLES. (COMPONENT SIDE). SEE DETAIL A.
 - L. ADD 510 OHM RESISTOR (R29) FROM R15 TO R10 (CIRCUIT SIDE).
 - M. ADD JUMPER FROM A11-14 TO A11-11, CKT SIDE.
 - N. ADD JUMPER FROM A11-15 TO A11-12, CKT SIDE.
 - O. ADD 270 RESISTOR (R30) FROM A11-15 TO +5V, CKT SIDE. SEE DETAIL B.

These drawings and specifications, and the data contained therein, are the exclusive property of Xerox Corporation and/or Rank Xerox, Ltd. issued in strict confidence and shall not, without the prior written permission of Xerox Corporation or Rank Xerox, Ltd., be reproduced, copied or used for any purpose whatsoever, except the manufacture of articles for Xerox Corporation or Rank Xerox, Ltd.

Title

ALTO II

ASSEMBLY, PRINTED WIRING - KEYBOARD

Xerox Corporation
El Segundo, California

XEROX

216420

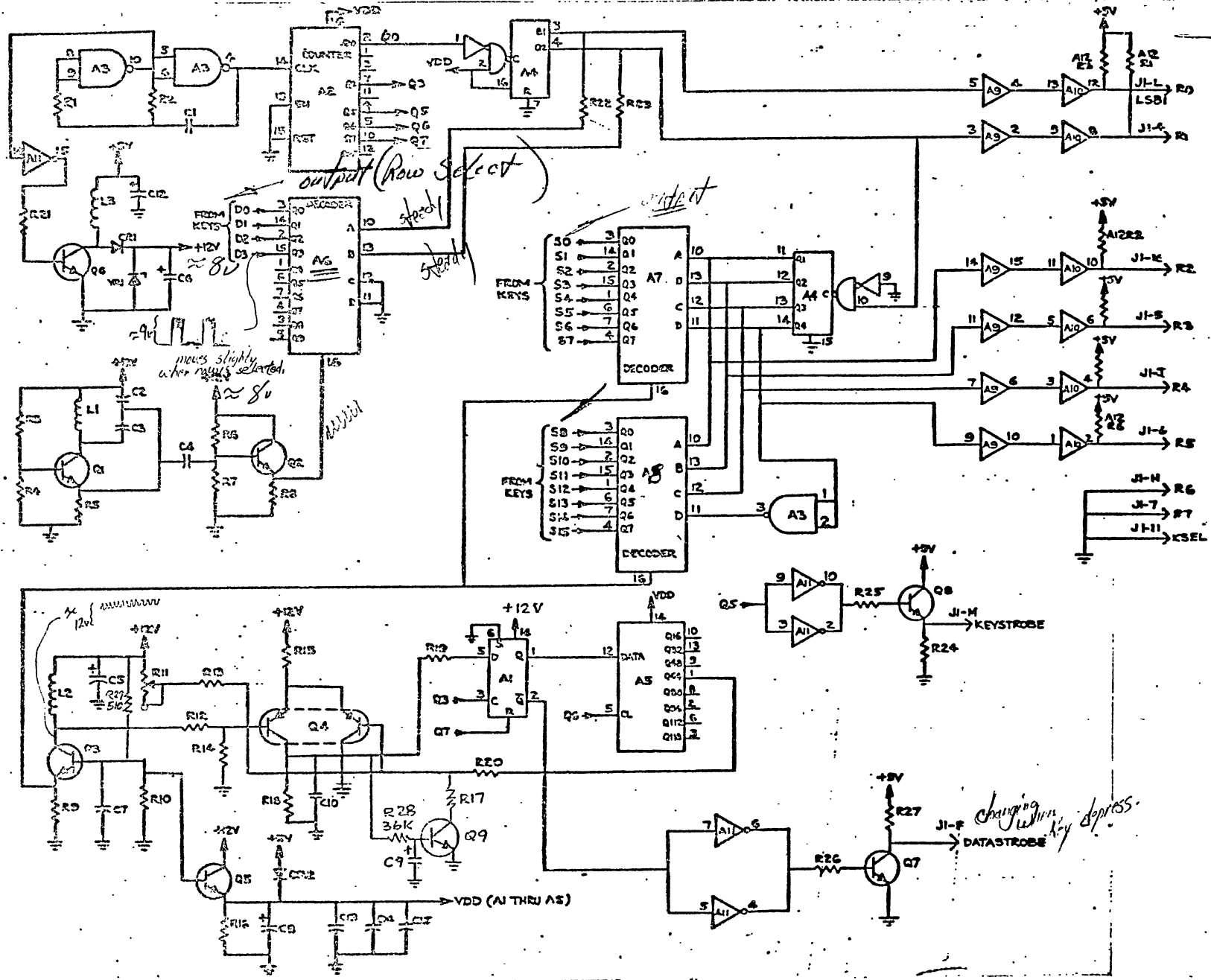
F

Sheet

2

OF

7



These drawings and specifications, and the data contained therein, are the exclusive property of Xerox Corporation and/or Rank Xerox, Ltd. issued in strict confidence and shall not, without the prior written permission of Xerox Corporation or Rank Xerox, Ltd., be reproduced, copied or used for any purpose whatsoever, except the manufacture of articles for Xerox Corporation or Rank Xerox, Ltd.

Title ALTO II
ASSEMBLY, P.W.-
KEYBOARD

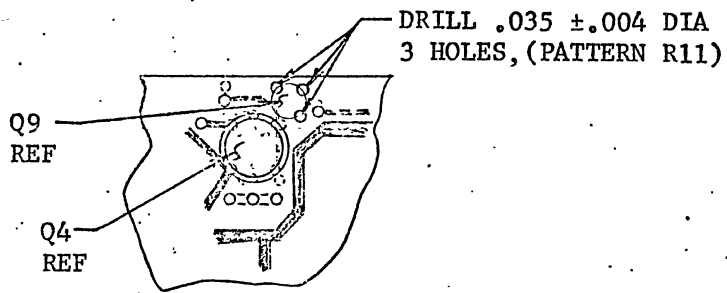
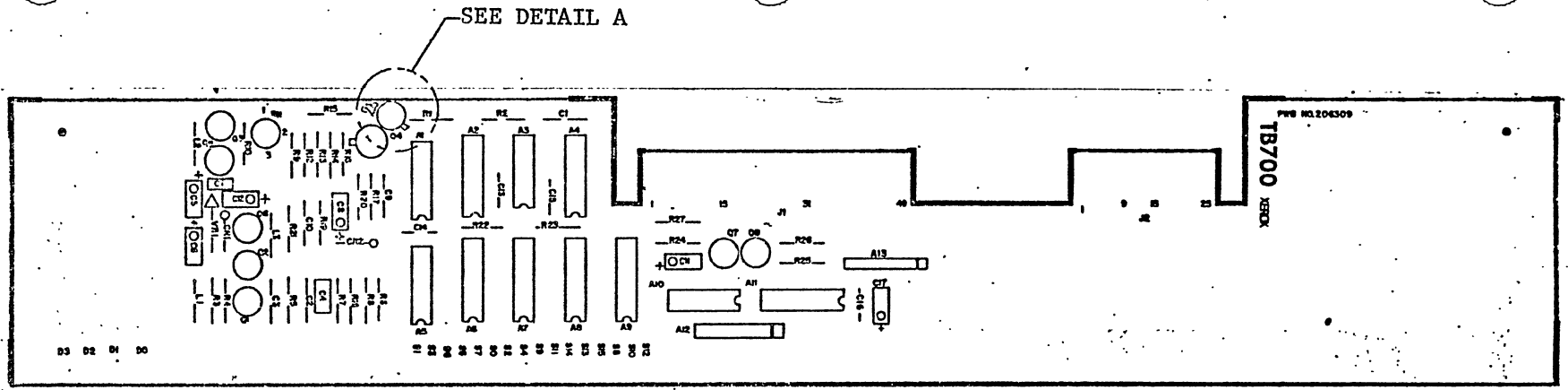
Xerox Corporation
El Segundo, California

XEROX

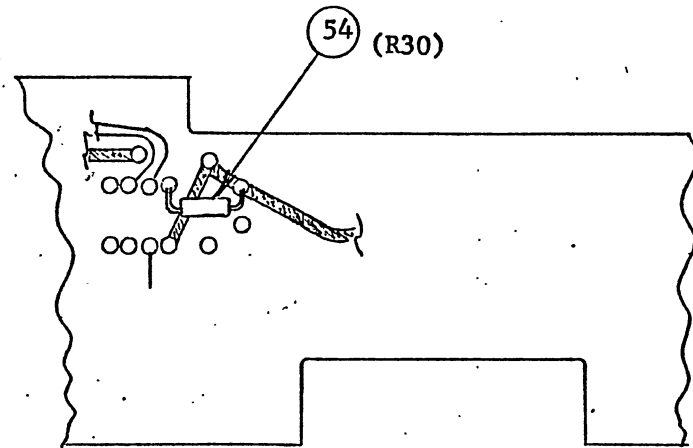
216420

Sheet 6 of 7

F



DETAIL A (COMPONENT SIDE)
SCALE: 1/1



DETAIL B (CIRCUIT SIDE)
SCALE: 1/1

These drawings and specifications, and the data contained therein, are the exclusive property of Xerox Corporation and/or Rank Xerox, Ltd. issued in strict confidence and shall not, without the prior written permission of Xerox Corporation or Rank Xerox, Ltd., be reproduced, copied or used for any purpose whatsoever, except the manufacture of articles for Xerox Corporation or Rank Xerox, Ltd.

Title

ALTO II

ASSEMBLY, PRINTED WIRING - KEYBOARD

Xerox Corporation
El Segundo, California

XEROX

216420

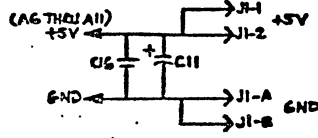
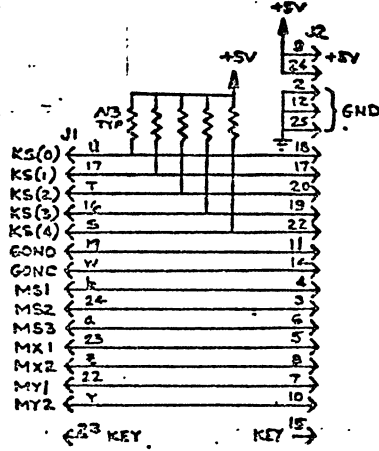
F

Sheet

3

Of

7



These drawings and specifications, and the data contained therein, are the exclusive property of Xerox Corporation and/or Rank Xerox, Ltd. issued in strict confidence and shall not, without the prior written permission of Xerox Corporation or Rank Xerox, Ltd., be reproduced, copied or used for any purpose whatsoever, except the manufacture of articles for Xerox Corporation or Rank Xerox, Ltd.

Title ALTO II
ASSEMBLY, P.W.-
KEYBOARD

Xerox Corporation
El Segundo, California

XEROX

216420 /

Sheet

7 of 7

F