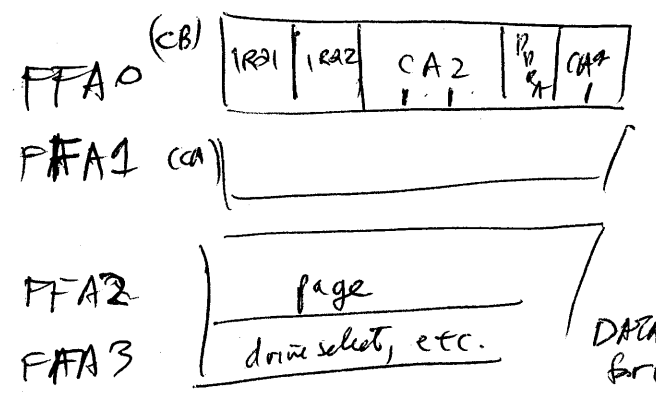
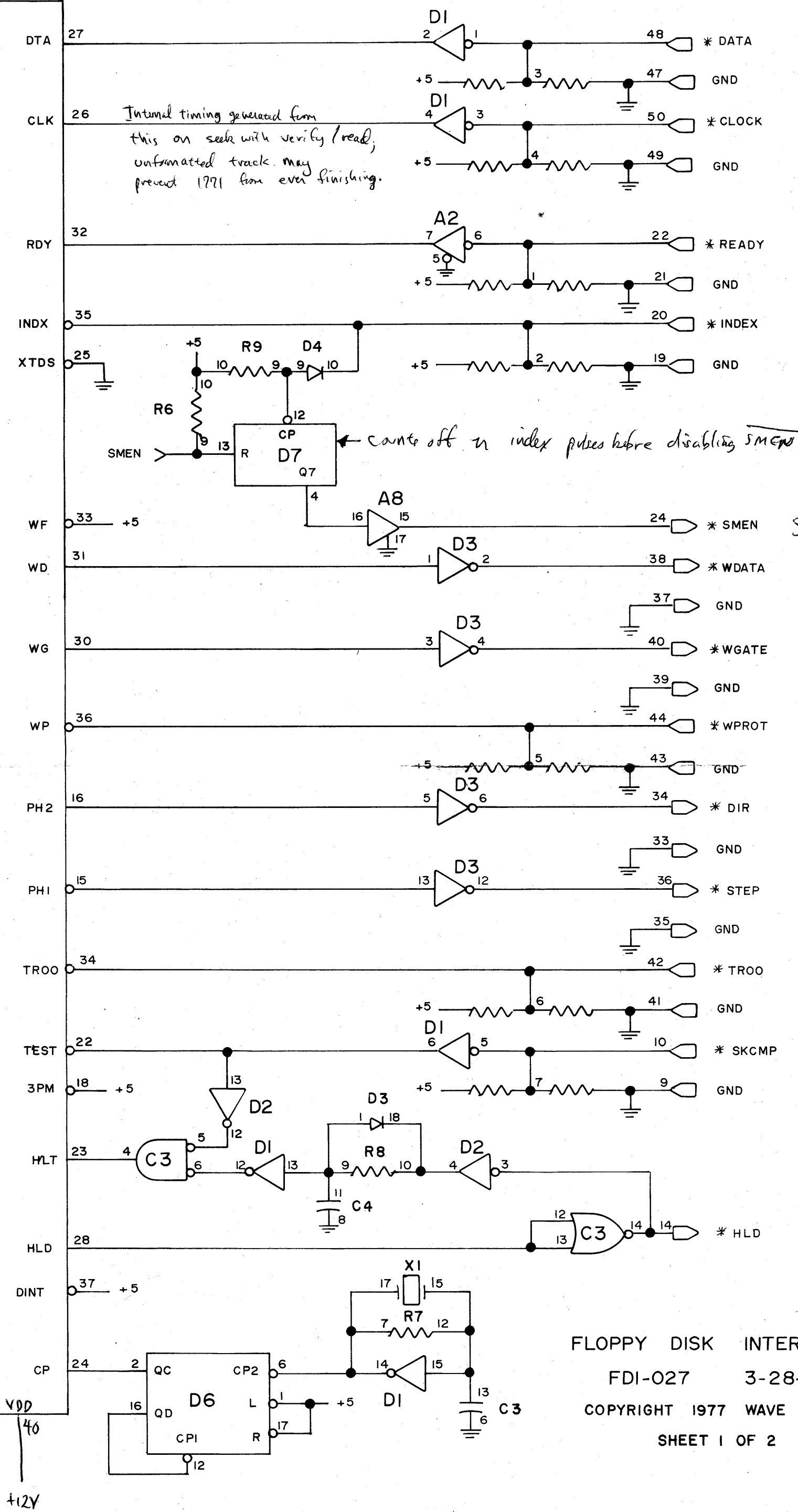


FFA4	STATUS / STANBY	input
FFA5	TRACK	input
FFA6	sector	output
FFA7	TRACK	output

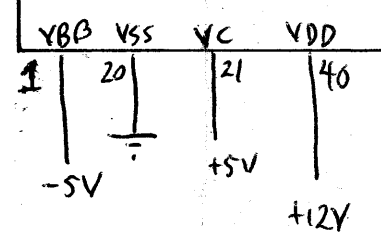


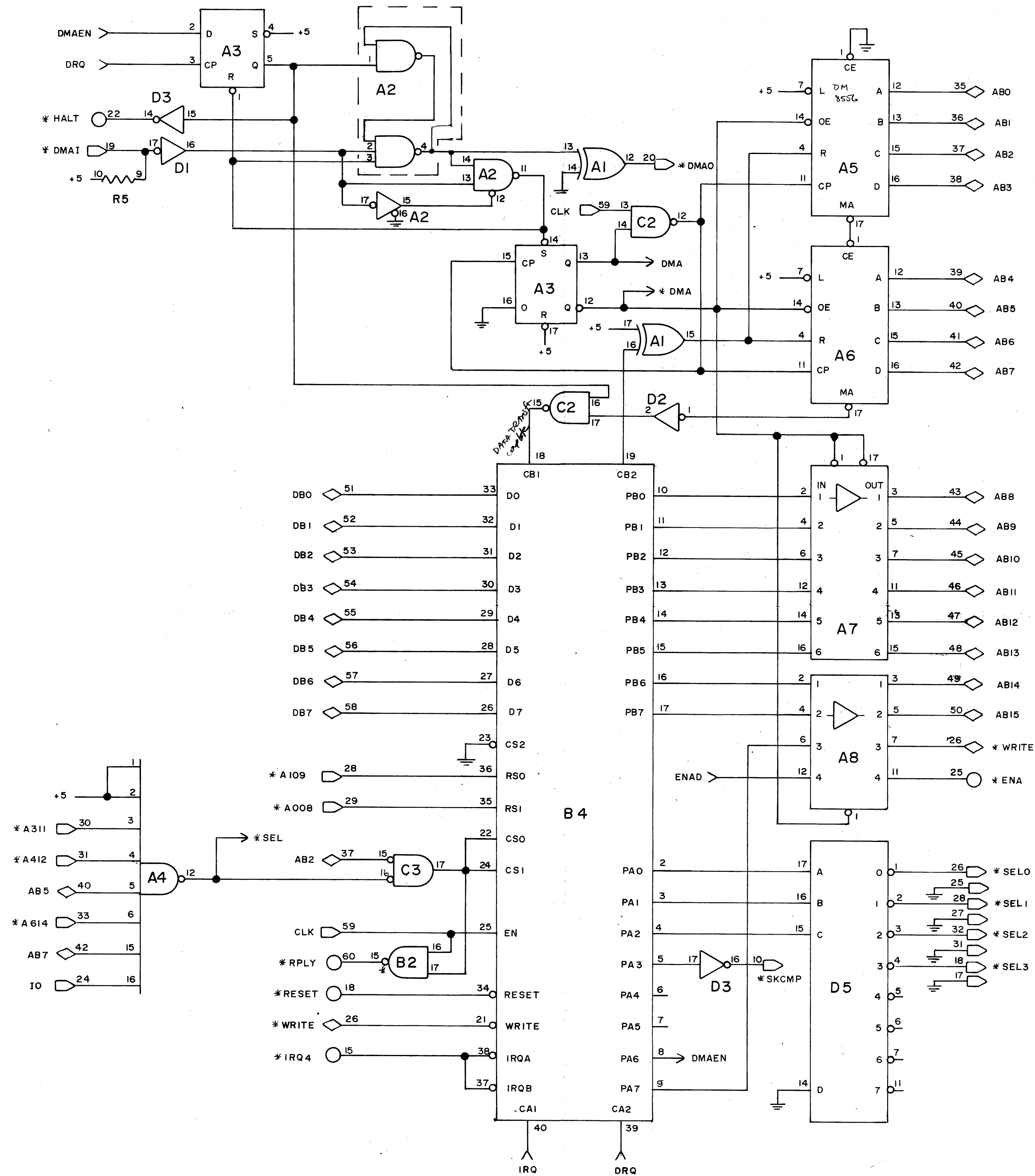
PIA Regs



Spindle motor enable

FLOPPY DISK INTERFACE  
FDI-027 3-28-77  
COPYRIGHT 1977 WAVE MATE  
SHEET 1 OF 2





FFA0 CRB  
 FFA1 CRA  
 FFA2 DRB  
 FFA3 DRA

DMA PAGE ADDRESS  
 X X X X X X X X  
 # D D

RADIUS  
 DMA  
 STORAGE  
 (0: RST)  
 HEAD/DRE

**FLOPPY DISK INTERFACE**  
 FDI-027 3-28-77  
 COPYRIGHT 1977 WAVE MATE  
 SHEET 2 OF 2