

**WANG**

3401

**2246C WORKSTATION**

**Customer Engineering  
Product Maintenance Manual**

**729-1433**

## PREFACE

This document consists of an illustrated part breakdown (IPB) for the 2246C Workstation. Its purpose is to provide the Wang-trained Customer Engineer (CE) with exploded view illustrations for identification and proper disassembly representations and a corresponding parts list for part ordering.

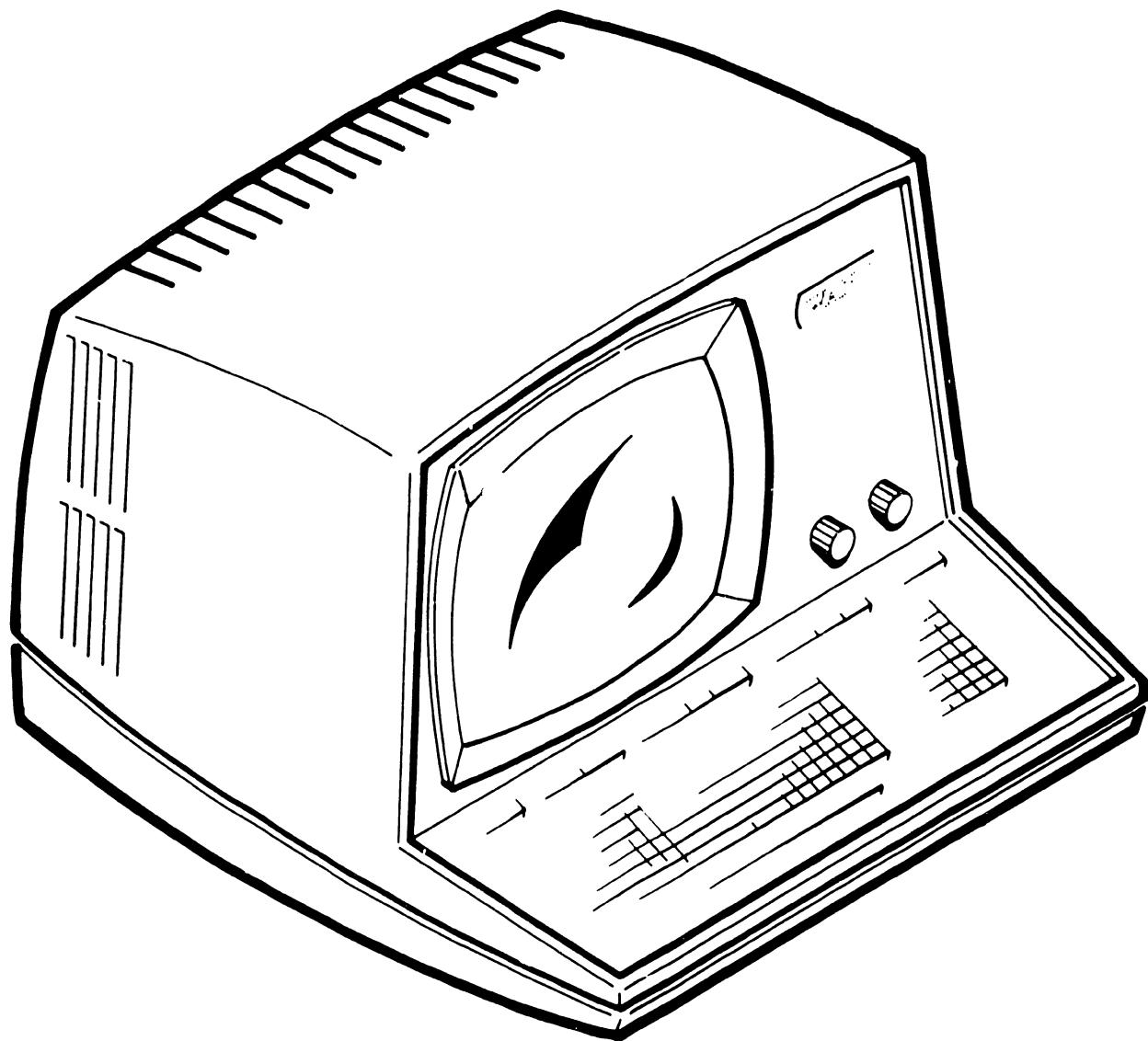
The IPB section contained herein will subsequently be followed by a standard Product Maintenance Manual (PMM) for the 2246C Workstation. The standard PMM will include an introduction, Theory of Operation, Preventive Maintenance, a full set of schematics and related appendices. The standard PMM will be updated on a regular schedule.

First Edition (January, 1984)

The material in this document may only be used for the purpose stated in the preface. Updated and/or changed to this document will be published as Product Service Notices (PSN's) or subsequent editions.

This document is the property of Wang Laboratories, Inc. All information contained herein is considered company proprietary information, and its use is prohibited without the prior consent of Wang Laboratories Inc.

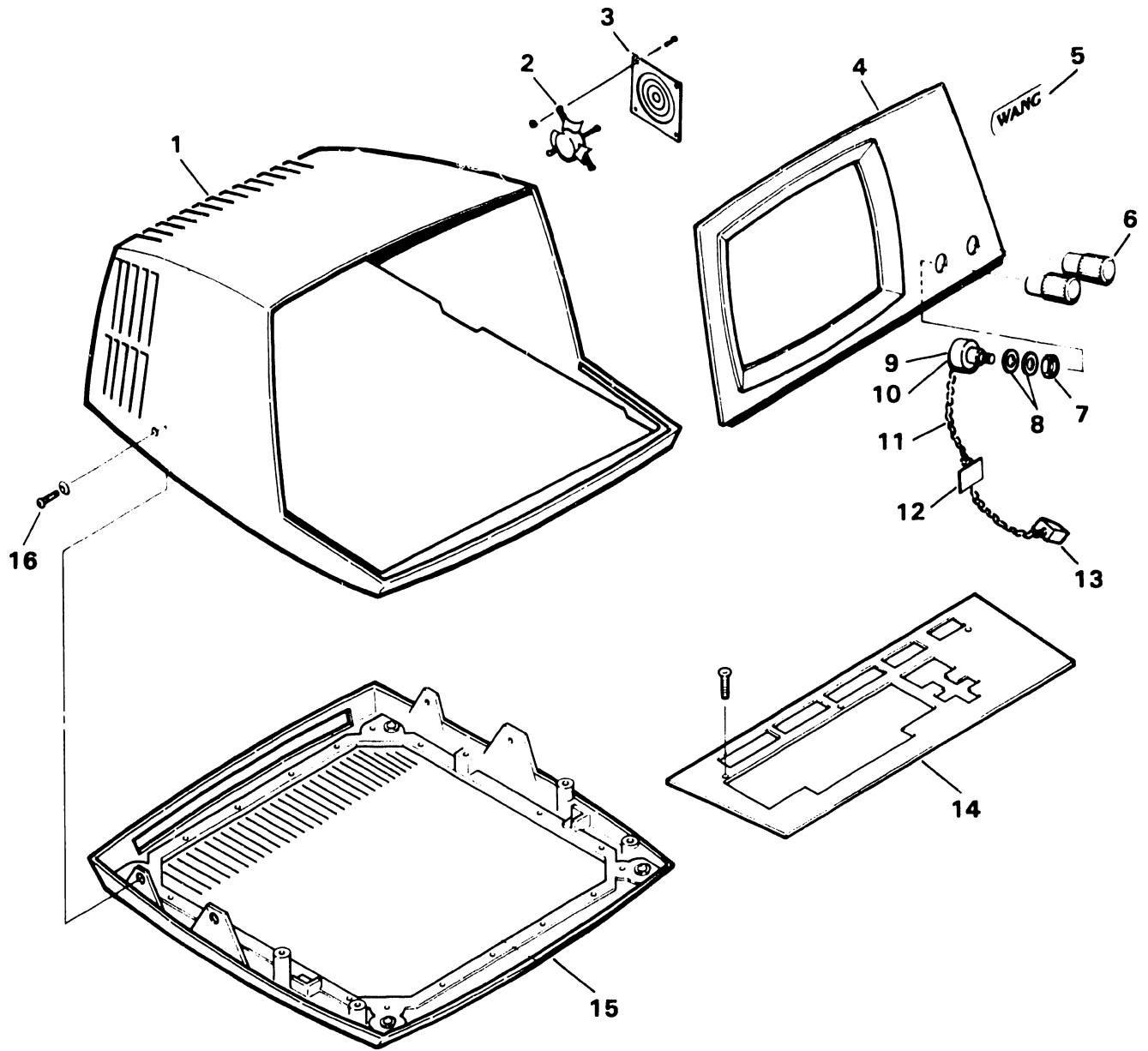
© Copyright Wang Labs, Inc., 1984



**FIGURE 1 FRONTISPIECE (ASSEMBLY PART NO. 177-22VS47)**

## EXTERNAL COVERS ASSEMBLY

ITEM NO.	PART NO.	DESCRIPTION
1	449-0460	CVR MACHING CLOSED VENT
2	400-1009-11	SKLTN 115V 50/60 HZ 50CFM
3	449-0101-9	FAN GUARD 4" (WHITE)
4	449-0459	12" CRT BEZEL
5	449-0548	PLATE LOGO WKSTN
6	655-0157	KNOB ALCO
7	652-0036	NUT SM. PAT. 3/8"-32
8	653-0022	WASHER 3/8" INT. TH.
9	336-0032	BRIGHTNESS POT
10	336-0035	CONTRAST POT
11	220-0180	CABLE
12	654-1274	CABLE CLAMP ADH. BACK
13	654-1185	SOCKET
14	452-1092	FINISHING PLATE
15	279-1026	BASE ASSEMBLY
16	650-4105	10-32x11/8 TRUSS HD PHL



**FIGURE 2 EXTERNAL COVERS ASSEMBLY**

12" MONITOR ASSEMBLY (ASSEMBLY PART NO. 270-0372)

ITEM NO.	PART NO.	DESCRIPTION
1	451-3857	SIDE PANEL (R.H.)
2	651-0037	#8x3/8" SLTD HEX S.T. SCREW
3	279-0526	POWER SUPPLY W/REG BD (TESTED)
4	615-0412	FISH PAPER 2x2
5	465-1643	GROUNDING SPRING
6	651-0037	#8x3/8" SLTD HEX S.T. SCREW
7	654-1184	6 POSITION HOUSING CONNECTOR
8	651-0037	#8x3/8" SLTD HEX S.T. SCREW
9	451-4473	SUPPORT BRACKET
10	651-0053	#10x3/8" HEX S.T. SCREW
11	340-0108	CRT
12	271-1247	KEYBOARD C MICRO NG
13	270-3092	DEFLECTION YOKE
14	451-1100	CHASSIS, CRT
15	650-3120	6-32x3/8" SEMS SCREW
16	320-0300	SPEAKER 3" 8 OHM
17	652-0032	6-32 LOCKNUT KEPS
18	451-1121	CHASSIS, 12"
19	451-3856	SIDE PANEL (L.H.)
20	650-2087	4-40x1/4" SEMS SCREW
21	654-1274	CABLE CLAMP ADH. BACK
22	452-4042	CARD GUIDE
23	462-0413	SPACERS
24	270-3104	FLYBACK TRANSFORMER ASSEMBLY
25	380-3011	20KV DIODE
26	350-2073	ANODE CONNECTOR
27	451-4472	NECKSAVER BRACKET
28	478-0448	NECKSAVER BRACKET INSULATOR
29	651-0037	#8x3/8" SLTD HEX S.T. SCREW
30	210-7456	PCA 12" MONITOR ELEC.

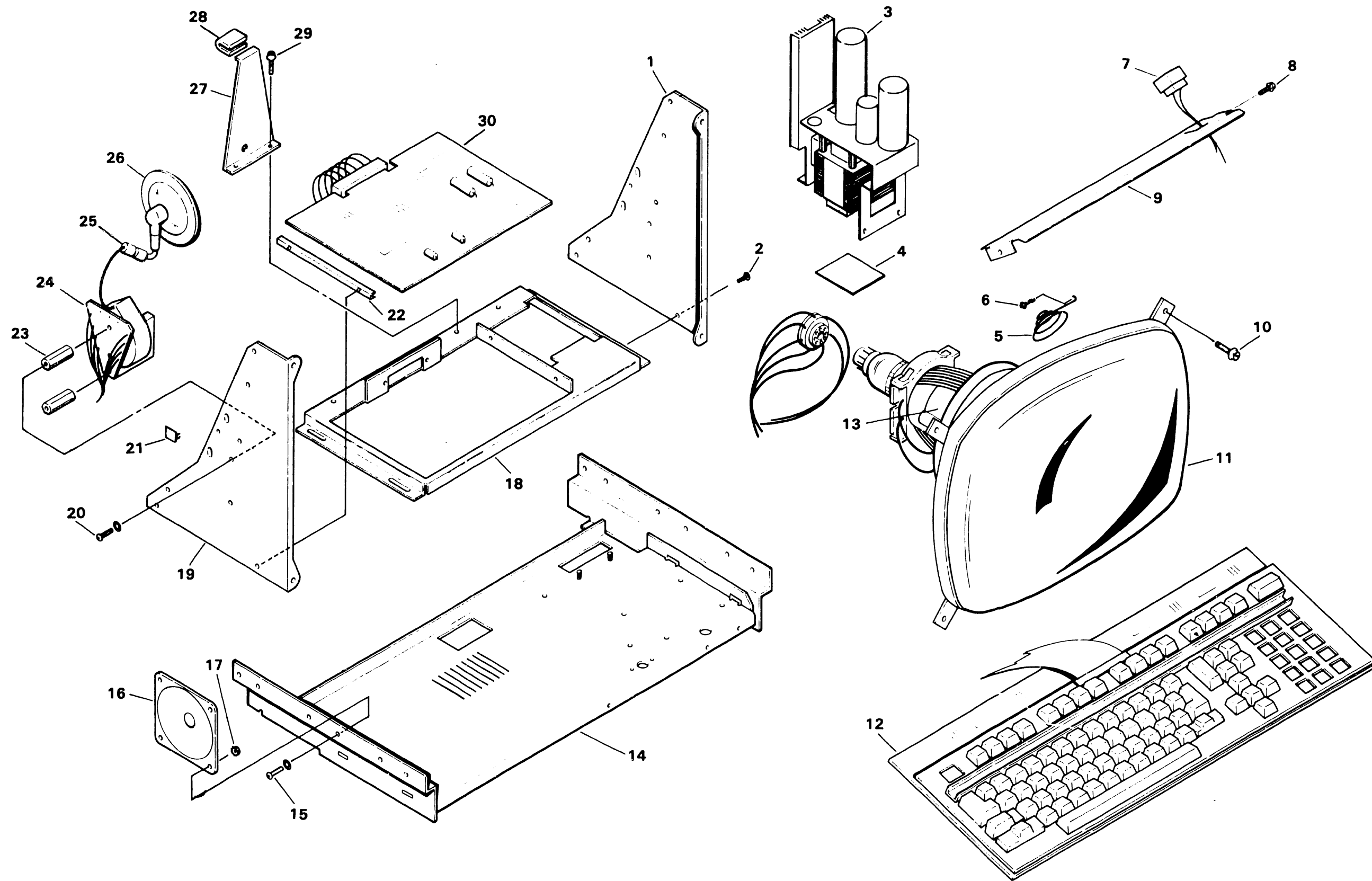
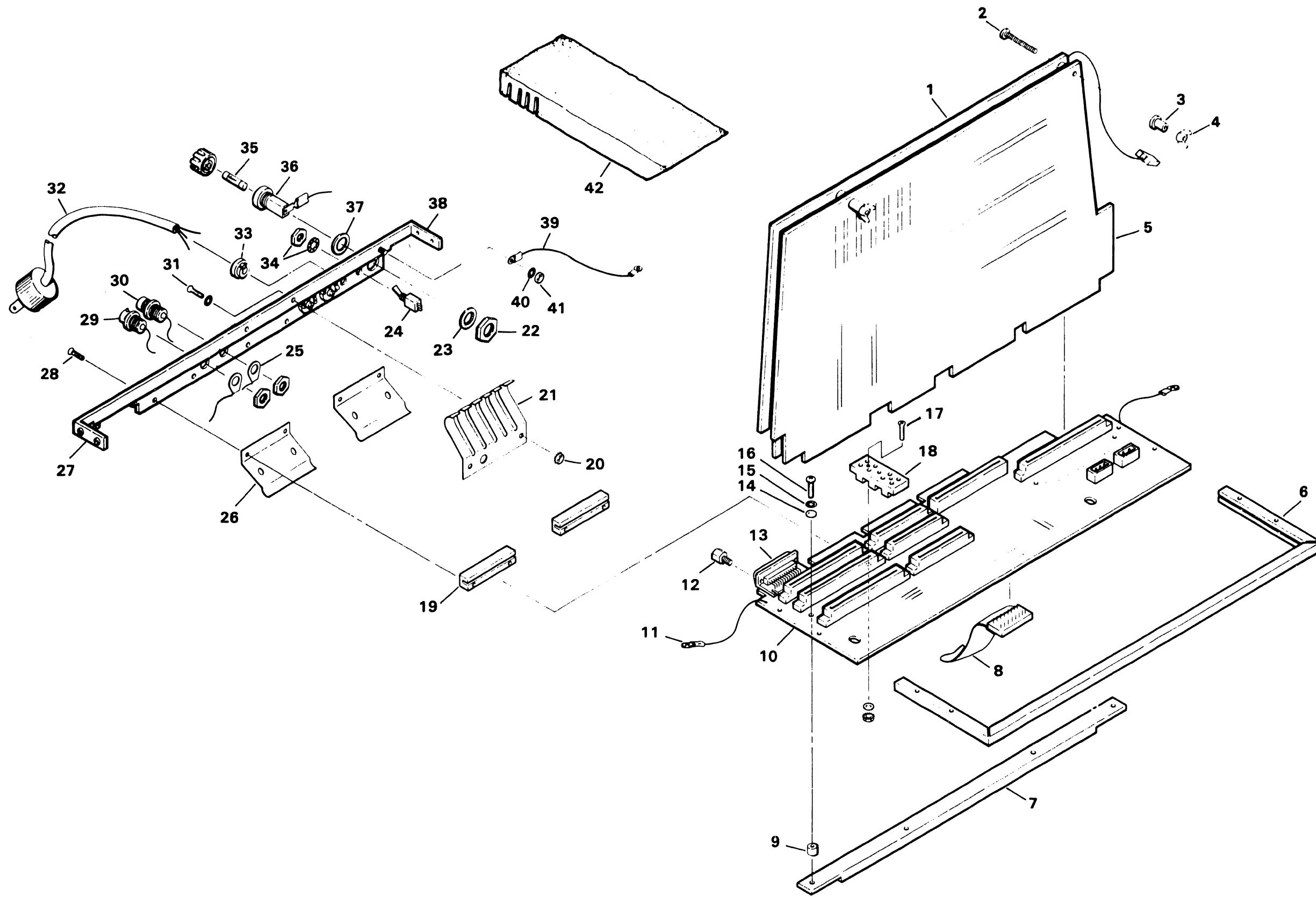


FIGURE 3 12" MONITOR ASSEMBLY (ASSEMBLY PART NO. 270-0372)

**MOTHERBOARD & W/S CHASSIS ASSEMBLY**

<b>ITEM NO.</b>	<b>PART NO.</b>	<b>DESCRIPTION</b>
1	210-7744-1A	PCA AWS1/5536 UNIV DATA LINK 32K MEM
2	650-3322	6-32x1 1/2" PH PHIL
3	462-0265	SPACER, PC BOARD
4	652-3006	6-32 WING NUT CAD PLATE
5	210-7545-C	PCA 2246/AWS-1 COMBINED WS CRT/CPU
6	452-2562	STIFFNER, MOTHERBOARD
7	478-0723	SUPPORT BRKT MOTHERBOARD
8	220-3014	24-CONDUCTOR CABLE
9	462-0141	PHENOLIC SPACER
10	210-7542-2	PCA 5536 2-BD W.S. W/TC
11	220-1101	WIRE & LUG ASSEMBLY
12	462-0507	STANDOFF M/F, 4-40/4-40
13	350-1047	RS 232 CONNECTOR
14	653-0003	WASHER #4 NYLON
15	653-2000	WASHER #4 FLAT
16	650-2200	4-40x3/8" PH PHIL
17	650-2241	4-40x3/4" FL HD PHL MS BK OX
18	449-0309	STOP, PC BD 4 POS BLK
19	461-1545	SUPPORT BLOCK, SMALL
20	652-4005	4-40, LOCKNUT KEPS
21	458-0423	GND, STATIC REAR PANEL
22	360-9002	HEX NUT
23	360-9003	LOCK WASHER
24	325-0033	TOGGLE SWITCH
25	654-1011	GND LUG 3/8"
26	451-3632	PNL STATIC 2282
27	451-3919	5595-4 REAR PANEL
28	651-0009	#4x3/8" ST FL HD
29	350-1036	BNC SOCKET (F) CONN.
30	350-2078	TNC BULKHEAD (F) CONN.
31	650-2120	4-40x3/8 SEMS
32	220-1076	POWER CORD ASSEMBLY
33	654-1238	HEYCO STRAIN RELIEF
34	PART OF 25	
35	360-1025-SB	FUSE, 2 1/2 AMP
36	360-0000	FUSE HOLDER 90 DEGREE CONTACT
37	360-9000	RUBBER WASHER
38	270-0618	5536 W/S CHASSIS ASSEMBLY
39	220-1512	WIRE & LUG ASSEMBLY
40	653-3003	#6 SPLIT WASHER
41	652-3004	6-32 HEXNUT
42	660-0681	FOAM RETAINER





**FIGURE 4 MOTHERBOARD & W/S CHASSIS ASSEMBLY**

**POWER SUPPLY ASSEMBLY (ASSEMBLY PART NO. 279-0526)**

<b>ITEM NO.</b>	<b>PART NO.</b>	<b>DESCRIPTION</b>
1	451-4660	BRKT PC BD RTNR
2	654-1290	BUSHING, SNAP
3	650-4160	8-32x1/2" PAN HD PHIL
4	650-3080	6-32x1/4" SCREW
5	451-1141	POWER SUPPLY CHASSIS
6	210-7656	PCA REGULATOR
7	650-2200	4-40x5/8" PAN HD PHIL
8	350-0008	30-PIN CINCH CONNECTOR
9	220-1143	WIRE & LUG ASSEMBLY
10	653-4002	#8 FLAT WASHER
11	650-4120	8-32x3/8" PHL SEMS
12	451-7035	BRKT. POWER SUPPLY
13	652-0029	8-32 LOCKNUT KEPS
14	652-0029	8-32 LOCKNUT KEPS
15	PART OF 16	
16	270-3236	TRANSFORMER/HARNESS
17	PART OF 16	
18	462-0450	SPACER, DELRIN
19	420-1005	POWER CORD ROTRON FAN
20	325-2117	SWITCH, 115/220
21	652-3000	6-32 HEXNUT
22	410-2005	LINE FILTER, 5 AMP CORCOM 5K1
23	300-3069	CAP., 27000uf, 30V
24	300-9022	CAP CLAMP 2 1/16" 3 LUG
25	650-3207	6-32x5/8" PAN HD PHIL
26	652-3004	6-32 HEXNUT
27	300-9009	CAP CLAMP 1 1/4" 2 LUG
28	652-0032	6-32 LOCKNUT KEPS
29	300-3074	CAP., 7300uf, 40V
30	300-3049	CAP., 77000uf, 15V
31	650-3120	6-32x3/8" PAN HD PHIL
32	270-0627	HEATSINK ASSEMBLY 2 BD WS REG
33	652-0029	8-32 LOCKNUT KEPS

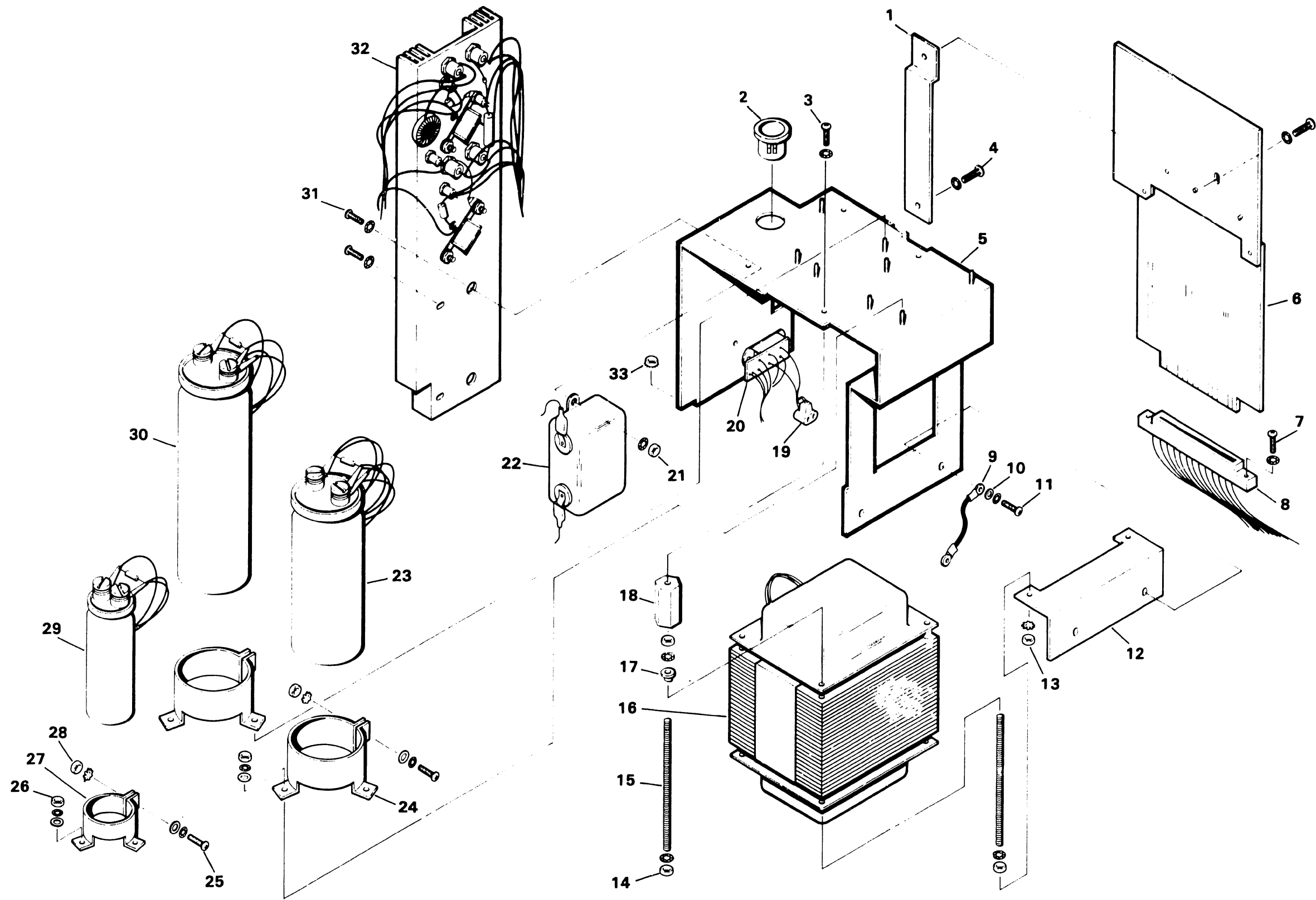


FIGURE 5 POWER SUPPLY ASSEMBLY (ASSEMBLY PART NO. 279-0526)

**WANG**

LABORATORIES, INC.

---

ONE INDUSTRIAL AVENUE, LOWELL, MASSACHUSETTS 01851. TEL. (617) 459-5000. TWX 710 343-6769. TELEX 94-7421

PRINTED IN U.S.A.

**END**