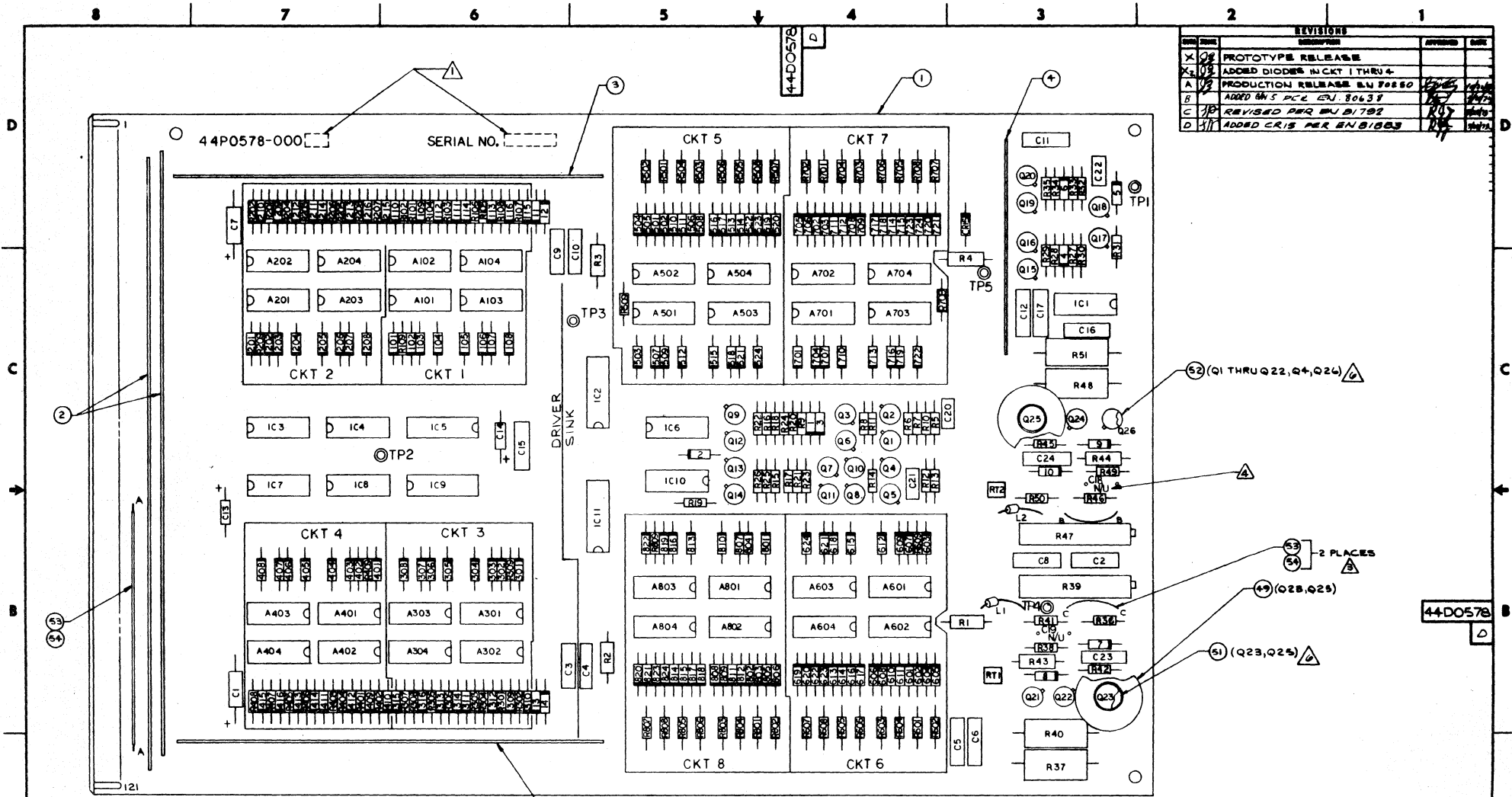


CAUTION EN 82664
 AFFECTION THE DNG.



REVISIONS			
REV	DATE	DESCRIPTION	APPROVED
X	08	PROTOTYPE RELEASE	
X	08	ADDED DIODES IN CKT 1 THRU 4	
A	08	PRODUCTION RELEASE EN 70880	
B		ADDED 4N5 PCE EN 80637	
C	10	REVISED PER BU D1792	
D	11	ADDED CRIS PER EN 81853	

- INSTALL FREON SENSITIVE ITEMS (R39, R47) AFTER NORMAL CLEANING PROCESS
 - N/U DENOTES COMPONENT NOT USED
 - JUMPERS BETWEEN POINTS "B" & "C" TO BE 2.5 ± .25 LONG
 - PREFIX DIODE REFERENCE DESIGNATIONS WITH "CR" AS SHOWN, EXAMPLE: -101- IS CR101
 - MARK REVISION LETTER OF PARTS LIST TO WHICH PART WAS MANUFACTURED AND SERIAL NO. USING .12 HIGH PERMANENT CHARACTERS APPROX WHERE SHOWN.
- NOTE: UNLESS OTHERWISE SPECIFIED

REFERENCE DRAWINGS
 40D0497 - BOARD DETAIL
 91CC346 - LOGIC DIAGRAM
 97D0673 - ARTWORK
 97D0672 - SILKSCREEN
 97D0671 - SOLDERMASK

USE OF TRANSISTOR MOUNTING PADS OPTIONAL.

FOR PARTS LIST SEE 44P0578


MODEL NO. 420/E-100	DESIGN AND DRAWING ENGR CHKD APPD	DATE 10/21/71	REV 1
REV PART Q1P1247	TOLERANCES UNLESS OTHERWISE SPECIFIED	DRG NO. 21101	REV D
ISSUED BY DATE	APPROVED BY DATE	TITLE DRIVER/SINK SWITCH ASSY	
DO NOT SCALE DRAWING		CODE ENTRY NO. 21101	REV D
		DATE 10/21/71	44D0578
		SCALE 2/1	SHEET 1 OF 1

NOTES: (UNLESS OTHERWISE SPECIFIED)

1. ALL RESISTORS ARE 1/4 W, $\pm 5\%$
2. THIS DRAWING CONSISTS OF SHEETS 1.0, 2.0, 3.0, 4.0, 5.0, 6.0, 7.0, 8.0, 9.0, 10.0
3. ON IC'S 1, 3, 4, 6, 7, 8 & 10 PIN 14 IS CONNECTED TO +5 AND PIN 7 IS CONNECTED TO GRD.
4. PREFIX COMPONENT REFERENCE DESIGNATION NO. WITH CIRCUIT NO. EXAMPLE: CKT 1, R₁₀₁; CKT 2, R₂₀₂

REFERENCE DESIGNATIONS	
LAST USED	NOT USED
C24	C18, 19
CR15, CR_24	
L2	
Q26	
RS1, R_09	
RT 2	
IC 11	
A_04	

REFERENCE DRAWINGS	
44D0578	ASSEMBLY
44P0578	PARTS LIST
40D0497	BOARD DETAIL
97D0673	ARTWORK
97D0672	SILKSCREEN
97D0671	SOLDERMASK

DRN <i>[Signature]</i> 2/17/71	 vericon data machines / a vericon subsidiary 2722 northshore drive / irvine / california / 92614		
CHK <i>[Signature]</i> 10/18/71	TITLE		
DRGN <i>[Signature]</i> 9/8/71	LOGIC DIAGRAM		
ENGR <i>[Signature]</i> 1/28/71	DR/SK SW		
APPD <i>[Signature]</i>	REV		
APPD	THIS DOCUMENT MAY CONTAIN PROPRIETARY INFORMATION AND SUCH INFORMATION SHALL NOT BE DISCLOSED TO OTHERS FOR ANY PURPOSE OR USED TO PRODUCE THE ARTICLE OR SUBJECT WITHOUT WRITTEN PERMISSION FROM VDM	CODE IDENT NO.	SCALE
		21101	6205-100
		C	91C0346
			SHEET 1.0

REVISIONS				
REV	DATE	DESCRIPTION	APPROVED	DATE
X	09	PROTOTYPE RELEASE		
X	09	ADDED DIODES IN CKTS 1-4		
A		PRODUCTION RELEASED BY 80250	<i>[Signature]</i>	1/20/72
B		123 & 29 WAS .33UF SOVDC EN 80374	<i>[Signature]</i>	4/28/72
C		ADDED CRIS PER EN 81803	<i>[Signature]</i>	5/24/73

TABLE OF CONTENTS

DESCRIPTION	SHEET NO.
COVER	1.0
REVISION, TABLE OF CONTENTS & CONNECTOR PIN ASSIGNMENTS	2.0
DECOUPLING CAPS. & DRIVER SW'S, POSITIVE	3.0
DRIVER SWITCHES, NEGATIVE	4.0
SINK SWITCHES, NEGATIVE	5.0
SINK SWITCHES, POSITIVE	6.0
DRIVER LOGIC	7.0
SINK LOGIC	8.0
PREDRIVER	9.0
CURRENT SOURCES	10.0

CONNECTOR PI

PINS FUNCTION SHEET

1	GRD	
2		
3	GRD	
4	-12V	
5	GRD	
6	TCRX-	9.0
7	YS6B	8.0
8	YS6A	8.0
9	YS7B	8.0
10	YS7A	8.0
11	YS4B	8.0
12	YS4A	8.0
13	YS5B	8.0
14	YS5A	8.0
15	YS2B	8.0
16	YS2A	8.0
17	YS3B	8.0
18	YS3A	8.0
19	YS0B	8.0
20	YS0A	8.0
21	YS1B	8.0
22	YS1A	8.0
23	CA6A	7.0
24	CA1B	7.0
25	CA7A	7.0
26	CA0B	7.0
27	CA4A	7.0
28	CA3B	7.0
29	CA5A	7.0
30	CA2B	7.0
31	CA2A	7.0
32	CA7B	7.0
33	CA3A	7.0
34	CA6B	7.0
35	CA0A	7.0
36	CASB	7.0
37	CA1A	7.0
38	CA4B	7.0
39	SPARE	7.0
40	SPARE	7.0
41	GRD	

PINS FUNCTION SHEET

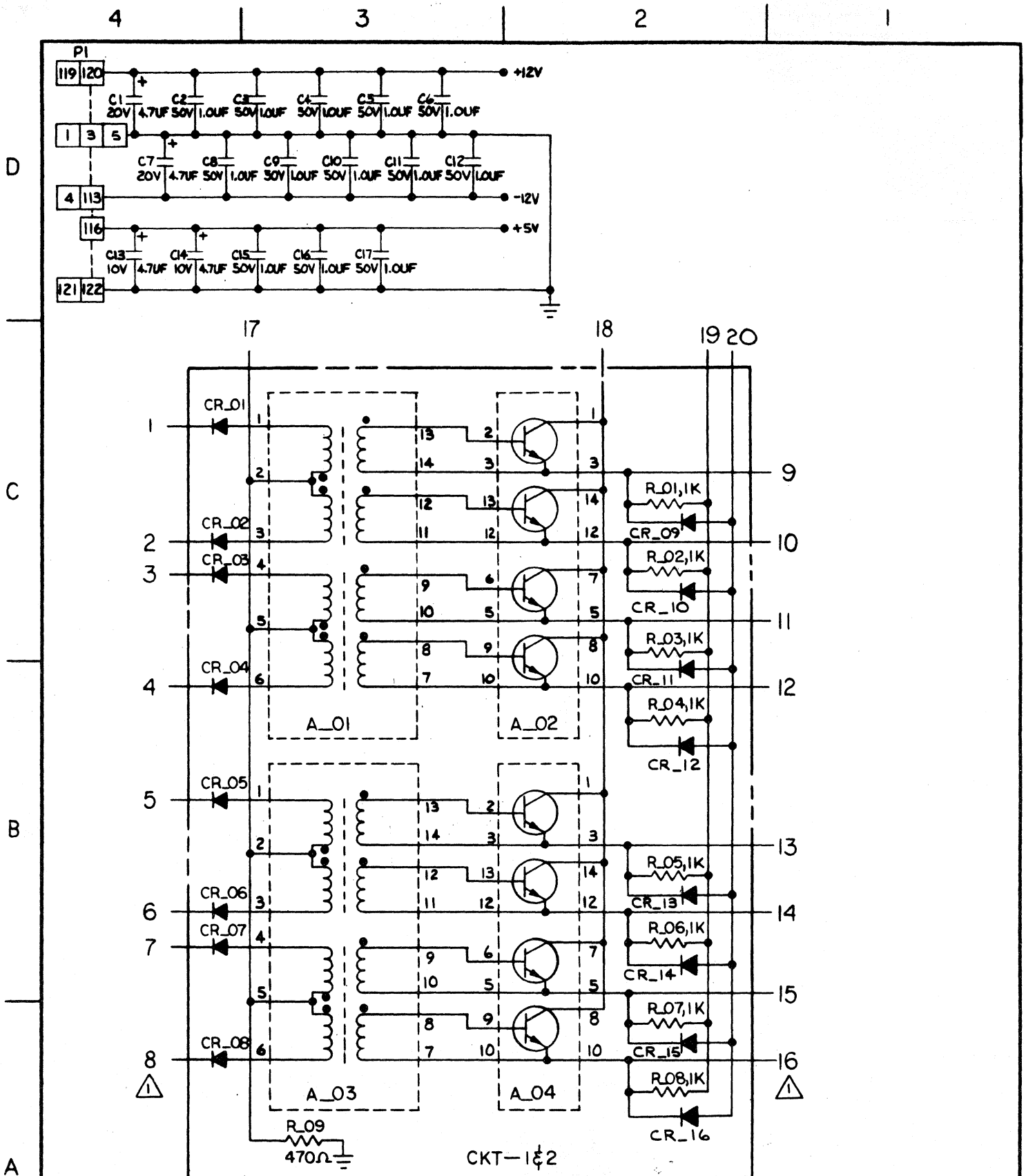
42	GRD	
43	L11X+	8.0
44	L10X+	8.0
45	GRD	
46	LO9X+	8.0
47	GRD	
48	RSTX-	9.0
49	GRD	
50	WSTX-	9.0
51	GRD	
52	SSLX-	9.0
53	GRD	
54	LO2X+	9.0
55	GRD	
56	LO5X+	7.0
57	GRD	
58	SDIS	7.0
59	GRD	
60	RXX-	7.0
61	NOT AVAILABLE	
62	NOT AVAILABLE	
63	GRD	
64	LO4X+	7.0
65	GRD	
66	LO1X+	7.0
67	GRD	
68	LO0X+	7.0
69	GRD	
70	LO3X+	7.0
71	GRD	
72	RWT2-	9.0
73	GRD	
74	L12X+	9.0
75	GRD	
76	RWT1-	9.0
77	GRD	
78	LOBX+	8.0
79	LO7X+	8.0
80	LO6X+	8.0
81	GRD	
82	GRD	

PINS FUNCTION SHEET

83	SPARE	7.0
84	CC1B	7.0
85	CC6A	7.0
86	CC0B	7.0
87	CC7A	7.0
88	CC3B	7.0
89	CC4A	7.0
90	CC2B	7.0
91	CC5A	7.0
92	CC5B	7.0
93	CC2A	7.0
94	CC4B	7.0
95	CC3A	7.0
96	CC7B	7.0
97	CC0A	7.0
98	CC6B	7.0
99	CC1A	7.0
100	XS6A	8.0
101	XS6B	8.0
102	XS7A	8.0
103	XS7B	8.0
104	XS4A	8.0
105	XS4B	8.0
106	XS5A	8.0
107	XS5B	8.0
108	XS2A	8.0
109	XS2B	8.0
110	XS3A	8.0
111	XS3B	8.0
112	XS0A	8.0
113	-12V	
114	XS1A	8.0
115	XS0B	8.0
116	+5V	
117	XS1B	8.0
118		
119	+12V	
120	+12V	
121	GRD	
122	GRD	

CONNECTOR FUNCTIONS

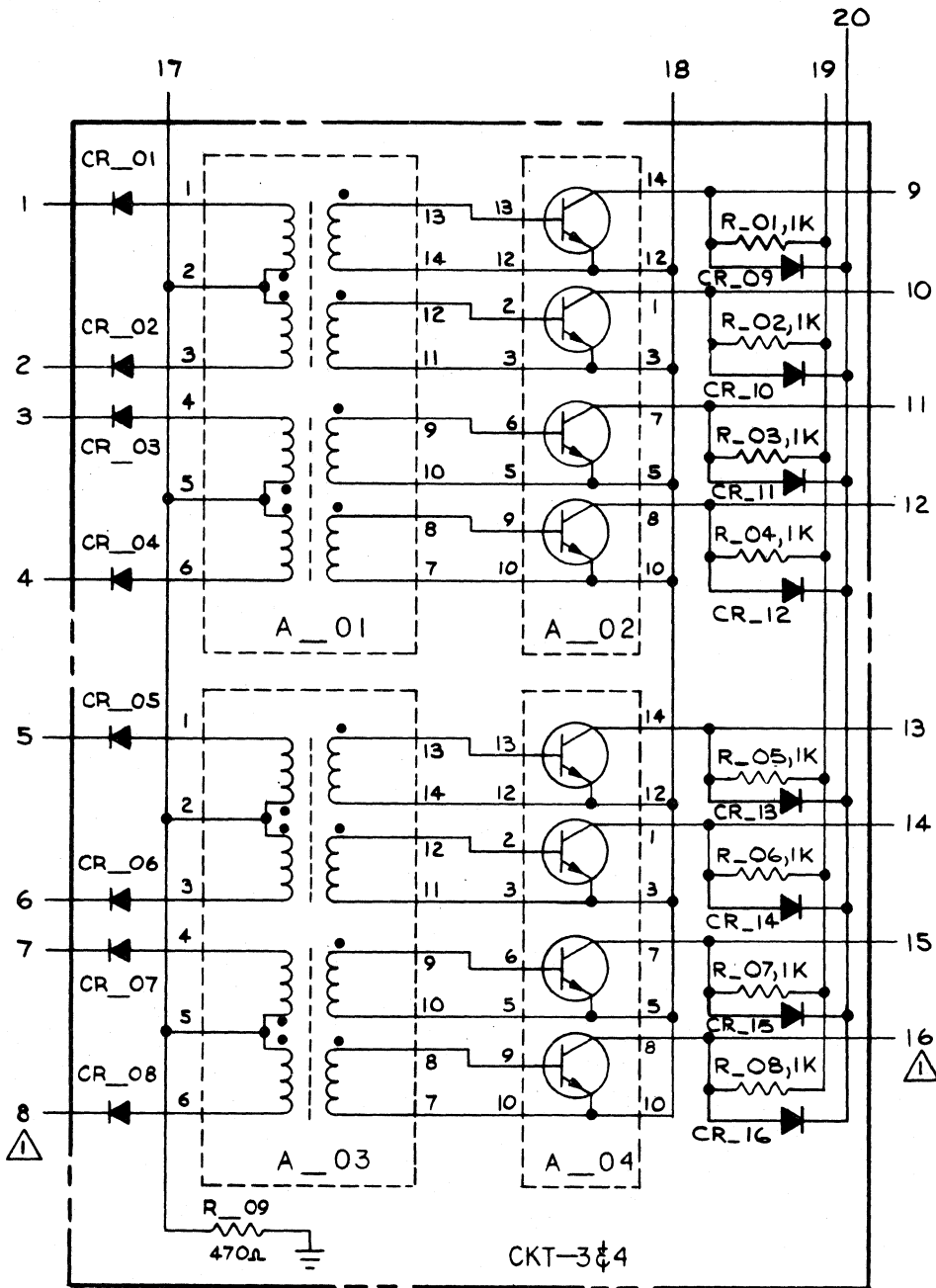
CODE IDENT NO.	REV	QWB NO	REV
21101	C	91C0346	C
SCALE	SHEET 2.0		



⚠ NUMBERS OUTSIDE PHANTOM LINES CORRESPOND TO CIRCUIT BLOCKS 1 & 2 ON SHT 7

DECOUPLING CAPS. & DRIVER SW'S, POSITIVE

CODE IDENT. NO.	SIZE	QWB NO.	REV.
21101	C	91C0346	C
SCALE			SHRIT 3.0



⚠ NUMBERS OUTSIDE PHANTOM LINES CORRESPOND TO CIRCUIT BLOCKS 3&4 ON SHT 7

DRIVER SWITCHES, NEGATIVE

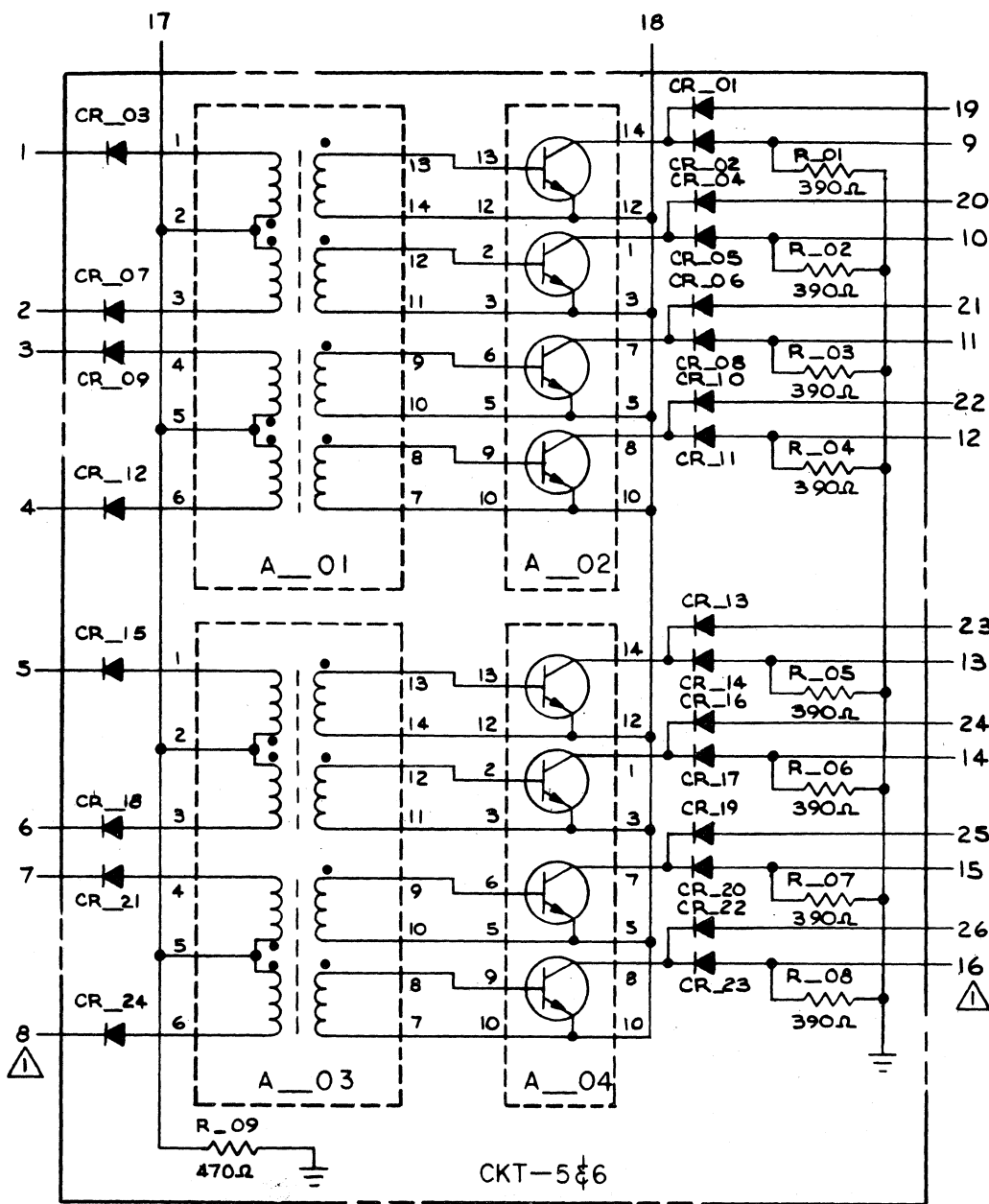
CODE IDENT NO.	SIZE	DWG NO.	REV.
21101	C	91C0346	C
SCALE	SHEET 4.0		

D

C

B

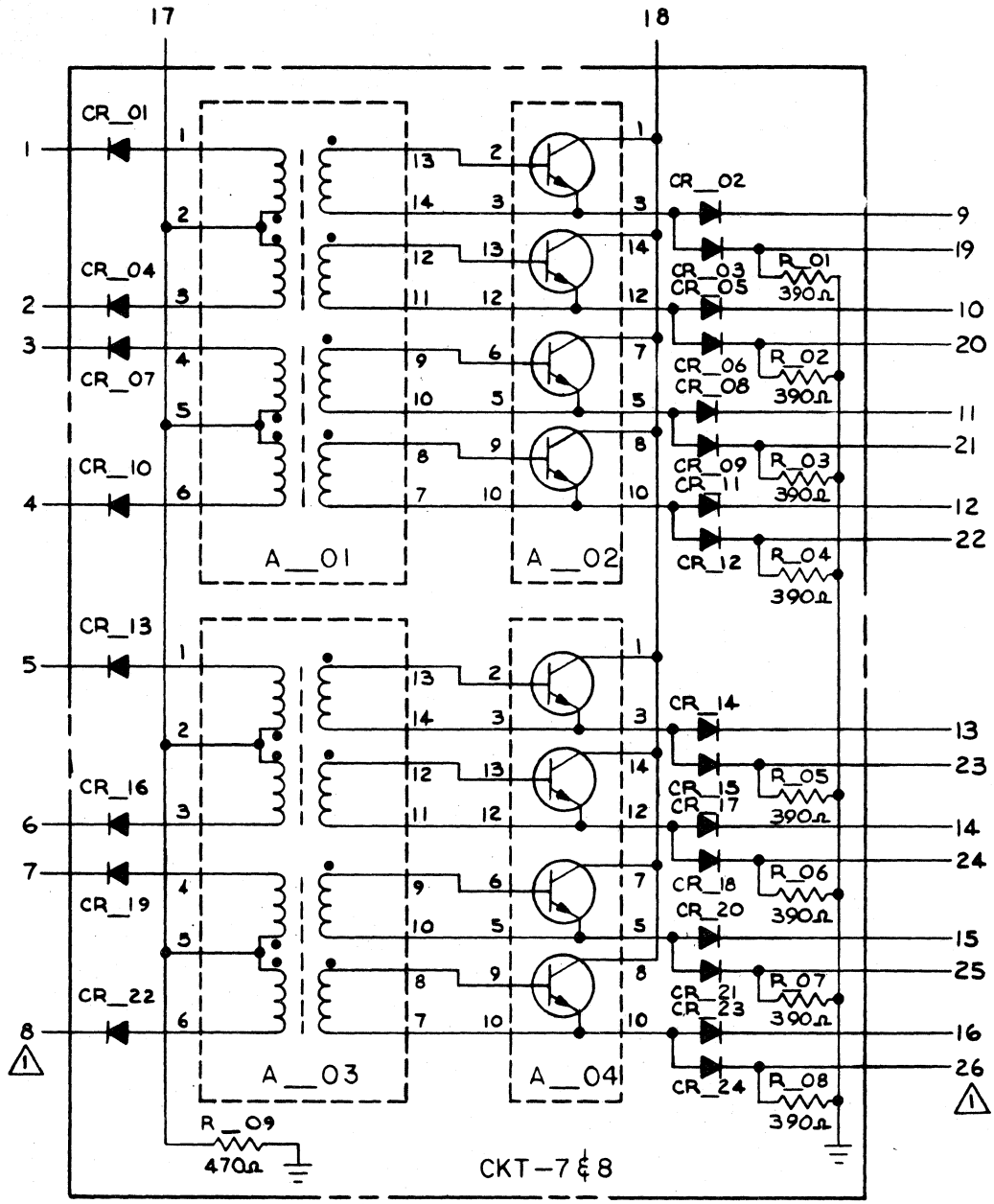
A



⚠ NUMBERS OUTSIDE PHANTOM LINES CORRESPOND TO CIRCUIT BLOCKS 5 & 6 ON SHT B

SINK SWITCH, NEGATIVE

CODE IDENT NO.	SIZE	DWG NO.	REV
21101	C	91C0346	C
SCALE —		SHEET 5.0	



⚠ NUMBERS OUTSIDE PHANTOM LINES CORRESPOND TO CIRCUIT BLOCKS 7 & 8 ON SHT 8

SINK SWITCH POSITIVE

CODE IDENT NO.	REV	DWG NO	REV
21101	C	91C0346	C
SCALE			SHEET 6.0

4

3

2

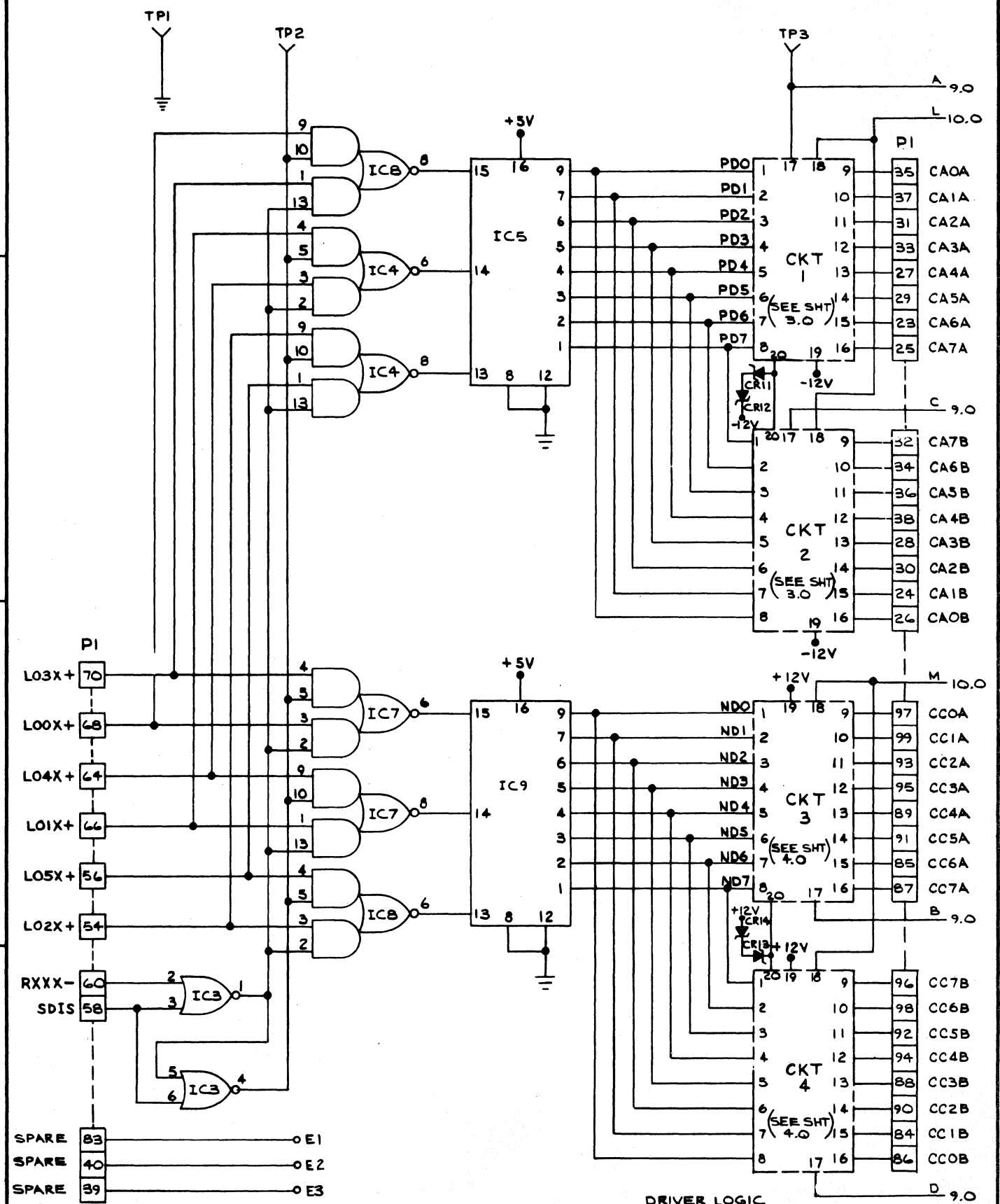
1

D

C

B

A



DRIVER LOGIC

CODE IDENT NO.	REV	DATE	NO	REV
21101	C	91C0346		C
SCALE				SHEET 7.0

4

3

2

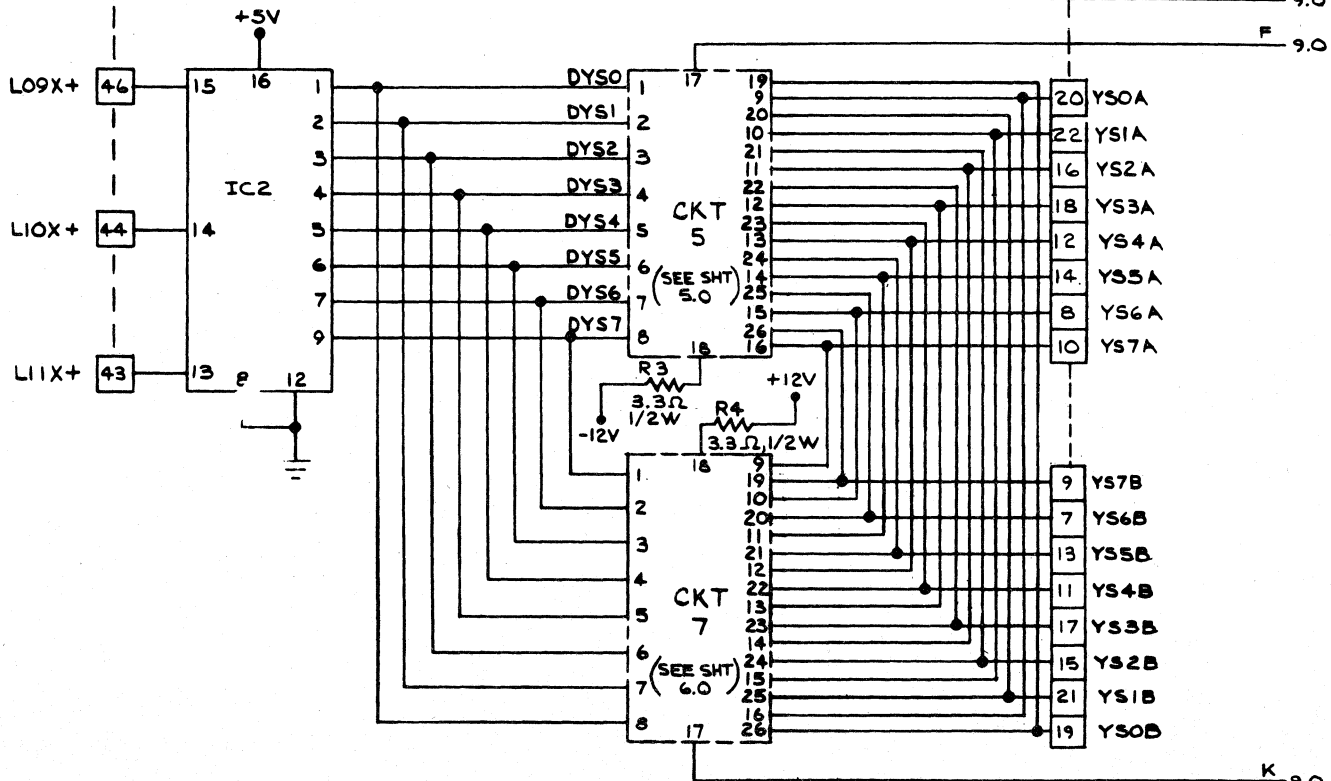
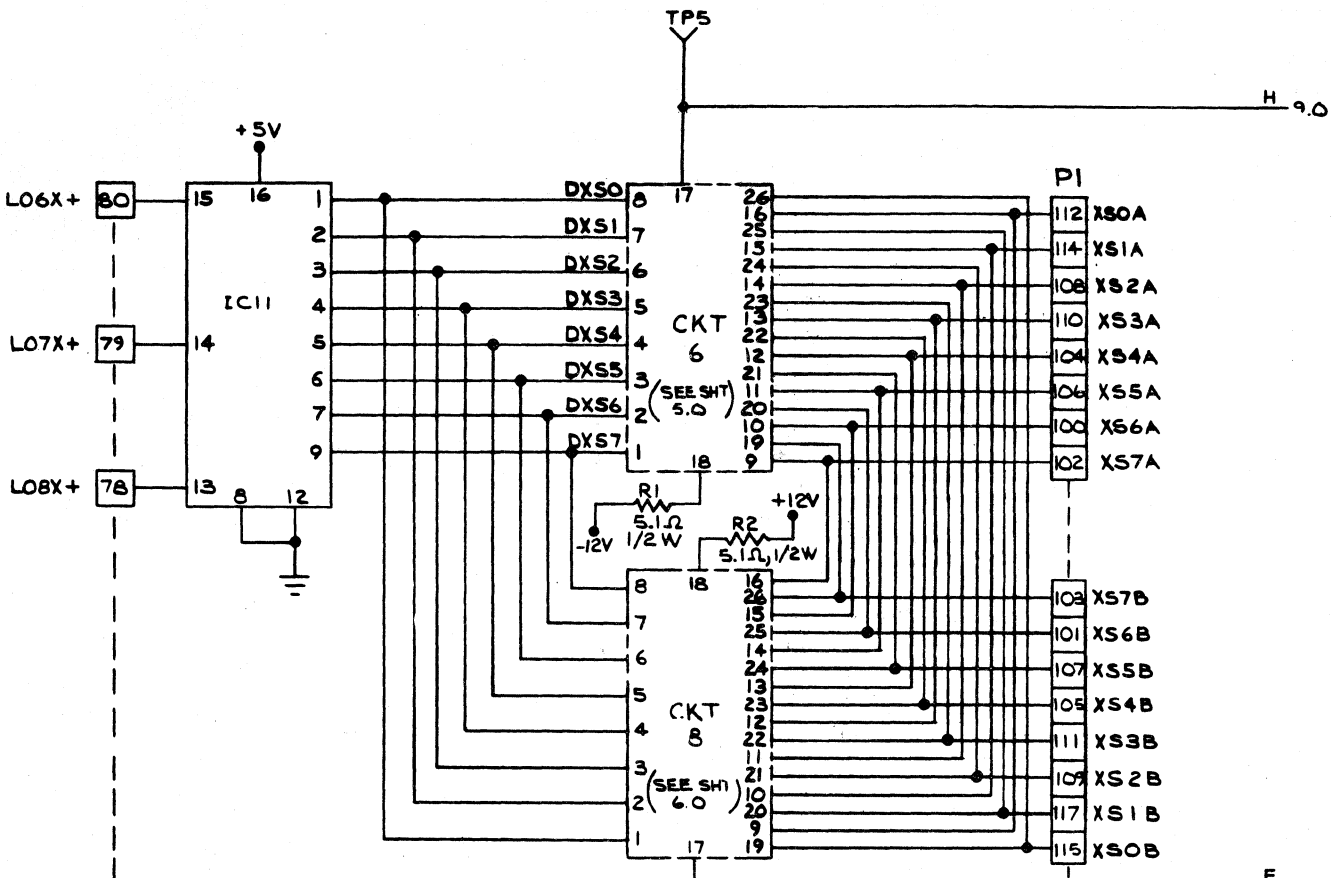
1

D

C

B

A



SINK LOGIC CIRCUITS

DATE	REV	BY	CHK
21101	C	91C0346	C
SCALE	SHEET 8.0		

4

3

2

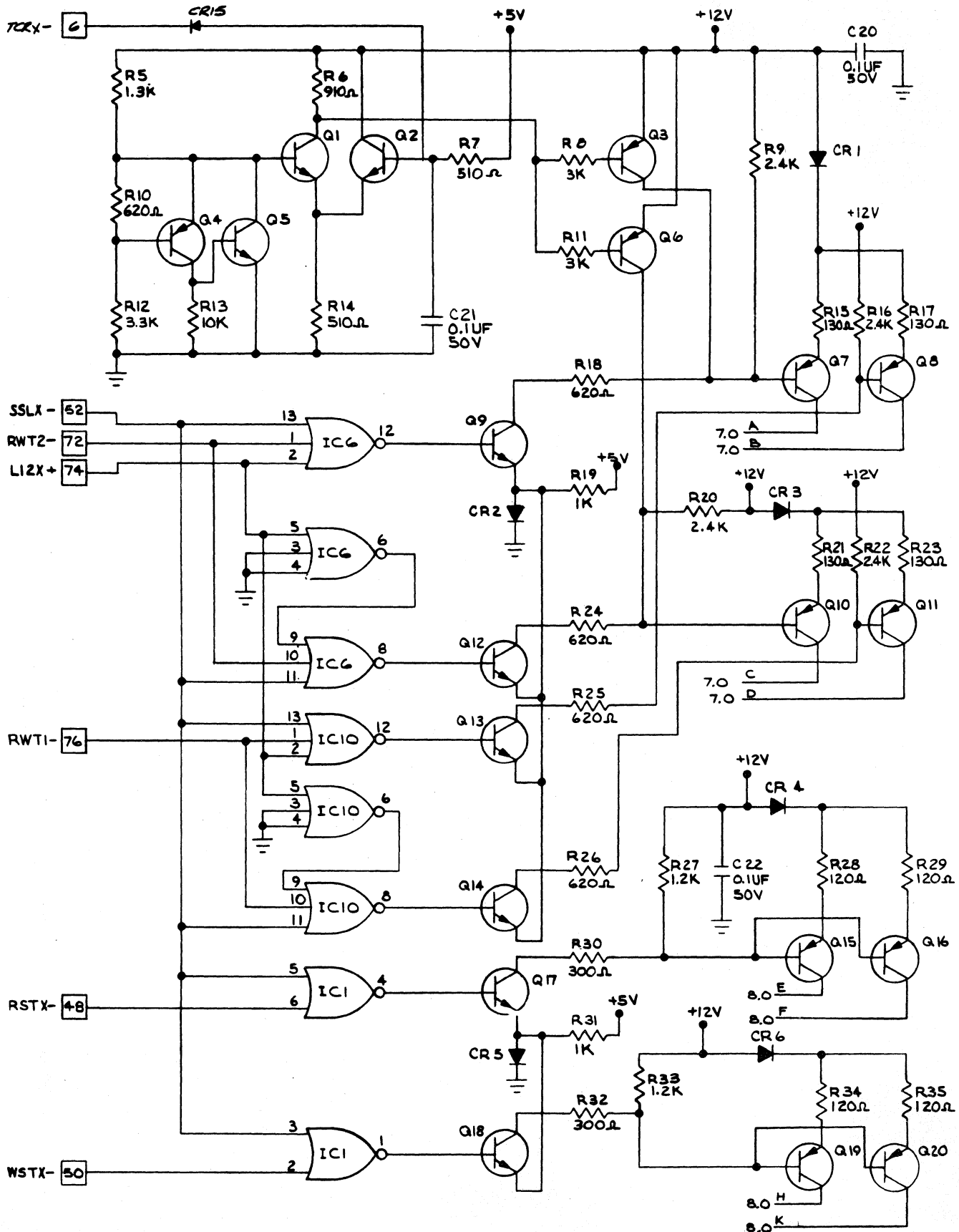
1

D

C

B

A



PREDRIVER CIRCUITS

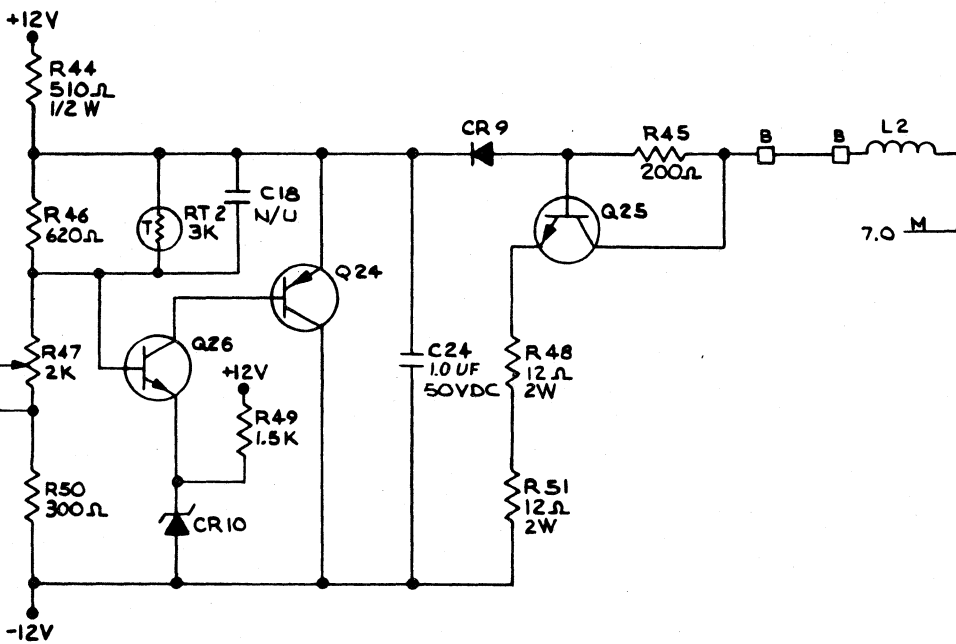
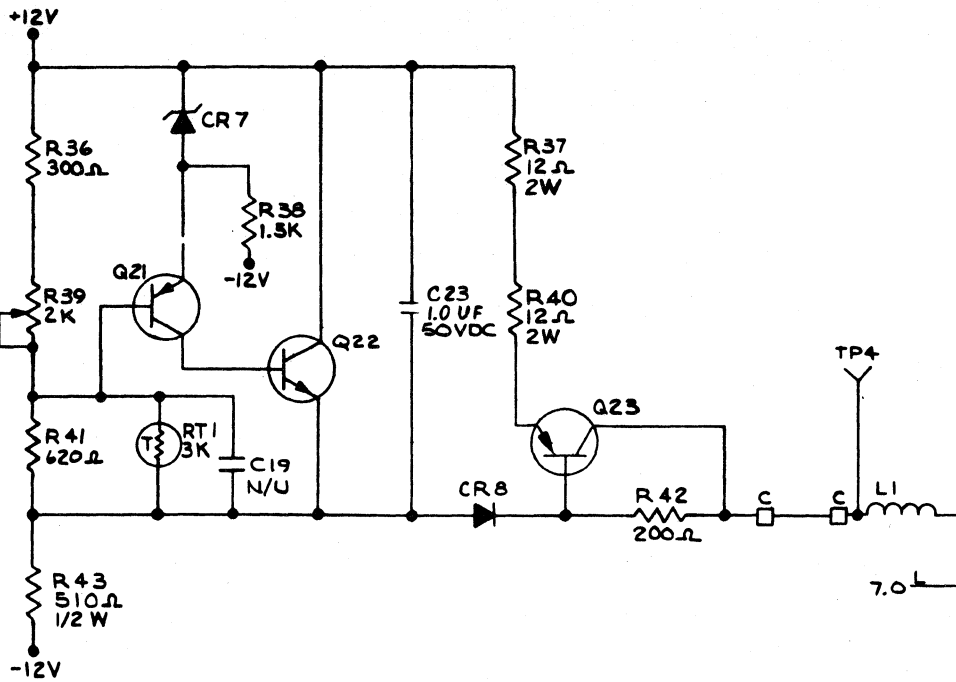
CODE IDENT NO.	SIZE	QWS NO.	REV
21101	C	91C0346	C
SCALE			SHEET 9.0

4

3

2

1



CURRENT SOURCES

CODE IDENT NO.	SIZE	DWG NO.	REV.
21101	C	91C0346	C
SCALE —			SHEET 10.0