

ILLUSTRATED PARTS BREAKDOWN

Mechanical Parts of
UNISERVO

PX 899

Prepared and Published by
Electronics Services Department

April 1958

Remington Rand Univac[®]

DIVISION OF SPERRY RAND CORPORATION

UNIVAC PARK, ST. PAUL 16, MINNESOTA

TABLE OF CONTENTS

Figure		Description	Page
1 A	501 130 00	Front Panel Assembly Uniservo I	1
B	501 966 00	Front Panel Assembly Uniservo HSP	3
C	501 947 00	Front Panel Assembly Uniservo CTC	5
2	500 797 00	Equalizer Assembly (ALL)	7
3	500 771 00	Loop Control Roller Assembly (ALL)	9
4	500 283 00	Auxiliary Tension Equalizer Assembly (ALL)	11
5 A	501 440 00	Magnetic Tape Panel Assembly Uniservo I	13
B	501 972 00	Magnetic Tape Panel Assembly Uniservo HSP	17
C	501 945 00	Magnetic Tape Panel Assembly Uniservo CTC	19
6 A	501 506 00	Left Reel Mount Assembly Uniservo I	23
B	501 940 00	Left Reel Mount Assembly Uniservo CTC-HSP	25
7	501 505 00	Right Reel Mount Assembly (ALL)	27
8	501 195 00	Actuator Link Assembly (ALL)	29
9 A	500 084 00	Control Panel Assembly Uniservo I	31
B	(No Number)	Control Panel Assembly Uniservo CTC-HSP	33
10	501 107 00 501 108 00	Large Idler Assembly (ALL)	35
11 A	501 520 00	Center Drive Assembly Uniservo I	37
B	502 627 00	Unidirectional Clutch Assembly Uniservo HSP	39
C	502 631 00	Bidirectional Clutch Assembly Uniservo CTC	41
12	(No Number)	Microswitch Actuator Assembly (ALL)	43
13	500 073 00	Low Inertia Idler Assembly Uniservo I-CTC	45
14 A	501 657 00	Magnetic Head Mounting Assembly Uniservo I	47
B	501 965 00	Magnetic Head Adapter Plate Assembly Uniservo HSP	49
C	501 942 00	Magnetic Head Adapter Plate Assembly Uniservo CTC	51
15	(No Number)	Mylar Feed Assembly (ALL)	53
16	500 065 00	Tape Clamp Assembly (ALL)	55

TABLE OF CONTENTS (Cont.)

Figure		Description	Page
17	500 281 00	Auxiliary Tension Pulley Assembly (ALL)	57
18	502 296 00 502 297 00	Left & Right Side Brake Assemblies (ALL)	59
19 A	500 780 00	Position Unit Panel Assembly Uniservo I	61
B	501 946 00	Position Unit Panel Assembly Uniservo CTC-HSP	63
20	500 808 00	Autosyn Arm Assembly (ALL)	65
21	500 780 00	Lower Panel Assembly (ALL)	67
22 A	501 050 00	Panel and Lock Assembly Uniservo I	69
B	501 959 00	Panel and Lock Assembly Uniservo CTC-HSP	71

MECHANICAL PARTS

FOR

UNISERVO

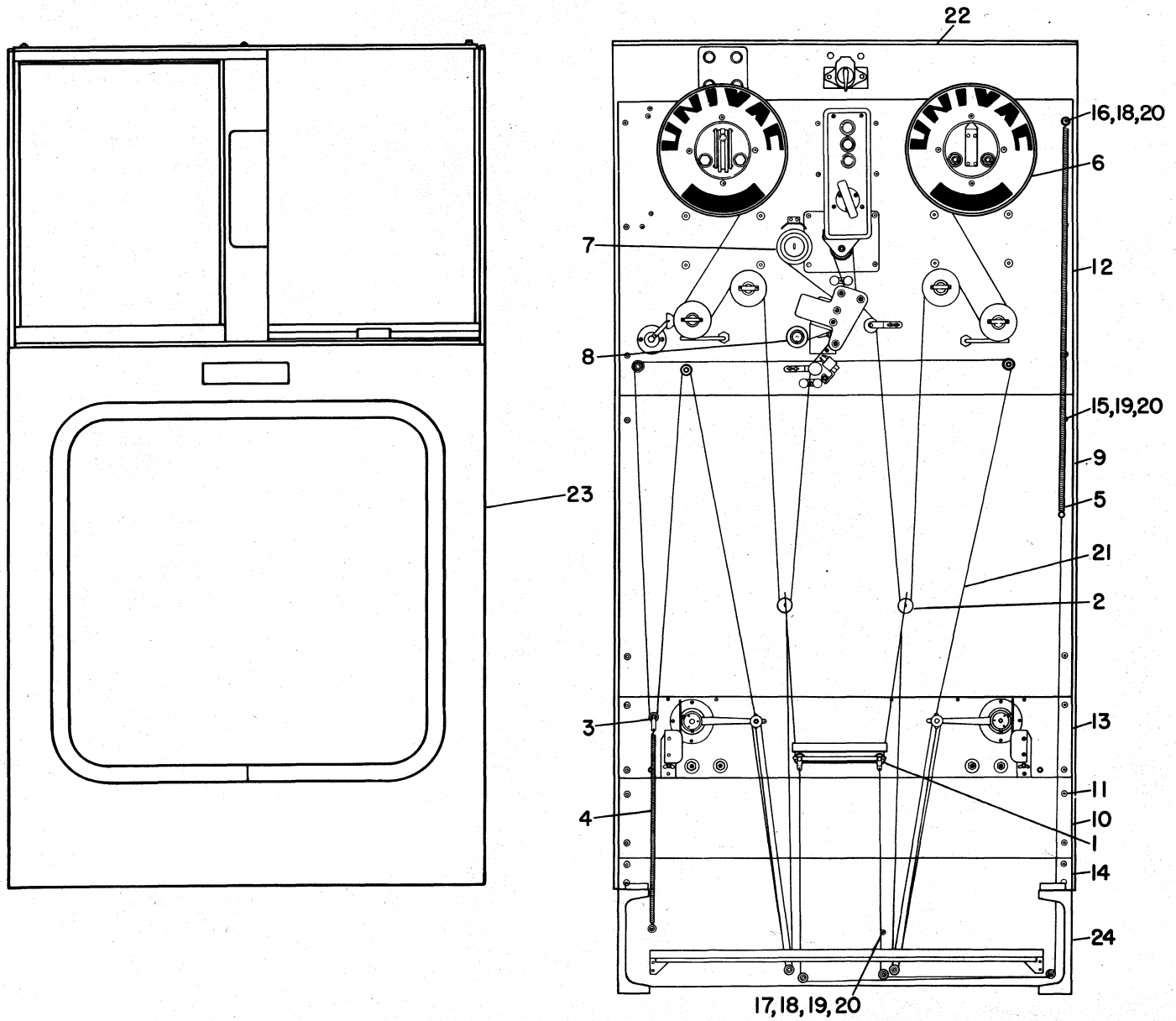


FIGURE IA. UNISERVO MAJOR SUBASSEMBLIES

FIGURE 1A

FRONT PANEL ASSEMBLY UNISERVO 1

INDEX NO.	PART NO.	UNITS PER ASSY	DESCRIPTION
		REF	UNISERVO NO. 1
1	501 130 00	1	PANEL ASSY, Uniservo I, front
1	500 797 00	1	EQUALIZER ASSY (see figure 2)
2	500 771 00	2	ROLLER ASSY, Loop control (see figure 3)
3	500 283 00	1	EQUALIZER ASSY, Auxiliary tension (see figure 4)
4	101 300 00	1	SPRING, Auxiliary tension
5	101 299 00	1	SPRING, Main tension (used with metal tape)
6	P/L 447	1	REEL AND LEADER ASSY, Take up
7	501 026 00	1	MYLAR BUFFER TAPE, 50 feet
8	501 027 00	1	SPOOL AND PIN ASSY
9	101 944 00	1	COVER PANEL, Upper
10	101 147 00	1	COVER PANEL, Lower (Attaching Parts)
11	711 462 33	8	SCREW, Hex socket hd cap, No. 10-32 by 5/8 in.
12	501 440 00	1	PANEL ASSY, Magnetic tape (see figure 5A)
13	500 781 00	1	POSITION UNIT PANEL ASSY (see figure 19A)
14	500 780 00	1	LOWER PANEL ASSY (see figure 21)(Attaching Parts)
15	711 462 33	13	SCREW, Hex socket hd cap, No. 10-32 by 5/8 in.
16	711 462 38	1	SCREW, Hex socket hd cap, No. 10-32 by 1-1/4 in.
17	711 262 33	2	SCREW, F1 hex socket hd mach, No. 10-32 by 5/8 in.
18	715 110 10	2	WASHER, Flat No. 10
19	715 410 10	16	WASHER, Spring lock, No. 10
20	714 111 10	16	NUT, Plain hex, No. 10-32
21	763 103 00	1	FISHLINE, 45 pound test, 60 feet
22	501 050 00	1	PANEL AND LOCK ASSY, Uniservo I (see figure 22A)
23	501 361 00	1	FRONT COVER ASSY, Uniservo I
24	No Number	1	MAIN FRAME AND VENTILATION ASSY

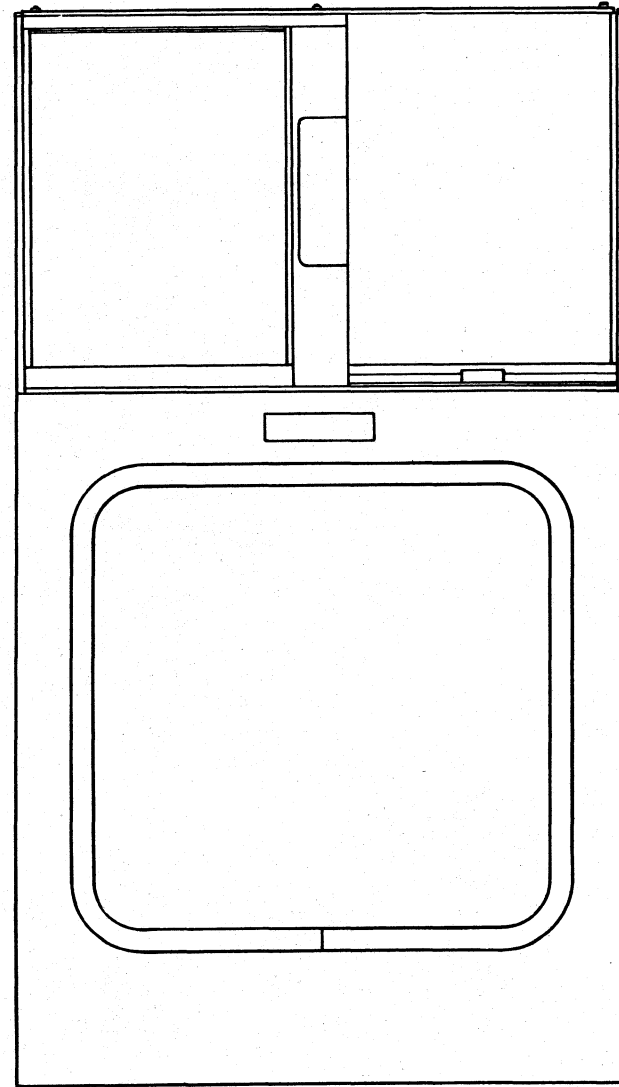
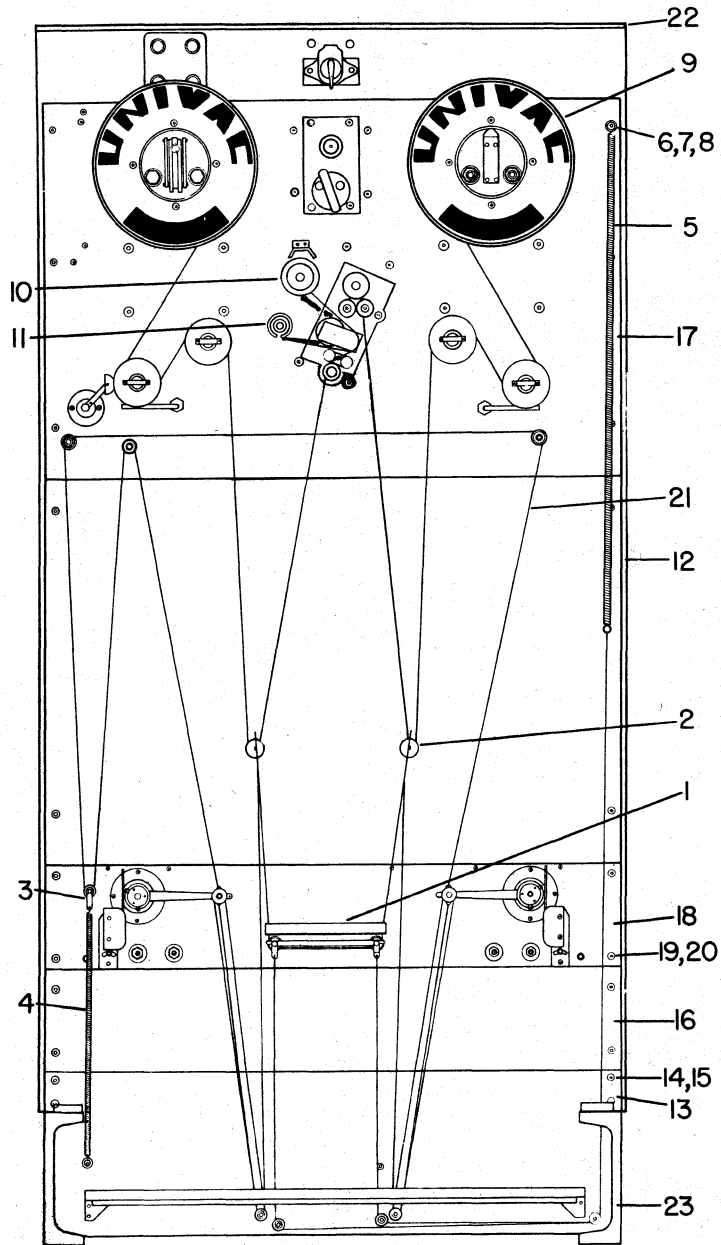


FIGURE 1B 501 966 00 HIGH SPEED PRINTER FRONT PANEL ASSEMBLY

FIGURE 1B

FRONT PANEL ASSEMBLY UNISERVO HSP

INDEX NO.	PART NO.	UNITS PER ASSY	DESCRIPTION
		REF	
	501 966 00	1	FRONT PANEL ASSY, Hi-Speed printer servo
1	500 797 00	1	EQUALIZER ASSY, (see figure 2)
2	500 771 00	2	ROLLER ASSY, Loop control (see figure 3)
3	500 283 00	1	PULLEY ASSY, Auxiliary tension (see figure 4)
4	101 300 00	1	SPRING, Auxiliary tension
5	101 299 00	1	SPRING, Main tension
6	101 050 00	1	POST, Main tension spring (Attaching Parts)
7	711 462 38	1	SCREW, Hex socket hd cap No. 10-32 by 1-1/4 in.
8	715 410 10	1	WASHER, Spring lock No. 10
9	501 015 01	1	REEL AND LEADER ASSEMBLY, Take up
10	501 026 00	1	RIBBON ASSY, Spacer
11	501 027 00	1	SPOOL AND PIN ASSY
12	104 404 00	1	COVER PANEL, Upper
13	101 147 00	1	COVER PANEL, Lower (Attaching Parts)
14	711 462 33	8	SCREW, Hex socket hd cap No. 10-32 by 5/8 in.
15	715 410 10	8	WASHER, Spring lock No. 10
16	500 780 00	1	PANEL ASSY, Lower (see figure 21)
17	501 972 00	1	PANEL ASSY, Magnetic tape (see figure 5B)
18	501 946 00	1	PANEL ASSY, Position unit (see figure 19B) (Attaching Parts)
19	711 462 33	13	SCREW, Hex socket hd cap No. 10-32 by 5/8 in.
20	715 410 10	13	WASHER, Spring lock No. 10
21	763 103 00	1	FISHLINE, 45 pound test nylon 60 feet
22	501 959 00	1	PANEL AND LOCK ASSY (see figure 22B)
23	No Number	1	MAIN FRAME AND VENTILATION ASSY.

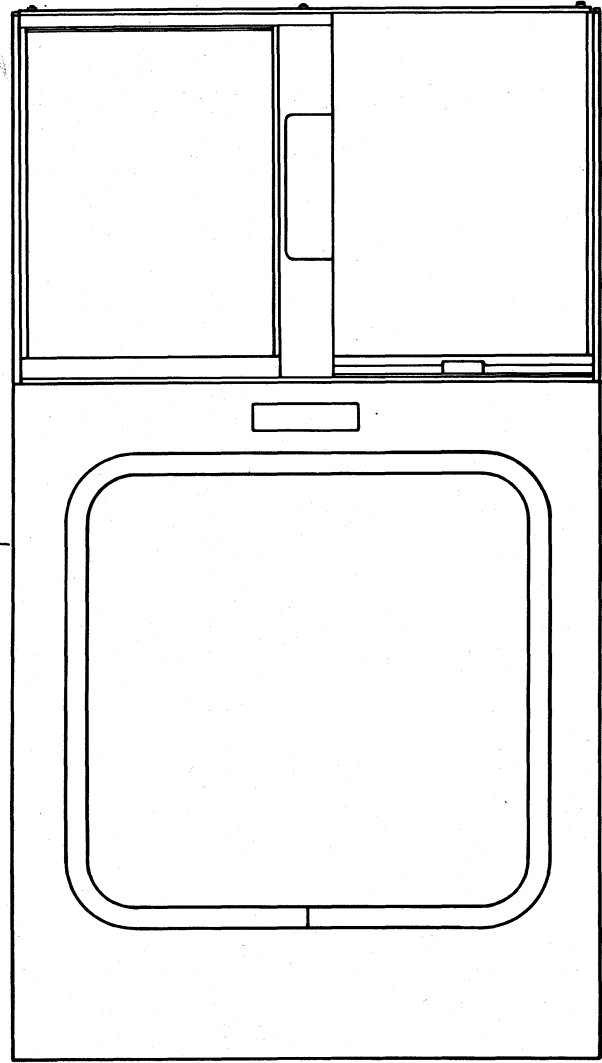
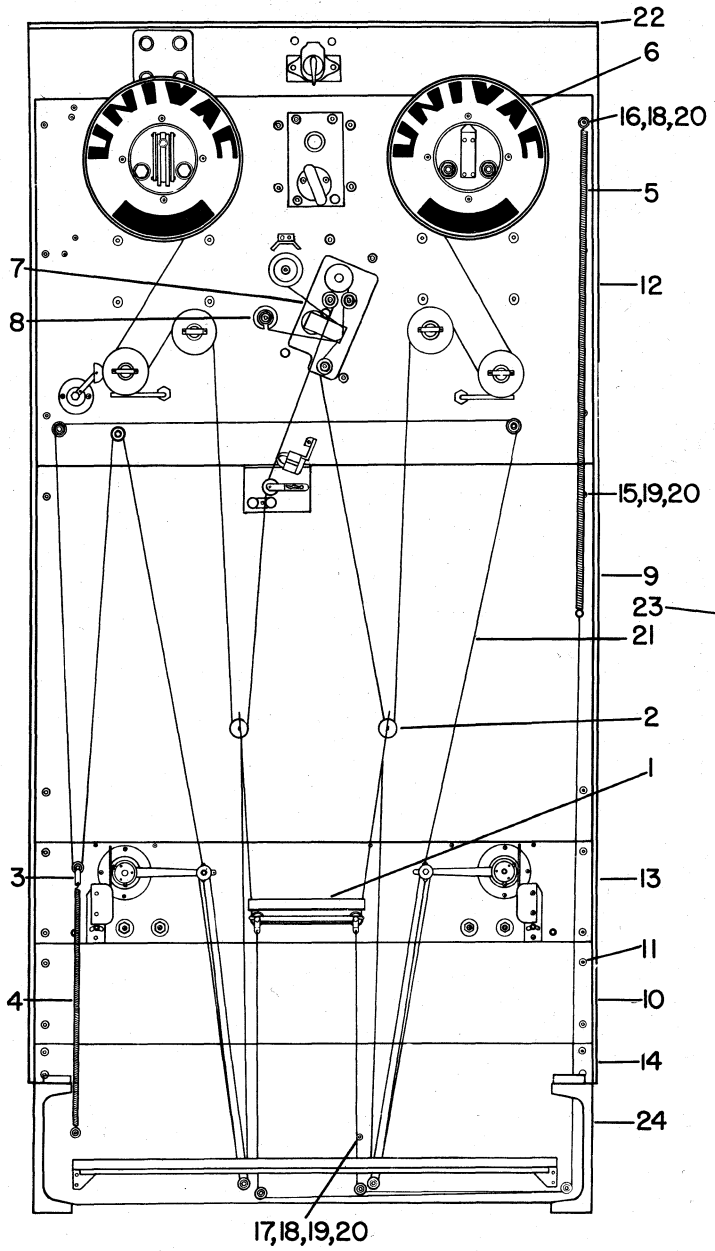
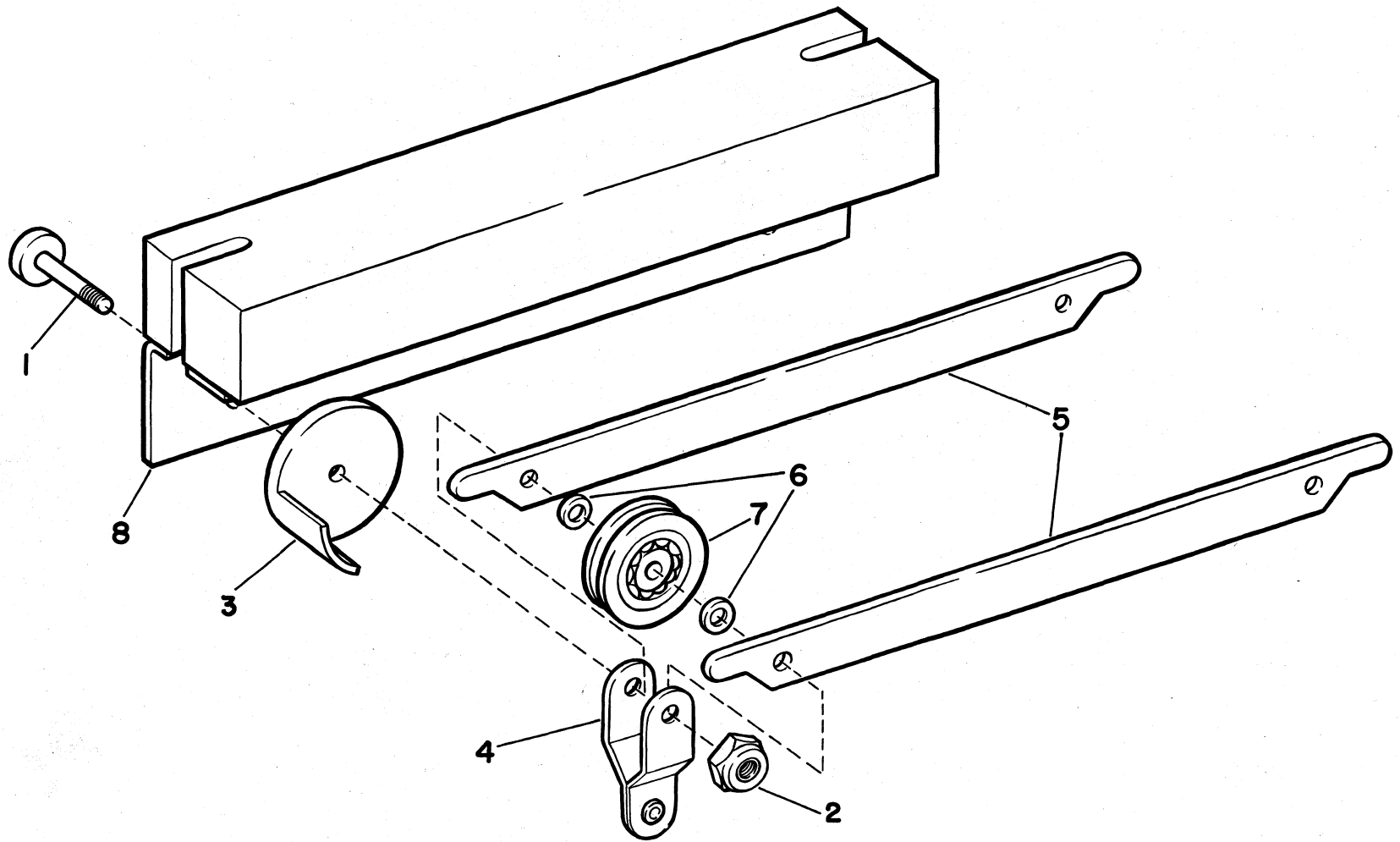


FIGURE IC 50I 947 00 CARD TO TAPE UNISERVO FRONT PANEL ASSEMBLY

FIGURE 1C

FRONT PANEL ASSEMBLY - CARD TO TAPE UNISERVO

INDEX NO.	PART NO.	UNITS PER ASSY	DESCRIPTION
	502 278 00	REF	SERVO ASSY, Card to tape
	501 947 00	1	PANEL ASSY, Card to tape front
1	500 797 00	1	EQUALIZER ASSY (see figure 2)
2	500 771 00	2	ROLLER ASSY, Loop control (see figure 3)
3	500 283 00	1	EQUALIZER ASSY, Auxiliary tension (see figure 4)
4	101 300 00	1	SPRING, Auxiliary tension
5	101 299 00	1	SPRING, Main tension (used with metal tape)
6	P/L 447	1	REEL AND LEADER ASSY, Take up
7	501 026 00	1	MYLAR BUFFER TAPE, 50 feet
8	501 027 00	1	SPOOL AND PIN ASSY
9	104 317 00	1	COVER PANEL, Upper
10	101 147 00	1	COVER PANEL, Lower (Attaching Parts)
11	711 462 33	8	SCREW, Hex socket hd cap No. 10-32 by 5/8 in.
12	501 945 00	1	PANEL ASSY, Tape (see figure 5C)
13	501 946 00	1	POSITION UNIT PANEL ASSY (see figure 19B)
14	500 780 00	1	LOWER PANEL ASSY (see figure 21)(Attaching Parts)
15	711 462 33	13	SCREW, Hex socket hd cap No. 10-32 by 5/8 in.
16	711 462 38	1	SCREW, Hex socket hd cap No. 10-32 by 1-1/4 in.
17	711 262 33	2	SCREW, Flat hex socket hd match No. 10-32 by 5/8 in.
18	715 110 10	2	WASHER, Flat No. 10
19	715 410 10	16	WASHER, Spring lock No. 10
20	714 111 10	16	NUT, Plain hex No. 10-32
21	763 103 10	1	FISHLINE, 25 pound test 60 feet
22	501 959 00	1	PANEL AND LOCK ASSY, Servo (see figure 22C)
23	501 961 00	1	FRONT COVER ASSY, Card to tape servo
24	No Number	1	MAIN FRAME AND VENTILATION ASSY.



**FIGURE 2. 500 797 00
EQUALIZER ASSEMBLY-EXPLODED VIEW**

FIGURE 2

EQUALIZER ASSEMBLY (CTC-HSP-I)

INDEX NO.	PART NO.	UNITS PER ASSY	DESCRIPTION
	500 797 00	REF	EQUALIZER ASSY (see figure 1)
1	102 248 01	2	SHAFT (Attaching Parts)
2	714 920 12	2	NUT, Stop
3	102 340 01	2	GUARD
4	500 796 00	1	YOKE ASSY, Equalizer
5	102 247 00	2	BAR, Side
6	101 500 39	4	SPACER
7	502 371 00	2	PULLEY AND BEARING ASSY
	*102 226 00	NP	PULLEY
	*721 006 20	NP	BEARING
8	500 858 00	1	GUARD ASSY, Equalizer
	102 416 00	1	GUARD, Equalizer bar
	102 417 02	1	MAT, Safety

*Press fit required. Order next higher assembly.

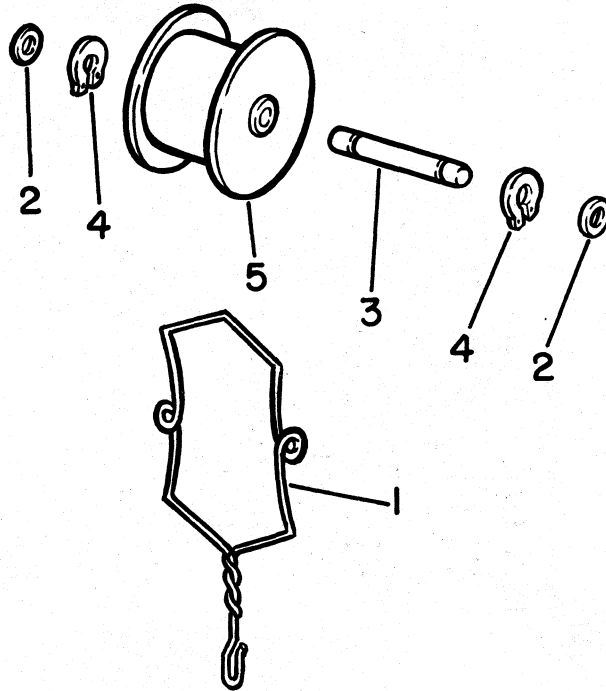


FIGURE 3. 500 771 00
LOOP CONTROL ROLLER ASSEMBLY-EXPLODED VIEW

FIGURE 3

LOOP CONTROL ROLLER ASSEMBLY (CTC-HSP-I)

INDEX NO.	PART NO.	UNITS PER ASSY	DESCRIPTION
	500 771 00	REF	ROLLER ASSY, Loop control (see figure 1)
1	500 767 00	1	GUARD AND FRAME ASSY.
2	103 665 03	2	SPACER
3	102 316 00	1	SHAFT, Loop tension pulley (Attaching Parts)
4	102 318	2	RETAINER
5	500 734 00	1	ROLLER ASSY, Loop tension
	100 227 00	2	PLATE
	100 228 00	1	TUBE

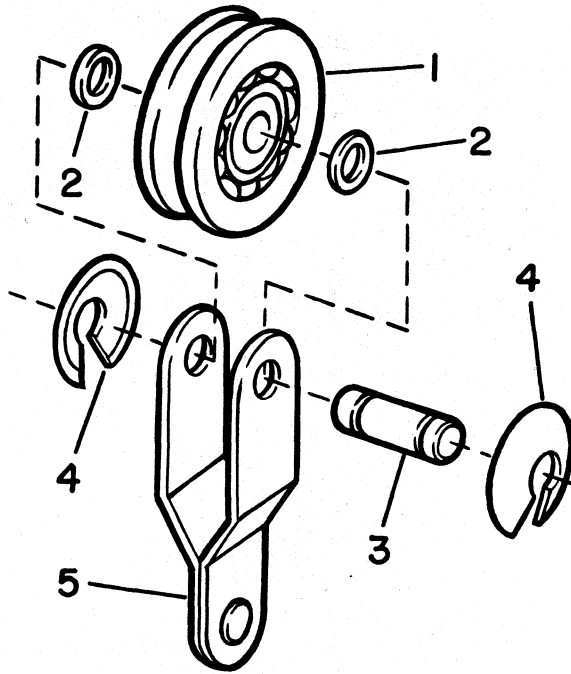


FIGURE 4. 500 283 00
AUXILIARY TENSION EQUALIZER ASSEMBLY-EXPLODED VIEW

FIGURE 4

AUXILIARY TENSION EQUALIZER ASSEMBLY (CTC-HSP-I)

INDEX NO.	PART NO.	UNITS PER ASSY	DESCRIPTION
	500 283 00	REF	EQUALIZER ASSY, Auxiliary tension (see figure 1)
1	502 371 00	1	PULLEY AND BEARING ASSY
	*102 226 00	NP	PULLEY
	*721 006 20	NP	BEARING
2	101 500 39	2	SPACER
3	102 349 00	1	SHAFT (Attaching Parts)
4	721 011 15	2	RING, Retaining
5	500 806 00	1	YOKE ASSY.

*Press fit required. Order next higher assembly.

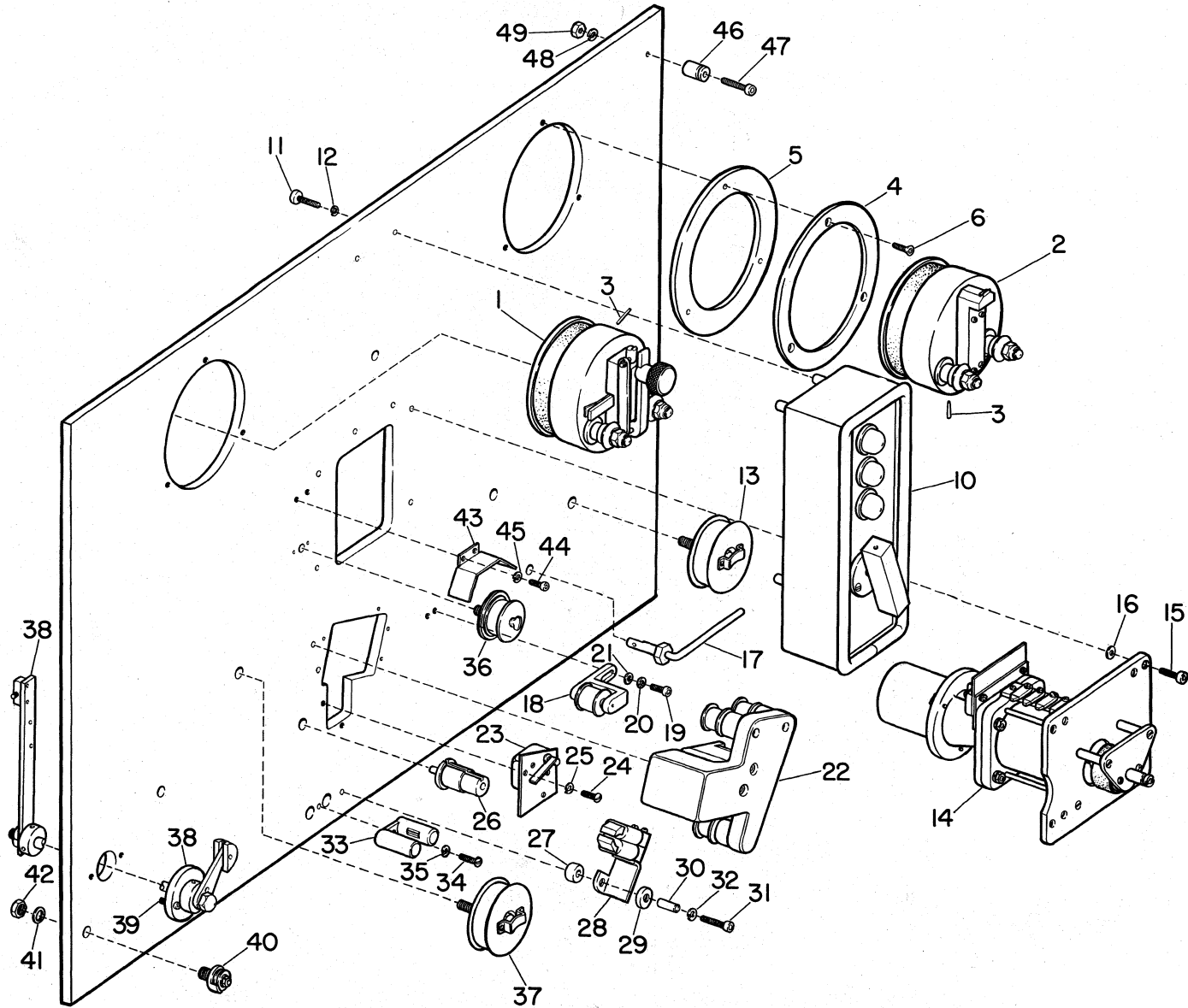


FIGURE 5A 501440 00 (FRONT)
MAGNETIC TAPE PANEL ASSEMBLY-EXPLODED VIEW

FIGURE 5A

MAGNETIC TAPE PANEL ASSEMBLY - UNISERVO I

INDEX NO.	PART NO.	UNITS PER ASSY	DESCRIPTION
	501 440 00	REF	PANEL ASSY, Magnetic tape (see item 12, figure 1A)
1	501 506 00	1	MOUNT ASSY, Left reel (see figure 6A)
2	501 505 00	1	MOUNT ASSY, Right reel (see figure 7) (Attaching Parts)
3	719 105 72	2	PIN, Taper
4	102 002 00	2	RING, Seal pressure
5	102 001 00	2	SEAL, Reel hub (Attaching Parts)
6	711 257 30	6	SCREW, Fl hex socket hd mach, No. 6-32 by 3/8 in.
7	501 195 00	1	LINK ASSY, Actuator (see figure 8)
8	101 129 00	1	SPRING, Tape clamper
9	100 338 00	1	STUD, Spring tension
10	500 084 00	1	CONTROL PANEL ASSY (see figure 9A) (Attaching Parts)
11	710 108 08	4	SCREW, Rd hd mach, No. 8-32 by 5/8 in.
12	715 408 10	4	WASHER, Spring lock No. 8
13	501 108 00	4	IDLER ASSY, Large tape (Uniservo serial No. 1 to 45) (see figure 10)
14	501 520 00	1	DRIVE ASSY, Center (see figure 11A) (Attaching Parts)
15	711 462 30	4	SCREW, Hex socket hd cap, No. 10-32 by 3/8 in.
16	102 861 6	2	SPACER
17	No Number	2	ACTUATOR ASSY, Microswitch (see figure 12)
18	500 073 00	2	IDLER ASSY, Low inertia (see figure 13) (Attaching Parts)
19	711 457 57	4	SCREW, Hex socket hd cap, No. 6-32 by 1/2 in.
20	715 406 10	4	WASHER, Spring lock No. 6
21	715 106 10	4	WASHER, Flat No. 6
22	501 657 00	1	MOUNTING ASSY, Head (see figure 14A) (Attaching Parts)
	711 411 08	2	SCREW, Hex socket hd cap, No. 10-32 by 5/8 in.
	715 410 10	2	WASHER, Spring lock No. 10
	715 110 10	2	WASHER, Flat No. 10
23	500 987 00	1	SWITCH ASSY, Safety (Attaching Parts)
24	710 555 28	2	SCREW, Binding hd mach, No. 4-40 by 1/4 in.
25	715 404 30	2	WASHER, Spring lock No. 4
26	102 886 00	REF	HUB, Motor reel (see item 15, figure 15)
27	102 754 09	1	SPACER
28	500 955 00	1	HEAD ASSY, DC erase
29	102 754 08	1	SPACER
30	763 100 66	1	TUBING Flexite No. 10 by 0.1 ft. (Attaching Parts)
31	711 455 33	1	SCREW, Hex socket hd cap, No. 4-40 by 5/8 in.
32	715 404 30	1	WASHER, Spring lock, No. 4
33	502 011 00	2	HOOD AND MOUNTING PLATE ASSY (Attaching Parts)
34	710 155 30	2	SCREW, Rd hd mach, No. 4-40 by 3/8 in.
35	715 404 30	2	WASHER, Spring lock, No. 4
36	No Number	1	LAYOUT AND ASSY, Mylar feed (see figure 15) (REF DSK 3074)
37	501 107 00	4	IDLER ASSY, Large (Uniservo serial No. 45 and up) (see figure 10)
38	500 065 00	1	CLAMPING ASSY, Tape (see figure 16) (Attaching Parts)
39	711 257 55	2	SCREW, Fl hex socket hd mach, No. 6-32 by 3/8 in.
40	500 281 11	3	PULLEY ASSY, Auxiliary tension (see figure 17) (Attaching Parts)
41	715 716 10	3	WASHER, Internal tooth lock, 3/8 in.
42	714 716 10	3	NUT, Plain hex, No. 3/8 -16
43	102 677 00	1	SHIELD, Dust (Attaching Parts)
44	711 455 28	2	SCREW, Hex socket hd cap, No. 4-40 by 1/4 in.
45	715 404 30	2	WASHER, Spring lock, No. 4
46	101 050 00	1	POST, Tension spring (Attaching Parts)
47	711 462 38	REF	SCREW, Hex socket hd cap, No. 10-32 by 1-1/4 in.

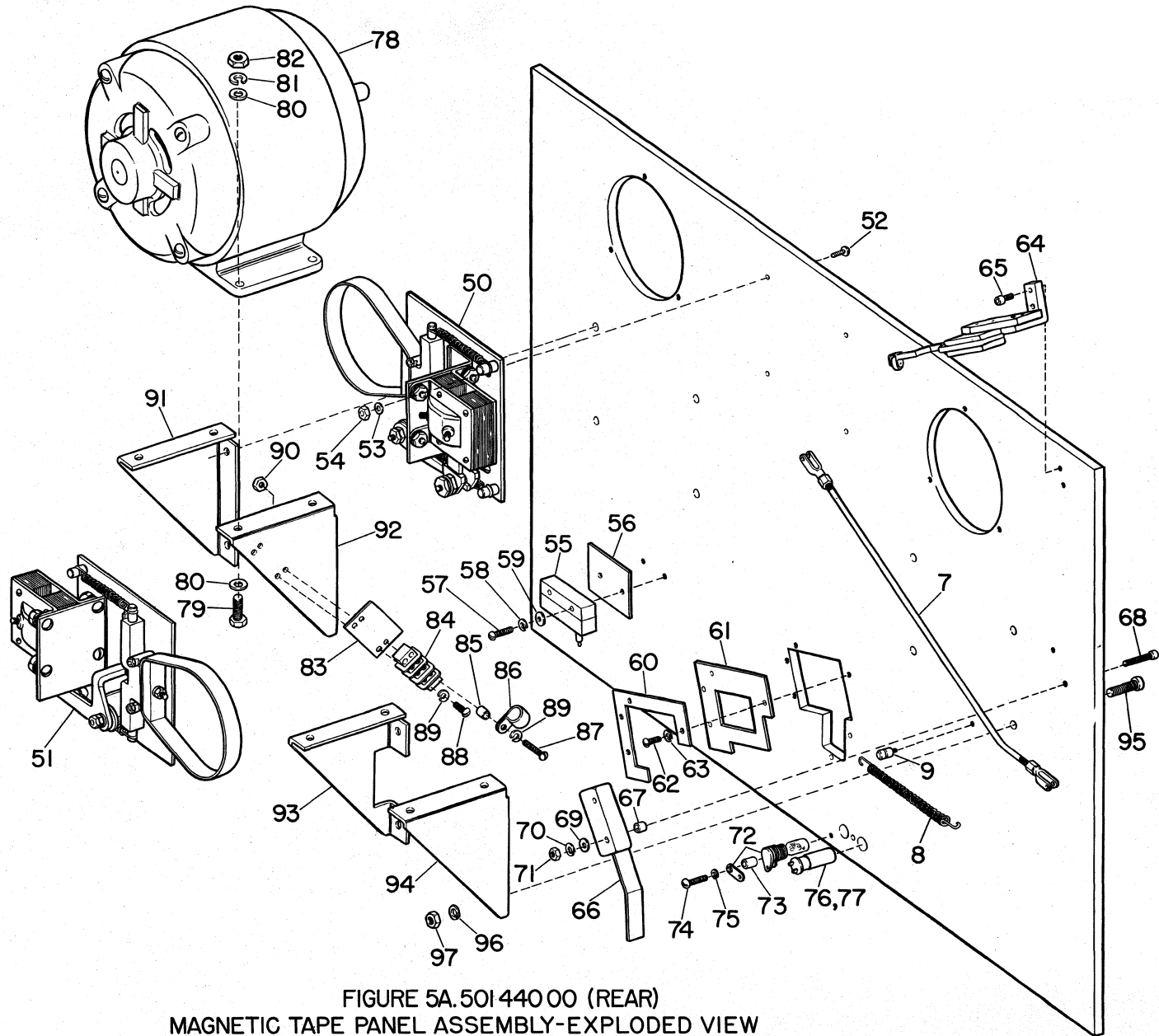


FIGURE 5A.501 440 00 (REAR)
MAGNETIC TAPE PANEL ASSEMBLY-EXPLODED VIEW

FIGURE 5A

MAGNETIC TAPE PANEL ASSEMBLY - UNISERVO I (CONT.)

INDEX NO.	PART NO.	UNITS PER ASSY	DESCRIPTION
48	715 410 10	REF	WASHER, Spring lock, No. 10
49	714 111 10	REF	NUT, Plain hex, No. 10-32
50	502 297 00	1	BRAKE ASSY, Right side (see figure 18)
51	502 296 00	1	BRAKE ASSY, Left side (see figure 18) (Attaching Parts)
52	711 257 33	4	SCREW, Fl hex socket hd mach, No. 6-32 by 5/8 in.
53	715 106 10	4	WASHER, Flat, No. 6
54	714 920 16	4	NUT, Stop No. 6-32
55	734 150 35	2	MICROSWITCH
56	102 862 00	2	SPACER, Switch (Attaching Parts)
57	710 106 11	4	SCREW, Rd hd mach, No. 6-32 by 1 in.
58	715 406 10	4	WASHER, Spring lock, No. 6
59	715 106 10	4	WASHER, Flat No. 6
60	102 802 00	1	PLATE, Seal
61	102 801 00	1	SEAL, Dust (Attaching Parts)
62	710 106 05	4	SCREW, Rd hd mach, No. 6-32 by 3/8 in.
63	715 406 10	4	WASHER, Spring lock, No. 6
64	500 410 00	1	SWITCH ASSY, Non erase (Attaching Parts)
65	711 457 57	2	SCREW, Hex socket hd cap, No. 6-32 by 1/2 in.
66	500 241 00	1	SWITCH ASSY, Tape clamper
67	101 500 22	2	SPACER (Attaching Parts)
68	711 257 39	2	SCREW, Fl hex socket hd mach, No. 6-32 by 1-1/2 in.
69	715 106 10	2	WASHER, Flat, No. 6
70	715 406 10	2	WASHER, Spring lock, No. 6
71	714 106 10	2	NUT, Plain hex, No. 6-32
72	501 111 00	2	LAMP AND SOCKET ASSY
73	102 861 02	2	SPACER (Attaching Parts)
74	710 104 08	2	SCREW, Rd hd mach, No. 4-40 by 5/8 in.
75	715 404 30	2	WASHER, Spring lock, No. 4
76	733 700 30	2	SOCKET, Photocell
77	745 012 00	2	PHOTOCELL
78	102 981 00	2	MOTOR (Attaching Parts)
79	711 715 10	8	SCREW, Hex hd mach, No. 5/16-18 by 7/8 in.
80	715 115 10	16	WASHER, Flat, 5/16 in.
81	715 415 10	8	WASHER, Spring lock, 5/16 in.
82	714 115 10	8	NUT, Plain hex, No. 5/16-18
	108 959 00	REF	ROTOR ASSY, Motor
83	733 421 04	2	STRIP, Marking
84	733 402 04	2	STRIP, Terminal
85	103 667 03	2	SPACER
86	724 002 05	2	CLAMP, Cable (Attaching Parts)
87	710 106 10	2	SCREW, Rd hd mach, No. 6-32 by 7/8 in.
88	710 106 08	6	SCREW, Rd hd mach, No. 6-32 by 5/8 in.
89	715 406 10	8	WASHER, Spring lock, No. 6
90	714 106 10	8	NUT, Plain hex, No. 6-32
91	100 346 02	1	BRACKET, Reel mounting
92	100 346 01	1	BRACKET, Reel mounting
93	101 005 02	1	BRACKET, Reel mounting
94	101 005 01	1	BRACKET, Reel mounting (Attaching Parts)
95	711 264 34	8	SCREW, Fl hex socket hd mach, No. 1/4-20 by 3/4 in.
96	715 414 10	8	WASHER, Spring lock, 1/4 in.
97	714 113 10	8	NUT, Plain hex, No. 1/4-20
98	102 858 00	1	PANEL, Tape drive

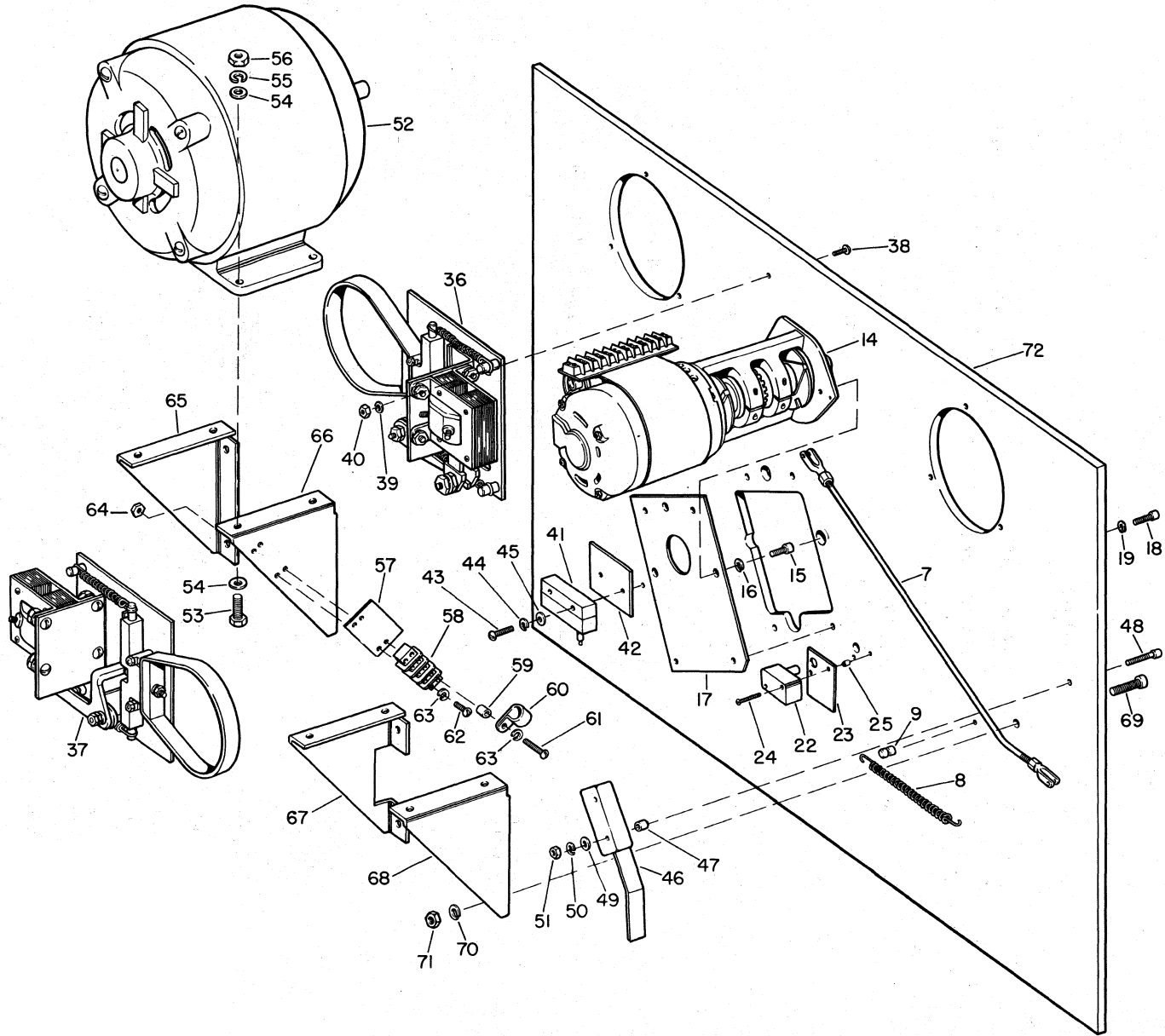


FIGURE 5B 501 972 00 TAPE PANEL ASSEMBLY - EXPLODED VIEW

FIGURE 5B

MAGNETIC TAPE ASSEMBLY - HSP

INDEX NO.	PART NO.	UNITS PER ASSY	DESCRIPTION
	501 972 00	REF	PANEL ASSY, Magnetic tape (see item 17, figure 1)
1	501 505 00	1	MOUNT ASSY, Take up (see figure 7)
2	501 940 00	1	MOUNT ASSY, Supply reel (see figure 8) (Attaching Parts)
3	719 105 72	2	PIN, Taper
4	102 002 00	2	RING, Seal pressure
5	102 001 00	2	SEAL, Reel hub (Attaching Parts)
6	711 257 32	6	SCREW, Flat hex socket hd mach No. 6-32 by 1/2 in.
7	501 195 00	1	LINK ASSY, Actuator (see figure 8)
8	101 129 00	1	SPRING, Tape clamper
9	100 338 00	1	STUD, Spring tension
10	No Number	1	PANEL ASSY, Control (see figure 9B) (Attaching Parts)
11	710 108 08	4	SCREW, rd hd mach No. 8-32 by 5/8 in.
12	715 408 10	4	WASHER, Spring lock No. 8
13	501 108 00	2	IDLER ASSY, Large tape (see figure 10)
14	502 627 00	1	CLUTCH ASSY, Unidirectional (see figure 11B)(Attaching Parts)
15	711 464 33	3	SCREW, Hex socket hd cap No. 1/4-20 by 5/8 in.
16	715 414 10	3	WASHER, Spring lock 1/4 in.
17	501 965 00	1	PLATE ASSY, Adapter (see figure 13) (Attaching Parts)
18	711 464 33	4	SCREW, Hex socket hd cap No. 1/4-20 by 5/8 in.
19	715 414 10	4	WASHER, Spring lock 1/4 in.
20	No Number	2	ACTUATOR ASSY, Microswitch (see figure 12)
21	102 682 00	2	STUD, Mylar guide
22	501 941 00	1	SWITCH AND ARM ASSY
23	104 306 00	1	INSULATOR SHEET (Attaching Parts)
24	710 104 10	2	SCREW, Rd hd mach No. 4-4- by 7/8 in.
25	736 400 75	2	GROMMET
26	No Number	1	LAYOUT AND ASSY, Mylar feed (see figure 15)
27	501 107 00	2	IDLER ASSY, Large (see figure 10)
28	500 065 00	1	CLAMPING ASSY, Tape (see figure 16) (Attaching Parts)
29	711 257 55	2	SCREW, Flat hex socket hd mach No. 6-32 by 3/8 in.
30	500 281 00	3	PULLEY ASSY, Auxiliary tension (see figure 17) (Attaching Parts)
31	715 716 10	3	WASHER, Internal tooth lock 3/8 in.
32	714 716 10	3	NUT, Plain hex, No. 3/8 -16
33	102 677 00	1	SHIELD, Dust (Attaching Parts)
34	711 455 288	2	SCREW, Hex socket hd cap No. 4-40 by 1/4 in.
35	715 404 30	2	WASHER, Spring lock No. 4
36	502 297 00	1	BRAKE ASSY, Right side (see figure 18)
37	502 296 00	1	BRAKE ASSY, Left side (see figure 18) (Attaching Parts)
38	711 257 33	4	SCREW, Flat hex socket hd mach No. 6-32 by 5/8 in.
39	715 106 10	4	WASHER, Flat No. 6
40	714 920 16	4	NUT, Stop No. 6-32
41	734 150 35	2	MICROSWITCH
42	102 862 00	2	SPACER, Switch (Attaching Parts)
43	710 106 11	4	SCREW, Rd hd mach No. 6-32 by 1 in.
44	715 406 10	4	WASHER, Spring lock No. 6
45	715 106 10	4	WASHER, Flat No. 6
46	104 311 00	1	MICROSWITCH, Modified
47	101 500 22	2	SPACER (Attaching Parts)
48	711 257 39	2	SCREW, Flat hex socket hd mach No. 6-32 by 1-1/2 in.
49	715 106 10	2	WASHER, Flat No. 6
50	715 406 10	2	WASHER, Spring lock No. 6
51	714 106 10	2	NUT, Plain hex No. 6-32
52	102 981 00	2	MOTOR, Modified (Attaching Parts)
53	711 715 10	8	SCREW, Hex hd mach No. 5/16-18 by 7/8 in.
54	715 115 10	8	WASHER, Flat 5/16 in.
55	715 415 10	8	WASHER, Spring lock 5/16 in.
56	714 115 10	8	NUT, Plain hex No. 5/16-18
	108 959 00	REF	ROTOR ASSY, Motor
57	733 421 04	2	STRIP, Marking
58	733 402 04	2	STRIP, Terminal
59	100 100 27	2	SPACER
60	724 002 05	2	CLAMP, Cable (Attaching Parts)
61	710 106 10	2	SCREW, Rd hd mach No. 6-32 by 7/8 in.
62	710 106 08	6	SCREW, Rd hd mach No. 6-32 by 5/8 in.
63	715 406 10	8	WASHER, Spring lock No. 6
64	714 106 10	8	NUT, Plain hex No. 6-32
65	100 346 02	1	BRACKET, Motor mounting
66	100 346 01	1	BRACKET, Motor mounting
67	104 398 00	1	BRACKET, Motor mounting
68	101 005 01	1	BRACKET, Motor mounting (Attaching Parts)
69	711 264 32	8	SCREW, Flat hex socket hd mach No. 1/4-20 by 1/2 in.
70	715 414 10	8	WASHER, Spring lock 1/4 in.
71	714 113 10	8	NUT, Plain hex No. 1/4-20
72	501 763 02	1	BEARING AND PANEL SUBASSY, Oilite

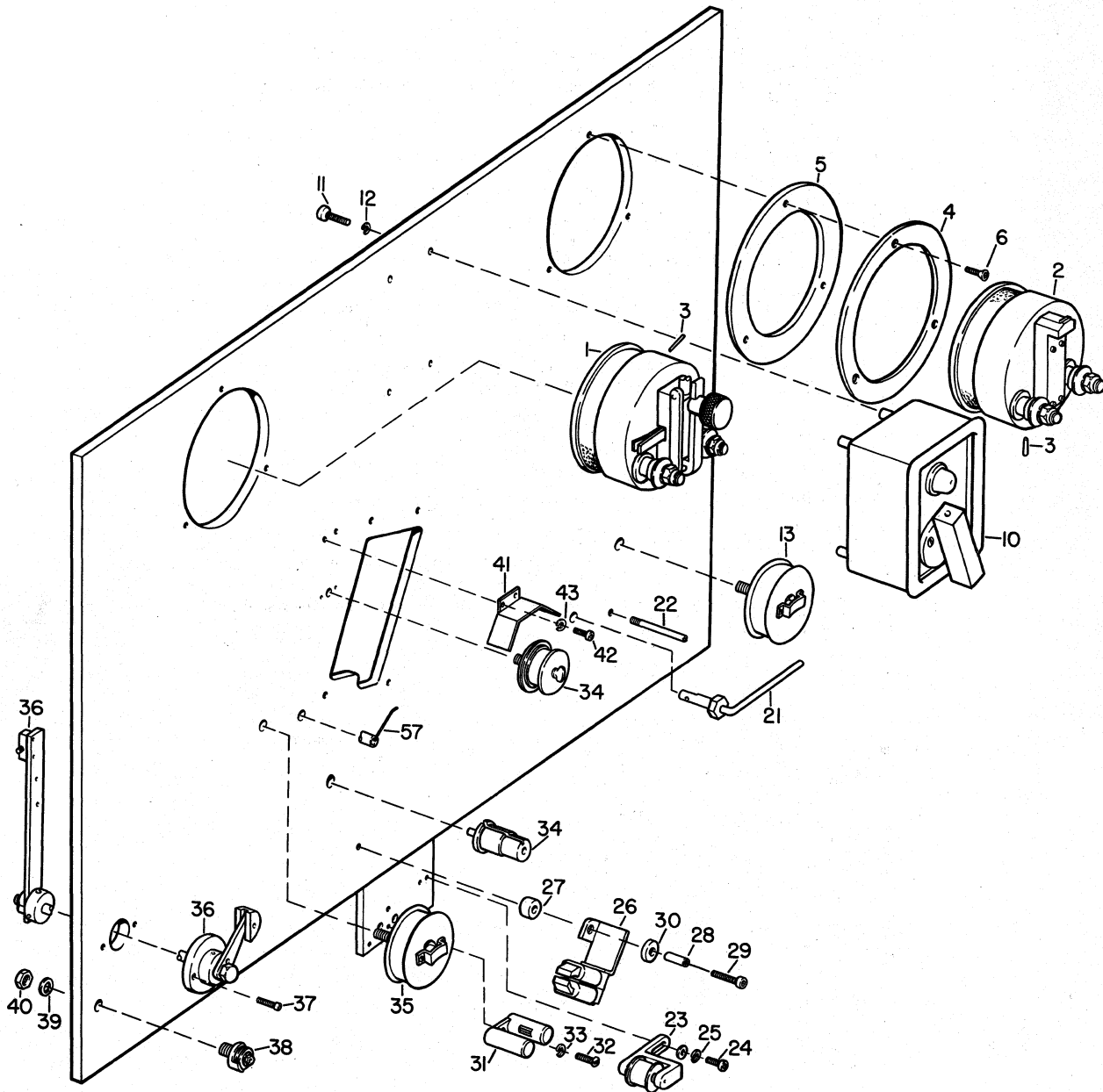


FIGURE 5C 50I 945 00 TAPE PANEL ASSEMBLY (FRONT)
EXPLODED VIEW

FIGURE 5C

TAPE PANEL ASSEMBLY - CTC

INDEX NO.	PART NO.	UNITS PER ASSY	DESCRIPTION
	501 945 00	REF	PANEL ASSY, Tape (see item 12, figure 1C)
1	501 940 00	1	MOUNT ASSY, Supply reel (see figure 6B)
2	501 505 00	1	MOUNT ASSY, Take up reel (see figure 7)(Attaching Parts)
3	719 105 72	2	PIN, Taper
4	102 002 00	2	RING, Seal pressure
5	102 001 00	2	SEAL, Reel hub (Attaching Parts)
6	711 257 32	6	SCREW, Flat hex socket hd mach No. 6-32 by 1/2 in.
7	501 195 00	1	LINK ASSY, Actuator (see figure 8)
8	101 129 00	1	SPRING, Tape clamper
9	100 338 00	1	STUD, Spring tension
10	No Number	1	PANEL ASSY, Control (see figure 9C)(Attaching Parts)
11	710 108 08	4	SCREW, Rd hd mach No. 8-32 by 5/8 in.
12	715 408 10	4	WASHER, Spring lock No. 8
13	501 108 00	2	IDLER ASSY, Large tape (see figure 10)
14	502 631 00	1	CLUTCH ASSY, Bidirectional (see figure 11C) (Attaching Parts)
15	711 464 33	2	SCREW, Hex socket hd cap No. 1/4-20 by 5/8 in.
16	715 414 10	2	WASHER, Spring lock 1/4 in.
17	711 264 33	1	SCREW, Flat hex socket hd cap No. 1/4-20 by 5/8 in.
18	501 942 00	1	PLATE ASSY, Adapter (see figure 14C) (Attaching Parts)
19	711 464 33	4	SCREW, Hex socket hd cap No. 1/4-20 by 5/8 in.
20	715 414 10	4	WASHER, Spring lock 1/4 in.
21	No Number	2	ACTUATOR ASSY, Microswitch (see figure 13)
22	102 682 00	2	STUD, Mylar guide
23	500 073 00	1	IDLER ASSY, Low inertia (see figure 13) (Attaching Parts)
24	711 457 57	2	SCREW, Hex socket hd cap No. 6-32 by 1/2 in.
25	715 406 10	2	WASHER, Spring lock No. 6
26	502 596 00	1	HEAD ASSY, DC erase
27	102 754 08	1	SPACER 3/16 in.
28	763 100 66	1	TUBING, Flexite No. 10 by 11/32 in. (Attaching Parts)
29	711 455 33	1	SCREW, Hex socket hd mach No. 4-40 by 5/8 in.
30	102 754 08	1	SPACER, 1/16 in.
31	502 011 00	1	HOOD AND MOUNTING PLATE ASSY (Attaching Parts)
32	710 155 30	1	SCREW, Rd hd mach No. 4-40 by 3/8 in.
33	715 404 30	1	WASHER, Spring lock No. 4
34	No Number	1	LAYOUT AND ASSY, Mylar feed (see figure 15)(REF DSK 3074)
35	501 107 00	2	IDLER ASSY, Large (see figure 10)
36	500 065 00	1	CLAMPING ASSY, Tape (see figure 16) (Attaching Parts)
37	711 257 55	2	SCREW, Flat socket hd mach No. 6-32 by 3/8 in.
38	500 281 00	3	PULLEY ASSY, Auxiliary tension (see figure 17) (Attaching Parts)
39	715 716 10	3	WASHER, Internal tooth lock 3/8 in.
40	714 716 10	3	NUT, Plain hex No. 3/8-16
41	102 677 00	1	SHIELD, Dust (Attaching Parts)
42	711 455 28	2	SCREW (Hex socket hd cap No. 4-40 by 1/4 in.)
43	715 404 30	2	WASHER, Spring lock No. 4
44	502 297 00	1	BRAKE ASSY, Right side (see figure 18)
45	502 296 00	1	BRAKE ASSY, Left side (see figure 18) (Attaching Parts)
46	711 257 33	4	SCREW, Flat hex socket hd mach No. 6-32 by 5/8 in.
47	715 106 10	4	WASHER, Flat No. 6
48	714 920 16	4	NUT, Stop No. 6-32

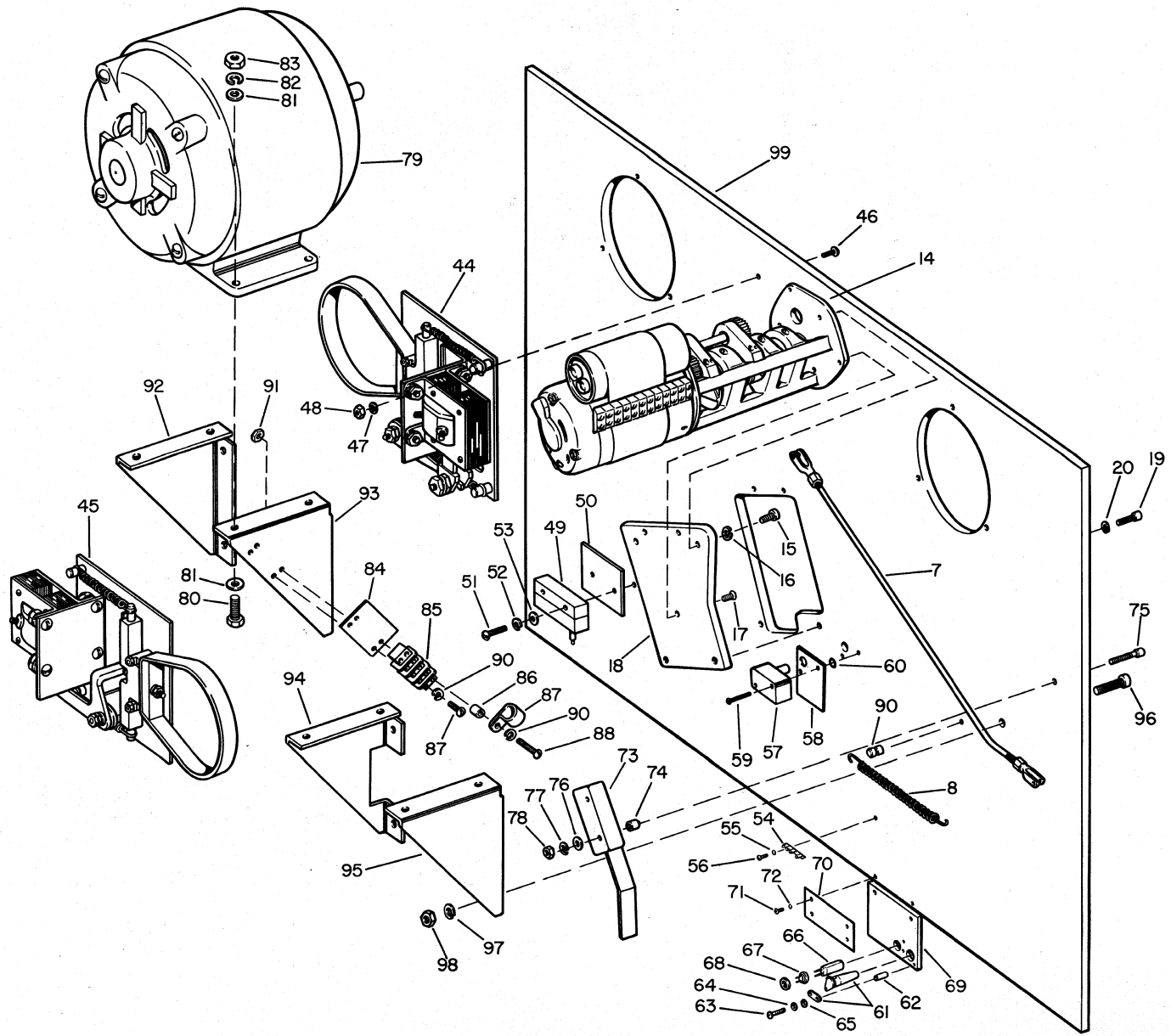


FIGURE 5C 501 94-5 00 TAPE PANEL ASSEMBLY-EXPLODED VIEW (REAR)

FIGURE 5C

TAPE PANEL ASSEMBLY - CTC (CONT.)

INDEX NO.	PART NO.	UNITS PER ASSY	DESCRIPTION
49	734 150 35	2	MICROSWITCH
50	102 862 00	2	SPACER, Switch (Attaching Parts)
51	710 106 11	4	SCREW, Rd hd mach No. 6-32 by 1 in.
52	715 406 10	4	WASHER, Spring lock No. 6
53	715 106 10	4	WASHER, Flat No. 6
54	733 405 10	1	STRIP, Terminal (Attaching Parts)
55	710 155 28	1	SCREW, Rd hd mach No. 4-40 by 1/4 in.
56	715 404 30	4	WASHER, Spring lock No. 4
57	501 941 00	1	SWITCH AND ARM ASSY
58	104 306 00	1	INSULATOR SHEET (Attaching Parts)
59	710 104 10	2	SCREW, Rd hd mach No. 4-40 by 7/8 in.
60	736 400 75	2	GROMMET
61	501 111 00	1	LAMP AND SOCKET ASSY
62	102 861 02	1	SPACER, Lamp socket (Attaching Parts)
63	710 104 09	1	SCREW, Rd hd mach No. 4-40 by 3/4 in.
64	715 404 30	1	WASHER, Spring lock No. 4
65	715 104 10	1	WASHER, Flat No. 4
66	745 012 00	1	PHOTOCELL
67	733 700 30	1	SOCKET, Photocell (Attaching Parts)
68	725 113 25	1	RING MOUNTING, Photocell
69	104 312 00	1	PLATE, Photocell mounting
70	104 313 00	1	PLATE, Connecting (Attaching Parts)
71	710 106 07	4	SCREW, Rd hd mach No. 6-32 by 1/2 in.
72	715 406 10	4	WASHER, Spring lock No. 6
73	104 311 00	1	MICROSWITCH, Modified
74	101 500 22	2	SPACER (Attaching Parts)
75	711 257 39	2	SCREW, Flat hex socket hd cap No. 6-32 by 1-1/2 in.
76	715 106 10	2	WASHER, Flat No. 6
77	715 406 10	2	WASHER, Spring lock No. 6
78	714 106 10	2	NUT, Plain hex No. 6-32
79	102 981 00	2	MOTOR, Modified (Attaching Parts)
80	711 715 10	8	SCREW, Hex hd mach No. 5/16-18 by 7/8 in.
81	715 115 10	8	WASHER, Flat 5/16 in.
82	715 415 10	8	WASHER, Spring lock 5/16 in.
83	714 115 10	8	NUT, Plain hex No. 5/16-18
	108 959 00	REF	ROTOR ASSY, Motor
84	733 421 04	2	STRIP, Marking
85	733 402 04	2	STRIP, Terminal
86	103 667 03	2	SPACER
87	724 002 05	2	CLAMP, Cable (Attaching Parts)
88	710 106 10	2	SCREW, Rd hd mach No. 6-32 by 7/8 in.
89	710 106 08	6	SCREW, Rd hd mach No. 6-32 by 5/8 in.
90	715 406 10	8	WASHER, Spring lock No. 6
91	714 106 10	8	NUT, Plain hex No. 6-32
92	100 346 02	1	BRACKET, Motor mounting
93	100 346 01	1	BRACKET, Motor mounting
94	104 398 00	1	BRACKET, Motor mounting
95	101 005 01	1	BRACKET, Motor mounting (Attaching Parts)
96	711 264 32	8	SCREW, Flat hex socket hd mach No. 1/4-20 by 1/2 in.
97	715 414 10	8	WASHER, Spring lock 1/4 in.
98	714 113 10	8	NUT, Plain hex No. 1/4-20
99	501 763 01	1	BEARING AND PANEL SUBASSY, Oilite

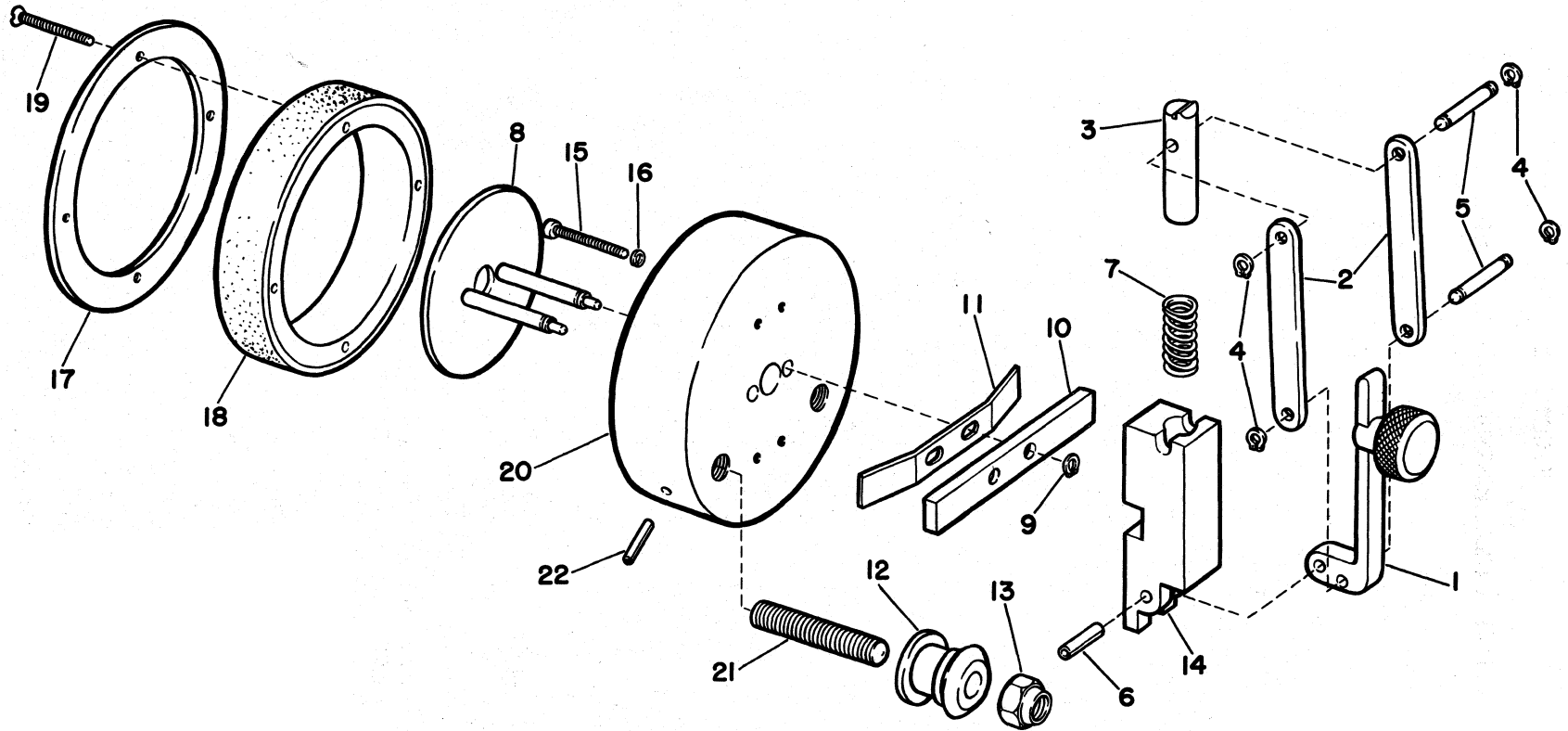


FIGURE 6A 501 506 00
LEFT REEL MOUNT ASSEMBLY-EXPLODED VIEW

FIGURE 6A

LEFT REEL MOUNT ASSEMBLY UNISERVO I

INDEX NO.	PART NO.	UNITS PER ASSY	DESCRIPTION
	501 506 00	REF	MOUNT ASSY, Left reel (see item 1 figure 5A)
1	501 261 00	1	CRANK ASSY, Supply reel
	103 051 00	1	CRANK
	103 052 00	1	KNOB, Crank
2	100 846 00	2	LINK
3	100 851 00	1	BLOCK, Sliding (Attaching Parts)
4	721 010 10	4	RING, Retaining
5	100 854 00	2	PIN, Crank
6	719 102 90	1	PIN, Roll
7	100 450 03	1	SPRING
8	500 798 00	1	DISC AND PIN ASSY (Attaching Parts)
9	721 001 20	2	RING, Retaining
	100 848 00	1	DISC, Switch actuator
	100 849 00	2	PIN
10	100 845 00	1	CROSS BAR
11	100 847 00	1	SPRING
12	103 343 00	2	POST (Attaching Parts)
13	714 920 18	2	NUT, Stop
14	100 870 00	1	GUIDE, Block (Attaching Parts)
15	711 404 09	4	SCREW, Hex socket hd cap, No. 4-40 by 3/4 in.
16	715 404 10	4	WASHER, Spring lock No. 4
17	100 793 00	1	RING, Guide
18	500 657 00	1	RING ASSY, Brake (Attaching Parts)
19	711 257 35	4	SCREW, F1 hex socket hd cap, No. 6-32 by 7/8 in.
	100 792 00	1	RING, Brake
	102 000 09	1	GASKET
	501 498 02	1	HUB Reel mount subassembly
20	103 340 02	1	HUB, Reel mount
21	103 342 00	2	STUD
22	719 102 87	2	PIN, Roll

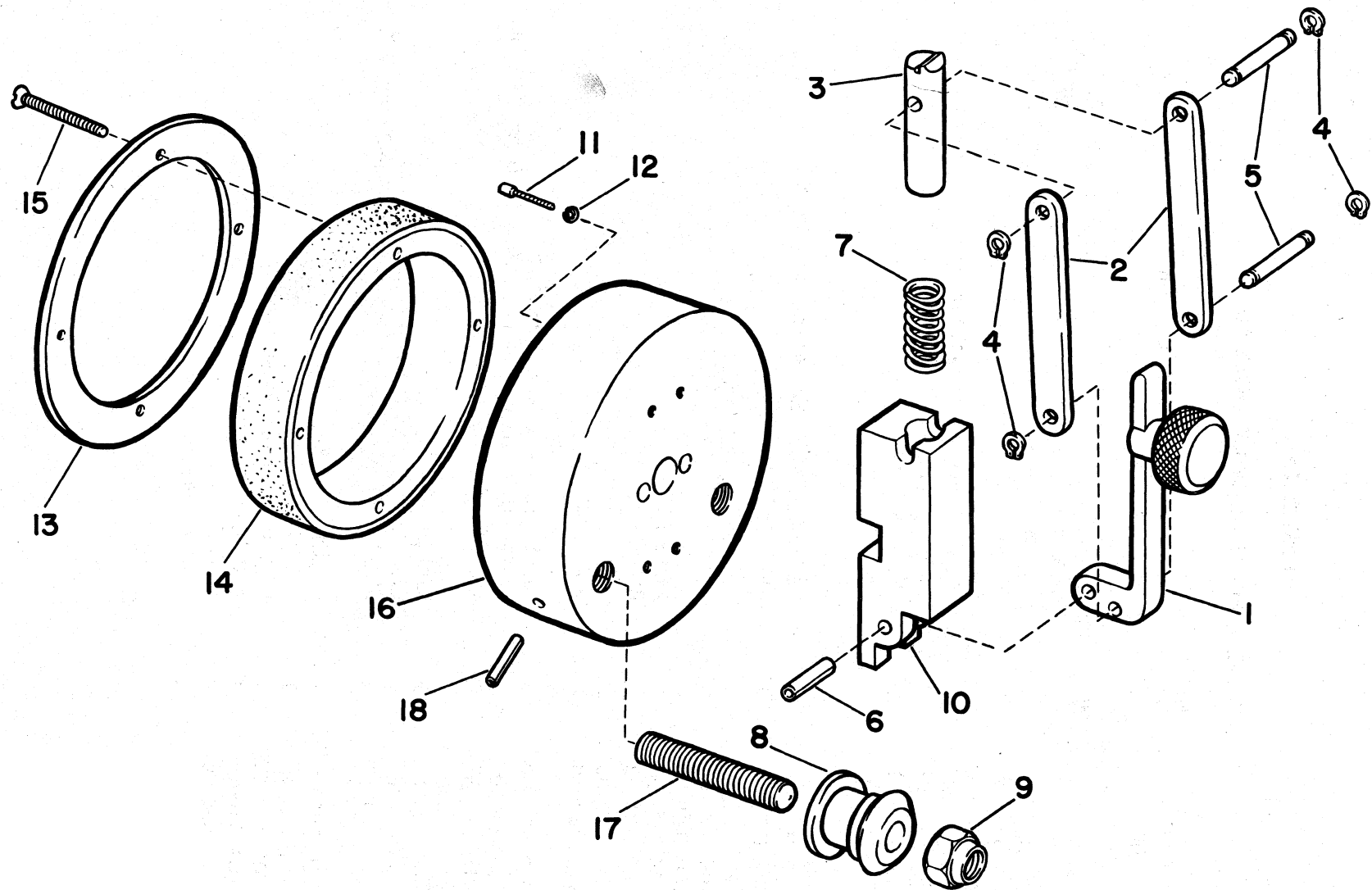


FIGURE 6B 50194000
REEL MOUNT ASSEMBLY-EXPLODED VIEW

FIGURE 6B

LEFT REEL MOUNT ASSEMBLY - HSP-CTC

INDEX NO.	PART NO.	UNITS PER ASSY	DESCRIPTION
	501 940 00	REF	MOUNT ASSY, Supply (see item 1, figure 5B)
1	501 261 00	1	CRANK ASSY, Supply reel
	103 051 00	1	CRANK
	103 052 00	1	KNOB, Crank
2	100 846 00	2	LINK
3	100 851 00	1	BLOCK, Sliding (Attaching Parts)
4	721 010 10	4	RING, Retaining
5	100 854 00	2	PIN, Crank
6	719 102 00	1	PIN, Roll
7	100 450 03	1	SPRING
8	103 343 00	2	POST (Attaching Parts)
9	714 920 18	2	NUT, Stop
10	100 870 00	1	GUIDE, Block (Attaching Parts)
11	711 404 09	4	SCREW, Hex socket hd cap No. 4-40 by 3/4 in.
12	715 404 10	4	WASHER, Spring lock No. 4
13	100 793 00	1	RING, Guide
14	500 657 00	1	RING ASSY, Brake (Attaching Parts)
15	711 257 35	4	SCREW, Flat hex socket hd cap No. 6-32 by 7/8 in.
	100 792 00	1	RING, Brake
	102 000 09	1	GASKET
	501 498 02	1	HUB, Reel mount subassembly
16	103 340 02	1	HUB, Reel mount
17	103 342 00	2	STUD
18	719 102 87	2	PIN, Roll

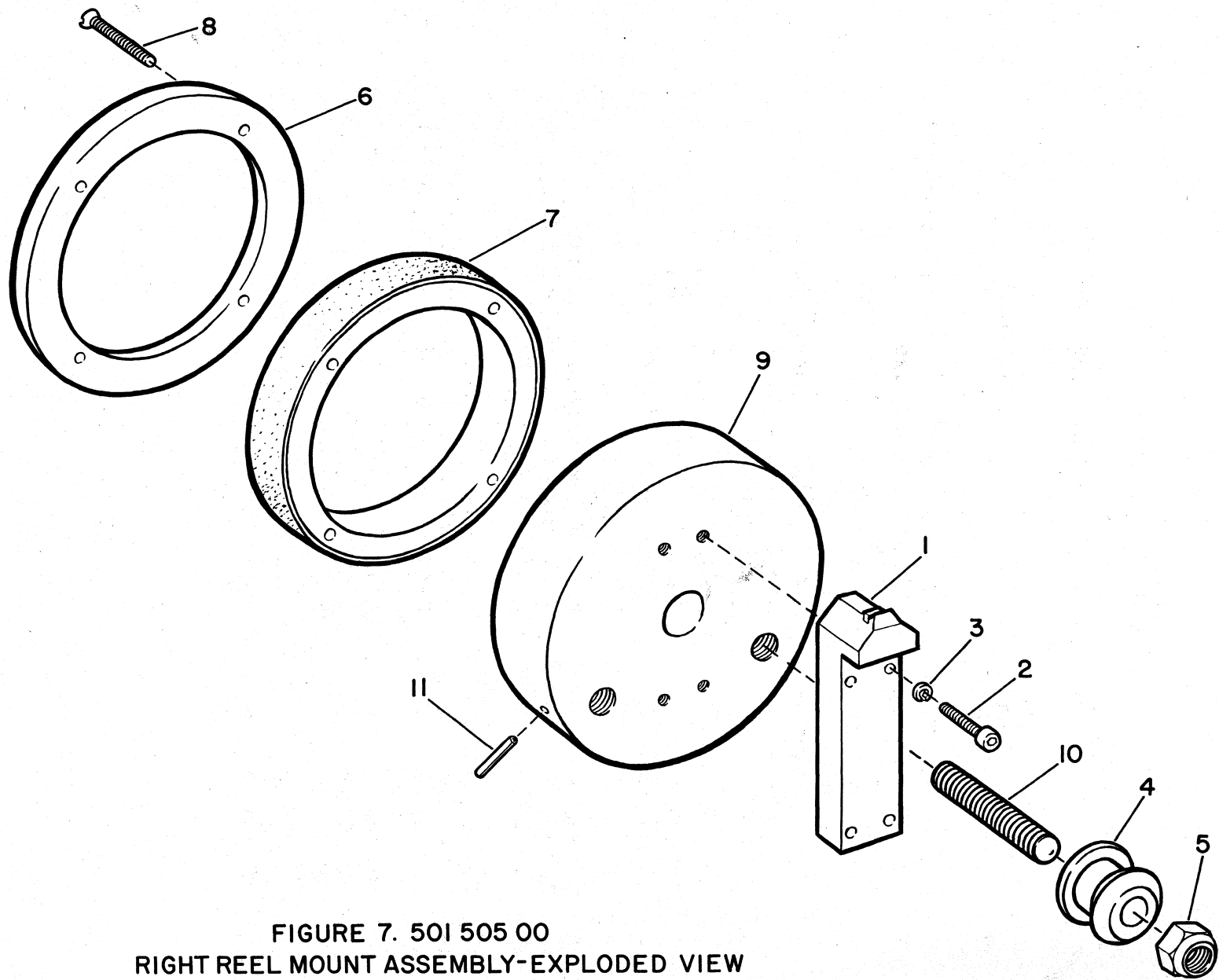


FIGURE 7. 501 505 00
RIGHT REEL MOUNT ASSEMBLY-EXPLODED VIEW

FIGURE 7

RIGHT REEL MOUNT ASSEMBLY (HSP-CTC - I)

INDEX NO.	PART NO.	UNITS PER ASSY	DESCRIPTION
	501 505 00	REF	MOUNT ASSY, Take up reel (see figure 5)
1	101 072 00	1	RETAINER, Reel (Attaching Parts)
2	711 455 33	4	SCREW, Hex socket hd cap No. 4-40 by 5/8 in.
3	715 404 30	4	WASHER, Spring lock No. 4
4	103 343 00	2	POST (Attaching Parts)
5	714 920 18	2	NUT, Stop
6	100 793 00	1	RING, Guide
7	500 657 00	1	RING ASSY, Brake (Attaching Parts)
8	711 257 35	4	SCREW, Flat hex socket hd mach No. 6-32 by 7/8 in.
	100 792 00	1	RING, Brake
	102 000 09	1	GASKET
	501 498 01	1	HUB, Reel mount subassembly
9	103 340 01	1	HUB, Reel mount
10	103 342 00	2	STUD
11	719 102 87	2	PIN, Roll

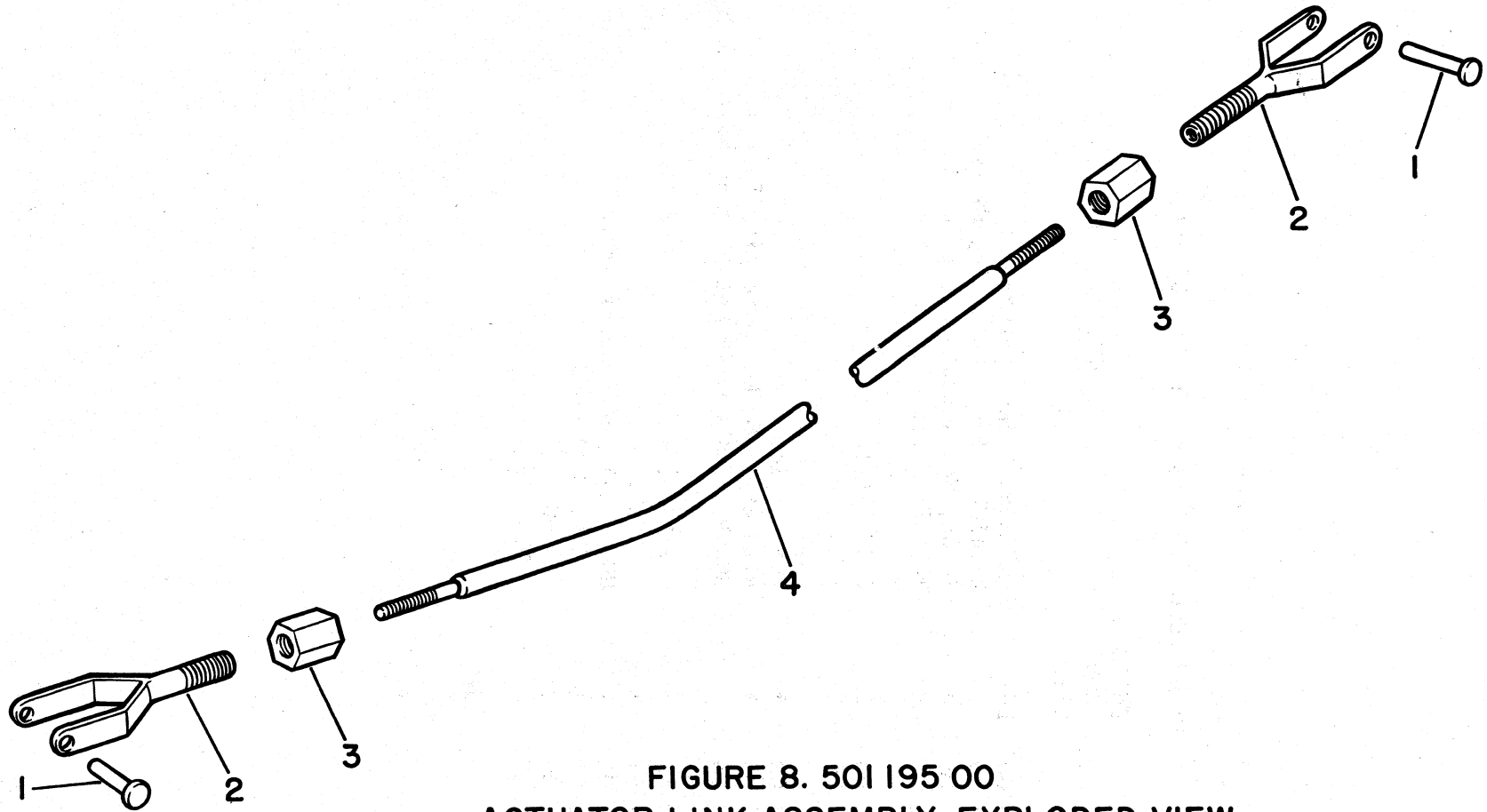


FIGURE 8. 501 195 00
ACTUATOR LINK ASSEMBLY-EXPLODED VIEW

FIGURE 8

ACTUATOR LINK ASSEMBLY -(CTC -HSP -I)

INDEX NO.	PART NO.	UNITS PER ASSY	DESCRIPTION
1	501 195 00 724 004 20	REF 2	LINK ASSY, Actuator (see figure 5)(Attaching Parts) PINK, Clevis
2	724 006 43	2	CLIP (Attaching Parts)
3	714 910 75	2	LOCKNUT
4	102 995 00	1	LINK, Actuator

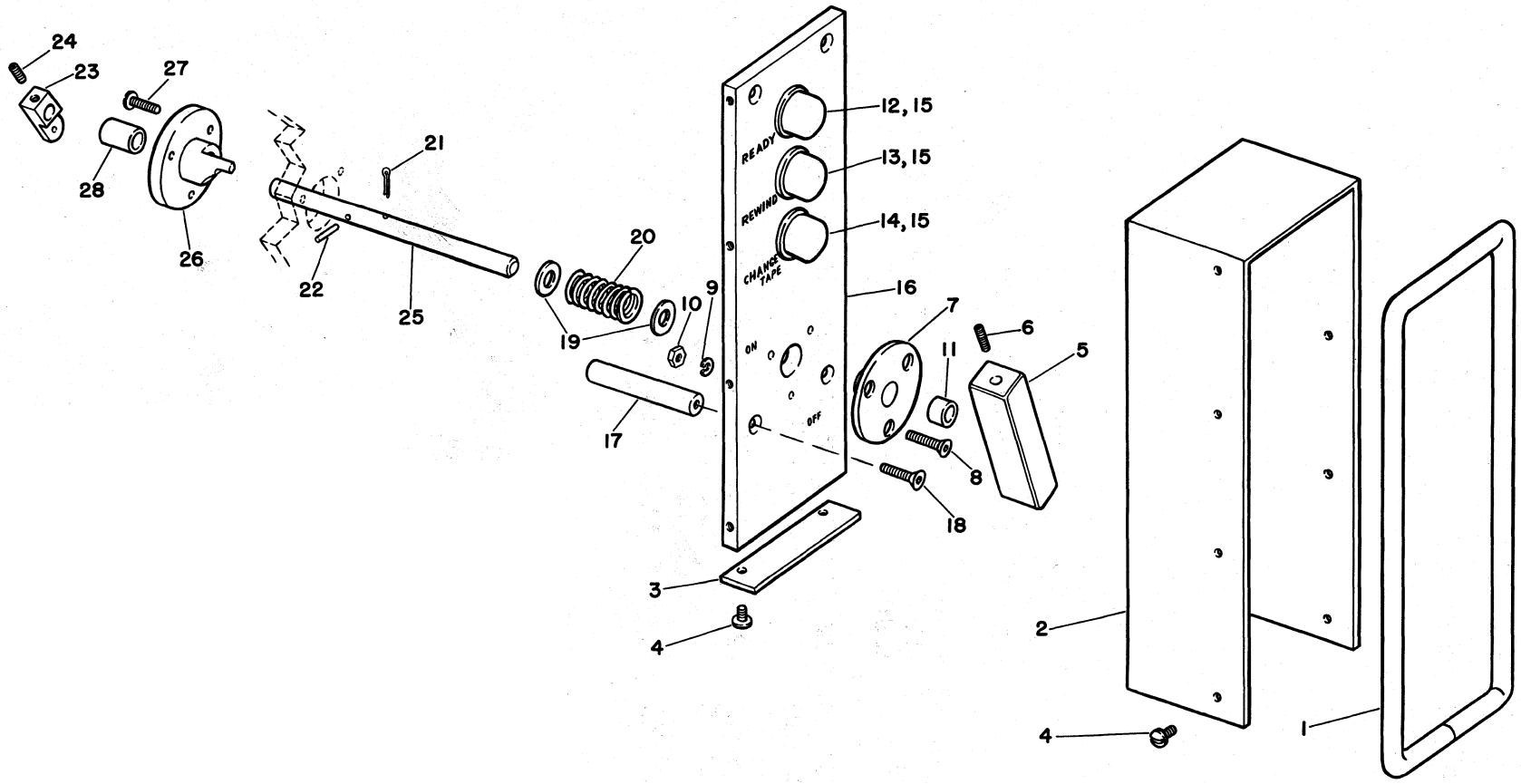


FIGURE 9A 500 084 00
CONTROL PANEL ASSEMBLY - EXPLODED VIEW

FIGURE 9A

CONTROL PANEL ASSEMBLY UNISERVO I

INDEX NO.	PART NO.	UNITS PER ASSY	DESCRIPTION
	500 084 00	REF	PANEL ASSY, Control (see item 10, figure 5A)
1	102 000 64	1	GASKET, 20-3/4 in.
2	101 937 00	1	PLATE, Cover
3	100 430 00	1	PLATE, End (Attaching Parts)
4	710 555 28	10	SCREW, Binding hd mach, No. 4-40 by 1/4 in.
5	100 432 00	1	KNOB (Attaching Parts)
6	713 306 03	1	SET SCREW, Cone pt hex socket hdl, No. 6-32 by 1/4 in.
7	100 431 00	1	HOUSING, Bearing (Attaching Parts)
8	711 257 57	3	SCREW, Fl hex socket hd mach, No. 6-32 by 1/2 in.
9	715 406 10	3	WASHER, Spring lock, No. 6
10	714 106 10	3	NUT, Plain hex, No. 6-32
11	721 004 20	1	BEARING
12	733 651 52	1	LIGHT, Pilot
13	733 651 53	1	LIGHT, Pilot
14	733 651 51	1	LIGHT, Pilot
15	744 014 00	3	LAMP, Miniature bayonet base
16	101 570 00	1	PANEL, Engraved control
17	103 666 08	4	SPACER (Attaching Parts)
18	711 259 32	4	SCREW, Fl hex socket hd mach, No. 8-32 by 1/2 in.
19	715 114 10	2	WASHER, Flat, 1/4 in.
20	100 450 01	1	SPRING, Compression
21	719 101 10	1	PIN, Cotter, 1/16 dia by 3/8 in.
22	719 100 13	1	PIN, Hardened steel dowel, 1/8 dia by 1/2 in.
23	100 423 00	1	BLOCK, Link (Attaching Parts)
24	713 306 03	1	SETSCREW, Cone pt hex socket hdl, No. 6-32 by 1/4 in.
25	100 435 00	1	SHAFT, Control panel
26	100 433 00	1	CAM (Attaching Parts)
27	710 506 07	3	SCREW, Bind hd mach, No. 6-32 by 1/2 in.
28	721 004 20	1	BEARING

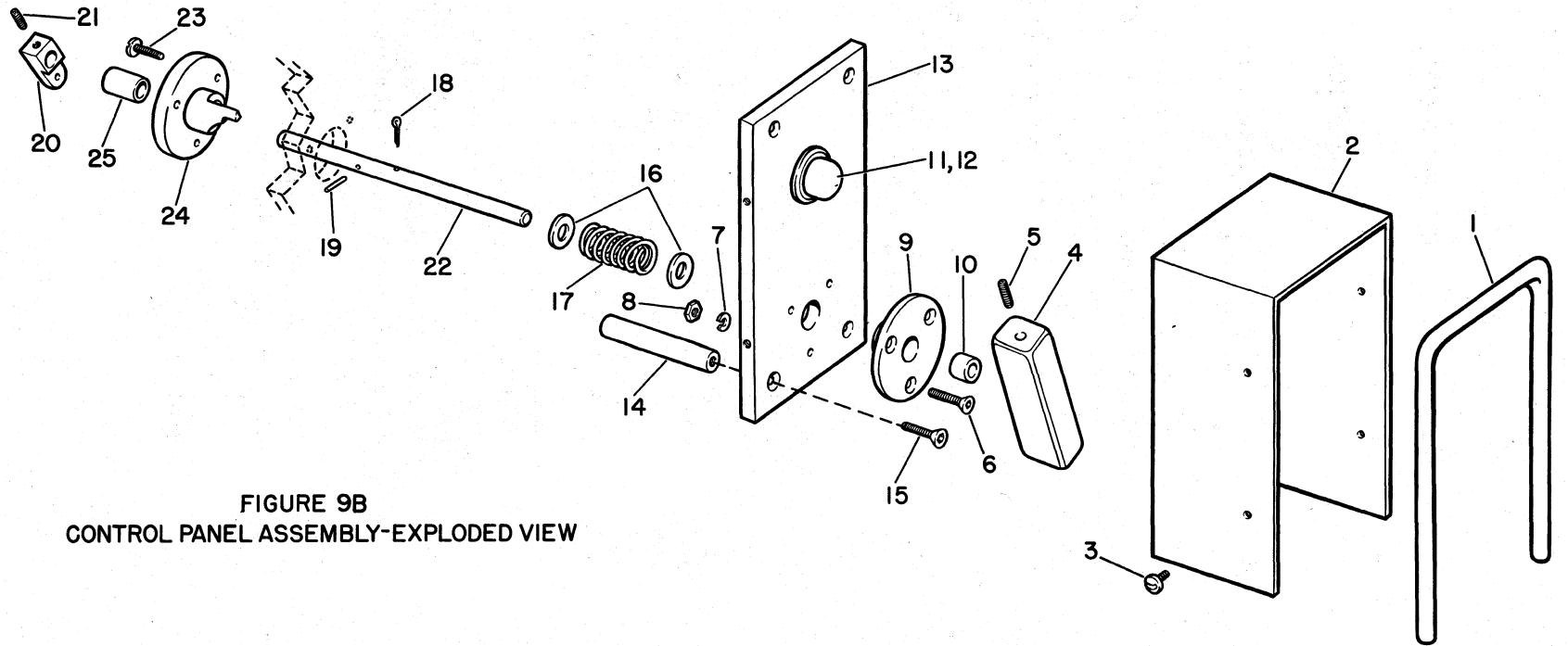
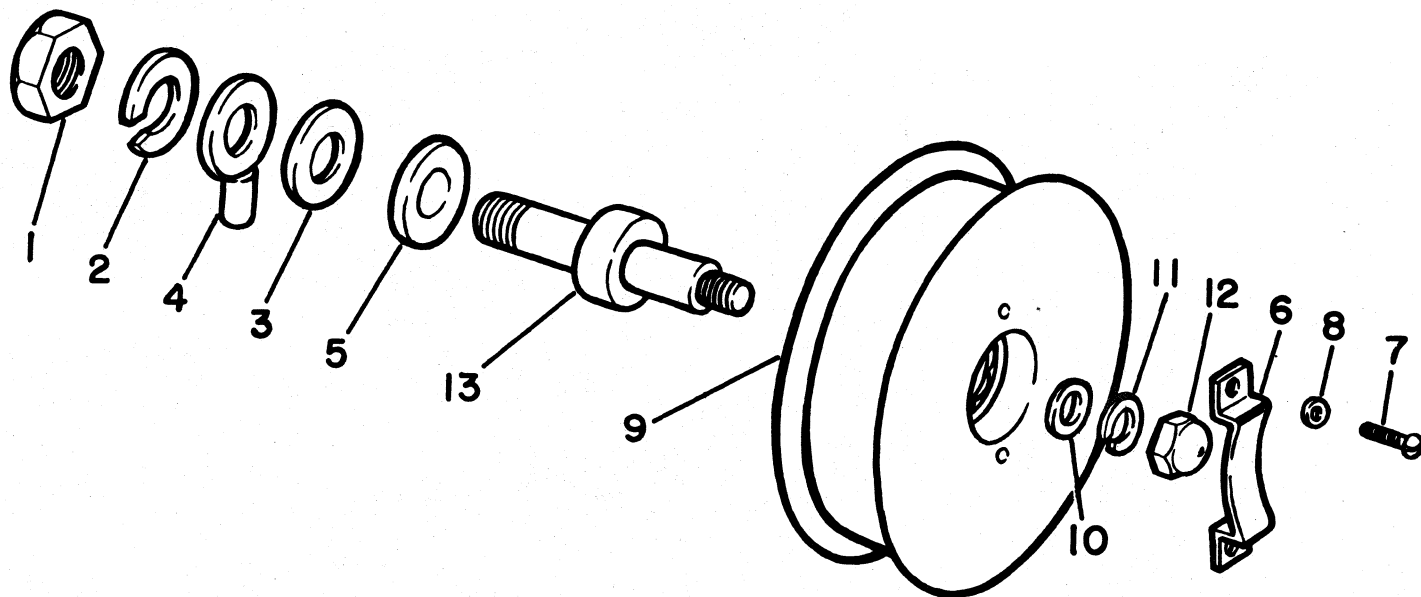


FIGURE 9B
CONTROL PANEL ASSEMBLY-EXPLODED VIEW

FIGURE 9B

CONTROL PANEL ASSEMBLY -(HSP - CTC)

INDEX NO.	PART NO.	UNITS PER ASSY	DESCRIPTION
	No Number	REF	PANEL ASSY, Control (see item 10, figure 6B)
1	102 793 04	1	GASKET, 12 in.
2	104 310 00	1	PLATE, Cover (Attaching Parts)
3	710 555 28	4	SCREW, Binding hd mach No. 4-40 by 1/4 in.
	715 404 30	4	WASHER, Spring lock No. 4
4	104 308 00	1	KNOB (Attaching Parts)
5	713 306 03	1	SETSCREW, Cone pt hex socket headless No. 6-32 by 1/4 in.
	501 938 00	1	BEARING AND HOUSING SUBASSY, Oilite (Attaching Parts)
6	711 257 57	3	SCREW, Flat hex socket hd mach No. 6-32 by 1/2 in.
7	715 406 10	3	WASHER, Spring lock No. 6
8	714 106 10	3	NUT, Plain hex No. 6-32
9	100 431 00	1	HOUSING
10	721 004 20	1	BEARING
11	733 651 52	1	LIGHT, Pilot
12	744 004 00	1	LAMP, Miniature bayonet base
13	104 307 00	1	PANEL, Control
14	100 100 36	4	SPACER (Attaching Parts)
15	711 259 32	4	SCREW, Flat hex socket hd mach No. 8-32 by 1/2 in.
16	715 114 00	2	WASHER, Flat 1/4 in.
17	100 450 01	1	SPRING, Compression
18	719 101 10	1	PIN, Cotter 1/16 dia by 3/8 in.
19	719 100 13	1	PIN, Hardened steel dowel, 1/8 dia by 1/2 in.
20	100 423 00	1	BLOCK, Link (Attaching Parts)
21	713 306 03	1	SETSCREW, Cone pt hex socket headless No. 6-32 by 1/4 in.
22	100 435 00	1	SHAFT, Control panel
	501 939 00	1	BEARING AND CAM SUBASSY (Attaching Parts)
23	710 506 07	3	SCREW, Binding hd mach No. 6-32 by 1/2 in.
24	100 433 00	1	CAM
25	721 004 00	1	BEARING



**FIGURE 10. 500 107 00 AND 500 108 00
LARGE TAPE IDLER ASSEMBLIES-EXPLODED VIEW**

FIGURE 10

LARGE IDLER ASSEMBLIES (CTC-HSP-I)

INDEX NO.	PART NO.	UNITS PER ASSY	DESCRIPTION
	501 107 00	REF A	IDLER ASSY, Large (see figure 5) (Uniservo I Serial 45)
	501 108 00	REF B	IDLER ASSY, Large tape (see figure 5) (Uniservo I Serial #1-44) (Attaching Parts)
1	714 114 10	1	NUT, Hex No. 1/4-20
2	715 414 10	1	WASHER, Spring lock 1/4 in.
3	715 114 10	1	WASHER, Flat 1/4 in.
4	733 300 43	1 A	LUG, 0.25 amp
5	102 854 01	1 A	BUSHING, Insulating
6	102 855 01	1	SPRING, Contact (Attaching Parts)
7	710 102 03	2	SCREW, Rd hd mach No. 2-56 by 1/4 in.
8	715 402 10	2	WASHER, Spring lock No. 2
9	502 369 00	1	IDLER AND BEARING ASSY (Attaching Parts)
10	715 108 10	1	WASHER, Flat No. 8
11	715 408 10	1	WASHER, Spring lock No. 8
12	714 910 29	1	NUT, Cap No. 8-32
	*102 857 00	NP	IDLER, Large
	*721 001 11	NP	BEARING
13	101 911 00	1	STUD, Idler

* Press fit required. Order next higher assembly.

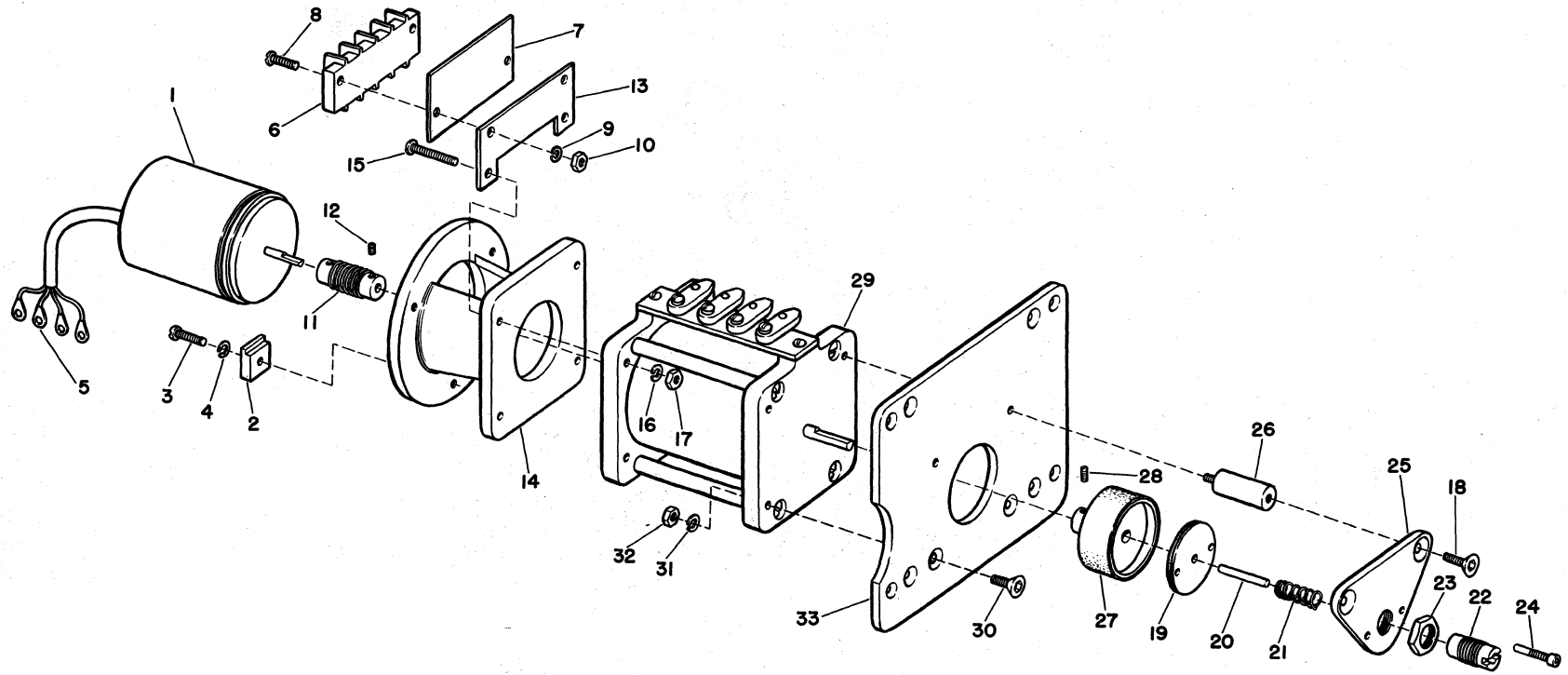


FIGURE 11A 501 520 00
CENTER DRIVE ASSEMBLY-EXPLODED VIEW

FIGURE 11A

CENTERDRIVE ASSEMBLY-UNISERVO I

INDEX NO.	PART NO.	UNITS PER ASSY	DESCRIPTION
	501 520 00		DRIVE ASSY, Center (see item 14, figure 5A)
1	737 105 50	1	GENERATOR, Induction (Attaching Parts)
2	103 374 00	3	CLAMP
3	711 406 05	3	SCREW, Hex socket hd cap, No. 6-32 x 3/8 in.
4	715 406 10	3	WASHER, Spring lock, No. 6
5	733 300 16	4	LUG, Shakeproof solder
6	733 402 04	1	STRIP, Barrier
7	733 421 04	1	STRIP, Marker (Attaching Parts)
8	710 106 07	2	SCREW, Rd hd mach, No. 6-32 x 1/2 in.
9	715 406 10	2	WASHER, Spring lock, No. 6
10	714 106 10	2	NUT, Plain hex, No. 6-32
11	501 519 00	1	COUPLING, Flexible (Attaching Parts)
12	719 204 01	2	SETSCREW, Cup pt hex socket hdls, No. 4-40 x 1/8 in.
13	100 967 00	1	BRACKET, Tachometer terminal
14	103 375 00	1	ADAPTER SLEEVE, Motor tachometer (Attaching Parts)
15	710 111 10	4	SCREW, Rd hd mach, No. 10-32 x 7/8 in.
16	715 410 10	4	WASHER, Spring lock No. 10
17	714 111 10	4	NUT, Plain hex. No. 10-32
	500 695 00	1	BRAKE ASSY, Friction (Attaching Parts)
18	711 262 57	2	SCREW, Fl hex socket hd mach, No. 10-32 x 1/2 in.
19	500 690 00	1	PLATE ASSY, Pressure
20	102 182 00	1	PIN, Spring guide
21	100 450 08	1	SPRING
22	102 181 00	1	RETAINER, Spring (Attaching Parts)
23	714 910 15	1	NUT, Pot, No. 3/8-32
24	102 505 00	2	GUIDE, Pin
25	102 177 00	1	PLATE
26	102 183 00	2	PLATE SUPPORT, Stud
27	500 772 00	1	WHEEL ASSY, Drive (Attaching Parts)
28	713 204 01	1	SETSCREW, Cup pt hex socket hdls, No. 4-40 x 1/8 in.
	102 224 00	1	WHEEL, Drive
	102 000 15	1	GASKET, Standard
29	102 244 00	1	MOTOR (Attaching Parts)
30	711 262 33	2	SCREW, Fl hex socket hd mach, No. 10-32 x 5/8 in.
31	715 410 10	4	WASHER, Spring lock, No. 10
32	714 111 10	4	NUT, Plain hex. No. 10-32
33	102 959 00	1	PLATE, Center drive mounting

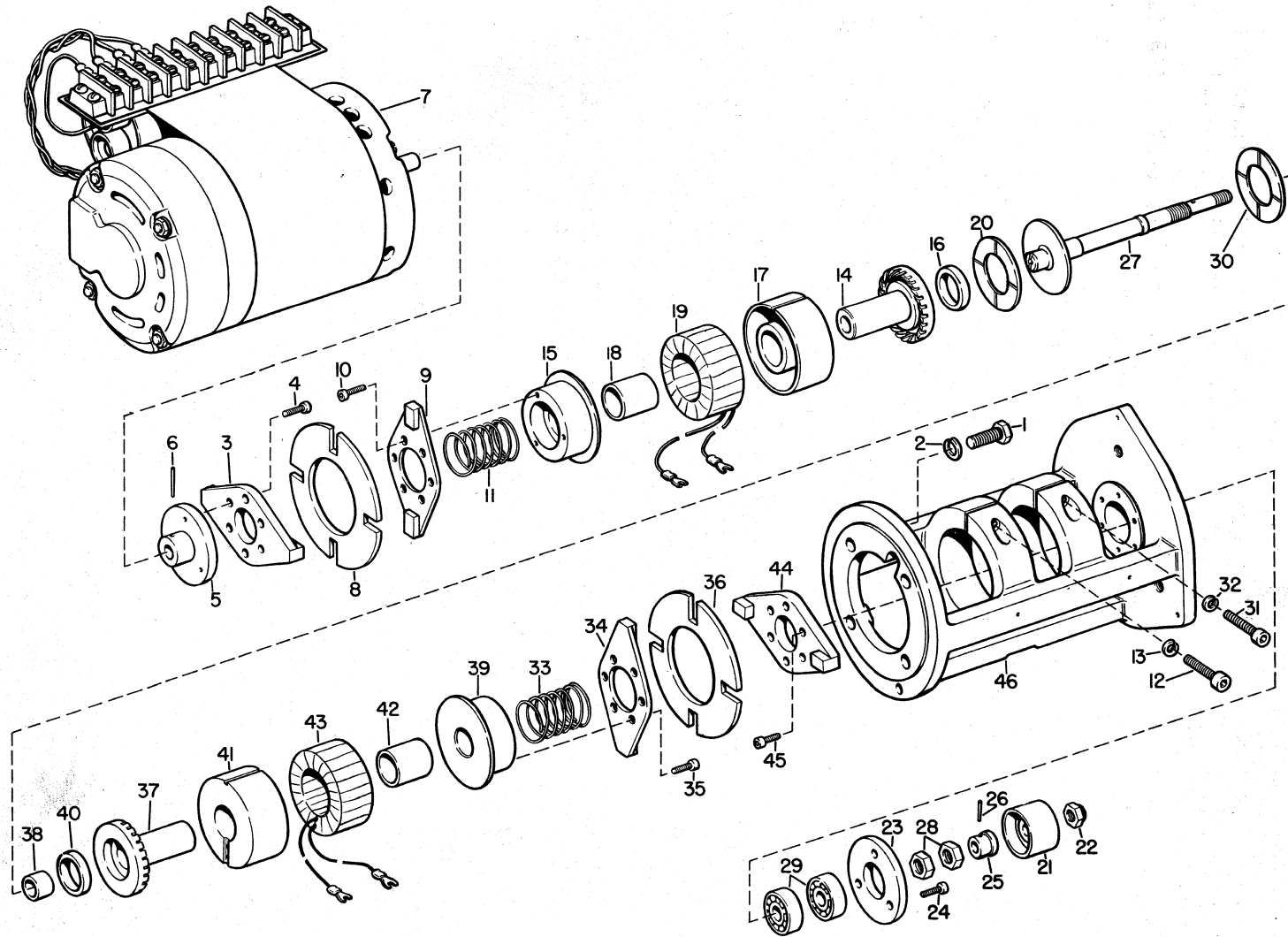


FIGURE 11B 502 627 00 UNIDIRECTIONAL CLUTCH ASSEMBLY
EXPLODED VIEW

FIGURE 11B

UNDIRECTIONAL CLUTCH ASSEMBLY - HSP

INDEX NO.	PART NO.	UNITS PER ASSY	DESCRIPTION
	502 627 00	REF	CLUTCH ASSY, Unidirectional
	*No Number	NP	MOTOR AND COUPLING ASSY (Attaching Parts)
1	711 713 08	4	SCREW, Hex socket hd cap 1/4-20 by 5/8 in.
2	715 414 10	4	WASHER, Spring lock 1/4 in.
3	105 119 00	1	COUPLING (Attaching Parts)
4	711 457 56	3	SCREW, Hex socket hd cap No. 6-32 by 7/16 in.
	502 621 00	1	MOTOR AND COUPLING ASSY
5	108 758 00	1	COUPLING (Attaching Parts)
6	719 105 70	1	PIN, Taper 5/0 by 5/8 in.
7	105 631 00	1	MOTOR
8	105 252 00	1	COUPLING, Center
9	105 118 00	1	COUPLING (Attaching Parts)
10	711 457 56	3	SCREW, Hex socket hd cap No. 6-32 by 7/16 in.
11	105 605 00	1	SPRING, Coupling
	*No Number	NP	MAGNET, BEARING AND THIMBLE ASSY (Attaching Parts)
12	711 411 11	1	SCREW, Hex socket hd cap No. 10-32 by 1 in.
13	715 410 10	1	WASHER, Spring lock No. 10
	503 515 00	1	THIMBLE ASSY
14	106 895 00	1	THIMBLE
15	106 894 00	1	ARMATURE
16	108 735 04	1	RING, Thimble
	503 242 02	1	MAGNET & BEARING ASSY
	502 615 00	1	MAGNET AND BEARING SUB ASSY
17	108 766 00	1	MAGNET
18	108 747 00	1	BEARING, Modified magnet
19	105 772 02	1	COIL, Magnet
20	108 760 02	1	FACING, Clutch
21	501 944 01	1	CAPSTAN ASSY (Attaching Parts)
22	714 937 62	1	NUT, Elastic stop
23	108 754 00	1	RING, Frame retainer (Attaching Parts)
24	711 457 54	3	SCREW, Hex socket hd cap No. 6-32 by 5/16 in.
	502 620 00	1	SHAFT ASSY, Output
25	108 761 00	1	BUSHING, Capstan (Attaching Parts)
26	719 106 11	1	PIN, Taper 5/0 by 7/16 in.
27	108 772 00	1	SHAFT, Output (Attaching Parts)
28	108 756 00	2	NUT, Bearing retaining
29	721 020 22	2	BEARING, Ball
30	108 760 02	1	FACING, Clutch
	*No Number	NP	MAGNET, SPRING, THIMBLE & COUPLING ASSY (Attaching Parts)
31	711 411 11	1	SCREW, Hex socket hd cap No. 10-32 by 1 in.
32	715 410 10	1	WASHER, Spring lock No. 10
33	105 605 00	1	SPRING, Coupling
34	105 118 00	1	COUPLING (Attaching Parts)
35	711 457 56	3	SCREW, Hex socket hd cap No. 6-32 by 7/16 in.
36	105 252 00	1	COUPLING, Center
	502 608 00	1	THIMBLE ASSY
	502 607 00	1	THIMBLE AND BEARING ASSY
37	108 731 00	1	THIMBLE
38	721 020 52	1	BEARING, Oilite
39	106 894 00	1	ARMATURE
40	108 735 04	1	RING, Thimble
	503 242 01	1	MAGNET AND BEARING ASSY
	502 615 00	1	MAGNET AND BEARING SUB ASSY
41	108 766 00	1	MAGNET
42	108 747 00	1	BEARING, Modified magnet
43	105 772 01	1	COIL, Magnet
44	105 119 00	1	COUPLING (Attaching Parts)
45	711 457 56	3	SCREW, Hex socket hd cap No. 6-32 by 7/16 in.
46	108 788 00	1	FRAME

*Non procurable separately. Listed for breakdown purposes only.

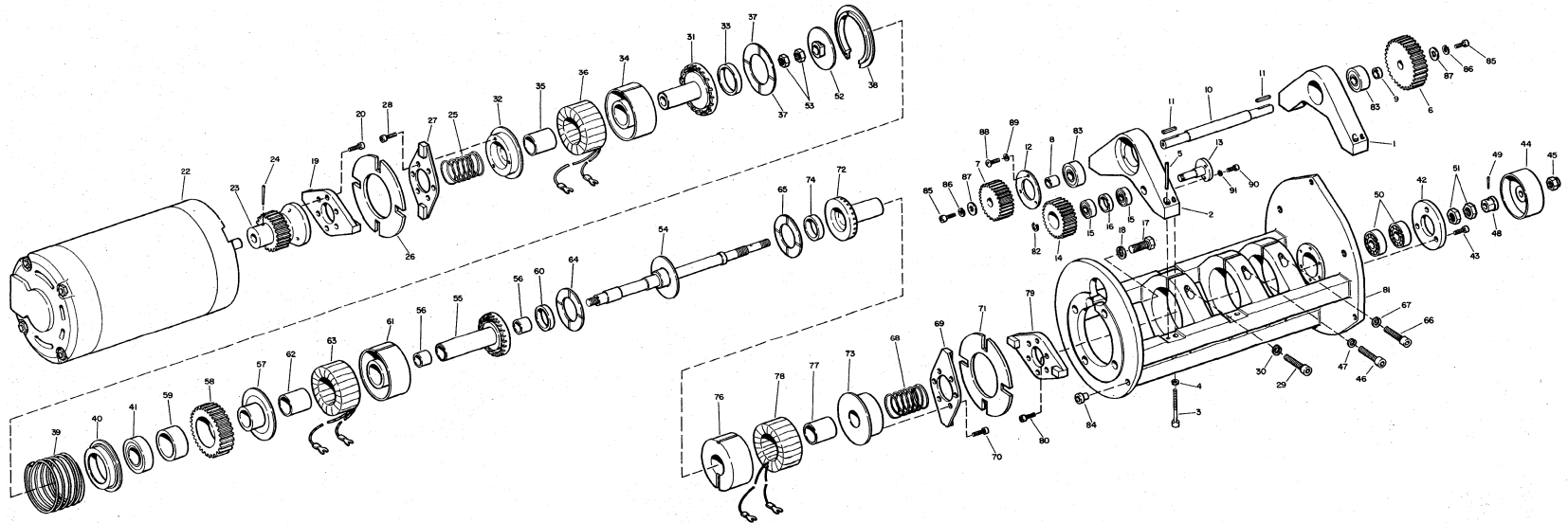


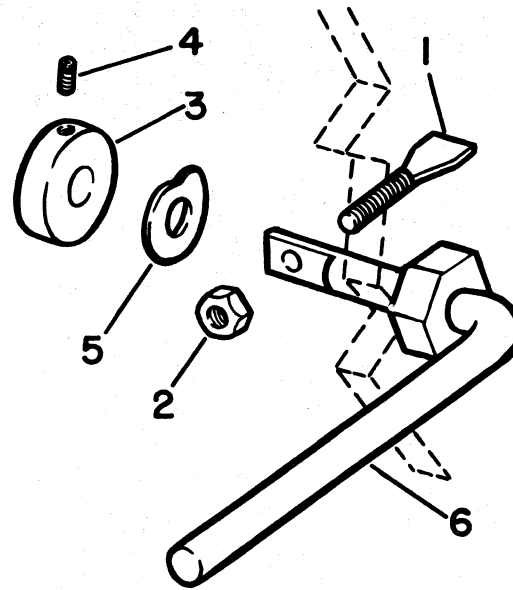
FIGURE 11C. 502 631 00 BIDIRECTIONAL CLUTCH ASSEMBLY-EXPLODED VIEW

FIGURE 11C

BIDIRECTIONAL CLUTCH ASSEMBLY - CTC

INDEX NO.	PART NO.	UNITS PER ASSY	DESCRIPTION	INDEX NO.	PART NO.	UNITS PER ASSY	DESCRIPTION
	502 631 00	REF	CLUTCH ASSY, Bidirectional card to tape uniservo (see item 14, figure 5C)		*No Number	NP	MAGNET, CUP, GEAR AND OUTPUT SHAFT ASSY (Attaching Parts)
	502 626 00	1	FRAME AND SADDLE ASSY	46	719 106 11	REF	PIN, Taper 5/0 by 7/16 in. (see item 49, figure 11)
	108 787 00	REF	FRAME (see item 81, figure 11C)	47	711 411 11	1	SCREW, Hex socket hd cap No. 10-32 by 1 in.
1	108 780 00	1	SADDLE, Front		715 410 10	1	WASHER, Spring lock No. 10
2	108 781 00	1	SADDLE, Rear (Attaching Parts)		108 786 00	REF	NUT, Bearing retaining (see item 51, figure 11)
3	711 409 10	4	SCREW, Hex socket hd cap No. 8-32 by 1 1/4 in.	48	502 625 00	1	SHAFT ASSY, Output
4	715 409 10	4	WASHER, Spring lock No. 8		108 761 00	1	BUSHING, Capstan (Attaching Parts)
5	719 102 80	4	PIN, Roll 1/8 in. dia by 1 in. lg	49	719 106 11	1	PIN, Taper 5/0 by 7/16 in.
6	108 770 00	1	GEAR, Counter shaft	50	721 020 22	2	BEARING, Ball (Attaching Parts)
7	108 769 00	1	PINION, Counter shaft	51	108 756 00	2	NUT, Bearing retaining
8	108 753 01	1	SPACER, Counter shaft	52	108 778 00	1	DISC, Tapered (Attaching Parts)
9	108 753 02	1	SPACER, Counter shaft	53	No Number	2	NUT, Hex disc retaining 1/4-28
10	108 783 00	1	SHAFT, Counter		502 625 00	1	SHAFT SUBASSY, Output
11	450 380 41	2	KEY, Steel 1/8 in. by 1/8 in. by 7/16 in. lg.	54	108 784 00	1	SHAFT, Output
12	108 755 00	1	RING, Retainer		503 522 00	1	THIMBLE ASSY, Reverse
13	108 750 00	1	SHAFT, Idler		503 520 00	1	THIMBLE SUBASSY, Reverse
14	502 618 00	1	GEAR ASSY, Idler	55	106 911 00	1	THIMBLE, Reverse
15	721 001 00	2	GEAR, Idler	56	721 020 42	2	BEARING, Oilite
16	108 751 00	1	BEARING		503 521 00	1	ARMATURE AND GEAR ASSY
	*No Number	NP	SPACER	57	106 912 00	1	ARMATURE, Reverse drive
			MOTOR, CAPACITOR, AND DRIVE ASSY (Attaching Parts)		503 610 00	1	PINION ASSY
17	711 713 08	4	SCREW, Hex socket hd cap 1/4-20 by 5/8 in.	58	108 736 00	1	PINION, Blank gear
18	715 414 10	4	WASHER, Spring lock 1/4 in.	59	108 737 00	1	SLEEVE, Pinion
19	105 119 00	1	COUPLING (Attaching Parts)	60	108 735 04	1	RING, Thimble
20	711 457 56	3	SCREW, Hex socket hd cap No. 6-32 by 7/16 in.		503 242 03	1	MAGNET AND BEARING ASSY
21	502 619 00	1	MOTOR AND GEAR ASSY	61	108 766 00	1	MAGNET AND BEARING SUBASSY
22	108 785 00	1	MOTOR	62	108 747 00	1	MAGNET
23	108 768 00	1	GEAR, Motor (Attaching Parts)	63	105 772 03	1	BEARING, Modified magnet
24	719 105 55	1	PIN, Taper 5/10 by 9/16 in. lg	64	108 760 02	1	COIL, Magnet
25	105 604 00	1	SPRING, Coupling	65	108 760 02	1	FACING, Clutch
26	105 252 00	1	COUPLING, Center		*No Number	NP	MAGNET, SPRING THIMBLE AND COUPLING ASSY (Attaching Parts)
27	105 118 00	1	COUPLING (Attaching Parts)	66	711 411 11	1	SCREW, Hex socket hd cap No. 10-32 by 1 in.
28	711 457 56	3	SCREW, Hex socket hd cap No. 6-32 by 7/16 in.	67	715 410 10	1	WASHER, Spring lock No. 10
	*No Number	NP	MAGNET, BEARING AND THIMBLE ASSY (Attaching Parts)	68	105 604 00	1	SPRING, Coupling
29	711 411 11	1	SCREW, Hex socket hd cap No. 10-32 by 1 in.	69	105 118 00	1	COUPLING (Attaching Parts)
30	715 410 10	1	WASHER, Spring lock No. 10	70	711 457 56	3	SCREW, Hex socket hd cap No. 6-32 by 7/16 in.
	502 606 00	1	THIMBLE AND ARMATURE ASSY	71	105 252 00	1	COUPLING, Center
31	108 733 00	1	THIMBLE		503 515 00	1	THIMBLE ASSY
32	108 734 00	1	ARMATURE, Short	72	106 895 00	1	THIMBLE
33	108 735 04	1	RING, Thimble	73	106 894 00	1	ARMATURE
	503 242 02	1	MAGNET AND BEARING ASSY	74	108 735 04	1	RING, Thimble
	502 615 00	1	MAGNET AND BEARING SUBASSY		503 242 01	1	MAGNET AND BEARING ASSY
34	108 756 00	1	MAGNET	75	503 615 00	1	MAGNET AND BEARING SUBASSY
35	108 747 00	1	BEARING, Modified magnet	76	108 766 00	1	MAGNET
36	105 772 02	1	COIL, Magnet	77	108 747 00	1	BEARING, Modified magnet
37	108 760 02	1	FACING, Clutch	78	105 772 01	1	COIL, Magnet
	502 617 00	1	RING ASSY, Spring centering	79	105 119 00	1	COUPLING (Attaching Parts)
38	108 782 00	1	RING, Spring centering	80	711 457 56	3	SCREW, Hex socket hd cap No. 6-32 by 7/16 in.
	108 749 00	1	KEY		502 626 00	1	FRAME AND SADDLE ASSY
39	108 752 00	1	SPRING	81	108 787 00	1	FRAME
	503 519 00	1	CUP ASSY, Spring centering	82	721 005 20	1	RING, Tru arc
40	106 909 00	1	CUP, Spring centering	83	721 005 27	2	BEARING, Ball
41	721 005 25	1	BEARING	84	736 212 00	1	GROMMET
42	108 754 00	1	RING, Frame (Attaching Parts)	85	711 406 06	2	SCREW, Hex socket hd cap No. 6-32 by 7/16 in.
43	711 457 56	3	SCREW, Hex socket hd cap No. 6-32 by 7/16 in.	86	715 406 10	2	WASHER, Spring lock No. 6
	501 944 03	1	CAPSTAN ASSY (Attaching Parts)	87	715 106 10	2	WASHER, Flat No. 6
45	714 937 62	1	NUT, Elastic stop 1/4-28	88	710 106 06	3	SCREW, Rd hd mneh No. 6-32 by 7/16 in.
	104 316 03	1	CAPSTAN	89	715 406 10	3	WASHER, Spring lock No. 6
	103 875 05	1	GASKET, Standard	90	711 457 56	3	SCREW, Hex socket hd cap No. 6-32 by 7/16 in.
				91	715 406 10	3	WASHER, Spring lock No. 6

*Not procurable separately. Listed for breakdown purposes only.



**FIGURE 12. MICROSWITCH ACTUATOR
ASSEMBLY-EXPLODED VIEW**

FIGURE 12

MICROSWITCH ACTUATOR ASSEMBLY (CTC-HSP-I)

INDEX NO.	PART NO.	UNITS PER ASSY	DESCRIPTION
	No Number	REF	ACTUATOR ASSY, Microswitch (see figure 5)
1	102 870 00	1	BOLT, Spade (Attaching Parts)
2	714 104 10	1	NUT, Plain hex No. 4-40
3	102 863 00	1	COLLAR (Attaching Parts)
4	713 206 01	1	SETSCREW, Cup pt No. 6-32 by 1/8 in.
5	715 900 40	1	WASHER, Spring
6	501 109 00	1	ARM AND BUSHING ASSY

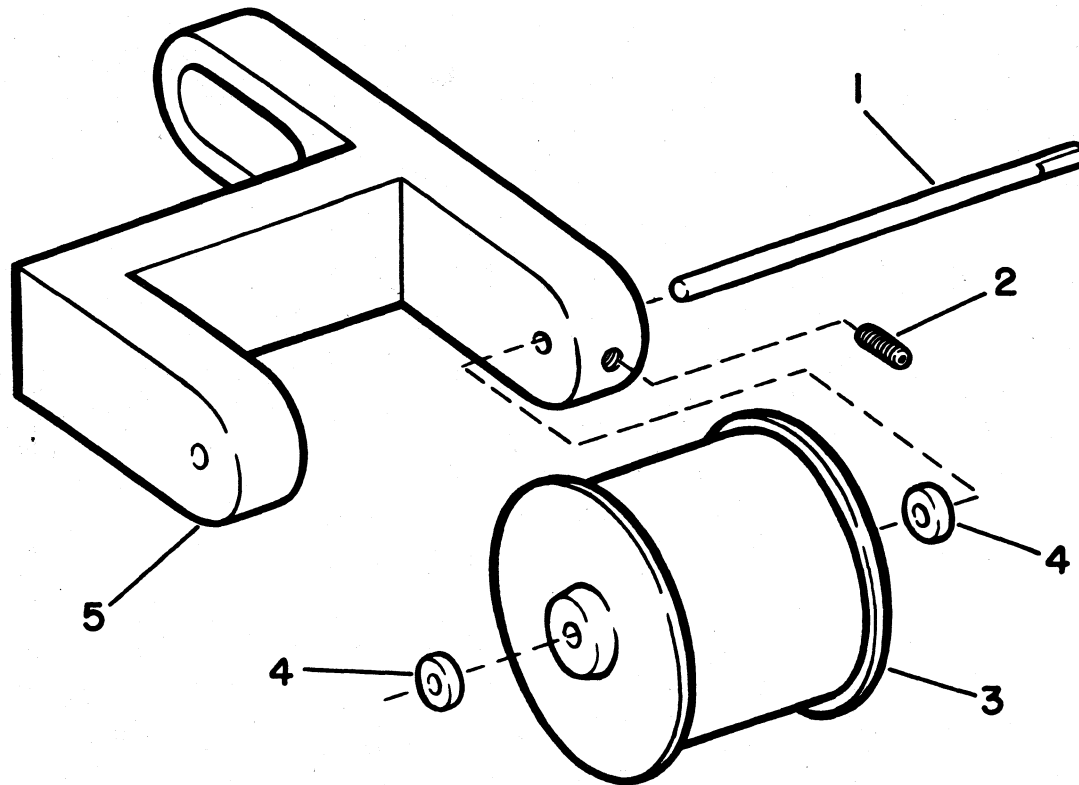


FIGURE 13, 500 073 00
LOW INERTIA IDLER ASSEMBLY-EXPLODED VIEW

FIGURE 13

LOW INERTIA IDLER ASSEMBLY (CTC-I)

INDEX NO.	PART NO.	UNITS PER ASSY	DESCRIPTION
	500 073 00	REF	IDLER ASSY, Low inertia (see figure 5)
1	102 331 00	1	SHAFT (Attaching Parts)
2	713 404 02	1	SETSCREW, Flat pt hex socket headless No. 4-40 by 3/16 in.
3	500 734 00	1	ROLLER ASSY, Loop tension
	100 227 00	2	PLATE
	100 228 00	1	TUBE
4	103 666 05	2	SPACER
5	100 369 00	1	SUPPORT, Low inertia idler

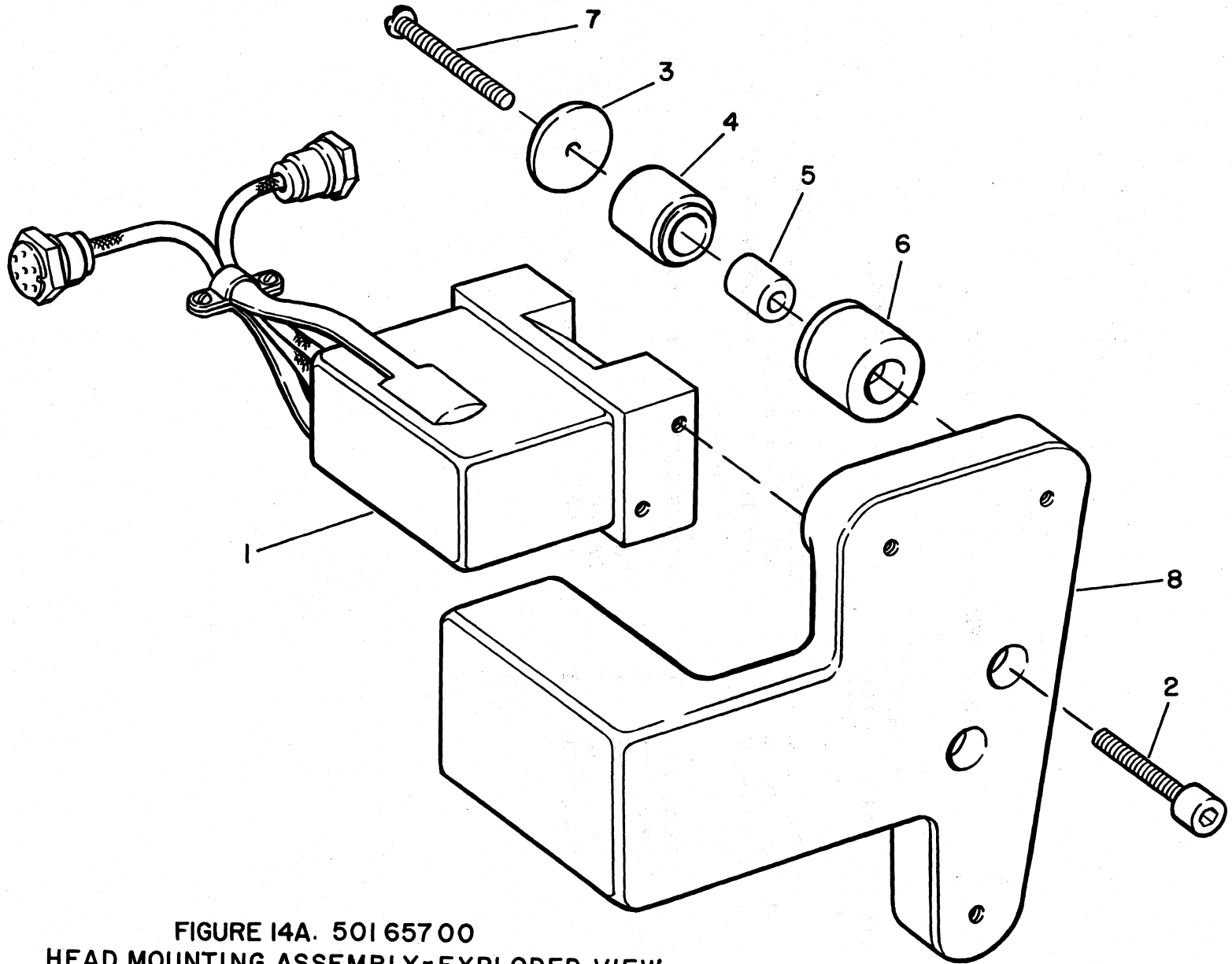


FIGURE 14A. 501 657 00
HEAD MOUNTING ASSEMBLY-EXPLODED VIEW

FIGURE 14A

HEAD MOUNTING ASSEMBLY UNISERVO I

INDEX NO.	PART NO.	UNITS PER ASSY	DESCRIPTION
	501 657 00	REF	MOUNTING ASSY, Head (see item 22, figure 5A)
1	501 655 00	1	MAGNETIC HEAD, ASSY, 8 channel, model 3 (Attaching Parts)
2	711 406 57	2	SCREW, Hex socket hd cap, No. 6-32 x 1/2 in.
3	102 520 00	3	GUIDE, Tape
4	102 519 00	3	BUSHING
5	102 518 00	3	BEARING
6	501 059 00	3	GUIDE AND SPACER ASSY (Attaching Parts)
7	712 111 64	3	SCREW, Rd Phillips hd mach, No. 10-32 x 1-1/2 in.
	102 789 00	1	SPACER, Tape roller
	102 520 00	1	GUIDE, Tape
8	102 791 00	1	MOUNTING PLATE, Model 3 magnetic head

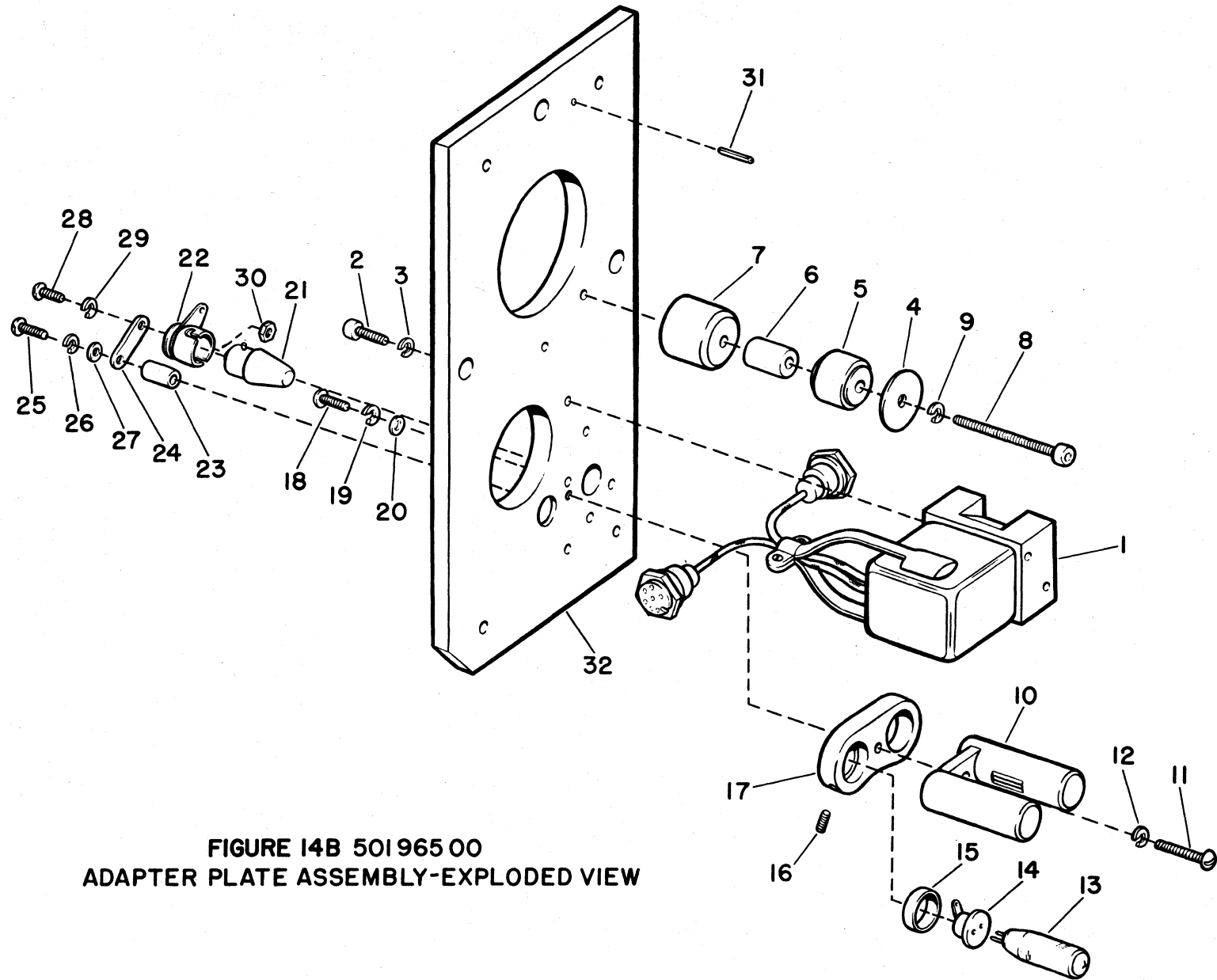


FIGURE 14B 501965 00
ADAPTER PLATE ASSEMBLY-EXPLODED VIEW

FIGURE 14B

ADAPTER PLATE ASSEMBLY-HSP

INDEX NO.	PART NO.	UNITS PER ASSY	DESCRIPTION
	501 965 00	REF	PLATE ASSY, Adapter (see item 17, figure 6B)
1	501 655 00	1	HEAD ASSY (Attaching Parts)
2	711 406 07	2	SCREW, Hex socket hd cap No. 6-32 by 1/2 in.
3	715 406 10	2	WASHER, Spring lock No. 6
4	102 520 00	3	GUIDE, Tape
5	102 519 00	3	BUSHING
6	102 518 00	3	BEARING
7	501 059 00	3	GUIDE AND SPACER ASSY (Attaching Parts)
8	711 411 14	3	SCREW, Hex socket hd cap No. 10-32 by 1-1/2 in.
9	715 410 10	3	WASHER, Spring lock No. 10
10	502 011 00	1	HOOD AND MOUNTING PLATE ASSY (Attaching Parts)
11	710 155 31	1	SCREW, Rd hd mach No. 4-40 by 5/8 in.
12	715 404 10	1	WASHER, Spring lock No. 4
13	745 012 00	1	PHOTOCELL
14	733 700 30	1	SOCKET
15	108 793 00	1	SLEEVE, Photocell socket (Attaching Parts)
16	713 255 26	1	SETSCREW, Hex socket headless No. 4-40 by 1/8 in.
17	108 794 00	1	PLATE, Photocell holder (Attaching Parts)
18	710 104 07	1	SCREW, Rd hd mach No. 4-40 by 1/2 in.
19	715 404 10	1	WASHER, Spring lock No. 4
20	715 104 10	1	WASHER, Flat No. 4
21	744 004 00	1	LAMP
22	733 600 13	1	SOCKET
23	103 804 05	1	SPACER
24	102 866 00	1	STRIP, Insulator (Attaching Parts)
25	710 104 07	1	SCREW, Rd hd mach No. 4-40 by 1/2 in.
26	715 404 10	1	WASHER, Spring lock No. 4
27	715 104 10	1	WASHER, Flat No. 4
28	710 102 05	1	SCREW, Rd hd mach No. 2-56 by 3/8 in.
29	715 402 10	1	WASHER, Spring lock No. 2
30	714 102 10	1	NUT, Plain hex No. 2-56
31	719 103 15	1	PIN, Roll 1/8 dia. by 1/2 in.
32	104 408 00	1	PLATE, Adapter

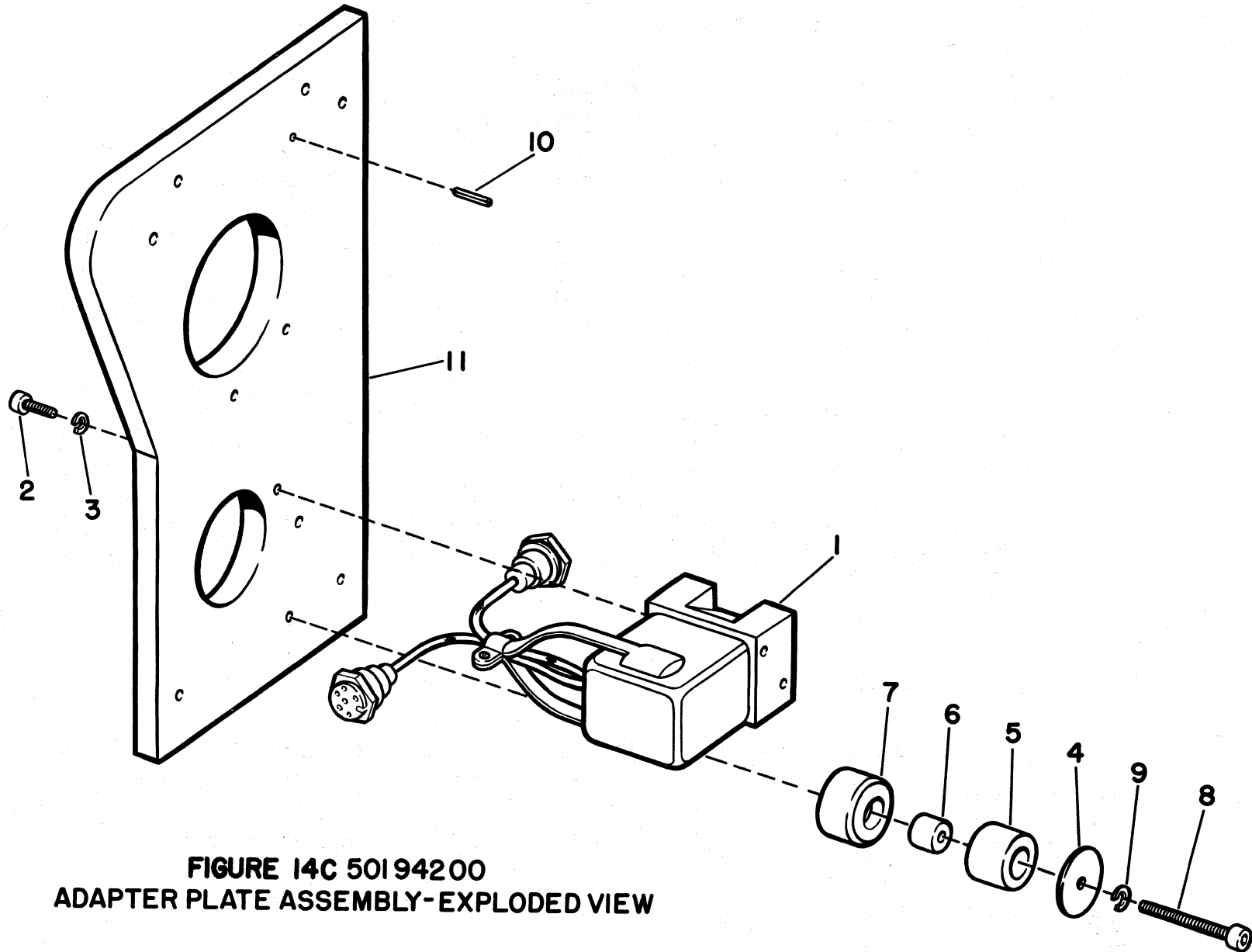


FIGURE 14C

942 ADAPTER PLATE ASSEMBLY-CTC

INDEX NO.	PART NO.	UNITS PER ASSY	DESCRIPTION
	501 942 00	REF	PLATE ASSY, Adapter
1	501 655 00	1	HEAD ASSY (Attaching Parts)
2	711 406 07	2	SCREW, Hex socket hd cap No. 6-32 by 1/2 in.
3	715 406 10	2	WASHER, Spring lock No. 6
4	102 520 00	3	GUIDE, Tape
5	102 519 00	3	BUSHING
6	102 518 00	3	BEARING
7	501 059 00	3	GUIDE AND SPACER ASSY (Attaching Parts)
8	711 411 14	3	SCREW, Hex socket hd cap No. 10-32 by 1-1/2 in.
9	715 410 10	3	WASHER, Spring lock No. 10
10	719 103 15	1	PIN, Roll 1/8 dia. by 1/2 in.
11	104 314 00	1	PLATE, Adapter

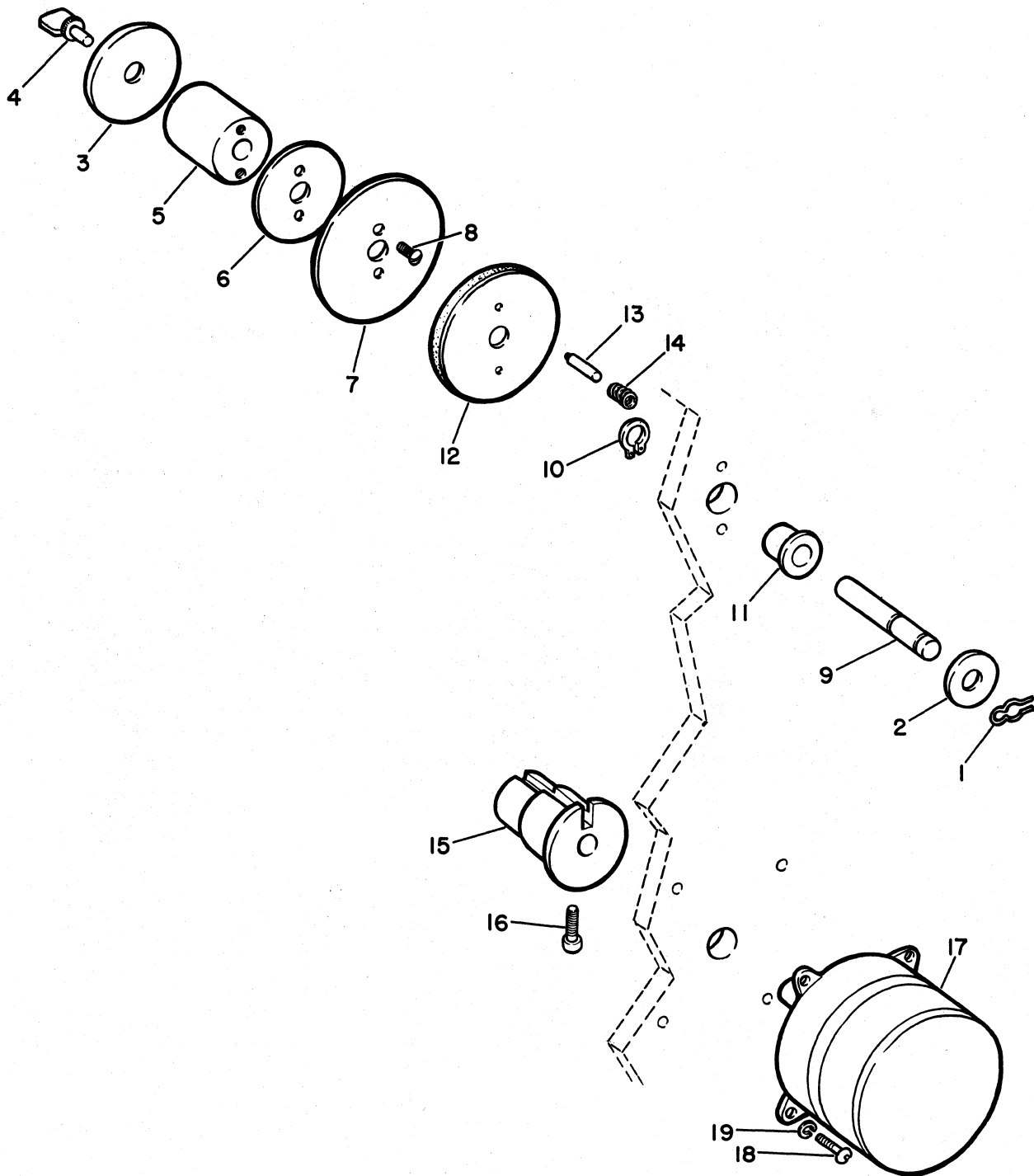


FIGURE 15. MYLAR FEED LAYOUT AND ASSEMBLY
(REF. DSK-3074)-EXPLODED VIEW

FIGURE 15

MYLAR FEED LAYOUT AND ASSEMBLY (CTC - HSP -I)

INDEX NO.	PART NO.	UNITS PER ASSY	DESCRIPTION
	No Number	REF	LAYOUT AND ASSY, Mylar feed (see figure 5) (REF DSK 3074) (Attaching Parts)
1	721 011 50	1	RETAINER, Hairpin
2	715 114 10	1	WASHER, Flat 1/4 in.
	501 118 00	1	RETAINER ASSY, Supply reel
3	102 861 05	1	SPACER (Attaching Parts)
4	719 940 35	1	SCREW, Thumb No. 6-32 by 3/8 in.
	501 119 00	1	REEL ASSY, Supply
5	102 885 00	1	HUB, Supply reel
6	102 887 01	1	DISC, Supply reel
7	102 887 02	1	DISC, Supply reel (Attaching Parts)
8	718 202 05	2	SCREW, Drive No. 0 by 1/4 in.
9	102 884 00	1	SHAFT, Supply reel
10	721 001 05	1	RING, Retaining
11	721 005 05	1	BEARING
	500 905 00	1	CLUTCH ASSY
12	500 906 00	1	PLATE AND PAD ASSY, Pressure
	102 511 00	1	PAD, Pressure
	102 514 00	1	PLATE, Pressure
13	102 513 00	2	PIN, Guide
14	102 875 04	2	SPRING
15	102 886 00	1	HUB, Motor reel (Attaching Parts)
16	711 404 05	1	SCREW, Hex socket hd cap No. 4-40 by 3/8 in.
17	102 538 00	1	TIMER, Cramer (Attaching Parts)
18	710 104 03	2	SCREW, Rd hd mach No. 4-40 by 1/4 in.
19	715 404 10	2	WASHER, Spring lock No. 4

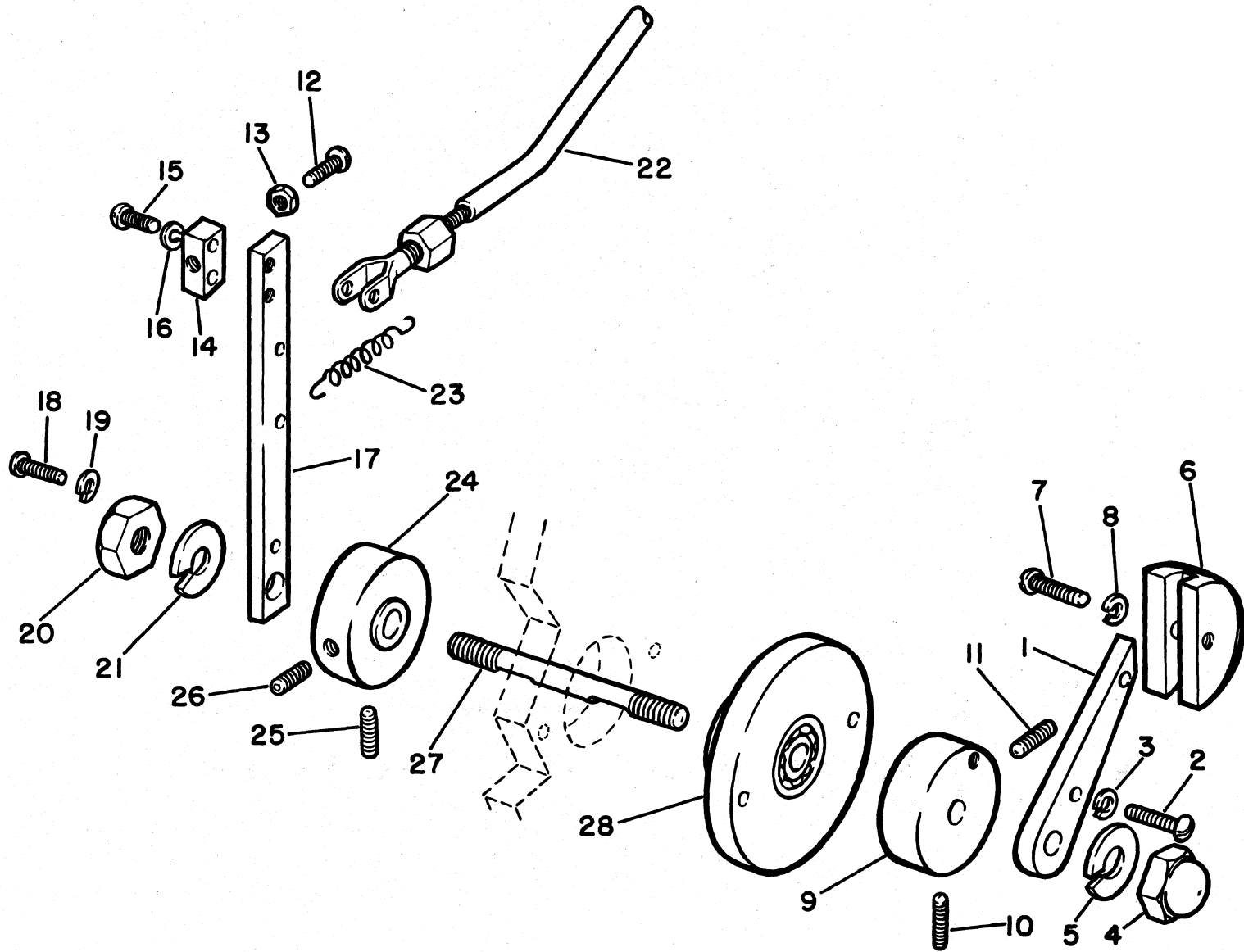


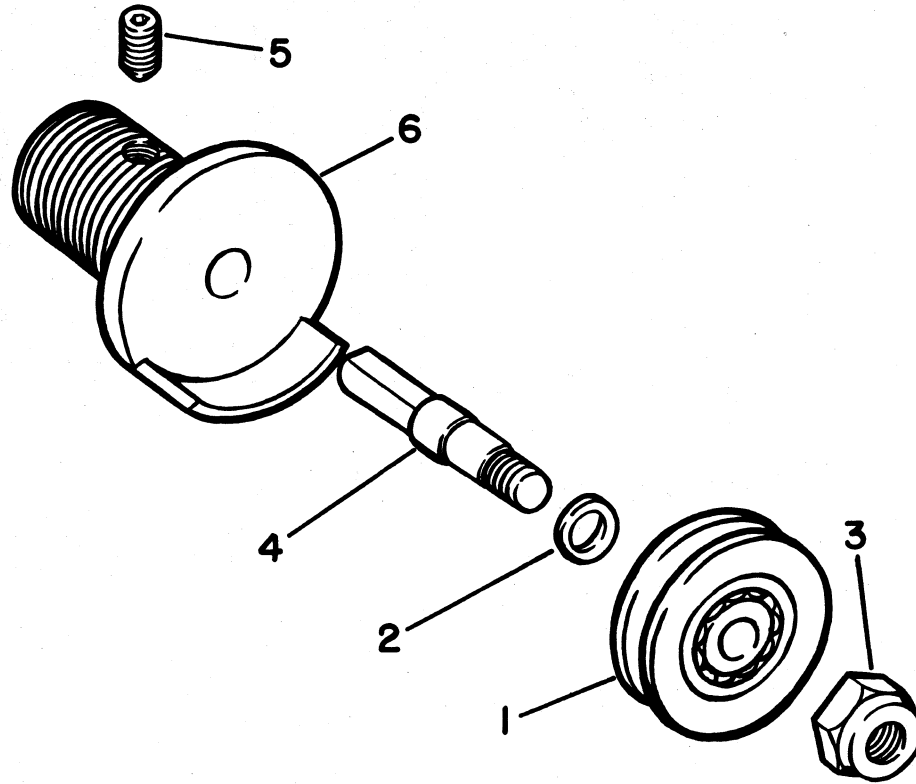
FIGURE 16. 500 065 00
TAPE CLAMPING ASSEMBLY-EXPLODED VIEW

FIGURE 16

TAPE CLAMPING ASSEMBLY (CTC-HSP-I)

INDEX NO.	PART NO.	UNITS PER ASSY	DESCRIPTION
	500 065 00	REF	CLAMPING ASSY, Tape (see figure 5)
1	100 333 00	1	ARM, Tape clamber shoe (Attaching Parts)
2	710 155 57	1	SCREW, Rd hd mach No. 4-40 by 1/2 in.
3	715 404 10	1	WASHER, Spring lock No. 4
4	714 910 36	1	NUT, Cap No. 1/4-28
5	715 414 10	1	WASHER, Spring lock 1/4 in. light
6	500 803 00	1	SHOE ASSY, Tape clamber (Attaching Parts)
7	710 102 06	1	SCREW, Rd hd mach No. 2-56 by 7/16 in.
8	715 402 10	1	WASHER, Spring lock No. 2
	102 351 00	1	SHOE, Tape clamber
	102 000 80	1	GASKET, Standard
9	100 336 01	1	HUB, Tape clamber lever (Attaching Parts)
10	713 204 07	1	SETSCREW, Cup pt hex socket headless No. 4-40 by 1/2 in.
11	713 304 07	1	SETSCREW, Cone pt hex socket headless No. 4-40 by 1/2 in.
12	710 104 11	1	SCREW, Rd hd mach No. 4-40 by 1 in.
13	714 104 10	1	NUT, Plain hex No. 4-40
14	100 415 00	1	BLOCK, Switch adjusting screw (Attaching Parts)
15	710 104 05	2	SCREW, Rd hd mach No. 4-40 by 3/8 in.
16	715 404 10	2	WASHER, Spring lock No. 4
17	104 309 00	1	LEVER, Tape clamber operating (Attaching Parts)
18	710 104 05	1	SCREW, Rd hd mach No. 4-40 by 3/8 in.
19	715 404 10	1	WASHER, Spring lock No. 4
20	714 114 10	1	NUT, Plain hex No. 1/4-28
21	715 414 10	1	WASHER, Spring lock 1/4 in.
22	501 195 00	REF	LINK ASSY, Actuator (see item 7, figure 8)
23	101 129 00	REF	SPRING, Tape clamber (see figure 5)
24	100 336 02	1	HUB, Tape clamp lever (Attaching Parts)
25	713 204 07	1	SETSCREW, Cup pt hex socket headless No. 4-40 by 1/2 in.
26	713 304 07	1	SETSCREW, Cone pt hex socket headless No. 4-40 by 1/2 in.
27	100 334 00	1	SHAFT, Tape clamber
28	502 370 00	1	CARTRIDGE AND BEARING ASSY
	*100 335 00	NP	CARTRIDGE, Bearing
	*721 001 00	NP	BEARING

*Press fit required. Order next higher assembly.



**FIGURE 17. 500 281 00
AUXILIARY TENSION PULLEY ASSEMBLY-EXPLODED VIEW**

FIGURE 17

AUXILIARY TENSION PULLEY ASSEMBLY (CTC - HSP - I)

INDEX NO.	PART NO.	UNITS PER ASSY	DESCRIPTION
	500 281 00	REF	PULLEY ASSY, Auxiliary tension (see figure 6)
1	502 371 00	1	PULLEY AND BEARING ASSY
	*102 226 00	NP	PULLEY
	*721 006 20	NP	BEARING
2	101 500 39	1	SPACER (Attaching Parts)
3	714 920 12	1	NUT, Stop No. 4-40
4	102 227 01	1	SHAFT (Attaching Parts)
5	713 404 01	1	SETSCREW, Flat pt hex socket headless No. 4-40 by 1/8 in.
6	102 231 00	1	STUD, Auxiliary tension pulley

*Press fit required. Order next higher assembly.

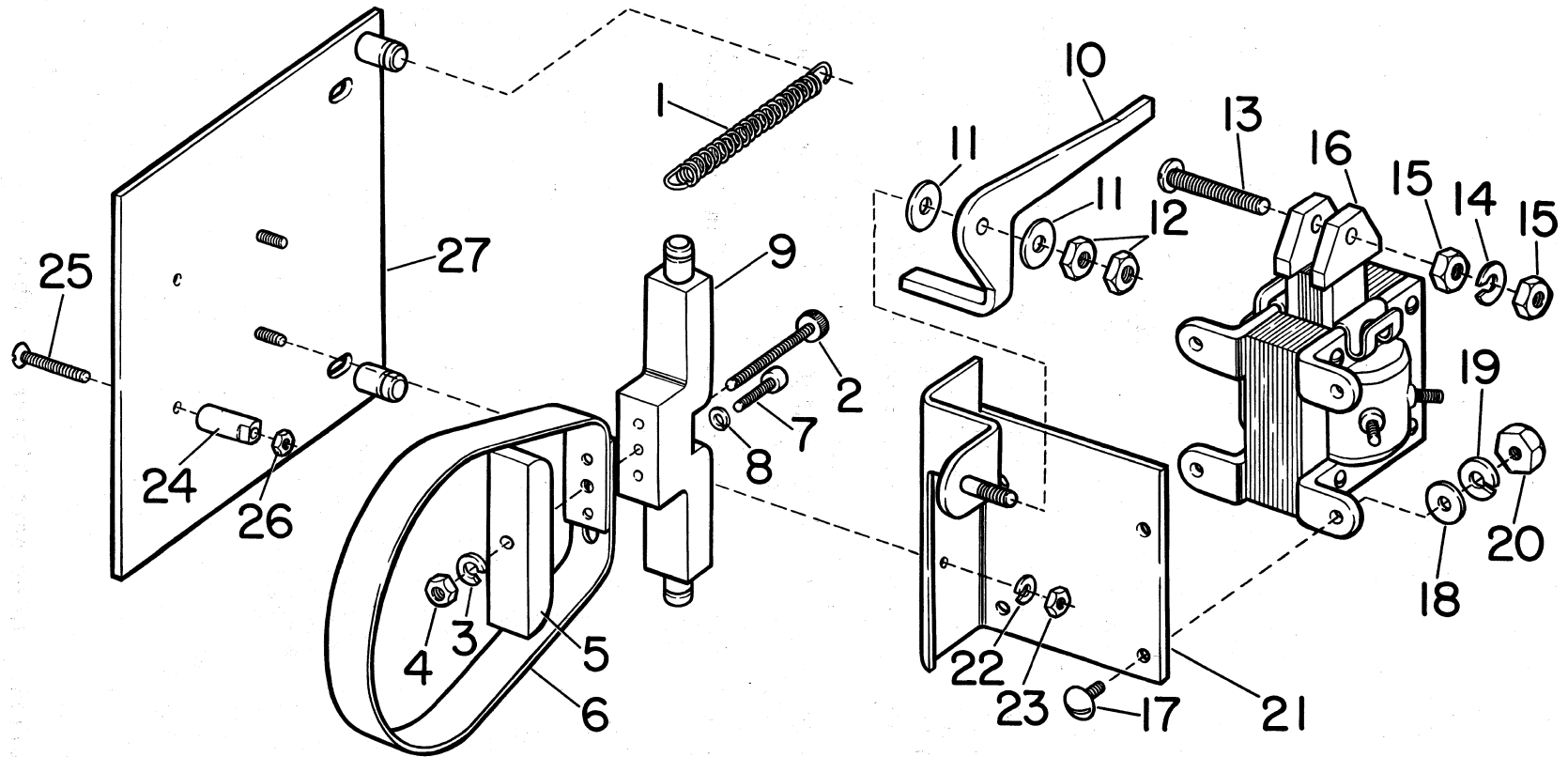


FIGURE 18. 502 296 00 AND 502 297 00
LEFT AND RIGHT SIDE BRAKE ASSEMBLIES-EXPLODED VIEW

FIGURE 18

LEFT AND RIGHT SIDE BRAKE ASSEMBLIES

INDEX NO.	PART NO.	UNITS PER ASSY	DESCRIPTION
	502 297 00	REF A	BRAKE ASSY, Right side (see figure 5 rear)
	502 296 00	REF B	BRAKE ASSY, Left side (see figure 5 rear)
1	102 583 00	2	SPRING, Tension
	501 340 00	1	BAND ASSY, Brake
2	103 151 00	1	SCREW, Adjusting
3	715 410 10	1	WASHER, Spring lock No. 10
4	714 111 10	1	NUT, Hex No. 10-32
5	103 180 00	1	PLATE, Clamp
6	103 181 00	1	BAND, Brake (Attaching Parts)
7	711 406 11	2	SCREW, Hex socket hd cap No. 6-32 by 1 in.
8	715 406 10	2	WASHER, Spring lock No. 6
9	501 339 00	1	BLOCK AND PIN ASSY, Brake
10	105 115 01	1 B	ARM, Brake (left)
10	105 115 02	1 A	ARM, Brake (right) (Attaching Parts)
11	715 110 10	2	WASHER, Flat No. 10
12	714 111 10	2	NUT, Hex No. 10-32
13	710 113 13	1	SCREW, Rd hd mach No. 1/4-20 by 1-1/4 in.
14	715 414 10	1	WASHER, Spring lock 1/4 in.
15	714 113 10	2	NUT, Hex No. 1/4-20
16	746 102 05	1	SOLENOID (Attaching Parts)
17	710 108 07	4	SCREW, Rd hd mach No. 8-32 by 1/2 in.
18	715 108 10	4	WASHER, Flat No. 8
19	715 408 10	4	WASHER, Spring lock No. 8
20	714 108 10	4	NUT, Hex No. 8-32
21	503 056 01	1 B	BRACKET ASSY, Solenoid mounting
21	503 056 02	1 A	BRACKET ASSY, Solenoid mounting (Attaching Parts)
22	715 406 10	2	WASHER, Spring lock No. 6
23	714 106 10	2	NUT, Hex No. 6-32
24	102 582 00	2	PIN, Stop (Attaching Parts)
25	710 206 10	2	SCREW, Flat hd mach No. 6-32 by 7/8 in.
26	714 206 10	2	NUT, Hex No. 6-32 (1/4 in. across flats)
27	501 757 00	1	PLATE ASSY, Mounting

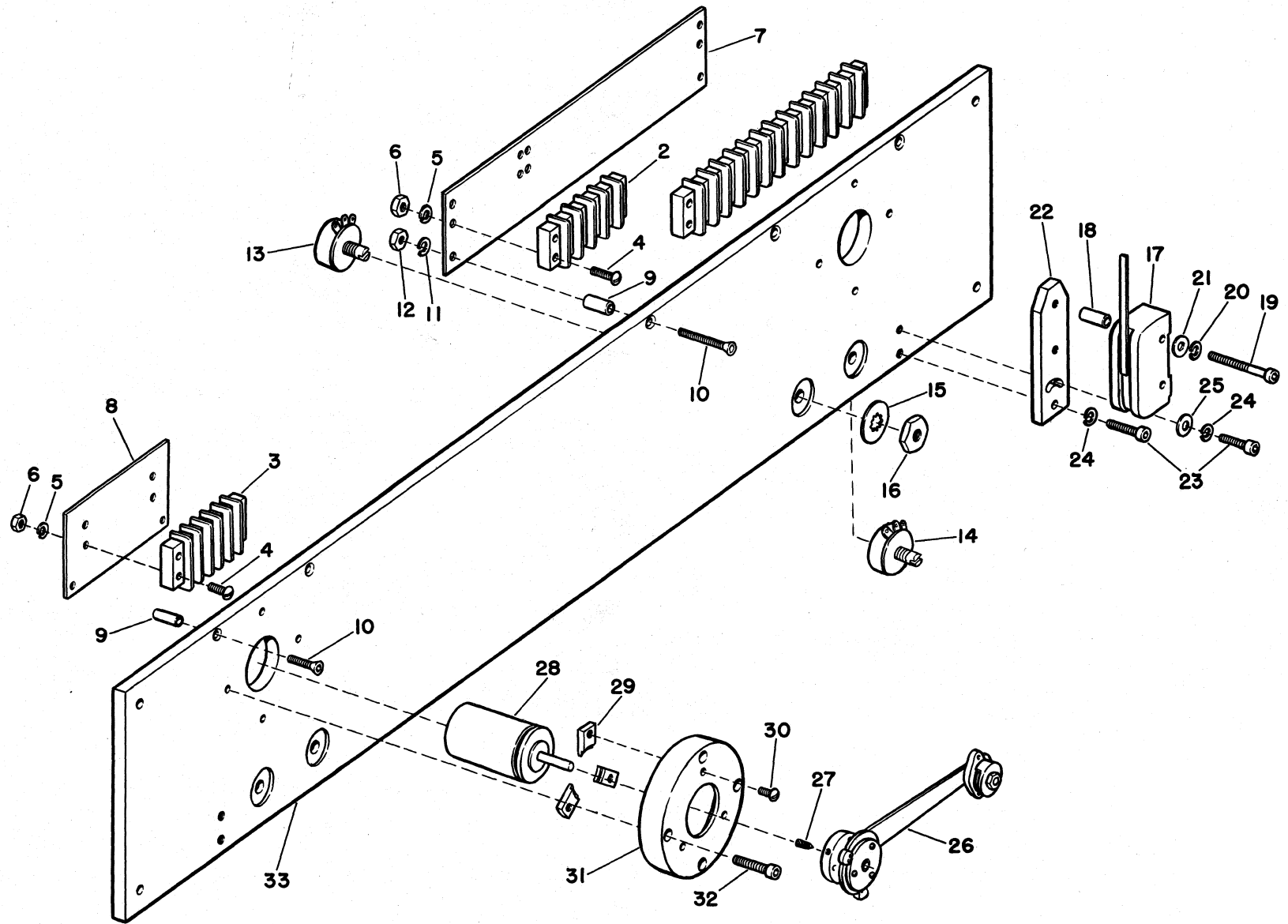


FIGURE 19A 500 780 00
POSITION UNIT PANEL ASSEMBLY-EXPLODED VIEW

FIGURE 19A

POSITION UNIT PANEL ASSEMBLY UNISERVO I

INDEX NO.	PART NO.	UNITS PER ASSY	DESCRIPTION
	500 780 00	REF	PANEL ASSY, Position unit (see item 13, figure 1A)
1	733 401 12	1	STRIP, Barrier
	733 420 12	1	STRIP, Marker
2	733 401 04	1	STRIP, Barrier
	733 420 04	1	STRIP, Marker
3	733 401 05	1	STRIP, Barrier
	733 420 05	1	STRIP, Marker (Attaching Parts)
4	710 106 08	12	SCREW, Rd hd mach, No. 6-32 by 5/8 in.
5	715 406 10	12	WASHER, Spring lock, No. 6
6	714 206 10	12	NUT, Hex, No. 6-32 (1/4 in. across flats)
7	100 608 00	1	BRACKET, Terminal strip
8	102 676 00	1	PLATE, Terminal strip
9	102 861 01	5	SPACER (Attaching Parts)
10	711 257 37	5	SCREW, Fl hex socket hd mach, No. 6-32 by 1-1/8 in.
11	715 406 10	5	WASHER, Spring lock, No. 6
12	714 206 10	5	NUT, Hex, No. 6-32 (1/4 in. across flats)
13	774 150 31	2	POTENTIOMETER, 50K 2w
14	774 310 22	2	POTENTIOMETER, 1K 2w wire wound (with slotted shaft) (Attaching Parts)
15	No Number	4	WASHER, Internal tooth lock, 3/8 in. (part of items 13 and 14)
16	No Number	4	NUT, Light hex, No. 3/8-32 (part of items 13 and 14)
17	734 150 32	2	SWITCH, Micro
18	103 666 06	4	SPACER (Attaching Parts)
19	711 457 39	4	SCREW, Hex socket hd cap, No. 6-32 by 1-1/2 in.
20	715 406 10	4	WASHER, Spring lock, No. 6
21	715 106 60	4	WASHER, Flat, No. 6
22	100 400 00	2	MOUNTING PLATE, Loop safety switch (Attaching Parts)
23	711 457 32	4	SCREW, Hex socket hd cap, No. 6-32 by 1/2 in.
24	715 406 10	4	WASHER, Spring lock, No. 6
25	715 106 60	2	WASHER, Flat, No. 6
26	500 808 00	2	ARM ASSY, Autosyn (see figure 20)(Attaching Parts)
27	713 304 06	REF	SETSCREW, Cone pt hex socket hdl, No. 4-40 by 7/16 in.
28	500 936 00	2	AUTOSYN ASSY
28	737 401 05	2	AUTOSYN ASSY, Alternate for 500 936 00
29	108 687 00	6	RETAINER (Attaching Parts)
30	710 555 28	6	SCREW, Binding hd mach, No. 4-40 by 1/4 in.
31	100 398 00	2	RING, Clamping (for use with 500 936 00 Autosyn)
31	108 686 00	2	RING, Clamping (for use with 737 401 05 Autosyn) (Attaching Parts)
32	711 257 32	8	SCREW, Fl hex socket hd cap, No. 6-32 by 1/2 in. (for use with 100 398 00 Ring)
32	711 457 33	8	SCREW, Hex socket hd cap, No. 6-32 by 5/8 in. (for use with 108 686 00 Ring)
33	100 397 01	1	PANEL, Position indicator

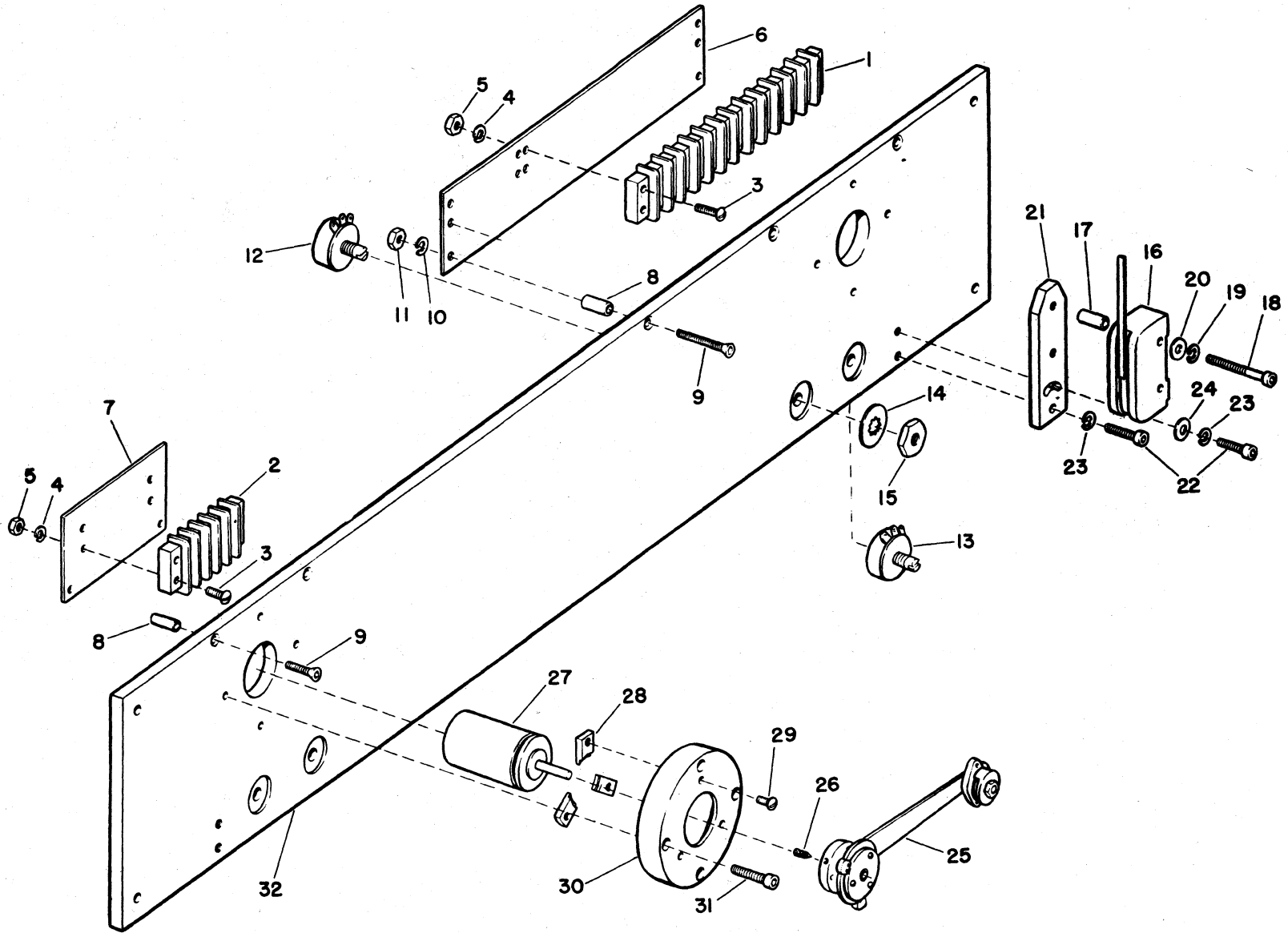


FIGURE 19B 501946 00
POSITION UNIT PANEL ASSEMBLY-EXPLODED VIEW

FIGURE 19B

POSITION UNIT ASSEMBLY

INDEX NO.	PART NO.	UNITS PER ASSY	DESCRIPTION
	501 946 00	REF	PANEL ASSY, Position unit (see item 13, figure 1B)
1	733 401 12	1	STRIP, Barrier
	733 420 12	1	STRIP, Marker
2	733 401 05	1	STRIP, Barrier
	733 420 05	1	STRIP, Marker (Attaching Parts)
3	710 106 08	8	SCREW, Rd hd mach No. 6-32 by 5/8 in.
4	715 406 10	8	WASHER, Spring lock No. 6
5	714 206 10	8	NUT, Hex No. 6-32 (1/4 in. across flats)
6	100 608 00	1	BRACKET, Terminal strip
7	102 676 00	1	PLATE, Terminal strip
8	102 861 01	5	SPACER (Attaching Parts)
9	711 257 37	5	SCREW, Flat hex socket hd mach No. 6-32 by 1-1/8 in.
10	715 406 10	5	WASHER, Spring lock No. 6
11	714 206 10	5	NUT, Hex No. 6-32 (1/4 in. across flats)
12	774 150 31	2	POTENTIOMETER, 50 kilohms 2 watts
13	774 310 22	2	POTENTIOMETER, 1000 ohms 2 watts (with slotted shaft) (Attaching Parts)
14	No Number	4	WASHER, Internal tooth lock 3/8 in. (part of items 12 and 13)
15	No Number	4	NUT, Light hex No. 3/8-32 (part of items 12 and 13)
16	734 150 32	2	SWITCH, Micro
17	100 100 76	4	SPACER (Attaching Parts)
18	711 457 39	4	SCREW, Hex socket hd cap No. 6-32 by 1-1/2 in.
19	715 406 10	4	WASHER, Spring lock No. 6
20	715 106 60	4	WASHER, Flat No. 6
21	100 400 00	2	MOUNTING PLATE, Loop safety switch (Attaching Parts)
22	711 457 32	4	SCREW, Hex socket hd cap No. 6-32 by 1/2 in.
23	715 406 10	4	WASHER, Spring lock No. 6
24	715 106 60	2	WASHER, Flat No. 6
25	500 808 00	2	ARM ASSY, Autosyn (see figure 20) (Attaching Parts)
26	713 304 06	REF	SETSCREW, Cone pt hex socket headless No. 4-40 by 7/16 in.
27	500 936 00	2	AUTOSYN ASSY
27	737 401 05	2	AUTOSYN ASSY (Alternate for 500 936 00)
28	108 687 00	6	RETAINER (Attaching Parts)
29	710 555 28	6	SCREW, Binding hd mach No. 5-50 by 1/4 in.
30	100 398 00	2	RING, Clamping (for use with 500 936 00 autosyn)
30	108 686 00	2	RING, Clamping (for use with 737 401 05 autosyn) (Attaching Parts)
31	711 257 32	8	SCREW, Flat hex socket hd cap No. 6-32 by 1/2 in. (for use with 100 398 00 ring)
31	711 457 33	8	SCREW, Hex socket hd cap No. 6-32 by 5/8 in. (for use with 108 686 00 ring)
32	100 397 01	1	PANEL, Position indicator

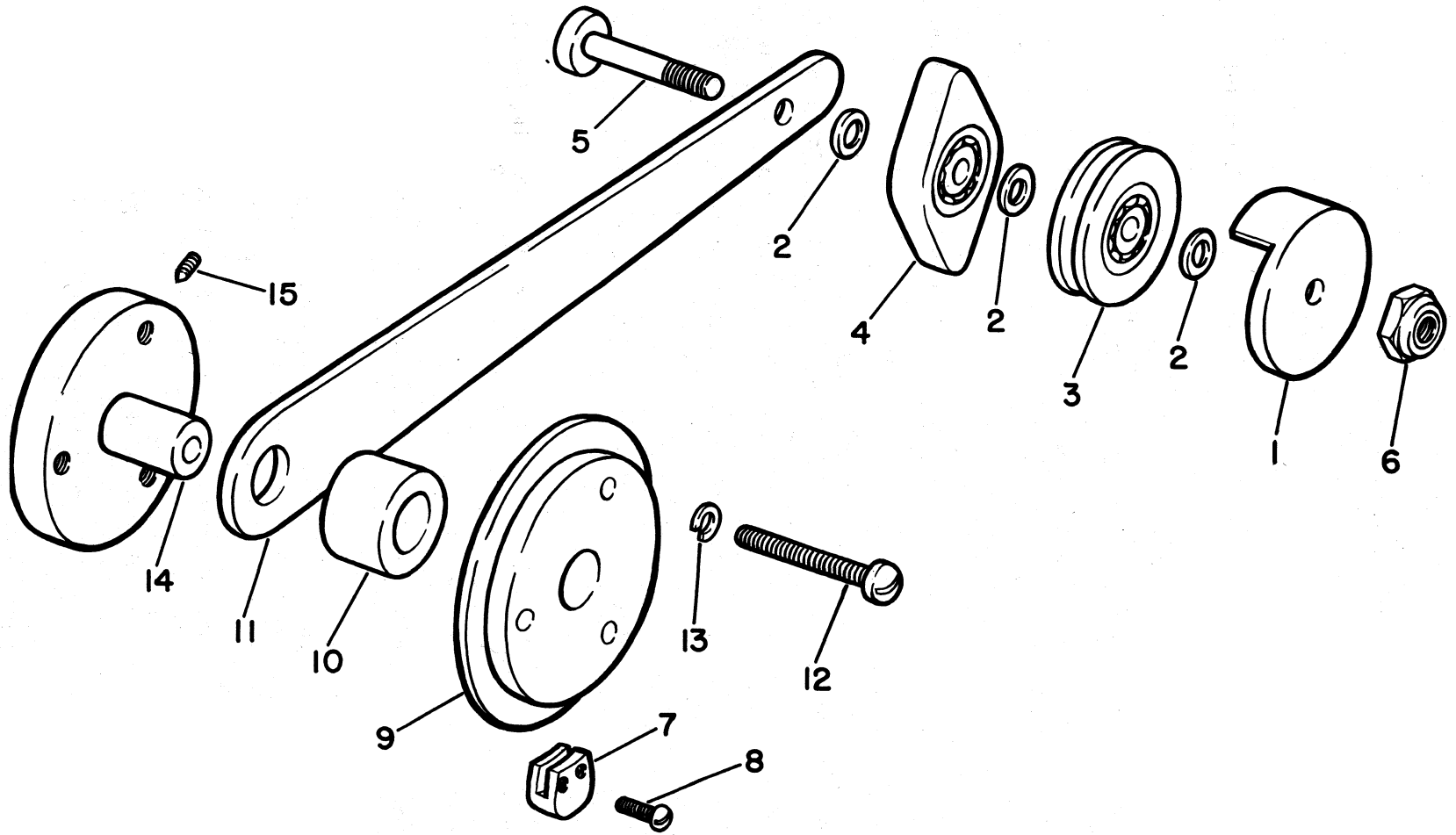


FIGURE 20. 500 808 00
AUTOSYN ARM ASSEMBLY-EXPLODED VIEW

FIGURE 20

AUTOSYN ARM ASSEMBLY (CTC-HSP-I)

INDEX NO.	PART NO.	UNITS PER ASSY	DESCRIPTION
	500 808 00	REF	ARM ASSY, Autosyn (see figure 19)
1	102 340 02	1	GUARD
2	101 500 39	3	SPACER
3	502 371 00	1	PULLEY AND BEARING ASSY
	*102 226 00	NP	PULLEY
	*721 006 20	NP	BEARING
4	502 372 00	1	FLOATING LINK AND BEARING ASSY
	*102 339 00	NP	LINK, Floating
	*721 006 20	NP	BEARING (Attaching Parts)
5	102 248 02	1	SHAFT
6	714 920 12	1	NUT, Stop No. 4-40
7	100 301 00	2	LOBE, Switch cam (Attaching Parts)
8	710 100 02	4	SCREW, Rd hd mach No. 0-80 by 3/16 in.
9	100 302 00	1	PLATE, Cam position
10	103 666 03	1	SPACER
11	102 326 00	1	BAR, Autosyn (Attaching Parts)
12	710 302 08	3	SCREW, Fil mach No. 2-56 by 5/8 in.
13	715 402 10	3	WASHER, Spring lock No. 2
14	100 303 00	1	BUSHING, Position indicator arm
15	713 304 06	2	SETSCREW, Cone pt hex socket headless No. 4-40 by 7/16 in.

*Press fit required. Order next higher assembly.

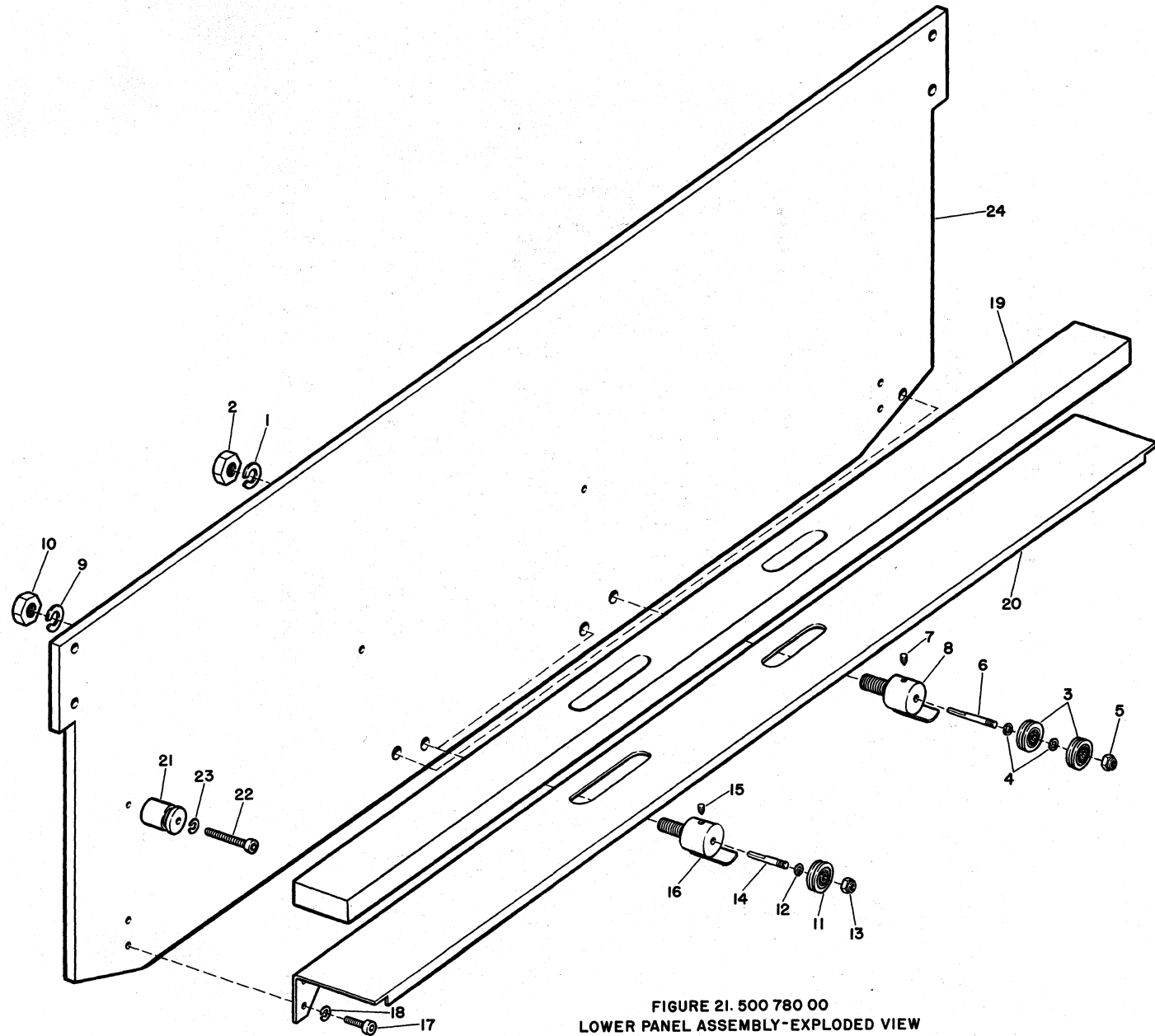


FIGURE 21. 500 780 00
LOWER PANEL ASSEMBLY-EXPLODED VIEW

FIGURE 21

LOWER PANEL ASSEMBLY (CTC-HSP-I)

INDEX NO.	PART NO.	UNITS PER ASSY	DESCRIPTION
	500 780 00	REF	PANEL ASSY, Lower (see figure 1)
	500 284 00	3	PULLY ASSY, Double cord (Attaching Parts)
1	715 714 10	3	WASHER, Internal tooth lock 1/4 in.
2	714 114 10	3	NUT, Hex No. 1/4-28
3	502 371 00	2	PULLEY AND BEARING ASSY
	*102 226 00	NP	PULLEY
	*721 006 20	NP	BEARING
4	101 500 39	2	SPACER (Attaching Parts)
5	714 920 12	1	NUT, Stop No. 4-40
6	102 227 02	1	SHAFT (Attaching Parts)
7	713 404 01	1	SETSCREW, Flat pt hex socket headless No. 4-40 by 1/8 in.
8	500 795 00	1	STUD AND GUARD ASSY
	500 282 00	2	PULLEY ASSY, Single cord (Attaching Parts)
9	715 714 10	2	WASHER, Internal tooth lock 1/4 in.
10	714 114 10	2	NUT, Hex No. 1/4-28
11	502 371 00	1	PULLEY AND BEARING ASSY
	*102 226 00	NP	PULLEY
	*721 006 20	NP	BEARING
12	101 500 39	1	SPACER (Attaching Parts)
13	714 920 12	1	NUT, Stop No. 4-40
14	102 227 01	1	SHAFT (Attaching Parts)
15	713 404 01	1	SETSCREW, Hex socket headless No. 4-40 by 1/8 in.
16	500 795 00	1	STUD AND GUARD ASSY
	500 278 00	1	SHEET ASSY, Safety (Attaching Parts)
17	711 457 30	4	SCREW, Hex socket hd cap No. 6-32 by 3/8 in.
18	715 406 30	4	WASHER, Spring lock No. 6
19	101 921 00	1	SHEET, Safety
20	101 920 00	1	BRACKET, Mounting
21	101 050 00	1	POST, Tension spring (Attaching Parts)
22	711 462 36	1	SCREW, Hex socket hd cap No. 10-32 by 1 in.
23	715 410 30	1	WASHER, Spring lock No. 10
24	101 918 00	1	PANEL

*Press fit required. Order next higher assembly.

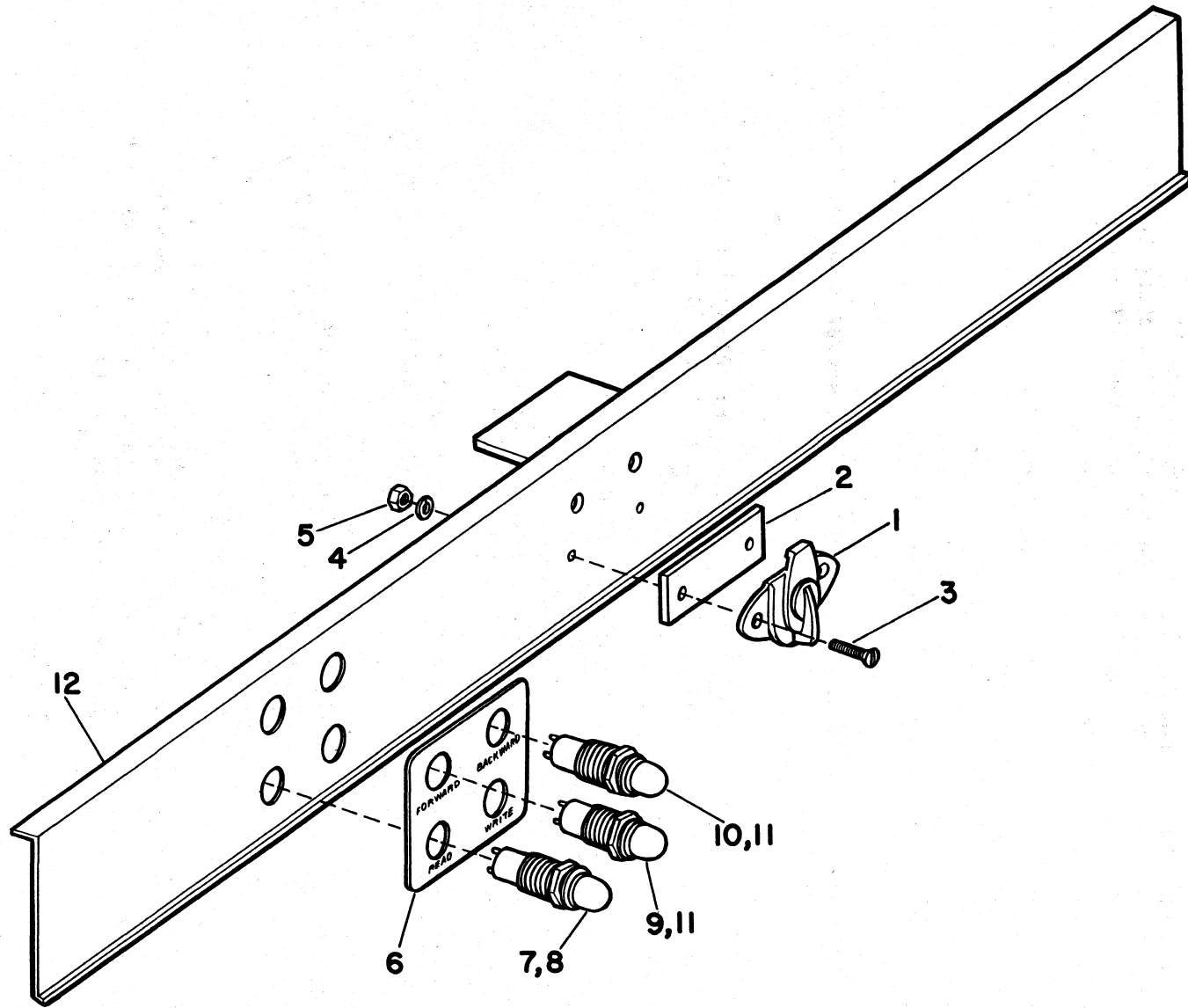


FIGURE 22A 501 050 00
UNISERVO PANEL AND LOCK ASSEMBLY-EXPLODED VIEW

FIGURE 22A

PANEL AND LOCK ASSEMBLY UNISERVO I

INDEX NO.	PART NO.	UNITS PER ASSY	DESCRIPTION
	501 050 00	REF	PANEL AND LOCK ASSY, Uniservo (see item 22, figure 1A)
1	102 762 02	1	LOCK, Modified
2	102 763 00	1	SPACER, Lock (Attaching Parts)
3	710 657 34	2	SCREW, Oval hd mach, No. 6-32 by 3/4 in.
4	715 406 10	2	WASHER, Spring lock, No. 6
5	714 106 10	2	NUT, Plain hex, No. 6-32
6	101 573 00	1	PLATE, Engraved lamp panel
7	733 651 40	1	LIGHT, Pilot
8	744 011 00	1	LAMP, Pilot
9	733 651 30	1	LIGHT, Pilot
10	733 651 20	1	LIGHT, Pilot
11	744 004 00	2	LAMP, Pilot
12	BSK 1667	1	PANEL, Frame fastener

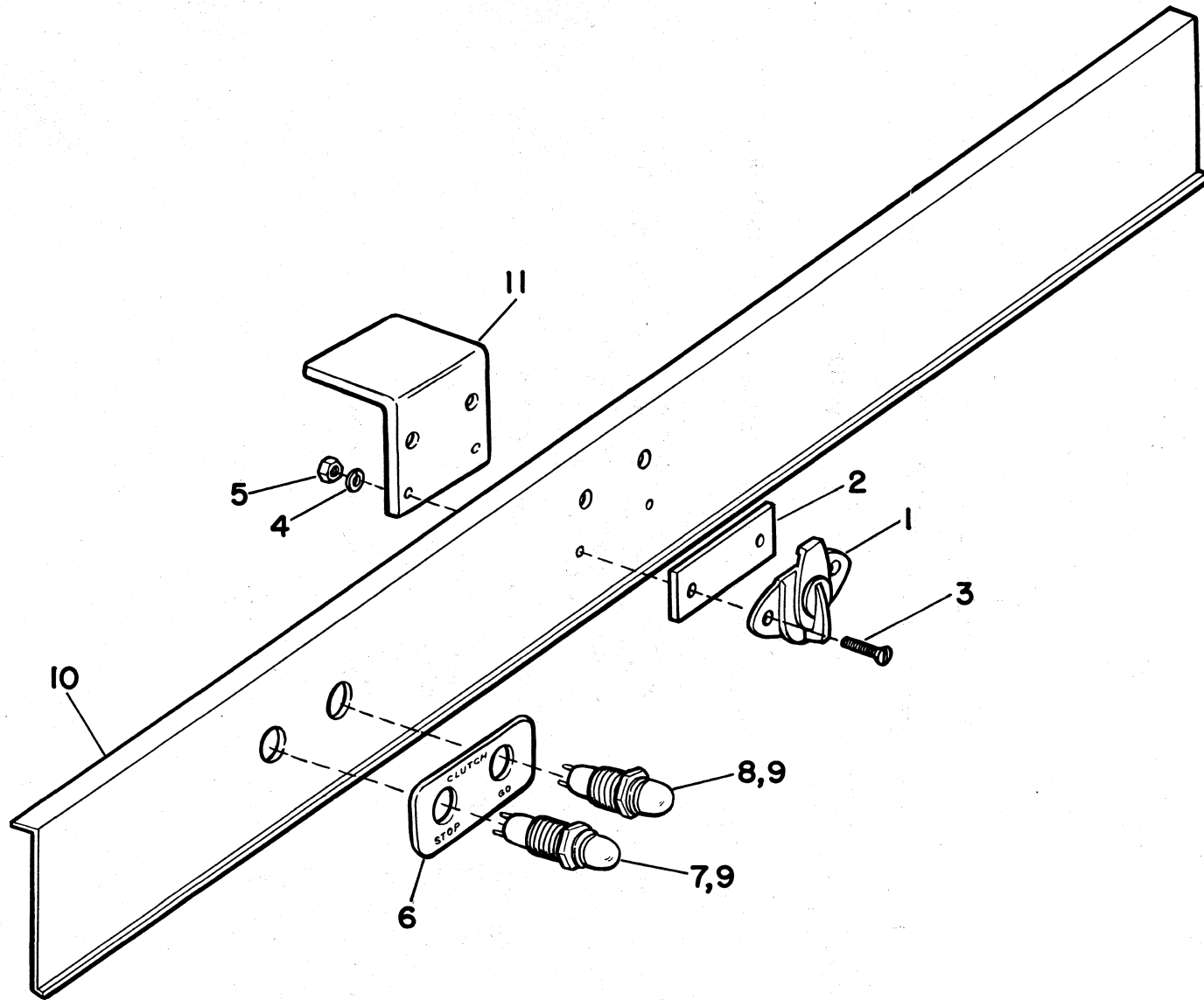


FIGURE 22B 501959 00
PANEL AND LOCK ASSEMBLY-EXPLODED VIEW

FIGURE 22B

PANEL AND LOCK ASSEMBLY(CTC-HSP)

INDEX NO.	PART NO.	UNITS PER ASSY	DESCRIPTION
	501 959 00	REF	PANEL AND LOCK ASSY (see figure 1)
1	102 762 02	1	LOCK, Modified
2	102 763 00	1	SPACER, Lock (Attaching Parts)
3	710 657 34	2	SCREW, Oval hd mach No. 6-32 by 3/4 in.
4	715 406 10	2	WASHER, Spring lock No. 6
5	714 106 10	2	NUT, Plain hex No. 6-32
6	104 393 00	1	PLATE, Engraved lamp panel
7	733 651 81	1	LIGHT, Pilot
8	733 651 87	1	LIGHT, Pilot
9	744 011 00	2	LAMP, Pilot
10	104 338 00	1	PANEL, Frame fastener
11	102 764 00	1	ANGLE, Panel support