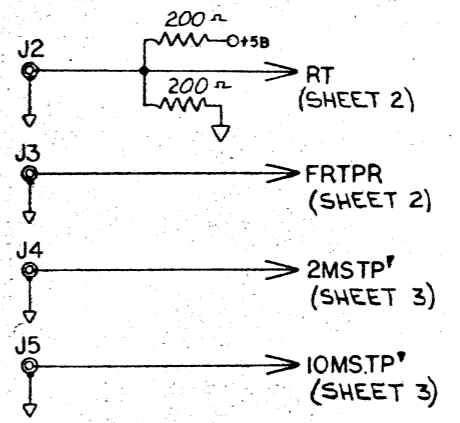
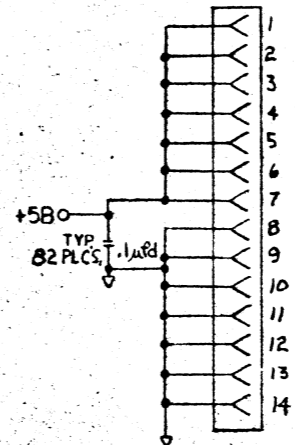
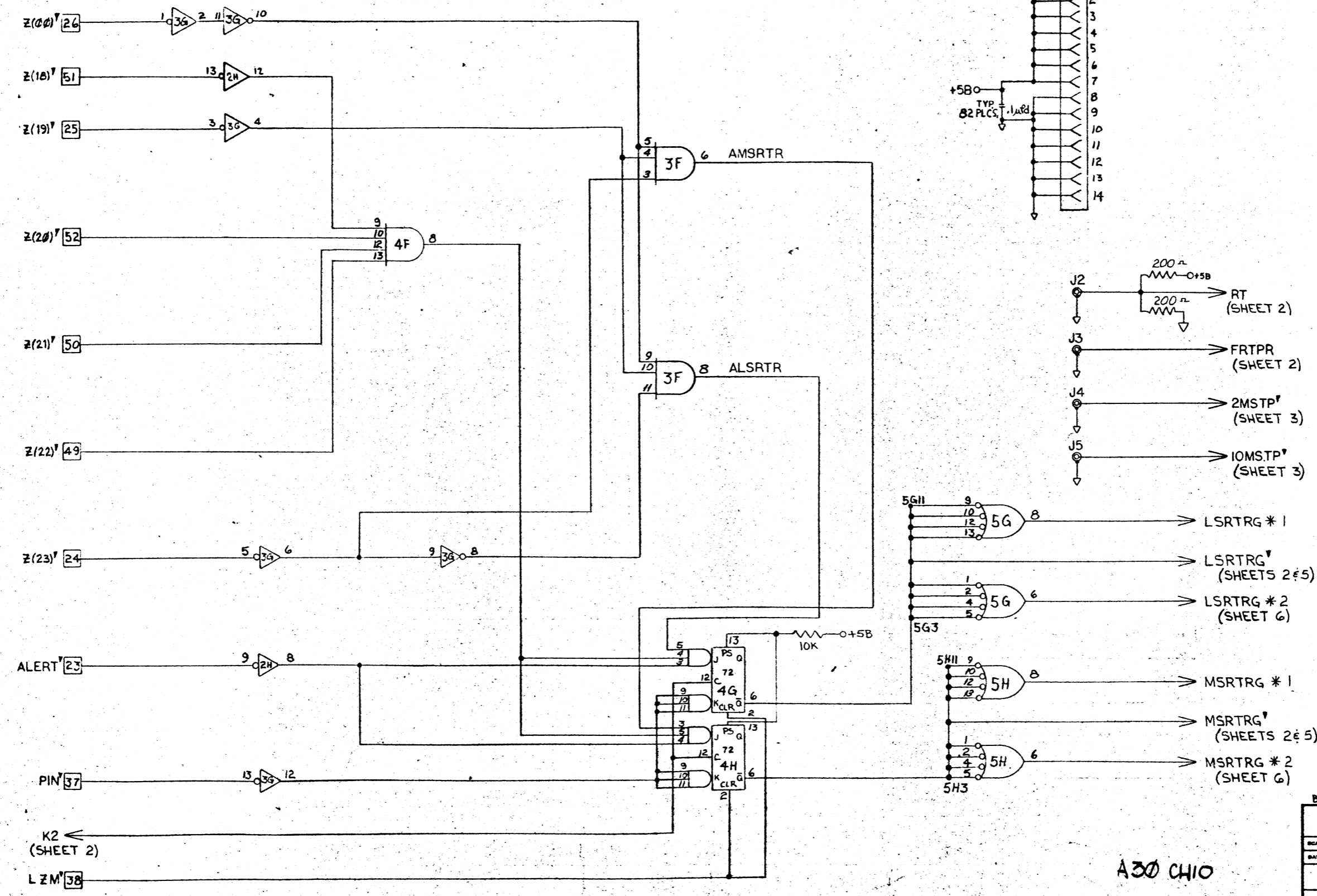


+5  
 127-136 □ — N.C.  
 7, 8, 15, 16 □ — SPARE PINS  
 1, 3-6, 9-14, 17-22, 27-36, 39-48, 53-64, 71-78, 83-92, 97-116, □ — GND.

NOTES;  
 UNLESS OTHERWISE SPECIFIED:  
 1. DIODES ARE  
 2. RESISTORS ARE 1/8 W, 10% CARBON

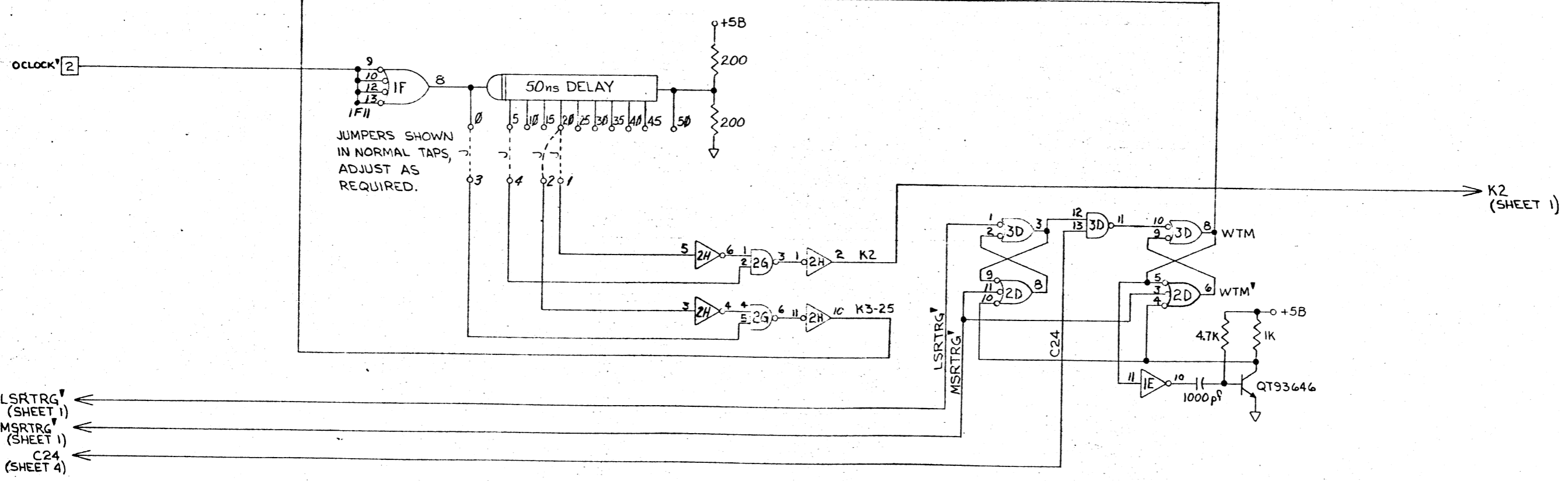
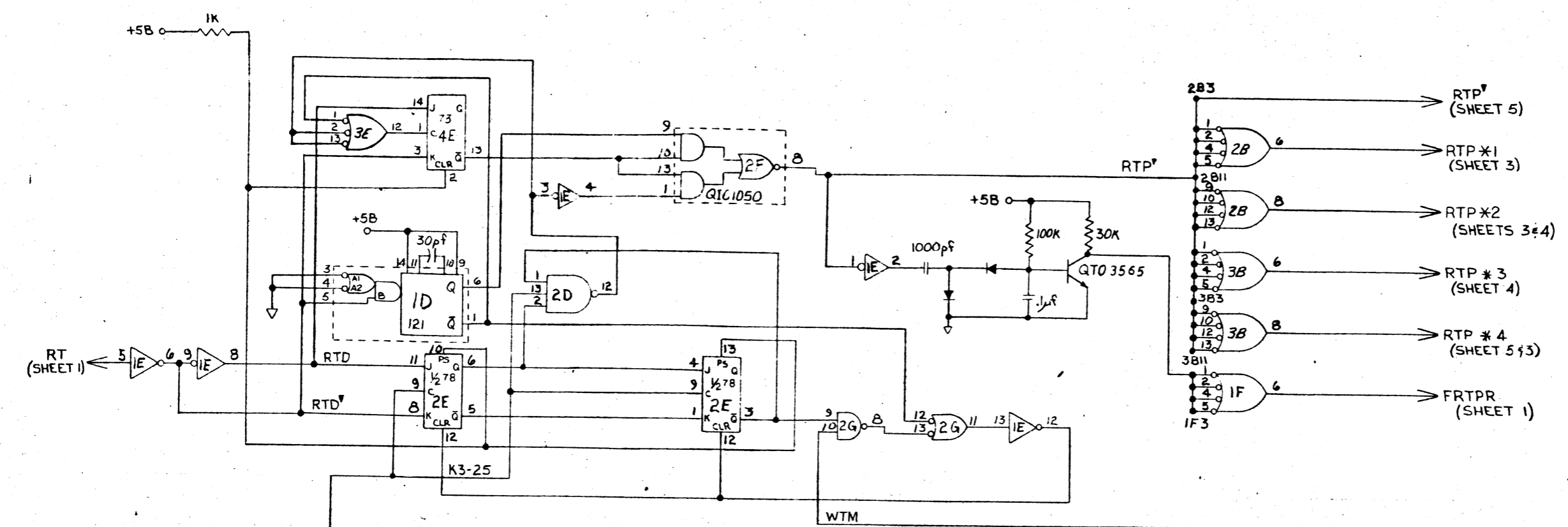


A30 CH10

B INVERTS SIG Z(18) AT PIN#51 9.8.70 MM DPH

**Berkeley Computer Corporation**

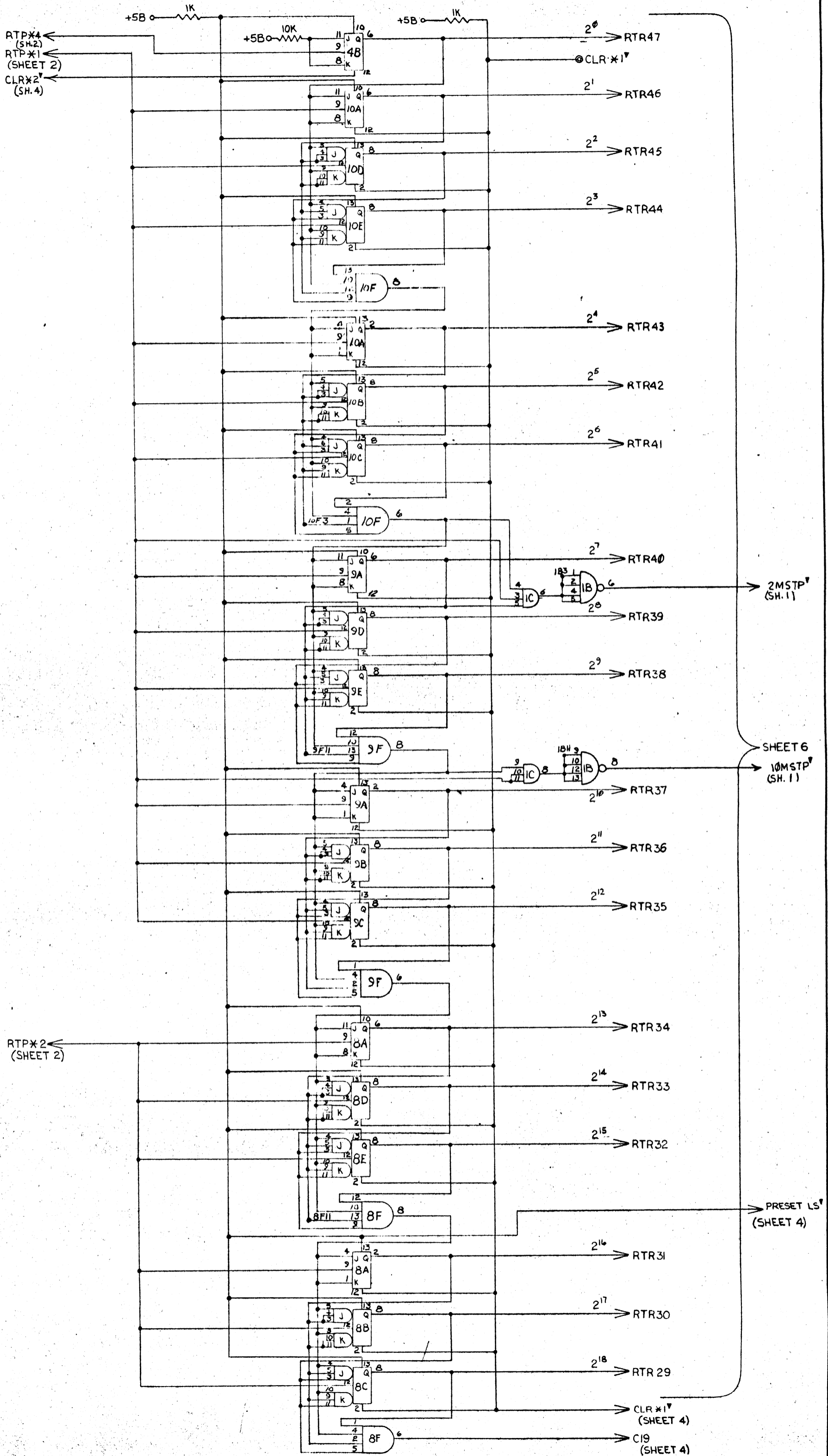
SCALE: NONE	APPROVED BY:	DRAWN BY GCA
DATE: 9 SEPT 69		REVISED 3-26-69
REAL TIME REGISTER (RTR)		
CH10	WIA30	DRAWING NUMBER L00642.0



LSRTRG (SHEET 1)  
MSRTRG (SHEET 1)  
C24 (SHEET 4)

Berkeley Computer Corporation		
SCALE: NONE	APPROVED BY:	DRAWN BY: GCA
DATE: 9 SEPT 69		REVISED: 9-26-69
REAL TIME REGISTER (RTR)		
CHIO	WIA30	DRAWING NUMBER: LOC642.0

A30 CHIO



RTPX4  
(SH.2)  
RTPX1  
(SHEET 2)  
CLR\*2  
(SH.4)

RTPX2  
(SHEET 2)

2MSTP  
(SH.1)

SHEET 6  
10MSTP  
(SH.1)

PRESET LS  
(SHEET 4)

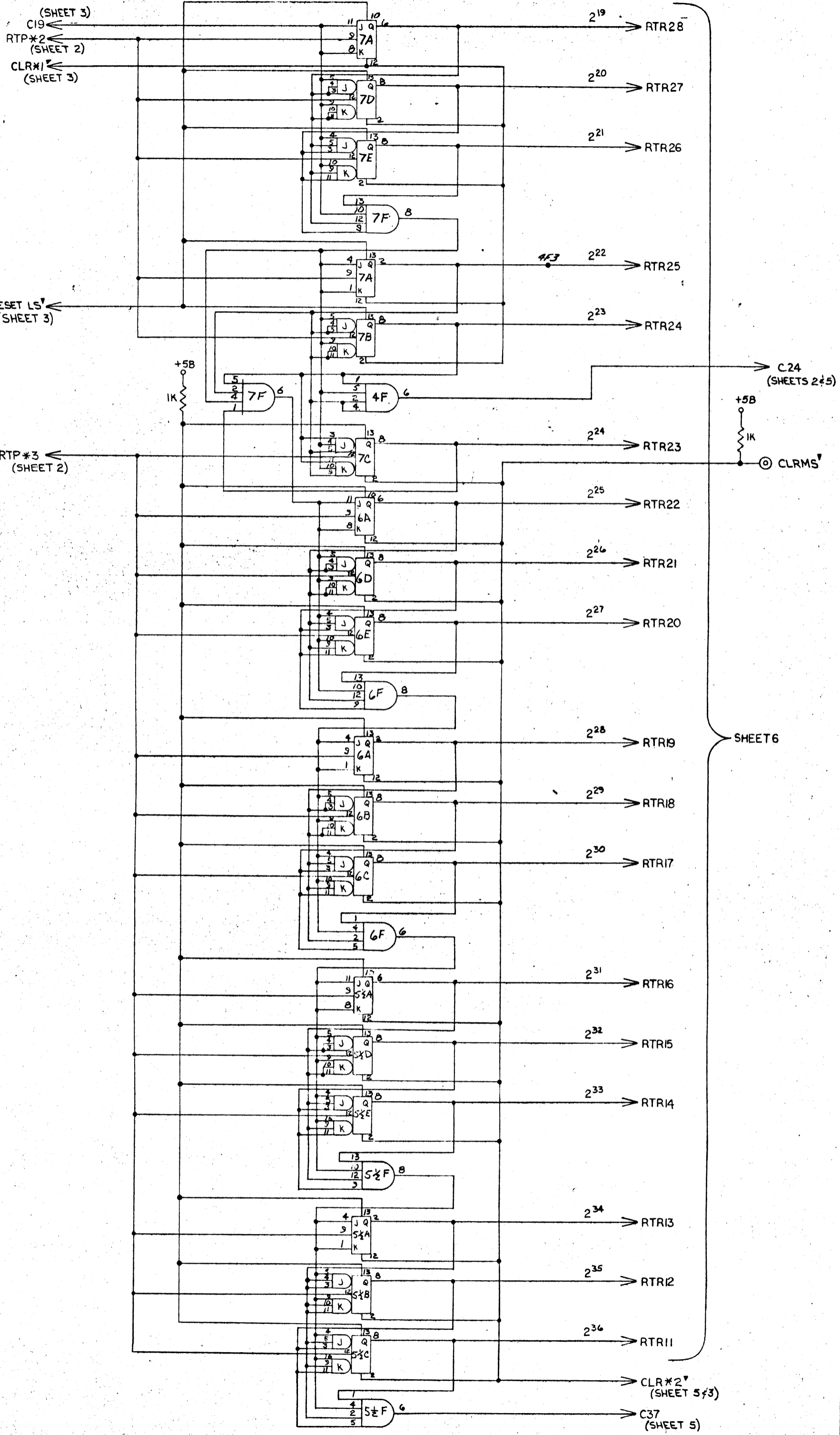
CLR\*1  
(SHEET 4)

C19  
(SHEET 4)

A30 CHIO

Berkeley Computer Corporation	
MODEL NONE	APPROVED BY: GCA
DATE: 9 SEP 1969	REVISED: 9-26-69
REAL TIME REGISTER (RTR)	
CHIO	WIA30 LOC 642

SH13 OF 6

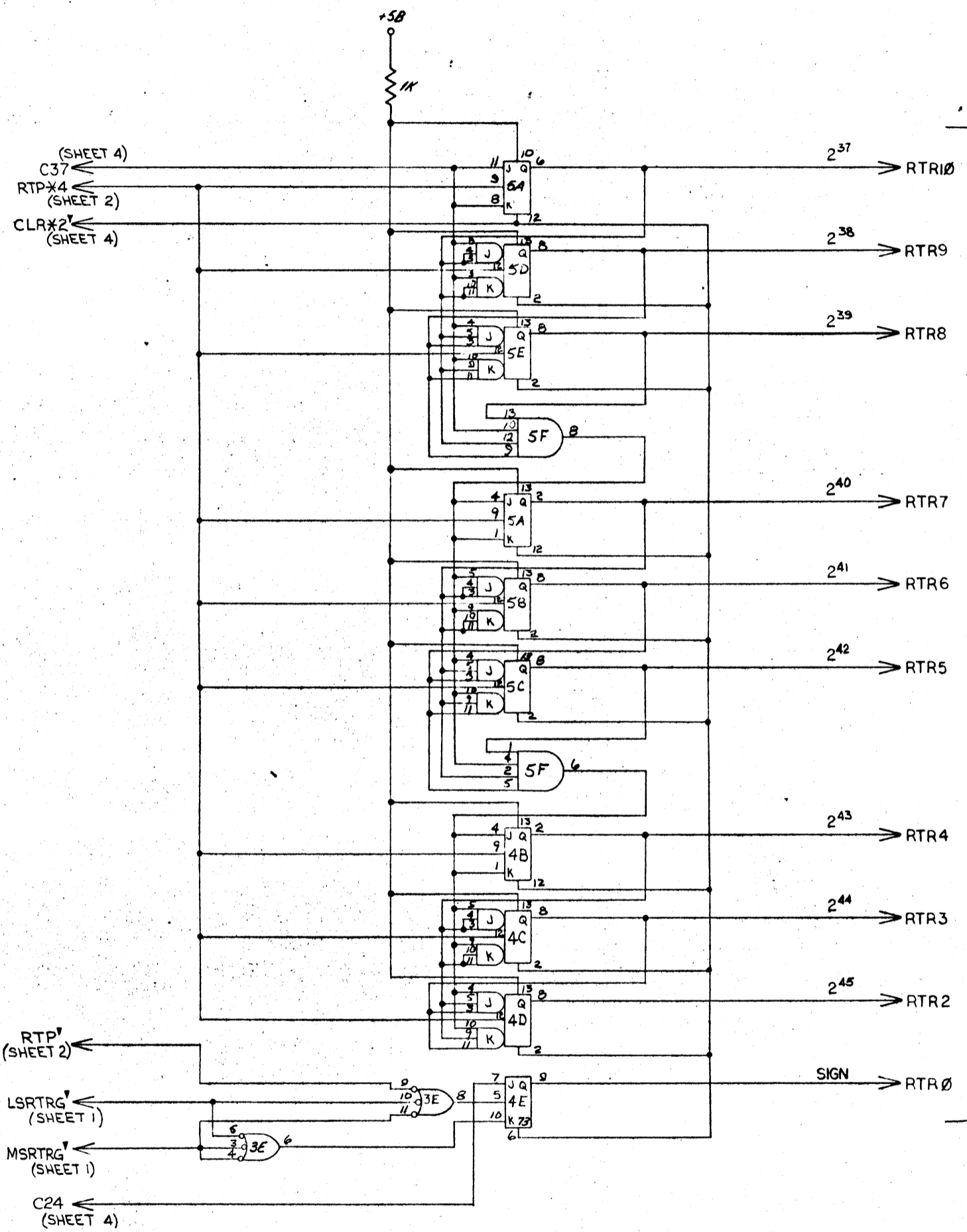


SHEET 6

A30 CHIO

Berkeley Computer Corporation	
MODEL NONE	APPROVED BY:
DATE: SEP 16 1969	REVISION: 9-26-69
REAL TIME REGISTER (RTR)	
CHIO	WIA30 L00642.0

SH140F6



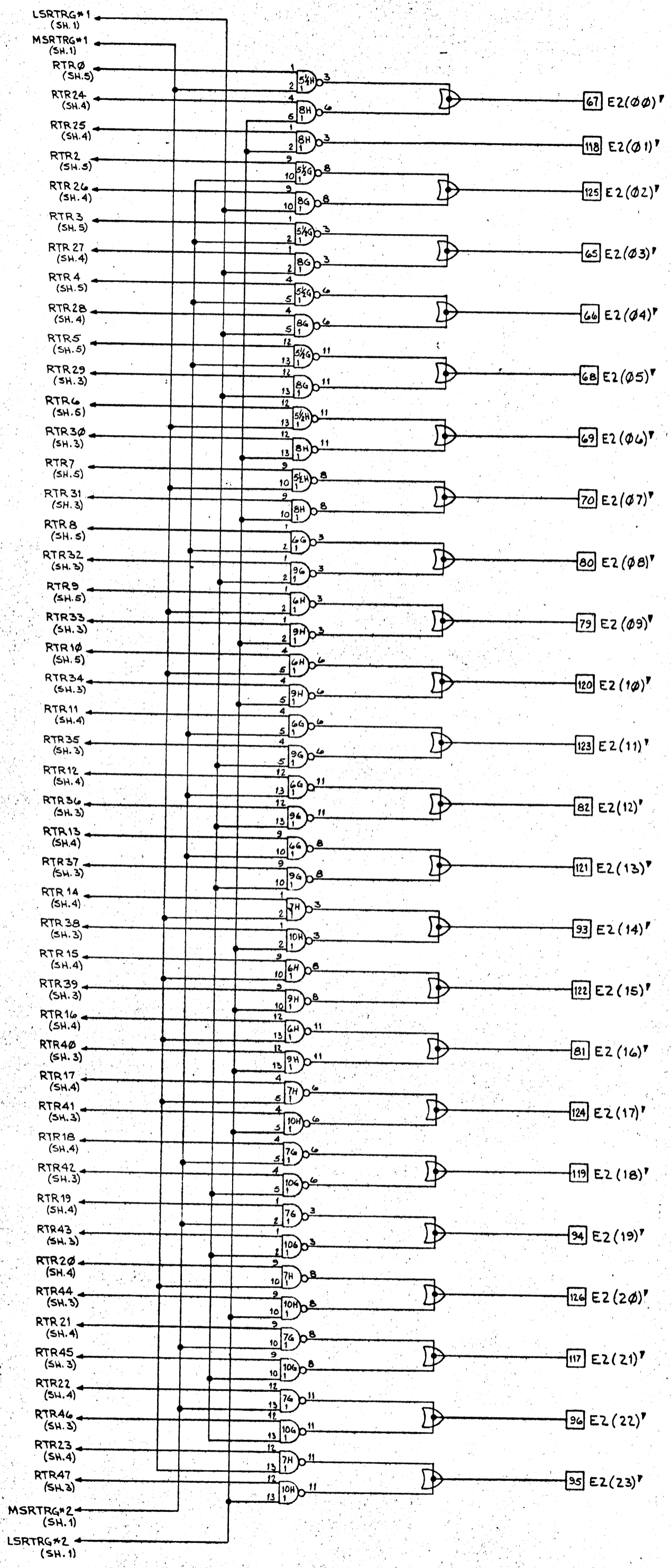
SHEET 6

A30 CH10

Berkeley Computer Corporation	
DATE: NONE	APPROVED BY: G.C.A.
DATE: 9SEPT69	DATE: 9-26-69
REAL TIME REGISTER (RTR)	
WIA30	LO0642.0

SHEET 5 OF 6

A 30 CH10



L 00642



DEFENSE COMPUTER CORPORATION

DESIGNED BY: S. DISASSANGE

DATE: 6/6

REVISED BY: MORENO

DATE: 6/6

REVISED BY: L 00642

REAL TIME REGISTER (RTR)

FIRST USED ON: M1 CH10

L 00642 .0