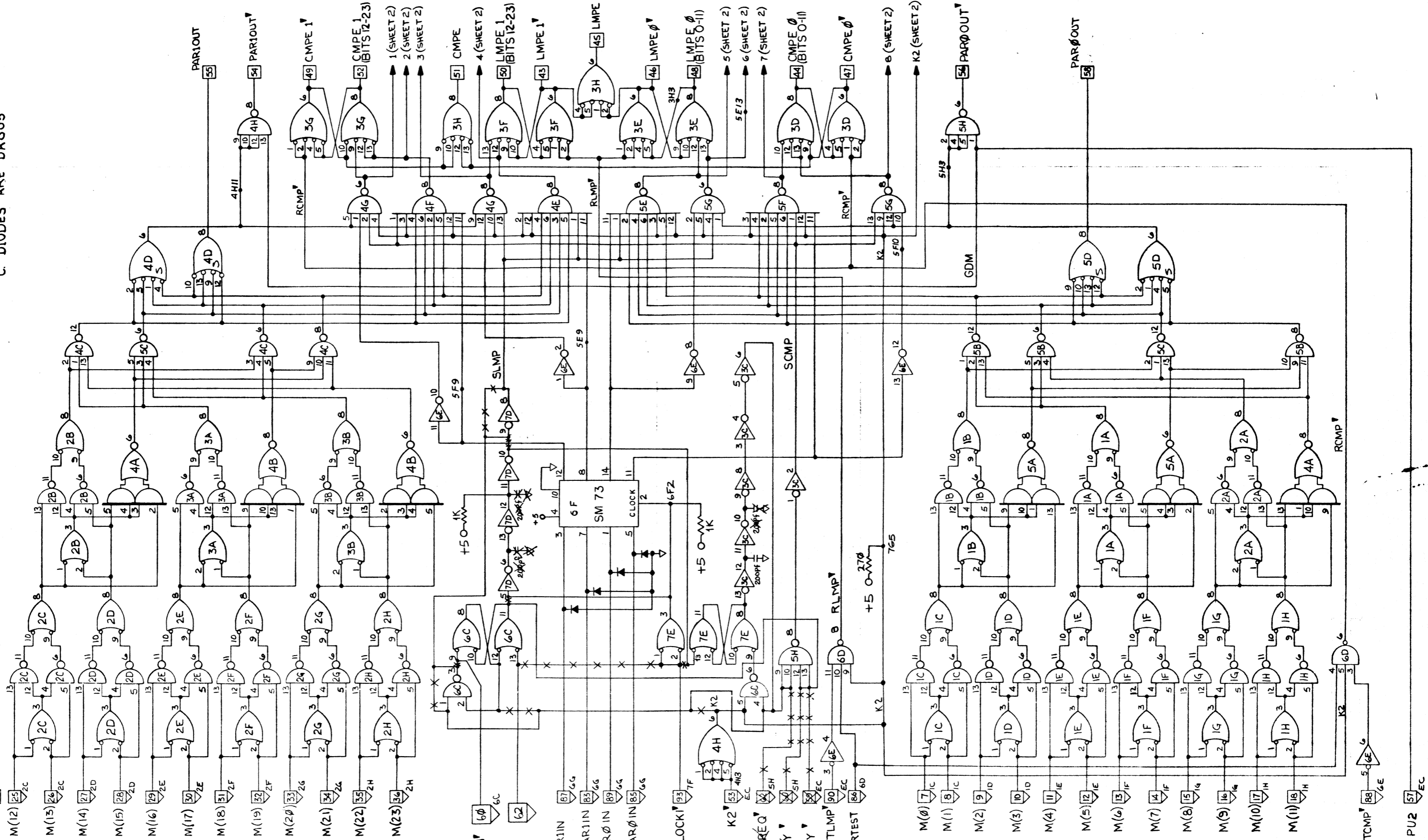


NOTES;

- 1. UNLESS OTHERWISE SPECIFIED;
- A. CAPACITORS ARE CD10070
- B. RESISTORS ARE 1/8W 10% CARBON COMP.
- C. DIODES ARE DA805

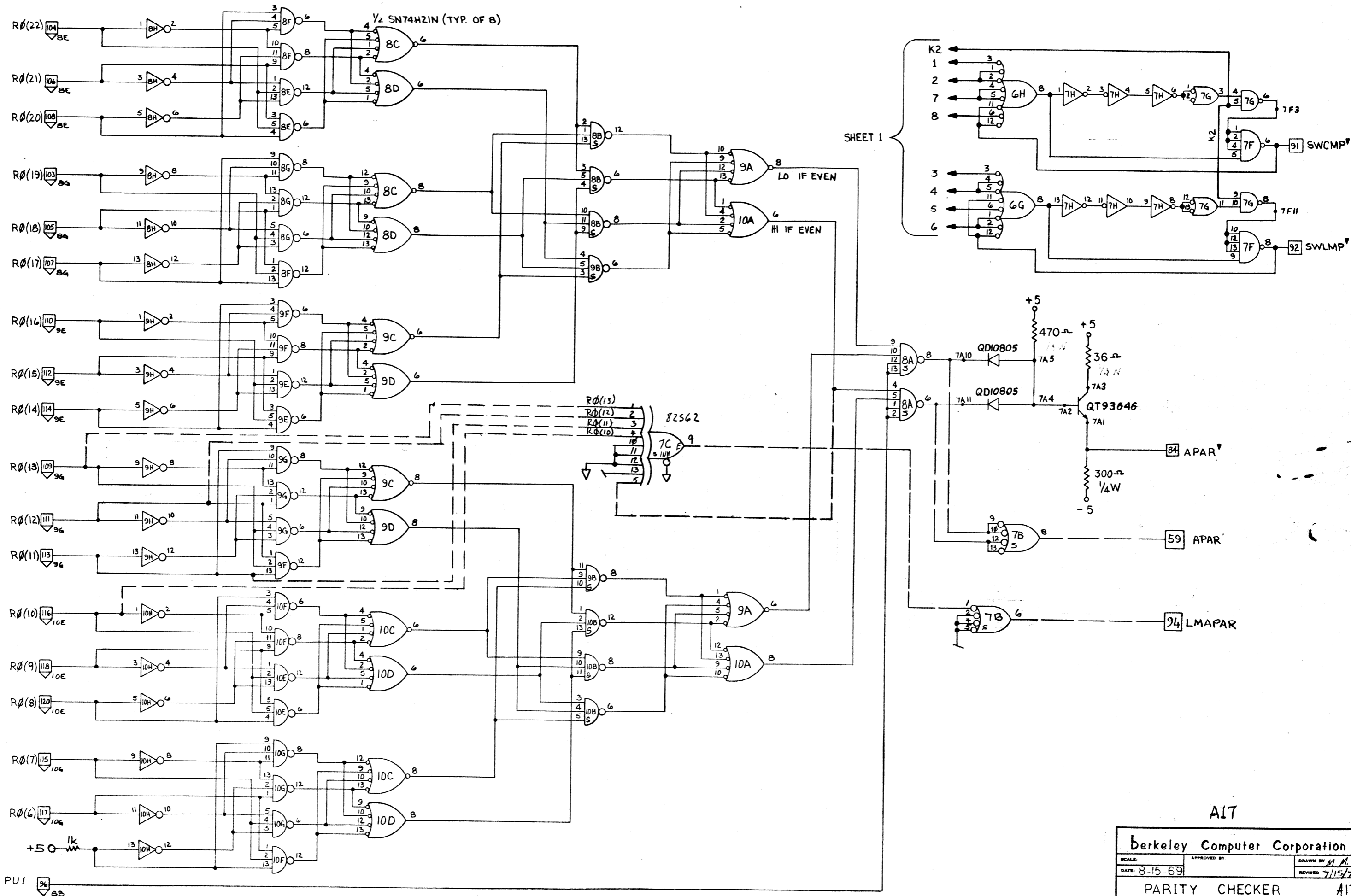
127 THRU 136
 1-6, 19-24, 37-42,
 61, 63-66, 73-82,
 95, 97-102, 121-126
 67 THRU 72

TYP. OF 80



A17

NO. DESCRIPTION		DATE	DRWN	APPROV
Berkeley Computer Corporation				
SCALE	APPROVED BY	DRAWN BY M.M.		
DATE 8-19-69		REVISED 12-24-69		
PARITY CHECKER		A17		
MASTER		DRAWING NUMBER LOO250.2		



SHEET 1

A17

Berkeley Computer Corporation		
SCALE:	APPROVED BY:	DRAWN BY M.M.
DATE: 8-15-69		REVISED 7/15/70
PARITY CHECKER		A17
MASTER		DRAWING NUMBER L00250.2

11224 PRINTED ON 8 1/2" X 11" GRAPHIC PAPER - 50%