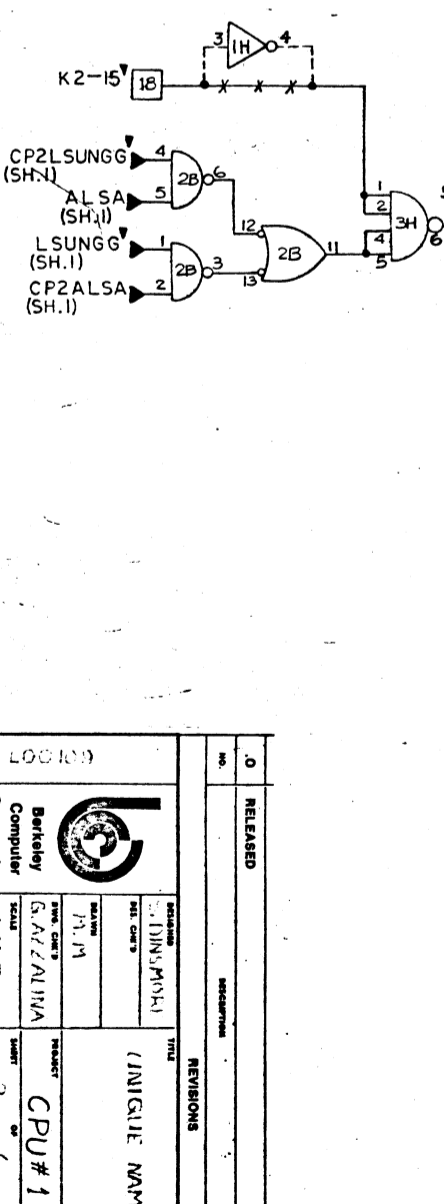
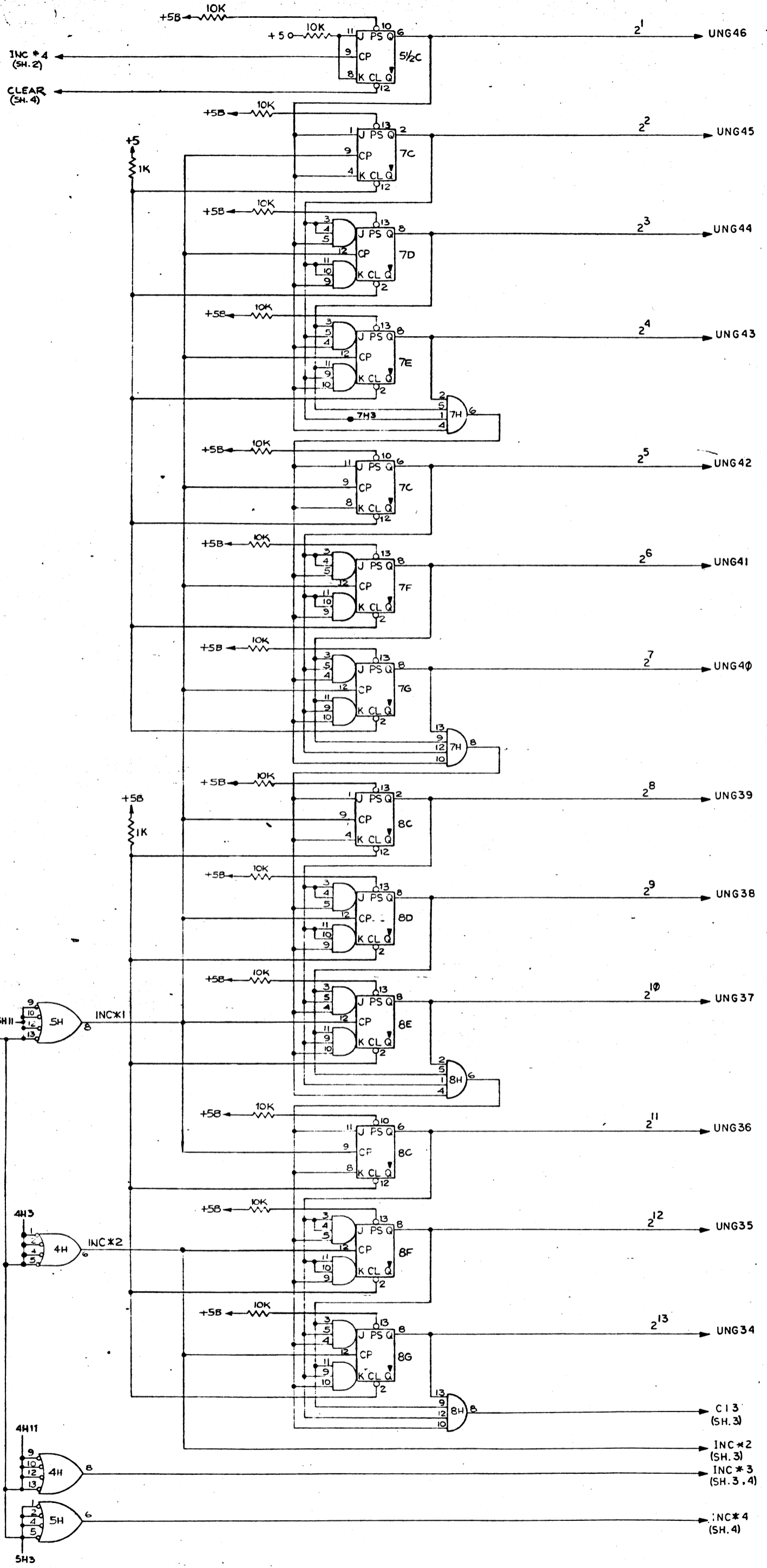
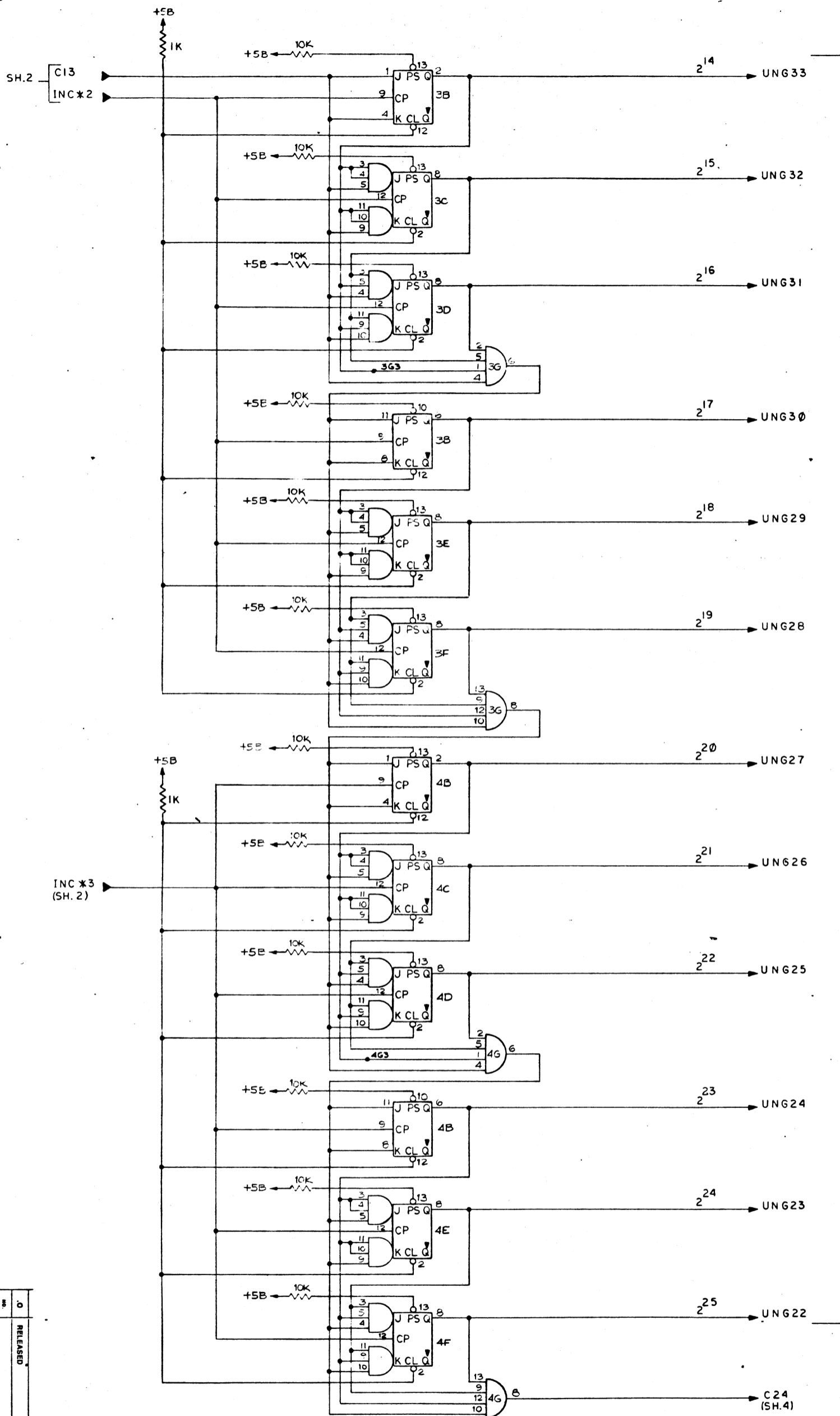


NOTES:
 1. UNLESS OTHERWISE SPECIFIED:
 ALL RESISTORS ARE 180 Ω, 1/8W,
 CARBON, 5%
 CAPACITORS ARE CD10070
 7. VOLTAGE FOR ALL IC'S IS +5B, AS SPECIFIED
 BY CABE.

| | | | | | |
|---------------------------------------|--|-----------------------------------|--|---------|------|
| LOG0109 | | 1 CHANGE SOME SIGNALS NAME | | 4/29/70 | MVI. |
| 0 RELEASED | | | | | |
| | | REVISIONS NO. DATE BY APPROVED | | | |
| TITLE UNIQUE WASTE GENERATOR (UNG) | | DRAWN BY M. AZZALINA | | | |
| CHECKED BY NONE | | PROJECT CPU#1 | | | |
| SCALE NONE | | SHEET 1 OF 6 | | | |
| NO. LOG0109 | | REV. NO. 11A33 | | | |



| | | | |
|-------------------------------|--|------------|--|
| NO. 100109 | | 0 RELEASED | |
| Berkeley Computer Corporation | | REVISIONS | |
| CPU # 1 | | DATE | |
| L00109.0 | | DRAWN | |
| UNIQUE NAME GENERATOR (UNG) | | APPROVED | |



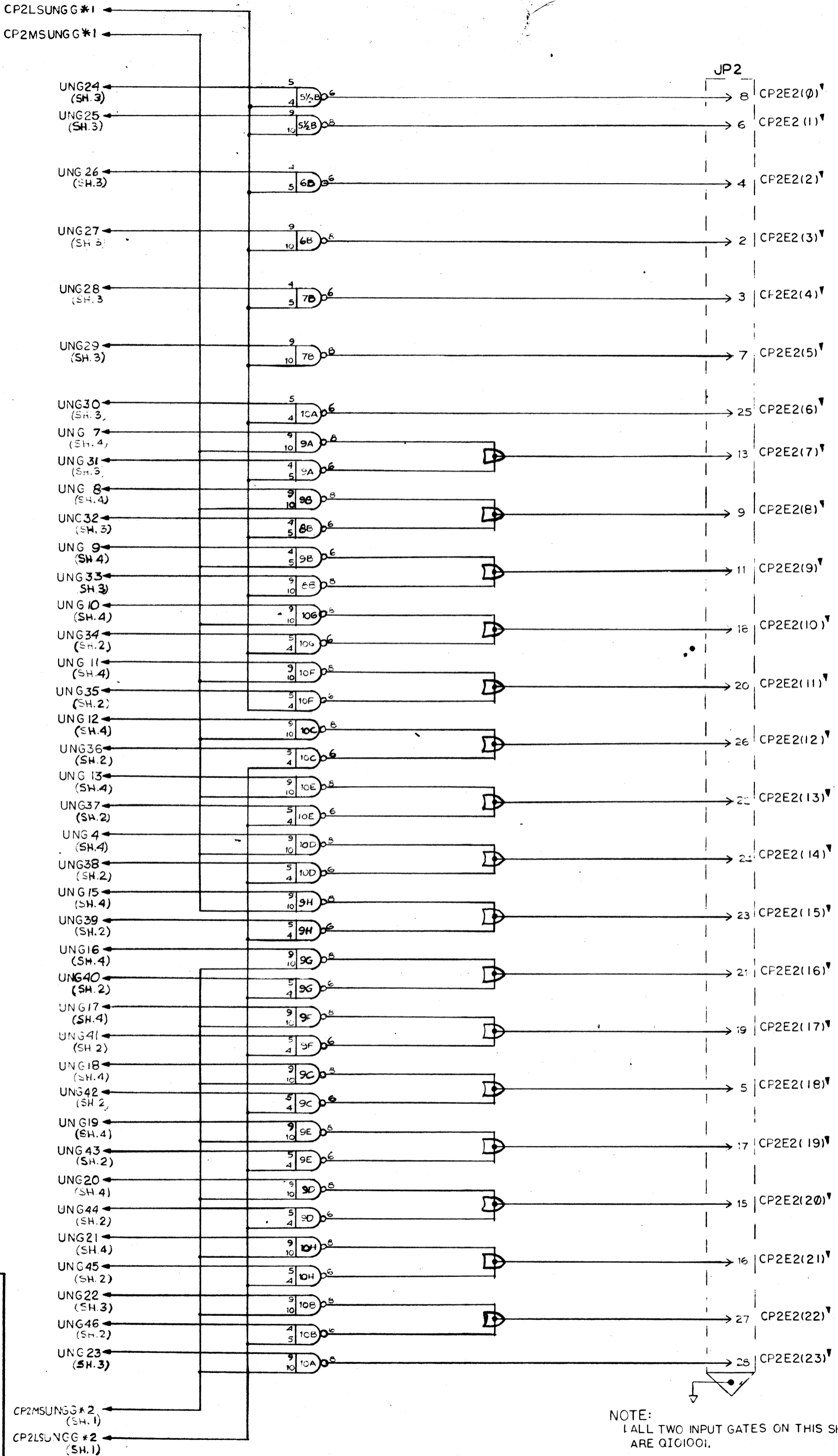
(SH. 5,6)

| | | |
|---|--|-----------|
| 0 | | RELEASED |
| NO. | | REVISIONS |
| DATE | | DATE |
| BY | | BY |
| APPROVED | | APPROVED |
| DESIGNER: SCHEIDT CHECKER: M/M DRAWN: G. AZZALINA TITLE: CPU*1 PROJECT: TIA33 NO. 3 of 6 L00109.0 | | |
| BERKELEY COMPUTER CORPORATION 2001 SHAW BLVD. BERKELEY, CALIF. 94704 | | |

L00109



UNIQUE NAME GENERATOR (UNG)



NOTE:
 1 ALL TWO INPUT GATES ON THIS SHEET
 ARE Q1G1001.

Berkeley Computer Corporation

UNIQUE NAME GENERATOR (UNG)

CPU # 1

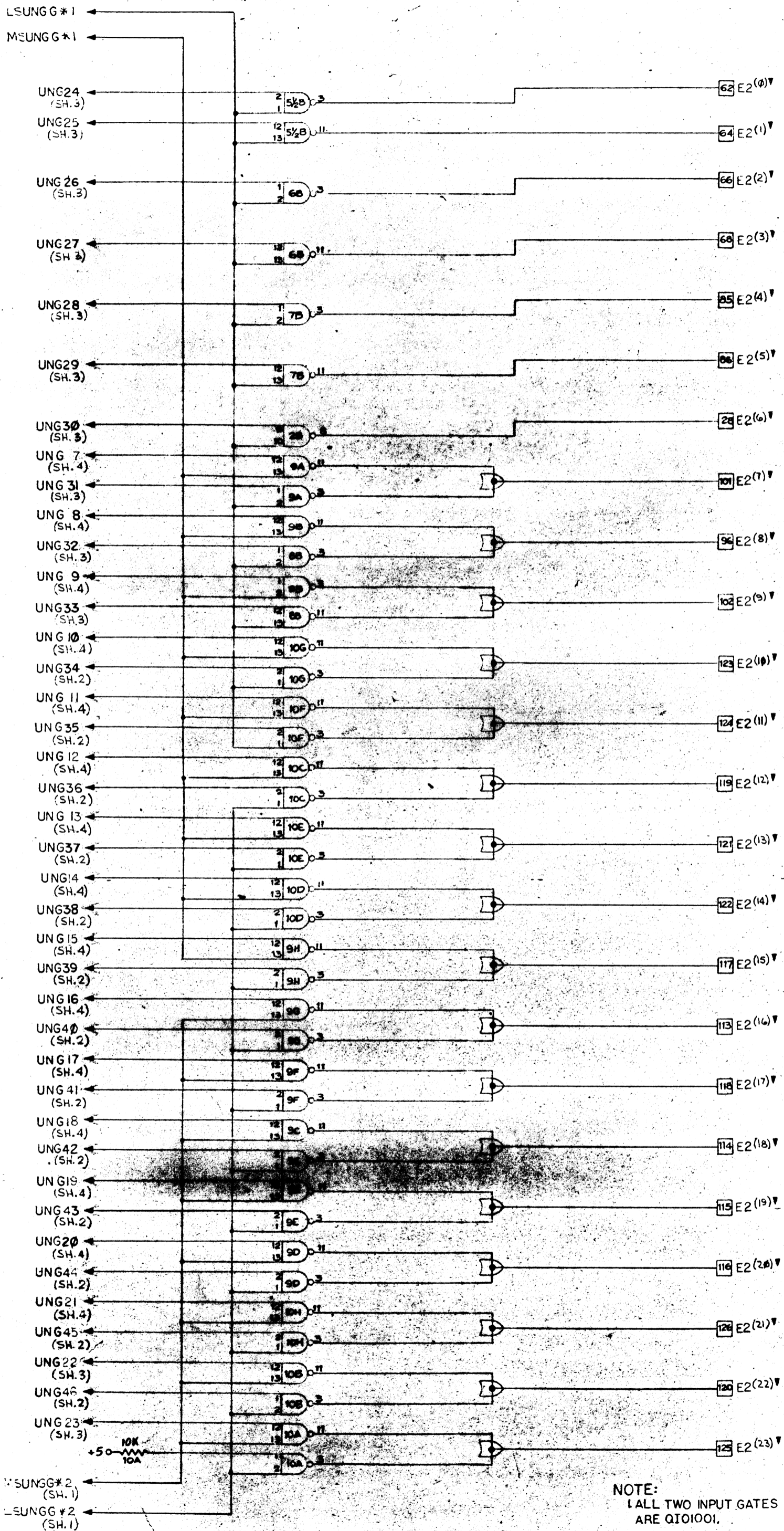
DATE: 9/26/69

REVISION: 9-26-69

DRAWING NUMBER: L001090

TIAS3

SHIT 5 OF 6



NOTE:
ALL TWO INPUT GATES ON THIS SHEET
ARE Q101001.

Berkeley Computer Corporation
 DRAWING NUMBER: L00109.0
 DATE: 9-26-65
 REVISED: 9-26-65
 DRAWN BY: GCA
 CHECKED BY: GCA
 CPU # 1 TIA 3