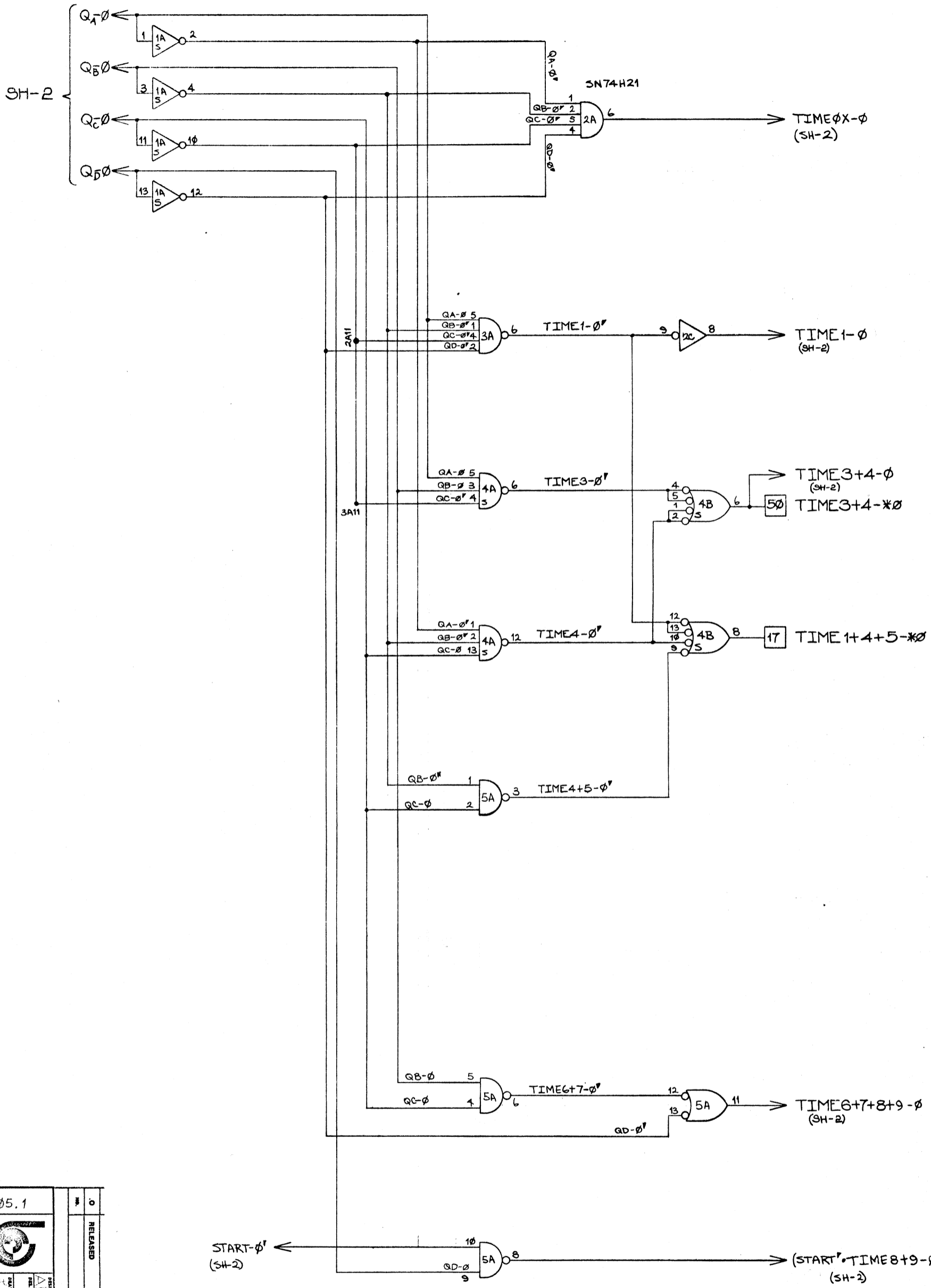
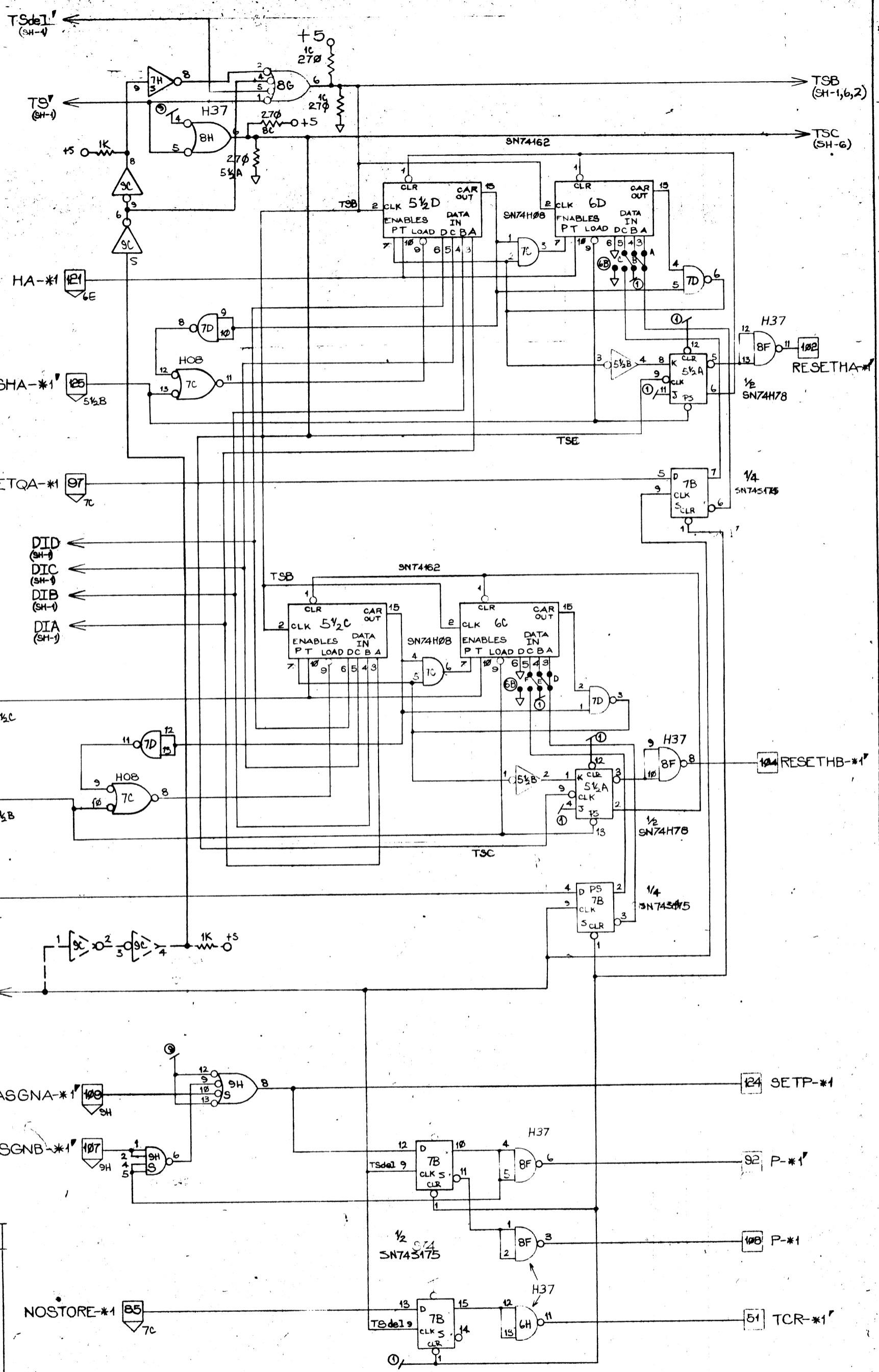


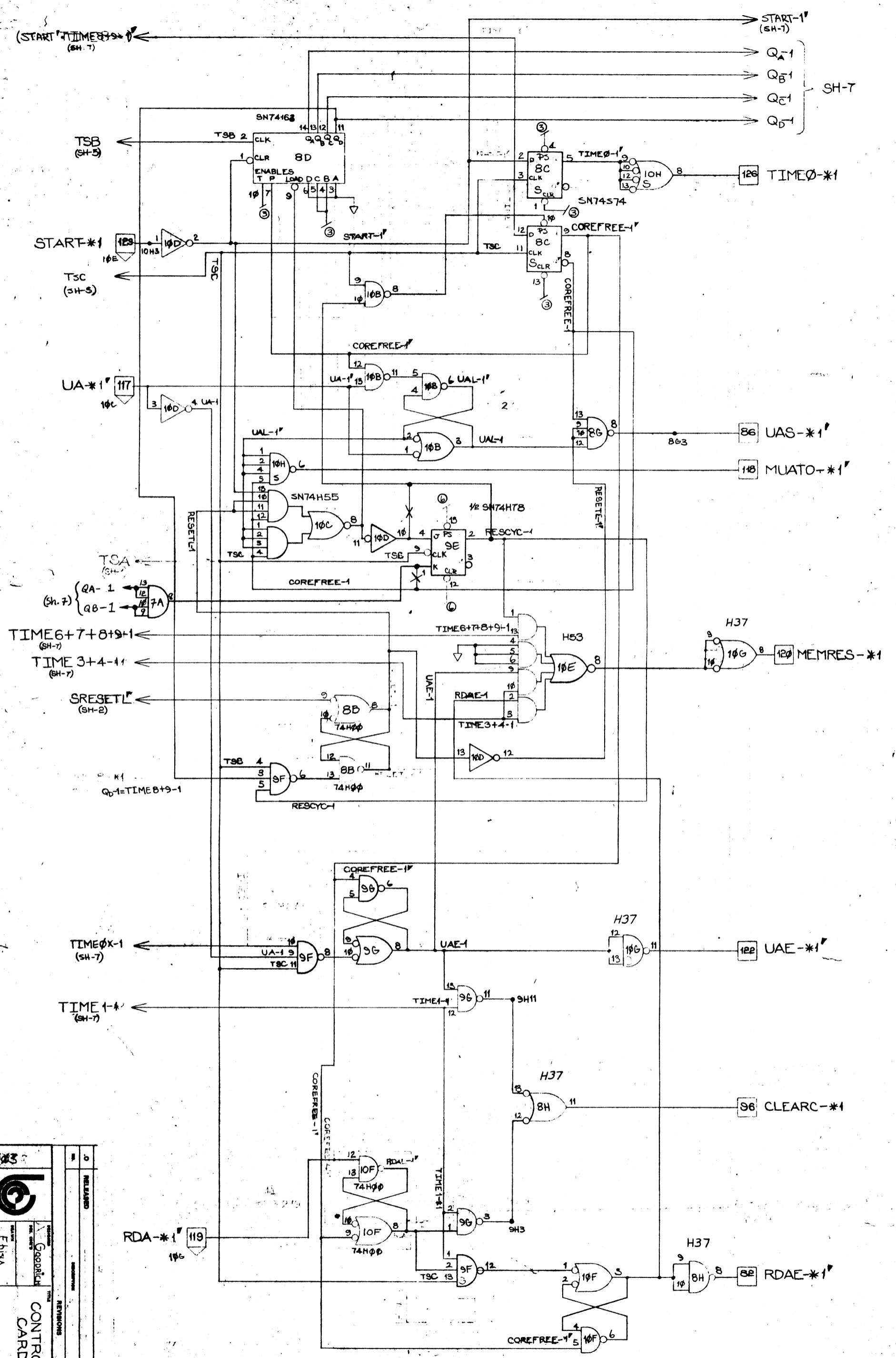
L01005		REVISED	DATE	BY	APP'D
		REVISION	DATE	BY	APP'D
		CONTROL CARD # 9			
2	8	L01005	.2		



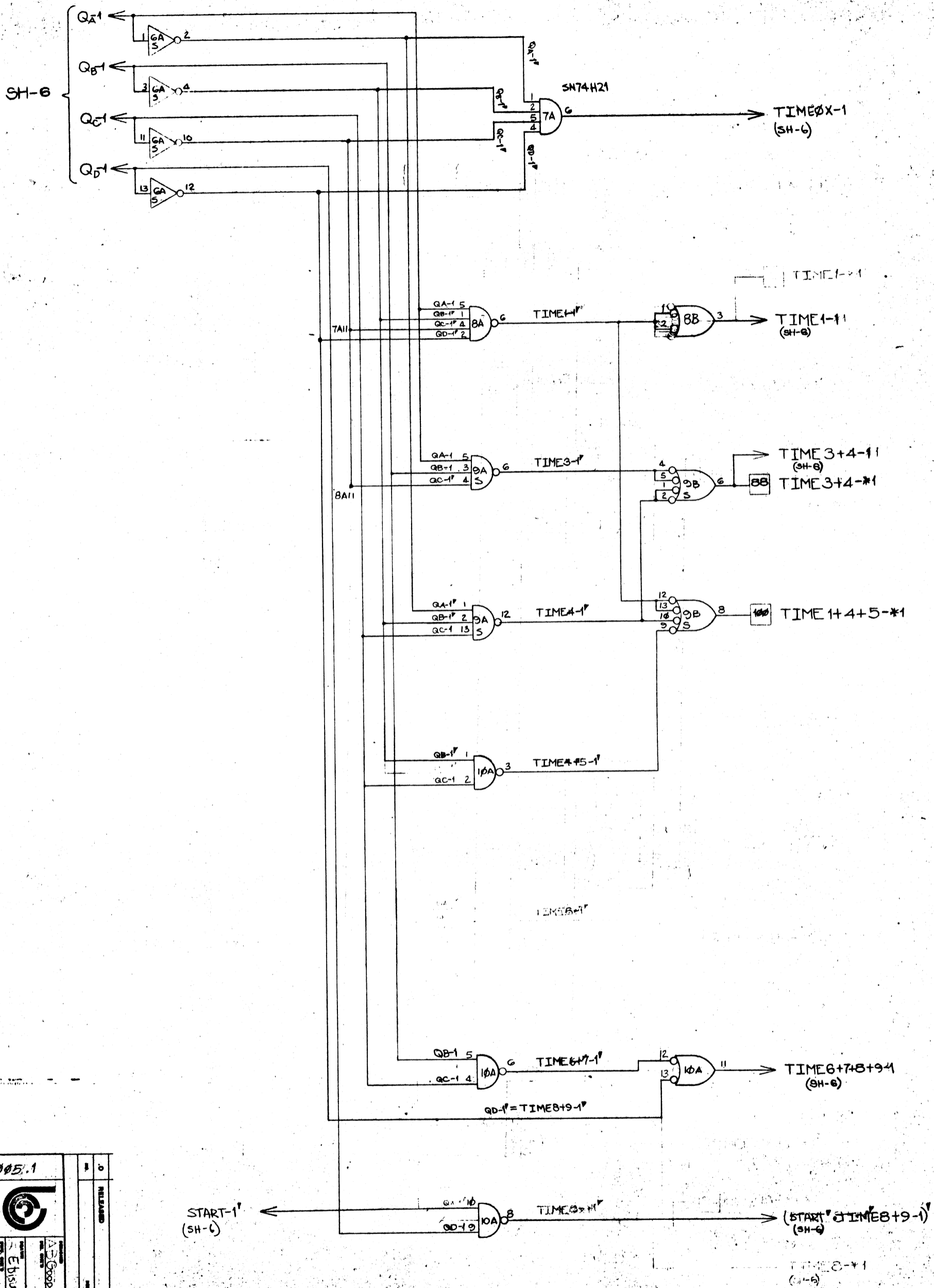
L01005.1		RELEASED	
Berkeley Computer Corporation 1700 Shattuck Ave., Berkeley, CA 94704		TITLE CONTROL CARD #3	
REV. CHG'S	SCALE	DATE	PROJECT
3	8	L01005	2
REVISIONS DATE NAME APPROV			



L01005		REVISIONS	
REV	DATE	BY	CHKD
1			
CONTROL CARD #3			
5	8	L01005	2



L01003
 RELEASED
 Berkeley
 Computer
 Corporation
 Elisha
 CONTROL
 CARD # 9
 6 8 L01003-1
 12



L01005.1

Berkeley Computer Corporation

AEG

Ebus

CONTROL CARD #3

7 8 L01005.1

REV	DATE	BY	CHKD

