

GDM-W900

SONY. **SERVICE MANUAL**

US Model
Canadian Model
AEP Model
Chassis No. SCC-K49A-A

CORRECTION-2

File this supplement with the service manual.

INTRODUCTION

A certain illustration of the exploded views was missing,
and therefore it is corrected here.

 : Indicates corrected portion



SECTION 6 EXPLODED VIEWS

NOTE:

- Items with no part number and no description are not stocked because they are seldom required for routine service.
- The construction parts of an assembled part are indicated with a collation number in the remark column.

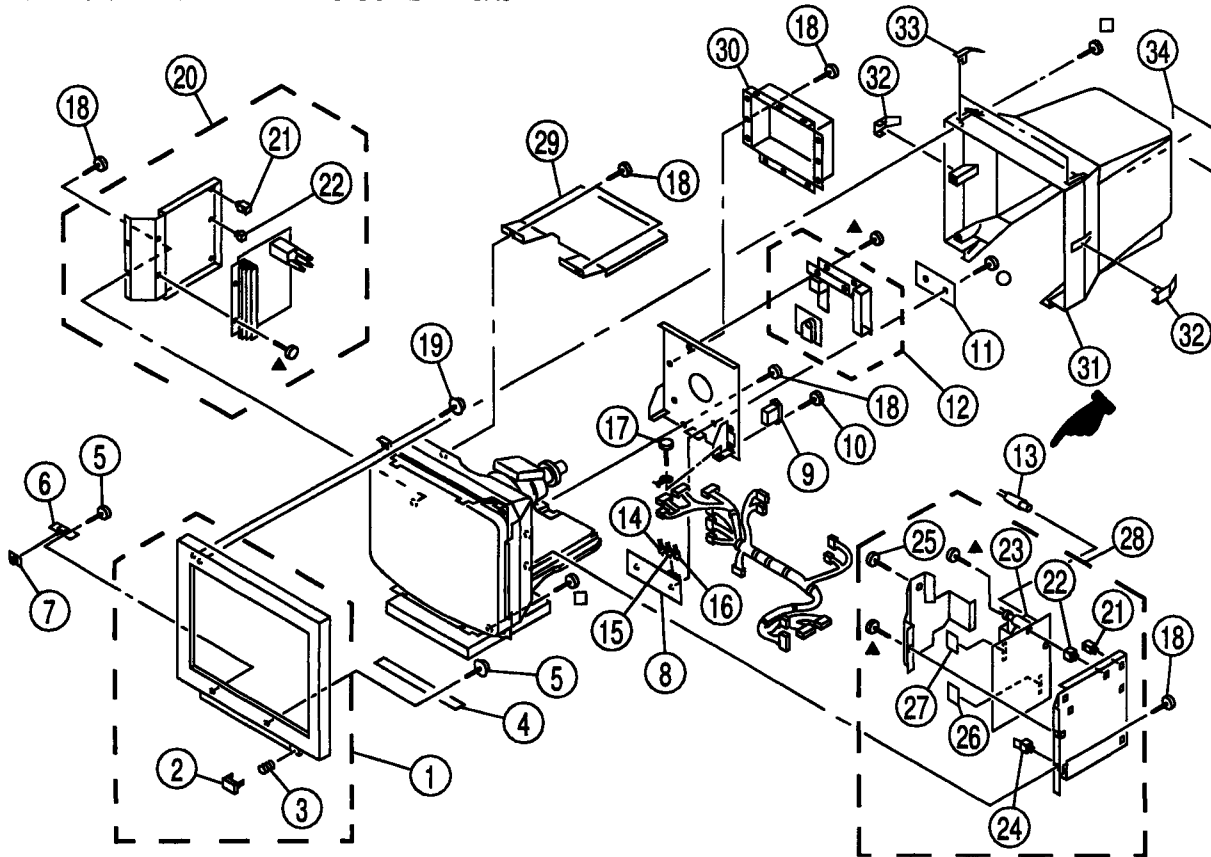
- Items marked " * " are not stocked since they are seldom required for routine service. Some delay should be anticipated when ordering these items.

The components identified by shading and mark Δ are critical for safety. Replace only with part number specified.

Les composants identifiés par un tramé et une marque Δ sont critiques pour la sécurité. Ne les remplacer que par une pièce portant le numéro spécifié.

6-1. CHASSIS (See page 56)

- ▲ 7-685-647-79 +BVTP 3X10
- 7-685-663-71 +BVTP 4X16
- 7-682-548-04 +BV TAPPING SCREW M3X8



REF.NO.	PART NO.	DESCRIPTION	REMARK	REF.NO.	PART NO.	DESCRIPTION	REMARK
1	X-4033-919-1	BEZEL ASSY	2, 3	19	4-046-765-01	SCREW, TAPPING	
2	4-055-556-01	BUTTON, POWER		20	* 8-933-213-00	DEFLECTION MCB ASSY (D BLOCK ASSY)	.21, 22
3	4-042-593-01	SPRING, COMPRESSION		21	* 3-701-903-11	HOLDER, PC BOARD	
4	* 8-933-217-00	CONTROL BLOCK BOARD (H1 BOARD, COMPLETE)		22	* 4-382-848-01	HOLDER, PCB	
5	4-029-432-01	SCREW (3X12), (+) BVWHTP		23	Δ * X-4034-094-1	TRANSFORMER ASSY, FLYBACK (NX-4202/J1D4)	
6	* 8-933-218-00	INPUT SW BOARD (H2 BOARD, COMPLETE)		24	* 3-703-141-00	HOLDER, PCB	
7	4-055-558-01	COVER, SLIDE SWITCH		25	4-382-854-11	SCREW (M3X10), P. SW (+)	
8	* 8-933-216-00	M BOARD, COMPLETE		26	Δ * 8-933-220-00	POWER BLOCK MCB (GA BOARD, COMPLETE)	
9	Δ 1-251-382-12	INLET, AC 3P (WITH NOISE FILTE)		27	Δ * 8-933-221-00	POWER BLOCK MCB (GB BOARD, COMPLETE)	
10	4-052-345-01	SCREW, (3X8) (+K), TAPPING		28	Δ * 8-933-219-00	POWER BLOCK ASSY (G BLOCK ASSY) 21-27	
11	4-055-730-01	LABEL, CONNECTOR		29	* 4-055-732-01	COVER, TOP	
12	* 8-933-200-00	VIDEO AMP MCB ASSY (A BOARD, COMPLETE)		30	* 4-055-731-01	SHIELD, VIDEO	
13	1-900-215-90	CONNECTOR ASSY		31	4-055-559-01	CABINET	
14	* 1-777-729-31	CABLE, COAXIAL (B)		32	4-055-563-01	COVER (S), SCREW	
15	* 1-777-729-21	CABLE, COAXIAL (G)		33	4-055-562-01	COVER (T), SCREW	
16	* 1-777-729-11	CABLE, COAXIAL (R)		34	* 4-055-595-01	LABEL, INFORMATION	
17	4-389-025-01	SCREW (M4) (EXT TOOTH WASHER)					
18	4-381-962-11	SCREW (M4X8), TAPPING, (+-) (BV)					

Sony Corporation
Display Company
Computer Display Dept.

English
97JL05204-1
Printed in Japan
© 1997.10