

BLOCK DIAGRAM PM DG/8

OMNIBUS IS A REGISTERED TRADEMARK OF D.E.C.

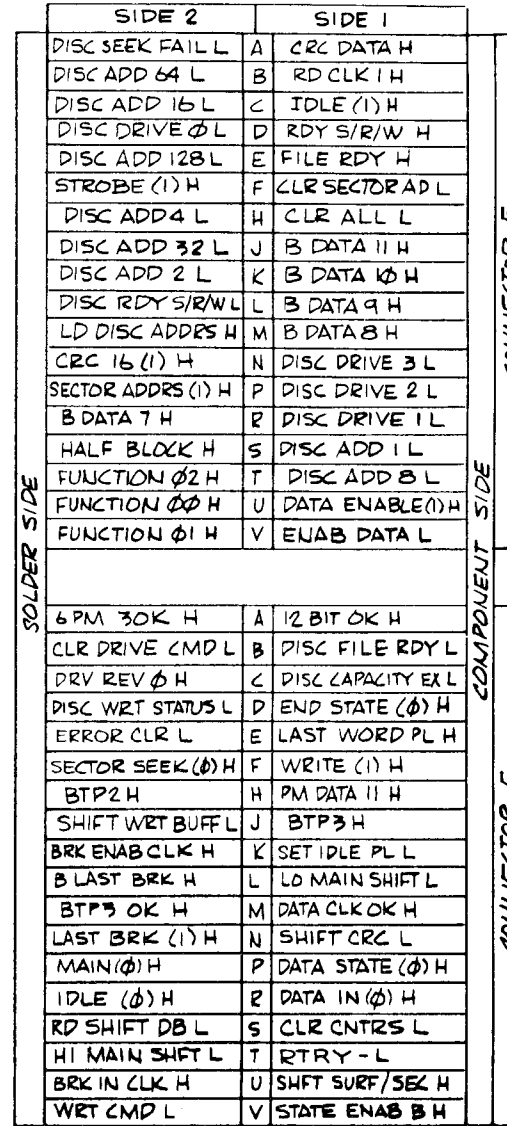
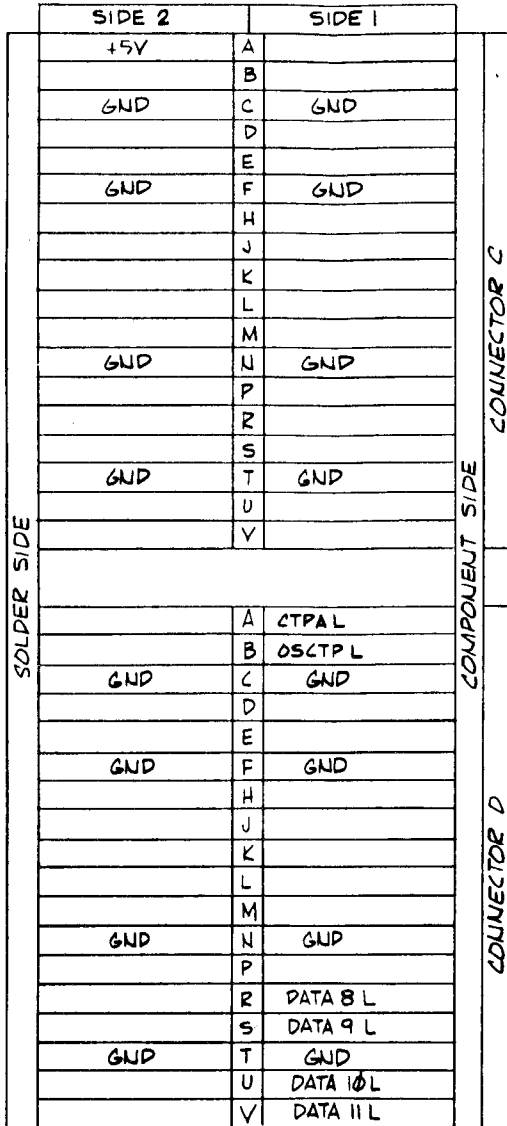
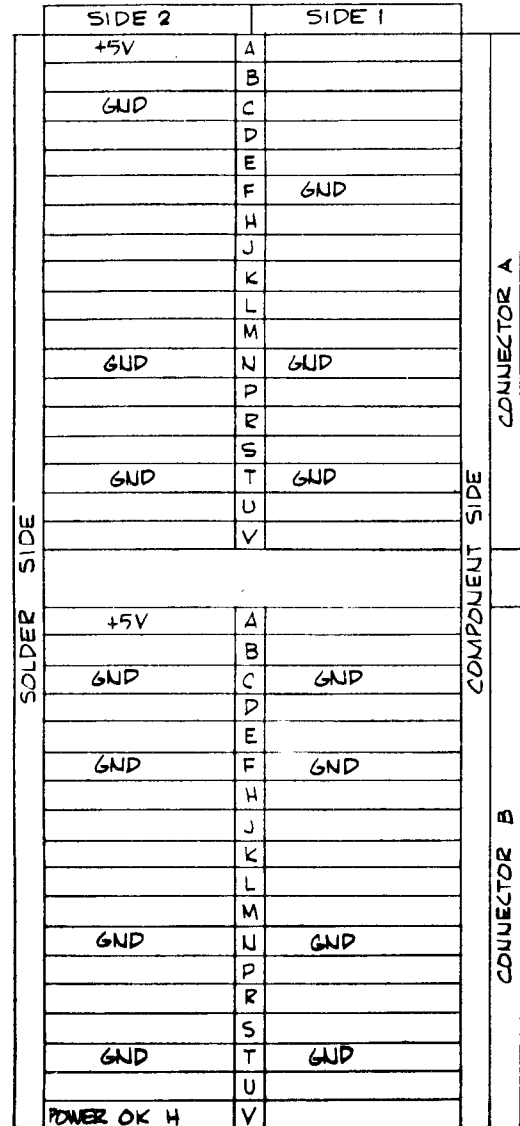
The information hereon is the property of PLESSEY MEMORIES INCORPORATED. Transmittal, receipt, or possession of the information does not comply, license, or imply any rights to use, sell, or manufacture from this information and no reproduction or publication of it, in whole or part, shall be made without written authorization from PLESSEY MEMORIES, INC.		SIZE A	CODE IDENT NO. 52648	DWG NO. MA 700655
SCALE	REV	SHEET 3		

The information herein is the property of PLESSEY MEMORIES INCORPORATED. Transmittal, receipt or possession of the information does not constitute, license, or imply any rights to use, sell, or manufacture from this information and no reproduction or publication of it, in whole or in part, shall be made without written authorization from PLESSEY MEMORIES INC.

REVISIONS				
ZONE	LTR	DESCRIPTION	DATE	APPROVED
-		REL TO PROD PER ERO 500708	1-15-76	AB
A		INCORPORATED EO # 1173	5-13-76	AB
B		INCORPORATED EO 1214	6-1-76	AB
C		INCORPORATED EO 1268	9-2-76	AB

LAST DESIGNATION USED	
RESISTOR	R24
CAPACITOR	C45
INTEGRATED CIRCUIT	U55
RESISTOR MODULE	RU4
CRYSTAL	Y1

REF DES	GATES USED PER TOTAL	PART NO.
J7	4/5	74HO4
U35	5/6	7404
U36	3/6	7404
U42	3/4	7404-380
U44	1/2	75452
U51	1/2	74H76



1		21	DISC ADD 1 L
2	GND	22	GND
3	DISC CAPACITY EX L	23	DISC DRIVE 0 L
4	GND	24	GND
5	DISC SEEK FAIL L	25	DISC ADD 32 L
6	GND	26	GND
7	DISC ACKNOWLEDGE L	27	DISC RDY S/R/W L
8	GND	28	GND
9	DISC SEC 2 L	29	DISC ADD 128 L
10	GND	30	GND
11	DISC DRIVE 3 L	31	DISC WRT CLK DAT AT L
12	GND	32	GND
13	DISC RESTORE L	33	DISC ADD 16 L
14	GND	34	GND
15	DISC DRIVE 2 L	35	DISC ADD 64 L
16	GND	36	GND
17	DISC ADD 4 L	37	DISC ADD 2 L
18	GND	38	GND
19	DISC DRIVE 1 L	39	DISC ADD 8 L
20	GND	40	GND

1	GND	21	GND
2	GND	22	DISC INDEX MK L
3	GND	23	GND
4	DISC DATA IN L	24	DISC WRT-ERASE GATE L
5	GND	25	GND
6	DISC RD CLK L	26	DISC SEC 1 L
7	GND	27	GND
8	DISC WRT PROT L	28	DISC SEC 4 L
9	GND	29	GND
10	DISC READ L	30	
11	GND	31	GND
12		32	DISC SEC 8 L
13	GND	33	GND
14	DISC WRT STATUS L	34	
15	GND	35	GND
16	DISC SECTOR MK L	36	DISC STROBE L
17	GND	37	GND
18	DISC FILE RDY L	38	POWER OK H
19	GND	39	GND
20	DISC HEAD SEL L	40	

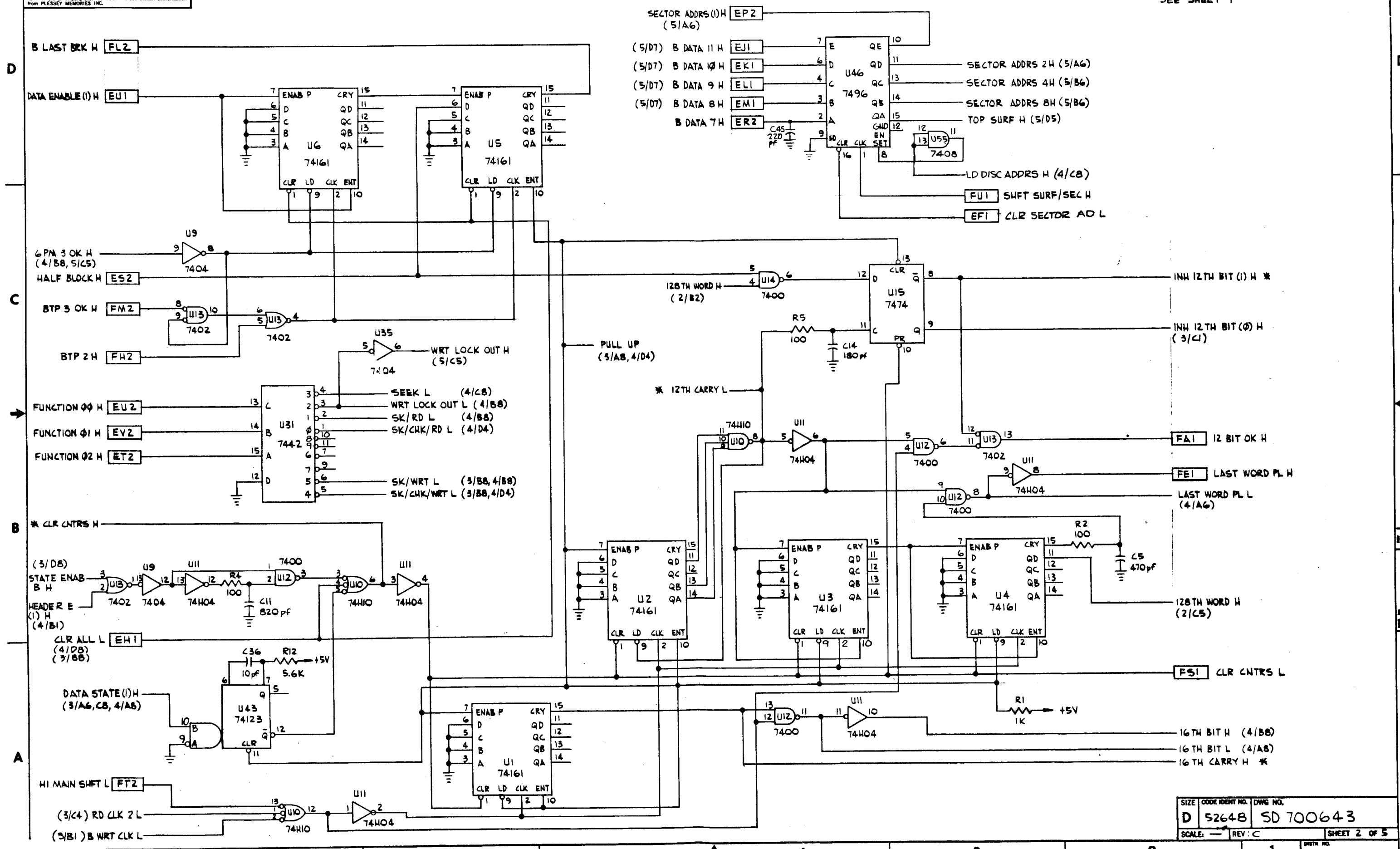
7. COMPONENTS ARE LAB SET. TO BE SET PER TEST SPEC TS700643.
6. ALL CAPACITORS ARE IN MICROFARADS.
5. * INDICATES SIGNAL NOT USED ON THIS PARTICULAR BOARD.
4. DESIGNATIONS SHOWN IN PARENTHESIS (2/A1) INDICATES WHERE SIGNAL ORIGINATES OR TERMINATES.
3. SIGNALS SHOWN IN RECTANGLE [AA] ARE I/O CONNECTIONS BOARD SIDE
2. FOR ASSEMBLY SEE DWG. 700643.
1. ALL RESISTORS ARE IN OHMS, ±5%, 1/4 W.
- NOTES: UNLESS OTHERWISE SPECIFIED.

PRODUCTION RELEASE

PART/ASSY NO. & QTY PER ASSY		PARTS LIST		SPEC/SOURCE	CODE IDENT NO.	FIND NO.
PART/ASSY REV LTR		CONTRACT NO.		Plessey Memories Incorporated		
DO NOT SCALE DRAWING		DRAWN KRAVANIS 1-15-76		DWG TITLE		
SCREW THREADS PER HANDBOOK H-88		CHECKED <i>D. Turk</i> 2-17-76		SCHEMATIC DIAGRAM		
COUNTERBORE AND SPOTFACE FILLET RADI TO BE .010 MAXIMUM		ENGR		CONTROL PM-DC/8		
REMOVE ALL BURRS AND BREAK SHARP EDGES EQUIVALENT TO .010		PROJ. ENGR. <i>H. Turk</i> 2-17-76		SIZE CODE IDENT NO. DWG NO.		
ROUGHNESS OF MACHINED SURFACES 125 PER USAS B41.1		PROD. DESIGN <i>J. Turk</i> 2-17-76		D 52648 SD700643		
STANDARD HOLE TOLERANCE PER AND 1987		OTHER APPROVALS		SCALE: - REV: C SHEET 1 OF 9		
TOLERANCES DIM. XX = ±.005 XXX = ±.002 ANGLE = ±.5°				DISTR. NO.		
INTERPRET DIMENSIONS AND TOLERANCES PER USAS Y14.1						
DIMENSIONS ARE IN INCHES AND APPLY AFTER HEAT TREAT AND FINISH UNLESS OTHERWISE SPECIFIED						
NEXT ASSY USED ON APPLICATION						

The information herein is the property of PLESSEY MEMORIES INC. TRANSMITTAL, receipt or possession of the information does not imply any rights to use, sell, or manufacture from this information and no reproduction or publication of it, in whole or in part, shall be made without written authorization from PLESSEY MEMORIES INC.

ZONE/LTR		DESCRIPTION	DATE	APPROVED
		SEE SHEET 1		

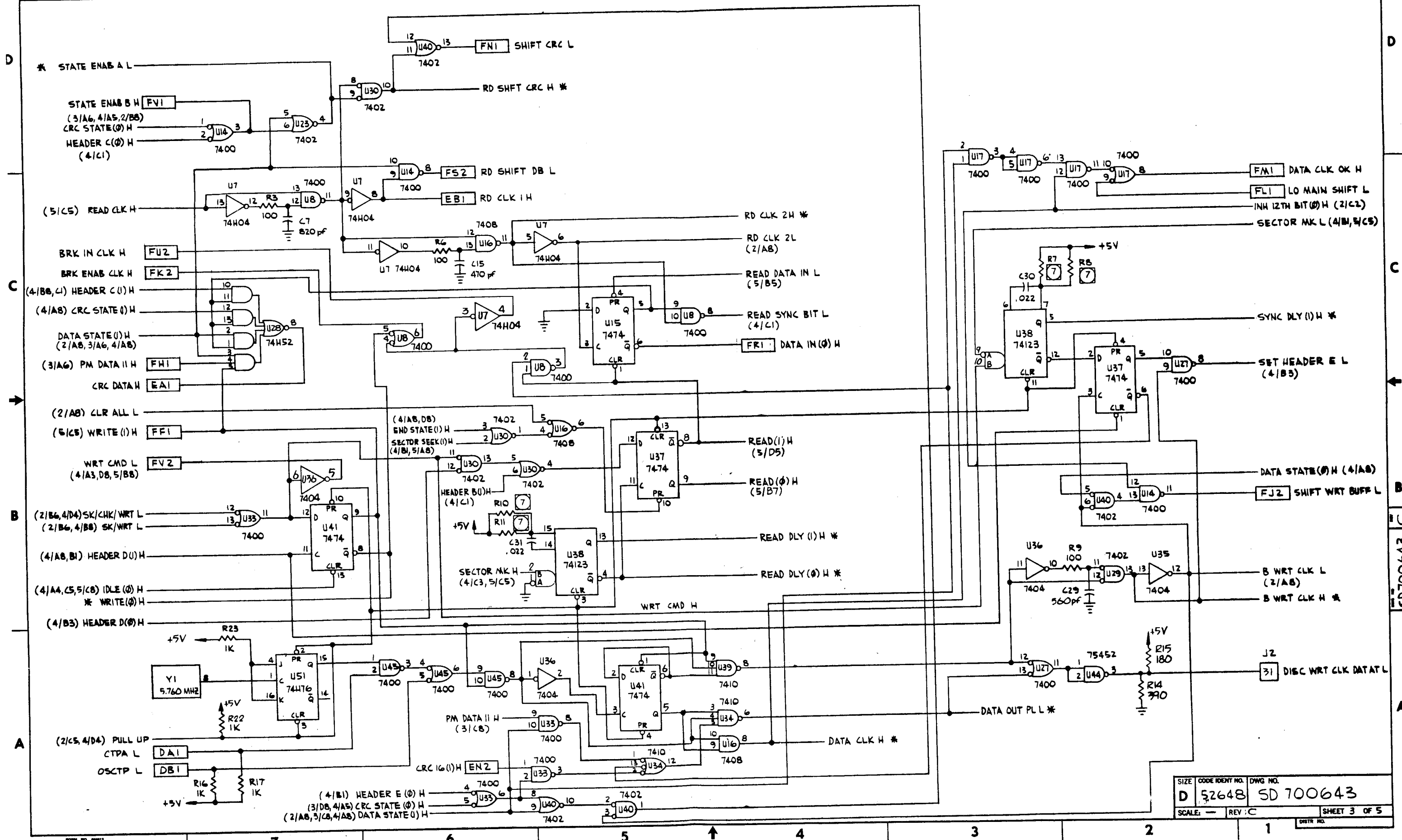


- SECTOR ADDR (1) H (5/A6) EP2
- (5/D7) B DATA 11 H (EJ1)
- (5/D7) B DATA 10 H (EK1)
- (5/D7) B DATA 9 H (EL1)
- (5/D7) B DATA 8 H (EM1)
- B DATA 7 H (ER2)
- SECTOR ADDR 2 H (5/A6)
- SECTOR ADDR 4 H (5/B6)
- SECTOR ADDR 8 H (5/B6)
- TOP SURF H (5/D5)
- LD DISC ADDR H (4/C8)
- SHFT SURF/SEC H (FU1)
- CLR SECTOR AD L (EF1)

SIZE	CODE IDENT NO.	DWG NO.
D	52648	SD 700643
SCALE	REV: C	SHEET 2 OF 5

The information herein is the property of PLESSEY MEMORIES INCORPORATED. Transmittal, receipt or possession of the information does not imply any rights to use, sell, or manufacture from this information and no reproduction or publication of it, in whole or in part, shall be made without written authorization from PLESSEY MEMORIES INC.

REVISIONS				
ZONE	LTR	DESCRIPTION	DATE	APPROVED
		SEE SHEET 1		

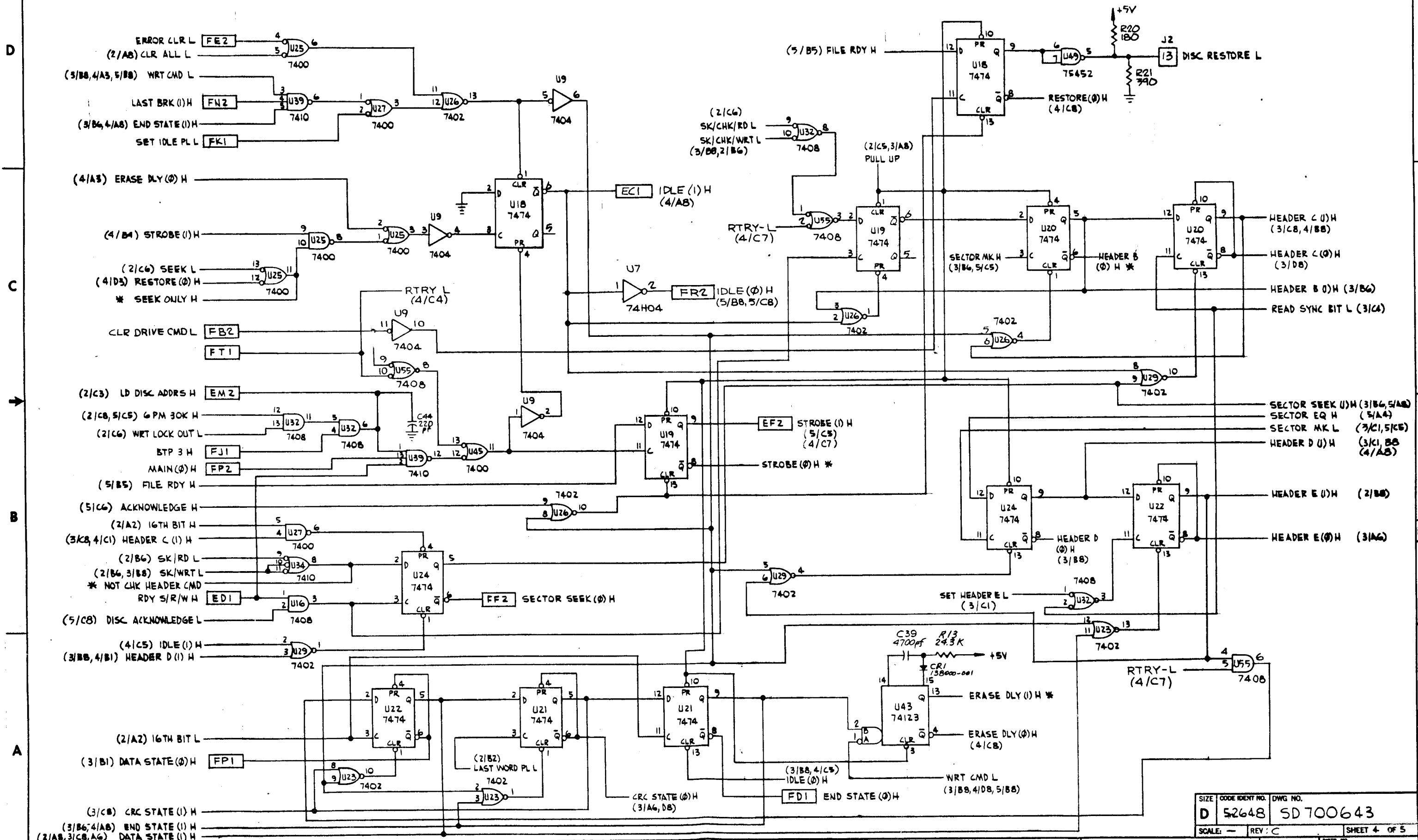


SIZE	CODE IDENT NO.	DWG NO.
D	52648	SD 700643
SCALE: —	REV: C	SHEET 3 OF 5

SD700643

The information herein is the property of PLESSEY MEMORIES INCORPORATED. Transmittal, receipt or possession of this information does not confer, license, or imply any rights to use, sell, or manufacture from this information and no reproduction or publication of it, in whole or in part, shall be made without written authorization from PLESSEY MEMORIES INC.

REVISIONS				
ZONE	LTR	DESCRIPTION	DATE	APPROVED
		SEE SHEET 1		

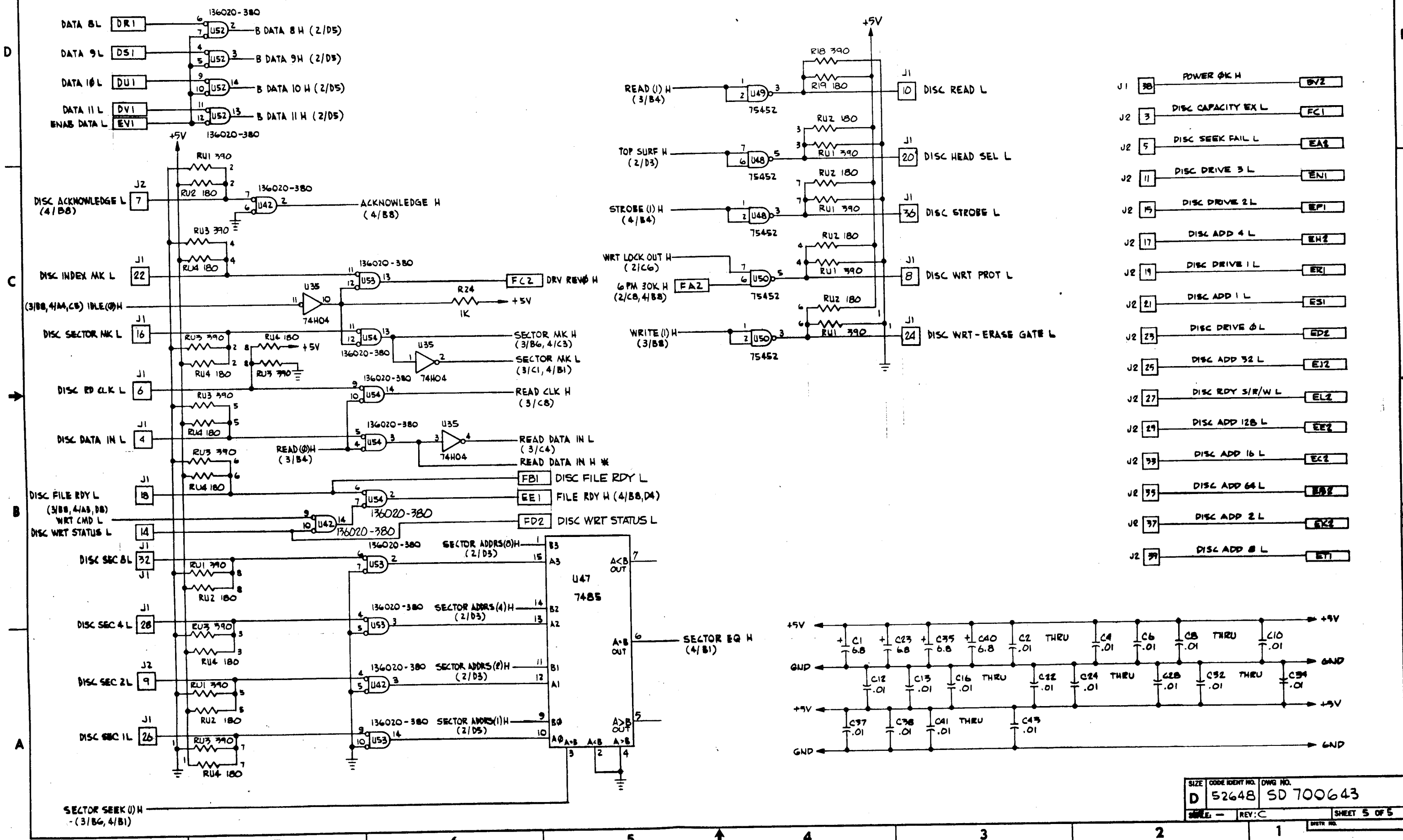


SIZE	CODE IDENT NO.	DWG NO.
D	52648	SD 700643
SCALE:	REV: C	SHEET 4 OF 5

SD700643

The information herein is the property of PLESSEY MEMORIES INC. CORPORATION. Transmittal, receipt or possession of this information does not convey, license, or imply any rights to use, sell, or manufacture from this information and no reproduction or publication of it, in whole or in part, shall be made without written authorization from PLESSEY MEMORIES INC.

ZONE		REVISIONS		DATE	APPROVED
LTR	DESCRIPTION				
	SEE SHEET 1				



SIZE	CODE IDENT NO.	DRWG NO.
D	52648	SD 700643
SCALE	REV: C	SHEET 5 OF 5

The information herein is the property of PLESSEY MEMORIES INCORPORATED. Transmittal, receipt or possession of the information does not constitute, license, or imply any rights to use, sell, or manufacture from this information and no reproduction or publication of it, in whole or in part, shall be made without written authorization from PLESSEY MEMORIES INC.

REVISIONS			
ZONE	LTR	DESCRIPTION	DATE
-		REL TO PROD PER ERO 500 & 86	12-9-75
A		INCORP EO 1166	2-27-76
B		INCORPORATED EO 1215	6-1-76
C		INCORPORATED EO 1270	7-1-76

LAST DESIGNATION USED	
RESISTOR	R34
CAPACITOR	C31
INTEGRATED CIRCUIT	U65

DESIGNATIONS NOT USED	
RESISTOR	R18
CAPACITOR	C18
INTEGRATED CIRCUIT	U1, 2, 3, 9

REF DES	GATES USED PER TOTAL	PART NO.
U3	1/2	380
U29	1/2	7408
U37	3/4	7432
U42	3/4	7402
U43	5/6	74404
U47	3/4	7402
U48	3/4	7402
U53	3/4	7408
U55	1/2	7400
U62	3/4	7437

SOLDER SIDE	SIDE 2	SIDE 1	COMPONENT SIDE
	A		CONNECTOR A
	B		
	C		
	D		
	E		
	F		
	H		
	J		
	K	UD0L	
	L	MD1L	
	M	MD2L	
	N		
	P	MD3L	
	R	DATA 0 L	
	S	DATA 1 L	
	T		
	U	DATA 2 L	
	V	DATA 3 L	
	A		CONNECTOR B
	B		
	C		
	D		
	E		
	F		
	H		
	J		
	K	MD4L	
	L	MD5L	
	M	MD6L	
	N		
	P	MD7L	
	R	DATA 4 L	
	S	DATA 5 L	
	T		
	U	DATA 6 L	
	V	DATA 7 L	

SOLDER SIDE	SIDE 2	SIDE 1	COMPONENT SIDE
	A		CONNECTOR C
	B		
	C		
	D	I/O PAUSE L	
	E	C0L	
	F		
	H	C1L	
	J		
	K		
	L	INTERNAL I/O L	
	M		
	N		
	P		
	R	INITIALIZE H	
	S		
	T		
	U		
	V		
	A		CONNECTOR D
	B		
	C		
	D		
	E		
	F		
	H		
	J		
	K	MDBL	
	L	MD9L	
	M	MD10L	
	N		
	P	MD11L	
	R	DATA 8 L	
	S	DATA 9 L	
	T		
	U	DATA 10 L	
	V	DATA 11 L	

SOLDER SIDE	SIDE 2	SIDE 1	COMPONENT SIDE
	A	BRK RQ H	CONNECTOR E
	B	AC 7 (0) H	
	C	DATA CLK OK H	
	D	CLR ALL H	
	E	DISC FILE RDY L	
	F	PM DATA II H	
	H	WRT BRK L	
	J	MAK (0) H	
	K	BTP3 OK H	
	L	B DATA STATE (1) H	
	M	12TH BIT OK H	
	N	DATA ENABLE (1) H	
	P	LD MAIN SHIFT L	
	R	6PM6 H	
	S	6PM3 OK H	
	T	MAIN PL H	
	U	ROY S/R/W L	
	V	PB CONT 1 (0) H	
	A	DEVICE PM H	CONNECTOR F
	B	ENAB INT H	
	C	6PM7 H	
	D	ERROR CLR L	
	E	MAIN (0) H	
	F	SECTOR SEEK (0) H	
	H	B DATA II L	
	J	SET IDLE PL L	
	K	DISC CAPACITY EXL	
	L	RDY S/R/W H	
	M	HI RD CLK H	
	N	IDLE (0) H	
	P	LD CMD REG H	
	R	B DATA II H	
	S	SEEK DONE H	
	T	BTP3 H	
	U	BTP3 L	
	V	RTRY-L	

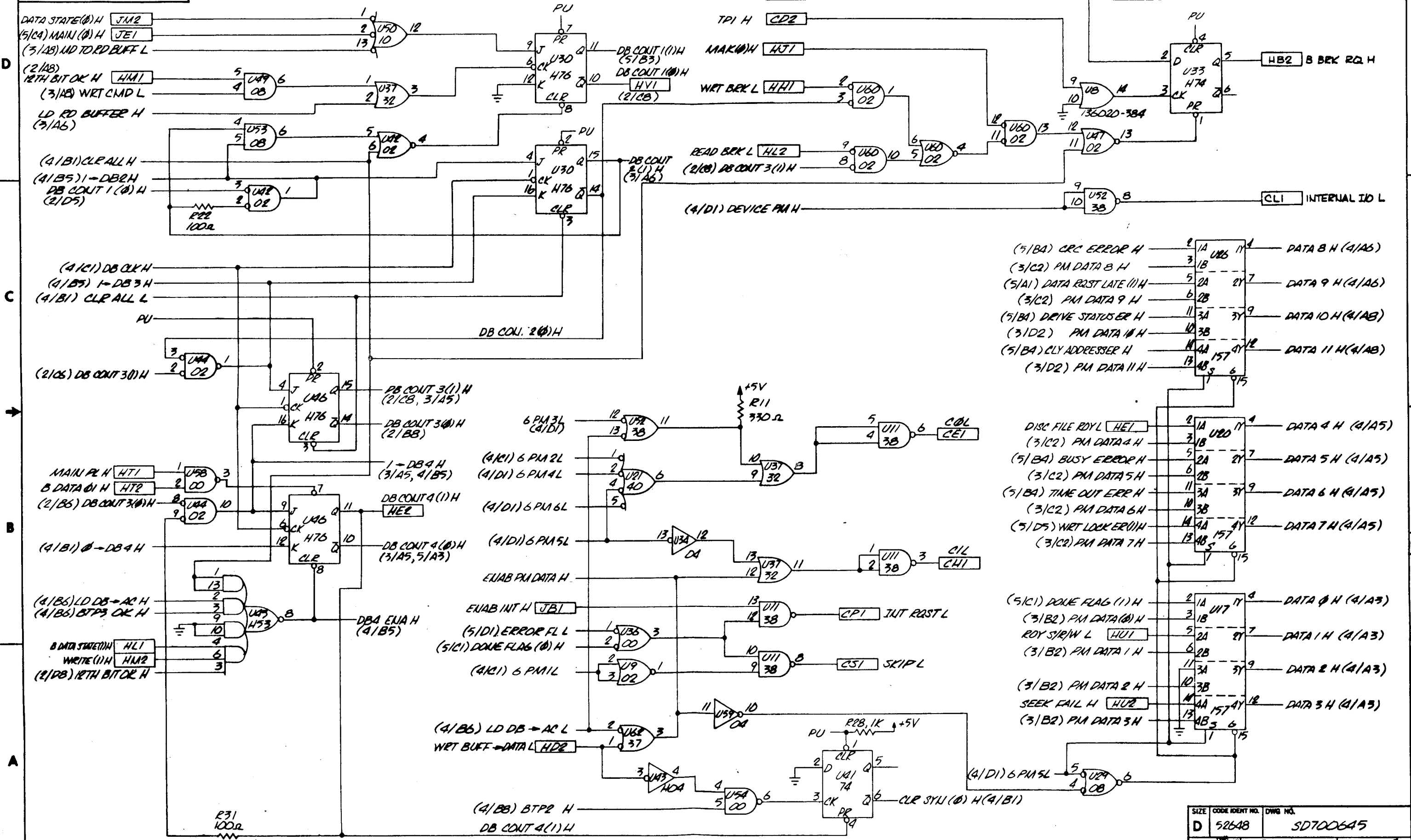
6 VALUES ARE LAB SET. TO BE SET PER TEST SPEC TS 700645.
 5 INDICATES COMPONENT NOT USED.
 4 DESIGNATIONS SHOWN IN PARENTHESIS (2/A1) INDICATES WHERE SIGNAL ORIGINATES OR TERMINATES
 ZONE DESIGNATIONS SHEET NUMBER
 3. SIGNALS SHOWN IN RECTANGLE ARE I/O CONNECTIONS
 BOARD SIDE
 PIN DESIGNATION
 CONNECTOR DESIGNATION
 2. FOR ASSEMBLY SEE DRAWING 700645.
 1. ALL RESISTORS ARE ± 5%, 1/4 W.
 NOTES: UNLESS OTHERWISE SPECIFIED.

PRODUCTION RELEASE

PART/ASSY NO. & QTY PER ASSY		NOTE/PART OR IDENTIFYING NO.	NOMENCLATURE OR DESCRIPTION / MATERIAL	SPEC/SOURCE	CODE IDENT NO.	FIND NO.
PART/ASSY REV LTR		PARTS LIST				
700645-100 PM-DC/B		CONTRACT NO.				
NEXT ASSY USED ON		Plessey Memories Incorporated Santa Ana, California				
APPLICATION		DRAWN GATES 12-2-75 CHECK D. N. 12-2-75 ENGR D. N. 1/19/76 PROJ. ENGR PROD. DESIGN J. B. 12/19/75				
		DWG TITLE SCHEMATIC DIAGRAM DATA BUFFER AND STATUS PM-DC/B				
		SIZE CODE IDENT NO. DWG NO. D 52648 SD700645				
		OTHER APPROVALS				
		SCALE: NONE REV: C SHEET 1 OF 5				

The information herein is the property of PLESSEY MEMORIES INCORPORATED. Transmittal, receipt or possession of the information does not comply, license, or imply any rights to use, sell, or manufacture from this information and no reproduction or publication of it, in whole or in part, shall be made without written authorization from PLESSEY MEMORIES INC.

REVISIONS				
ZONE	LTR	DESCRIPTION	DATE	APPROVED
		SEE SHEET 1		



- (5/BA) CRC ERROR H — 1A U26 11 — DATA 8 H (4/A6)
- (3/C2) PM DATA 8 H — 3 1B — DATA 9 H (4/A6)
- (5/A1) DATA RST LATE (1) H — 5 2A 21 7 — DATA 9 H (4/A6)
- (3/C2) PM DATA 9 H — 6 2B — DATA 10 H (4/A6)
- (5/BA) DRIVE STATUS ER H — 11 3A 31 9 — DATA 10 H (4/A6)
- (3/D2) PM DATA 10 H — 10 3B — DATA 11 H (4/A6)
- (5/BA) CLY ADDRESSER H — 14 4A 15 12 — DATA 11 H (4/A6)
- (3/D2) PM DATA 11 H — 13 4B 5 6

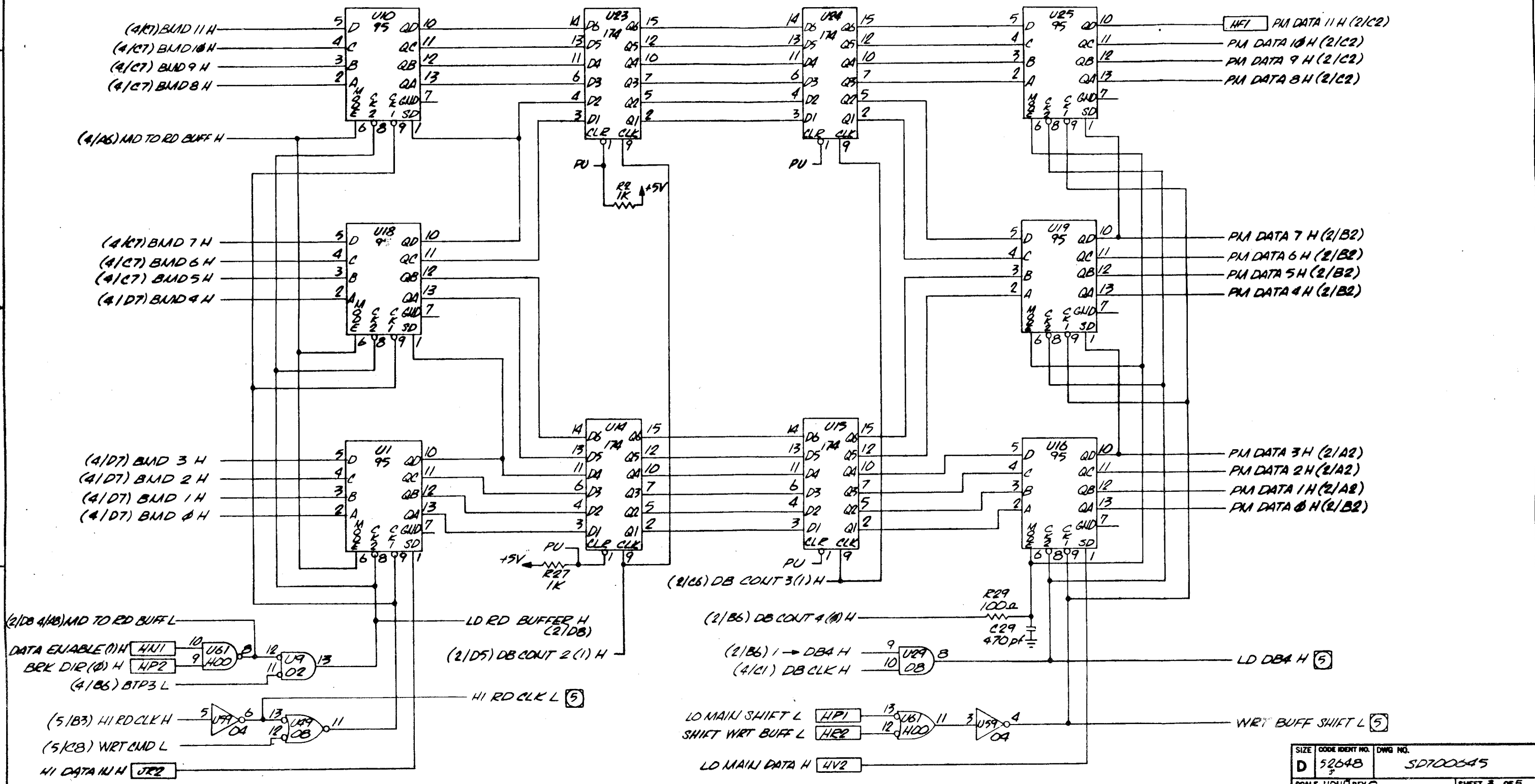
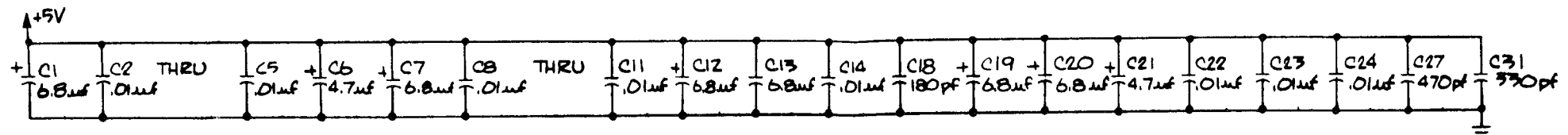
- DISC FILE ROYL HET — 2 1A U20 11 4 — DATA 4 H (4/A5)
- (3/C2) PM DATA 4 H — 3 1B — DATA 5 H (4/A5)
- (5/BA) BUSY ERROR H — 5 2A 21 7 — DATA 5 H (4/A5)
- (3/C2) PM DATA 5 H — 6 2B — DATA 6 H (4/A5)
- (5/BA) TIME OUT ERR H — 11 3A 31 9 — DATA 6 H (4/A5)
- (3/C2) PM DATA 6 H — 10 3B — DATA 7 H (4/A5)
- (5/D5) WRT LOCKER (1) H — 14 4A 15 12 — DATA 7 H (4/A5)
- (3/C2) PM DATA 7 H — 13 4B 5 6

- (5/C1) DONE FLAG (1) H — 2 1A U17 11 4 — DATA 0 H (4/A3)
- (3/B2) PM DATA (0) H — 3 1B — DATA 1 H (4/A3)
- ROY SIR/W L HUI — 5 2A 21 7 — DATA 1 H (4/A3)
- (3/B2) PM DATA 1 H — 6 2B — DATA 2 H (4/A3)
- (3/B2) PM DATA 2 H — 10 3B — DATA 2 H (4/A3)
- SEEK FAIL H HUR — 14 4A 15 12 — DATA 3 H (4/A3)
- (3/B2) PM DATA 3 H — 13 4B 5 6

SIZE	CODE IDENT NO.	DWG NO.
D	52648	SD700645
SCALE: 1/16" = 1"	REV C	SHEET 2 OF 5

This information is the property of PLESSEY MEMORIES INC. CORPORATION. Transmittal, receipt or possession of the information does not constitute license, or imply any right to use, sell, or manufacture from this information, and no reproduction or publication of it, in whole or in part, shall be made without written authorization from PLESSEY MEMORIES INC.

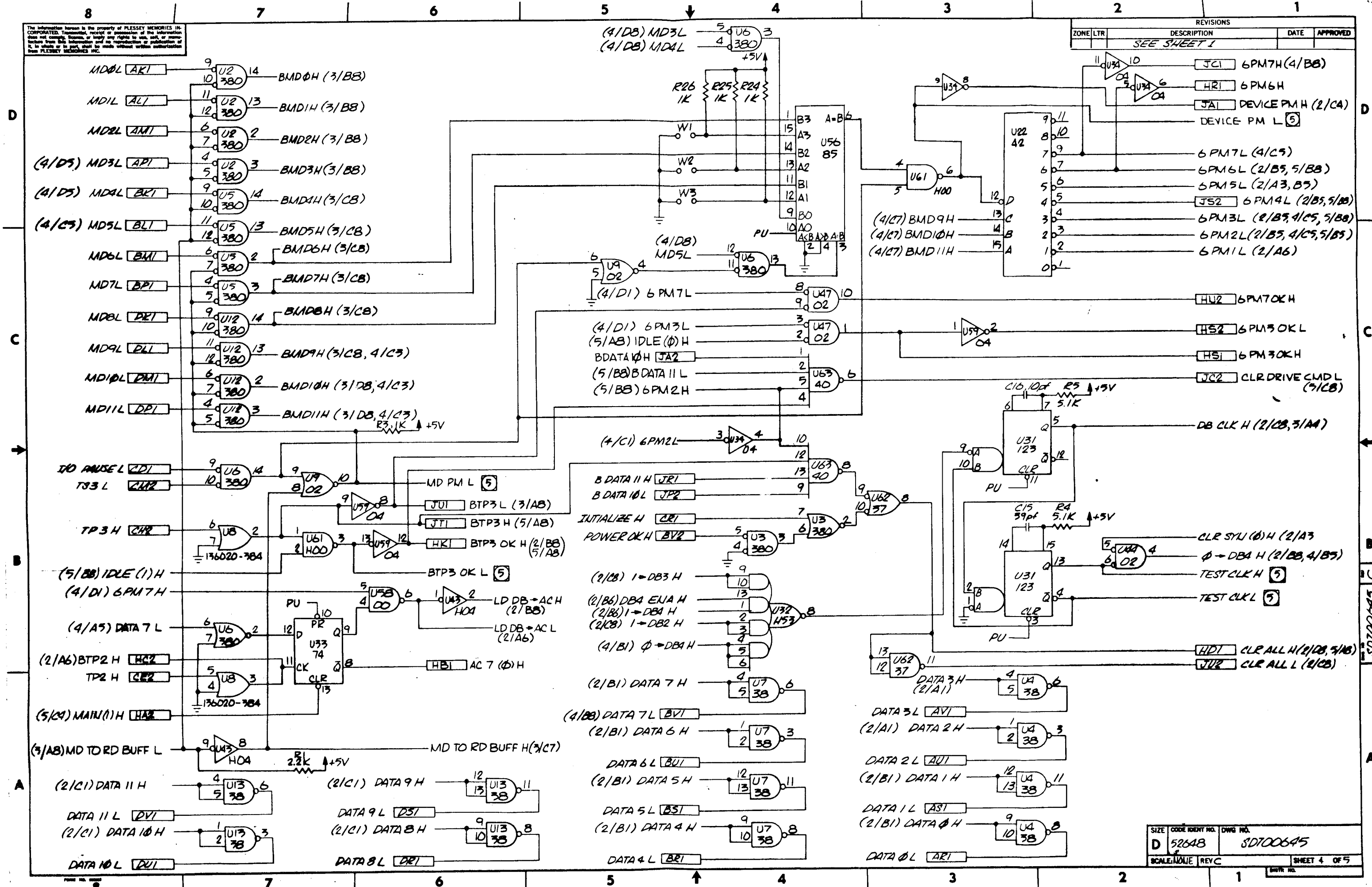
REVISIONS				
ZONE	LTR	DESCRIPTION	DATE	APPROVED
		SEE SHEET 1		



SIZE	CODE IDENT NO.	DWG NO.
D	52648	SD700645
SCALE: 1/16" = 1"	REV C	SHEET 3 OF 5

The information herein is the property of PLESSEY MEMORIES INCORPORATED. Transmittal, receipt or possession of the information does not constitute license, or imply any right to use, sell, or reproduce from this information and no reproduction or publication of it, in whole or in part, shall be made without written authorization from PLESSEY MEMORIES INC.

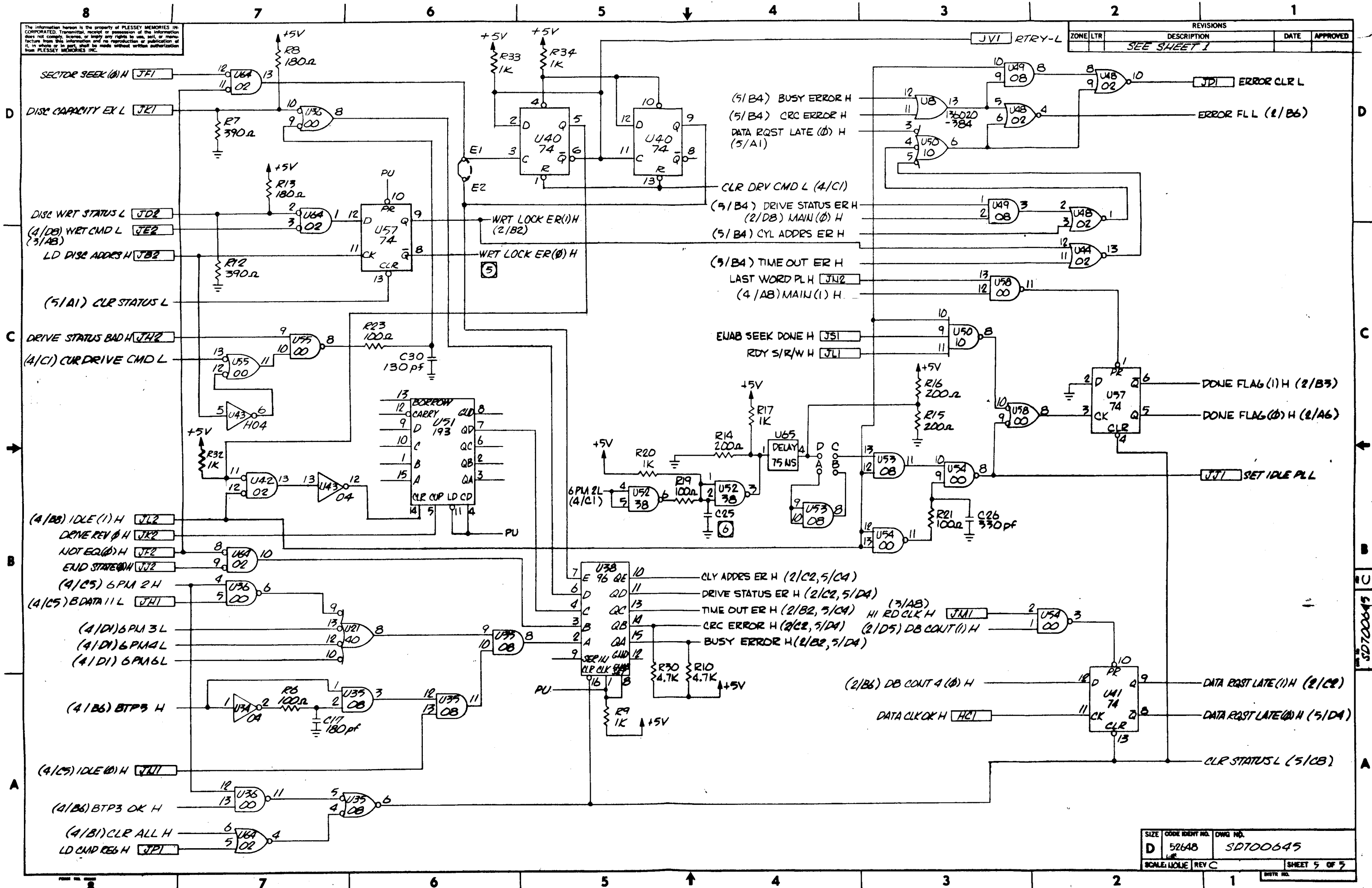
REVISIONS				
ZONE	LTR	DESCRIPTION	DATE	APPROVED
		SEE SHEET 1		



SIZE	CODE IDENT NO.	DWG NO.
D	52648	SD700645
SCALE: NONE	REV C	SHEET 4 OF 5

The information herein is the property of PLESSEY MEMORIES INCORPORATED. Transmittal, receipt or possession of this information does not convey, license, or imply any rights to use, sell, or manufacture from this information and no reproduction or publication of it, in whole or in part, shall be made without written authorization from PLESSEY MEMORIES INC.

REVISIONS			
ZONE	LTR	DESCRIPTION	DATE
		SEE SHEET 1	



SIZE	CODE IDENT NO.	DWG NO.
D	52648	SD700645
SCALE	NOTE	REV C
		SHEET 5 OF 5

The information herein is the property of PLESSEY MEMORIES INCORPORATED. Transmission, receipt or possession of the information does not convey, license, or imply any rights to use, sell, or manufacture from this information and no reproduction or publication of it, in whole or in part, shall be made without written authorization from PLESSEY MEMORIES INC.

REVISIONS			
ZONE LTR	DESCRIPTION	DATE	APPROVED
-	REL TO PROD PER GRD 500708	2-17-76	AS
A	INCRP E.O. 1174	8-16-76	AS

LAST DESIGNATION USED	
RESISTOR	R7
CAPACITOR	C53
INTEGRATED CIRCUIT	U49
RESISTOR MTD	EXM

REF DES	GATES USED PER TOTAL	PART NO.
U1	5/6	7404
U2	3/4	7400
U11	1/2	7440
U34	3/4	7438
U39	2/4	7400-304
U41	3/4	7400
U17	1/2	74S139

SIDE 2		SIDE 1	
+5V	A		
	B		
GND	C		
ENAB 0 L	D	MA0 L	
ENAB 1 L	E	MA1 L	
GND	F		
ENAB 2 L	H	MA2 L	
	J	MA3 L	
MD DIR L	K		
	L		
	M		
GND	N		
	P	DATA 0 L	
	S	DATA 1 L	
GND	T		
	U	DATA 2 L	
	V	DATA 3 L	
+5V	A		
	B		
GND	C		
INIT STROBE H	D	MA4 L	
BRK IN PRO 6 L	E	MA5 L	
GND	F		
MA,MS,LOAD CONTROL	H	MA6 L	
	J	MA7 L	
	K		
BRK CYCLE L	L		
	M		
	N	GND	
	P	DATA 4 L	
	S	DATA 5 L	
GND	T		
	U	DATA 6 L	
	V	DATA 7 L	

SIDE 2		SIDE 1	
+5V	A		
	B		
GND	C	GND	
TP1 H	D		
	E		
GND	F	GND	
	H		
TP4 H	J		
	K		
	L		
TS2 L	M		
	N		
GND	P		
TS4 L	R		
	S		
GND	T	GND	
	U	CPMA DIS L	
	V	MS,TR DIS L	
GND	A		
	B		
GND	C	GND	
	D	MA8 L	
	E	MA9 L	
GND	F		
	H	MA10 L	
	J	MA11 L	
	K		
	L		
	M		
GND	N	GND	
	P		
	R		
	S		
GND	T	GND	
	U		
	V		

MA11 (1) H	A	BRK RQ H
B BRK RQ H	B	ACT (0) H
BTP2-H	C	BTP3 OK H
WT BUFF-DATA L	D	CLR ALL H
DB CONT 4 (1) H	E	DISC FILE RDY L
	F	PM DATA II H
	H	WRT BRK L
	J	MAK 0 H
	K	BTP3 OK H
READ BRK L	L	B DATA STATE (1) H
WRITE (1) H	M	18TH BIT OK H
6 PM 7 OK H	N	DATA ENABLE (1) H
BRK DIR (0) H	P	LD MAIN SHFT L
SHFT WRT BUFF L	R	6 PM 6 H
6 PM 5 OK L	S	6 PM 3 OK H
B DATA I H	T	MA11 PL H
SEEK FAIL H	U	RDY SIR/W L
LD MAIN DATA H	V	DB CONT 1 (0) H

SIDE 2		SIDE 1	
DISC SEEK FAIL L	A	CRK DATA H	
DISC ADD 64 L	B	RD CLK I H	
DISC ADD 16 L	C	IDLE (1) H	
DISC DRIVE 0 L	D	RDY SIR/W H	
DISC ADD 128 L	E	FILE RDY H	
STROBE (1) H	F	CLR SECTOR AD L	
DISC ADD 4 L	H	CLR ALL L	
DISC ADD 32 L	J	B DATA II H	
DISC ADD 2 L	K	B DATA 10 H	
DISC RDY SIR/W L	L	B DATA 9 H	
LD DISC ADDRS H	M	B DATA 8 H	
CRK 16 (1) H	N	DISC DRIVE 3 L	
SECTOR ADDRS (1) H	P	DISC DRIVE 2 L	
B DATA 7 H	R	DISC DRIVE 1 L	
HALF BLOCK H	S	DISC ADD 1 L	
FULL 00 H	T	DISC ADD 8 L	
FULL 00 H	U	DATA ENABLE (1) H	
FULL 01 H	V	ENAB DATA L	
6 PM 3 OK H	A	18TH BIT OK H	
CLR DRIVE CMD L	B	DISC FILE RDY L	
DRIVE REV 0 H	C	DISC CAPACITY EX L	
B DATA 10 L	D	END STATE (0) H	
ERROR CLR L	E	LAST WORD PL H	
SECTOR SEEK (0) H	F	WRITE (1) H	
BTP2 H	H	PM DATA II H	
SHFT WRT BUFF L	J	BTP3 H	
BRK ENAB CLR H	K	SET IDLE PL L	
B LAST BRK H	L	LD MAIN SHFT L	
BTP3 OK H	M	BTP3 OK H	
LAST BRK (1) H	N	SHFT CRCL	
MA11 (0) H	P	DATA STATE (0) H	
IDLE (0) H	R	DATA IN (0) H	
RD SHFT DBL	S	CLR CUTS L	
HI MAIN SHFT L	T		
BRK IN CLK H	U	SHFT SUBD/SEC H	
WRT CMD L	V	STATE ENAB B H	

SIDE 2		SIDE 1	
B DATA 10 H	A	DEVICE PM H	
LD DISC ADDRS H	B	ENAB INT H	
CLR DRIVE CMD L	C	6 PM 7 H	
B DATA 10 L	D	ERROR CLR L	
WRT CMD L	E	MA11 (0) H	
NOT EQ (0) H	F	SECTOR SEEK (0) H	
DRIVE STATUS DATA H	H	B DATA 11 L	
END STATE (0) H	J	SET IDLE PL L	
DRIVE REV 0 H	K	DISC CAPACITY EX L	
IDLE (1) H	L	RDY SIR/W SLOW	
DATA STATE (0) H	M	HI RD CLK H	
LAST WORD PL H	N	IDLE (0) H	
B DATA 10 L	P	LD CMD RESH	
HI DATA IN H	R	B DATA 11 H	
6 PM 4 L	S	ENAB SEEK DONE H	
	T	BTP3 H	
CLR ALL L	U	BTP3 L	
	V		

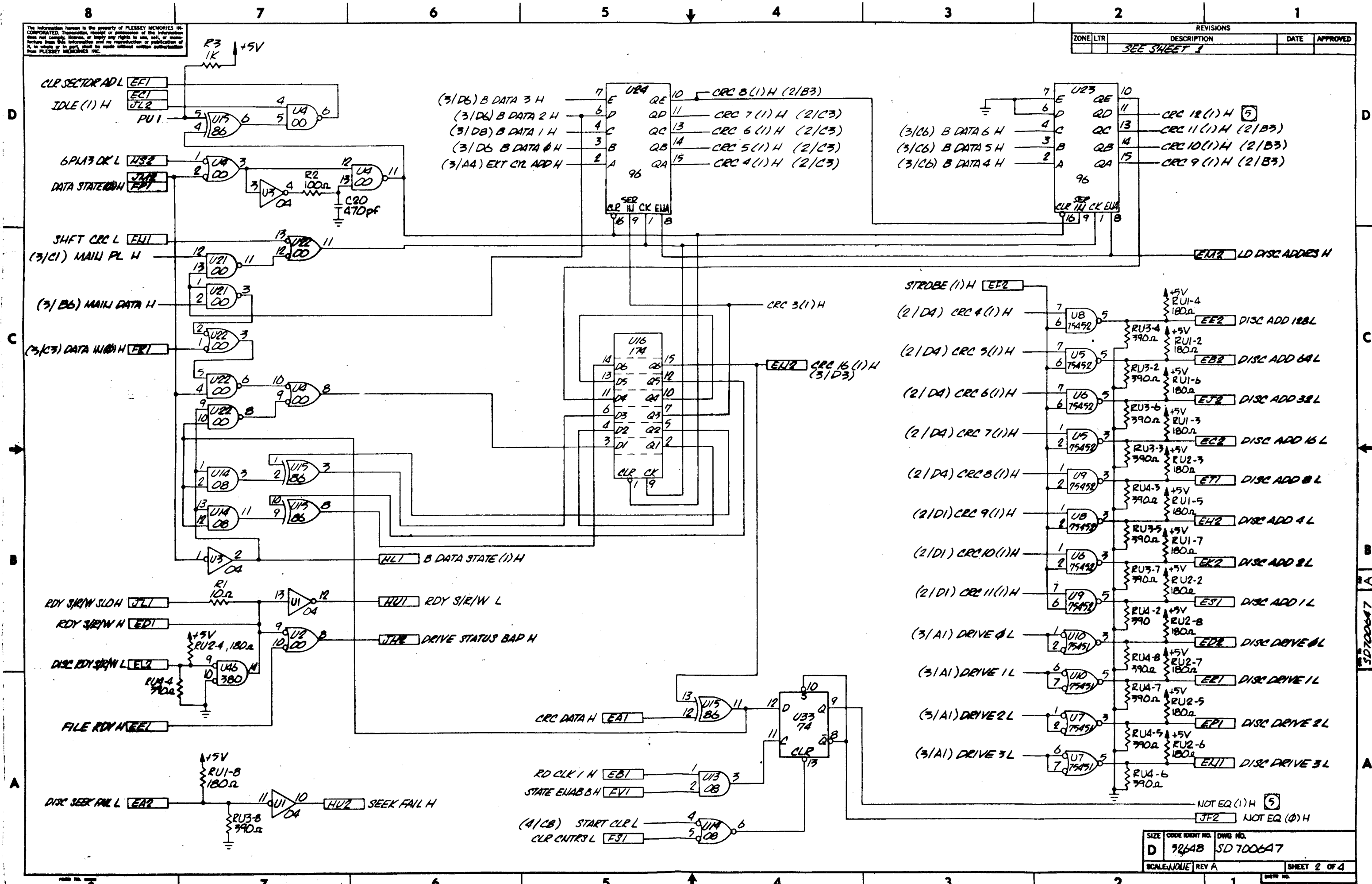
⑤ INDICATES SIGNAL NOT USED.
 4. DESIGNATIONS SHOWN IN PARENTHESIS (2/1A) INDICATES WHERE SIGNAL ORIGINATES OR TERMINATES
 ZONE DESIGNATIONS SHEET NUMBER
 3. SIGNALS SHOWN IN RECTANGLE AAT ARE I/O CONNECTIONS BOARD SIDE
 PIN DESIGNATION CONNECTOR DESIGNATION
 2. FOR ASSEMBLY SEE DWG. 700647.
 1. ALL RESISTORS ARE ±5%, 1/4W.
 NOTES: UNLESS OTHERWISE SPECIFIED.

PRODUCTION RELEASE

PART/ASSY NO. & QTY PER ASSY		NOTE: PART OR IDENTIFYING NO.		NOMENCLATURE OR DESCRIPTION / MATERIAL		SPEC/SOURCE		CODE IDENT NO.		FIND NO.	
PART/ASSY REV LTR <td colspan="2">DO NOT SCALE DRAWING <td colspan="2">CONTRACT NO. <td colspan="2">Plessey Memories Incorporated <td colspan="2">DRAWN GATES</td> <td colspan="2">1-15-76</td> </td></td></td>		DO NOT SCALE DRAWING <td colspan="2">CONTRACT NO. <td colspan="2">Plessey Memories Incorporated <td colspan="2">DRAWN GATES</td> <td colspan="2">1-15-76</td> </td></td>		CONTRACT NO. <td colspan="2">Plessey Memories Incorporated <td colspan="2">DRAWN GATES</td> <td colspan="2">1-15-76</td> </td>		Plessey Memories Incorporated <td colspan="2">DRAWN GATES</td> <td colspan="2">1-15-76</td>		DRAWN GATES		1-15-76	
700647-100 PMA-DC18		REMOVE ALL DIMS AND BREAK DIMS		DWG TITLE		Schematic Diagram		CHECKED D. W. T. H.		2-17-76	
NEXT ASSY USED ON		REWORKERS USE IN ORDER AND APPLY AFTER NEXT TEST AND POWER		PROJ. ENGR. J. L. H.		MAJOR REGISTER, PMA-DC18		ENGR.		2-17-76	
APPLICATION		STANDARD HOLE TOLERANCES PER ASME		PROJ. DESIGN. J. L. H.		SIZE		D		50648	
		TOLERANCES ARE IN DECIMALS AND APPLY AFTER NEXT TEST AND POWER		OTHER APPROVALS		DWG NO.		SD700647		SCALE: UNLESS OTHERWISE SPECIFIED	
		UNLESS OTHERWISE SPECIFIED				SHEET		1		OF 4	

The information herein is the property of PLESSEY MEMORIES INCORPORATED. Transmittal, receipt or possession of this information does not convey, license, or imply any rights to use, sell, or manufacture from this information and no reproduction or publication of it, in whole or in part, shall be made without written authorization from PLESSEY MEMORIES INC.

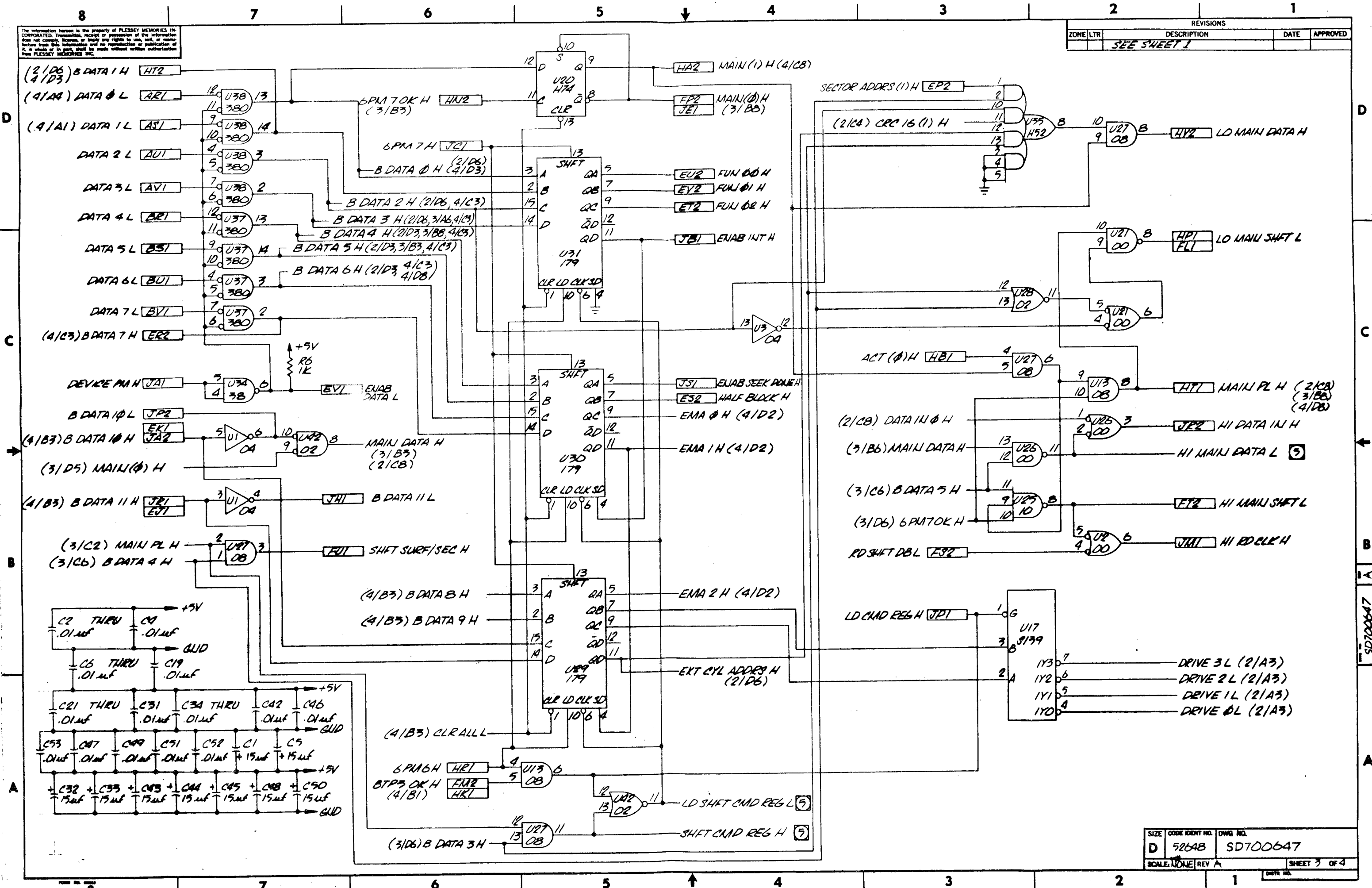
REVISIONS				
ZONE	LTR	DESCRIPTION	DATE	APPROVED
		SEE SHEET 1		



SIZE	CODE IDENT NO.	DWG NO.
D	52648	SD 700647
SCALE/NOTE	REV A	SHEET 2 OF 4

The information herein is the property of PLESSEY MEMORIES INCORPORATED. Transmittal, receipt or possession of the information does not confer, license, or imply any rights to use, sell, or manufacture from this information and its reproduction or publication of it, in whole or in part, shall be made without written authorization from PLESSEY MEMORIES INC.

REVISIONS				
ZONE	LTR	DESCRIPTION	DATE	APPROVED
		SEE SHEET 1		



SIZE	CODE IDENT NO.	DWG NO.
D	52648	SD700647
SCALE: NONE	REV A	SHEET 3 OF 4

SD700647

