

PRQ-LK2-A
(U No. - Parts List)

<u>U NUMBER</u>	<u>PART NUMBER</u>	<u>PAGE NUMBER</u>
U21	Cambion Component Header	5
U31	74S74	2
U41	74S241	2
U51	899-5-R 180/390	1
U61	74S 241	1
U71	899-5-R180/390	1, 2
U72	74S32	4 Part for Diagnostic
U81	74S241	4 Option
U91	67S376	2
U92	74S20	2
U101	74S138	2
U111	74S374	1
U112	74S00	4 Part for Diagnostic
U121	74S374	1 Option
U122	74S04	2
U131	74LS374	3
U141	74LS374	3 Parts for
U151	74S288	4 Diagnostic
U161	74S288	4 Option
U180	74S04	2, 4


PROPRIETARY INFORMATION
FOR USE IN MAINTENANCE
ONLY. NOT TO BE COPIED
OR DISCLOSED!

PRQ-LK2-A BYPASS LIST

C31	.01
C41	2.2
C61	.01
C72	.01
C91	2.2
C111	.01
C112	.01
C131	2.2
C151	.01
C169	2.2
C179	.01

NOTE: For all 2.2 bypass, the silkscreen dot indicates ground.

PROPRIETARY INFORMATION
FOR USE IN MAINTENANCE
ONLY. NOT TO BE COPIED
OR DISCLOSED!

	Three Rivers Computer	
	TITLE: BYPASS LIST	PROJECT: PRQ-LK2-A
	DRAWN BY: DIV 1 253	DATE: 10-2-88
	FILED BY: 6487A	PAGE 1 of 3

PRQ-LK2-A (INVENTORY) PARTS LIST

QUANTITY	NO. PINS	Vcc	G	WIDTH	PT. NO.	NAME	DESCRIPTION (U NO.)	PAGE NO.
1	14	14	7	.300	74S74	Chip	U31	2
3	20	20	10	.300	74S241	Chip	U41, U61, U81	1, 2
1	20	20	10	.300	67S376	Chip	U91	2
1	16	16	8	.300	74S138	Chip	U101	2
2	20	20	10	.300	74S374	Chip	U111, U121	1
*2	20	20	10	.300	74LS374	Chip	U131, U141	3
*2	16	16	8	.300	74S288	Chip	U151, U161	4
1	14	14	7	.300	74S20	Chip	U92	2
*1	14	14	7	.300	74S00	Chip	U112	4
2	14	14	7	.300	74S04	Chip	U122, U180	2, 4
*1	14	14	7	.300	74S32	Chip	U72	4
1	16	16	-	.300	702-3728-01-03-00	Cambion Component Header	U21	5
2	14	14	7	.300	899-5-R180/390	Resistor	U51, U71	1, 2
1					PRQ-PCB-WW2-B	Board		
2					107 YEL	Ejector	1 Yellow, 1 Black	
12					107 BLK	Ejector		
20	20				3202	Nylon Washers		
					520 AG	Wire Wrapped		
					37F2	Auget Sockets		
2					PRQ-HDW-STF-A	Card		
						Stiffeners		
2	40				3432-3005	Bent Nail Wire		
						Wrap Scotchflex	JA, JB	
4					ST821	2.2 mf	C41, C91, C131,	
					A225	Capacitor	C169	
7					CY15C	.01 mf	C31, C61, C72,	
					103M	Capacitor	C111, C112, C151,	
							C179	
3	8				3911390-A	WW Header	2 Rows of 4	
2	1				3911310-1	WW Pin	1 Pin	
1					1K RC07	Resistor	U21 Header	
4					GS4-7	Stimpson Rivets		
						Rivets		
4					GS4-10	Stimpson Rivets		
						Rivets		

* The following parts are used for the diagnostic option and should not be used in a regular link card:

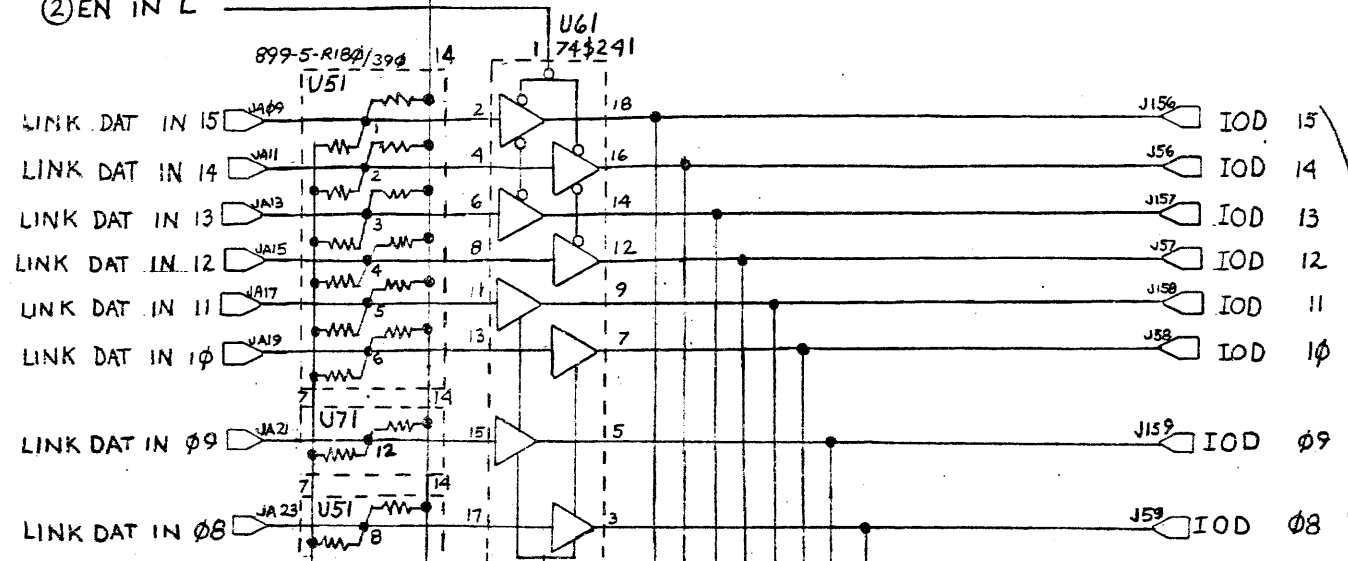
U131
 U141
 U151
 U161
 U112
 U72

**PROPRIETARY INFORMATION
 FOR USE IN MAINTENANCE
 ONLY. NOT TO BE COPIED
 OR DISCLOSED!**

Three Rivers Computer
 INVENTORY PARTS LIST PRQ-LK2-A
 PRQ-PL-04098 3 of 3

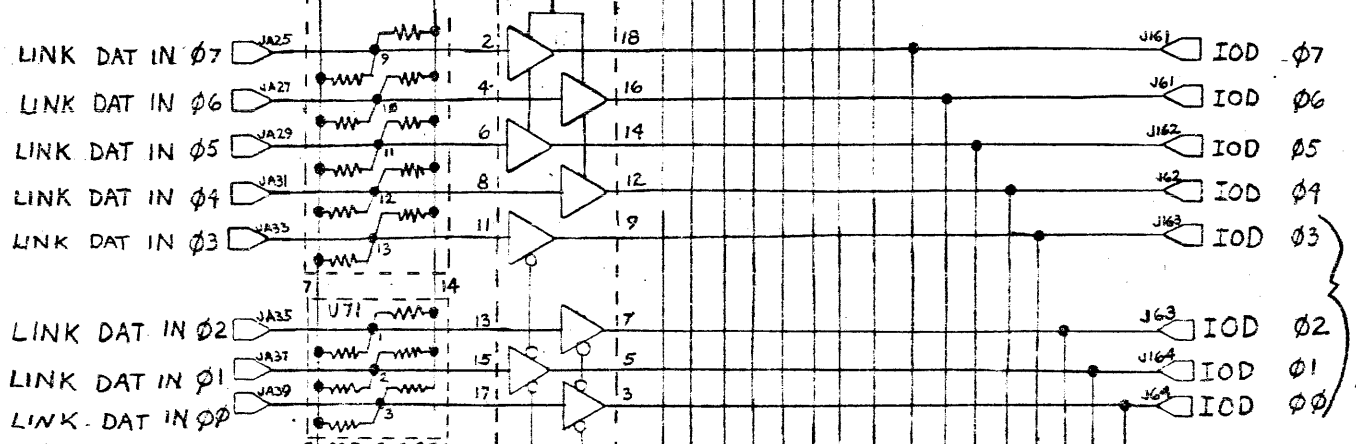
+5

② EN IN L

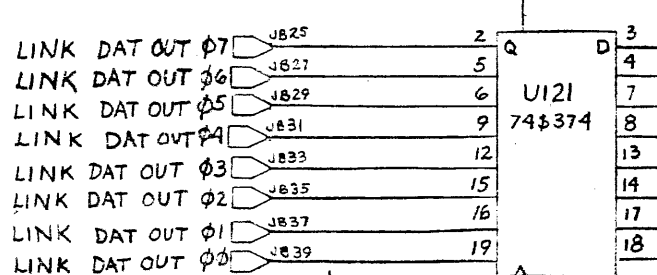
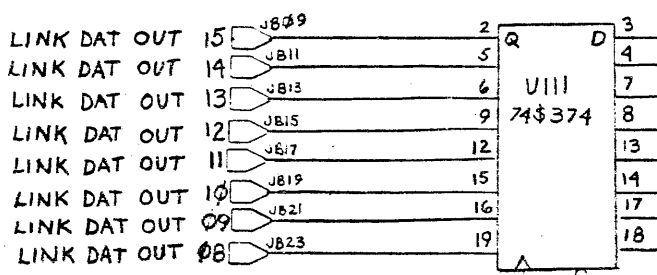


④ ③ ③

② EN IN H

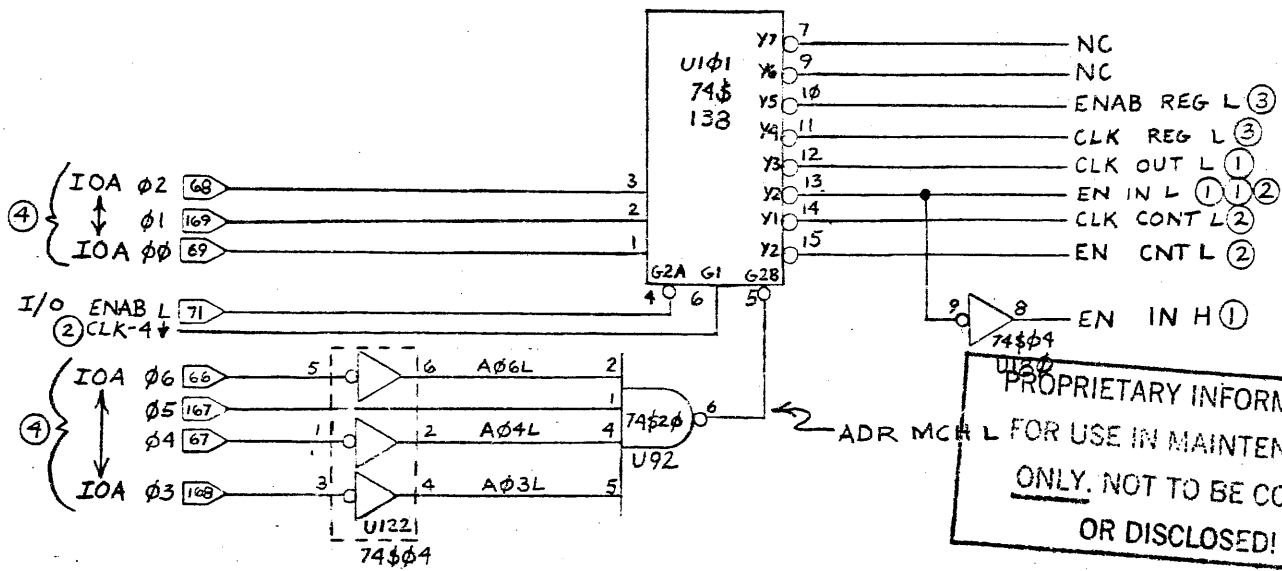
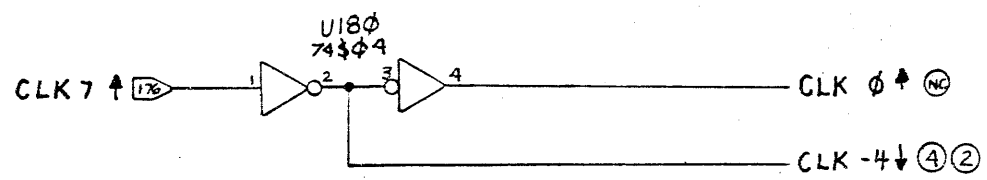
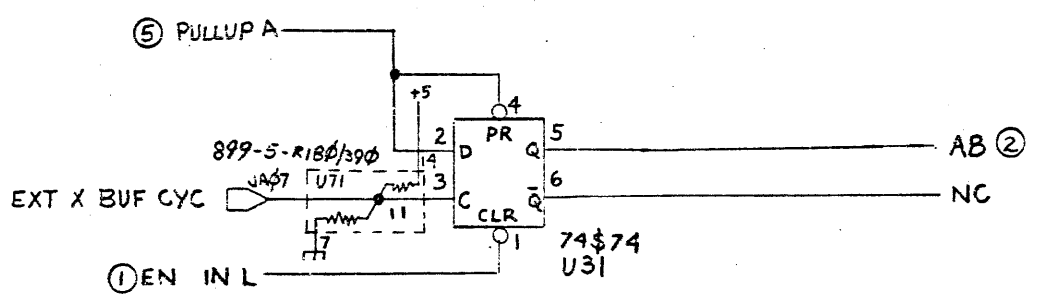
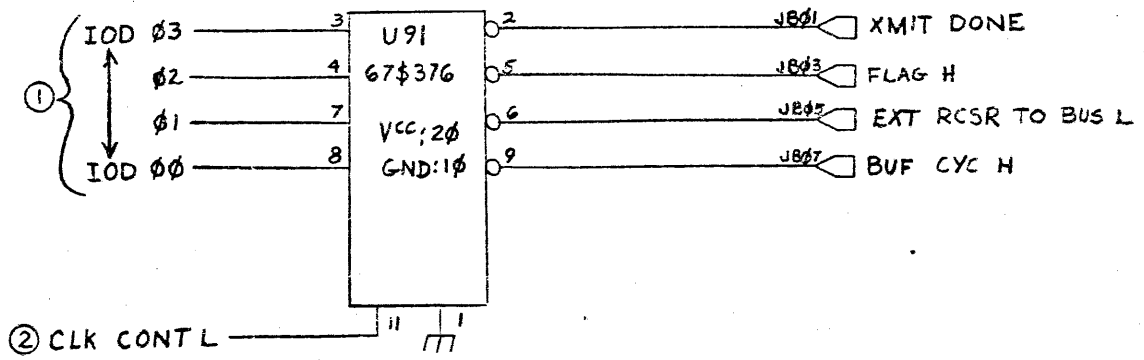
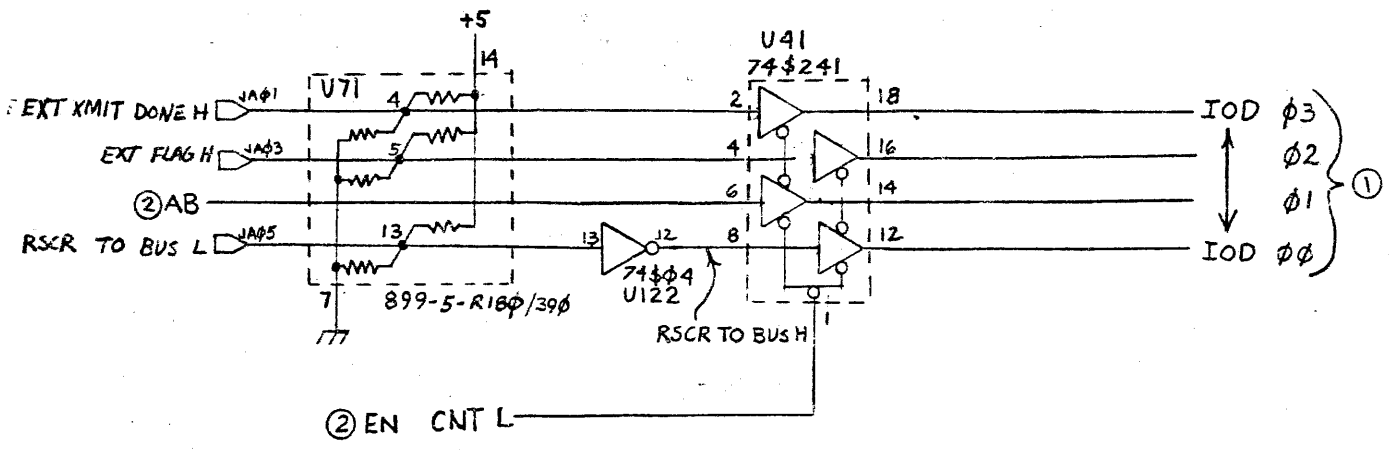


② EN IN L

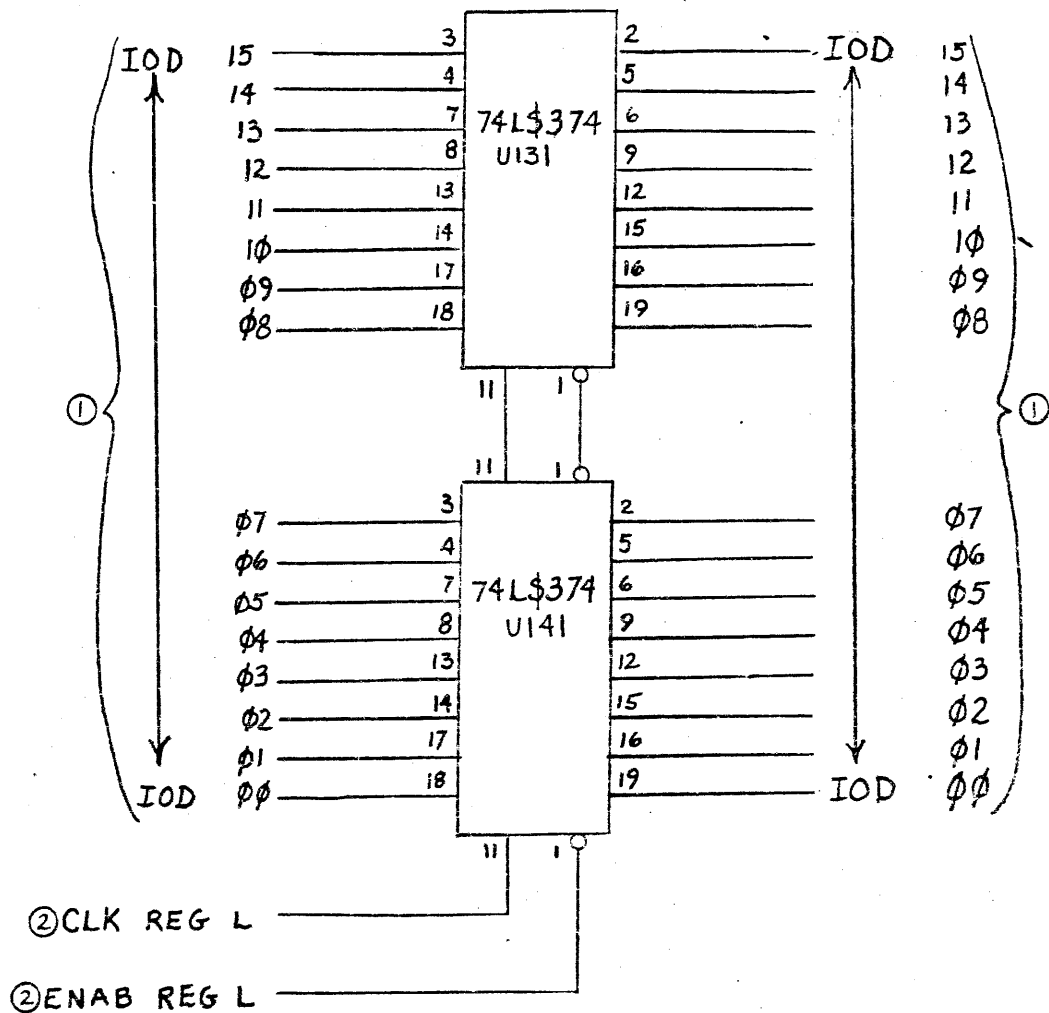


② CLK OUT L

PROPRIETARY INFORMATION
 FOR USE IN MAINTENANCE
 ONLY. NOT TO BE COPIED
 OR DISCLOSED!



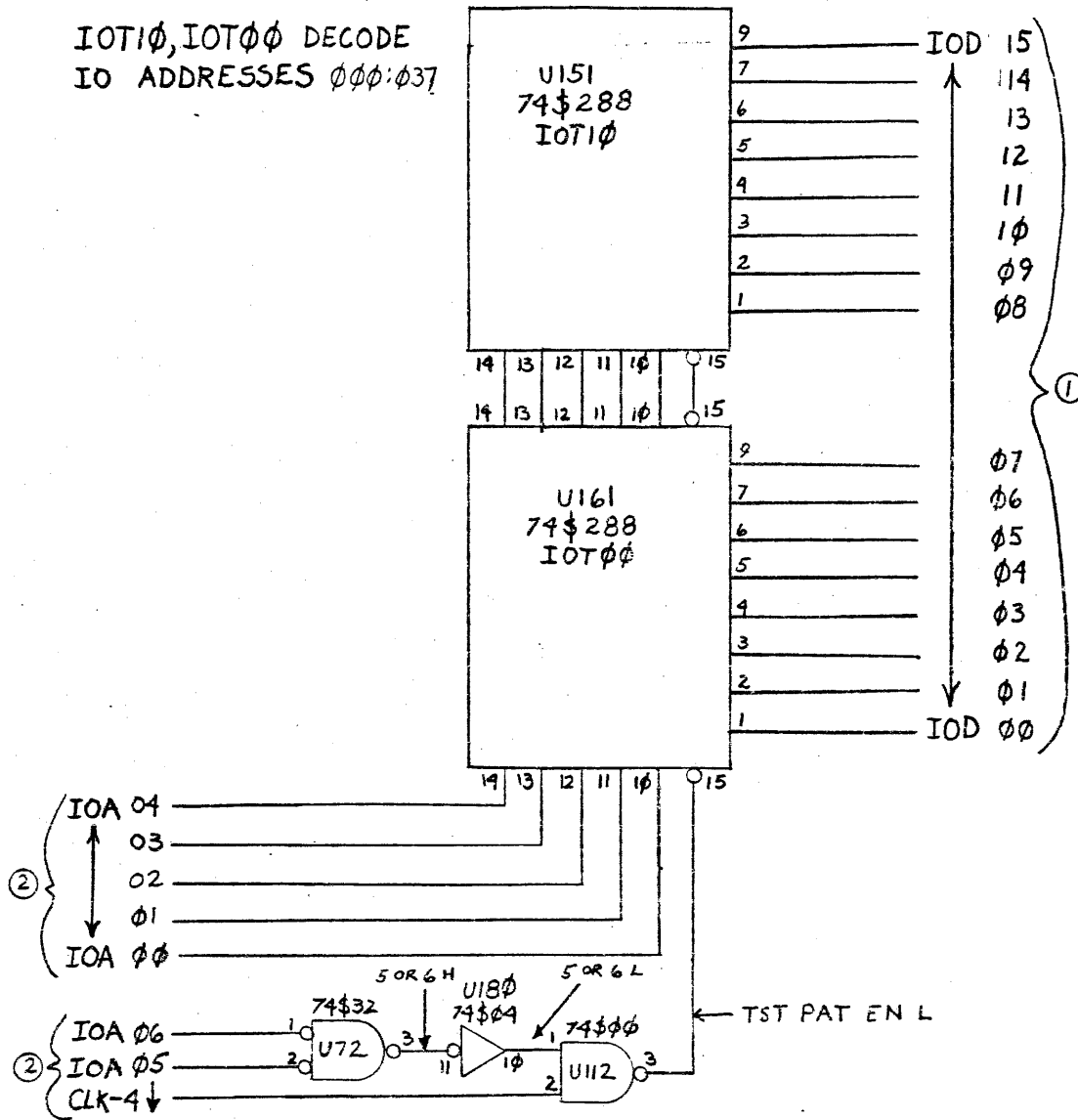
PROPRIETARY INFORMATION
 FOR USE IN MAINTENANCE
 ONLY. NOT TO BE COPIED
 OR DISCLOSED!



PROPRIETARY INFORMATION
 FOR USE IN MAINTENANCE
 ONLY. NOT TO BE COPIED
 OR DISCLOSED!

Three Rivers Computer	
IO ECHO	PR2-LK2-A
DESIGNED BY DIV 4-300	PR2-SC-0321-B 3 of 5

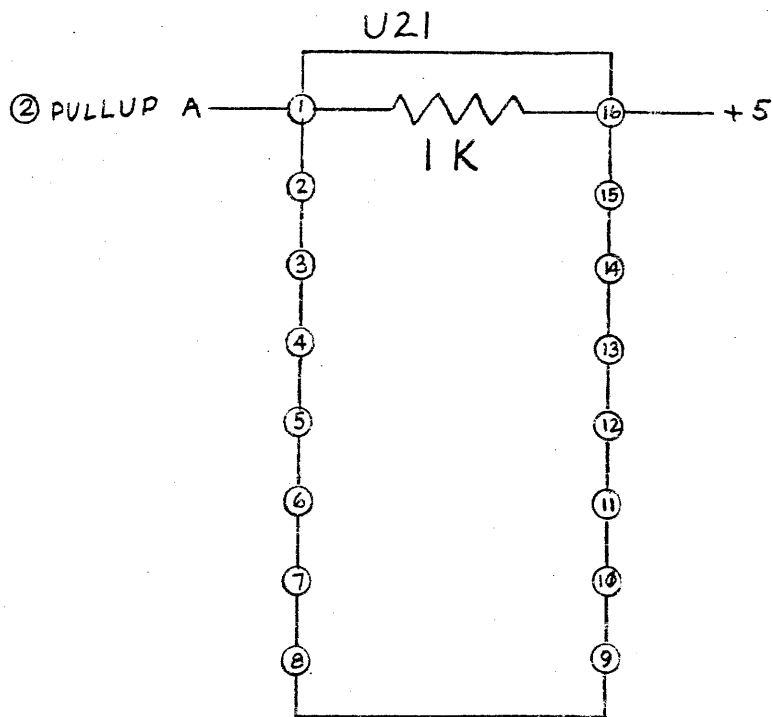
IOTI ϕ , IOT $\phi\phi$ DECODE
IO ADDRESSES $\phi\phi\phi:\phi37$



PROPRIETARY INFORMATION
FOR USE IN MAINTENANCE
ONLY. NOT TO BE COPIED
OR DISCLOSED!



Three Rivers Computer	
IO PATTERNS	PRQ-LK2-A
REV 9-3-80	SC-022C 4 of 5



PROPRIETARY INFORMATION
 FOR USE IN MAINTENANCE
 ONLY. NOT TO BE COPIED
 OR DISCLOSED!