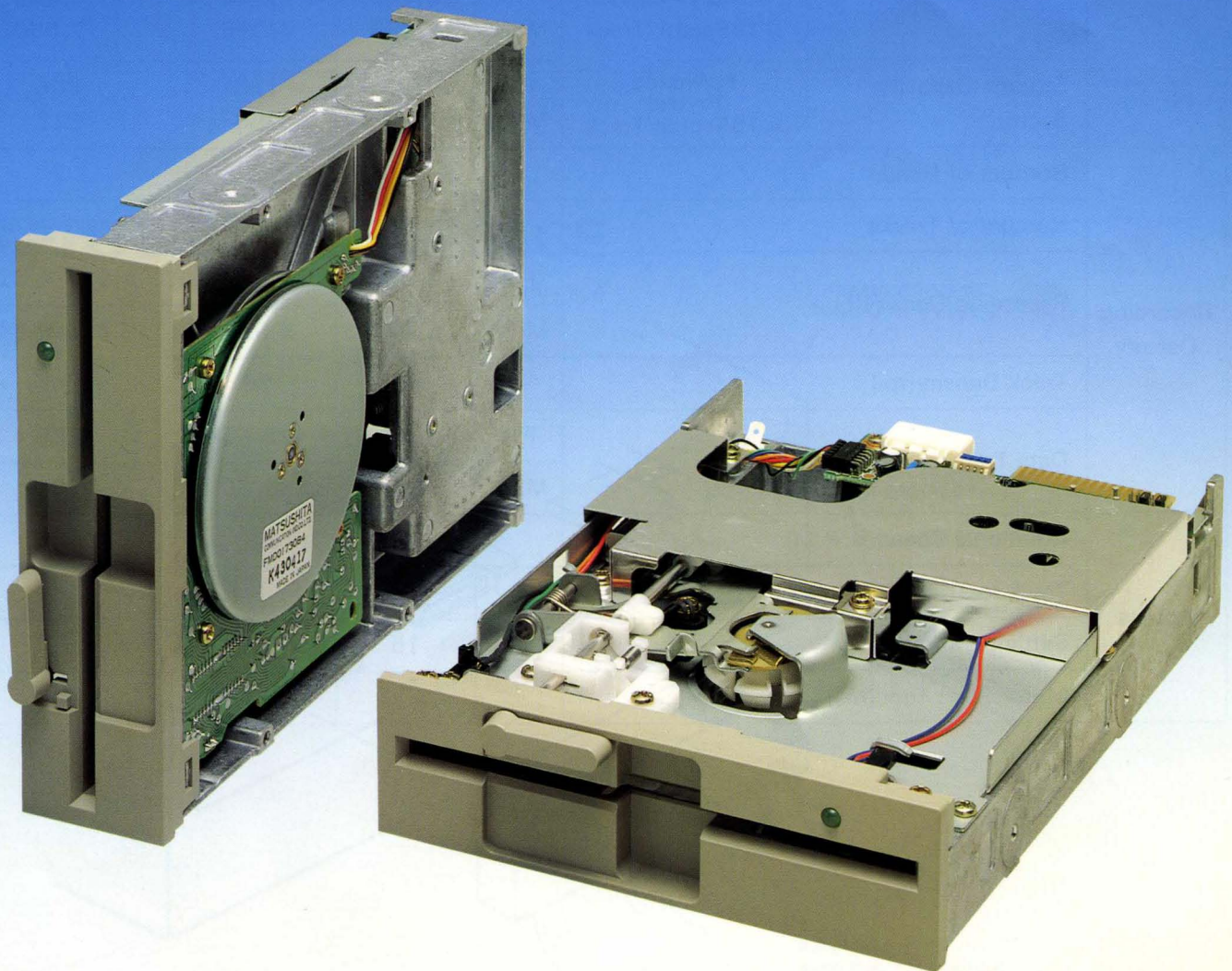


Panasonic

5.25inch Minifloppy Disk Drive

JU-455
JU-475

MAR 14 1991



SPECIFICATION SUMMARY

Performance Specifications

Item				JU-455	JU-475 (Low) (High)		
Capacity	Total Storage Capacity/Disk	Unformatted (Kbytes)	FM	250	500	833/ 802	
			MFM	500	1,000	1,667/1,604	
	* 16Sector/Track	Formatted (Kbytes)	FM	164	328	* 15 Sectors/Trac 614/ 591	
			MFM	328	655	1,229/1,183	
	Storage Capacity/Track	Unformatted (bytes)	FM	3,125	3,125	5,208	
			MFM	6,250	6,250	10,416	
	* 16Sector/Track	Formatted (bytes)	FM	2,048	2,048	* 15 Sectors/Trac 3,840	
			MFM	4,096	4,096	7,680	
Storage Capacity/Sector	Formatted (bytes)	FM	128	128	256		
	* 16Sector/Track	MFM	256	256	512		
Recording Density	Number of Heads			2	2	2	
	Number of Tracks			80	160	160/154	
	Recording Density(bpi)			FM	2,938	2,961	4,935/4,821
				MFM	5,876	5,922	9,870/9,642
	Track Density(tpi)			48	96	96	
	Data Transfer Rate(K bits/s)			FM	125	125/150	250
		MFM	250	250/300	500		
Access	Rotational Speed(R. P. M)			300	300	360	
	Track to Track Seek(ms)			4	3	3	
	Settling Time(ms)			15	15	15	
	Motor Start Time(ms)			500	500	500	

Power Specifications

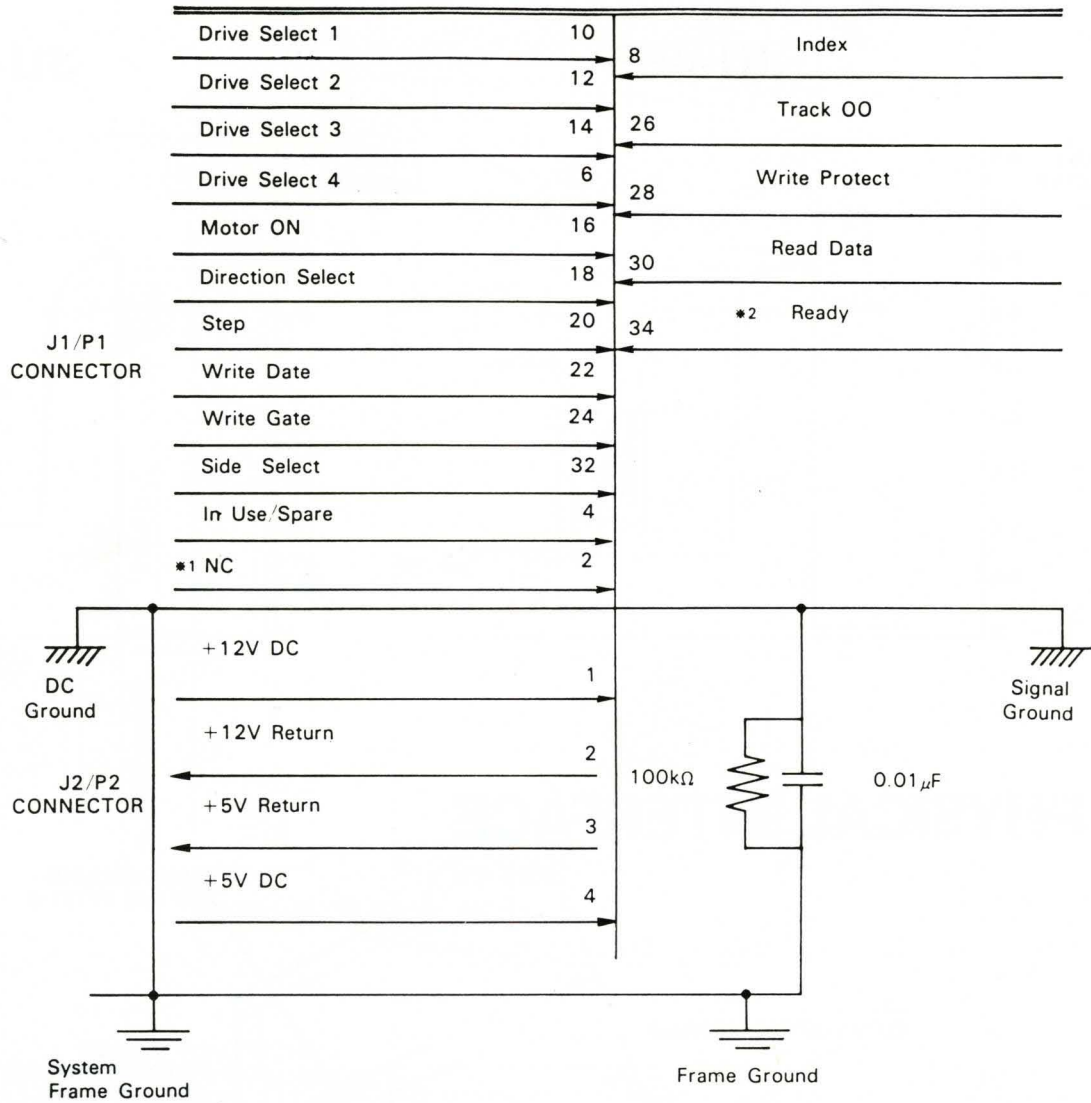
Item		Rating		
Power Requirement	12 VDC	Voltage	12V ± 10% MaxRipple 100mVp-p 455/475	
		Current	Max. (At moter start)	0.9A
			Typical (Read)	0.17/0.22A
	5 VDC	Voltage	5V ± 5% MaxRipple 50mVp-p 455/475	
		Current	Max. (write)	0.47/0.55A
			Typical (Read)	0.37/0.44A
Environment	Temperature	Operating	5 to 46.1°C	
		Storage	-22.2 to 55°C	
		Shipping	-40 to 62.2°C	
		Temperature Gradient	20° /H	
	Humidity	Operating	20 to 80% RH No Condensation	
		Non Operating	1 to 95% RH No Condensation	
Maximum Wet Bulb		29.4°C		
Vibration	Operating	Acceleration	0.5G (No Soft Error)	
		Frequency	5 to 55 Hz (Except Resonant Point)	
	Non Operating	Acceleration	5.0G	
		Frequency	5 to 55 Hz (Except Resonant Point)	
Shock	Operating	Acceleration	0.5G (No Hard Error)	
		Interval	10ms (Square Wave)	
	Non Operating	Acceleration	40G	
		Interval	10ms (Square Wave)	
Mechanical Dimension (Except Front Bezel)	Width	146mm		
	Height	41.5mm		
	Depth	202mm		
	Weight	1.3kg		
Mounting Angle	Vertical	0° to 20°		
	Horizontal	0° to 20°		
Dielectrical Withstanding Voltage	Between the Mounting Bracket and Signal Ground	250 VDC (1 minute)		
Insulation Resistance	Between the Mounting Bracket and Signal Ground	250 VDC, >50 MΩ		

Reliability Specifications

Item		Rating
Drive	Mtbf	10,000 POH
	Mttr	0.5 hours
	Drive Life	5 years or 10,000 POH
Error rate	Software Errors	10 ⁻⁹ /bit
	Hardware Errors	10 ⁻¹² /bit
	Seek Errors	10 ⁻⁶ /seek

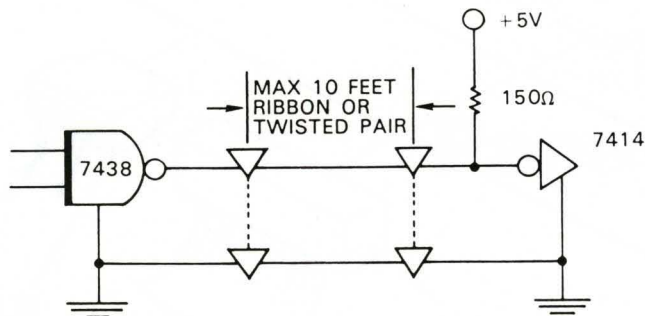
ELECTRICAL INTERFACE

Interface Connections



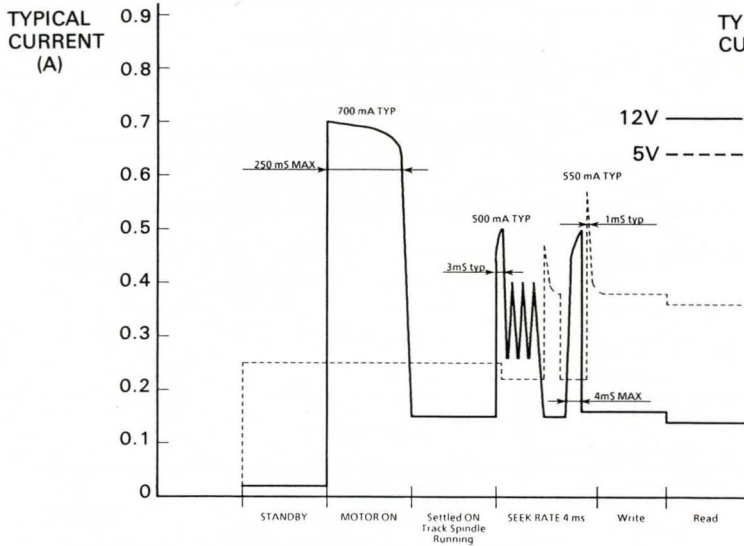
- *1 Ju-475 : Mode Select
- *2 Ju-475 : Ready/Drive Status

Interface Signal Driver/Receiver

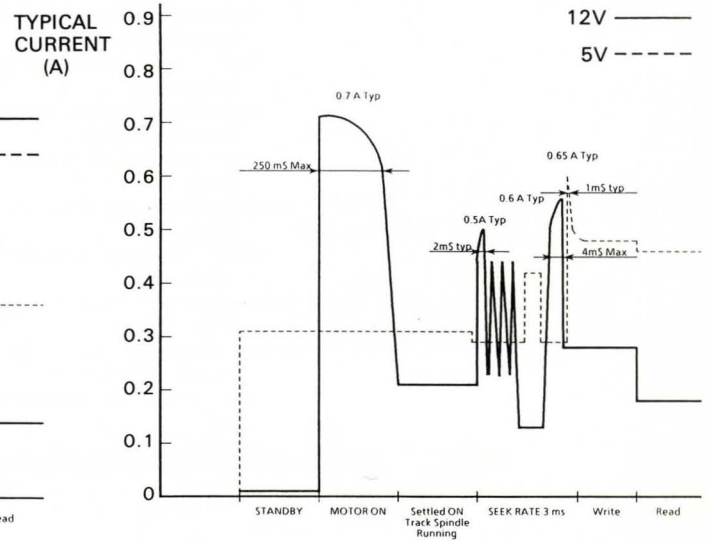


DC POWER PROFILE

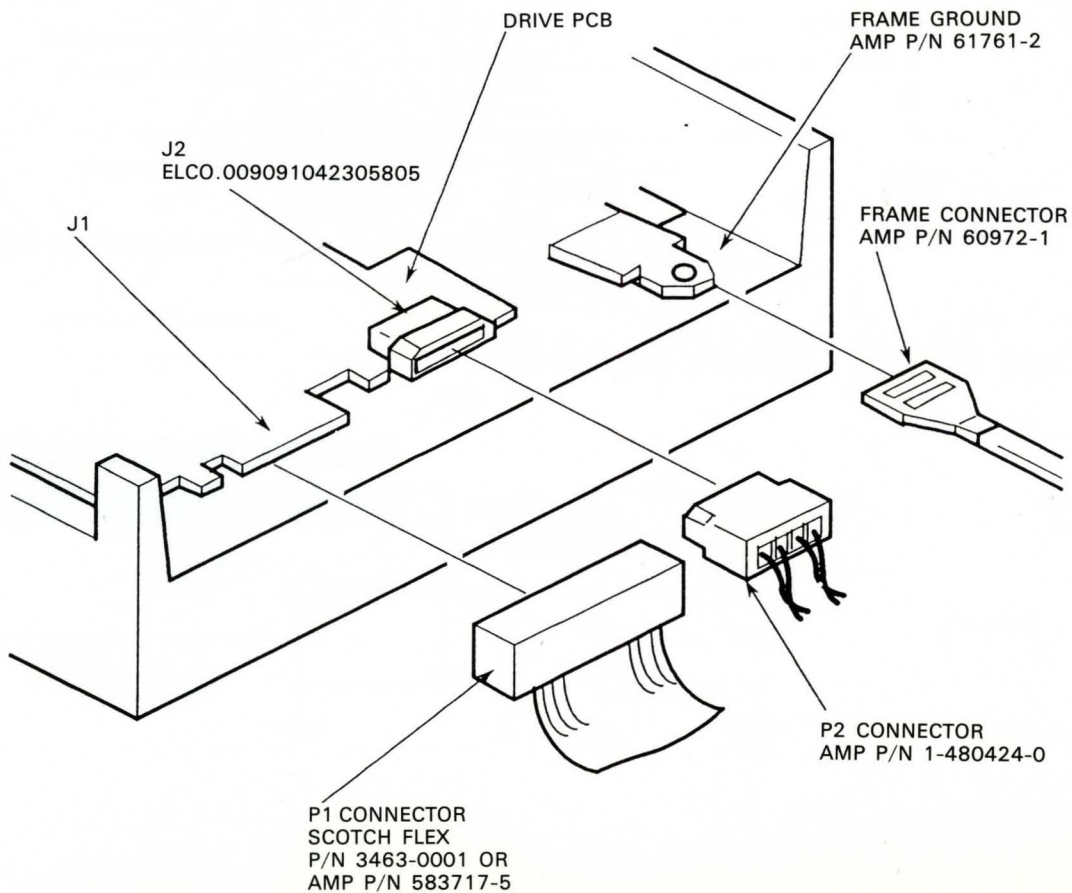
JU-455



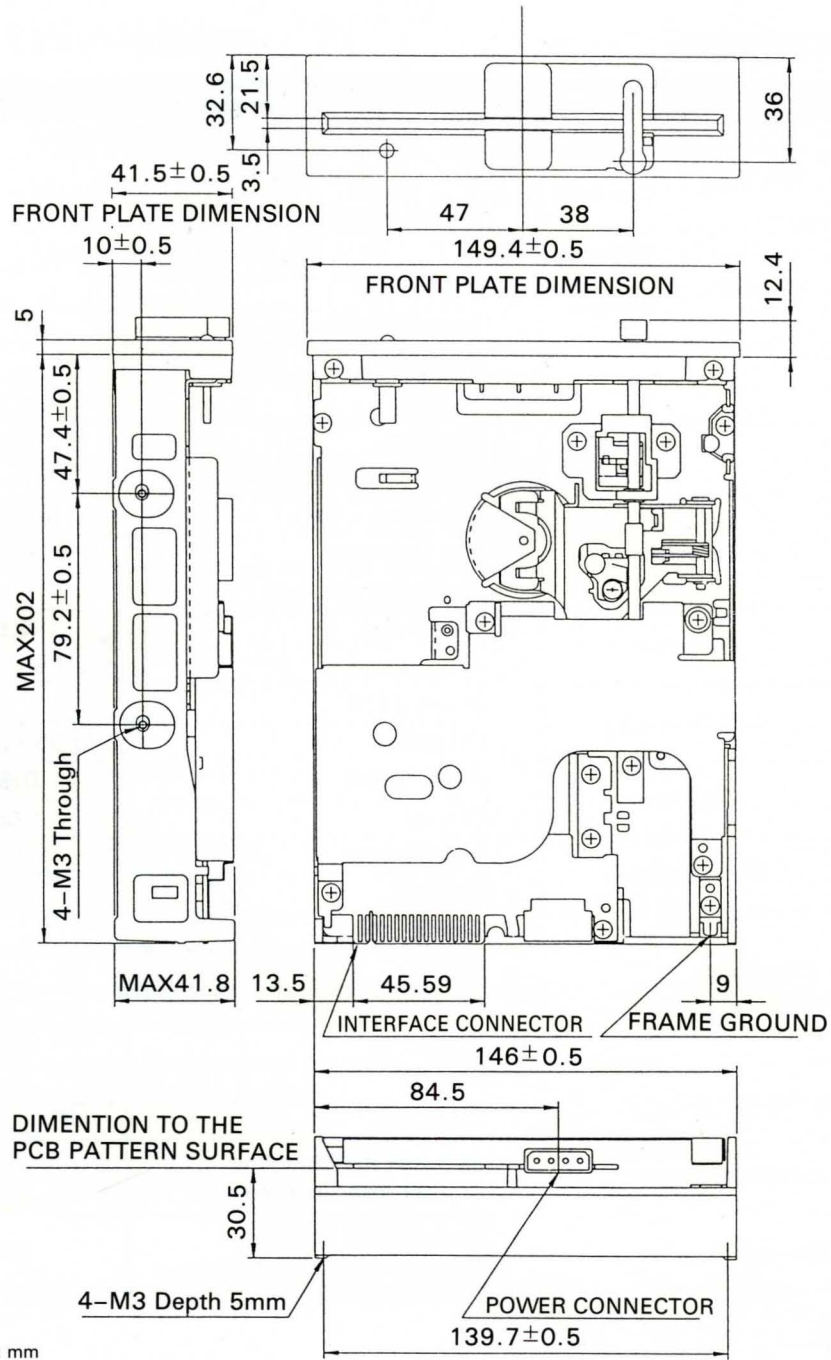
JU-475



PHYSICAL INTERFACE



MECHANICAL DIMENSIONS



NOTE ; mm

For further details of each Model, please refer to the specification sheet.

Panasonic