



NX-SCI™
User's Manual

Preliminary
April 1985

p-cad™
PERSONAL CAD SYSTEMS INC.

000-0069-00



PERSONAL CAD SYSTEMS

NX-SCI USER'S MANUAL

PRELIMINARY

000-0069-00

April 1985

**Personal CAD Systems, Inc.
981 University Avenue, Bldg. B
Los Gatos, CA 95030
(408) 354-7193**

Copyright c 1984 by Personal CAD Systems, Inc. (P-CAD).

All rights reserved. No part of this publication may be reproduced, stored in a retrieval system, or transmitted, in any form or by any means, electronic, mechanical, photocopying, recording, or otherwise, without the prior written permission of Personal CAD Systems, Inc.

Personal CAD Systems, Inc. provides this manual "as is" without warranty of any kind, either expressed or implied, including, but not limited to the implied warranties of merchantability and fitness for a particular purpose. P-CAD may make improvements and or changes in the product(s) and/or the program(s) described in this manual at any time and without notice.

This publication could contain technical inaccuracies or typographical errors. Changes are periodically made to the information herein; these changes will be incorporated in new editions of this publication.

PC-CAPS, PC-CARDS, PC-LOGS, PC-BACK, PC-FORM, PC-LINK, PC-NODES, PC-PACK, PC-PHOTO, PC-PLOTS, PC-PRINT, POSTSIM, PREPACK and PRESIM are trademarks of Personal CAD Systems, Inc. (P-CAD).

SCICARDS is a registered trademark of Scientific Calculations, Inc.

CONTENTS

INTRODUCTION.....1

OVERVIEW.....2

 INPUT.....3

 OUTPUT.....7

OPERATION.....8

APPENDIX A: ERROR MESSAGES.....10

 IMMEDIATELY FATAL ERRORS.....10

 ERRORS THAT REQUIRE NEW INPUT....11

 ERRORS REPORTED IN THE
 OUTPUT FILE.....12

APPENDIX B: EXAMPLE CIRCUIT.....13

APPENDIX C: EXAMPLE OUTPUT FILE.....14

INTRODUCTION

NX-SCI is a program that interfaces P-CAD's schematic system with the SCICARDS printed circuit board layout system. NX-SCI takes a netlist extracted from a P-CAD schematic and converts it into SCICARDS input files.

This manual provides an overview of NX-SCI input, output, and operations. Also included are appendices describing error messages, an example circuit, and an example output file.

OVERVIEW

Using the P-CAD system in conjunction with SCICARDS provides an excellent mix of tools for designing various types of boards found in a typical production environment. All schematic capture can be done on inexpensive IBM Personal Computers.

PC-CARDS, P-CAD's own printed circuit board layout system, can generate the artwork for small and medium size boards. Using PC-CARDS to lay out these smaller boards increases layout department capacity without adding additional SCICARDS workstations. Large boards can then be sent to SCICARDS for placement and routing.

Note that there are differences in terminology between P-CAD and SCICARDS. To use the two systems, the user should understand the correspondence between the following terms:

P-CAD	SCICARDS
Schematic Symbol Section	Function Slot

SCICARDS also distinguishes between two classes of components, both of which are input to NX-SCI:

- o Functionally encoded devices; these may have many devices per physical package and allow pin swapping (e.g., 74LS00).
- o Signally encoded components; these have one device per package and do not allow pin swapping (e.g., 74LS192).

INPUT

To create an input file to SCICARDS, NX-SCI reads schematic components, net assignments, packing information, and certain reserved attributes from a P-CAD schematic netlist. This netlist has been generated by the PC-NODES and PC-LINK Utility Programs and contains information extracted from the P-CAD schematic database.

To create this database, you enter two kinds of information using PC-CAPS.

1. Information that distinguishes different types of components.
2. Information interpreted by the interface program.

The following sections describe the elements entered in PC-CAPS that allow SCICARDS to interpret components and to use PC-CAPS information.

Functionally Encoded Devices

Unless certain reserved attributes are entered, components are assumed to be functionally encoded, and no special handling is required.

Enter preassigned packaging information through the PC-CAPS SCMD/PNUM command.

Enter gate count and gate per package information through the PC-CAPS SCMD/PNLG command.

NX-SCI creates a PARTS subfile and assigns the packaging information to the FUNCTIONS subfile.

Signally Encoded Devices

For a component to be interpreted as signally encoded, a reserved attribute 'PRTPIN=n' is required, where n is the number of pins on the part. NX-SCI uses the pin count to assign nets to pins in the COMPONENTS subfile.

To define the number of pins for the component symbol use the PC-CAPS ATTR/ACOM command in the symbol mode.

All signally encoded devices must have fully preassigned packaging information, including reference designator and section 'A'. With this information, the interface makes the required symbol pin-to-part pin mapping.

Enter packing information on the schematic with the PC-CAPS SCMD/PNUM command.

Supply pins are not assigned to nets since this information is not available on the schematic. These pins are assigned to net zero. To properly assign the pins, use the SCICARDS CHANGE NODE ALL command.

Signally encoded devices may be defined by component type rather than by name. To do this, an attribute of 'CTYPE=' is defined for a component.

To define the "CTYPE=" attribute for either the component symbol or the component invocation, use the PC-CAPS ATTR/ACOM command.

The ATTR/ACOM command is also used for the 'SHAPE='z attribute. If this attribute is present, the appropriate entry is made in the COMPONENTS subfile.

Connectors

For a component to be interpreted as a connector, a reserved attribute 'CONN=' is required. The value of the 'CONN' attribute is assigned to the CONNECTORS subfile. Connectors must be defined as components with a single gate and many pins per gate.

To define the "CONN=" attribute, use the the PC-CAPS ATTR/ACOM command.

Pin numbers are assumed to be in the order in which pins were entered in the symbol.

Because the name of the component on the schematic is read as the designator, these components need not be preassigned. Node assignments are made using the SCICARDS NODES command.

Net Names

Net-number-to-name mapping is assigned to the NAMED NODES subfile.

Symbol Library Requirements

Certain demands are made on symbol libraries used in the P-CAD system. The order in which pins are defined for functional symbols must be the same for the P-CAD library and the SCICARDS library. Certain reserved attributes, as described in the preceding sections, are also necessary. Because of these requirements, SCICARDS users will have to modify the standard P-CAD libraries or build their own libraries.

OUTPUT

Running NX-SCI produces a file composed of a header and several SCICARDS subfiles such as the subfiles described in previous sections. For example, functionally encoded devices are read to create the FUNCTIONS subfile, and are also interpreted to create the PARTS subfile. Signally encoded devices are read to create a COMPONENTS subfile. Connector components are read to create the CONNECTORS subfile.

Non fatal errors are reported in the NX-SCI output file. Refer to APPENDIX B: ERROR MESSAGES.

OPERATION

This section describes the operation of NX-SCI.

Assumptions:

Correct system configuration is established and NX-SCI program files are on your disc and input file. The following are also required:

- o An IBM PC, XT, AT or equivalent.
- o 640K of RAM
- o Color monitor for PC-CAPS, PC-CARDS
- o Color or monochrome monitor for other P-CAD programs
- o DOS 2.0 or higher operating system
- o CONFIG.SYS file in the root directory containing the following text:

```
BUFFERS=12  
FILES=15
```

To run NX-SCI:

1. Type NXSCI at the DOS prompt.

The program responds with an opening menu. Press any key to continue.

NX-SCI then prompts for the name of a binary netlist.

2. Enter name of binary netlist.

This file is the the output of the PC-NODES or PC-LINK utility programs. If the file has the default extension .NLT (generated by PC-NODES), type only the filename preceding the period. NX-SCI then generates a recommended output file name.

3. Type [RETURN] to use the recommended file name or enter the desired output file name.

APPENDIX A: ERROR MESSAGES

NX-SCI error messages are of three types:

- o Immediately fatal errors
- o Errors that require new input
- o Errors reported in the output file

IMMEDIATELY FATAL ERRORS

Message: "Can't load net list file."
"Corrupt net list at ..."

Action: Check net list file, regenerate
using PC-NODES or PC-LINK.

Message: "Can't init net list cache."

Cause: May not be enough room on disk
for .WKF workfiles.

Message: "Bad command."
"Corrupt configuration."
"Configuration syntax"
"Configuration attribute"

Action: Delete the reserved file OF.CFG

NX-SCI USER'S MANUAL

Message: "Not enough memory"

Cause: Not enough RAM to hold data.

Message: "Bad PNLC attribute for component ..."

Action: Check and/or redo SCMD/PNLC command.

Message: "Internal at ..."

Cause: Program bug.

Action: Save all files and report the
problem to P-CAD customer support.
(408) 354-7193.

ERRORS THAT REQUIRE NEW INPUT

Message: "Can't open output file."
"Input and output name must be different."
"... format is not compatible. "
"... not found."

Action: Re-enter the file name.

NX-SCI USER'S MANUAL

ERRORS REPORTED IN THE OUTPUT FILE

Message: "Bad part pin number"

Cause: A pin number is not in the range of the P RTPIN count.

Message: "P RTPIN not integer"

Cause: The P RTPIN attribute must have an integer value.

Message: "Signal component not preassigned"

Cause: Signally encoded devices is not fully preassigned.

Message: "Bad PNUM attribute"

Cause: The information entered during symbol creation with the SCAT/PNUM command could not be interpreted.

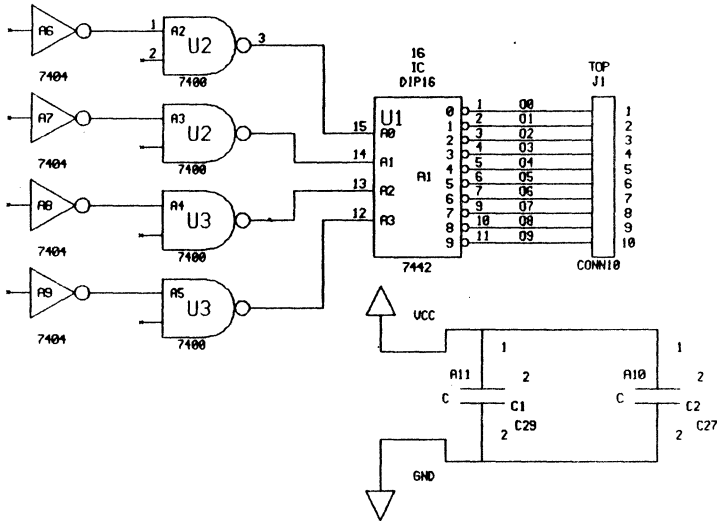
APPENDIX B: EXAMPLE CIRCUIT

A sample circuit follows. Note the following:

Schematic component A2 has been preassigned to U2/A, A3 to U2, A4 and A5 to U3.

Schematic component A1 has symbol name 7442.SYM. It has attributes 'PRTPIN=16', 'CTYPE=IC', 'SHAPE=DIP16', and has been preassigned to U1/A.

Schematic components A10 and A11 have symbol name C.SYM and attributes 'PRTPIN=2' and 'SHAPE=C29'. A10 has been preassigned to C2/A and A11 to C1/A.



APPENDIX C: EXAMPLE OUTPUT FILE

```
*****
*
* Copyright(C) 1984 Personal CAD Systems Inc *
*
* Program      :   NX-SCI   1.00      *
* Date         :   Feb 19 1985g     *
* Time         :   11:14AM          *
* Input        :   TEST.NLT         *
* Output       :   TEST.SCI         *
*
*****
```

PARTS

```
7400 U2 U3
7404 U4
EOS
```

FUNCTIONS

```
7400 A2
ASSIGN A2 U2 G1
NODES A2 15 0 12
7400 A3
ASSIGN A3 U2
NODES A3 16 0 11
7400 A4
ASSIGN A4 U3
NODES A4 17 0 13
7400 A5
ASSIGN A5 U3
NODES A5 18 0 14
7404 A6
NODES A6 15 0
7404 A7
NODES A7 16 0
7404 A8
NODES A8 17 0
7404 A9
```

NX-SCI USER'S MANUAL

NODES A9 18 0
EOS

COMPONENTS CONTINUE

IC U1 DIP16 1 2 3 4 5 6 7 0 8 9 10 14 13 11 12 0
CAP C29 C1 19 20
CAP C27 C2 19 20
EOS

CONNECTORS

J1 TOP
NODES 1 2 3 4 5 6 7 8 9 10
EOS

NAMED NODES

1 00
2 01
3 02
4 03
5 04
6 05
7 06
8 07
9 08
10 09
11 UN000000
12 UN000001
13 UN000002
14 UN000003
15 UN000004
16 UN000005
17 UN000006
18 UN000007
19 VCC
20 GND
EOS