

ITEM RECD. DWG. NO. NAME SIZE

ITEM RECD. DWG. NO. NAME SIZE

ITEM RECD. DWG. NO. NAME SIZE

RECD. SIZE NEXT ASSEMBLY

CHANGES: (A) NEW ARTWORK REDESIGNED TO ELIMINATE MOD. KITS, CHANGE FORMAT

HIGHEST REFERENCE DESIGNATOR
R42 C21
REF DESIGNATOR NOT USED

1 395-0060032

CLASS MODEL EFFICIENCY

095-0010967

WICHITA FILE

- 4. PINS 101, 102, 301 & 302 ARE GRD
- 3. PINS 1, 2, 201 & 202 ARE +5V
- 2. ALL RESISTORS ARE .25W - ±5%
- 1. REFERENCE BOARD-PLUGIN 095-0010969

NOTES:
S.W. OR PARTS

REVISION ON SHEET NUMBER											
2	3	4	5	6	7	8	9	10	11	12	
A	A	A	A	A	A	A	A	A	A	A	

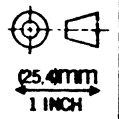
1 46900399 W 7-73
REV. RELEASE NO. DPTS. DATE

THE NATIONAL CASH REGISTER CO. DAYTON, OHIO

UNIT BALL PRINTER MECHANISM
NAME SCHEMATIC - LOGIC
(BALL CONTROL INTERFACE)

095-0010967

095-001034



FUNCTION	INPUT PIN	OUTPUT PIN	PAGE/ZONE	REMARKS	FUNCTION	INPUT PIN	OUTPUT PIN	PAGE/ZONE	REMARKS	FUNCTION	INPUT PIN	OUTPUT PIN	PAGE/ZONE	REMARKS
SMB7 *	247		9-4C	PROCESSOR (BUSSED)										
SMB8 *	246		9-3C											
SMB9 *	245		9-4C											
SPOS01 *	212													
SPOS02 *	217													
SPOS03 *	222													
SPT00 *	227		9-4B											
SSEL *	251													
SSTB *	248		9-4B											
STERM *	48			PROCESSOR (BUSSED)										
+5 VOLTS	001			PROCESSOR (BUSSED)										
	002													
	201													
+5 VOLTS	202			PROCESSOR (BUSSED)										
+12 VOLTS	52			PROCESSOR (BUSSED)										
-12 VOLTS	51			PROCESSOR (BUSSED)										
GROUND		54	5-2C	PRINTER MOTOR CONTROL										
		57	6-1C											
		59	5-1B											
		65	5-1C											
	67		5-3D											
	69		6-3B											
	73		6-4A											
	75		10-3B											
	77		8-4C											
	79		6-4B											
		81	6-1D											
		83	5-2C											
	85		7-4B											
	87		6-3B											
	89		5-3D											
	91		10-3D											
	93		8-4C											
		95	5-2C											
		97	6-2C											
		99	5-2A											
		101	5-1B	PRINTER MOTOR CONTROL										
	102			PROCESSOR (BUSSED)										
	301			PROCESSOR (BUSSED)										
GROUND	302			PROCESSOR (BUSSED)										

REV. DATE NEW ASSEMBLY
1 B 395-0060032

CLASS MODEL EFFICIENCY
095-0010967

WICHITA FILE

NOTES
SIMILAR PARTS
A NEW

3
1/23
NCR000398M W7-73
REV. RELEASE NO. DFTL DATE

THIS DRAWING AND INFORMATION THEREON IS THE PROPERTY OF THE NATIONAL CASH REGISTER COMPANY AND ALL RIGHTS RESERVED. USE AND REPRODUCTION IS PROHIBITED.		NCR THE NATIONAL CASH REGISTER CO DAYTON, OHIO	
CLASS M3 START 7-73 DFTS MW DESIGNER A. J. ... APPD. ... SUPP. BY ... SUPPLEMENT 095-0010980	FINISH 7-73 CHSR	UNIT BALL PRINTER MECHANISM NAME SCHEMATIC-LOGIC (PIN SUMMARY) SHEET 3 OF 11 SCALE 095-0010967	095-0010967 0950010967

FIELD PRINT

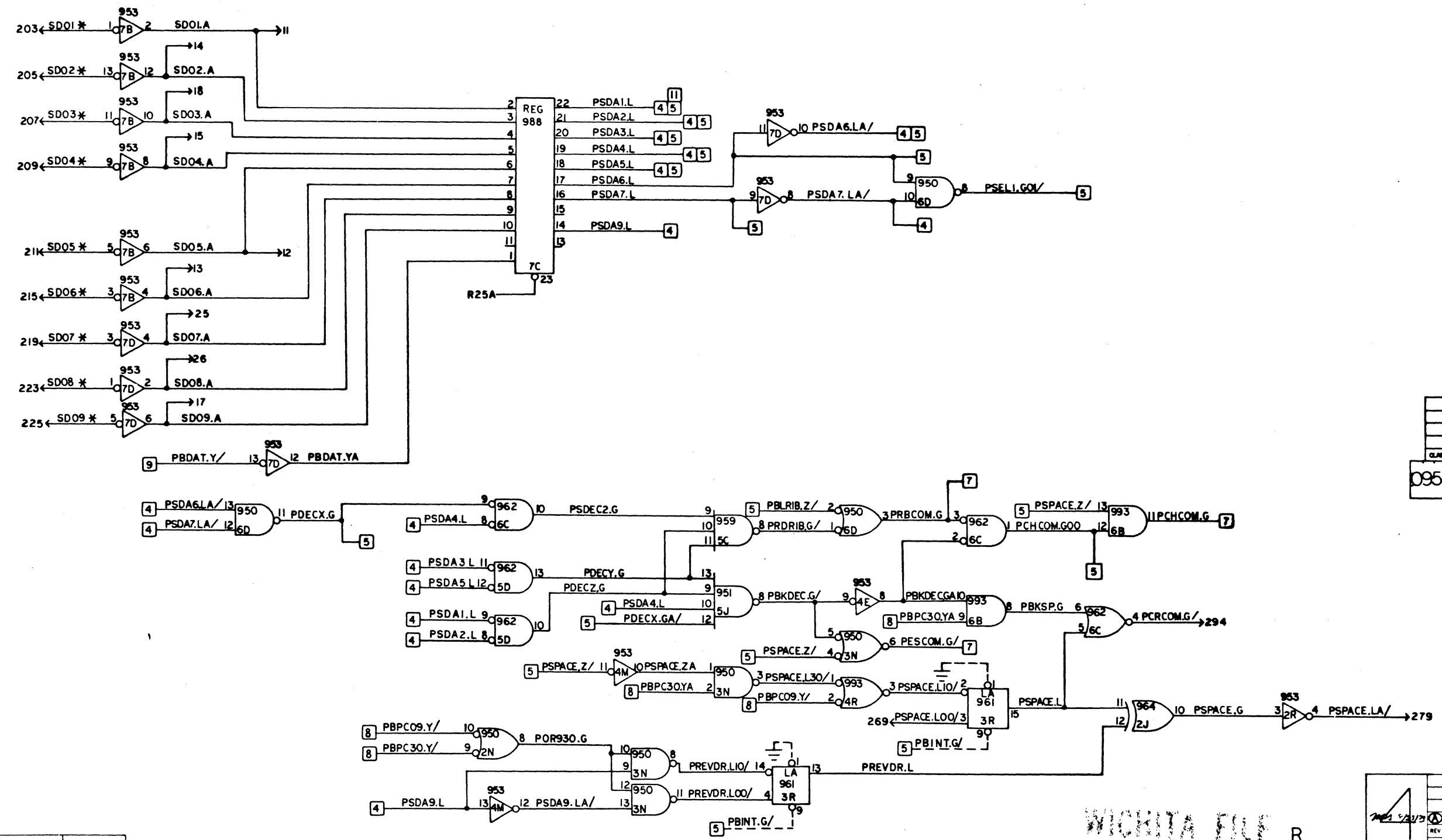
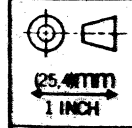
REV	DATE	BY	CHKD	DESCRIPTION
1				995-0010982

CLASS	MODEL	EFFECTIVITY

095-0010967

REV	RELEASE NO	DATE
4		

ASEROO388 MW7-73



NOTES
 1. SIMILAR PARTS
 2. CHANGES (A) NEW

WICHITA FILE R

STD QUALITY SEE SPECIFICATION	CLASS M-41-2-399 00	THE NATIONAL CASH REGISTER CO. DAYTON, OHIO
UNLESS OTHERWISE SPECIFIED DIMENSIONS SHALL BE IN INCHES	START 7-73	END 7-13-73
DESIGNER ZIMMERMAN	DATE 4-11	095-0010967
095-0010980		

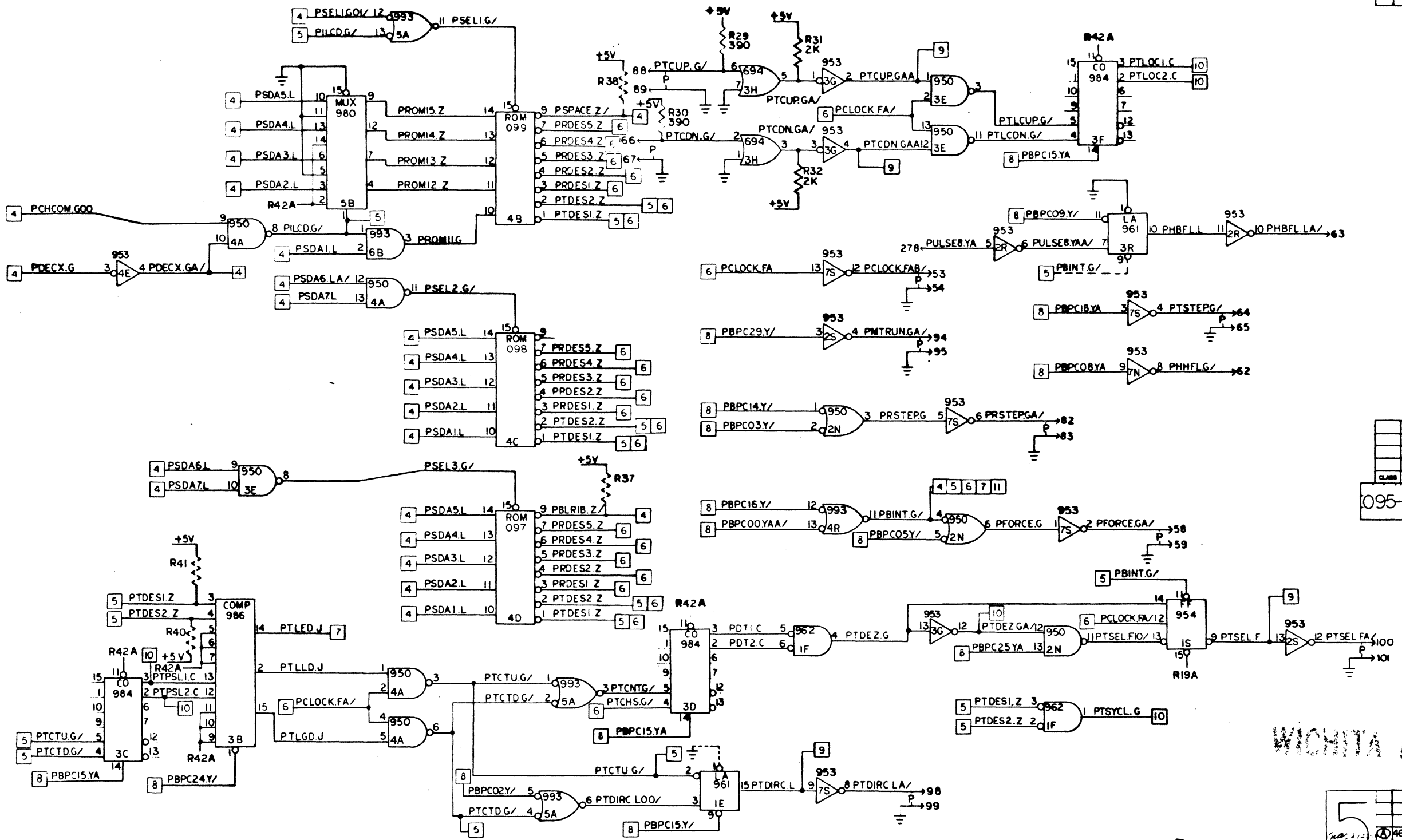
095-001034

FIELD PRINT

25.4mm
1 INCH

ITEM	REQD	QTY	NO	NAME	SIZE	ITEM	REQD	QTY	NO	NAME	SIZE	ITEM	REQD	QTY	NO	NAME	SIZE	ITEM	REQD	QTY	NO	NAME	SIZE
------	------	-----	----	------	------	------	------	-----	----	------	------	------	------	-----	----	------	------	------	------	-----	----	------	------

REV	DATE	REV	ASSEMBLY
1	8	395-001032	



095-0010967

WICHITA FILE

NOTES

1. NEW

2. NEW

3. NEW

4. NEW

5. NEW

6. NEW

7. NEW

8. NEW

9. NEW

10. NEW

11. NEW

12. NEW

13. NEW

14. NEW

15. NEW

16. NEW

17. NEW

18. NEW

19. NEW

20. NEW

21. NEW

22. NEW

23. NEW

24. NEW

25. NEW

26. NEW

27. NEW

28. NEW

29. NEW

30. NEW

31. NEW

32. NEW

33. NEW

34. NEW

35. NEW

36. NEW

37. NEW

38. NEW

39. NEW

40. NEW

41. NEW

42. NEW

43. NEW

44. NEW

45. NEW

46. NEW

47. NEW

48. NEW

49. NEW

50. NEW

51. NEW

52. NEW

53. NEW

54. NEW

55. NEW

56. NEW

57. NEW

58. NEW

59. NEW

60. NEW

61. NEW

62. NEW

63. NEW

64. NEW

65. NEW

66. NEW

67. NEW

68. NEW

69. NEW

70. NEW

71. NEW

72. NEW

73. NEW

74. NEW

75. NEW

76. NEW

77. NEW

78. NEW

79. NEW

80. NEW

81. NEW

82. NEW

83. NEW

84. NEW

85. NEW

86. NEW

87. NEW

88. NEW

89. NEW

90. NEW

91. NEW

92. NEW

93. NEW

94. NEW

95. NEW

96. NEW

97. NEW

98. NEW

99. NEW

100. NEW

101. NEW

102. NEW

103. NEW

104. NEW

105. NEW

106. NEW

107. NEW

108. NEW

109. NEW

110. NEW

111. NEW

112. NEW

113. NEW

114. NEW

115. NEW

116. NEW

117. NEW

118. NEW

119. NEW

120. NEW

121. NEW

122. NEW

123. NEW

124. NEW

125. NEW

126. NEW

127. NEW

128. NEW

129. NEW

130. NEW

131. NEW

132. NEW

133. NEW

134. NEW

135. NEW

136. NEW

137. NEW

138. NEW

139. NEW

140. NEW

141. NEW

142. NEW

143. NEW

144. NEW

145. NEW

146. NEW

147. NEW

148. NEW

149. NEW

150. NEW

151. NEW

152. NEW

153. NEW

154. NEW

155. NEW

156. NEW

157. NEW

158. NEW

159. NEW

160. NEW

161. NEW

162. NEW

163. NEW

164. NEW

165. NEW

166. NEW

167. NEW

168. NEW

169. NEW

170. NEW

171. NEW

172. NEW

173. NEW

174. NEW

175. NEW

176. NEW

177. NEW

178. NEW

179. NEW

180. NEW

181. NEW

182. NEW

183. NEW

184. NEW

185. NEW

186. NEW

187. NEW

188. NEW

189. NEW

190. NEW

191. NEW

192. NEW

193. NEW

194. NEW

195. NEW

196. NEW

197. NEW

198. NEW

199. NEW

200. NEW

201. NEW

202. NEW

203. NEW

204. NEW

205. NEW

206. NEW

207. NEW

208. NEW

209. NEW

210. NEW

211. NEW

212. NEW

213. NEW

214. NEW

215. NEW

216. NEW

217. NEW

218. NEW

219. NEW

220. NEW

221. NEW

222. NEW

223. NEW

224. NEW

225. NEW

226. NEW

227. NEW

228. NEW

229. NEW

230. NEW

231. NEW

232. NEW

233. NEW

234. NEW

235. NEW

236. NEW

237. NEW

238. NEW

239. NEW

240. NEW

241. NEW

242. NEW

243. NEW

244. NEW

245. NEW

246. NEW

247. NEW

248. NEW

249. NEW

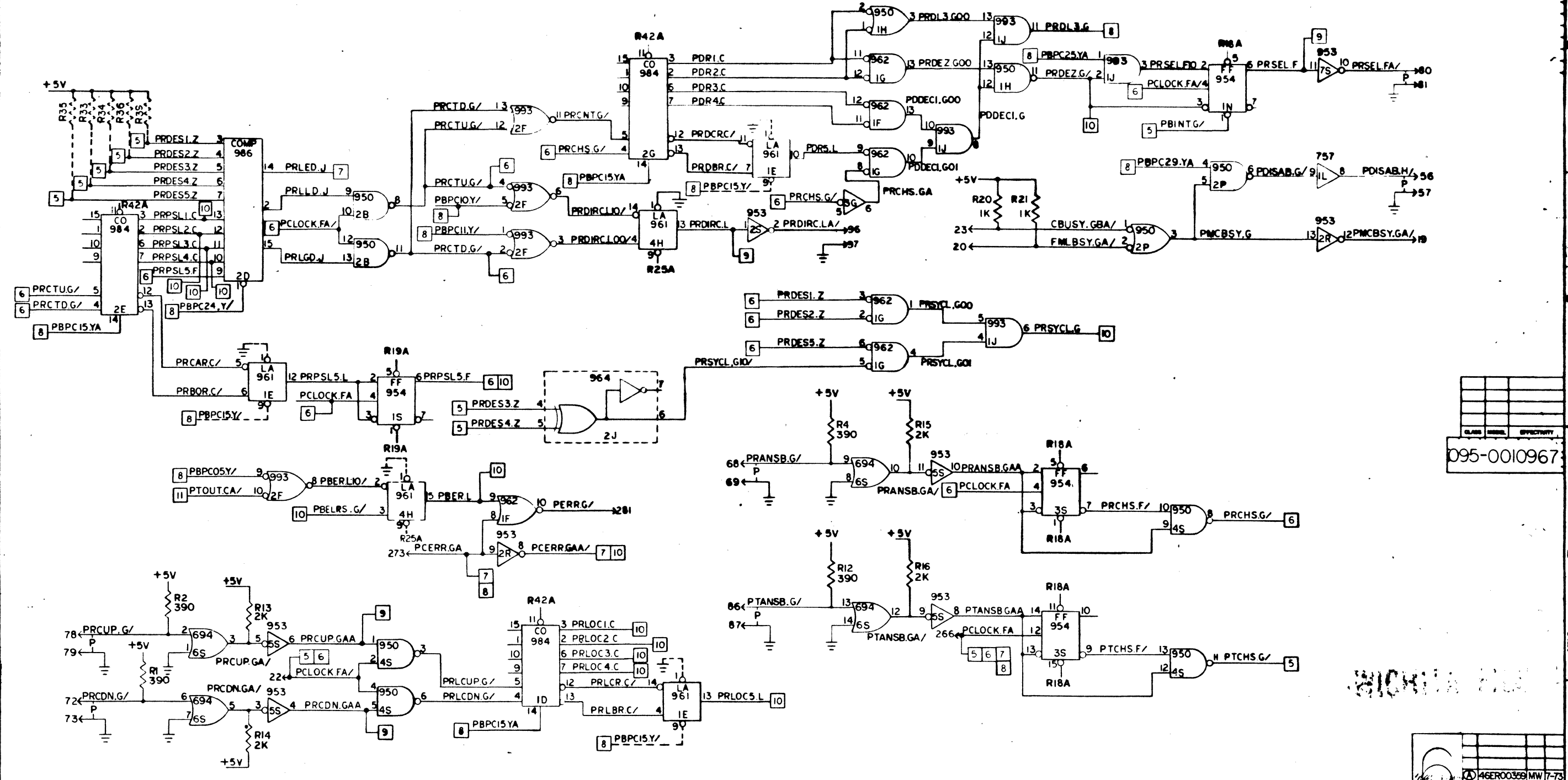
250. NEW

095-0011034

FIELD PRINT

25.4111
1 INCH

REV	DATE	BY	ASSEMBLY
1	8	395	0060032



CLASS	REVISION	SPECIFICATION
095-0010967		

NOTES

CHANGE (A) NEW

DATE: 7-13-73

BY: MW

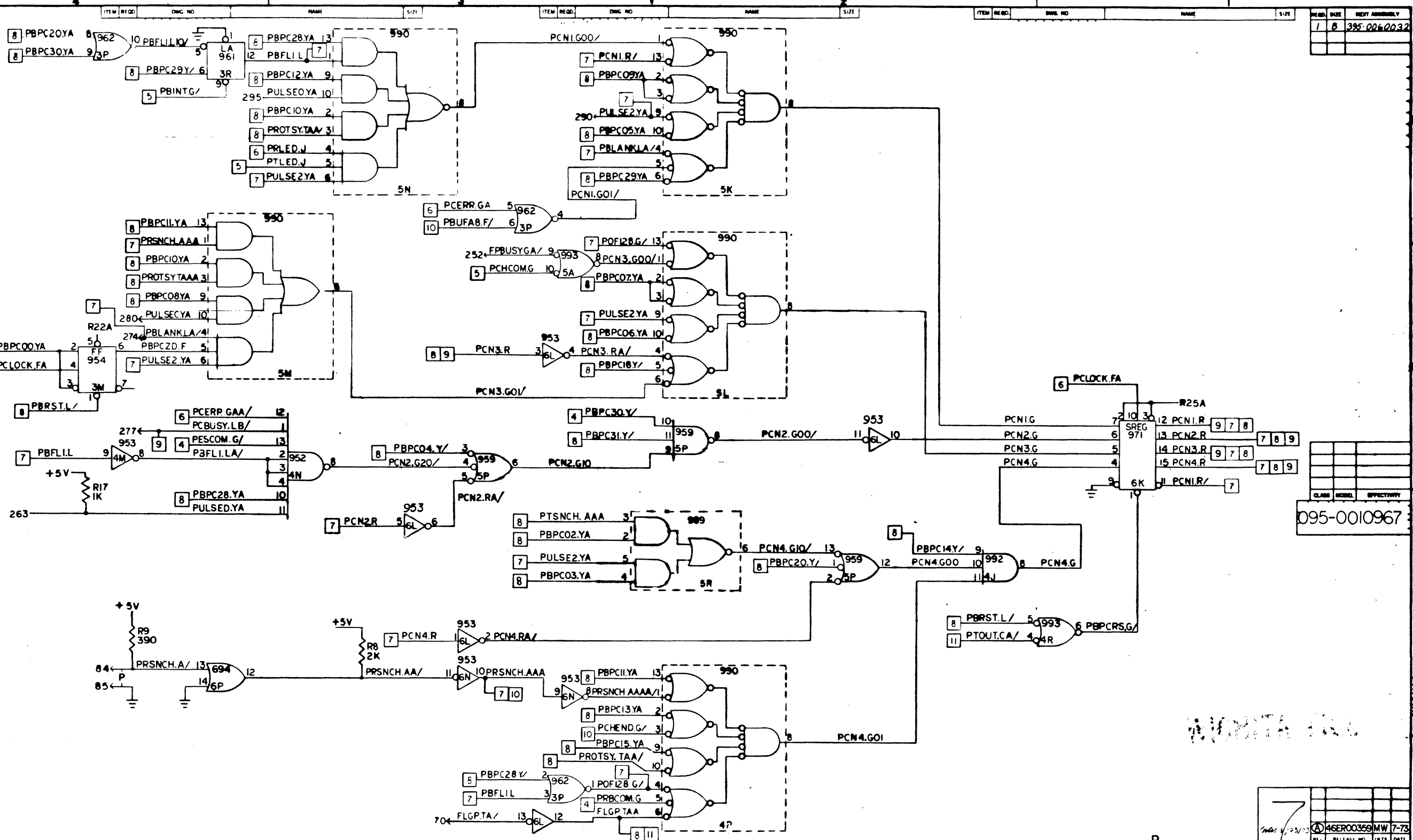
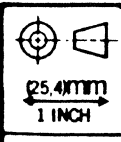
APPROVED: ZIMMERMAN

46ER00359 MW 7-73

095-0010967

095-0011034

FIELD PRINT



REQ. NO.	DATE	REV. NO.	BY
1	8	395-0060032	

CLASS	MODEL	EFFECTIVITY

095-0010967

NOTES:
 1. SIMILAR PARTS
 2. NEW

7			

46ER00369 MW 7-73

095-0010967

FIELD PRINT

095-0010980

095-001034

7-13-73

MW

ZIMMERMAN

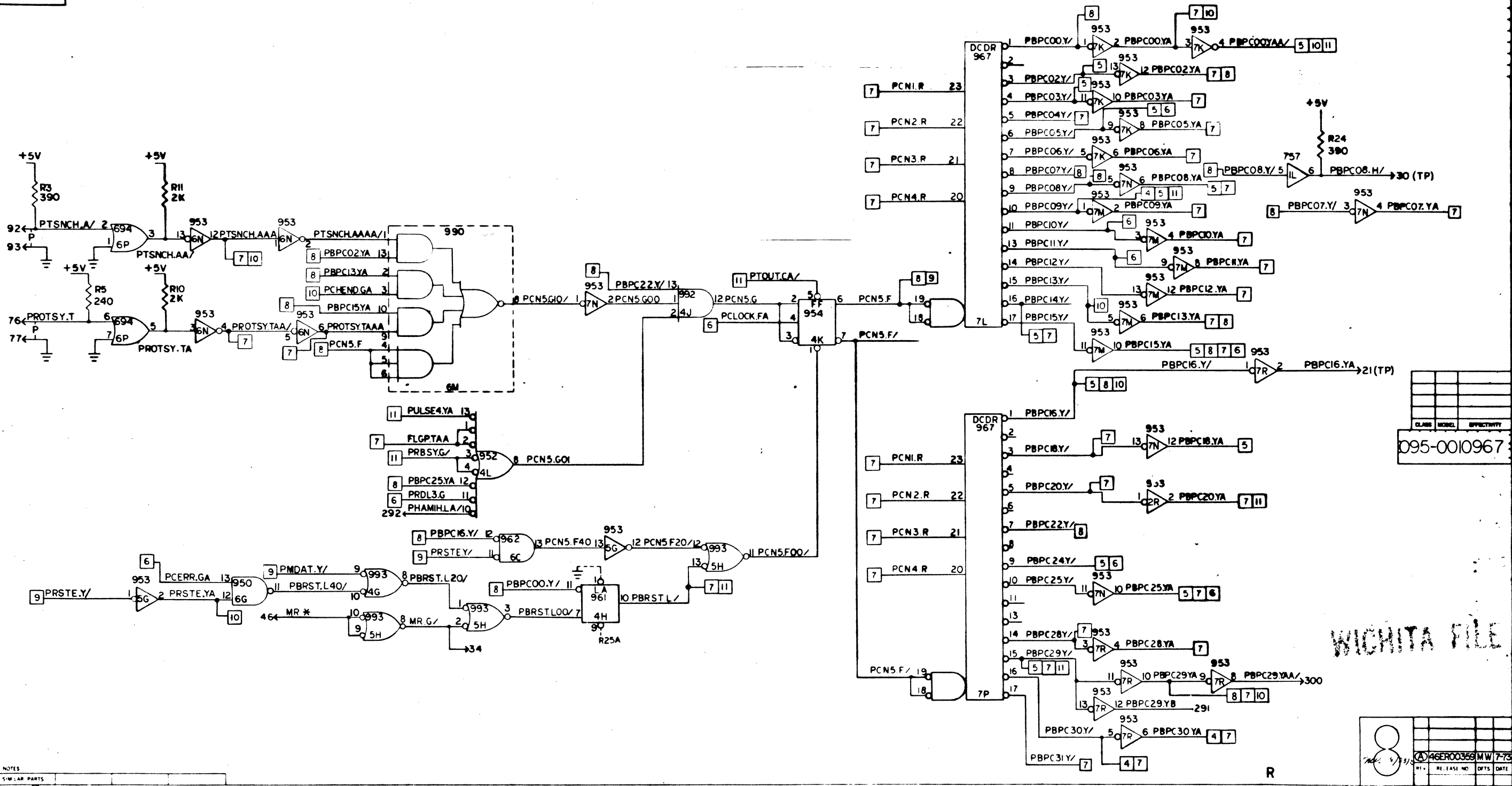
SCHEMATIC-LOGIC

BALL PRINTER MECHANISM

(BALL CONTROL INTERFACE)



ITEM	REQD	DWG NO	NAME	SIZE	ITEM	REQD	DWG NO	NAME	SIZE	ITEM	REQD	DWG NO	NAME	SIZE	REV	DATE	NEXT ASSEMBLY



CLASS	RECD	EFFECTIVITY
095-0010967		

NOTES
 SIMILAR PARTS
 A CHANGES (A) NEW

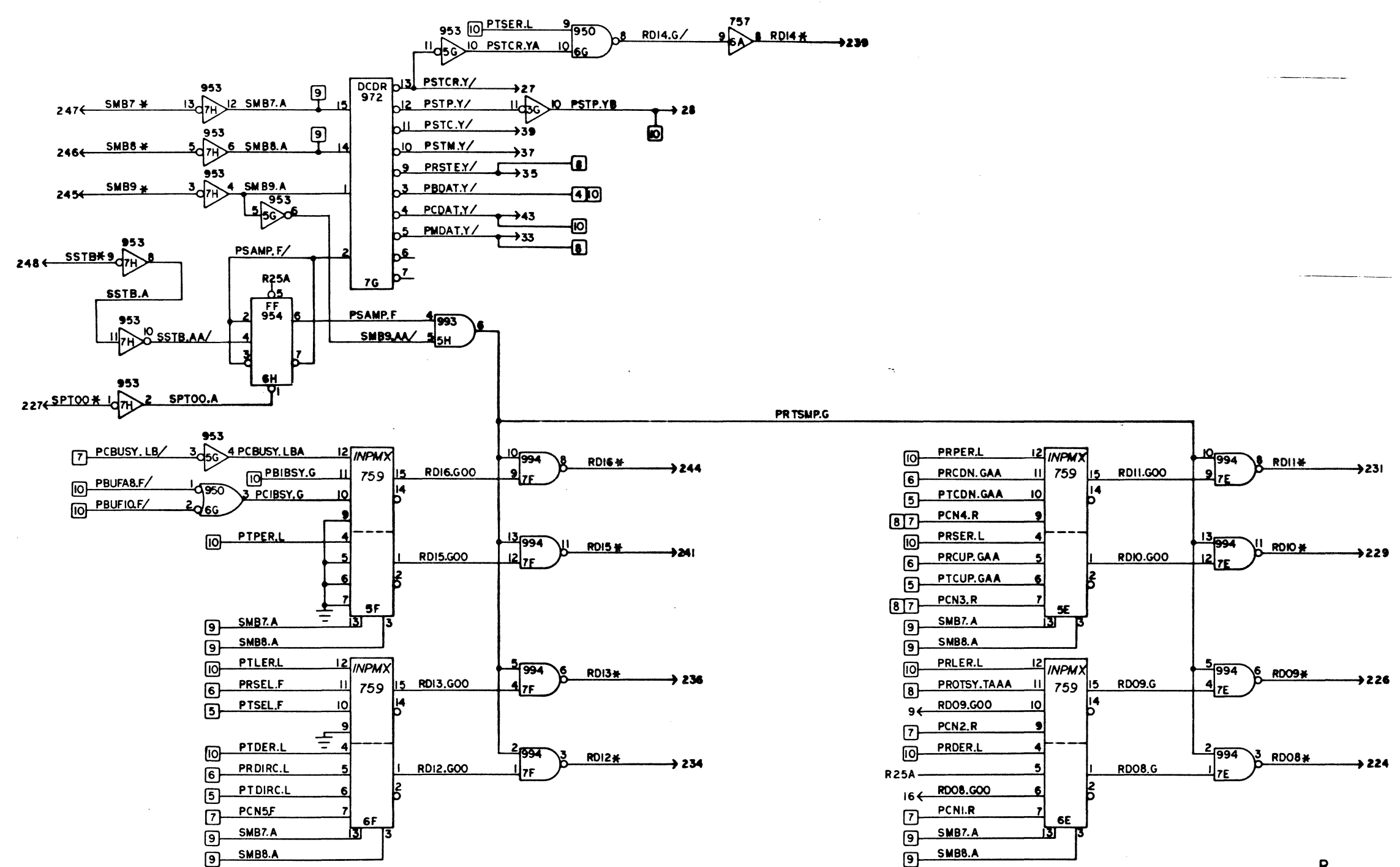
MATERIAL COATING BRAZE HEAT TREAT HARDNESS	NCR THE NATIONAL CASH REGISTER CO DAYTON OHIO 7-73 7-13-73 MW ZIMMERMAN SCHEMATIC-LOGIC (BALL CONTROL INTERFACE) 095-0010980 095-001034	095-0010967 095-001034
--	---	---------------------------

FIELD PRINT



ITEM	REQD.	DWG. NO.	NAME	SIZE	ITEM	REQD.	DWG. NO.	NAME	SIZE	ITEM	REQD.	DWG. NO.	NAME	SIZE	REV.	DATE	BY	CHKD.	
															1				

REV.	DATE	BY	CHKD.
1			



CLASS	MODEL	SPECIFICITY

095-0010967

NOTES
CHANGES A NEW

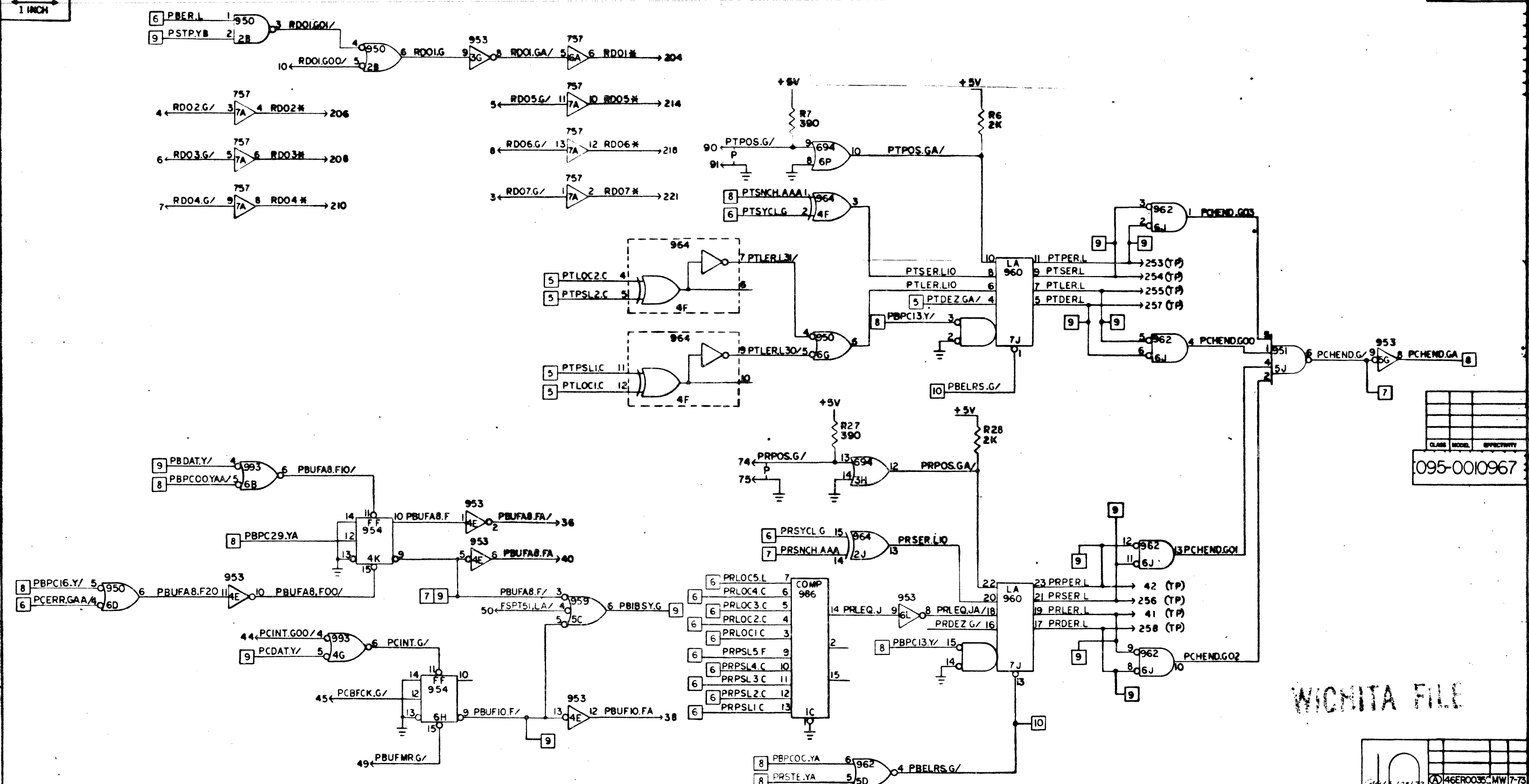
CLASS	MODEL	SPECIFICITY
M-41-2-399-00		
START	7-73	7-13-73
DATE	MW	
DESIGNER	ZIMMERMAN	
APPR		
SHEET	9	
REV.		
095-0010980		
095-001034		

FIELD PRINT



ITEM	REQD	QTY	NAME	SIZE	ITEM	REQD	QTY	NAME	SIZE	ITEM	REQD	QTY	NAME	SIZE

REV	DATE	BY	ASSEMBLY
1	B		395-0060032



NOTES
SIM. LAB PARTS

CHANGES (A) NEW

DATE	BY	DESCRIPTION

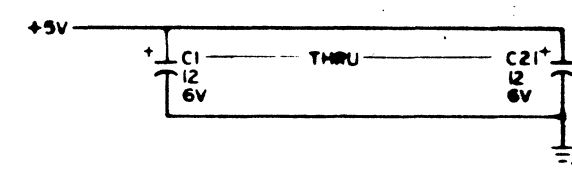
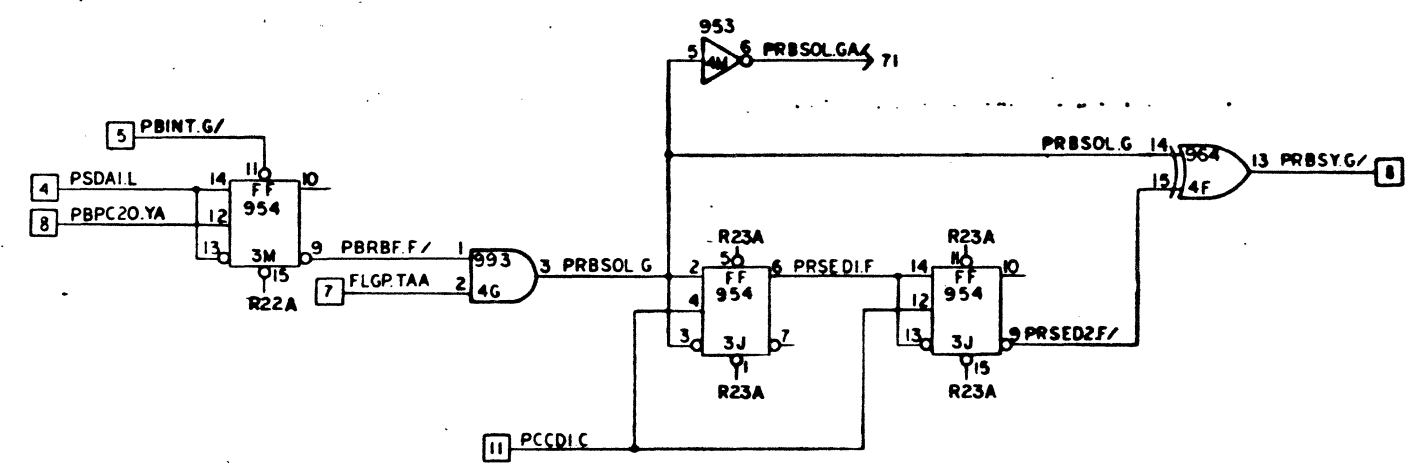
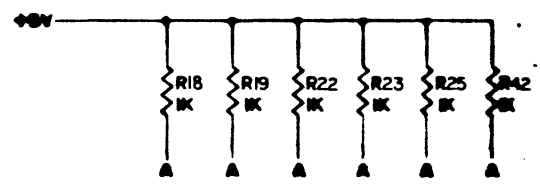
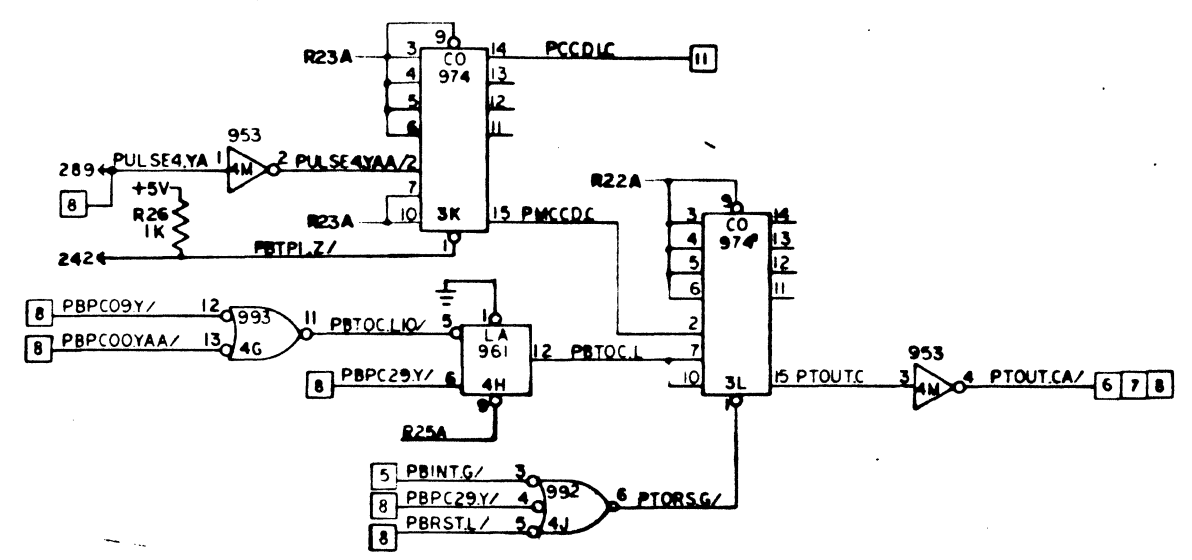
MATERIAL	DATE	BY	DESCRIPTION

FORM 7-73	M-412399-00	NCR	THE NATIONAL CASH REGISTER CO DAYTON, OHIO
MW	ZIMMERMAN	7-73	7-13-73
095-0010980	2.9550	095-0010967	
095-001034		FIELD PRINT	

WICHITA FILE

R.

REV	DATE	BY	ASSEMBLY



ITEM	QTY	DESCRIPTION
1	1	365-001034

CLASS	REVISION	DATE

095-0010967

WICHITA FILE

NOTES:
 1. SIMILAR PARTS:
 A CHANGES (4) NEW

DATE: 7-13-73 DRAWN: ZIMMERMAN CHECKED: ZIMMERMAN APPROVED: ZIMMERMAN		THE NATIONAL CASH REGISTER CO. DAYTON, OHIO NCR BALL PRINTER MECHANISM SCHEMATIC-LOGIC (BALL CONTROL INTERFACE)
PART NO.: M-41-2-399-00 REV: 7-13-73 FILE NO.: 095 0010980 DRAWING NO.: 095 001034		PROJECT NO.: 095 0010967 SHEET NO.: 2 OF 5

FIELD PRINT