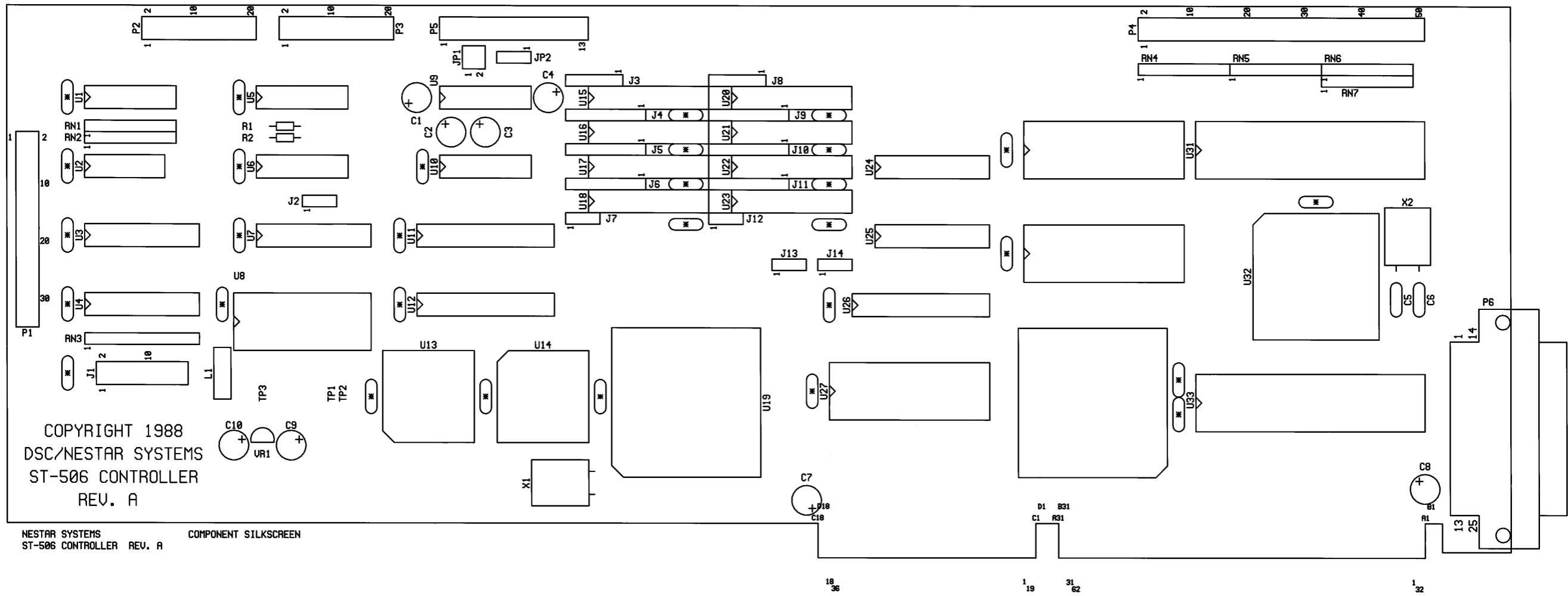


COPYRIGHT 1988  
DSC/NESTAR SYSTEMS  
ST-506 CONTROLLER  
REV. A

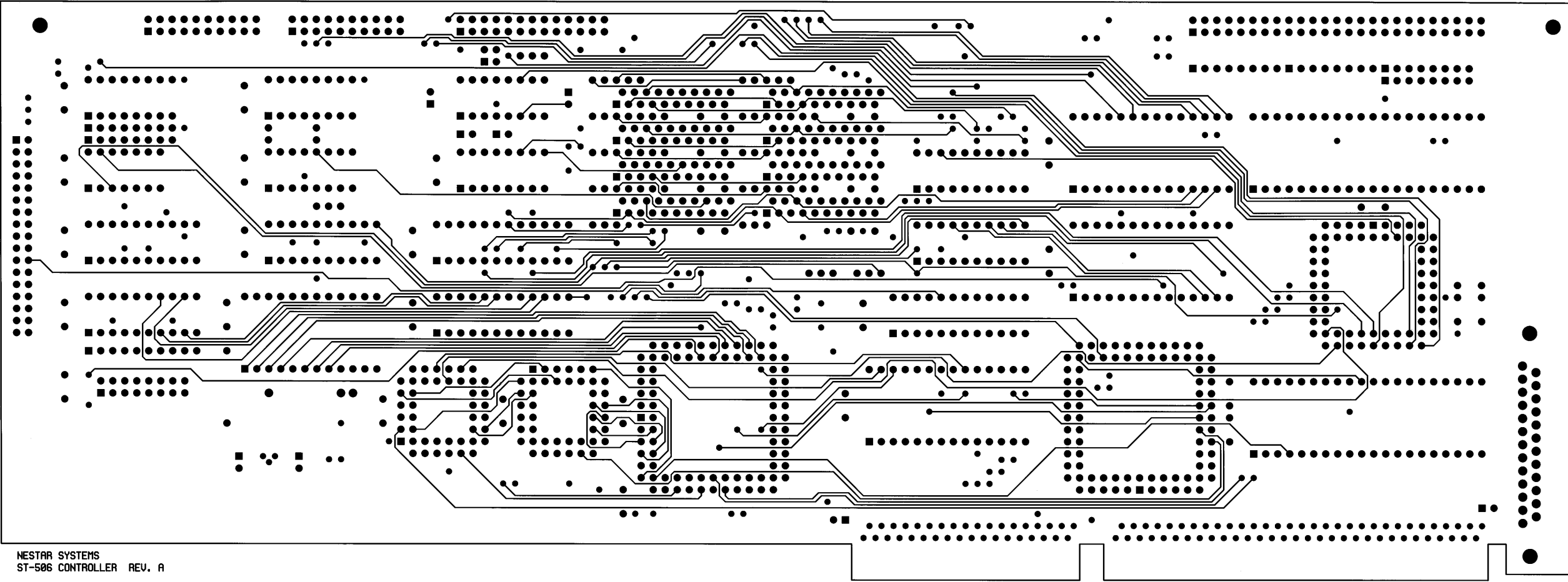
NESTAR SYSTEMS COMPONENT SILKSCREEN  
ST-506 CONTROLLER REV. A



18  
36

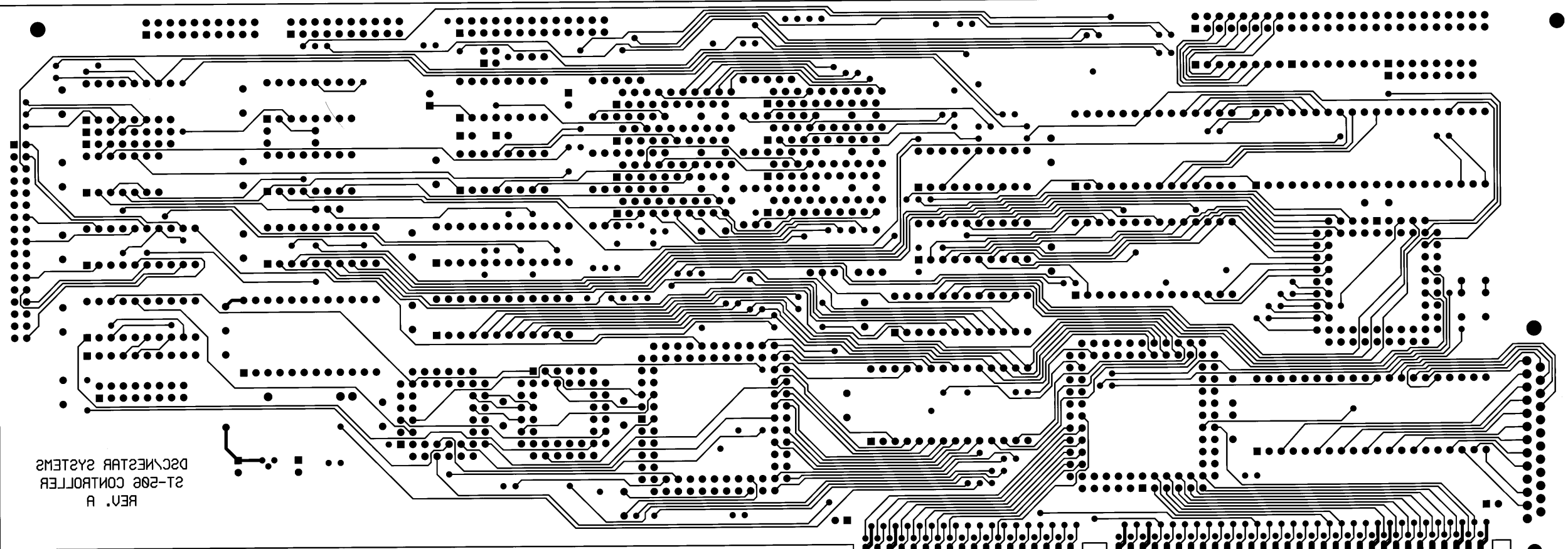
D1 B31  
C1 R31  
1 19 31 62

1 32  
R1 B1



NESTAR SYSTEMS  
ST-506 CONTROLLER REV. A

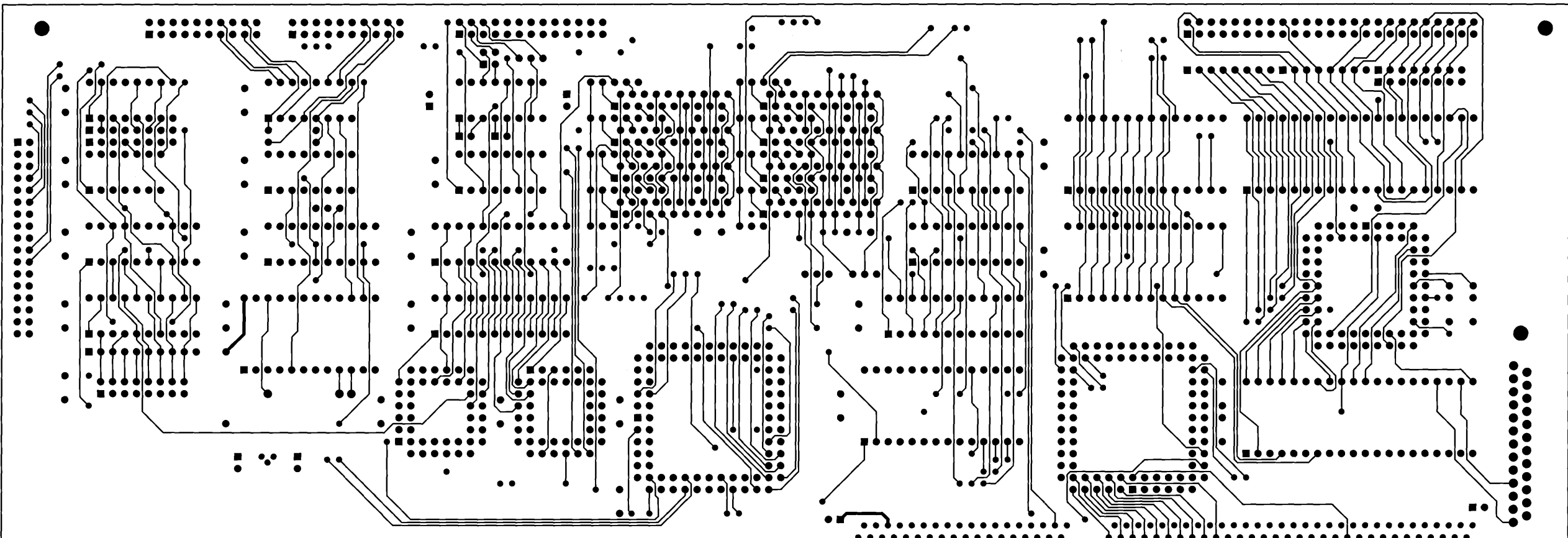
INTERNAL 2



NESTAR SYSTEMS  
ST-506 CONTROLLER  
REV. A

NESTAR SYSTEMS  
ST-506 CONTROLLER REV. A

SOLDER SIDE



NESTAR SYSTEMS  
ST-506 CONTROLLER REV. A COMPONENT SIDE

