

A	PROD REL	DF	7/2/88
REV	DESC	BY	DATE
DWN	UTU	5-27-88	
CHK:	ALD	5-27-88	
APPD:			

MAD INTELLIGENT SYSTEMS
 SAN JOSE, CALIFORNIA
 TITLE BLOCK DIAGRAM
 786PVE PWA
 SIZE DRWN NUMBER B00048 REV A
 D LTY
 DATE APR 05, 1988 SHEET 1 OF 1

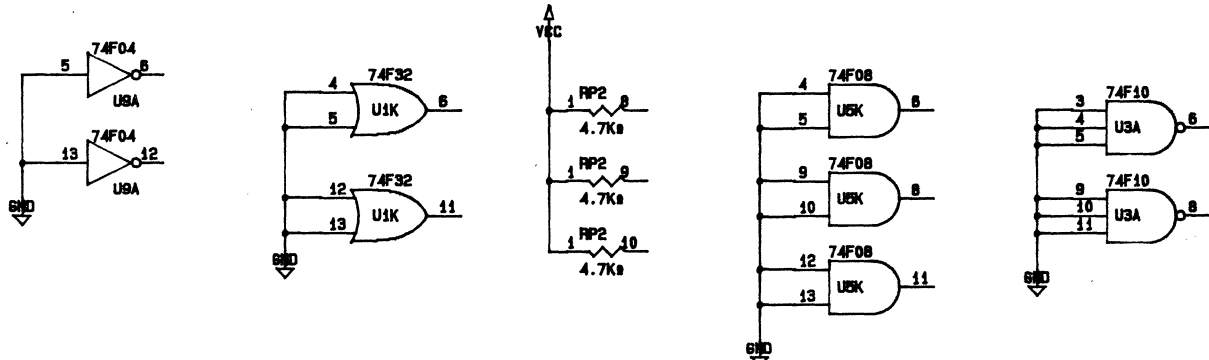
REFERENCE DESIGNATION	DEVICE TYPE	+5V	GND	+12V	-12V	-5V
U2L U5M	4040	18	9			
U8A	74F04	14	7			
U8K	74F08	14	7			
U3A	74F10	14	7			
U4N	74F20	14	7			
U1K	74F32	14	7			
U4D	74F74	14	7			
U4B U4C	74F86	14	7			
U2A	74AS158	16	8			
U2H	74F174	16	8			
U2F U5N	74F175	16	8			
U2K	74F240	20	10			
U8K	74LS240	20	10			
U8G U8K U2N U5M	74F244	20	10			
U8A U8L U8N	74F245	20	10			
U2B U2C U2D U2E	74AS258	16	8			
U8B U8C U8D U8E U8F U8G U8H U8J	74F258	16	8			
U4A U6F U5H U5H	74F273	20	10			
U3F	74F373	20	10			
U4B U4L U4M	74F374	20	10			
U8A	74F668	20	10			
U8L U8L U8N U8N U8N	74LS784	20	10			
U3K (TIMEPAL)	PAL 1888D	20	10			
U4J (CRSPAL)	PAL 1888D	20	10			
U8D (STATPAL)	PAL 20L88	24	12			
U8B (INTPAL)	PAL 20L88	24	12			
U8D (CSAPAL)	PAL 20L88	24	12			
U8B (CHTPAL)	PAL 20L88	24	12			
U3B (ATRPAL)	PAL 20R88	24	12			
U7F (SELPAL)	PAL 20R88	24	12			
U8F (FBPAL)	PAL 20R88	24	12			
U3D	PROM, TBPS8R16	18	24			
U4E U4F	RAM, 1MS1423	20	10			
U6L	RAM, 1M2015	24	12			

J1			
88	GND	88	GND
89	VOYA1	84	GND
90	GND	85	GND
91	VOYA3	86	GND
92	GND	87	GND
93	VOYA5	88	GND
94	GND	89	GND
95	VOYA7	90	GND
96	GND	91	GND
97	HSYNC	92	GND
98	ENVID	93	GND
99	HRESTEXT	94	GND
100	BNFHESRPH	95	GND
101	COLOR	96	GND
102	TEXT	97	GND
103	GND	98	GND
104	P10	99	GND
105	P30	100	GND
106	GND	101	GND
107	P1C	102	GND
108	P3C	103	GND
109	GND	104	GND
110	P1B	105	GND
111	P3B	106	GND
112	GND	107	GND
113	P1A	108	GND
114	P3A	109	GND
115	GND	110	GND
116	B25MHZ	111	GND
117	GND	112	GND
118	C25MHZ	113	GND
119	GND	114	GND

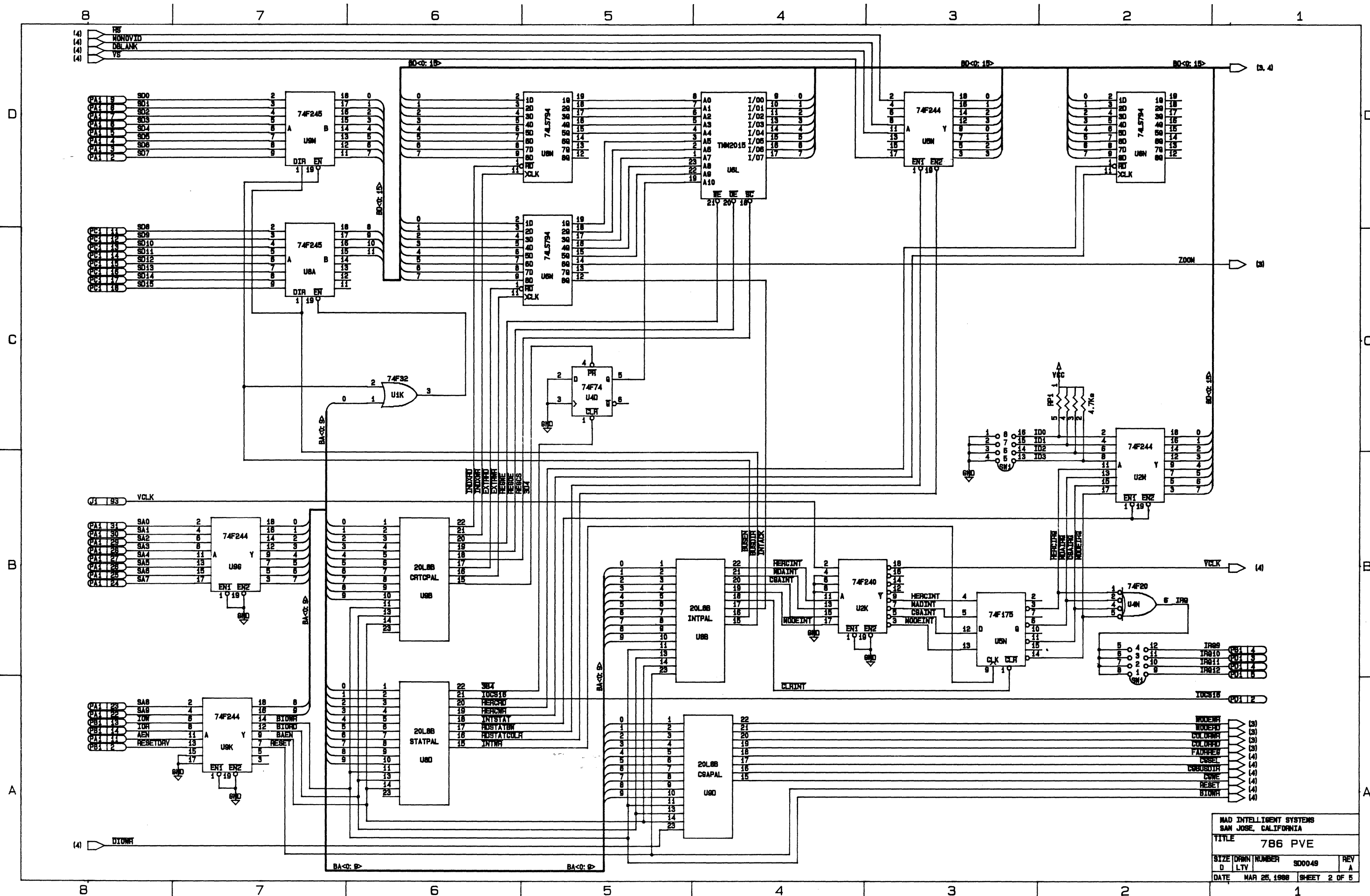
POS	OFF	ON
1	IR812 DISABLE	IR812 ENABLE *
2	IR811 DISABLE	IR811 ENABLE *
3	IR810 DISABLE	IR810 ENABLE *
4	IR809 DISABLE	IR809 ENABLE *
5	ID9 DISABLE	ID9 ENABLE *
6	ID8 DISABLE	ID8 ENABLE *
7	ID1 DISABLE	ID1 ENABLE *
8	ID0 DISABLE	ID0 ENABLE *

* FACTORY SETTING

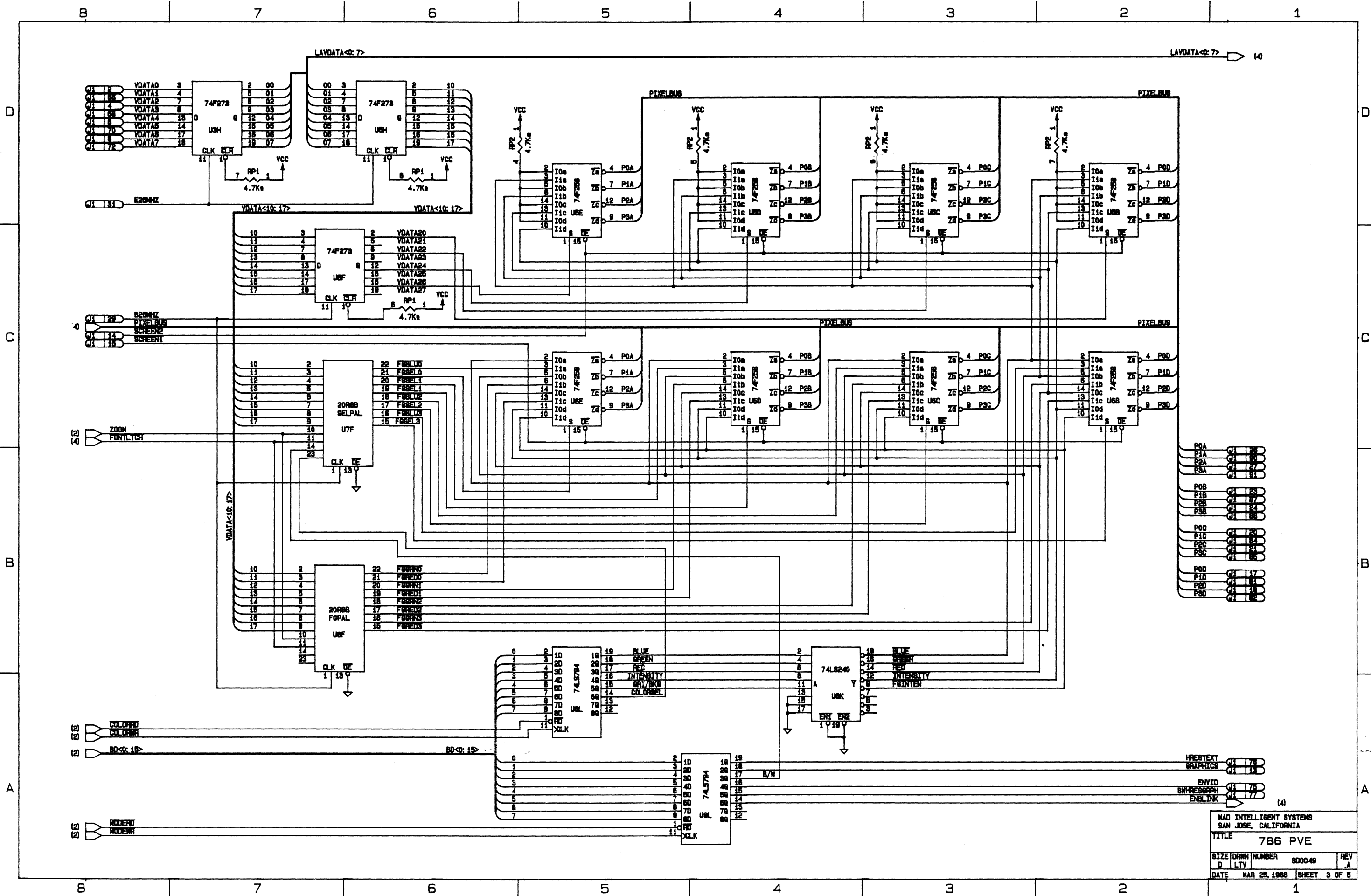
SPARE DEVICES



A	PROD REL PER CN 600	OF 5/27/88
REV	DESC	BY DATE
DWN: LTV	5-27-88	MAD INTELLIGENT SYSTEMS SAN JOSE, CALIFORNIA
CHK: A.R.D.	5-27-88	TITLE 786 PVE
APPD:		SIZE DRWN NUMBER 900049 REV A
		DATE MAR 20, 1988 SHEET 1 OF 5



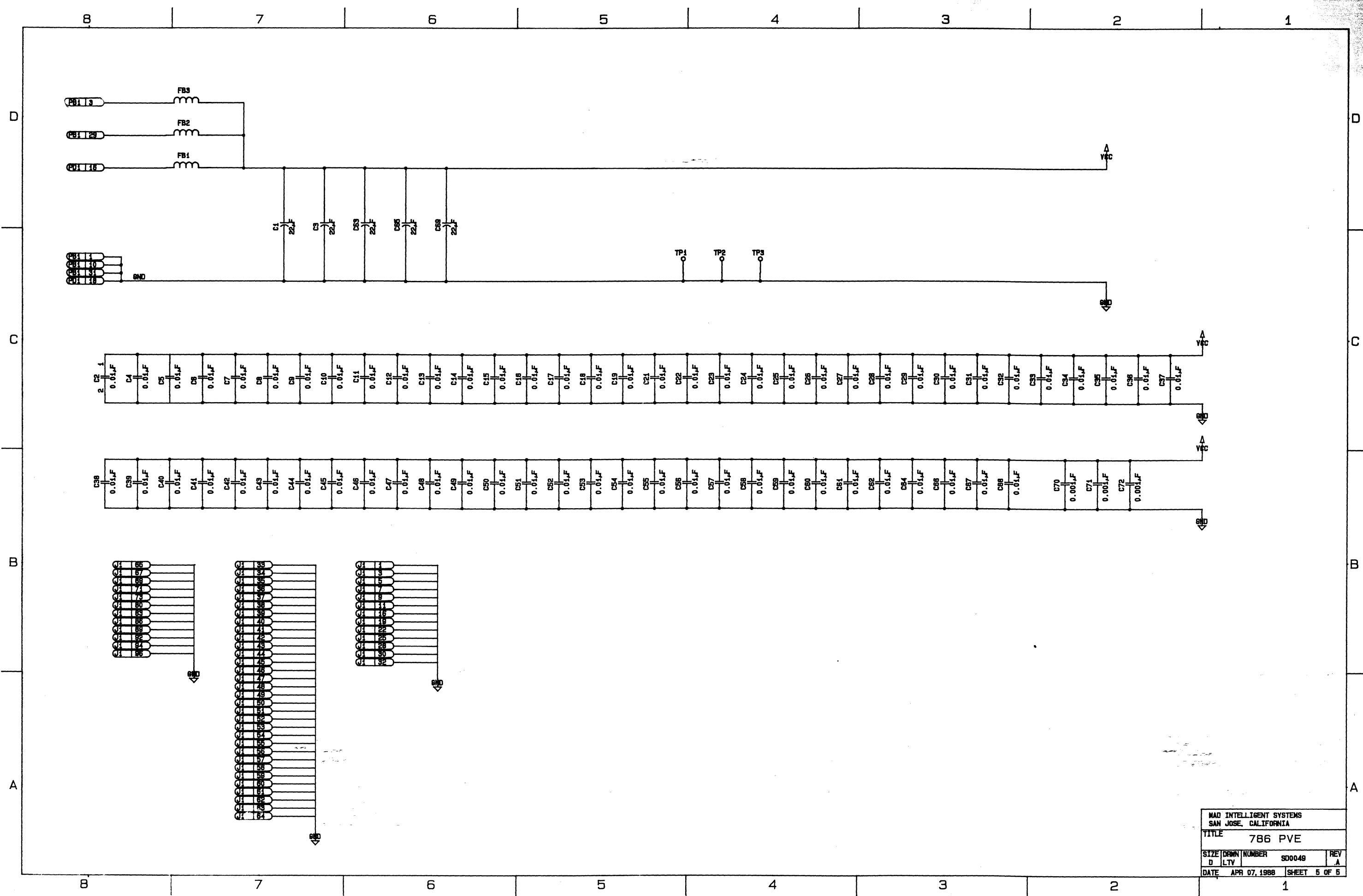
MAD INTELLIGENT SYSTEMS SAN JOSE, CALIFORNIA			
TITLE 786 PVE			
SIZE	DRWN	NUMBER	REV
D	LTV	S00049	A
DATE	MAR 25, 1988		SHEET 2 OF 6



- P0A Q1 28
- P1A Q1 29
- P2A Q1 30
- P3A Q1 31
- P0B Q1 32
- P1B Q1 33
- P2B Q1 34
- P3B Q1 35
- P0C Q1 36
- P1C Q1 37
- P2C Q1 38
- P3C Q1 39
- P0D Q1 40
- P1D Q1 41
- P2D Q1 42
- P3D Q1 43

- HRESTX Q1 76
- GRAPHICS Q1 77
- ENVID Q1 78
- BMPRESPPH Q1 79
- ENBLINK Q1 80

MAD INTELLIGENT SYSTEMS
 SAN JOSE, CALIFORNIA
 TITLE 786 PVE
 SIZE DRWN NUMBER 800048 REV A
 D LTY
 DATE MAR 25, 1988 SHEET 3 OF 5



MAD INTELLIGENT SYSTEMS SAN JOSE, CALIFORNIA			
TITLE 786 PVE			
SIZE	DRWN	NUMBER	REV
D	LTV	SD0049	A
DATE APR 07, 1988			SHEET 5 OF 5
			1