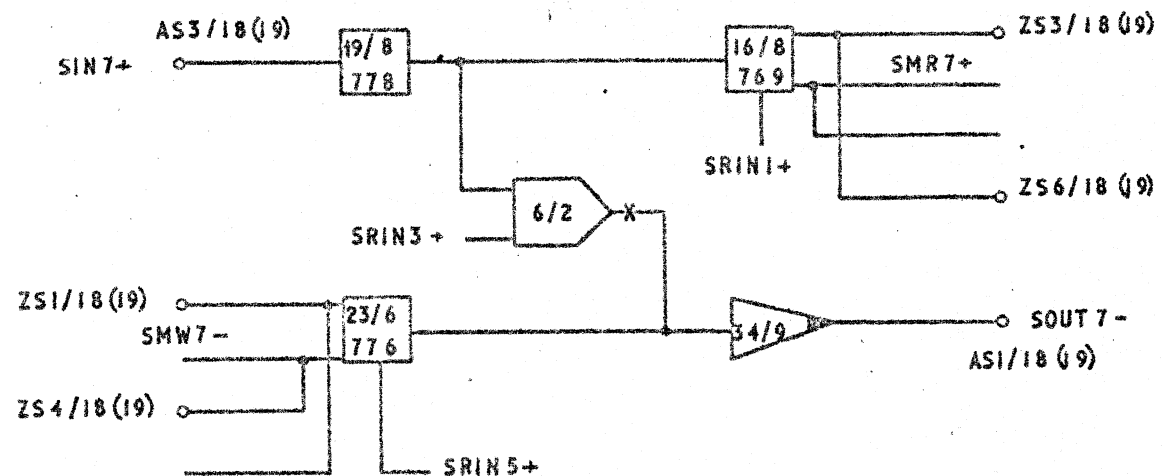
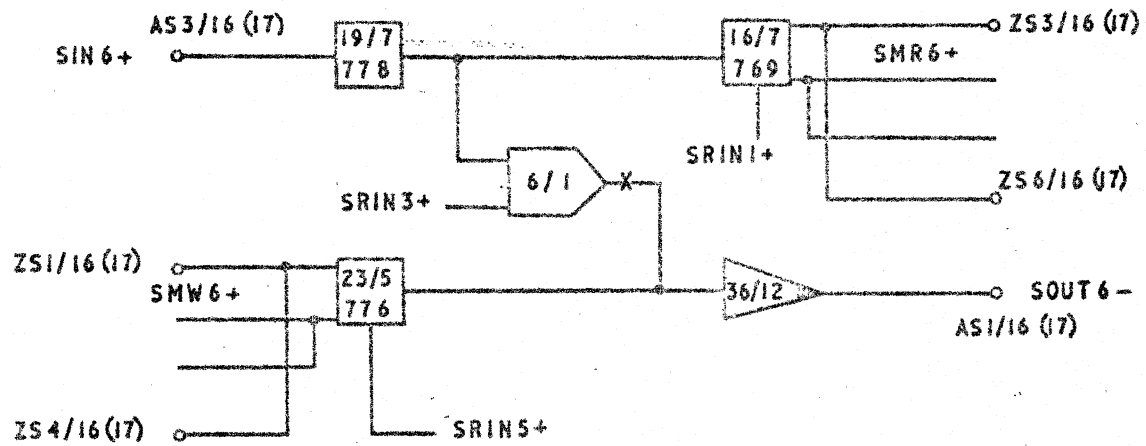
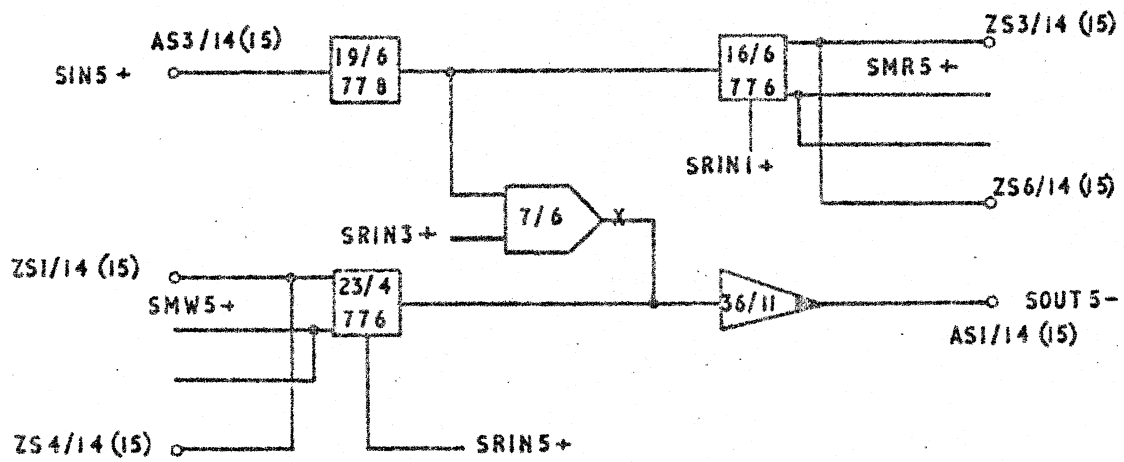
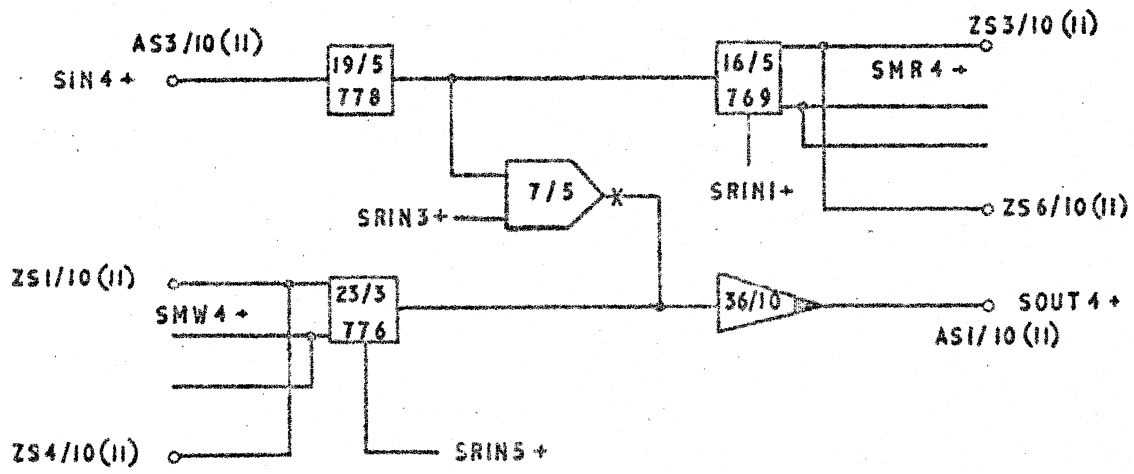


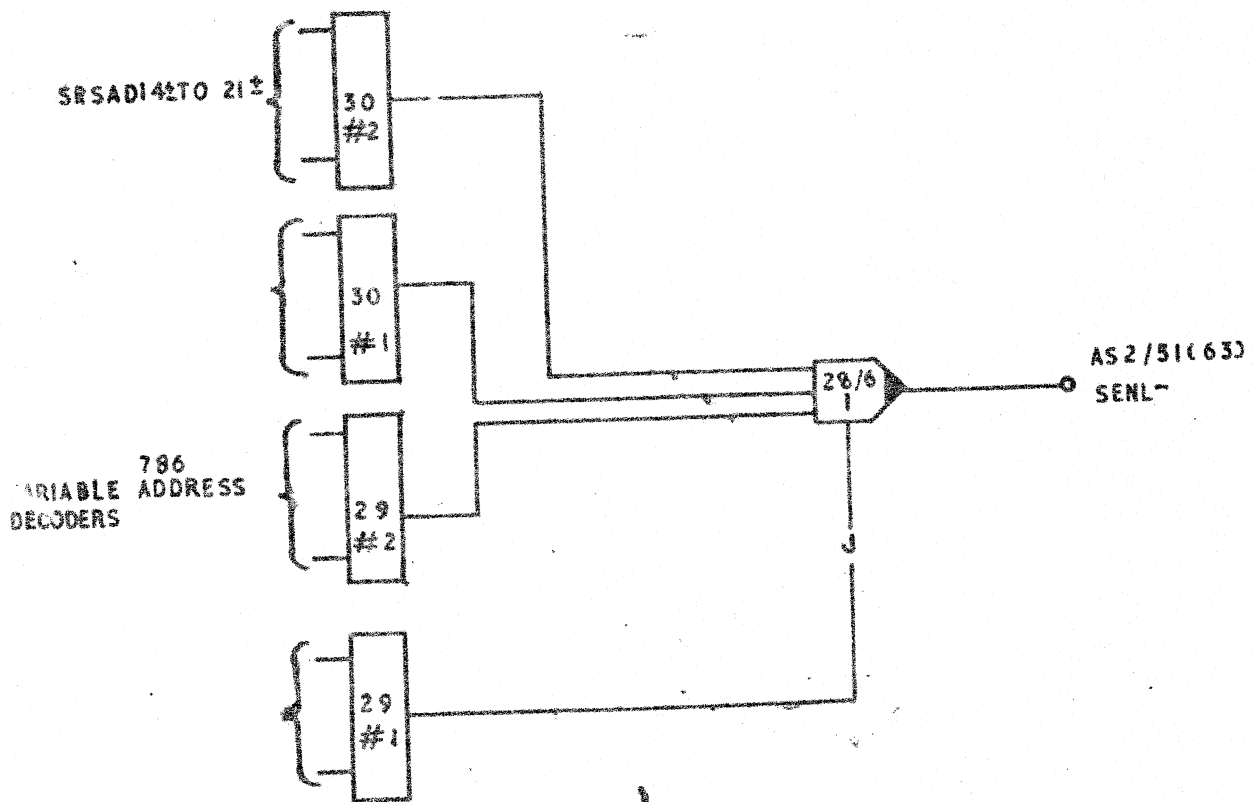
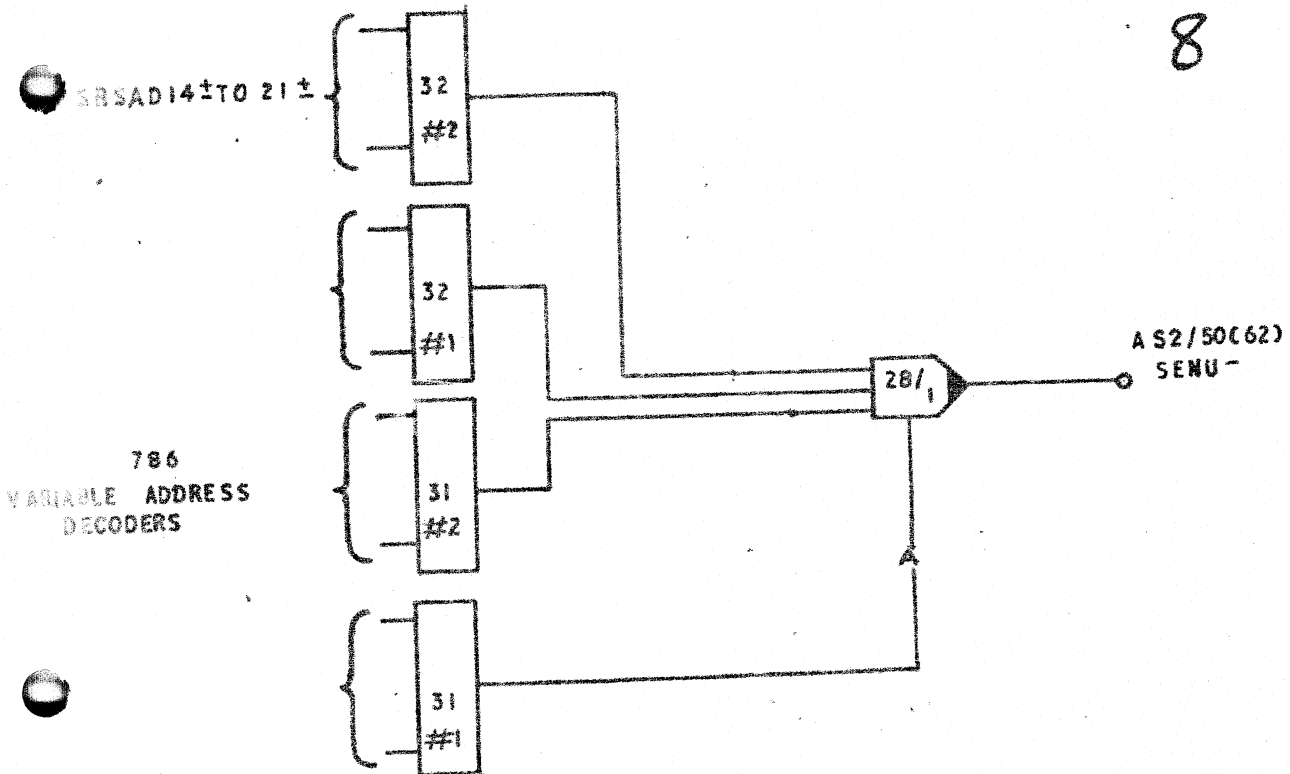
INDEX OF LOGICAL DRAWINGS FOR REMOTE STORE UNIT (WG006)

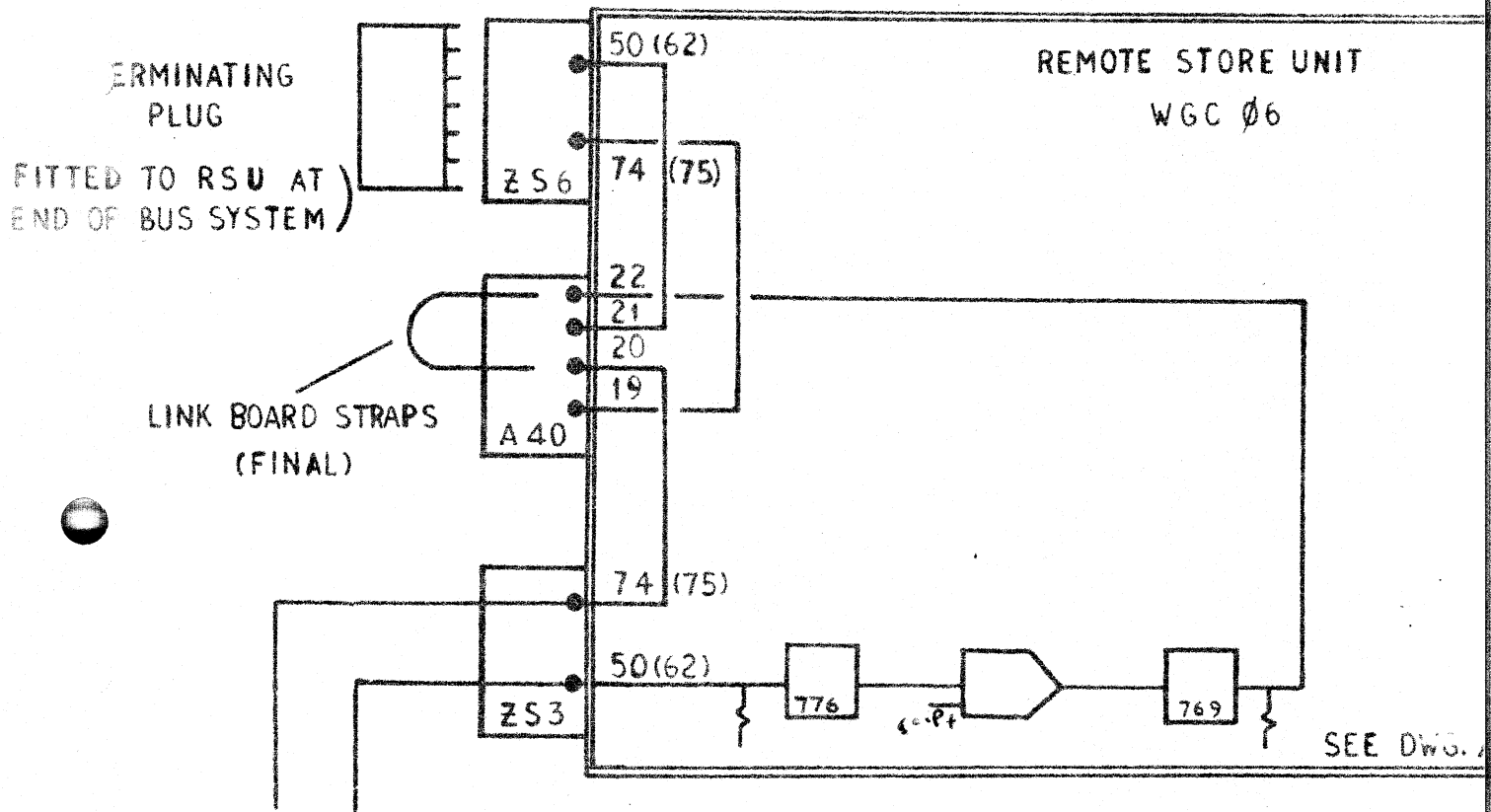
| | |
|---------|---------------------------------|
| WG006/1 | DATA HIGHWAYS |
| " / 2 | DATA HIGHWAYS |
| " / 3 | DATA HIGHWAYS |
| " / 4 | DATA HIGHWAYS |
| " / 5 | DATA HIGHWAYS |
| " / 6 | DATA HIGHWAYS |
| " / 7 | PARITY BIT & STORE TIMING |
| " / 8 | STORE DECODE |
| " / 9 | TIMING CONTROL |
| " / 10 | ADDRESS HIGHWAYS |
| " / 11 | STORE CONTROL |
| " / 12 | 'SINH' SCHEMATIC REMOTE STORES. |



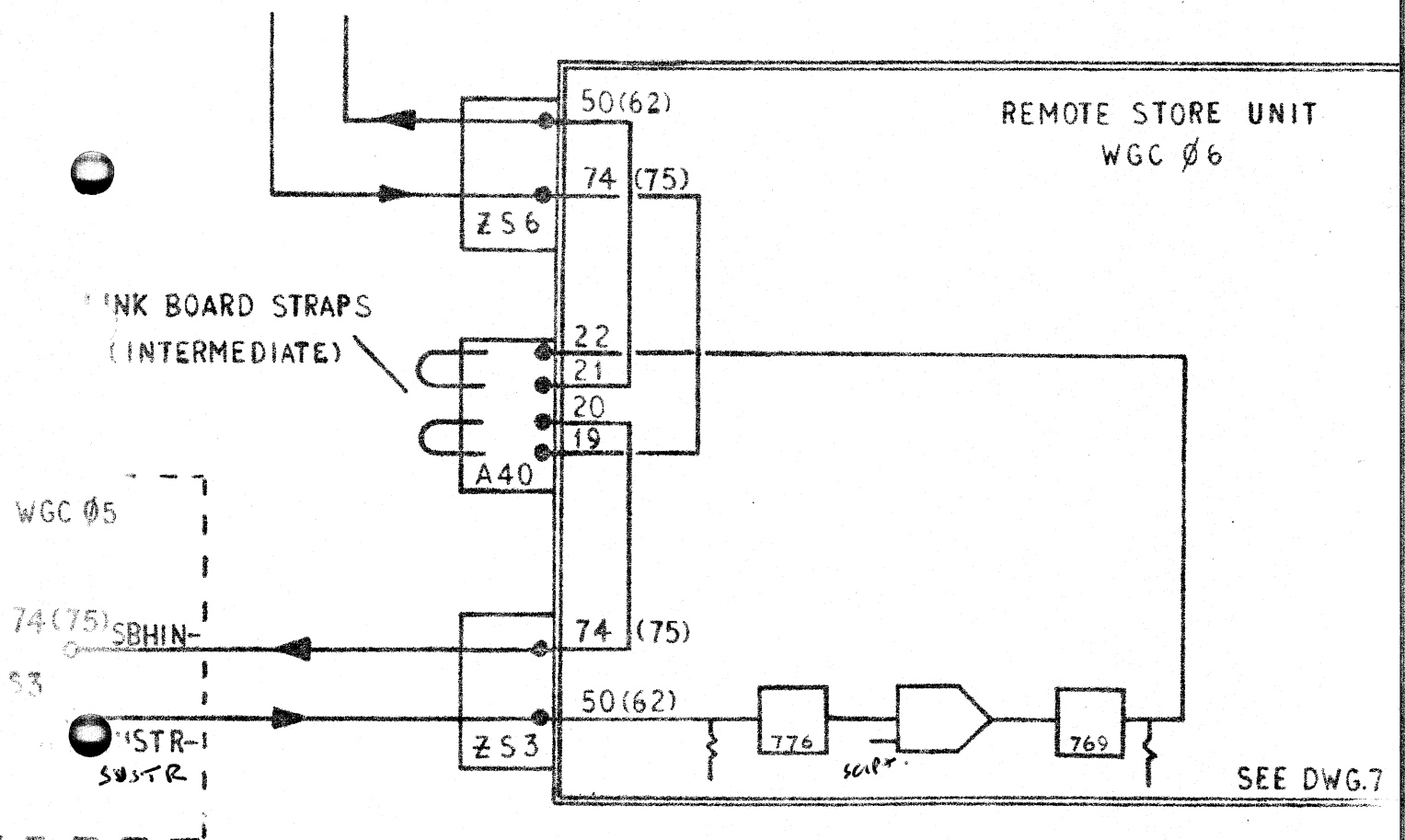
| | | | | | | | | | | | | | | | | | | | |
|---|---|---|---|---|---|---|---|---|----|----|----|----|----|----|----|----|----|----|----|
| 1 | 2 | 3 | 4 | 5 | 6 | 7 | 8 | 9 | 10 | 11 | 12 | 13 | 14 | 15 | 16 | 17 | 18 | 19 | 20 |
|---|---|---|---|---|---|---|---|---|----|----|----|----|----|----|----|----|----|----|----|

8





BUS SYSTEM TO FURTHER INTERMEDIATE RSU'S



RSU DELAY SETTINGS
(758 POSITION A/12)

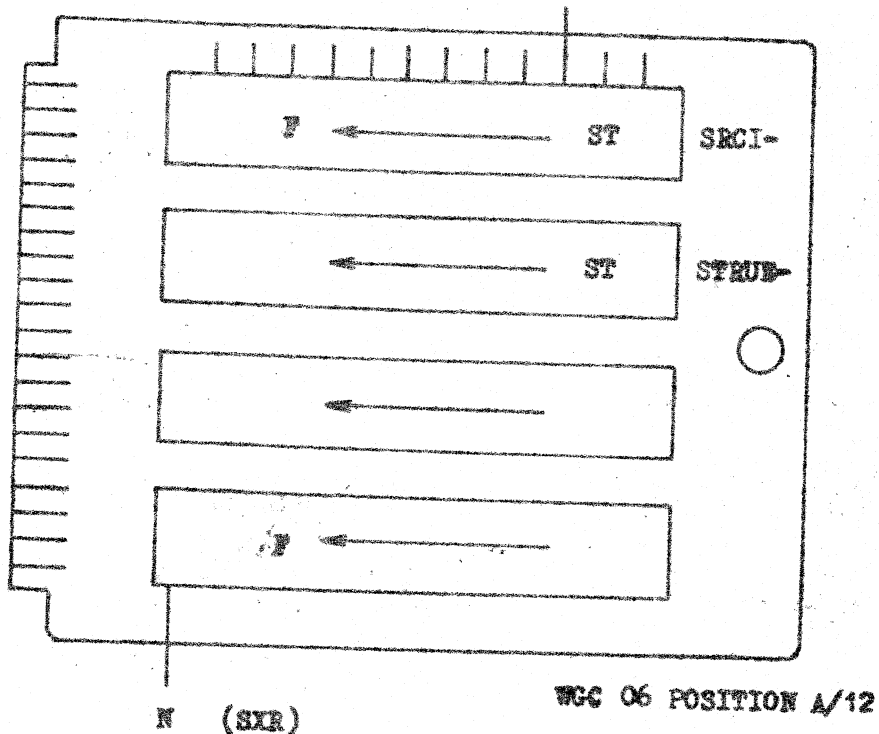
SRDI- IT CAN BE SET BY SWITCHING BETWEEN STORES AND OBSERVING THAT CYCLE INITIATE GOES +VE (34/5) AT LEAST 25NS BEFORE ENABLE GOES -VE(28/6). THE NOMINAL SETTING ASSUMES TEN+ HAS BEEN SET CORRECTLY IN WGC #1. (SEE DRAWING WGC #1/29)

SXR+ THIS DELAY IS TO DETERMINE TRUE END OF CYCLE TIME AND HENCE RESET CYCLE IN PROGRESS STAT (8/1) AT THE RSU. DO A MANUAL O74 ORDER TO REMOTE STORE, ENSURE THAT EOR AND EOW HAVE BEEN SET UP CORRECTLY. (SEE DRAWING WGC 01/29). DURING READ CYCLE, DELAY TAP 2 UNTIL SRIN1+ GOES +VE AFTER CYCLE INITIATE (34/5) AFTER A TIME EQUAL TO THE CYCLE TIME OF STORE. i.e. 650ns FOR LOCKHEED 1.8us FOR PLESSEY/FABRITEK.

NOTE 1. A TRIGGER FOR SCOPE CAN BE PASSED FROM WGC 02 TO WGC 06 BY INSERTING A STATUS SYMBOL IN MP1 WGC 02. AS A RESULT IN WGC 06 ON 20/7 (STRIG-) THE CORRESPONDING WAVEFORM IS AVAILABLE.

NOTE 2. THE SETTING OF EOR FOR REMOTE STORES IS DONE PRECISELY THE SAME AS DESCRIBED FOR BASIC STORE IN WGC 01. THE SETTING OF EOW IS DONE IN A SIMILAR MANNER TO WGC 01 BY LOOKING AT CYCLE INITIATE (A34/5) AND SOUT # (A36/6) IN THE REMOTE STORE UNIT. IT WILL BE NOTED THAT THE TABLE IN GROUP 1 INDICATES THAT AN END OF WRITE CALLED SFEWU OR SFEWL IS GENERATED BY A REMOTE LOCKHEED. THIS IS TREATED AND SET UP IN THE MANNER ALSO DESCRIBED IN WGC 01, AGAIN LOOKING IN WGC 06 FOR RELEVANT WAVEFORMS.

N (SRDI-)



N = NOMINAL

| | | | | |
|------|---------|--|--|--|
| SUB | ISS | | | |
| ACW | 1551 | | | |
| ACD | | | | |
| DATE | 7/10/68 | | | |

WGC 06/12