

VOLUME 041 MACHINE 4341- -0015871 MODEL M02 SYSTEM 0018167 MODE

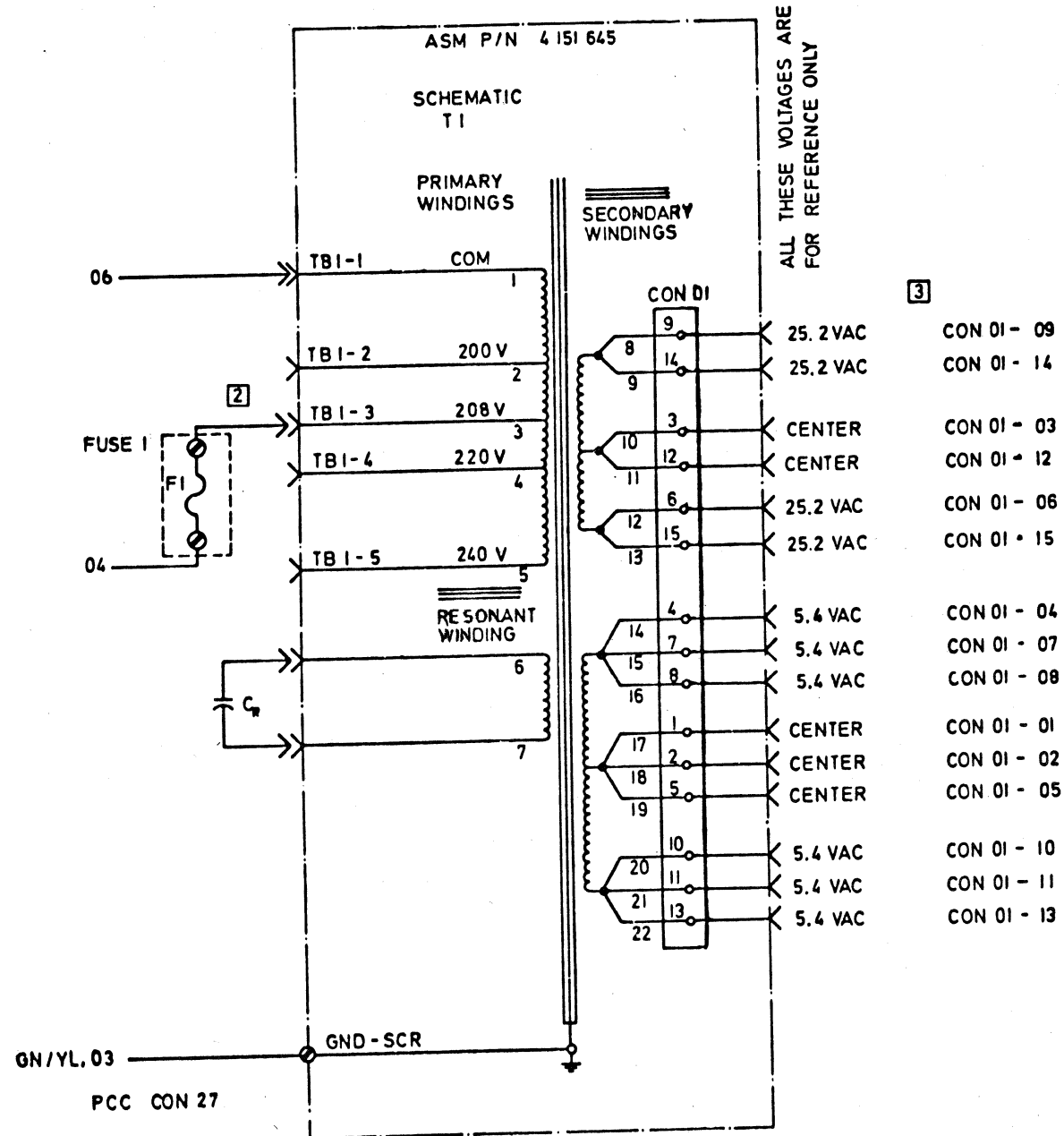
SCHED SHIP 82/09/17

LOGIC TYPE -0- SYSTEMS DIAGRAMS

DOC COUNTER 04

PAGE NUM	SH	TITLE	PART NUM	EC NUM	FEATURE B/M OR B/MS		
YE500		WIRING DIAG	0004473654	784942	.W.	0006831388	
YE520		WIRING DIAG	0004473656	784942	.W.	0006831388	
YE530		WIRING DIAG	0004473657	784942	.W.	0006831388	
YE575		WIRING DIAG	0004473681	992416	.W.	0004154542	
YE580		WIRING DIAG	0004473662	784942	.W.	0006831388	
YE590		WIRING DIAG	0004473663	784942	.W.	0002676002	.W. 0004432864
YE610		WIRING DIAG	0004473665	784942	.W.	0002676002	.W. 0004432864
YE665		WIRING DIAG	0004473682	992416	.W.	0004154542	
YE670		WIRING DIAG	0004473671	784942	.W.	0002676002	.W. 0004432864
YE745		WIRING DIAG	0004473683	992416	.W.	0004154542	

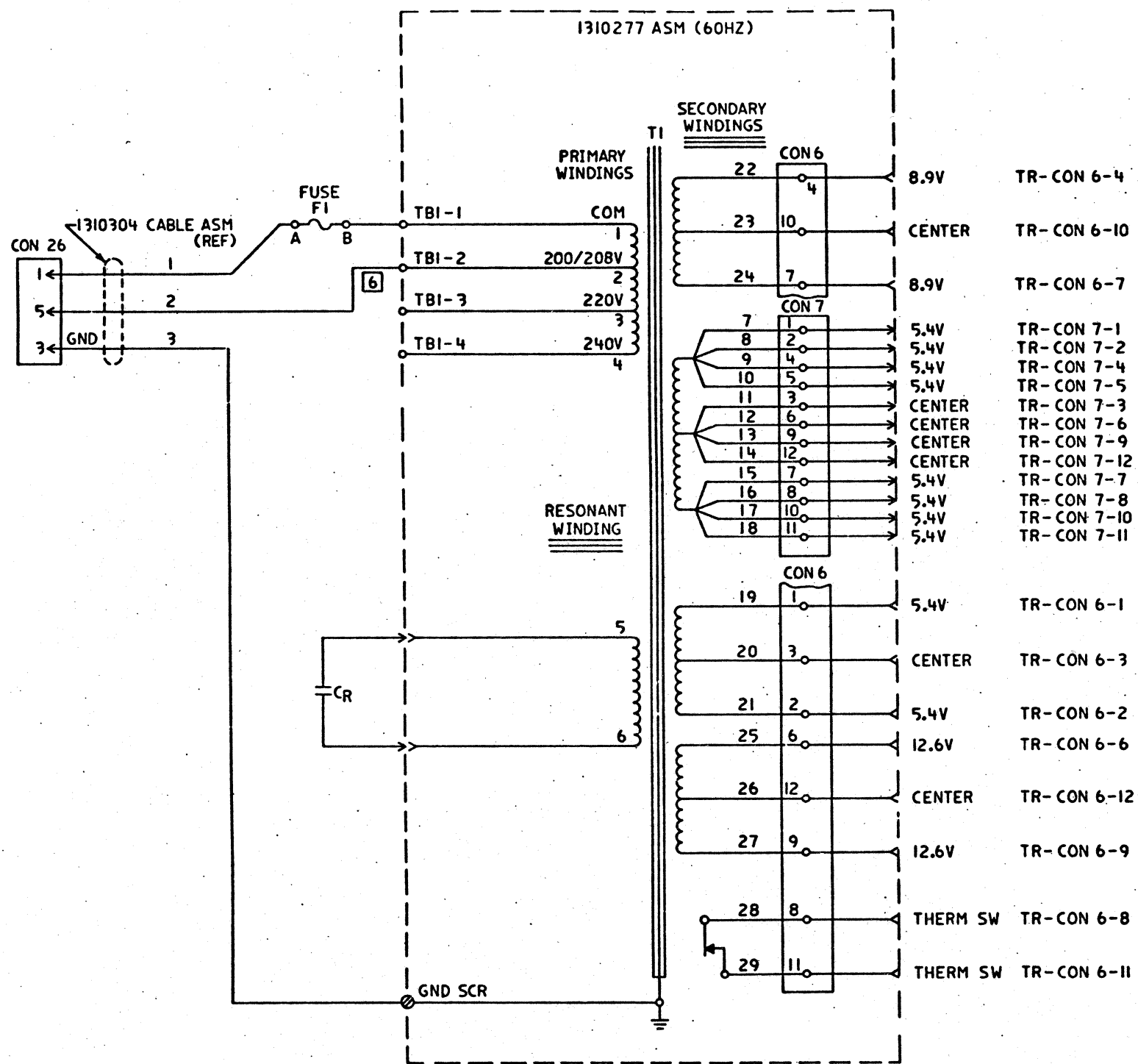
TOTAL PART NUMBERS THIS VOLUME 10



NOTES:

- 1 WIRING DIAGRAM FOR ASM P/N 8 482 691
- 2 FOR REFERENCE SEE JUMPER CHART C (REF. P/N 8 482 538 LOGIC PAGE YE-311) WIRED FOR 208 VAC LINE
- 3 FERRO MUST NOT BE OPERATED WITHOUT SECONDARY LOAD

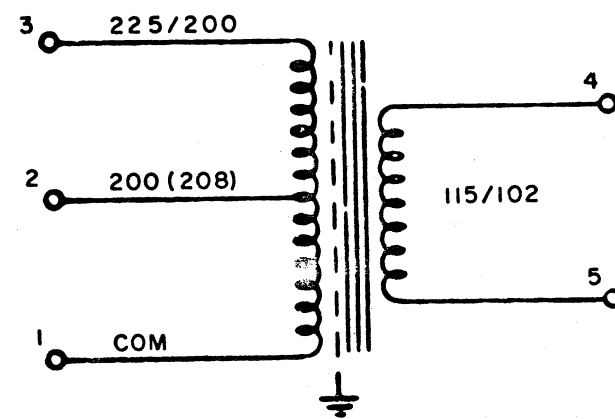
MACH. TYPE	4341
TITLE	WIRING DIAGRAM-TR101(60 Hz)
P/N	4473654
EC	784942
LOGIC PG. NO.	YE 500
	SHEET 1 OF 1



MACH. TYPE	4341
TITLE	WIRING DIAGRAM-TR104(60Hz)
P/N	4473656
EC	784942
LOGIC PG. NO.	YE 520
	SHEET 1 OF 1

TFMR SCHEMATIC

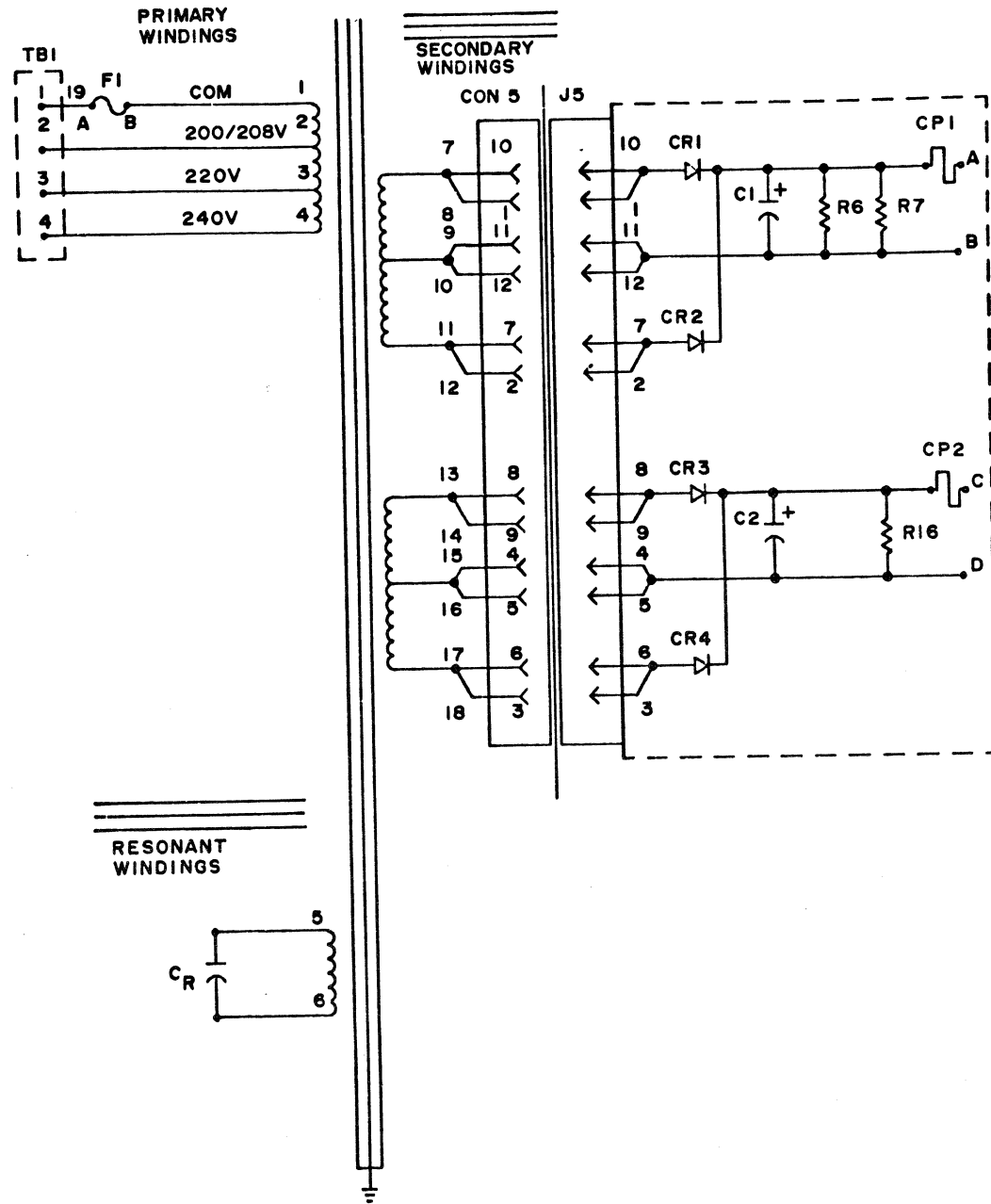
TEST CIRCUIT (REF)



© IBM CORP. 1980

MACH. TYPE	4341
TITLE	WIRING DIAGRAM-TR107
P/N	4473657
EC	784942
LOGIC PG. NO.	YE 530
	SHEET 1 OF 1

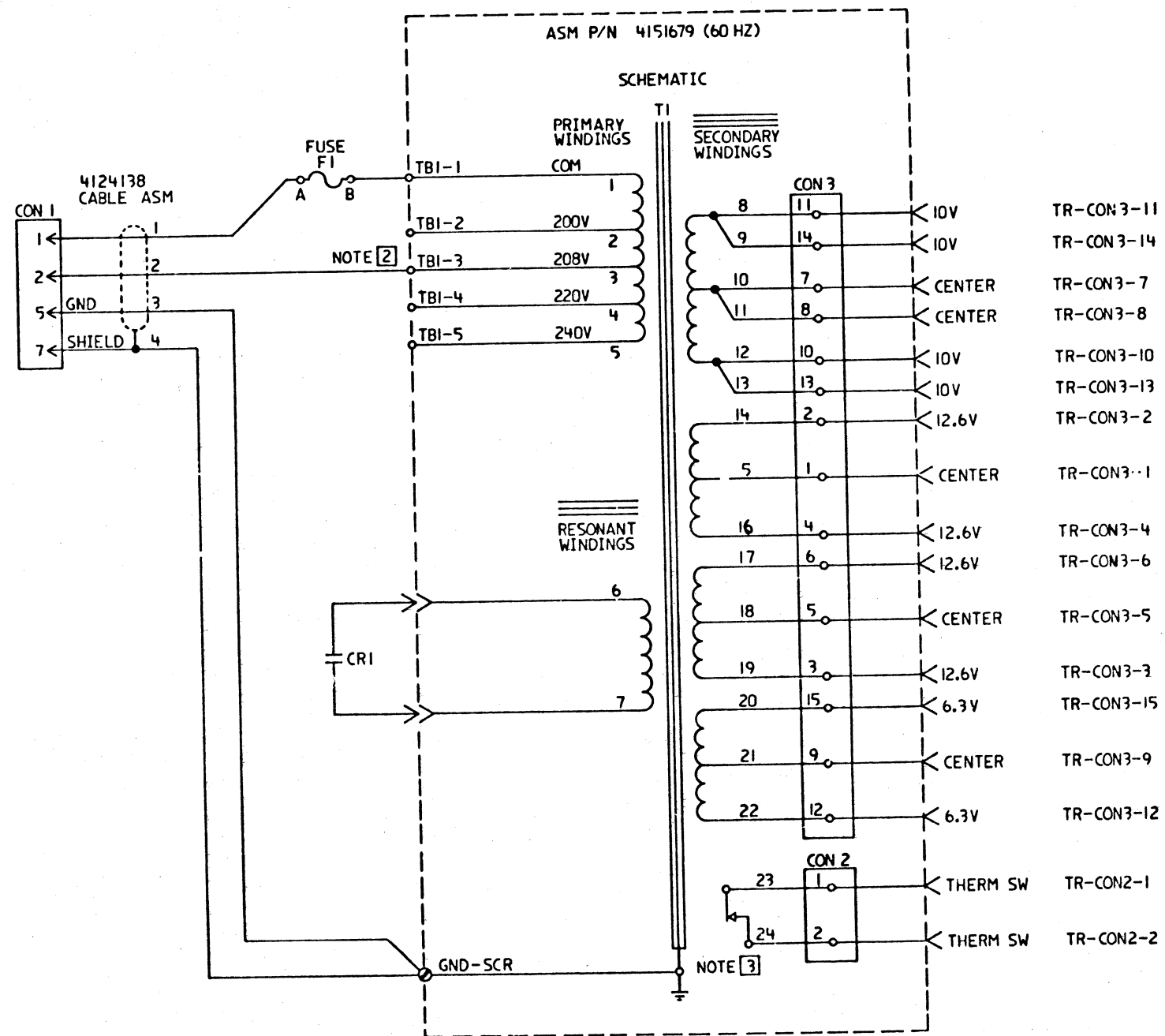
CIRCUIT DIAGRAM



C<sub>R</sub> 4μF ±6% 660V AC

© IBM CORP 1981

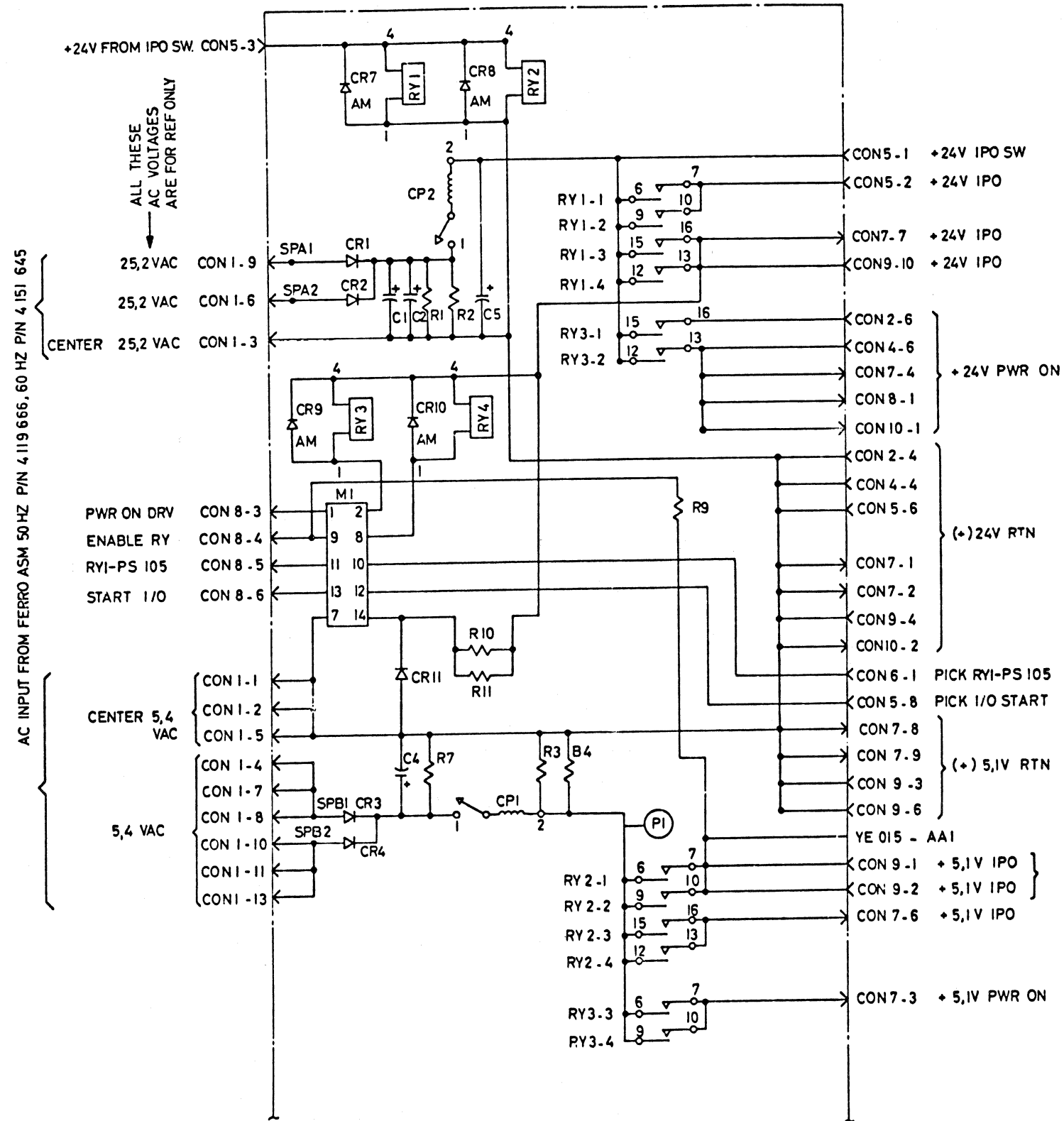
MACH. TYPE	4341
TITLE	WIRING DIAGRAM-TR 216 (60Hz)
P/N	4473681
EC	992416
LOGIC PG.NO.	YE 575
	SHEET 1 OF 1



NOTES

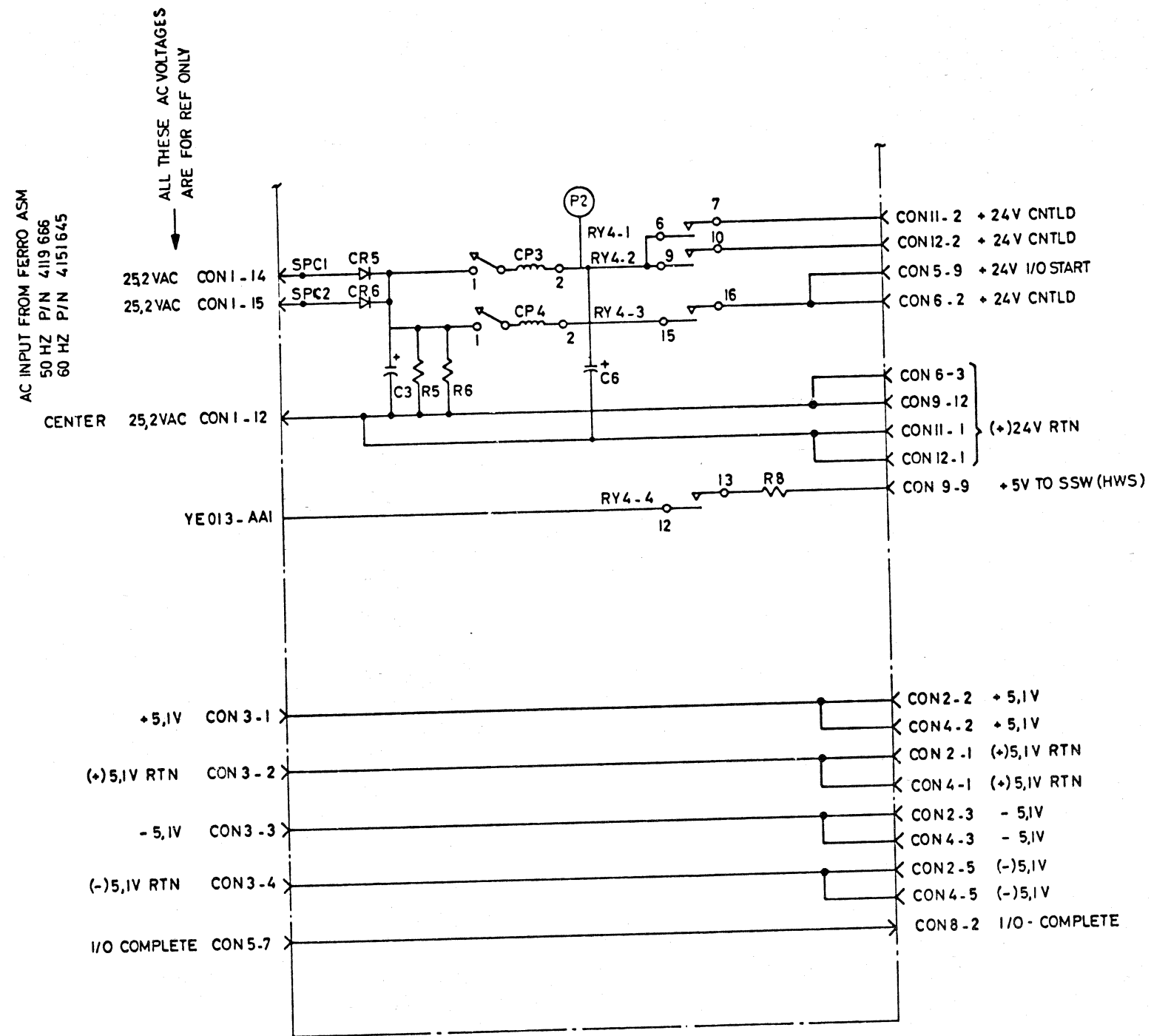
1. WIRING DIAGRAM FOR ASSEMBLY PART NUMBER 4151668
2. WIRED FOR 208VAC LINE
3. THERMAL SWITCH, NORMALLY CLOSED

MACH. TYPE	4341
TITLE	WIRING DIAGRAM-TR 30(60Hz)
P/N	4473662
EC	784942
LOGIC PG. NO.	YE580
	SHEET 1 OF 1



© IBM CORP. 1980

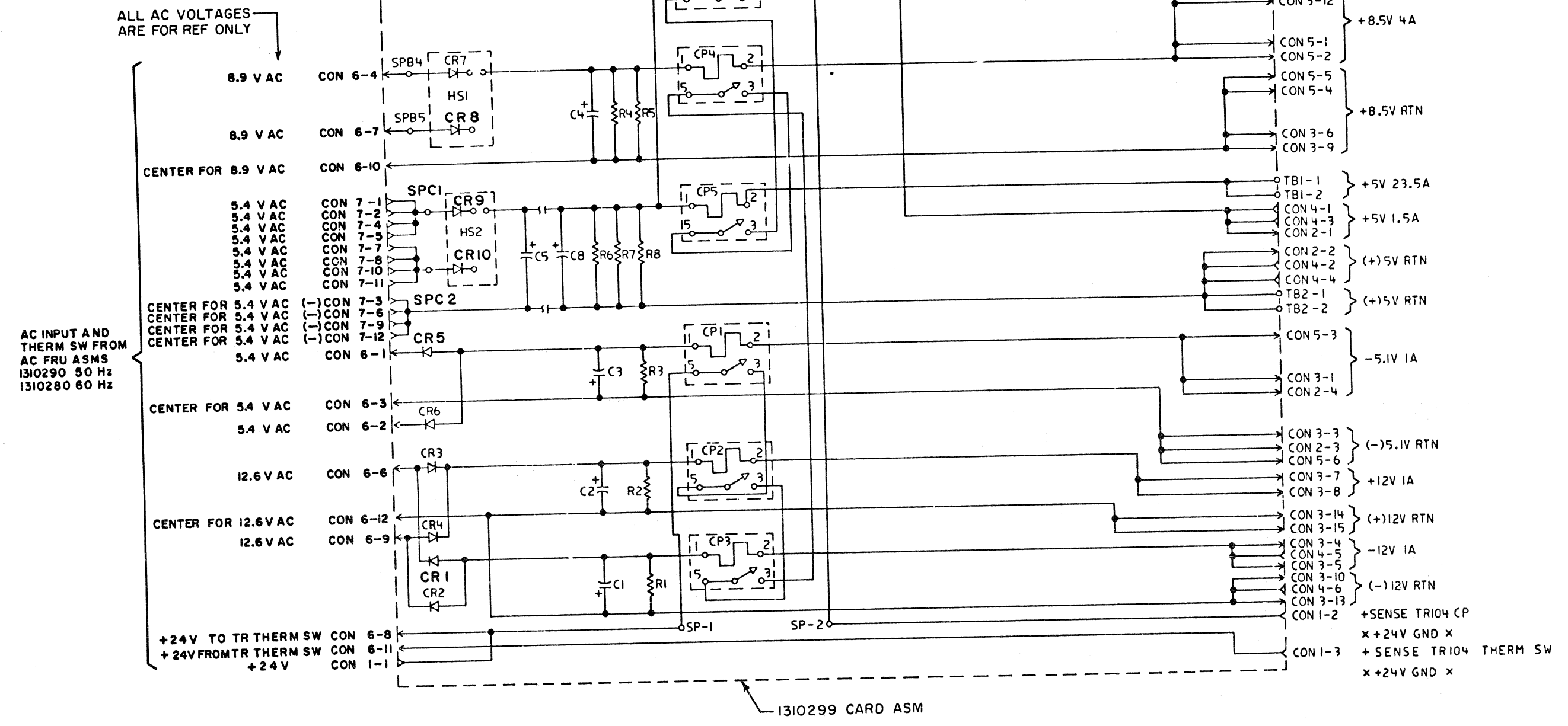
MACH. TYPE	4341
TITLE	WIRING DIAGRAM-PS101
P/N	4473663
EC	784942
LOGIC PG. NO.	YE 590 SHEET 1 OF 2



MACH. TYPE	4341
TITLE	WIRING DIAGRAM-PS101
P/N	4473663
EC	784942
LOGIC PG. NO.	YE 590
	SHEET 2 OF 2



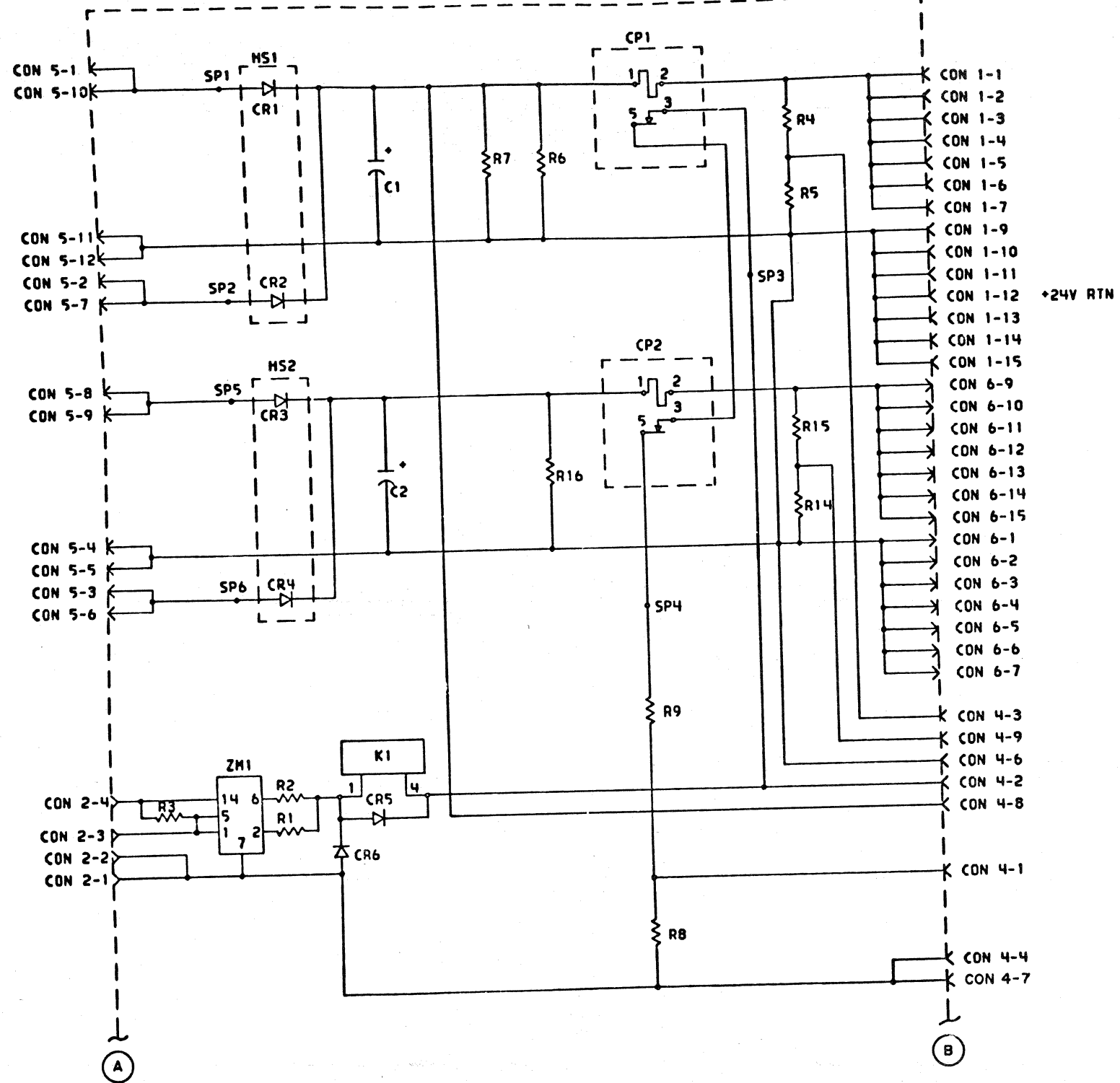
EQUIVALENT TEST CIRCUIT (REF)



© IBM CORP. 1980

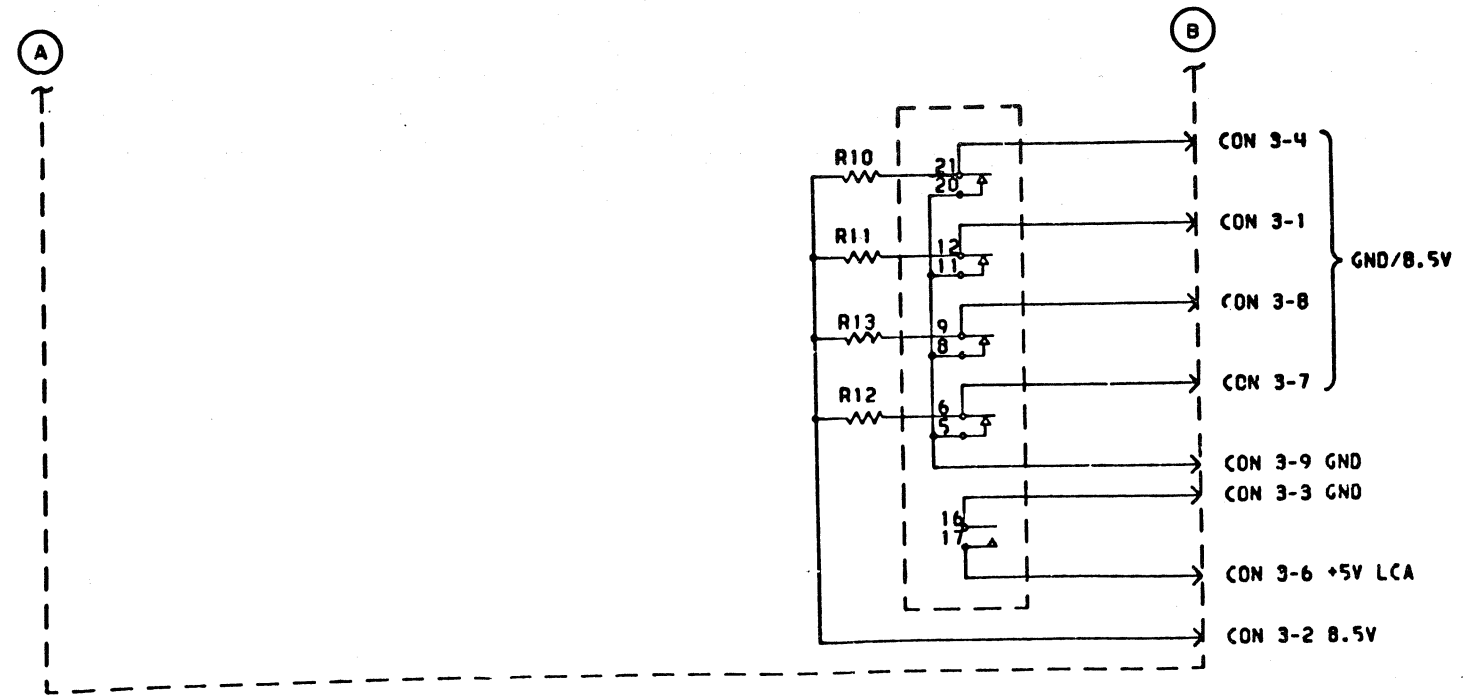
MACH. TYPE	4341
TITLE	WIRING DIAGRAM-PS 104
P/N	4473665
EC	784942
LOGIC PG. NO.	YE610
	SHEET 1 OF 1

PS216 WIRING DIAGRAM



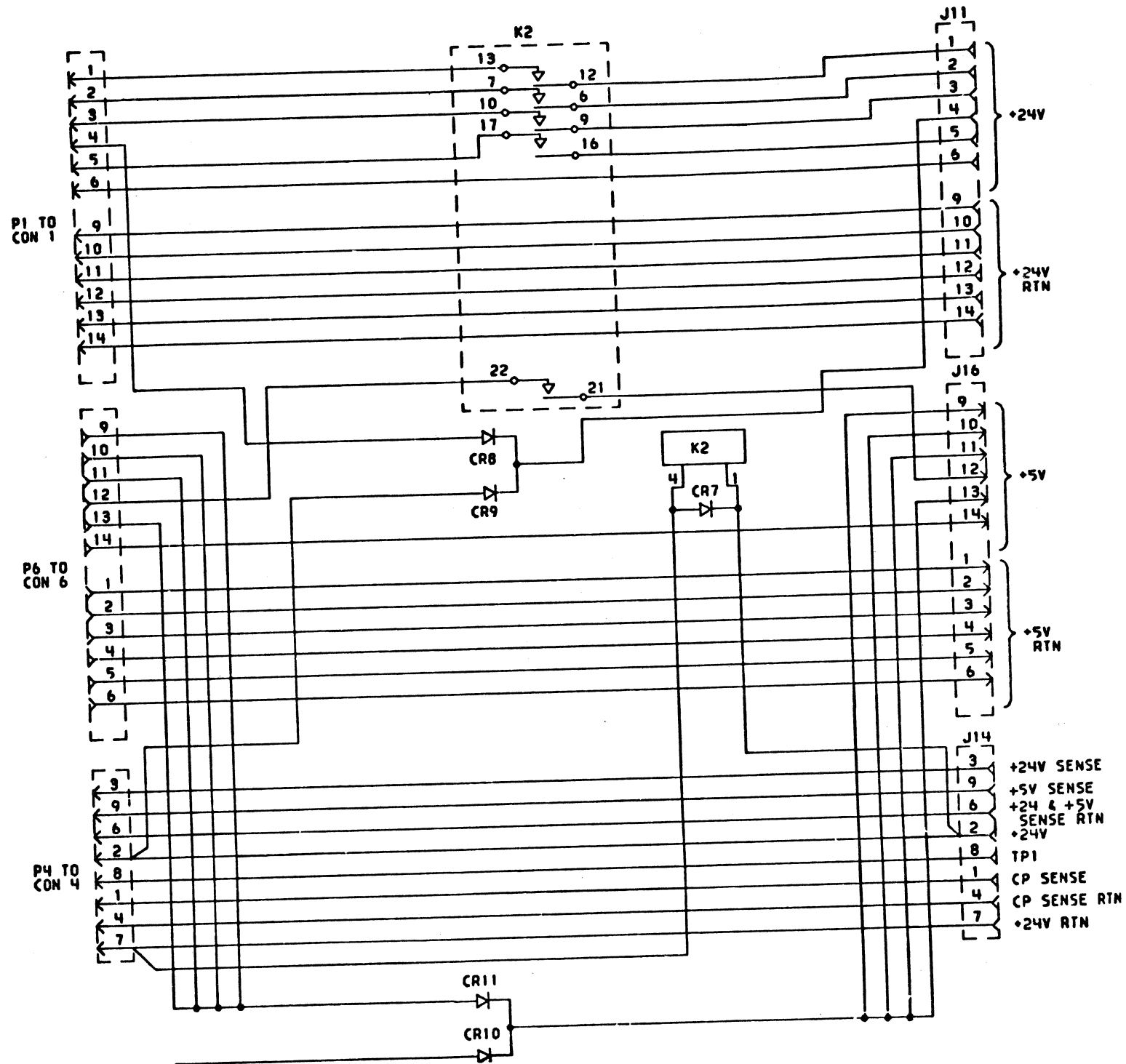
© IBM CORP. 1981

MACH. TYPE	4341
TITLE	WIRING DIAGRAM - PS 216
P/N	4473682
EC	992416
LOGIC PG. NO.	YE 665
	SHEET 1 OF 4



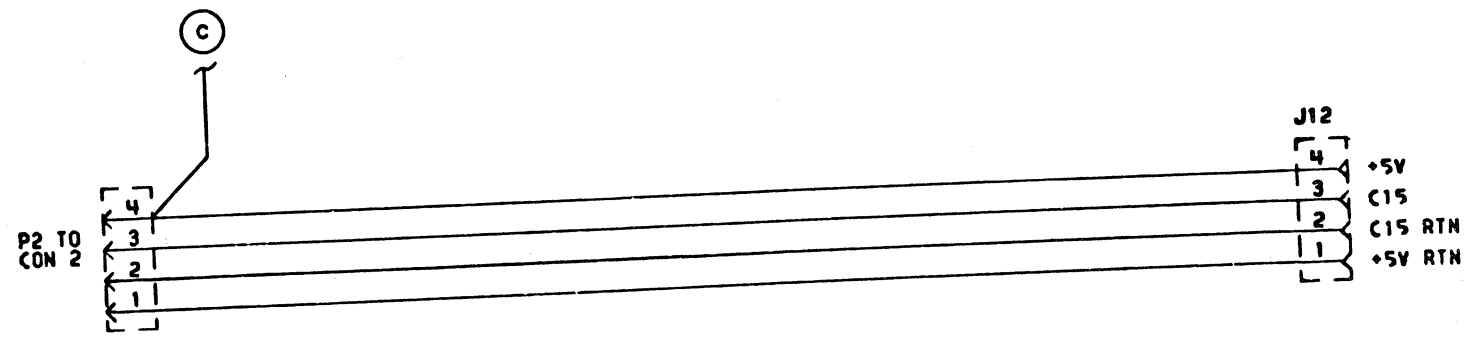
© IBM CORP. 1981

MACH. TYPE	4341
TITLE	WIRING DIAGRAM - PS 216
P/N	4473682
EC	992416
LOGIC PG. NO.	YE 665
	SHEET 2 OF 4

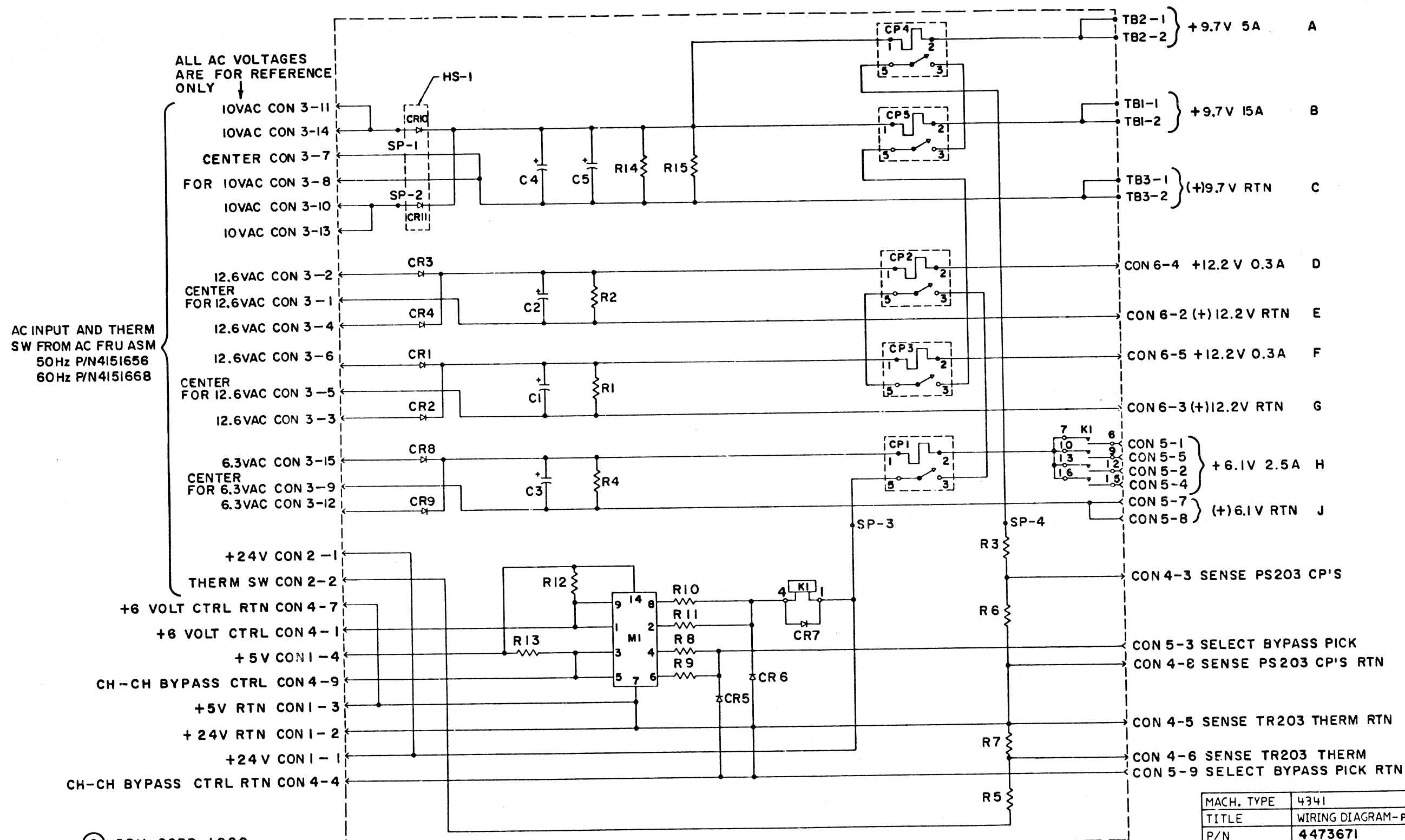


© IBM CORP. 1981

MACH. TYPE	4341
TITLE	WIRING DIAGRAM- PS 216
P/N	4473682
EC	992416
LOGIC PG. NO.	YE 665
	SHEET 3 OF 4



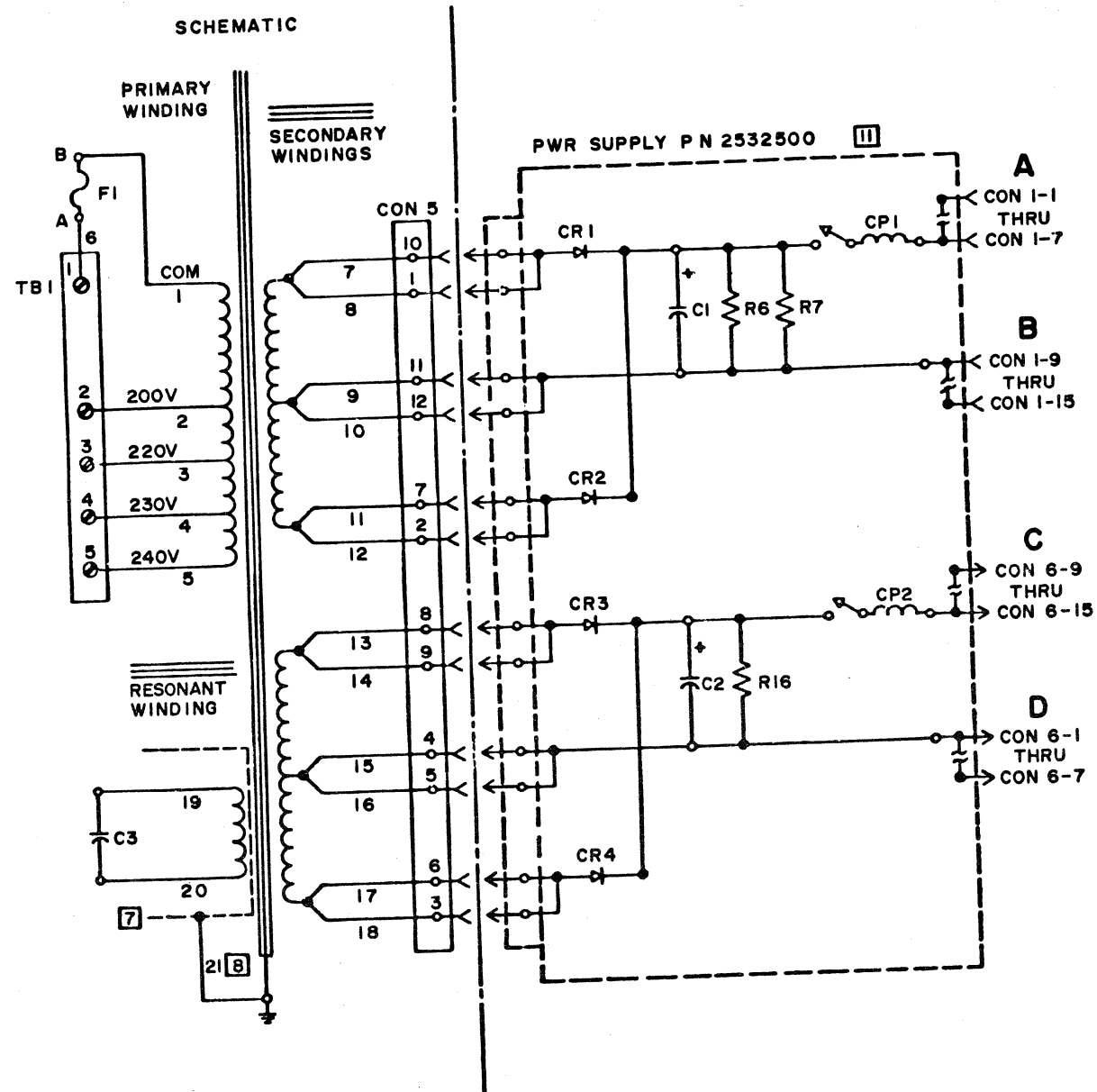
MACH. TYPE	4341
TITLE	WIRING DIAGRAM - PS 216
P/N	4473682
EC	992416
LOGIC PG. NO.	YE 665
	SHEET 4 OF 4



© IBM CORP. 1980

4123821 CARD ASM

MACH. TYPE	4341
TITLE	WIRING DIAGRAM-PS301
P/N	4473671
EC	784942
LOGIC PG. NO.	YE 670
	SHEET 1 OF 1



© IBM CORP. 1981

MACH TYPE	4341
TITLE	WIRING DIAGRAM - TR 216 (50Hz)
P/N	4473683
EC	992416
LOGIC PG NO.	YE 745
	SHEET 1 OF 1