



HEWLETT  
PACKARD

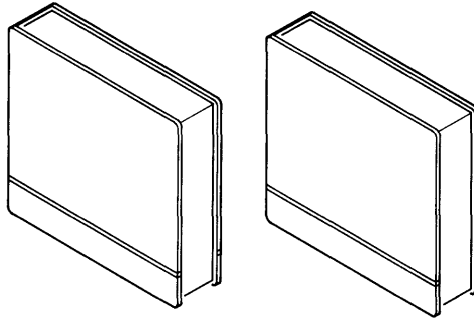
**BASIC 5.1**

**Read Me First**

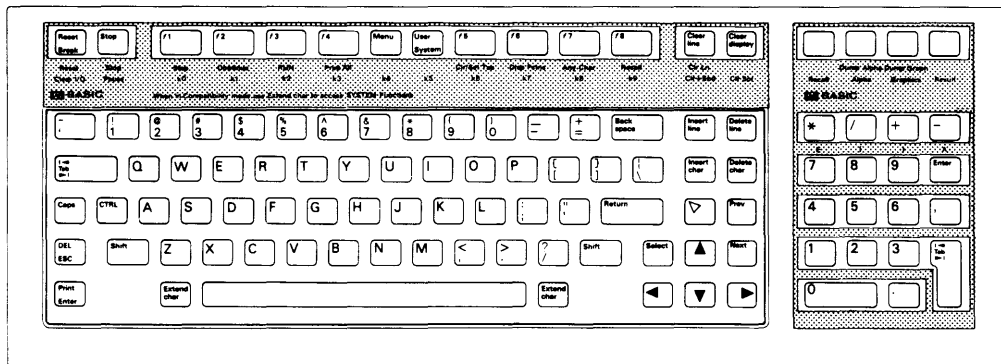
# Unpacking

The series 200/300 BASIC Language System product contains the following components:

- The BASIC discs (contained in plastic caddies<sup>1</sup>):



- Several BASIC manuals in binders
- A keyboard overlay (for systems with ITF keyboards, such as the HP 46020 and HP 46021 keyboards):



- The “Contents List” packed in the shipping carton lists all components. You may want to take inventory of these items now. If any items are damaged or missing, please contact your HP Sales Representative.

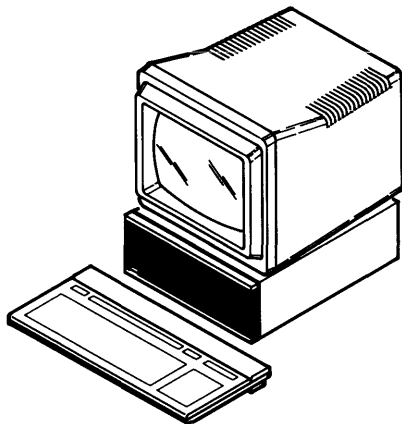
<sup>1</sup> Single-sided 3 1/2 inch discs come in 2 disc caddies; all others come in 1 disc caddy.

---

# Setting Up Your Computer

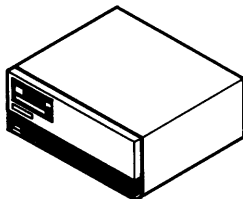
Before attempting to load, install, and begin using BASIC, you should configure your hardware.

Display  
Computer  
Keyboard



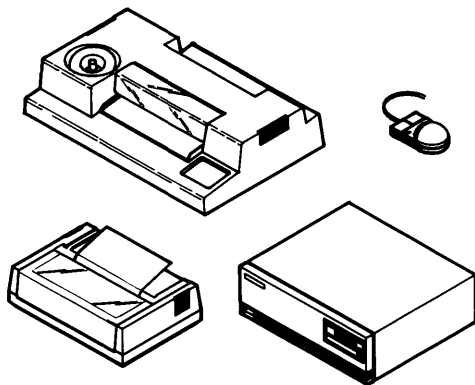
If these items are not set up and operational, refer to your computer's *Installation Card* or *Installation Reference*.

Flexible-disc  
drive



If at least one flexible-disc drive is not set up and operational, then refer to the *Peripheral Installation Guide*.

Optional  
peripherals



If you want to connect additional peripherals to your computer, then refer to the *Peripheral Installation Guide*.

---

## Where to Start

After setting up your hardware, you must next install your system (even if you only have flexible disc drives, there are some important steps to follow). Go to the manual, *Installing and Maintaining the BASIC 5.0/5.1 System*.

After you install your system, you can learn about maintaining your system in the "Maintaining BASIC" section of *Installing and Maintaining the BASIC 5.0/5.1 System*, or how to use BASIC in *Using the BASIC 5.0/5.1 System*.

See *Using the BASIC 5.0/5.1 SYSTEM* manual, "Disc Contents" chapter for a list and short description of the files on your discs.

---

Hewlett-Packard Company • 3404 East Harmony Road • Fort Collins, Colorado 80525

**HP Part Number**  
**98616-90680**

Microfiche No. 98616-99680  
Printed in U.S.A. 1/88



98616-90680