

**64000**

**HP64000  
Logic Development  
System**

**Model 64161A/162A/163A  
Emulation Memory**



## **CERTIFICATION**

*Hewlett-Packard Company certifies that this product met its published specifications at the time of shipment from the factory. Hewlett-Packard further certifies that its calibration measurements are traceable to the United States National Bureau of Standards, to the extent allowed by the Bureau's calibration facility, and to the calibration facilities of other International Standards Organization members.*

## **WARRANTY**

This Hewlett-Packard system product is warranted against defects in materials and workmanship for a period of 90 days from date of installation. During the warranty period, HP will, at its options, either repair or replace products which prove to be defective.

Warranty service of this product will be performed at Buyer's facility at no charge within HP service travel areas. Outside HP service travel areas, warranty service will be performed at Buyer's facility only upon HP's prior agreement and Buyer shall pay HP's round trip travel expenses. In all other cases, products must be returned to a service facility designated by HP.

For products returned to HP for warranty service. Buyer shall prepay shipping charges to HP and HP shall pay shipping charges to return the product to Buyer. However, Buyer shall pay all shipping charges, duties, and taxes for products returned to HP from another country.

HP warrants that its software and firmware designated by HP for use with an instrument will execute its programming instructions when properly installed on that instrument. HP does not warrant that the operation of the instrument, or software, or firmware will be uninterrupted or error free.

## **LIMITATION OF WARRANTY**

The foregoing warranty shall not apply to defects resulting from improper or inadequate maintenance by Buyer, Buyer-supplied software or interfacing, unauthorized modification or misuse, operation outside of the environmental specifications for the product, or improper site preparation or maintenance.

NO OTHER WARRANTY IS EXPRESSED OR IMPLIED. HP SPECIFICALLY DISCLAIMS THE IMPLIED WARRANTIES OF MERCHANTABILITY AND FITNESS FOR A PARTICULAR PURPOSE.

## **EXCLUSIVE REMEDIES**

THE REMEDIES PROVIDED HEREIN ARE BUYER'S SOLE AND EXCLUSIVE REMEDIES. HP SHALL NOT BE LIABLE FOR ANY DIRECT, INDIRECT, SPECIAL, INCIDENTAL, OR CONSEQUENTIAL DAMAGES, WHETHER BASED ON CONTRACT, TORT, OR ANY OTHER LEGAL THEORY.

## **ASSISTANCE**

*Product maintenance agreements and other customer assistance agreements are available for Hewlett-Packard products.*

*For any assistance, contact your nearest Hewlett-Packard Sales and Service Office. Addresses are provided at the back of this manual.*

SERVICE MANUAL

MODEL 64161A/162A/163A

EMULATION MEMORY

REPAIR NUMBERS

This manual applies to Model 64161A  
all repair number prefixes. For  
more information on repair numbers  
refer to "Instruments Covered by  
This Manual" in Section I.

© COPYRIGHT HEWLETT-PACKARD COMPANY 1982  
LOGIC SYSTEMS DIVISION  
COLORADO SPRINGS, COLORADO, U.S.A.

ALL RIGHTS RESERVED

Manual Part No. 64161-90901  
Microfiche Part No. 64161-90801

PRINTED: JANUARY 1984

## **SAFETY SUMMARY**

***The following general safety precautions must be observed during all phases of operation, service, and repair of this instrument. Failure to comply with these precautions or with specific warnings elsewhere in this manual violates safety standards of design, manufacture, and intended use of the instrument. Hewlett-Packard Company assumes no liability for the customer's failure to comply with these requirements.***

### **GROUND THE INSTRUMENT.**

To minimize shock hazard, the instrument chassis and cabinet must be connected to an electrical ground. The instrument is equipped with a three-conductor ac power cable. The power cable must either be plugged into an approved three-contact electrical outlet or used with a three-contact to two-contact adapter with the grounding wire (green) firmly connected to an electrical ground (safety ground) at the power outlet. The power jack and mating plug of the power cable meet International Electrotechnical Commission (IEC) safety standards.

### **DO NOT OPERATE IN AN EXPLOSIVE ATMOSPHERE.**

Do not operate the instrument in the presence of flammable gases or fumes. Operation of any electrical instrument in such an environment constitutes a definite safety hazard.

### **KEEP AWAY FROM LIVE CIRCUITS.**

Operating personnel must not remove instrument covers. Component replacement and internal adjustments must be made by qualified maintenance personnel. Do not replace components with power cable connected. Under certain conditions, dangerous voltages may exist even with the power cable removed. To avoid injuries, always disconnect power and discharge circuits before touching them.

### **DO NOT SERVICE OR ADJUST ALONE.**

Do not attempt internal service or adjustment unless another person, capable of rendering first aid and resuscitation, is present.

### **DO NOT SUBSTITUTE PARTS OR MODIFY INSTRUMENT.**

Because of the danger of introducing additional hazards, do not install substitute parts or perform any unauthorized modification of the instrument. Return the instrument to a Hewlett-Packard Sales and Service Office for service and repair to ensure that safety features are maintained.

### **DANGEROUS PROCEDURE WARNINGS.**

Warnings, such as the example below, precede potentially dangerous procedures throughout this manual. Instructions contained in the warnings must be followed.

**WARNING**

**Dangerous voltages, capable of causing death, are present in this instrument.  
Use extreme caution when handling, testing, and adjusting.**

## TABLE OF CONTENTS

Section		Page
I	GENERAL INFORMATION.....	1-1
	1-1. Introduction.....	1-1
	1-4. Instruments covered by this Manual.....	1-1
	1-9. Description.....	1-2
	1-14. Equipment Required but not Supplied.....	1-3
	1-16. Recommended Test Equipment.....	1-3
	1-18. Specifications.....	1-2
	1-20. Related Manuals.....	1-4
II	INSTALLATION.....	2-1
	2-1. Introduction.....	2-1
	2-3. Initial Inspection.....	2-1
	2-5. Installation.....	2-1
	2-7. Memory Space Configuration Guide.....	2-5
	2-8. Memory Space Configurations with 64151A Standard Memory Controller.....	2-5
	2-9. Memory Space Configurations with the 64155 Wide Memory Controller.....	2-6
	2-10. Operating Environment.....	2-8
	2-16. Storage and Shipment.....	2-9
III	OPERATION.....	3-1
IV	PERFORMANCE VERIFICATION AND TROUBLESHOOTING.....	4-1
	4-1. Introduction.....	4-1
	4-5. Performance Verification.....	4-1
	4-8. How to Run Performance Verification.....	4-3
	4-13. How to Interpret Performance Verification.....	4-7
V	ADJUSTMENTS.....	5-1
VI	REPLACEABLE PARTS.....	6-1
	6-1. Introduction.....	6-1
	6-3. Abbreviations.....	6-1
	6-5. Replaceable Parts List.....	6-1
	6-7. Ordering Information.....	6-2
	6-12. Direct Mail Order System.....	6-2

TABLE OF CONTENTS (continued)

Section		Page
VII	MANUAL CHANGES.....	7-1
VIII	THEORY AND SCHEMATICS.....	8-1
	8-1. Introduction.....	8-1
	8-3. Logic Conventions.....	8-1
	8-4. Logic Levels.....	8-1
	8-5. Power Supplies.....	8-1
	8-7. Theory.....	8-1
	8-8. Overview.....	8-1
	8-15. Block Theory.....	8-2
	8-24. Mnemonics.....	8-5

LIST OF ILLUSTRATIONS

Figure	Title	Page
1-1.	Model 64161A/162A/163A Emulation Memory.....	1-0
1-2.	Emulation Subsystem.....	1-2
2-1.	Emulation Memory Installation.....	2-3
2-2.	Emulation Memory Installation with Analysis.....	2-3
2-3.	Address Range Jumper Installation.....	2-4
4-1	Processor Control Test Display.....	4-6
4-2.	Memory Test Display.....	4-9
4-3.	Performance Verification Overview Display.....	4-13
4-4.	System-Board Access Test Display.....	4-13
4-5.	Memory Mapper Test Display.....	4-14
4-6.	Memory Control Test Display.....	4-14
4-7.	Emulation Access Test Display.....	4-15
6-1.	Replaceable Parts Locator.....	6-6
8-1.	Emulation Subsystem.....	8-0
8-2.	Emulation Memory Block Diagram.....	8-3
8-3.	Model 64161A/162A/163A Component Locator.....	8-12
8-4.	Service Sheet 1.....	8-13
8-5.	Service Sheet 2.....	8-14

LIST OF TABLES

Table	Title	Page
2-1	Memory Installation Configuration #1.....	2-5
2-2	Memory Installation Configuration #2.....	2-6
2-3.	Memory Installation Configuration #3.....	2-7
2-4.	Memory Installation Configuration #4.....	2-8
4-1.	Option Test Softkey Definitions.....	4-2
4-2.	Data Failure Status Decoding.....	4-8
4-3.	Memory Test. Sample Error Code vs. RAM and Data Buffer Failure.....	4-8
6-1.	Reference Designators and Abbreviations.....	6-3
6-2.	Replaceable Parts List.....	6-4
6-3.	List of Manufacturers' Codes.....	6-5

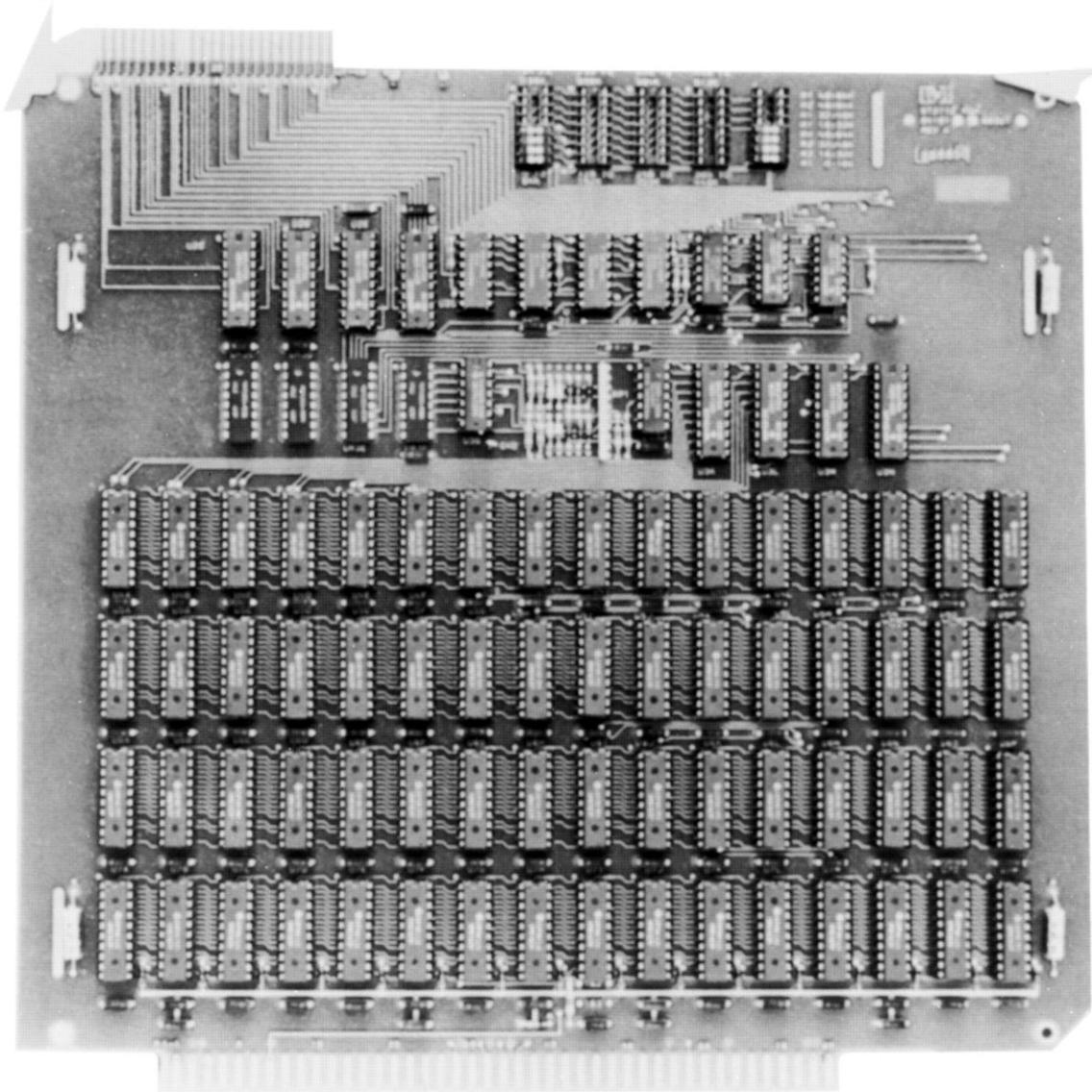


Figure 1-1. Model 64161A/162A/163A Emulation Memory

## SECTION I

## GENERAL INFORMATION

## 1-1. INTRODUCTION.

1-2. This Service Manual contains information required to install, test and service the Hewlett-Packard Model 64161A/162A/163A Emulator Memory.

1-3. Shown on the title page is a microfiche part number. This number can be used to order a 4 X 6-inch microfilm transparency of the manual. Each microfiche contains up to 96 photoduplicates of the manual pages.

## 1-4. INSTRUMENTS COVERED BY THIS MANUAL.

1-5. Attached to the instrument or printed on the printed circuit board is the repair number. The repair number is in the form: 0000A0000. It is in two parts; the first four digits and the letter are the repair prefix, and the last five are the suffix. The prefix is the same for all identical instruments. The suffix, however, is assigned sequentially and is different for each instrument. The contents of this manual apply to instruments with the repair number prefix(es) listed under REPAIR NUMBERS on the title page.

1-6. An instrument manufactured after the printing of this manual may have a repair number prefix that is not listed on the title page. This unlisted repair number prefix indicates that the instrument is different from those described in this manual. The manual for this newer instrument is accompanied by a Manual Changes Supplement. The supplement contains "change information" that explains how to adapt the manual for the newer instrument.

1-7. In addition to change information, the supplement contains information for correcting errors in the manual. To keep this manual as current as possible, Hewlett-Packard recommends that you periodically request the latest Manual Changes Supplement. The supplement for this manual is identified with the manual print date and part number, both of which appear on the manual title page. Complimentary copies of the supplement are available from Hewlett-Packard.

1-8. For information concerning a repair number prefix that is not listed on the title page or in the Manual Changes Supplement, call your nearest Hewlett-Packard office.

1-9. DESCRIPTION.

1-10. The 64000 microprocessor emulation systems, illustrated in Figure 1-2, allow software designers to develop and debug software modules for specific microprocessors. The emulation plug replaces the microprocessor physically in the target system permitting hardware in the emulation system to simulate the functions of the target microprocessor while driving target system hardware with the software being developed.

1-11. The emulation memory can be used to duplicate the target system memory. Address space can be allocated to target system RAM, target system ROM, emulation RAM, and emulation ROM, and illegal address space.

1-12. Models 64161A, 64162A, and 64163A Emulation Memory provide the possibility of up to 128K bytes of memory on one card. The three models differ from each other in the number of memory chips loaded on each board. The Model 64163A, 32k byte memory, has one 16-chip row of 16K x 1 static RAM chips loaded; Model 64162A, 64k byte memory, has two rows of chips loaded and the Model 64161A, 128k byte memory has four rows of chips.

1-13. The 64161A, 64162A and 64163A feature fast access time, low-power standby and operation modes, and the ability to access bytes as well as 16-bit words.

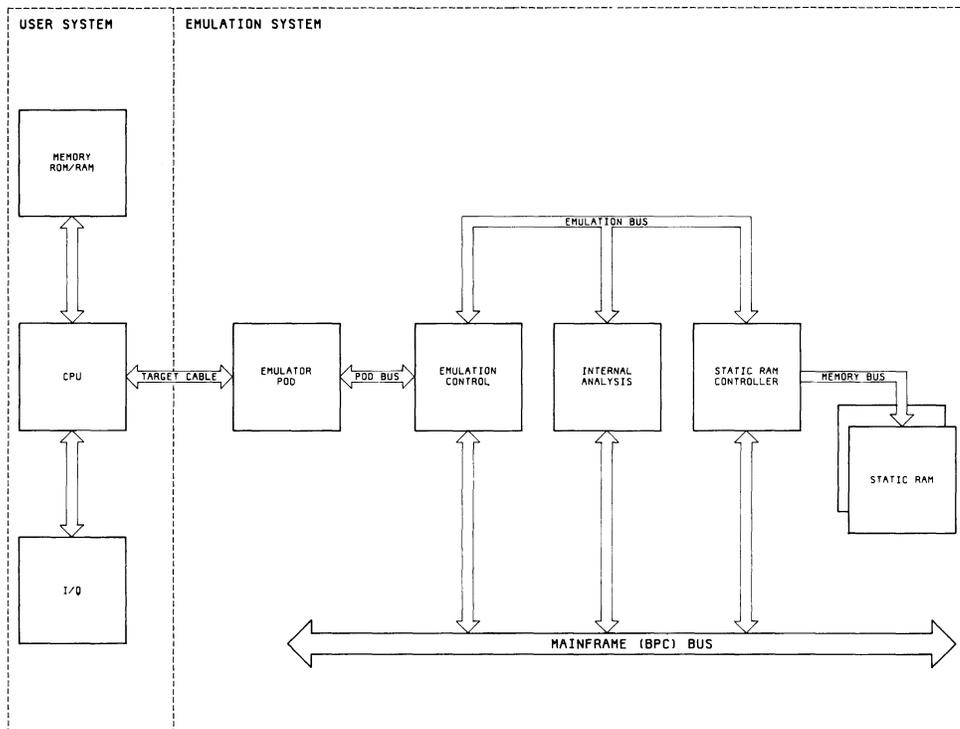


Figure 1-2. Emulation Subsystem

1-14. EQUIPMENT REQUIRED BUT NOT SUPPLIED.

1-15. A 64151 or 64155-66502 Memory Control Board is required to drive the 64161A, 64162A, or 64163A Emulator Memories.

1-16. TEST EQUIPMENT.

1-17. Table 1-1 lists the test equipment needed to repair and maintain Models 64161A/162A/163A.

Table 1-1

INSTRUMENT	RECOMMENDED MODEL	USE
Dual-trace Oscilloscope	HP1740A	Troubleshooting
Digital Voltmeter	HP3465A	Troubleshooting
64000 Extender Card	64100-66510	Troubleshooting
64000 Extender Cables (2)	8120-3350	Troubleshooting
Signature Analyzer	HP5004A, HP5005A	Troubleshooting
Memory Controller	HP64151A, HP64155	Troubleshooting

1-18. SPECIFICATIONS.

1-19. Specifications for the Model 64161A/162A/163A are listed in Table 1-2.

Table 1-2. Specifications.

	64161A	64162A	64163A
Power (Max Typ) mW			
0 rows selected	5283.7	5285.7	5285.7
1 row selected	8161.8	8163.7	8167.5
Current (Max Typ) mA			
0 rows selected	1056.7	1057.1	1057.9
1 row selected	1632.3	1632.7	1633.5

1-20. RELATED MANUALS.

1-21. Service Manuals.

64151A Memory Control Service Manual  
64155 Memory Control Service Manual  
64152A 32K Memory Service Manual

## SECTION II

## INSTALLATION

## 2-1. INTRODUCTION.

2-2. This section contains information for installing and removing the Model 64161A/162A/163A. Included are initial inspection procedures and instructions for repacking the instrument for shipment.

## 2-3. INITIAL INSPECTION.

2-4. Inspect the shipping container for damage. If the shipping container or cushioning material is damaged, it should be kept until contents of the shipment have been checked for completeness and the instrument has been checked mechanically and electrically. Procedures for checking electrical performance are given in Section IV. If the contents are incomplete, if there is mechanical damage or defect, or if the instrument does not pass the Performance Tests, notify the nearest Hewlett-Packard office. Keep the shipping materials for carrier's inspection. The HP office will arrange for repair or replacement at HP's option without waiting for claim settlement.

## 2-5. INSTALLATION.

## NOTE

If the following installation procedures are not followed, imaging problems may result.

2-6. The Models 64161A/162A/163A Emulation Memory Boards are installed using the following procedure. Figures 2-1 and 2-2 shows the recommended location of the emulation option boards in the HP64000 mainframes for two typical configurations: Emulation Memory only and Emulation Memory with Analysis. Note that with emulators which use the 64271A or 64274A Control Card, an analyzer is required; therefore, ignore the configurations shown without an analyzer when installing these emulator control cards.

- a. Turn off power to the 64000 station.
- b. Loosen the two hold-down screws and remove the card cage access cover (64100A). (Refer to 64110A Mainframe Service Manual for information on removing the card cage access cover of the 64110A.)
- c. Install the emulation subsystem (control card and pod). Refer to the appropriate service manuals for the emulator concerned.

- d. If an analyzer module (64300A or 64302A) is to be used, install it at this time. Refer to the 64300A/64302A Service Manuals for installation instructions.
- e. Install the Memory Controller Module (64151A or 64155). Refer to the Service Manual for the Memory Controller in use for installation instructions. Do not install the Emulation Memory Boards or ribbon cables. This will be done later.
- f. The address range jumpers on the Emulation Memory Boards must now be configured to select the base address range of each Memory Board (64161A/162A/163A) used in the mainframe. The address range selection is dependent on the number of Memory Boards installed in the development station. Refer to Table 2-1 through 2-4 and Figure 2-3 for information on where jumpers should be installed.
- g. Once the address range jumper on each board is in the proper position, the Memory Boards must be installed in the development station. (Please refer to the Memory Space Configuration in the paragraphs beginning at 2-7 before installing your memory system.) Hold the board by the extractor levers, with the component side of the board facing the front of the development station, and the large motherboard connector (labeled "P1") pointing towards the bottom of the station. Insert the board in the guide rails of the desired slot and push down until the P1 connector seats firmly in the motherboard connector at the bottom of the station.
- h. Connect the Emulation Memory Bus ribbon cable across the left-hand set of edge connectors (as you face the front of the development station). The bus cables are keyed so that they will fit on the edge connectors in only one position.
- i. Connect the Emulation Bus cables across the two right-hand sets of edge connectors (as you face the front of the development station). The bus cables are keyed so that they will fit on the edge connectors in only one position.
- j. Reinstall the card cage access cover and tighten the 2 screws (64100A). (Refer to the 64110A Mainframe Service Manual for information on replacing the card cage access cover of the 64110A.)

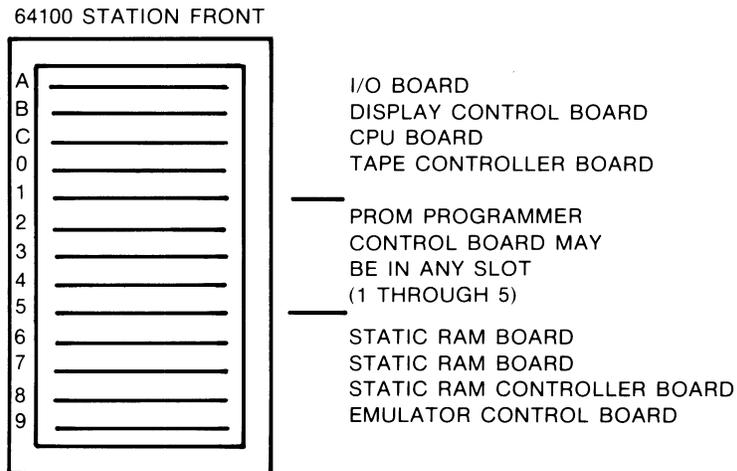


Figure 2-1. Emulation Memory Installation  
(with 6416X series memory only)

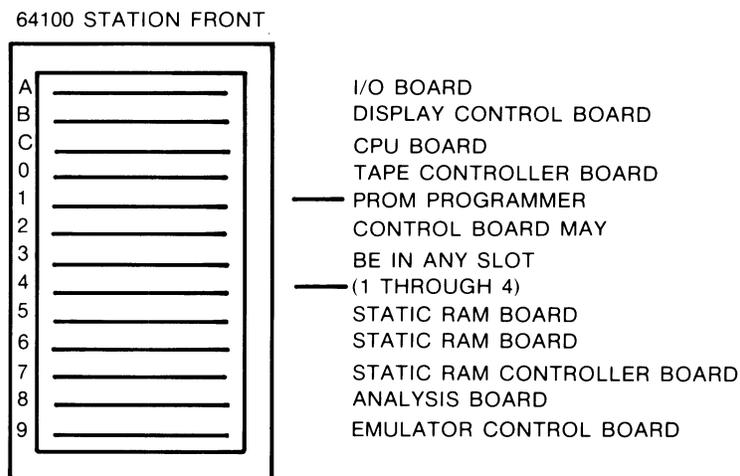
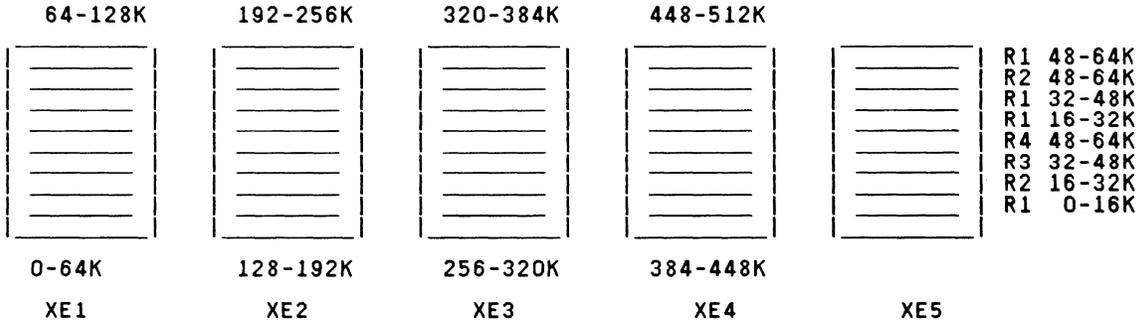


Figure 2-2. Emulation Memory Installation with Analysis



XE1-4 determine the addressable range of the Memory Card. The primary purpose for XE5 is to configure the 6416X series Memory to be compatible with the 6415X series Memory. XE5 performs row mapping. The following guidelines will help you avoid memory mapping errors.

When using 6416X series Memory Cards only.

1. The memory space defined by the 8-pin DIP jumper in XE1-4 may not overlap the address space assigned to any other memory card in systems using 64161A.
2. When using the 64161A the jumper in XE5 must be in the row 1-4.
3. When using a mixture of 64162A and 64163A cards the address space assigned in XE5 must not overlap when more than one card is assigned to the same address space in XE1-4.

When using a mixture of 6416X and 6415X Memory Cards.

1. When combining 6416X and 6415X Memory Cards you cannot assign address space higher than 64K words.
2. Be certain that the address space assigned to one card does not overlap the address space assigned to any other card.
3. Follow the configuration guides in Table 2-1 to Table 2-4. Figure 2-3. Address Range Jumper Installation

## 2-7. MEMORY SPACE CONFIGURATION GUIDE

## 2-8. MEMORY SPACE CONFIGURATIONS WITH THE 64151A STANDARD MEMORY CONTROLLER

## Model 64161A

64161A (128k bytes) cannot be attached to a 64151A memory controller that is attached to any of the 64152A/3A/4A or 64152B/3B/4B memory boards. A 64161A Memory Board must have an 8-pin DIP jumper in row 1-4 of XE5. Another 8-pin DIP jumper must be located in the 0-64k address range position in XE1.

## Model 64162A

The 64162A (32K words) would normally be all the memory that could be used with the 64151A Memory Controller. Although the 64151A can be configured for 16 bit operation, the Model 64155A is usually recommended for 16 bit emulation. If your 16-bit emulation system permits the use of the 64151A Memory Controller, follow the configuration guide listed in Table 2-2 to expand to 64K words of memory.

## Model 64163A

One of these boards may be attached to a Model 64151A along with one of the 64152/3/4 memory boards. If 6416X and 6415X memory boards are used together install the 6416X memory boards next to the 64151A Memory Controller. The 8-pin DIP jumper on the 64163A must be in XE1 in the position labeled 0-64K; the single jumper must be in XE5, in a position labeled R1. The address space of the 64152/3/4 memory boards being used must not overlap the address space assigned to the 64163A. Possible combinations of the 64163A and 64152/3/4 memory boards are listed in Table 2-1. Refer to Table 2-3 to assign address space to 64k word configurations when using the 64163A. The 8-pin DIP jumper must be in XE1, address range 0-64k on the 64162A board. The two single jumpers must be in XE5; one must be in a position labeled R1 and the other must be in a position labeled R2. The address space of R1 and R2 must not overlap. With 16-bit emulation two 64162A cards may be used.

Table 2-1.

	64163 row 1	64152/3/4
1	0-16K	16-32K
2	16-32K	0-16K

2-9. MEMORY CONFIGURATIONS WITH THE 64155A WIDE MEMORY CONTROLLER  
(with the 6416X memory you must use the 64155-66502 version)

Model 64161A

64161A (128k bytes) cannot be attached to a 64155A Memory Controller that is attached to any of the 64152/3/4 Memory Boards. A 64161A Memory Board must have a 8-pin DIP jumper in row 1-4 of XE5. Another 8-pin DIP jumper must be located in any one of the eight possible address range positions in XE1-XE4.

Model 64162A

The 64162A (64k bytes) can be used with a memory controller which has 64152A/64153A/64154A and/or 64152B/64153B/64154B Memory Boards. If 6416X and 6415X memory boards are used together DO NOT install the 6416X memory boards next to the 64155A Memory Controller. The 8-pin DIP jumper must be in XE1, address range 0-64k on the 64162A board. The two single jumpers must be in XE5; one must be in a position labeled R1 and the other must be in a position labeled R2. The address space of labels R1 and R2 must not overlap. The address space of the 64152/153/154 must not overlap the address space of the 64162A. A sample of address range configurations are listed in Table 2-2.

Table 2-2.

	64162		64152/3/4	64152/3/4
	row 1	row 2		
1*	0-16k	16-32k	32-48k	48-64k
2*	0-16k	48-64k	16-32k	32-48k
3+	16-32k	48-64k	0-16k	32-48k
4+	32-48k	16-32k	0-16k	48-64k
5+	32-48k	48-64k	0-16k	16-32k
6+	48-64k	16-32k	0-16k	32-48k

\*In configuration 1 and 2 if there is only one 64152/3/4 it can occupy either address space listed for the 64152/3/4 boards.  
+In configurations 3-6 there must be a block of memory with physical location at 0-16k; if there is only one 64152/3/4 it must be set to location 0-16k.

Model 64163A

One, two, or three of these boards can be attached to a memory control board along with three, two or one of the 64152/3/4 memory boards. If 6416X and 6415X memory boards are used together DO NOT install the 6416X memory boards next to the 64155 Memory Controller.

The 8-pin DIP jumper on the 64163A must be in XE1 in the position labeled 0-64k; Each board has a single jumper which must be put in a position labeled R1. If more than one of the 64163A Memory Boards are being used the address space of the R1 labels must not overlap.

The address space of the 64152/3/4 memory boards being used must not overlap the address space assigned to the 64163A memory boards being used. Possible combinations of 64152/3/4 memory boards and 64163A memory boards are listed in Table 2-3.

Table 2-3.

	64163 row 1	64152/3/4	64152/3/4	64152/3/4
1*	0-16k	16-32k	32-48k	48-64k
2+	16-32k	0-16k	32-48k	48-64k
3+	32-48k	0-16k	16-32k	48-64k
4+	48-64k	0-16k	16-32k	32-48
	64163 row 1	64163 row 1	64152/3/4	64152/3/4
5*	0-16k	16-32k	32-48k	48-64k
6*	0-16k	32-48k	16-32k	48-64k
7*	0-16k	48-64k	16-32k	32-48k
8+	16-32k	32-48k	0-16k	48-64k
9+	16-32k	48-64k	0-16k	32-48k
10+	32-48k	48-64k	0-16k	16-32k
	64163 row 1	64163 row 1	64163 row 1	64152/3/4
11	0-16k	16-32k	32-48k	48-64k
12	0-16k	32-48k	48-64k	16-32k
13	0-16k	16-32k	48-64k	32-48k
14+	16-32k	32-48k	48-64k	0-16k

\*in configurations 1,5,6,7 if there is only one 64152/3/4 memory board it can occupy either address space listed for 64152/3/4 memory boards.

+in configurations 2-4,8-10, 14; there must be a block of memory located at 0-16k, so one of the 64152/3/4 memory boards must be set to location 0-16k.

Model 64162 with Model 64163

A combination of 64162A and 64163A boards may be attached to a memory controller with one 64152/3/4 memory board.

The 8-pin DIP jumper on the 64162 and the 64163 must be in the position 0-64k. For the two single jumpers of the 64162, one must be in a position labeled with R1 and the other must be in a position labeled with R2. The single jumper must be in a position labeled R1 on the 64163. The address spaces of the single jumpers must not overlap each other.

The address space assigned to each board must not overlap the address space assigned to any of the other boards.

Table 2-4

	64162		64163	64163
	row 1	row 2	row 1	row 1
1	0-16k	16-32k	32-48k	48-64k
2	0-16k	16-32k	48-64k	32-48k
3	0-16k	48-64k	16-32k	32-48k
4	0-16k	48-64k	32-48k	16-32k
5	16-32k	48-64k	0-16k	32-48k
6	16-32k	48-64k	32-48k	0-16k
7	32-48k	16-32k	0-16k	48-64k
8	32-48k	16-32k	48-64k	0-16k
9	32-48k	48-64k	0-16k	16-32k
10	32-48k	48-64k	16-32k	0-16k
11	48-64k	16-32k	0-16k	32-48k
12	48-64k	16-32k	32-48k	0-16k

2-10. OPERATING ENVIRONMENT.

2-11. The 64161A/162A/163A may be operated in environments within the following limits:

- Temperature.....0°C to 40°C
- Humidity.....5 to 80% relative humidity at 40°C
- Altitude.....4 600 M (15 000 ft)

It should be protected from temperature extremes which cause condensation within the instrument.

## 2-12. STORAGE AND SHIPMENT.

## 2-10. Environment.

2-13. The 64161A/162A/163A may be stored or shipped in environments within the following limits:

Temperature.....-40° C to +75° C  
Humidity.....5 to 80% relative humidity  
Altitude.....15 000 m (50 000 ft)

## 2-14. Packaging.

2-15. Original Packaging. Containers and materials identical to those used in factory packaging are available through Hewlett-Packard offices. If the instrument is being returned to Hewlett-Packard for servicing, attach a tag indicating the type of service required, return address, model number, and full serial number. Also, mark the container FRAGILE to ensure careful handling. In any correspondence, refer to the instrument by model number and full serial number.

2-17. Other Packaging. The following general instructions should be used for repacking with commercially available materials:

- a. Wrap instrument in heavy paper or plastic. (If shipping to Hewlett-Packard office or service center, attach tag indicating service required, return address, model number, and full serial number.)
- b. Use strong shipping container. A double-wall carton made of 350-pound test material is adequate.
- c. Use a layer of shock-absorbing material 70 to 100 mm (3- to 4-inch) thick around all sides of the instrument to provide firm cushioning and prevent movement inside container.
- d. Seal shipping container securely.
- e. Mark shipping container FRAGILE to ensure careful handling.
- f. In any correspondence, refer to instrument by model number and full serial number.



SECTION III

OPERATION

Operation of the Model 64161A/162A/163A is beyond the scope of this manual. Emulation memory is an integral part of the emulation subsystem.



## SECTION IV

## PERFORMANCE VERIFICATION AND TROUBLESHOOTING

## 4-1. INTRODUCTION.

4-2. This section describes the Performance Verification for the Models 64161A/64162A/64163A Emulation Memory Boards.

4-3. This section is divided into two subsections: How to Run Performance Verification, and How to Interpret Performance Verification. Although the first subsection provides instructions on running several tests, only two tests will be described in the interpretation.

4-4. Use the following instructions to find the paragraphs which describe the Performance Verification of your system.

a. Be certain that your Memory subsystem is installed according to the directions in Section II.

b. For a system that is configured with a 64151A Memory Control Board.

4-9. How to Run Performance Verification

4-15. How to Interpret Performance Verification

c. For a system that is configured with a 64155 Memory Control

4-12. How to Run Performance Verification with a mixture of 6416X and 6415X Memory Boards.

4-12. How to Run Performance Verification with only 6416X memory boards.

4-20. How to Interpret Performance Verification.

## 4-5. PERFORMANCE VERIFICATION.

4-6. The Performance Verification for the Models 64161A/64162A/64163A Emulation Memory is a subset of the 64000 system `opt_test` Performance Verification. The `opt_test` Performance Verification tests all possible option modules that can be configured within the expansion slots of the 64000 mainframe. Table 4-1 defines the softkey options available.

4-7. The scope of the Performance Verification procedures in this section is to provide the minimum amount of information necessary to completely verify the operation of the Emulation Memory Boards. Procedures for complete verification of the Emulation Memory subsystem are treated in the Service Manuals for the Emulation Memory Controllers and are not repeated here (although the user may be referred to these manuals while using the Performance Verification procedures).

Table 4-1. Option Test Softkey Definitions

<end>	Causes the test currently executing to abort and returns to the overview menu.
<cycle>	Causes the performance verification software to test each block of memory in turn, stepping to the next block as the testing of each block is completed.
<next_test>	Causes the inverse video bar to move highlighting the address range of the next block of emulation memory to be tested.
<start>	Causes the performance verification software to begin testing emulation memory in the address range currently highlighted by the inverse video bar.
<print>	Causes the performance verification test results (the area above the status line on the display) to be copied to the system printer, if one is connected.
<prev_test>	Causes the inverse video bar to highlight the address range immediately prior to the one currently highlighted. Used to select a desired block of memory for testing.
<img_test>	Causes image testing to be commenced on the block of memory whose address range is highlighted by the inverse video bar on the display. Used to check for address line problems.
<retn_test>	Causes the Performance Verification software to initiate the retention testing sequence, which is used to verify that the static RAM will hold a "0" or "1" for a certain amount of time.
<print>	Causes the test results above the status line to be copied to the system printer if one is connected.

- 4-8. HOW TO RUN PERFORMANCE VERIFICATION.
- 4-9. Memory PV With Model 64151A Memory Controller.  
(Configured in an 8-bit mode)
- 4-10. To run Performance Verification for the Emulation Memory Boards when a Model 64151A is being used as the emulation controller, use the following procedure:

- a. Disconnect the target system.
- b. Install the Emulation Memory subsystem in the HP 64000 development station. Refer to Section II of this manual for installation instructions. NOTE: FOR PERFORMANCE VERIFICATION--IF YOU ARE USING A COMBINATION OF 6416X AND 6415X MEMORY BOARDS ONE OF THE 6416X MEMORY BOARDS MUST BE INSTALLED NEXT TO THE 64151 MEMORY CONTROLLER.
- c. With the operating system initialized and awaiting a command , manually type or use the softkey:

```
opt_test      RETURN
<slot #> (of 64151A)  RETURN
<next_test> (until inverse video bar highlights the
              Processor Control Test)
<start>
<cycle>
```

This will test all available blocks of emulation memory.  
NOTE: If emulation memory is unavailable in any particular address range, then "FFFF" will be displayed as the status; however, "# of fails" will be displayed as a "0".

- d. If all available blocks of emulation memory test correctly, then the Emulation Memory Boards function correctly. It is then advisable to proceed with the remainder of the Emulation Memory subsystem testing as outlined in the appropriate Emulation Memory Controller Service Manual.

4-11. Memory Performance Verification with Model 64155A Memory Controller.

4-12. The following instructions cover Performance Verification for the Memory Controller and the Memory Boards. Only the "Memory Test" is described in this manual (paragraph 4-20). If the other tests fail, please refer to the 64155A Memory Control Service Manual. To run Performance Verification for the Emulation Memory Boards when a Model 64155A is being used as the Emulation Memory Controller, proceed as follows:

Running PV with a mixture of 6415X and 6416X memory boards.

- a. Disconnect the target system.
- b. Install the Emulation Memory subsystem in the HP64000 development station. Refer to Section II of this manual for installation instructions. NOTE: WHEN USING BOTH 6416X SERIES MEMORY AND 6415X MEMORY IN AN EMULATION SUBSYSTEM THE 6416X MEMORY BOARDS MUST NOT BE INSTALLED IN AN OPTION SLOT ADJACENT TO THE MODEL 64155 MEMORY CONTROLLER.

Running PV with 6416X Memory Boards only.

- a. Disconnect the target system.
- b. Install the Emulation Memory subsystem in the HP64000 development station. Refer to Section II of this manual for installation instructions. NOTE: FOR PERFORMANCE VERIFICATION--THE 6416X MEMORY BOARD MUST BE INSTALLED IN A SLOT ADJACENT TO THE MEMORY CONTROLLER.

The following steps are identical for any memory board configuration with the 64155A Memory Controller.

- c. With the operating system initialized and awaiting a command, manually type or use the softkey:

```
opt_test    RETURN
<slot #> (for 64155A) RETURN
select the memory range *
```

\*select the maximum memory range in "K words" of the memory boards being tested. For example, if the highest memory range of the boards being tested is 256K-320K (as indicated by the jumper located in XE1,XE2,XE3,XE4) depress the softkey corresponding to that range. When using a mixture of 6416X and 6415X memory always select 0-64k. It is not necessary to RETURN.

<next\_test> (until inverse video bar highlights the  
"System->Board Access Test")

<select>

This will display the "System->Board Access Test"

<cycle>

Cycle through the test several times. If no failures occur, press the <end> softkey which will return the display to the Memory Performance Verification overview menu.

<next\_test> (until inverse video bar highlights the  
"Memory Mapper" test)

<select>

This will display the "Memory Mapper" test.

<cycle>

Cycle through the Memory Mapper test sequence several times. If no failures occur, press the <end> softkey to return to the Memory PV overview menu.

<next\_test> (until inverse video bar highlights "Memory  
Control" test)

<select>

This will display the "Memory Control" test.

<cycle>

Cycle through the "Memory Control" test several times. If no failures occur, press the <end> softkey to return to the Memory PV overview menu.

<next\_test> (until inverse video bar highlights "Memory  
Test")

<select>

This will display the "Memory Test"

<cycle>

NOTE: if emulation memory is unavailable in any particular address range, then "FFFF" will be displayed as the status; however, "# of fails" will be displayed as a "0".

Allow the "Memory Test" to cycle through the test several times. This will test all available blocks of memory up to the limit specified when the address range was selected. If desired, each individual block may also be tested for possible imaging problems and data retention failures by moving the highlighted inverse video bar to the desired block of memory with the <next\_test> and <prev\_test> keys, then pressing the <img\_test> or <retn\_test> softkeys to perform the necessary tests.

If all available blocks of memory test with no failures, then the Emulation Memory Boards work correctly. It is advisable to proceed with the remainder of the Emulation Memory Subsystem testing as outlined in the Emulation Memory Controller Service Manual.

Memory Performance Verification Processor Control Test					
Static Memory in card slot # 7			# Tests = 0		
8085 Emulator in card slot # 9					
Block #	Error	# Fail	Block #	Error	# Fail
0 - 4K	0000	0	32 - 36K	0000	0
4 - 8K	0000	0	36 - 40K	0000	0
8 - 12K	0000	0	40 - 44K	0000	0
12 - 16K	0000	0	44 - 48K	0000	0
16 - 20K	0000	0	48 - 52K	0000	0
20 - 24K	0000	0	52 - 56K	0000	0
24 - 28K	0000	0	56 - 60K	0000	0
28 - 32K	0000	0	60 - 64K	0000	0
STATUS: Test in progress _____					0:08
end	cycle	next_test	start	print	

Figure 4-1. Processor Control Test Display.

#### 4-13. HOW TO INTERPRET PERFORMANCE VERIFICATION.

4-14. Theory of Operation for the Memory Performance Verification is treated on a software test/results interpretation basis only; and is treated separately for Emulation Memory Boards driven by the 64151A and 64155 Emulation Memory Controllers.

#### 4-15. Model 64151A/Emulation Memory--Processor Control Test.

4-16. Purpose--verifies that all the memory cells in a selected row can be written with random data patterns and that the data written can be read back correctly.

4-17. How--The Mainframe CPU initializes the Memory Controller Board and programs the memory mapper. Random data is then written to the first cell in the selected row of memory (a row is 16K deep by 16 bits wide). The data just written to this cell is immediately read back and compared with that written. The process then continues with each cell in turn. At the end of this process, the entire row of memory is read back and checked to verify that no RAM cells were overwritten by an address imaging problem (image testing is described further in the following paragraph). Errors are logged in a cumulative fashion to the status display.

4-18. Results--if no failures occur in the tested block of memory, the # fails indicator will be left at "0" and the "Error" message will display 0000 (hexadecimal), opposite the address range information for the selected block. However, if failures do occur in the tested block of memory, the # fails indicator will be incremented for each time that the test is run, and the "Error" message of 0000H will be replaced with a hexadecimal status message that indicates the position of the failing data bits. A "one" is placed in the status message for every data bit that is failing. To decode the status message, use the Table 4-1.

4-19. Because the memory is tested in 4K blocks and each IC is 16k long, imaging of 4K block sections is tested. The upper two address bits (A13, A12) are represented in the line "Image Errors" X1X2. If X1 is a "1" A13 is bad, if X0 is "1" A12 is bad.

Performance Verification Model 64161A/162A/163A

Table 4-2. Data Failure Status Decoding

<b>XXXX</b>	=	0000	0000	0000	0000	
		----	----	----	---1	D0
		----	----	----	--1-	D1
		----	----	----	-1--	D2
		----	----	----	1---	D3
		----	----	---1	----	D4
		----	----	--1-	----	D5
		----	----	-1--	----	D6
		----	----	1---	----	D7
		----	---1	----	----	D8
		----	--1-	----	----	D9
		----	-1--	----	----	D10
		----	1---	----	----	D11
		---1	----	----	----	D12
		--1-	----	----	----	D13
		-1--	----	----	----	D14
		1---	----	----	----	D15

Table 4-3.

ERROR CODE		1				C				0				9			
BINARY		0	0	0	1	1	1	1	0	0	0	0	0	1	0	0	1
1	0-16 16-32 32-48 48-64	U7P	U7Q	U7N	U7M	U7L	U7K	U7J	U7I	U7H	U7G	U7F	U7E	U7D	U7C	U7B	U7A
2	16-32 48-64	U6P	U6Q	U6N	U6M	U6L	U6K	U6J	U6I	U6H	U6G	U6F	U6E	U6D	U6C	U6B	U6A
3	32-48	U5P	U5Q	U5N	U5M	U5L	U5K	U5J	U5I	U5H	U5G	U5F	U5E	U5D	U5C	U5B	U5A
4	48-64	U4P	U4Q	U4N	U4M	U4L	U4K	U4J	U4I	U4H	U4G	U4F	U4E	U4D	U4C	U4B	U4A
ROW	ADDRESS RANGE																
DATA BITS		D15	D14	D13	D12	D11	D10	D9	D8	D7	D6	D5	D4	D3	D2	D1	D0
DATA BUFFERS		U3N				U3M				U3L				U3K			
								UPPER BYTE				LOWER BYTE					

4-20. Memory Test with the 64155 Controller.

4-21. Purpose--Verifies that all memory cells in the selected row can be written with random data patterns and that the data written can be read back correctly. If desired, the test can also verify that no address imaging problems exist, and that the RAM cells can retain data for a certain amount of time.

4-22. What--Each possible test is described in the paragraphs below.

- a. Memory Test. The Mainframe CPU initializes the Memory Controller Board and programs the memory mapper. Random data is then written to the first cell in the selected row of memory (a row is 16K deep by 16 bits wide). The data just written to this cell is immediately read back and compared with that written. The process then continues with each cell in turn. At the end of this process, the entire row of memory is read back and checked to verify that no RAM cells were overwritten by an address imaging problem (image testing is described further in the following paragraph). Errors are logged in a cumulative fashion to the status display.
- b. Image Test. If the <img\_test> softkey is pressed, the Performance Verification software initiates image testing of the selected row of RAM. This testing checks for open or shorted address lines. The reasons for and process of image testing are best explained by examining the case of an 8 X 1 RAM device.

Memory Test						
# Tests = [ 0 ] ( on indicated memory block )						
Memory Board	#Tests	# Fail	Mem. Block	Bit Failure (cum.)	#Fail	
> 0 - 64K	0	0	:	> 0 - 16K	0000 (0000)	0
64 - 128K			:			
128 - 192K			:	16 - 32K	0000 (0000)	0
192 - 256K			:			
256 - 320K			:	32 - 48K	0000 (0000)	0
320 - 384K			:			
384 - 448K			:	48 - 64K	0000 (0000)	0
448 - 512K			:			
Image/Retention Test Results:			First Location To Fail - <_____>			
			Data Bits To Fail - <_____>			

Figure 4-2. Memory Test Display

Suppose we proceed to image test the RAM, and there are no address line problems or other problems associated with the RAM. We would proceed with image testing the Most Significant address line of the RAM by pulling it low, then high, while incrementing the least significant address bits. Note that at the same time that the most significant address bit is changed, we also change the data written into the RAM from a "0" to a "1". The loaded RAM appears as follows:

8 x 1 RAM	
ADDRESS	DATA
000	0
001	0
010	0
011	0
100	1
101	1
110	1
111	1

If the data is now read back, and there are no address line problems, then the correct data is interpreted as coming from each location.

Now let's examine the same situation, but with a different twist. We're still testing the most significant address bit for an imaging problem, but this time, it's not making contact with the address input of the RAM because of a bad socket (or for whatever other reason). Note: it is important to remember that unconnected inputs in TTL and MOS generally float to the high state. When we try to load the first four locations, here's what happens:

8 x 1 RAM	
ADDRESS	DATA
000	x
001	x
010	x
011	x
100	0
101	0
110	0
111	0

No data is loaded into the first four locations because the most significant address line could not be pulled low.

Instead, the 0's are loaded into the next four locations because the most significant address bit floats to the high state. When the next four locations are loaded the results are as follows:

8 x 1 RAM

ADDRESS	DATA
000	x
001	x
010	x
011	x
100	1
101	1
110	1
111	1

Notice that the 1's are loaded into the correct locations, because the MSB address line has floated high, however, they overwrite the 0's that were written earlier.

What happens now? When the performance verification software attempts to read the RAM back, it will begin by attempting to read locations 000-011, at which it tried to store 0's. However, since the most significant address line is open, it reads back the 1's that were stored at 1000-111--which is the "image" of the lower address range. The 1's were not the correct response; therefore, an error message is displayed for locations 000-011. To troubleshoot this type of failure, the technician only needs to determine which address line would have to be open to cause one set of addresses to fail and another set of addresses to pass.

- c. Retention Test. This test checks the ability of each RAM cell to hold data for a defined length of time. To do this, the mainframe CPU writes 0's to every location in memory, waits 60 seconds, then reads every location back, The process is repeated by writing 1's to all locations, then reading the locations back after approximately 60 seconds. As soon as a failure is detected in either test, the testing is aborted.

#### 4-23. Results.

- a. Memory Test. If no data failures are encountered during testing of the selected 64K address range, then the "#FAIL" status is left at 0. This information is displayed on the left hand side of the screen. If failures occur during the course of the test, then "# FAIL" status is incremented once for every time the test is run. The right side of the display divides each 64K memory block

into four 16K blocks which correspond to the four rows of memory chips. The "BIT FAILURE" status will display a hexadecimal status message indicating the position of the failing bits. To interpret the status message refer to Table 4-x.

- b. Image Test. If no failures are found during the image testing, then the "First Location to Fail" status and the "Data Bits to Fail" status will be left blank. These status lines are located directly across from the "Image/Retention Test Results" line on the display. If a failure is encountered during the course of the image testing, then the blank "First Location to Fail" status will be replaced by a hexadecimal status message which shows the address of the first failure location; and the "Data Bits to Fail" status will be replaced by a hexadecimal status message which shows the data bits which failed at that locations. For information on decoding the data status, refer to Table 4-x.
- c. Retention Test. If no failures are found during the retention testing, then the "First Location to Fail" status and the "Data Bits to Fail" status will be left blank. These status lines are located directly across from the "Image/Retention Test Results" line on the display. However, if a failure is encountered during the retention testing, then the test aborts. The blank "First Location to Fail" status will be replaced with a hexadecimal status message which shows the address location of the memory cell that changed during the lag time between the write and the read; the "Data Bits to Fail" status will be replaced with a hexadecimal status message which shows the data RAM's that were unable to retain the information for the required length of time. For information on decoding the data status, refer to Table 4-1.

```

Wide Address Memory Controller Performance Verification
Static Memory Controller in card slot # 2

>System -> Board Access Test                # Failures  # Tests
Memory Mapper Test                          0             0
Memory Control Test                         0             0
Memory Test                                  0             0
Emulation Access Test                        0             0
p NOTE: Remove Cables Leading to Emulation Controller
p      and Internal Analysis to Run This Test.
    
```

Figure 4-3. Performance Verification Overview Display

```

System -> Board Access Test

>Interrupt Status Test    Present    Cumulative    # Failures    # Tests
                        Result      Result
                        0000        0000           0             0
Access Status Test       0000        0000           0             0
    
```

Figure 4-4. System-Board Access Test Display

Memory Mapper Test		# Failures	# Tests
> 2 K word Block Size		0	0
128 Word Block Size		0	0
	Present Bit Failures	Cumulative Bit Failures	
System Data Bus	0000	0000 (supply shorts or opens)	
	0000	0000 (word mode)	
	0000	0000 (byte mode)	
System Address Bus	0000	0000 (walking ones)	
	0000	0000 (walking zeroes)	
Mapper Image Test	0000	0000 (walking ones)	
	0000	0000 (walking zeroes)	
System Address Register	0000	0000 (walking ones)	
	0000	0000 (walking zeroes)	

Figure 4-5. Memory Mapper Test Display

Memory Control Test	# Failures	# Tests
>Block Size Select Option Test	0	0
Real Time Access Option Test	0	0
Allow Writes to ROM Option Test	0	0
Memory Controller Interrupt Option Test	0	0

Figure 4-6. Memory Control Test Display

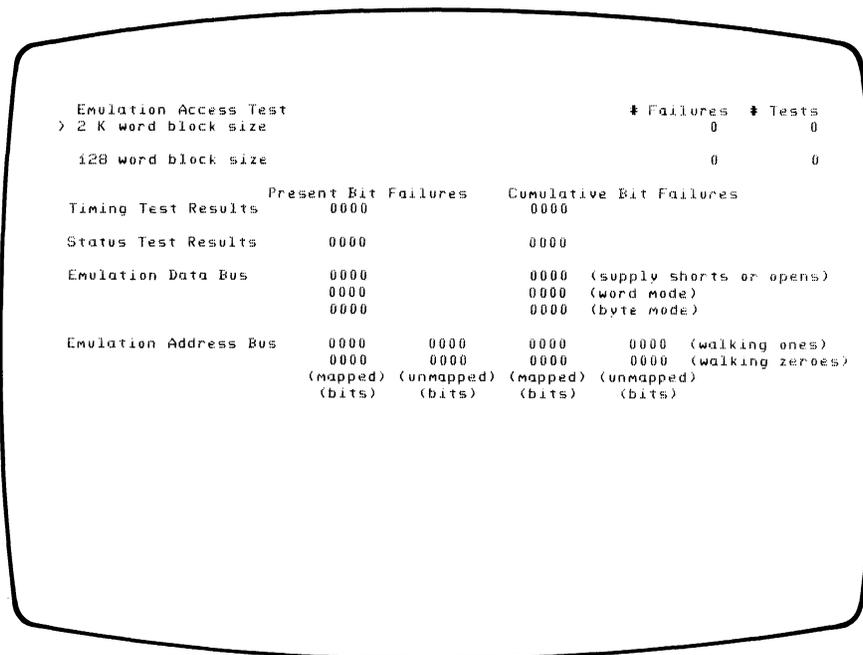


Figure 4-7. Emulation Access Test Display.



SECTION V

ADJUSTMENTS

Models 64161A/162A/163A Emulation Memory require no adjustments.



## SECTION VI

## REPLACEABLE PARTS

## 6-1. INTRODUCTION.

6-2. This section contains information for ordering parts. Table 6-1 lists abbreviations used in the parts list and throughout the manual. Table 6-2 lists all replaceable parts in reference designator order. Table 6-3 contains names and addresses that correspond to the manufacturers' code numbers.

## 6-3. ABBREVIATIONS.

6-4. Table 6-1 lists abbreviations used in the parts list, the schematics and throughout the manual. In some cases, two forms of the abbreviations are used, one all in capital letters, and one partial or no capitals. This occurs because the abbreviations in the parts list are always all capitals. However, in the schematics and other parts of the manual, other abbreviation forms are used with both lower case and upper case letters.

## 6-5. REPLACEABLE PARTS LIST.

6-6. Table 6-2 is the list of replaceable parts and is organized as follows:

- a. Electrical assemblies and their components in alphanumerical order by reference designation.
- b. Chassis-mounted parts in alphanumerical order by reference designation.
- c. Miscellaneous parts.
- d. Illustrated parts breakdowns, if appropriate.

The information given for each part consists of the following:

- a. The Hewlett-Packard part number.
- b. The total quantity (Qty) in the instrument.
- c. The description of the part.
- d. A typical manufacturer of the part in a five-digit code.
- e. The manufacturer's number for the part.

The total quantity for each part is given only once--at the first appearance of the part number in the list.

6-7. ORDERING INFORMATION.

6-8. To order a part listed in the replaceable parts table, quote the Hewlett-Packard part number, indicate the quantity required, and address the order to the nearest Hewlett-Packard office.

6-9. To order a part that is not listed in the replaceable parts table, include the instrument model number, instrument serial number, the description and function of the part, and the number of parts required. Address the order to the nearest Hewlett-Packard Office.

6-10. SPARE PARTS KIT.

6-11. At this time no Spare Parts Kit is available for this instrument

6-12. DIRECT MAIL ORDER SYSTEM.

6-13. Within the USA, Hewlett-Packard can supply parts through a direct mail order system. Advantages of using the system are as follows:

a. Direct ordering and shipment from the HP Parts Center in Mountain View, California.

b. No maximum or minimum on any mail order (there is a minimum order amount for parts ordered through a local HP office when orders require billing and invoicing).

c. Prepaid transportation (there is a small handling charge for each order).

d. No invoices--to provide these advantages, a check or money order must accompany each order.

6-14. Mail order forms and specific ordering information is available through your local HP office. Addresses and phone numbers are located at the back of this manual.

Table 6-1. Reference Designators and Abbreviations

REFERENCE DESIGNATORS							
<b>A</b>	= assembly	<b>F</b>	= fuse	<b>MP</b>	= mechanical part	<b>U</b>	= integrated circuit
<b>B</b>	= motor	<b>FL</b>	= filter	<b>P</b>	= plug	<b>V</b>	= vacuum, tube, neon bulb, photocell, etc
<b>BT</b>	= battery	<b>IC</b>	= integrated circuit	<b>Q</b>	= transistor	<b>VR</b>	= voltage regulator
<b>C</b>	= capacitor	<b>J</b>	= jack	<b>R</b>	= resistor	<b>W</b>	= cable
<b>CP</b>	= coupler	<b>K</b>	= relay	<b>RT</b>	= thermistor	<b>X</b>	= socket
<b>CR</b>	= diode	<b>L</b>	= inductor	<b>S</b>	= switch	<b>Y</b>	= crystal
<b>DL</b>	= delay line	<b>LS</b>	= loud speaker	<b>T</b>	= transformer	<b>Z</b>	= tuned cavity network
<b>DS</b>	= device signaling (lamp)	<b>M</b>	= meter	<b>TB</b>	= terminal board		
<b>E</b>	= misc electronic part	<b>MK</b>	= microphone	<b>TP</b>	= test point		
ABBREVIATIONS							
<b>A</b>	= amperes	<b>H</b>	= henries	<b>N/O</b>	= normally open	<b>RMO</b>	= rack mount only
<b>AFC</b>	= automatic frequency control	<b>HDW</b>	= hardware	<b>NOM</b>	= nominal	<b>RMS</b>	= root-mean square
<b>AMPL</b>	= amplifier	<b>HEX</b>	= hexagonal	<b>NPO</b>	= negative positive zero (zero temperature coefficient)	<b>RWV</b>	= reverse working voltage
<b>BFO</b>	= beat frequency oscillator	<b>HG</b>	= mercury	<b>NPN</b>	= negative-positive-negative	<b>S-B</b>	= slow-blow
<b>BE CU</b>	= beryllium copper	<b>HR</b>	= hour(s)	<b>NRFR</b>	= not recommended for field replacement	<b>SCR</b>	= screw
<b>BH</b>	= binder head	<b>HZ</b>	= hertz	<b>NSR</b>	= not separately replaceable	<b>SE</b>	= selenium
<b>BP</b>	= bandpass	<b>IF</b>	= intermediate freq	<b>OB</b>	= order by description	<b>SECT</b>	= section(s)
<b>BRS</b>	= brass	<b>IMPG</b>	= impregnated	<b>OH</b>	= oval head	<b>SEMICON</b>	= semiconductor
<b>BWO</b>	= backward wave oscillator	<b>INCD</b>	= incandescent	<b>OX</b>	= oxide	<b>SI</b>	= silicon
<b>CCW</b>	= counter-clockwise	<b>INCL</b>	= include(s)			<b>SIL</b>	= silver
<b>CER</b>	= ceramic	<b>INS</b>	= insulation(ed)			<b>SL</b>	= slide
<b>CMO</b>	= cabinet mount only	<b>INT</b>	= internal			<b>SPG</b>	= spring
<b>COEF</b>	= coefficient	<b>K</b>	= kilo=1000			<b>SPL</b>	= special
<b>COM</b>	= common	<b>LH</b>	= left hand	<b>P</b>	= peak	<b>SST</b>	= stainless steel
<b>COMP</b>	= composition	<b>LIN</b>	= linear taper	<b>PC</b>	= printed circuit	<b>SR</b>	= split ring
<b>COMPL</b>	= complete	<b>LK WASH</b>	= lock washer	<b>PF</b>	= picofarads= 10 <sup>-12</sup> farads	<b>STL</b>	= steel
<b>CONN</b>	= connector	<b>LOG</b>	= logarithmic taper	<b>PH BRZ</b>	= phosphor bronze	<b>TA</b>	= tantalum
<b>CP</b>	= cadmium plate	<b>LPF</b>	= low pass filter	<b>PHL</b>	= phillips	<b>TD</b>	= time delay
<b>CRT</b>	= cathode-ray tube	<b>M</b>	= milli=10 <sup>-3</sup>	<b>PIV</b>	= peak inverse voltage	<b>TGL</b>	= toggle
<b>CW</b>	= clockwise	<b>MEG</b>	= meg=10 <sup>6</sup>	<b>PNP</b>	= positive-negative-positive	<b>THD</b>	= thread
<b>DEPC</b>	= deposited carbon	<b>MET FLM</b>	= metal film	<b>P/O</b>	= part of	<b>TI</b>	= titanium
<b>DR</b>	= drive	<b>MET OX</b>	= metallic oxide	<b>POLY</b>	= polystyrene	<b>TOL</b>	= tolerance
<b>ELECT</b>	= electrolytic	<b>MFR</b>	= manufacturer	<b>PORC</b>	= porcelain	<b>TRIM</b>	= trimmer
<b>ENCAP</b>	= encapsulated	<b>MHZ</b>	= mega hertz	<b>POS</b>	= position(s)	<b>TWT</b>	= traveling wave tube
<b>EXT</b>	= external	<b>MINAT</b>	= miniature	<b>POT</b>	= potentiometer	<b>U</b>	= micro=10 <sup>-6</sup>
<b>F</b>	= farads	<b>MOM</b>	= momentary	<b>PP</b>	= peak-to-peak	<b>VAR</b>	= variable
<b>FH</b>	= flat head	<b>MOS</b>	= metal oxide substrate	<b>PT</b>	= point	<b>VDCW</b>	= dc working volts
<b>FIL H</b>	= fillister head	<b>MTG</b>	= mounting	<b>PWV</b>	= peak working voltage	<b>W/</b>	= with
<b>FXD</b>	= fixed	<b>MY</b>	= "mylar"	<b>RECT</b>	= rectifier	<b>W</b>	= watts
<b>G</b>	= giga (10 <sup>9</sup> )	<b>N</b>	= nano (10 <sup>-9</sup> )	<b>RF</b>	= radio frequency	<b>WIV</b>	= working inverse voltage
<b>GE</b>	= germanium	<b>N/C</b>	= normally closed	<b>RH</b>	= round head or right hand	<b>WW</b>	= wirewound
<b>GL</b>	= glass	<b>NE</b>	= neon			<b>W/O</b>	= without
<b>GRD</b>	= ground(ed)	<b>NI PL</b>	= nickel plate				

Table 6-2. Replaceable Parts List

Reference Designation	HP Part Number	C D	Qty	Description	Mfr Code	Mfr Part Number
A1	64161-66501	B	1	BOARD ASSEMBLY-MEMORY 128K	28480	64161-66501
C1-C2	0160-5246	6	80	CAPACITOR-FXD .1 UF +80-20% 50 VDC CER	28480	0160-5246
C3-C4	0180-0229	4	4	CAPACITOR-FXD 22 UF +-10% 15 VDC TA	28480	0180-0229
C5-C62	0160-5246	6	6	CAPACITOR-FXD .1 UF +80-20% 50 VDC CER	28480	0160-5246
TP1-TP3	0360-0535	0	3	TERM TEST POINT	28480	0360-0535
R1-R2	0757-0280	3	6	RESISTOR 1K 1% .125W F TC=0+-100	28480	0757-0280
R3-R4	0698-3432	7	2	RESISTOR 26.1 1% .125W F TC=0+-100	28480	0698-3432
R5	0757-0280	3	3	RESISTOR 1K 1% .125W F TC=0+-100	28480	0757-0280
R6-R9	0757-0399	5	4	RESISTOR 82.5 1% .125W F TC=0+-100	28480	0757-0399
R10-R12	0757-0280	3	3	RESISTOR 1K 1% .125W F TC=0+-100	28480	0757-0280
XE1-XE5	1200-0607	0	5	SOCKET-IC 16-CONT DIP DIP-SLDR	28480	1200-0607
E1-E2	1251-4398	1	2	SHUNT DIP 4 POSITION; DUAL INLINE PKG	28480	1251-4398
RP1	1810-0275	1	1	NETWORK-RES 10-SIP 1.0K OHM X 9	28480	1810-0175
UR3C-UR3F	1810-0600	6	4	NETWORK-RES 16-DIP 40.0 OHM X 8	28480	1810-0600
U2C	1820-1633	8		IC BFR TTL S INV OCTL 1-INP	01295	SN74S240N
U2D	1820-1633	8		IC BFR TTL S INV OCTL 1-INP	01295	SN74S240N
U2E	1820-1633	8		IC BFR TTL S INV OCTL 1-INP	01295	SN74S240N
U2F	1820-1633	8		IC BFR TTL S INV OCTL 1-INP	01295	SN74S240N
U2G	1820-2861	5	4	IC DCDR TTL F 3-TO-8 LINE 3-INP	07263	74F138PC
U2H	1820-2861	5		IC DCDR TTL F 3-TO-8 LINE 3-INP	07263	74F138PC
U2I	1820-2861	5		IC DCDR TTL F 3-TO-8 LINE 3-INP	07263	74F138PC
U2J	1820-2861	5		IC DCDR TTL F 3-TO-8 LINE 3-INP	07263	74F138PC
U2K	1820-2690	9	1	IC GATE TTL F OR QUAD 2-INP	07263	74F32
U2L	1820-1198	0	2	IC GATE TTL LS NAND QUAD 2-INP	01295	SN74LS03N
U2M	1820-1198	0		IC GATE TTL LS NAND QUAD 2-INP	01295	SN74LS03N
U3G	1820-1204	9	1	IC GATE TTL LS NAND DUAL 4-INP	01295	SN74LS20
U3J	1820-2684	1	1	IC GATE TTL F NAND QUAD 2-INP	07263	74F00
U3K	1820-1633	8	8	IC BFR TTL S INV OCTL 1-INP	01295	SN74S240N
U3L	1820-1633	8		IC BFR TTL S INV OCTL 1-INP	01295	SN74S240N
U3M	1820-1633	8		IC BFR TTL S INV OCTL 1-INP	01295	SN74S240N
U3N	1820-1633	8		IC BFR TTL S INV OCTL 1-INP	01295	SN74S240N
U4A-U4P	1818-1969	8	64	IC CMOS F16384 (16K) STAT RAM 70NS	S4013	HM6167P
U5A-U5P	1818-1969	8		IC CMOS F16384 (16K) STAT RAM 70NS	S4013	HM6167P
U6A-U6P	1818-1969	8		IC CMOS F16384 (16K) STAT RAM 70NS	S4013	HM6167P
U7A-U7P	1818-1969	8		IC CMOS F16384 (16K) STAT RAM 70NS	S4013	HM6167P
E3,4	1258-0182	7	2	CONNRP IM PLUG	28480	1258-0182

See introduction to this section for ordering information

Table 6-3. List of Manufacturers' Codes

Mfr No.	Manufacturer Name	Address	Zip Code
00000 01295 07263 S4013	ANY SATISFACTORY SUPPLIER TEXAS INSTR INC SEMICOND CMPNT DIV FAIRCHILD SEMICONDUCTOR DIV HITACHI	DALLAS TX MOUNTAIN VIEW CA TOKYO JP	75222 94042

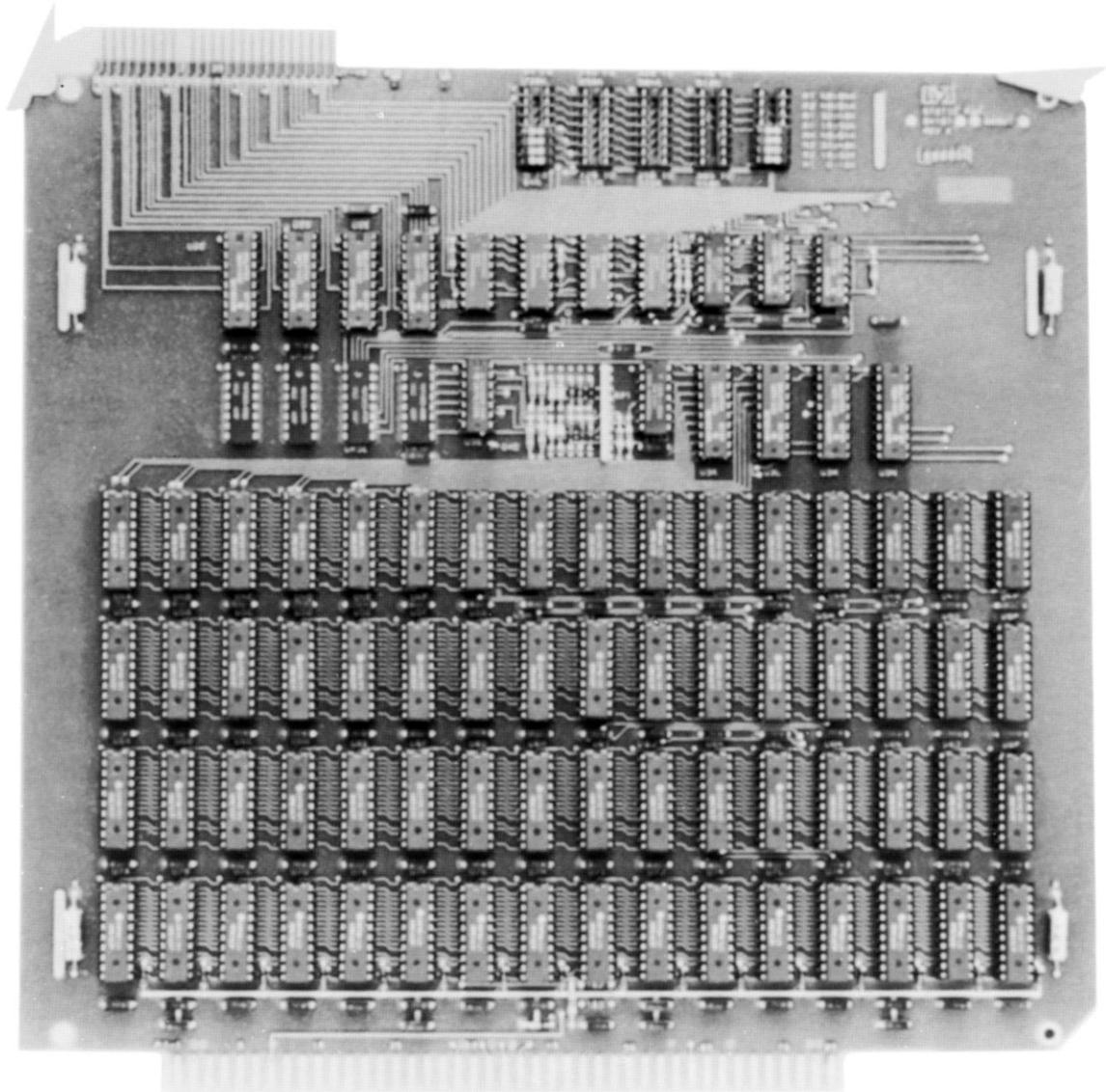


Figure 6-1. Replaceable Parts Locator

SECTION VII

MANUAL CHANGES

This section normally contains information for backdating this manual for models with repair numbers prior to the one shown on the title page. Because this edition includes the information for the first repair number there is no backdating material.

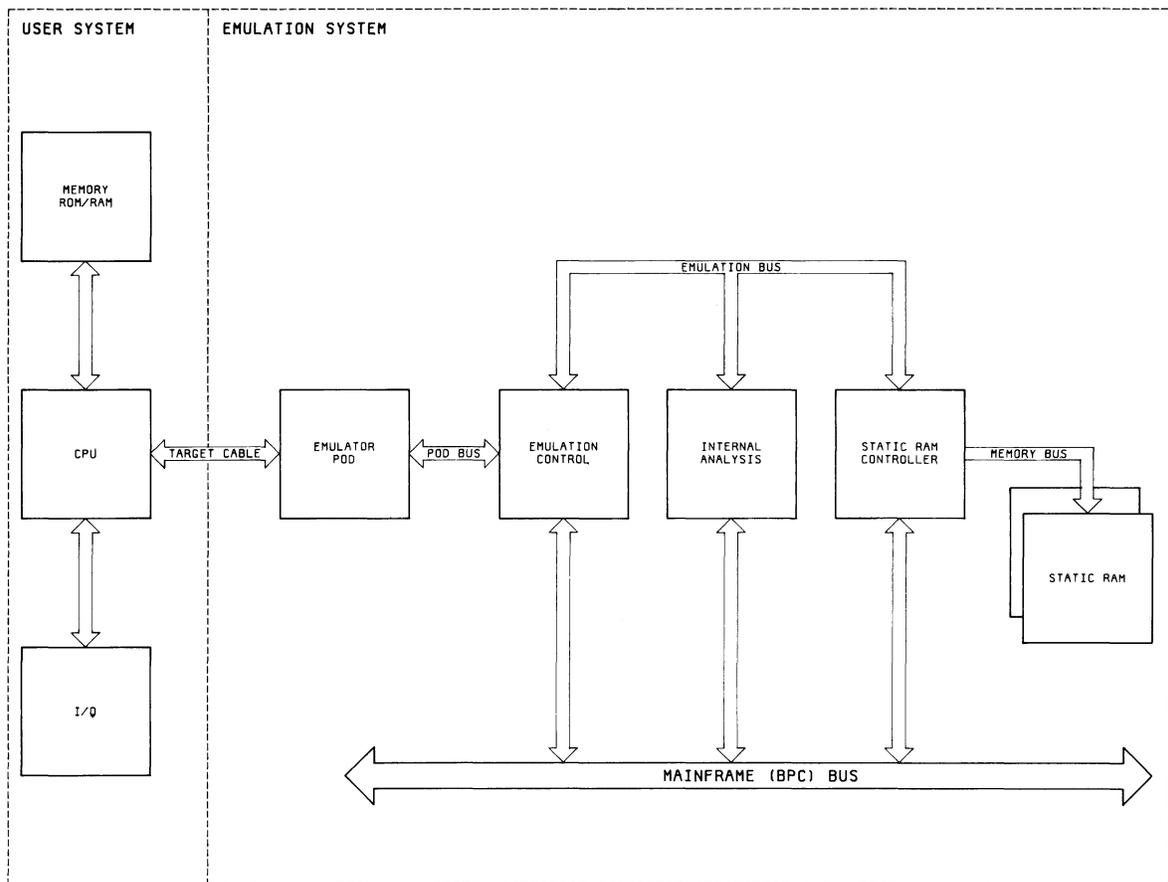


Figure 8-1. Emulation Subsystem

## SECTION VIII

## THEORY AND SCHEMATICS

## 8-1. INTRODUCTION.

8-2. This section contains block and component level theory and schematics for the 64161A, 64162A and 64163A Emulation Memories.

8-3. LOGIC CONVENTIONS. The positive logic convention is used for logic variables and circuits within the 64161A/162A/163A. Positive logic defines a "1" as the more positive voltage (high) and a "0" as the more negative logic (low).

8-4. LOGIC LEVELS. TTL high- 2.0 low 0.8

8-5. POWER SUPPLIES. The mainframe supplies +5 volts and +12 volts to the emulation memory for operating power.

8-6. The block diagram, schematic, component locator, and other service information are provided in foldout service sheets to help in servicing the emulation memory.

## 8-7. THEORY.

## 8-8. OVERVIEW.

8-9. The 64000 microprocessor emulation systems, illustrated in figure 1-2, allow software designers to develop and debug software modules for specific microprocessors. The emulation plug replaces the microprocessor physically in the target system permitting hardware in the emulation system to simulate the functions of the target microprocessor while driving target system hardware with the software being developed.

8-10. The emulation memory can be used to duplicate the target system memory. Address space can be allocated to target system EAM, target system ROM, emulation RAM, and emulation ROM, and illegal address space.

8-11. The Memory Controller is the interface between the emulation memory, the installed Emulator, and the 64000 operating system. This option also maps the users address received via the emulation bus into available emulation memory. The mapping process is performed by mapper RAM's which reside on the Memory Controller. A read/write operation to emulation memory is performed via the memory bus.

8-12. The mapper RAM's also output signals which specify what type of memory the given block of emulation memory is supposed simulate (RAM, ROM, or GUARDED Memory), or whether a given address is

to be regarded as user address space and not acted upon. The Memory Controller will also signal the analysis equipment and halt emulation when a GUARDED memory access is attempted and, if optionally configured, when a write to ROM is attempted.

8-13. When the 64161A/162A/163A Memory Boards are installed each Memory Board is hardwired with DIP jumpers to enable a specific memory range so that only one Memory Board will respond to each address.

8-14. The hardware on the Memory Boards simulates address decoder circuitry and some type of memory space which has been defined on the Memory Controller.

8-15. BLOCK THEORY.

8-16. The Model 64161A/162A/163A Block Diagram illustrates the three functional blocks of the memory board: decoder circuitry, address and data buffers, and the memory array. The decoder circuitry specifies the address range of the memory board, decodes the memory rows selected, produces a read enable signal and configures the 64162A and 64163A memory mapping to be compatible with 64152A, 64153A and 64154A memory boards. The address and data buffers drive the signals which are direct inputs to the RAM array.

8-17. U2G through U2J, ROW SELECT DECODERS, demultiplex the upper five address lines A14-A18 to select row numbers of the memory to be accessed. An 8-pin DIP jumper plugged into one of the sockets XE1-XE4 specifies the 64K word addressable range of the memory board.

8-18. The ADDRESS RANGE SELECT JUMPER, XE5 configures the 64162A and 64163A to be compatible with the 64152A, 64153A and 64154A memory boards. If the 64161A, 64162A, or 64163A are not combined with other memory boards an 8-pin DIP jumper should be plugged into the lower half of the socket. Please refer to Section II for complete information on the memory mapping configurations which are possible.

8-19. The network composed of R6-R9 and CR1,2,6,7 deselects the RAM array when the circuitry is powered up. Pulling the circuitry to +12 volts through RP1 brings the voltage in Row 1-4 up quickly when the system is powered on, and the zener diodes CR1,2,6,7 clamp the voltage at approximately +5 volts. This deselection process prevents the RAM array from drawing a large surge of current by putting the RAMs on their low power standby mode.

8-20. Whenever the ROW SELECT DECODERS pull one of the ROWs 1-4 low, the BOARD SELECT GATE, U3GB, produces HRDEN. The READ ENABLE GATE, U3JA, gates LWRT (high) and HRDEN to produce LRD.

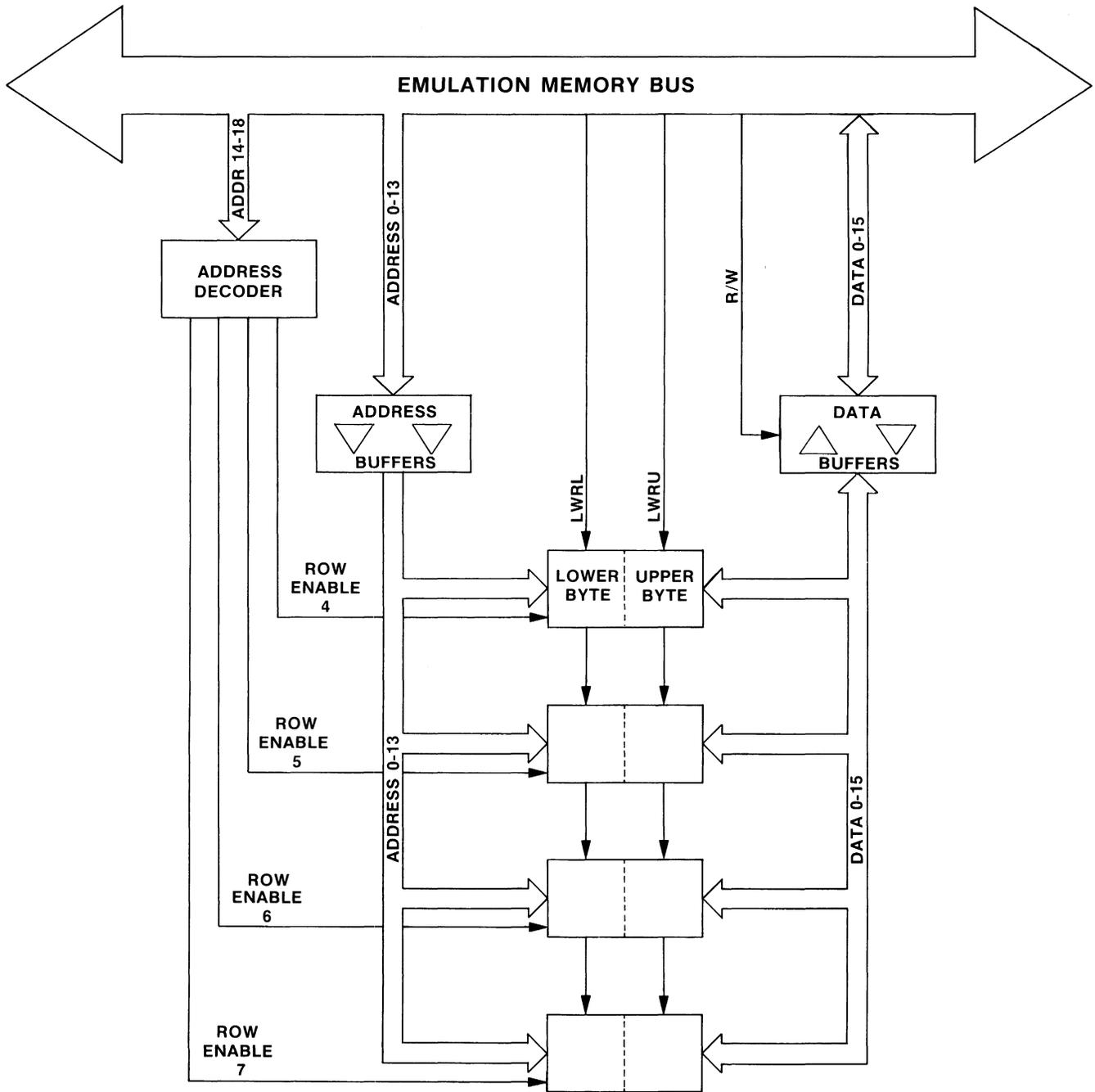


Figure 8-2. Emulation Memory Block Diagram.

8-21. From the Memory Controller on the Emulation Memory Bus the Memory Board receives 19 address lines, 16 data lines and three control lines. The 16 data lines and the lower 14 address lines are buffered through the DATA BUFFERS, U3K-U3N, and the ADDRESS BUFFERS, U2C-U2F, then used as direct inputs to the RAM array. CR11-26 and R12 form a pullup network for the data inputs to the RAMs. This guarantees that the proper voltage levels are applied to the RAM inputs during a write cycle so that correct data is written. LWRT is a directional control for the DATA BUFFERS. LWRL and LWRU enable the lower and/or upper bytes of the RAM array.

8-22. The RAM array consists of an upper byte and a lower byte, which may also be accessed as a single 16-bit word. The Hitachi 6167 16k x 1-bit static Rams feature 70 nsec access time, low power standby mode, low power operation and asynchronous operation.

8-23. Power and ground connections and an 8-bit I.D. signal are the only connections between the memory board and the mainframe. The codes produced by the EMULATION MEMORY BOARD ID CIRCUITRY are listed in Table 8-1.

Table 8-1. Memory Board ID Code.

CODE	# OF ROWS LOADED
01F8	4
01F9	2
01FA	1

## 8-24. MNEMONICS.

8-25. Signals in the 64161A/162A/163A/162A/163A have been assigned mnemonics which describe the active state and function of the signal line. A prefix letter (H, L, P, OR N) indicates the active state of the signal and the remaining letters indicate its function. An H prefix indicates that the function is active in the high state; an L prefix indicates that it is active in the low state. For devices that are edge sensitive the prefix "P" indicates that the function is active on the positive going edge; the prefix "N" indicates that the device is active on the negative going edge.

## TO/FROM MEMORY CONTROLLER

- LED0-15      LOW EMULATOR DATA 0-15. Bidirectional bus between the data transceivers (U3K-U3N) and the emulation memory control board. This bus carries all data information for emulation processor and mainframe computer data transactions with emulation memory.
- LMA0-18      LOW MEMORY ADDRESS 0-18. Input to the address decoders and the address buffers from the emulation memory controller. These are active low lines. LMA14-LMA18 are input to the address decoders, which select the correct row of RAM for a transaction; and LMA0-13 are input to the address buffers, which drive the address lines of the RAM's to select the desired memory location within the row.
- LWRL          LOW WRITE LOWER. Input to U2K from the Memory Controller. When low, indicates that the controller wishes to write data into the lower byte of the selected and addressed row of RAM (D0-7), either for an emulation or mainframe computer write cycle.
- LWRU          LOW WRITE UPPER. Input to U2K from the emulation memory controller. When low, indicates that the controller wishes to write data into the upper byte of RAM (D8-15), either for an emulation or mainframe computer write cycle.
- RD/LWRT      READ/WRITE. Input from the emulation memory control board to the data buffer control gating and the data transceiver control logic. A low on this line enables one-half of transceivers U3K-U3N so that data from the emulation memory controller may be driven to the RAM data inputs during a write cycle. When RD/LWRT is high it allows the transceivers to be oriented for a data read cycle whenever a row of RAM is selected on the board.

## TO/FROM CPU MAINFRAME

LID	LOW ID. Enables Memory Board to output its ID code onto the Low Data Bus to the CPU.
LSEL	LOW SLOT SELECT. When low enables the slot select buffer on the mainframe.
LDO-8	LOW DATA 0-8. When low these lines identify the Memory Board to the Mainframe CPU. 01F8              64161A/162A/163A 01F9              64162A 01FA              64163A
LSTB	LOW STROBE. Active low, during write operation, indicates data bus information is valid; during read operation indicates CPU is not driving the data bus and addressed device can drive data bus.

## INTRABOARD MNEMONICS

A0-13"	ADDRESS 0-13". Output from address buffers U2C-U2F, and input to the RAM array. These lines are used to select the desired memory location in the rows 3 and 4 of RAM for the data transfer (read or write cycle).
A0-13'	ADDRESS 0-13'. Output from address buffers U2C-U2F, and input to the RAM array. These lines are used to select the desired memory location in the rows 1 and 2 of RAM for the data transfer (read or write cycle).
DIN0-15	DATA IN 0-15. Input to the RAM array from data transceivers U3k-3N. This bus is used to provide the desired information for storage in the selected RAM location during a data write cycle.
DOUT0-15	DATA OUT 0-15. Output to the memory bus from the RAM array through data transceivers Ux-Ux. Valid data will be presented on this bus by the selected row of the RAM array whenever a location is addressed, the CS/line is asserted, and the WE/ line of the RAM's is left high.
HRDEN	HIGH READ ENABLE. Output generated by U3GB whenever any one of the four rows of memory are selected by the Row Select Decoders. When HRDEN and RD/LWRT are both high U3JA generates a low signal which enables the data transceivers U3K-U3N.

- LINVMA18      LOW INVERTED MEMORY ADDRESS 18. When this signal is low (LMA18 is high) and LMA17 is high U2J is enabled; when this signal is low and LMA 17 is low U2I is enabled.
- LRD            LOW READ. This signal, generated when HRDEN and RD/WRT are both high enables the data transceivers to be read.
- ROWSEL1-4     ROW SELECT 1-4. Output from the pullup/damping network (CR1-7 and RP1,R6-9), which is driven by the address decoders through the address range jumpers. A low on one of these lines selects the corresponding row of RAM for a data transaction by asserting the RAM's chip select line.

Table 8-2. Logic Symbols

**GENERAL**

All signals flow from left to right, relative to the symbol's orientation with inputs on the left side of the symbol, and outputs on the right side of the symbol (the symbol may be reversed if the dependency notation is a single term.)

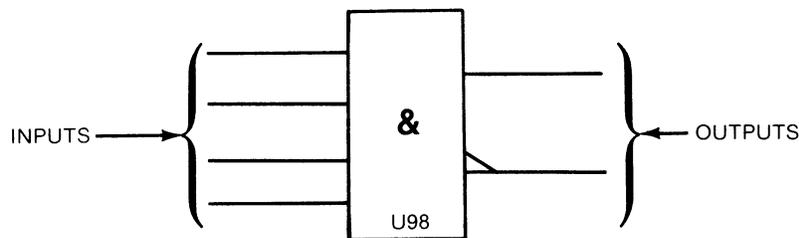
All dependency notation is read from left to right (relative to the symbol's orientation).

An external state is the state of an input or output outside the logic symbol.

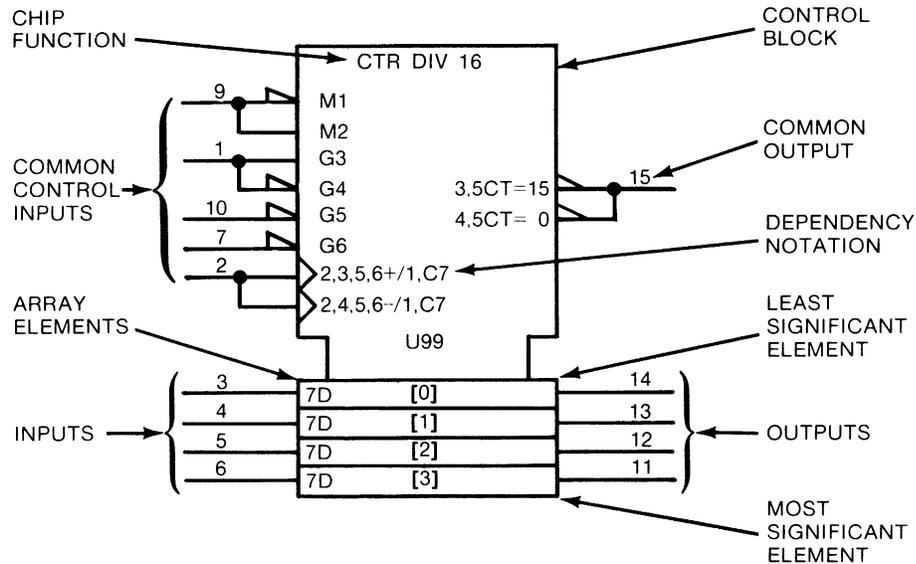
An internal state is the state of an input or output inside the logic symbol. All internal states are True = High.

**SYMBOL CONSTRUCTION**

Some symbols consist of an outline or combination of outlines together with one or more qualifying symbols, and the representation of input and output lines.



Some have a common Control Block with an array of elements:



**CONTROL BLOCK** - All inputs and dependency notation affect the array elements directly. Common outputs are located in the control block. (Control blocks may be above or below the array elements.)

**ARRAY ELEMENTS** -All array elements are controlled by the control block as a function of the dependency notation. Any array element is independent of all other array elements. Unless indicated, the least significant element is always closest to the control block. The array elements are arranged by binary weight. The weights are indicated by powers of 2 (shown in [ ]).

Table 8-2. Logic Symbols (con't)

**INPUTS** - Inputs are located on the left side of the symbol and are affected by their dependency notation.

Common control inputs are located in the control block and control the inputs/outputs to the array elements according to the dependency notation.

Inputs to the array elements are located with the corresponding array element with the least significant element closest to the control block.

**OUTPUTS** - Outputs are located on the right side of the symbol and are effected by their dependency notation.

Common control outputs are located in the control block.

Outputs of array elements are located in the corresponding array element with the least significant bit closest to the control block.

**CHIP FUNCTION** - The labels for chip functions are defined, i.e., CTR - counter, MUX - multiplexer.

### DEPENDENCY NOTATION

Dependency notation is always read from left to right relative to the symbol's orientation.

Dependency notation indicates the relationship between inputs, outputs, or inputs and outputs. Signals having a common relationship will have a common number, i.e., C7 and 7D....C7 controls D. Dependency notation 2,3,5,6+/1,C7 is read as when 2 and 3 and 5 and 6 are true, the input will cause the counter to increment by one count....or (/) the input (C7) will control the loading of the input value (7D) into the D flip-flops.

The following types of dependencies are defined:

- a. AND (G), OR (V), and Negate (N) denote Boolean relationship between inputs and outputs in any combination.
- b. Interconnection (Z) indicates connections inside the symbol.
- c. Control (C) identifies a timing input or a clock input of a sequential element and indicates which inputs are controlled by it.
- d. Set (S) and Reset (R) specify the internal logic states (outputs) of an RS bistable element when the R or S input stands at its internal 1 state.
- e. Enable (EN) identifies an enable input and indicates which inputs and outputs are controlled by it (which outputs can be in their high impedance state).
- f. Mode (M) identifies an input that selects the mode of operation of an element and indicates the inputs and outputs depending on that mode.
- g. Address (A) identifies the address inputs.
- h. Transmission (X) identifies bi-directional inputs and outputs that are connected together when the transmission input is true.

#### DEPENDENCY NOTATION SYMBOLS

A	Address (selects inputs/outputs) (indicates binary range)	N	Negate (compliments state)
C	Control (permits action)	R	Reset Input
EN	Enable (permits action)	S	Set Input
G	AND (permits action)	V	OR (permits action)
M	Mode (selects action)	Z	Interconnection
		X	Transmission

Table 8-2. Logic Symbols (con't)

**OTHER SYMBOLS**

 Analog Signal	 Inversion	 Shift Right (or down)
 AND	 Negation	 Solidus (allows an input or output to have more than one function)
 Bit Grouping	 Nonlogic Input/Output	 Tri-State
 Buffer	 Open Circuit (external resistor)	 Causes notation and symbols to effect inputs/outputs in an AND relationship, and to occur in the order read from left to right.
 Compare	 Open Circuit (external resistor)	 Used for factoring terms using algebraic techniques.
 Dynamic	$\geq 1$ OR	 Information not defined.
$\neq 1$ Exclusive OR	 Passive Pull Down (internal resistor)	 Logic symbol not defined due to complexity.
 Hysteresis	 Passive Pull Up (internal resistor)	
 Interrogation	 Postponed	
 Internal Connection	 Shift Left (or up)	

**LABELS**

BG	Borrow Generate	CO	Carry Output	J	J Input
BI	Borrow Input	CP	Carry Propagate	K	K Input
BO	Borrow Output	CT	Content	P	Operand
BP	Borrow Propagate	D	Data Input	T	Transition
CG	Carry Generate	E	Extension (input or output)	+	Count Up
CI	Carry Input	F	Function	-	Count Down

**MATH FUNCTIONS**

$\Sigma$	Adder	>	Greater Than
ALU	Arithmetic Logic Unit	<	Less Than
COMP	Comparator	CPG	Look Ahead Carry Generator
DIV	Divide By	$\pi$	Multiplier
=	Equal To	P-Q	Subtractor

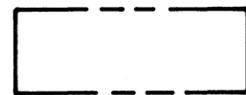
**CHIP FUNCTIONS**

BCD	Binary Coded Decimal	DIR	Directional	RAM	Random Access Memory
BIN	Binary	DMUX	Demultiplexer	RCVR	Line Receiver
BUF	Buffer	FF	Flip-Flop	ROM	Read Only Memory
CTR	Counter	MUX	Multiplexer	SEG	Segment
DEC	Decimal	OCT	Octal	SRG	Shift Register

**DELAY and MULTIVIBRATORS**

	Astable
	Delay
	Nonretriggerable Monostable
NV	Nonvolatile
	Retriggerable Monostable

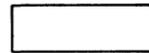
Table 8-3. Schematic Diagram Notes



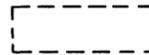
ETCHED CIRCUIT BOARD

(925)

WIRE COLORS ARE GIVEN BY NUMBERS IN PARENTHESES USING THE RESISTOR COLOR CODE



FRONT PANEL MARKING



REAR-PANEL MARKING

[ (925) IS WHT-RED-GRN ]  
 0 - BLACK    5 - GREEN  
 1 - BROWN   6 - BLUE  
 2 - RED      7 - VIOLET  
 3 - ORANGE   8 - GRAY  
 4 - YELLOW   9 - WHITE



MANUAL CONTROL

\* OPTIMUM VALUE SELECTED AT FACTORY, TYPICAL VALUE SHOWN; PART MAY HAVE BEEN OMITTED.



SCREWDRIVER ADJUSTMENT



TP1

ELECTRICAL TEST POINT TP (WITH NUMBER)

UNLESS OTHERWISE INDICATED:  
 RESISTANCE IN OHMS  
 CAPACITANCE IN PICOFARADS  
 INDUCTANCE IN MICROHENRIES



NUMBERED WAVEFORM NUMBER CORRESPONDS TO ELECTRICAL TEST POINT NO.

$\mu P$  = MICROPROCESSOR  
 P/O = PART OF  
 NC = NO CONNECTION  
 CW = CLOCKWISE END OF VARIABLE RESISTOR



LETTERED TEST POINT NO MEASUREMENT AID PROVIDED



COMMON CONNECTIONS. ALL LIKE-DESIGNATED POINTS ARE CONNECTED.



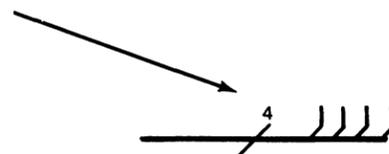
NUMBER ON WHITE BACKGROUND = OFF-PAGE CONNECTION. LARGE NUMBER ADJACENT = SERVICE SHEET NUMBER FOR OFF-PAGE CONNECTION.



CIRCLED LETTER = OFF-PAGE CONNECTION BETWEEN PAGES OF SAME SERVICE SHEET.

————— INDICATES SINGLE SIGNAL LINE

NUMBER OF LINES ON A BUS



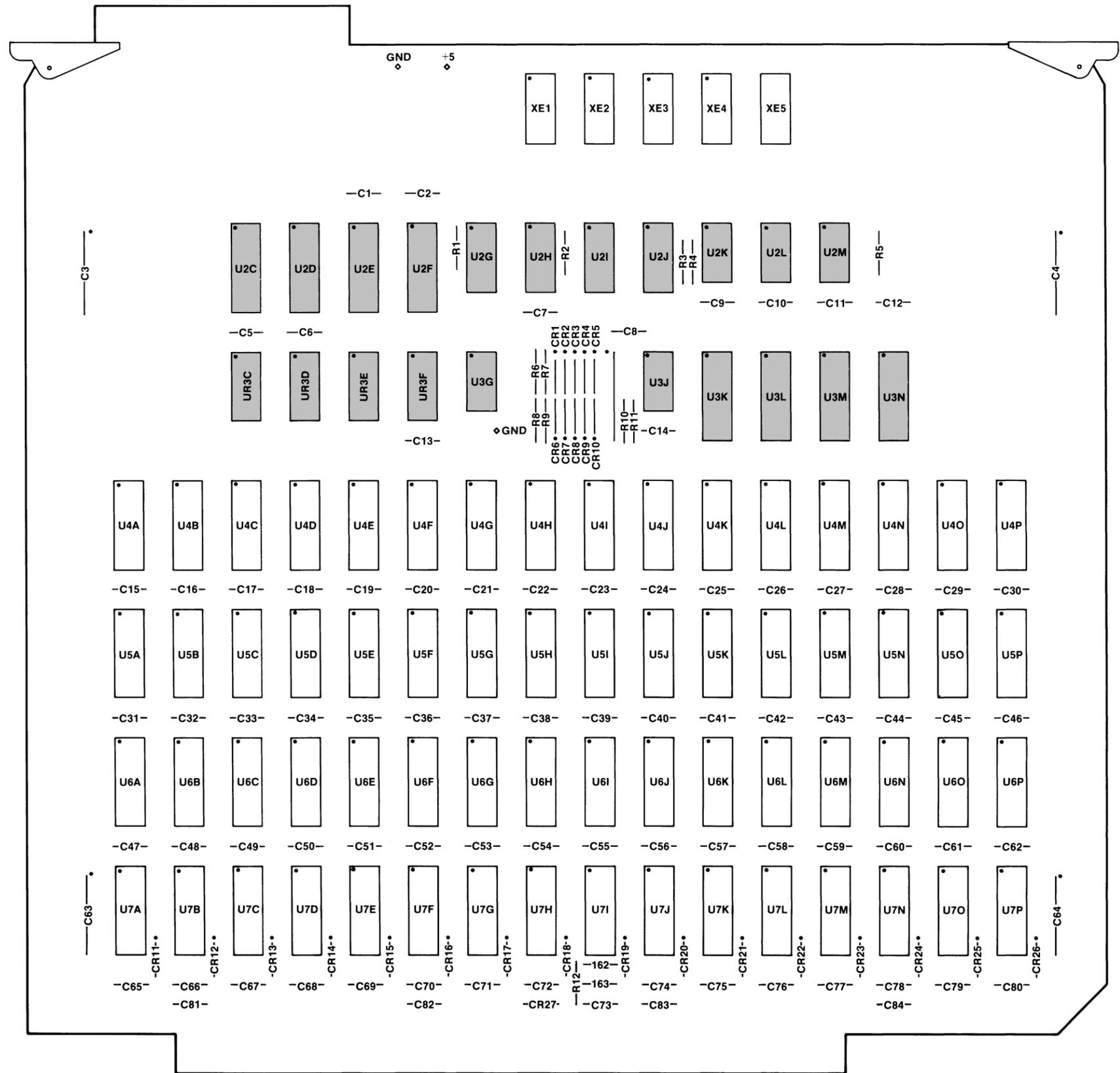
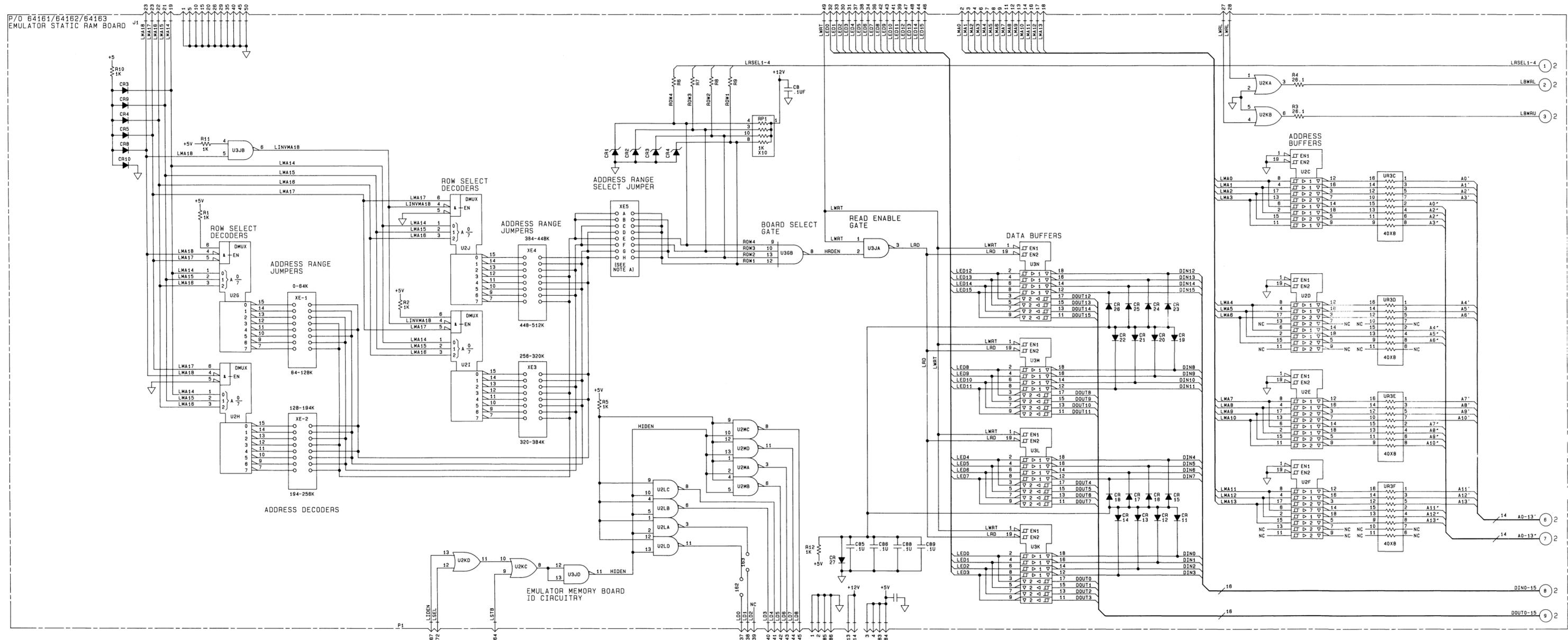


Figure 8-3. Model 64161A/162A/163A Component Locator  
8-12



IC'S ON THIS SCHEMATIC

U2G-U2J	74F138	1820-2861
U2K	74LS03	1820-1198
U2L-U2M	74F32	1820-2690
U3G	74LS20	1820-1204
U3J	74F00	1820-2684
U2C-U2F	74S240	1820-1633
U3J	74F00	1820-2684
U3K-U3N	74S240	1820-1633

PARTS ON THIS SCHEMATIC

R1-R9, R11, RP1, CR1-CR9
--------------------------

- +5V 16 8 U2G-U2J
- +5V 14 7 U2K, U2L-U2M, U3G, U3J
- +5V 14 7 U3J
- +5V 20 10 U2C-U2F, U3K-U3N

NOTE A

A=row 1 48-64K  
 B=row 2 48-64K  
 C=row 3 32-48K  
 D=row 1 16-32K  
 E=row 4 48-64K  
 F=row 3 32-48K  
 G=row 2 16-32K  
 H=row 1 0-16K

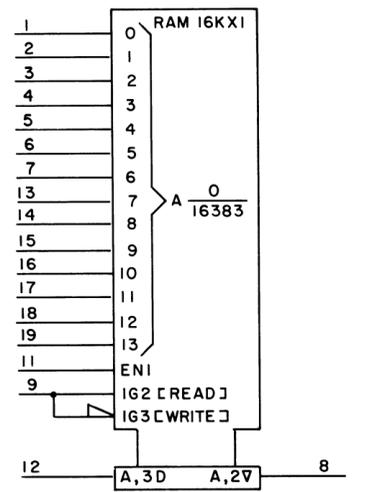


Figure 8-4. Service Sheet 1  
8-13

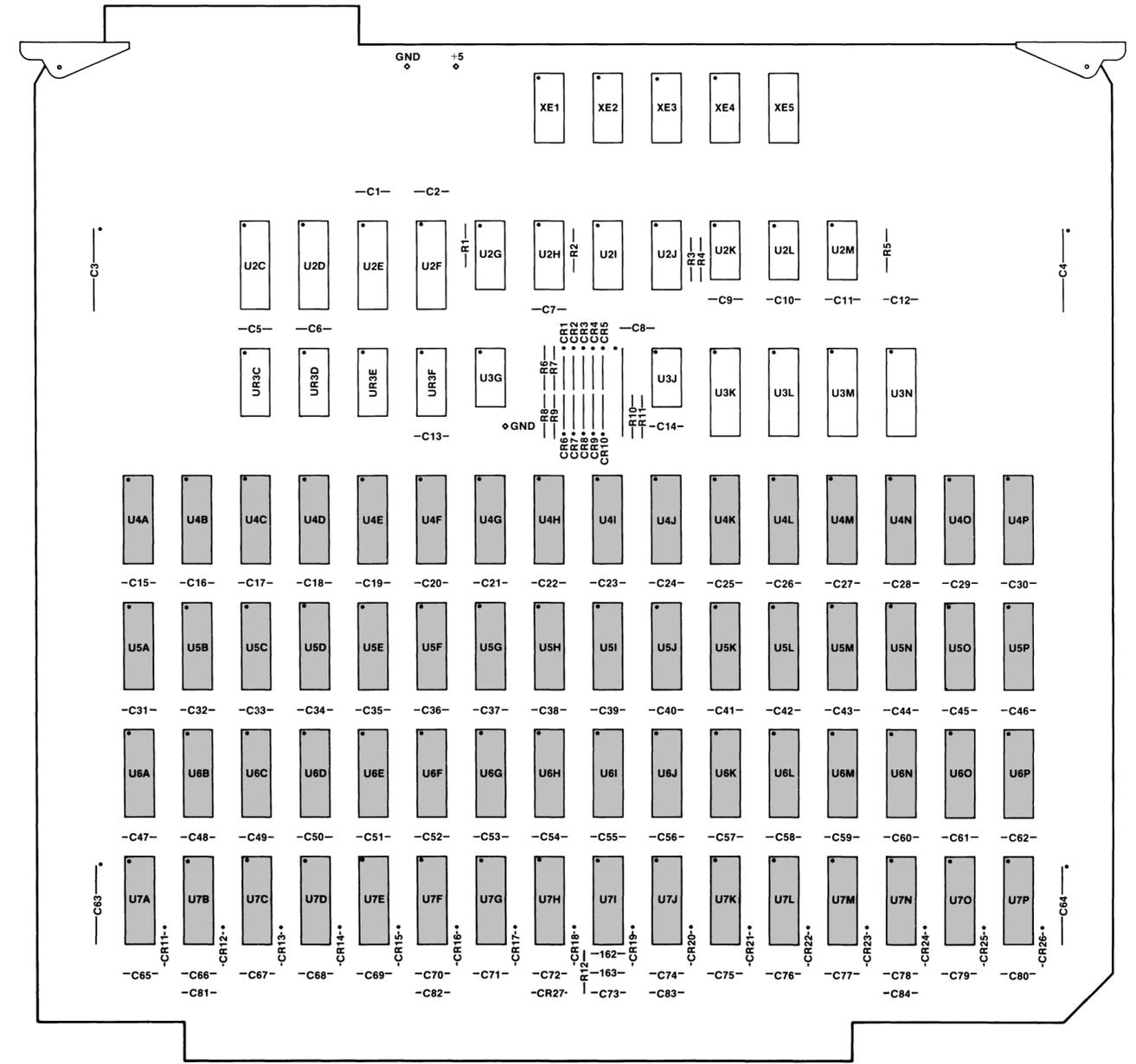


Figure 8-5. Model 64161A/162A/163A Component Locator  
8-14

IC'S ON THIS SCHEMATIC

U4A-U4P	HM6167	1818-1969
U5A-U5P	HM6167	1818-1969
U6A-U6P	HM6167	1818-1969
U7A-U7P	HM6167	1818-1969

PARTS ON THIS SCHEMATIC

CR15-30, CR31-46, CR47-62, CR65-84
------------------------------------

+5V 20 10 U4A-U4P, U5A-U5P, U6A-U6P, U7A-U7P

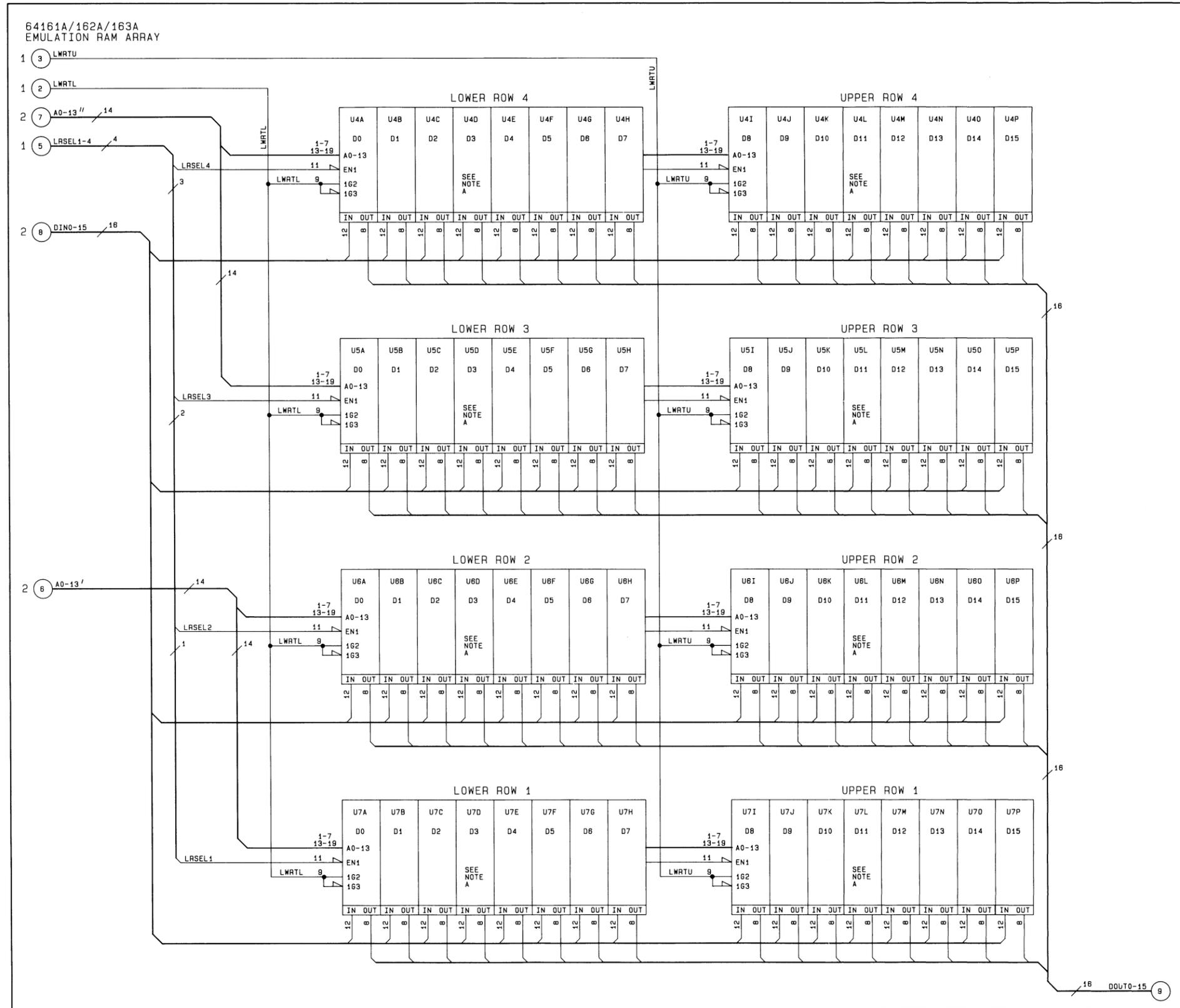
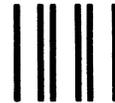


Figure 8-6. Service Sheet 2  
8-15



FOLD HERE



NO POSTAGE  
NECESSARY  
IF MAILED  
IN THE  
UNITED STATES

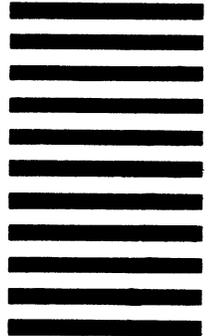
**BUSINESS REPLY CARD**

FIRST CLASS PERMIT NO. 1303 COLORADO SPRINGS, COLORADO

POSTAGE WILL BE PAID BY ADDRESSEE

**HEWLETT-PACKARD**

Logic Product Support Dept.  
Attn: Technical Publications Manager  
Centennial Annex - D2  
P.O. Box 617  
Colorado Springs, Colorado 80901-0617



FOLD HERE

Your cooperation in completing and returning this form  
will be greatly appreciated. Thank you.

# READER COMMENT SHEET

Service Manual, Model 64161A/162A/163A  
Emulation Memory  
64161-90901, January 1984

**Part Number:** \_\_\_\_\_

Your comments are important to us. Please answer this questionnaire and return it to us. Circle the number that best describes your answer in questions 1 through 7. Thank you.

1. The information in this book is complete:

Doesn't cover enough (what more do you need?)      1   2   3   4   5      Covers everything

2. The information in this book is accurate:

Too many errors      1   2   3   4   5      Exactly right

3. The information in this book is easy to find:

I can't find things I need      1   2   3   4   5      I can find info quickly

4. The Index and Table of Contents are useful:

Helpful      1   2   3   4   5      Missing or inadequate

5. What about the "how-to" procedures and examples:

No help      1   2   3   4   5      Very helpful

Too many now      1   2   3   4   5      I'd like more

6. What about the writing style:

Confusing      1   2   3   4   5      Clear

7. What about organization of the book:

Poor order      1   2   3   4   5      Good order

8. What about the size of the book:

too big/small      1   2   3   4   5      Right size

Comments: \_\_\_\_\_  
\_\_\_\_\_  
\_\_\_\_\_

Particular pages with errors? \_\_\_\_\_

Name (optional): \_\_\_\_\_

Job title: \_\_\_\_\_

Company: \_\_\_\_\_

Address: \_\_\_\_\_

**Note:** If mailed outside U.S.A., place card in envelope. Use address shown on other side of this card.

# SALES & SUPPORT OFFICES

Arranged alphabetically by country



## Product Line Sales/Support Key

Key Product Line

- A Analytical
- CM Components
- C Computer Systems Sales only
- CH Computer Systems Hardware Sales and Services
- CS Computer Systems Software Sales and Services
- E Electronic Instruments & Measurement Systems
- M Medical Products
- MP Medical Products Primary SRO
- MS Medical Products Secondary SRO
- P Personal Computation Products
- Sales only for specific product line
- \*\* Support only for specific product line

**IMPORTANT:** These symbols designate general product line capability. They do not insure sales or support availability for all products within a line, at all locations. Contact your local sales office for information regarding locations where HP support is available for specific products.

*HP distributors are printed in italics.*

## HEADQUARTERS OFFICES

If there is no sales office listed for your area, contact one of these headquarters offices.

### NORTH/CENTRAL AFRICA

Hewlett-Packard S.A.  
7, Rue du Bois-du-Lan  
CH-1217 MEYRIN 2, Switzerland  
Tel: (022) 83 12 12  
Telex: 27835 hpse  
Cable: HEWPACKSA Geneve

### ASIA

Hewlett-Packard Asia Ltd.  
6th Floor, Sun Hung Kai Centre  
30 Harbour Rd.  
G.P.O. Box 795  
**HONG KONG**  
Tel: 5-832 3211  
*After Jan. 1, 1984*  
47th Floor, China Resources Bldg.  
26 Harbour Rd., Wanchai

### HONG KONG

Telex: 66678 HEWPA HK  
Cable: HEWPACK HONG KONG

### CANADA

Hewlett-Packard (Canada) Ltd.  
6877 Goreway Drive  
MISSISSAUGA, Ontario L4V 1M8  
Tel: (416) 678-9430  
Telex: 610-492-4246

### EASTERN EUROPE

Hewlett-Packard Ges.m.b.h.  
Lieblgasse 1  
P.O.Box 72  
A-1222 VIENNA, Austria  
Tel: (222) 2365 110  
Telex: 1 3 4425 HEPA A

### NORTHERN EUROPE

Hewlett-Packard S.A.  
Uilenstede 475  
P.O.Box 999  
NL-1180 AZ AMSTELVEEN  
The Netherlands  
Tel: 20 437771

### SOUTH EAST EUROPE

Hewlett-Packard S.A.  
7, Rue du Bois-du-Lan  
CH-1217 MEYRIN 2, Switzerland  
Tel: (022) 83 12 12  
Telex: 27835 hpse  
Cable: HEWPACKSA Geneve

### OTHER EUROPE

Hewlett-Packard S.A.  
P.O. Box  
150, Rte du Nant-D'Avril  
CH-1217 MEYRIN 2, Switzerland  
Tel: (022) 83 8111  
Telex: 22486 hpsa  
Cable: HEWPACKSA Geneve

### MEDITERRANEAN AND MIDDLE EAST

Hewlett-Packard S.A.  
Mediterranean and Middle East  
Operations  
Atrina Centre  
32 Kifissias Ave.  
Paradissos-Amarousion, ATHENS  
Greece  
Tel: 682 88 11  
Telex: 21-6588 HPAT GR  
Cable: HEWPACKSA Athens

### EASTERN USA

Hewlett-Packard Co.  
4 Choke Cherry Road  
ROCKVILLE, MD 20850  
Tel: (301) 258-2000

### MIDWESTERN USA

Hewlett-Packard Co.  
5201 Tollview Drive  
ROLLING MEADOWS, IL 60008  
Tel: (312) 255-9800

### SOUTHERN USA

Hewlett-Packard Co.  
2000 South Park Place  
P.O. Box 105005  
ATLANTA, GA 30348  
Tel: (404) 955-1500

### WESTERN USA

Hewlett-Packard Co.  
3939 Lankershim Blvd.  
P.O. Box 3919  
LOS ANGELES, CA 91604  
Tel: (213) 506-3700

### OTHER INTERNATIONAL AREAS

Hewlett-Packard Co.  
Intercontinental Headquarters  
3495 Deer Creek Road  
PALO ALTO, CA 94304  
Tel: (415) 857-1501  
Telex: 034-8300  
Cable: HEWPACK

### ANGOLA

*Telectra*  
Empresa Técnica de Equipamentos  
R. Barbosa Rodrigues, 41-I DT.  
Caixa Postal 6487  
LUANDA  
Tel: 355 15,355 16  
E,P

### ARGENTINA

Hewlett-Packard Argentina S.A.  
Avenida Santa Fe 2035  
Martinez 1640 BUENOS AIRES  
Tel: 798-5735, 792-1293  
Telex: 17595 BIONAR  
Cable: HEWPACKARG  
A,E,CH,CS,P  
*Biotron S.A.C.I.M. e I.*  
Av Paseo Colon 221, Piso 9  
1399 BUENOS AIRES  
Tel: 30-4846, 30-1851  
Telex: 17595 BIONAR  
M

### AUSTRALIA

#### Adelaide, South Australia Office

Hewlett-Packard Australia Ltd.  
153 Greenhill Road  
PARKSIDE, S.A. 5063  
Tel: 272-5911  
Telex: 82536  
Cable: HEWPAKD Adelaide  
A\*,CH,CM,,E,MS,P

#### Brisbane, Queensland Office

Hewlett-Packard Australia Ltd.  
10 Payne Road  
THE GAP, Queensland 4061  
Tel: 30-4133  
Telex: 42133  
Cable: HEWPAKD Brisbane  
A,CH,CM,E,M,P

#### Canberra, Australia Capital Territory Office

Hewlett-Packard Australia Ltd.  
121 Wollongong Street  
Fyshwick, A.C.T. 2609  
Tel: 80 4244  
Telex: 62650  
Cable: HEWPAKD Canberra  
CH,CM,E,P

#### Melbourne, Victoria Office

Hewlett-Packard Australia Ltd.  
31-41 Joseph Street  
BLACKBURN, Victoria 3130  
Tel: 895-2895  
Telex: 31-024  
Cable: HEWPAKD Melbourne  
A,CH,CM,CS,E,MS,P

#### Perth, Western Australia Office

Hewlett-Packard Australia Ltd.  
261 Stirling Highway  
CLAREMONT, W.A. 6010  
Tel: 383-2188  
Telex: 93859  
Cable: HEWPAKD Perth  
A,CH,CM,E,MS,P

### Sydney, New South Wales Office

Hewlett-Packard Australia Ltd.  
17-23 Talavera Road  
P.O. Box 308  
NORTH RYDE, N.S.W. 2113  
Tel: 887-1611  
Telex: 21561  
Cable: HEWPAKD Sydney  
A,CH,CM,CS,E,MS,P

### AUSTRIA

Hewlett-Packard Ges.m.b.h.  
Grottenhofstrasse 94  
A-8052 GRAZ  
Tel: (0316) 291 5 66  
Telex: 32375  
CH,E  
Hewlett-Packard Ges.m.b.h.  
Lieblgasse 1  
P.O. Box 72  
A-1222 VIENNA  
Tel: (0222) 23 65 11-0  
Telex: 134425 HEPA A  
A,CH,CM,CS,E,MS,P

### BAHRAIN

*Green Salon*  
P.O. Box 557  
Manama  
BAHRAIN  
Tel: 255503-255950  
Telex: 84419  
P

*Wael Pharmacy*  
P.O. Box 648

### BAHRAIN

Telex: 256123  
Telex: 8550 WAEL BN  
E,C,M

### BELGIUM

Hewlett-Packard Belgium S.A./N.V.  
Blvd de la Woluwe, 100  
Woluwedal  
B-1200 BRUSSELS  
Tel: (02) 762-32-00  
Telex: 23-494 paloben bru  
A,CH,CM,CS,E,MP,P

### BRAZIL

Hewlett-Packard do Brasil I.e.C. Ltda.  
Alameda Rio Negro, 750  
Alphaville  
06400 BARUERI SP  
Tel: (011) 421.1311  
Telex: (011) 33872 HPBR-BR  
Cable: HEWPACK Sao Paulo  
A,CH,CM,CS,E,M,P  
Hewlett-Packard do Brasil I.e.C. Ltda.  
Avenida Epitacio Pessoa, 4664  
22471 RIO DE JANEIRO-RJ  
Tel: (021) 286.0237  
Telex: 021-21905 HPBR-BR  
Cable: HEWPACK Rio de Janeiro  
A,CH,CM,E,MS,P\*  
*ANAMED I.C.E.I. Ltda.*  
*Rua Bage, 103*  
04012 SAO PAULO  
Tel: (011) 570-5726  
Telex: 021-21905 HPBR-BR  
M



# SALES & SUPPORT OFFICES

Arranged alphabetically by country

## CANADA

### Alberta

Hewlett-Packard (Canada) Ltd.  
3030 3rd Avenue N.E.  
CALGARY, Alberta T2A 6T7  
Tel: (403) 235-3100  
A,CH,CM,E\*,MS,P\*

Hewlett-Packard (Canada) Ltd.  
11120A-178th Street  
EDMONTON, Alberta T5S 1P2  
Tel: (403) 486-6666  
A,CH,CM,CS,E,MS,P

### British Columbia

Hewlett-Packard (Canada) Ltd.  
10691 Shellbridge Way  
RICHMOND,  
British Columbia V6X 2W7  
Tel: (604) 270-2277  
Telex: 610-922-5059  
A,CH,CM,CS,E\*,MS,P\*

### Manitoba

Hewlett-Packard (Canada) Ltd.  
380-550 Century Street  
WINNIPEG, Manitoba R3H 0Y1  
Tel: (204) 786-6701  
A,CH,CM,E,MS,P\*

### Nova Scotia

Hewlett-Packard (Canada) Ltd.  
P.O. Box 931  
900 Windmill Road  
DARTMOUTH, Nova Scotia B2Y 3Z6  
Tel: (902) 469-7820  
CH,CM,CS,E\*,MS,P\*

### Ontario

Hewlett-Packard (Canada) Ltd.  
3325 N. Service Rd., Unit 6  
BURLINGTON, Ontario P3A 2A3  
Tel: (416) 335-8644  
CS,M\*

Hewlett-Packard (Canada) Ltd.  
552 Newbold Street  
LONDON, Ontario N6E 2S5  
Tel: (519) 686-9181  
A,CH,CM,E\*,MS,P\*

Hewlett-Packard (Canada) Ltd.  
6877 Goreway Drive  
MISSISSAUGA, Ontario L4V 1M8  
Tel: (416) 678-9430  
A,CH,CM,CS,E,MP,P

Hewlett-Packard (Canada) Ltd.  
2670 Queensview Dr.  
OTTAWA, Ontario K2B 8K1  
Tel: (613) 820-6483  
A,CH,CM,CS,E\*,MS,P\*

Hewlett-Packard (Canada) Ltd.  
220 Yorkland Blvd., Unit #11  
WILLOWDALE, Ontario M2J 1R5  
Tel: (416) 499-9333  
CH

### Quebec

Hewlett-Packard (Canada) Ltd.  
17500 South Service Road  
Trans-Canada Highway  
KIRKLAND, Quebec H9J 2M5  
Tel: (514) 697-4232  
A,CH,CM,CS,E,MP,P\*

Hewlett-Packard (Canada) Ltd.  
Les Galeries du Vallon  
2323 Du Versant Nord  
STE. FOY, Quebec G1N 4C2  
Tel: (418) 687-4570  
CH

## CHILE

Jorge Calcagni y Cia. Ltda.  
Av. Italia 634 Santiago  
Casilla 16475  
SANTIAGO 9  
Tel: 222-0222  
Telex: Public Booth 440001  
A,CM,E,M

Olympia (Chile) Ltda.  
Av. Rodrigo de Araya 1045  
Casilla 256-V  
SANTIAGO 21  
Tel: (02) 22 55 044  
Telex: 240-565 OLYMP CL  
Cable: Olympiachile Santiagochile  
CH,CS,P

## CHINA, People's Republic of

China Hewlett-Packard Rep. Office  
P.O. Box 418  
1A Lane 2, Luchang St.  
Beiwei Rd., Xuanwu District  
BEIJING  
Tel: 33-1947, 33-7426  
Telex: 22601 CTSHP CN  
Cable: 1920  
A,CH,CM,CS,E,P

## COLOMBIA

Instrumentación  
H. A. Langebaek & Kier S.A.  
Carrera 4A No. 52A-26  
Apartado Aereo 6287  
BOGOTA 1, D.E.  
Tel: 212-1466  
Telex: 44400 INST CO  
Cable: AARIS Bogota  
CM,E,M

Casa Humboldt Ltda.  
Carrera 14, No. 98-60  
Apartado Aereo 51283  
BOGOTA 1, D.E.  
Tel: 256-1686  
Telex: 45403 CCAL CO.  
A

## COSTA RICA

Cientifica Costarricense S.A.  
Avenida 2, Calle 5  
San Pedro de Montes de Oca  
Apartado 10159  
SAN JOSÉ  
Tel: 24-38-20, 24-08-19  
Telex: 2367 GALGUR CR  
CM,E,M

## CYPRUS

Telerexa Ltd.  
P.O. Box 4809  
14C Stassinou Avenue  
NICOSIA  
Tel: 62698  
Telex: 2894 LEVIDO CY  
E,M,P

## DENMARK

Hewlett-Packard A/S  
Datavej 52  
DK-3460 BIRKEROD  
Tel: (02) 81-66-40  
Telex: 37409 hpas dk  
A,CH,CM,CS,E,MS,P  
Hewlett-Packard A/S  
Rølhedsvej 32  
DK-8240 RISSKOV, Aarhus  
Tel: (06) 17-60-00  
Telex: 37409 hpas dk  
CH,E

## DOMINICAN REPUBLIC

Microprog S.A.  
Juan Tomás Mejía y Cotes No. 60  
Arroyo Hondo  
SANTO DOMINGO  
Tel: 565-6268  
Telex: 4510 ARENTA DR (RCA) P

## ECUADOR

CYEDE Cia. Ltda.  
Avenida Eloy Alfaro 1749  
Casilla 6423 CCI  
QUITO  
Tel: 450-975, 243-052  
Telex: 2548 CYEDE ED  
CM,E,P

Hospitalar S.A.

Robles 625  
Casilla 3590  
QUITO  
Tel: 545-250, 545-122  
Telex: 2485 HOSPTL ED  
Cable: HOSPITALAR-Quito  
M

## EGYPT

International Engineering Associates  
24 Hussein Hegazi Street  
Kasr-el-Aini  
CAIRO  
Tel: 23829, 21641  
Telex: IEA UN 93830  
CH,CS,E,M  
EGYPTOR  
P.O.Box 2558  
42 El Zahraa Street  
CAIRO, Egypt  
Tel: 65 00 21  
Telex: 93 337  
P

## EL SALVADOR

IPESA de El Salvador S.A.  
29 Avenida Norte 1216  
SAN SALVADOR  
Tel: 26-6858, 26-6868  
Telex: 20539 IPESASAL  
A,CH,CM,CS,E,P

## FINLAND

Hewlett-Packard Oy  
Revontulentie 7  
PL 24  
SF-02101 ESPOO 10  
Tel: (90) 4550211  
Telex: 121563 hewpa sf  
CH,CM,CS,P  
Hewlett-Packard Oy  
(Olarinluoma 7)  
PL 24  
02101 ESPOO 10  
Tel: (90) 4521022  
A,E,MS

Hewlett-Packard Oy  
Aatoksenkatv 10-C  
SF-40720-72 JYVASKYLA  
Tel: (941) 216318  
CH

Hewlett-Packard Oy  
Kainvuntie 1-C  
SF-90140-14 OULU  
Tel: (981) 338785  
CH

## FRANCE

Hewlett-Packard France  
Z.I. Mercure B  
Rue Berthelot  
F-13763 Les Milles Cedex  
AIX-EN-PROVENCE  
Tel: 16 (42) 59-41-02  
Telex: 410770F  
A,CH,E,MS,P\*

Hewlett-Packard France  
64, rue Marchand Saillant  
F-61000 ALENCON  
Tel: 16 (33) 29 04 42

Hewlett-Packard France  
Boite Postale 503  
F-25026 BESANCON  
28 rue de la Republique  
F-25000 BESANCON  
Tel: 16 (81) 83-16-22  
CH,M

Hewlett-Packard France  
13, Place Napoleon III  
F-29000 BREST  
Tel: 16 (98) 03-38-35

Hewlett-Packard France  
Chemin des Mouilles  
Boite Postale 162  
F-69130 ECULLY Cedex (Lyon)  
Tel: 16 (78) 833-81-25  
Telex: 310617F  
A,CH,CS,E,MP

Hewlett-Packard France  
Tour Lorraine  
Boulevard de France  
F-91035 EVRY Cedex  
Tel: 16 6 077-96-60  
Telex: 692315F  
E

Hewlett-Packard France  
Parc d'Activite du Bois Briard  
Ave. du Lac  
F-91040 EVRY Cedex  
Tel: 16 6 077-8383  
Telex: 692315F  
E

Hewlett-Packard France  
5, avenue Raymond Chanas  
F-38320 EYBENS (Grenoble)  
Tel: 16 (76) 25-81-41  
Telex: 980124 HP GRENOB EYBE  
CH

Hewlett-Packard France  
Centre d'Affaire Paris-Nord  
Bâtiment Ampère 5 étage  
Rue de la Commune de Paris  
Boite Postale 300  
F-93153 LE BLANC MESNIL  
Tel: 16 (1) 865-44-52  
Telex: 211032F  
CH,CS,E,MS

Hewlett-Packard France  
Parc d'Activités Cadera  
Quartier Jean Mermoz  
Avenue du Président JF Kennedy  
F-33700 MERIGNAC (Bordeaux)  
Tel: 16 (56) 34-00-84  
Telex: 550105F  
CH,E,MS

Hewlett-Packard France  
Immueble "Les 3 B"  
Nouveau Chemin de la Garde  
ZAC de Bois Briard  
F-44085 NANTES Cedex  
Tel: 16 (40) 50-32-22  
CH\*\*

## FRANCE (Cont'd)

Hewlett-Packard France  
125, rue du Faubourg Bannier  
F-45000 **ORLEANS**  
Tel: 16 (38) 68 01 63

Hewlett-Packard France  
Zone Industrielle de Courtaouef  
Avenue des Tropiques  
F-91947 Les Ulis Cedex **ORSAY**  
Tel: (6) 907-78-25  
Telex: 600048F  
A,CH,CM,CS,E,MP,P

Hewlett-Packard France  
Paris Porte-Maillot  
15, Avenue de L'Amiral Bruix  
F-75782 **PARIS CEDEX 16**  
Tel: 16 (1) 502-12-20  
Telex: 613663F  
CH,MS,P

Hewlett-Packard France  
124, Boulevard Tourasse  
F-64000 **PAU**  
Tel: 16 (59) 80 38 02

Hewlett-Packard France  
2 Allée de la Bourgonnette  
F-35100 **RENNES**  
Tel: 16 (99) 51-42-44  
Telex: 740912F  
CH,CM,E,MS,P\*

Hewlett-Packard France  
98 Avenue de Bretagne  
F-76100 **ROUEN**  
Tel: 16 (35) 63-57-66  
CH\*,CS

Hewlett-Packard France  
4 Rue Thomas Mann  
Boite Postale 56  
F-67033 **STRASBOURG** Cedex  
Tel: 16 (88) 28-56-46  
Telex: 890141F  
CH,E,MS,P\*

Hewlett-Packard France  
Le Péripole  
20, Chemin du Pigeonnier de la  
Cépière  
F-31083 **TOULOUSE** Cedex  
Tel: 16 (61) 40-11-12  
Telex: 531639F  
A,CH,CS,E,P\*

Hewlett-Packard France  
9, rue Baudin  
F-26000 **VALENCE**  
Tel: 16 (75) 42 76 16

Hewlett-Packard France  
Carolor  
ZAC de Bois Briand  
F-57640 **VIGY** (Metz)  
Tel: 16 (8) 771 20 22  
CH

Hewlett-Packard France  
Immeuble Péricentre  
F-59658 **VILLENEUVE D'ASCQ** Cedex  
Tel: 16 (20) 91-41-25  
Telex: 160124F  
CH,E,MS,P\*

**GERMAN FEDERAL  
REPUBLIC**  
Hewlett-Packard GmbH  
Geschäftsstelle  
Keithstrasse 2-4  
D-1000 **BERLIN 30**  
Tel: (030) 24-90-86  
Telex: 018 3405 hpbin d  
A,CH,E,MP

Hewlett-Packard GmbH  
Geschäftsstelle  
Herrenberger Strasse 130  
D-7030 **BOBLINGEN**  
Tel: (7031) 14-0  
Telex:  
A,CH,CM,CS,E,MP,P

Hewlett-Packard GmbH  
Geschäftsstelle  
Emanuel-Leutze-Strasse 1  
D-4000 **DUSSELDORF**  
Tel: (0211) 5971-1  
Telex: 085/86 533 hpdd d  
A,CH,CS,E,MS,P

Hewlett-Packard GmbH  
Geschäftsstelle  
Schleefstr. 28a  
D-4600 **DORTMUND-Aplerbeck**  
Tel: (0231) 45001

Hewlett-Packard GmbH  
Vertriebszentrale Frankfurt  
Bernier Strasse 117  
Postfach 560 140  
D-6000 **FRANKFURT 56**  
Tel: (0611) 50-04-1  
Telex: 04 13249 hpffm d  
A,CH,CM,CS,E,MP,P

Hewlett-Packard GmbH  
Geschäftsstelle  
Aussenstelle Bad Homburg  
Louisenstrasse 115  
D-6380 **BAD HOMBURG**  
Tel: (06172) 109-0

Hewlett-Packard GmbH  
Geschäftsstelle  
Kapstadtring 5  
D-2000 **HAMBURG 60**  
Tel: (040) 63804-1  
Telex: 021 63 032 hpvh d  
A,CH,CS,E,MS,P

Hewlett-Packard GmbH  
Geschäftsstelle  
Heidering 37-39  
D-3000 **HANNOVER 61**  
Tel: (0511) 5706-0  
Telex: 092 3259  
A,CH,CM,E,MS,P

Hewlett-Packard GmbH  
Geschäftsstelle  
Rosslauer Weg 2-4  
D-6800 **MANNHEIM**  
Tel: (0621) 70050  
Telex: 0462105  
A,C,E

Hewlett-Packard GmbH  
Geschäftsstelle  
Messerschmittstrasse 7  
D-7910 **NEU ULM**  
Tel: 0731-70241  
Telex: 07 128 16 HP ULM-D  
A,C,E\*

Hewlett-Packard GmbH  
Geschäftsstelle  
Ehhericherstr. 13  
D-8500 **NÜRNBERG 10**  
Tel: (0911) 5205-0  
Telex: 0623 860  
CH,CM,E,MS,P

Hewlett-Packard GmbH  
Geschäftsstelle  
Eschenstrasse 5  
D-8028 **TAUFKIRCHEN**  
Tel: (089) 6117-1  
Telex: 0524985  
A,CH,CM,E,MS,P

## GREAT BRITAIN

See United Kingdom

## GREECE

Kostas Karayannis S.A.  
8 Omirou Street  
**ATHENS 133**  
Tel: 32 30 303, 32 37 371  
Telex: 215962 RKAR GR  
A,CH,CM,CS,E,MP

PLAISIO S.A.  
G. Gerardos  
24 Stournara Street  
**ATHENS**  
Tel: 36-11-160  
Telex: 221871  
P

## GUATEMALA

IPESA  
Avenida Reforma 3-48, Zona 9  
**GUATEMALA CITY**  
Tel: 316627, 314786  
Telex: 4192 TELTRO GU  
A,CH,CM,CS,E,MP

## HONG KONG

Hewlett-Packard Hong Kong, Ltd.  
G.P.O. Box 795  
5th Floor, Sun Hung Kai Centre  
30 Harbour Road  
**HONG KONG**  
Tel: 5-8323211  
Telex: 66678 HEWPA HX  
Cable: HEWPACK HONG KONG  
E,CH,CS,P

CET Ltd.  
1402 Tung Wah Mansion  
199-203 Hennessy Rd.  
Wanchia, **HONG KONG**  
Tel: 5-729376  
Telex: 85148 CET HX  
CM

Schmidt & Co. (Hong Kong) Ltd.  
Wing On Centre, 28th Floor  
Connaught Road, C.  
**HONG KONG**  
Tel: 5-455644  
Telex: 74766 SCHMX HX  
A,M

## ICELAND

Elding Trading Company Inc.  
Hafnarnvoli-Tryggvagotú  
P.O. Box 895  
**IS-REYKJAVIK**  
Tel: 1-58-20, 1-63-03  
M

## INDIA

Computer products are sold through  
Blue Star Ltd. All computer repairs and  
maintenance service is done through  
Computer Maintenance Corp.  
Blue Star Ltd.  
Sabri Complex II Floor  
24 Residency Rd.  
**BANGALORE 560 025**  
Tel: 55660  
Telex: 0845-430  
Cable: BLUESTAR  
A,CH\*,CM,CS\*,E

Blue Star Ltd.  
Band Box House  
Prabhadevi  
**BOMBAY 400 025**  
Tel: 422-3101  
Telex: 011-3751  
Cable: BLUESTAR  
A,M

Blue Star Ltd.  
Sahas  
414/2 Vir Savarkar Marg  
Prabhadevi  
**BOMBAY 400 025**  
Tel: 422-6155  
Telex: 011-4093  
Cable: FROSTBLUE  
A,CH\*,CM,CS\*,E,M

Blue Star Ltd.  
Kalyan, 19 Vishwas Colony  
Alkapuri, **BORODA, 390 005**  
Tel: 65235  
Cable: BLUE STAR  
A

Blue Star Ltd.  
7 Hare Street  
**CALCUTTA 700 001**  
Tel: 12-01-31  
Telex: 021-7655  
Cable: BLUESTAR  
A,M

Blue Star Ltd.  
133 Kodambakkam High Road  
**MADRAS 600 034**  
Tel: 82057  
Telex: 041-379  
Cable: BLUESTAR  
A,M

Blue Star Ltd.  
Bhandari House, 7th/8th Floors  
91 Nehru Place  
**NEW DELHI 110 024**  
Tel: 682547  
Telex: 031-2463  
Cable: BLUESTAR  
A,CH\*,CM,CS\*,E,M

Blue Star Ltd.  
15/16:C Wellesley Rd.  
**PUNE 411 011**  
Tel: 22775  
Cable: BLUE STAR  
A

Blue Star Ltd.  
2-2-47/1108 Bolarum Rd.  
**SECUNDERABAD 500 003**  
Tel: 72057  
Telex: 0155-459  
Cable: BLUEFROST  
A,E

Blue Star Ltd.  
T.C. 7/603 Poornima  
Maruthankuzhi  
**TRIVANDRUM 695 013**  
Tel: 65799  
Telex: 0884-259  
Cable: BLUESTAR  
E

Computer Maintenance Corporation  
Ltd.  
115, Sarojini Devi Road  
**SECUNDERABAD 500 003**  
Tel: 310-184, 345-774  
Telex: 031-2960  
CH\*\*



# SALES & SUPPORT OFFICES

Arranged alphabetically by country

## INDONESIA

*BERCA Indonesia P.T.*  
P.O.Box 496/Jkt.  
Jl. Abdul Muis 62

### JAKARTA

Tel: 21-373009  
Telex: 46748 BERSAL IA  
Cable: BERSAL JAKARTA P

*BERCA Indonesia P.T.*  
P.O.Box 2497/Jkt  
Anlara Bldg., 17th Floor  
Jl. Medan Merdeka Selatan 17  
**JAKARTA-PUSAT**  
Tel: 21-344-181  
Telex: BERSAL IA  
A,CS,E,M

*BERCA Indonesia P.T.*  
P.O. Box 174/SBY.  
Jl. Kutei No. 11

### SURABAYA

Tel: 68172  
Telex: 31146 BERSAL SB  
Cable: BERSAL-SURABAYA  
A\*,E,M,P

## IRAQ

Hewlett-Packard Trading S.A.  
Service Operation  
Al Mansoor City 9B/3/7  
**BAGHDAD**  
Tel: 551-49-73  
Telex: 212-455 HEPAIRAQ IK  
CH,CS

## IRELAND

Hewlett-Packard Ireland Ltd.  
82/83 Lower Leeson Street  
**DUBLIN 2**  
Tel: 0001 608800  
Telex: 30439  
A,CH,CM,CS,E,M,P  
*Cardiac Services Ltd.*  
Kilmore Road  
Artane  
**DUBLIN 5**  
Tel: (01) 351820  
Telex: 30439  
M

## ISRAEL

*Eldan Electronic Instrument Ltd.*  
P.O.Box 1270  
**JERUSALEM 91000**  
16, Ohaliav St.  
**JERUSALEM 94467**  
Tel: 533 221, 553 242  
Telex: 25231 AB/PAKRD IL  
A

*Electronics Engineering Division*  
*Motorola Israel Ltd.*  
16 Kremenetski Street  
P.O. Box 25016  
**TEL-AVIV 67899**  
Tel: 3 88 388  
Telex: 33569 Motil IL  
Cable: BASTEL Tel-Aviv  
CH,CM,CS,E,M,P

## ITALY

Hewlett-Packard Italiana S.p.A  
Traversa 99C  
Via Giulio Petroni, 19  
I-70124 **BARI**  
Tel: (080) 41-07-44  
M

Hewlett-Packard Italiana S.p.A.  
Via Martin Luther King, 38/III  
I-40132 **BOLOGNA**  
Tel: (051) 402394  
Telex: 511630  
CH,E,MS

Hewlett-Packard Italiana S.p.A.  
Via Principe Nicola 43G/C  
I-95126 **CATANIA**  
Tel: (095) 37-10-87  
Telex: 970291  
C,P

Hewlett-Packard Italiana S.p.A.  
Via G. Di Vittorio 9  
I-20063 **CERNUSCO SUL NAVIGLIO**  
(Milano)  
Tel: (02) 923691  
Telex: 334632  
A,CH,CM,CS,E,MP,P  
Hewlett-Packard Italiana S.p.A.  
Via C. Colombo 49  
I-20090 **TREZZANO SUL NAVIGLIO**  
(Milano)  
Tel: (02) 4459041  
Telex: 322116  
C,M

Hewlett-Packard Italiana S.p.A.  
Via Nuova San Rocco a  
Capodimonte, 62/A  
I-80131 **NAPOLI**  
Tel: (081) 74 13544  
Telex: 710698  
A,CH,E

Hewlett-Packard Italiana S.p.A.  
Viale G. Modugno 33  
I-16156 **GENOVA PEGLI**  
Tel: (010) 68-37-07  
Telex: 215238  
E,C

Hewlett-Packard Italiana S.p.A.  
Via Pelizzo 15  
I-35128 **PADOVA**  
Tel: (049) 664888  
Telex: 430315  
A,CH,E,MS

Hewlett-Packard Italiana S.p.A.  
Viale C. Pavese 340  
I-00144 **ROMA EUR**  
Tel: (06) 54831  
Telex: 610514  
A,CH,CM,CS,E,MS,P\*

Hewlett-Packard Italiana S.p.A.  
Via di Casellina 57/C  
I-50018 **SCANDICCI-FIRENZE**  
Tel: (055) 753863  
Hewlett-Packard Italiana S.p.A.  
Corso Svizzera, 185  
I-10144 **TORINO**  
Tel: (011) 74 4044  
Telex: 221079  
CH,E

## JAPAN

Yokogawa-Hewlett-Packard Ltd.  
152-1, Onna  
**ATSUGI**, Kanagawa, 243  
Tel: (0462) 28-0451  
CM,C\*,E

Yokogawa-Helwett-Packard Ltd.  
Meiji-Seimei Bldg. 6F  
3-1 Hon Chiba-Cho  
**CHIBA**, 280  
Tel: 472 25 7701  
E,CH,CS

Yokogawa-Hewlett-Packard Ltd.  
Yasuda-Seimei Hiroshima Bldg.  
6-11, Hon-dori, Naka-ku  
**HIROSHIMA**, 730  
Tel: 82-241-0611

Yokogawa-Hewlett-Packard Ltd.  
Towa Building  
2-3, Kaigan-dori, 2 Chome Chuo-ku  
**KOBE**, 650  
Tel: (078) 392-4791  
C,E

Yokogawa-Hewlett-Packard Ltd.  
Kumagaya Asahi 82 Bldg  
3-4 Tsukuba  
**KUMAGAYA**, Saitama 360  
Tel: (0485) 24-6563  
CH,CM,E

Yokogawa-Hewlett-Packard Ltd.  
Asahi Shinbun Daiichi Seimei Bldg.  
4-7, Hanabata-cho  
**KUMAMOTO**, 860  
Tel: (0963) 54-7311  
CH,E

Yokogawa-Hewlett-Packard Ltd.  
Shin-Kyoto Center Bldg.  
614, Higashi-Shiokoji-cho  
Karasuma-Nishiiru  
Shiokoji-dori, Shimogyo-ku  
**KYOTO**, 600  
Tel: 075-343-0921  
CH,E

Yokogawa-Hewlett-Packard Ltd.  
Mito Mitsui Bldg  
4-73, Sanno-maru, 1 Chome  
**MITO**, Ibaraki 310  
Tel: (0292) 25-7470  
CH,CM,E

Yokogawa-Hewlett-Packard Ltd.  
Sumitomo Seimei 14-9 Bldg.  
Meiki-Minami, 2 Chome  
Nakamura-ku  
**NAGOYA**, 450  
Tel: (052) 571-5171  
CH,CM,CS,E,MS

Yokogawa-Hewlett-Packard Ltd.  
Chuo Bldg.,  
4-20 Nishinakajima, 5 Chome  
Yodogawa-ku  
**OSAKA**, 532  
Tel: (06) 304-6021  
Telex: YHPOSA 523-3624  
A,CH,CM,CS,E,MP,P\*

Yokogawa-Hewlett-Packard Ltd.  
27-15, Yabe, 1 Chome  
**SAGAMIHARA** Kanagawa, 229  
Tel: 0427 59-1311

Yokogawa-Hewlett-Packard Ltd.  
Daiichi Seimei Bldg.  
7-1, Nishi Shinjuku, 2 Chome  
Shinjuku-ku, **TOKYO** 160  
Tel: 03-348-4611  
CH,E

Yokogawa-Hewlett-Packard Ltd.  
29-21 Takaido-Higashi, 3 Chome  
Suginami-ku **TOKYO** 168  
Tel: (03) 331-6111  
Telex: 232-2024 YHPTOK  
A,CH,CM,CS,E,MP,P\*

Yokogawa-Hewlett-Packard Ltd.  
Daiichi Asano Building  
2-8, Odori, 5 Chome  
**UTSUNOMIYA**, Tochigi 320  
Tel: (0286) 25-7155  
CH,CS,E

Yokogawa-Hewlett-Packard Ltd.  
Yasuda Seimei Nishiguchi Bldg.  
30-4 Tsuruya-cho, 3 Chome  
**YOKOHAMA** 221  
Tel: (045) 312-1252  
CH,CM,E

## JORDAN

*Mouasher Cousins Company*  
P.O. Box 1387  
**AMMAN**  
Tel: 24907, 39907  
Telex: 21456 SABCO JO  
CH,E,M,P

## KENYA

*ADCOM Ltd., Inc., Kenya*  
P.O.Box 30070  
**NAIROBI**  
Tel: 331955  
Telex: 22639  
E,M

## KOREA

*Samsung Electronics HP Division*  
12 Fl. Kinam Bldg.  
San 75-31, Yeoksam-Dong  
Kangnam-Ku  
Yeongdong P.O. Box 72  
**SEOUL**  
Tel: 555-7555, 555-5447  
Telex: K27364 SAMSAN  
A,CH,CM,CS,E,M,P

## KUWAIT

*Al-Khaldiya Trading & Contracting*  
P.O. Box 830 Safat  
**KUWAIT**  
Tel: 42-4910, 41-1726  
Telex: 22481 Areeg kt  
CH,E,M  
*Photo & Cine Equipment*  
P.O. Box 270 Safat  
**KUWAIT**  
Tel: 42-2846, 42-3801  
Telex: 22247 Matin kt  
P

## LEBANON

*G.M. Dolmadjian*  
*Achrafieh*  
P.O. Box 165.167  
**BEIRUT**  
Tel: 290293  
MP\*\*  
*Computer Information Systems*  
P.O. Box 11-6274  
**BEIRUT**  
Tel: 89 40 73  
Telex: 22259  
C

## LUXEMBOURG

Hewlett-Packard Belgium S.A./N.V.  
Blvd de la Woluwe, 100  
Woluwedal  
B-1200 **BRUSSELS**  
Tel: (02) 762-32-00  
Telex: 23-494 paloben bru  
A,CH,CM,CS,E,MP,P

## MALAYSIA

Hewlett-Packard Sales (Malaysia)  
Sdn. Bhd.  
1st Floor, Bangunan British  
American  
Jalan Semantan, Damansara Heights  
**KUALA LUMPUR** 23-03  
Tel: 943022  
Telex: MA31011  
A,CH,E,M,P\*



### MAYLAISIA (Cont'd)

*Protel Engineering*  
P.O. Box 1917  
Lot 6624, Section 64  
23/4 Pending Road  
Kuching, **SARAWAK**  
Tel: 36299  
Telex: MA 70904 PROMAL  
Cable: PROTELENG  
A,E,M

### MALTA

*Philip Toledo Ltd.*  
Notabile Rd.  
**MRIEHEL**  
Tel: 447 47, 455 66  
Telex: Media MW 649  
E,P

### MEXICO

Hewlett-Packard Mexicana, S.A.  
de C.V.  
Av. Periferico Sur No. 6501  
Tepepan, Xochimilco  
16020 **MEXICO D.F.**  
Tel: 6-76-46-00  
Telex: 17-74-507 HEWPACK MEX  
A,CH,CS,E,MS,P  
Hewlett-Packard Mexicana, S.A.  
de C.V.  
Ave. Colonia del Valle 409  
Col. del Valle  
Municipio de Garza Garcia  
**MONTERREY**, Nuevo Leon  
Tel: 78 42 41  
Telex: 038 410  
CH  
*ECISA*  
José Vasconcelos No. 218  
Col. Condesa Deleg. Cuauhtémoc  
**MEXICO D.F.** 06140  
Tel: 553-1206  
Telex: 17-72755 ECE ME  
M

### MOROCCO

*Dolbeau*  
81 rue Karatchi  
**CASABLANCA**  
Tel: 3041-82, 3068-38  
Telex: 23051, 22822  
E  
*Gerep*  
2 rue d'Agadir  
Boite Postale 156  
**CASABLANCA**  
Tel: 272093, 272095  
Telex: 23 739  
P

### NETHERLANDS

Hewlett-Packard Nederland B.V.  
Van Heuven Goedhartlaan 121  
NL 1181KK **AMSTELVEEN**  
P.O. Box 667  
NL 1180 AR **AMSTELVEEN**  
Tel: (020) 47-20-21  
Telex: 13 216 HEPA NL  
A,CH,CM,CS,E,MP,P  
Hewlett-Packard Nederland B.V.  
Bongerd 2  
NL 2906VK **CAPELLE A/D IJSSEL**  
P.O. Box 41  
NL 2900AA **CAPELLE A/D IJSSEL**  
Tel: (10) 51-64-44  
Telex: 21261 HEPAC NL  
A,CH,CS,E

Hewlett-Packard Nederland B.V.  
Pastoor Petersstraat 134-136  
NL 5612 LV **EINDHOVEN**  
P.O. Box 2342  
NL 5600 CH **EINDHOVEN**  
Tel: (040) 326911  
Telex: 51484 hepae nl  
A,CH\* \*,E,M

### NEW ZEALAND

Hewlett-Packard (N.Z.) Ltd.  
5 Owens Road  
P.O. Box 26-189  
Epsom, **AUCKLAND**  
Tel: 687-159  
Cable: HEWPACK Auckland  
CH,CM,E,P\*

Hewlett-Packard (N.Z.) Ltd.  
4-12 Cruickshank Street  
Kilbirnie, **WELLINGTON 3**  
P.O. Box 9443  
Courtenay Place, **WELLINGTON 3**  
Tel: 877-199  
Cable: HEWPACK Wellington  
CH,CM,E,P

*Northrop Instruments & Systems Ltd.*  
369 Khyber Pass Road  
P.O. Box 8602  
**AUCKLAND**  
Tel: 794-091  
Telex: 60605  
A,M

*Northrop Instruments & Systems Ltd.*  
110 Mandeville St.  
P.O. Box 8388  
**CHRISTCHURCH**  
Tel: 486-928  
Telex: 4203  
A,M

*Northrop Instruments & Systems Ltd.*  
Sturdee House  
85-87 Ghuznee Street  
P.O. Box 2406  
**WELLINGTON**  
Tel: 850-091  
Telex: NZ 3380  
A,M

### NORTHERN IRELAND

See United Kingdom

### NORWAY

Hewlett-Packard Norge A/S  
Folke Bernadottes vei 50  
P.O. Box 3558  
N-5033 **FYLLINGSDALEN** (Bergen)  
Tel: 0047/5/16 55 40  
Telex: 16621 hpnas n  
CH,CS,E,MS

Hewlett-Packard Norge A/S  
Østerdalen 16-18  
P.O. Box 34  
N-1345 **ØSTERÅS**  
Tel: 0047/2/17 11 80  
Telex: 16621 hpnas n  
A,CH,CM,CS,E,M,P

### OMAN

*Khimjil Ramdas*  
P.O. Box 19

### MUSCAT

Tel: 722225, 745601  
Telex: 3289 BROKER MB MUSCAT  
P

*Suhail & Saud Bahwan*  
P.O. Box 169

### MUSCAT

Tel: 734 201-3  
Telex: 3274 BAHWAN MB

### PAKISTAN

*Mushko & Company Ltd.*  
1-B, Street 43  
Sector F-8/1  
**ISLAMABAD**  
Tel: 51071  
Cable: FEMUS Rawalpindi  
A,E,M

*Mushko & Company Ltd.*  
Oosman Chambers  
Abdullah Haroon Road  
**KARACHI 0302**  
Tel: 524131, 524132  
Telex: 2894 MUSKO PK  
Cable: COOPERATOR Karachi  
A,E,M,P\*

### PANAMA

*Electrónico Balboa, S.A.*  
Calle Samuel Lewis, Ed. Alfa  
Apartado 4929  
**PANAMA 5**  
Tel: 63-6613, 63-6748  
Telex: 3483 ELECTRON PG  
A,C,M,E,M,P

### PERU

*Cía Electro Médica S.A.*  
Los Flamencos 145, San Isidro  
Casilla 1030  
**LIMA 1**  
Tel: 41-4325, 41-3703  
Telex: Pub. Booth 25306  
CM,E,M,P

### PHILIPPINES

*The Online Advanced Systems Corporation*  
Rico House, Amorsolo Cor. Herrera Street  
Legaspi Village, Makati  
P.O. Box 1510  
Metro **MANILA**  
Tel: 85-35-81, 85-34-91, 85-32-21  
Telex: 3274 ONLINE  
A,CH,CS,E,M  
*Electronic Specialists and Proponents Inc.*  
690-B Epifanio de los Santos Avenue  
Cubao, **QUEZON CITY**  
P.O. Box 2649 Manila  
Tel: 98-96-81, 98-96-82, 98-96-83  
Telex: 40018, 42000 ITT GLOBE  
**MACKAY BOOTH**  
P

### PORTUGAL

*Mundinter*  
Intercambio Mundial de Comércio  
S.A.R.L.  
P.O. Box 2761  
Av. Antonio Augusto de Aguiar 138  
**P-LISBON**  
Tel: (19) 53-21-31, 53-21-37  
Telex: 16691 munter p  
M  
*Soquimica*  
Av. da Liberdade, 220-2  
1298 **LISBOA** Codex  
Tel: 56 21 81/2/3  
Telex: 13316 SABASA  
P

*Telectra-Empresa Técnica de Equipamentos Eléctricos S.A.R.L.*  
Rua Rodrigo da Fonseca 103  
P.O. Box 2531  
**P-LISBON 1**  
Tel: (19) 68-60-72  
Telex: 12598  
CH,CS,E,P

### PUERTO RICO

Hewlett-Packard Puerto Rico  
Ave. Muñoz Rivera #101  
Esq. Calle Ochoa  
**HATO REY**, Puerto Rico 00918  
Tel: (809) 754-7800  
Hewlett-Packard Puerto Rico  
Calle 272 Edificio 203  
Urb. Country Club  
**RIO PIEDRAS**, Puerto Rico  
P.O. Box 4407  
**CAROLINA**, Puerto Rico 00628  
Tel: (809) 762-7255  
A,CH,CS

### QATAR

*Compulearbia*  
P.O. Box 2750  
**DOHA**  
Tel: 883555  
Telex: 4806 CHPARB  
P  
*Eastern Technical Services*  
P.O. Box 4747  
**DOHA**  
Tel: 329 993  
Telex: 4156 EASTEC DH  
*Nasser Trading & Contracting*  
P.O. Box 1563  
**DOHA**  
Tel: 22170, 23539  
Telex: 4439 NASSER DH  
M

### SAUDI ARABIA

*Modern Electronic Establishment Hewlett-Packard Division*  
P.O. Box 22015  
Thuobah  
**AL-KHOBAR**  
Tel: 895-1760, 895-1764  
Telex: 671 106 HPMEEK SJ  
Cable: ELECTA AL-KHOBAR  
CH,CS,E,M  
*Modern Electronic Establishment Hewlett-Packard Division*  
P.O. Box 1228  
Redec Plaza, 6th Floor  
**JEDDAH**  
Tel: 644 38 48  
Telex: 4027 12 FARNAS SJ  
Cable: ELECTA JEDDAH  
CH,CS,E,M  
*Modern Electronic Establishment Hewlett-Packard Division*  
P.O. Box 22015  
**RIYADH**  
Tel: 491-97 15, 491-63 87  
Telex: 202049 MEERYD SJ  
CH,CS,E,M  
*Abdul Ghani El Ajou*  
P.O. Box 78  
**RIYADH**  
Tel: 40 41 717  
Telex: 200 932 EL AJOU  
P

### SCOTLAND

See United Kingdom

### SINGAPORE

Hewlett-Packard Singapore (Sales)  
Pte. Ltd.  
#08-00 Inchcape House  
450-2 Alexandra Road  
P.O. Box 58 Alexandra Rd. Post Office  
**SINGAPORE**, 9115  
Tel: 631788  
Telex: HPSGSO RS 34209  
Cable: HEWPACK, Singapore  
A,CH,CS,E,MS,P



# SALES & SUPPORT OFFICES

Arranged alphabetically by country

## SINGAPORE (Cont'd)

*Dynamar International Ltd.*  
Unit 05-11 Block 6  
Kolam Ayer Industrial Estate  
**SINGAPORE 1334**  
Tel: 747-6188  
Telex: RS 26283  
CM

## SOUTH AFRICA

Hewlett-Packard So Africa (Pty.) Ltd.  
P.O. Box 120  
Howard Place **CAPE PROVINCE 7450**  
Pine Park Center, Forest Drive,  
Pinelands  
**CAPE PROVINCE 7405**  
Tel: 53-7954  
Telex: 57-20006  
A,CH,CM,E,MS,P  
Hewlett-Packard So Africa (Pty.) Ltd.  
P.O. Box 37099  
92 Overport Drive  
**DURBAN 4067**  
Tel: 28-4178, 28-4179, 28-4110  
Telex: 6-22954  
CH,CM

Hewlett-Packard So Africa (Pty.) Ltd.  
6 Linton Arcade  
511 Cape Road  
Linton Grange  
**PORT ELIZABETH 6000**  
Tel: 041-302148  
CH

Hewlett-Packard So Africa (Pty.) Ltd.  
P.O. Box 33345  
Glenstantia 0010 **TRANSVAAL**  
1st Floor East  
Constantia Park Ridge Shopping  
Centre  
Constantia Park  
**PRETORIA**  
Tel: 982043  
Telex: 32163  
CH,E

Hewlett-Packard So Africa (Pty.) Ltd.  
Private Bag Wendywood  
**SANDTON 2144**  
Tel: 802-5111, 802-5125  
Telex: 4-20877  
Cable: HEWPACK Johannesburg  
A,CH,CM,CS,E,MS,P

## SPAIN

Hewlett-Packard Española S.A.  
Calle Entenza, 321  
**E-BARCELONA 29**  
Tel: 322.24.51, 321.73.54  
Telex: 52603 hpbee  
A,CH,CS,E,MS,P  
Hewlett-Packard Española S.A.  
Calle San Vicente S/No  
Edificio Albia II  
**E-BILBAO 1**  
Tel: 423.83.06  
A,CH,E,MS

Hewlett-Packard Española S.A.  
Crta. de la Coruña, Km. 16, 400  
Las Rozas  
**E-MADRID**  
Tel: (1) 637.00.11  
CH,CS,M

Hewlett-Packard Española S.A.  
Avda. S. Francisco Javier, S/no  
Planta 10. Edificio Sevilla 2,  
**E-SEVILLA 5**  
Tel: 64.44.54  
Telex: 72933  
A,CS,MS,P

Hewlett-Packard Española S.A.  
Calle Ramon Gordillo, 1 (Entlo.3)  
**E-VALENCIA 10**  
Tel: 361-1354  
CH,P

## SWEDEN

Hewlett-Packard Sverige AB  
Sunnanvagen 14K  
**S-22226 LUND**  
Tel: (046) 13-69-79  
Telex: (854) 17886 (via Spånga  
office)  
CH  
Hewlett-Packard Sverige AB  
Östra Tullgatan 3  
**S-21128 MALMÖ**  
Tel: (040) 70270  
Telex: (854) 17886 (via Spånga  
office)

Hewlett-Packard Sverige AB  
Västra Vintergatan 9  
**S-70344 ÖREBRO**  
Tel: (19) 10-48-80  
Telex: (854) 17886 (via Spånga  
office)  
CH

Hewlett-Packard Sverige AB  
Skalholtsgatan 9, Kista  
Box 19  
**S-16393 SPÅNGA**  
Tel: (08) 750-2000  
Telex: (854) 17886  
Telefax: (08) 7527781  
A,CH,CM,CS,E,MS,P  
Hewlett-Packard Sverige AB  
Frötallsgatan 30  
**S-42132 VÄSTRA-FRÖLUNDA**  
Tel: (031) 49-09-50  
Telex: (854) 17886 (via Spånga  
office)  
CH,E,P

## SWITZERLAND

Hewlett-Packard (Schweiz) AG  
Clarastrasse 12  
**CH-4058 BASEL**  
Tel: (61) 33-59-20  
A

Hewlett-Packard (Schweiz) AG  
7, rue du Bois-du-Lan  
Case Postale 365  
**CH-1217 MEYRIN 2**  
Tel: (0041) 22-83-11-11  
Telex: 27333 HPAG CH  
CH,CM,CS

Hewlett-Packard (Schweiz) AG  
Allmend 2  
**CH-8967 WIDEN**  
Tel: (0041) 57 31 21 11  
Telex: 53933 hpag ch  
Cable: HPAG CH  
A,CH,CM,CS,E,MS,P

## SYRIA

*General Electronic Inc.*  
Nuri Basha Ahnaf Ebn Kays Street  
P.O. Box 5781  
**DAMASCUS**  
Tel: 33-24-87  
Telex: 411 215  
Cable: ELECTROBOR DAMASCUS  
E

*Middle East Electronics*  
P.O. Box 2308  
Abu Rummaneh  
**DAMASCUS**  
Tel: 33 4 5 92  
Telex: 411 304  
M

## TAIWAN

Hewlett-Packard Far East Ltd.  
Kaohsiung Office  
2/F 68-2, Chung Cheng 3rd Road  
**KAOHSIUNG**  
Tel: (07) 241-2318  
CH,CS,E  
Hewlett-Packard Far East Ltd.  
Taiwan Branch  
8th Floor  
337 Fu Hsing North Road  
**TAIPEI**  
Tel: (02) 712-0404  
Telex: 24439 HEWPACK  
Cable: HEWPACK Taipei  
A,CH,CM,CS,E,M,P  
*Ing Lih Trading Co.*  
3rd Floor, 7 Jen-Ai Road, Sec. 2  
**TAIPEI 100**  
Tel: (02) 3948191  
Cable: INGLIH TAIPEI  
A

## THAILAND

*Unimesa*  
30 Patpong Ave., Suriwong  
**BANGKOK 5**  
Tel: 235-5727  
Telex: 84439 Simonco TH  
Cable: UNIMESA Bangkok  
A,CH,CS,E,M  
*Bangkok Business Equipment Ltd.*  
5/5-6 Dejo Road  
**BANGKOK**  
Tel: 234-8670, 234-8671  
Telex: 87669-BEQUIPT TH  
Cable: BUSIQUIPT Bangkok  
P

## TRINIDAD & TOBAGO

*Caribbean Telecoms Ltd.*  
50/A Jerningham Avenue  
P.O. Box 732  
**PORT-OF-SPAIN**  
Tel: 62-44213, 62-44214  
Telex: 235,272 HUGCO WG  
CM,E,M,P

## TUNISIA

*Tunisie Electronique*  
31 Avenue de la Liberte  
**TUNIS**  
Tel: 280-144  
E,P  
*Corema*  
1 ter. Av. de Carthage  
**TUNIS**  
Tel: 253-821  
Telex: 12319 CABAM TN  
M

## TURKEY

*Teknim Company Ltd.*  
Iran Caddesi No. 7  
Kavaklidere, **ANKARA**  
Tel: 275800  
Telex: 42155 TKNM TR  
E

*E.M.A.*  
Medina Eldem Sokak No.41/6  
Yüksel Caddesi  
**ANKARA**  
Tel: 175 622  
Telex: 42 591  
M

## UNITED ARAB EMIRATES

*Emitac Ltd.*  
P.O. Box 2711  
**ABU DHABI**  
Tel: 82 04 19-20  
Cable: EMITAC ABUDHABI  
*Emitac Ltd.*  
P.O. Box 1641  
**SHARJAH**  
Tel: 591 181  
Telex: 68136 Emitac Sh  
CH,CS,E,M,P

## UNITED KINGDOM

**GREAT BRITAIN**  
Hewlett-Packard Ltd.  
Trafalgar House  
Navigation Road  
**ALTRINCHAM**  
Cheshire WA14 1NU  
Tel: 061 928 6422  
Telex: 668068  
A,CH,CS,E,M,MS,P  
Hewlett-Packard Ltd.  
Elstree House, Elstree Way  
**BOREHAMWOOD**, Herts WD6 1SG  
Tel: 01 207 5000  
Telex: 8952716  
E,CH,CS,P

Hewlett-Packard Ltd.  
Oakfield House, Oakfield Grove  
Clifton **BRISTOL**, Avon BS8 2BN  
Tel: 0272 736806  
Telex: 444302  
CH,CS,E,P

Hewlett-Packard Ltd.  
Bridewell House  
Bridewell Place  
**LONDON EC4V 6BS**  
Tel: 01 583 6565  
Telex: 298163  
CH,CS,P

Hewlett-Packard Ltd.  
Fourier House  
257-263 High Street  
**LONDON COLNEY**  
Herts. AL2 1HA, St. Albans  
Tel: 0727 24400  
Telex: 1-8952716  
CH,CS

Hewlett-Packard Ltd.  
Pontefract Road  
**NORMANTON**, West Yorkshire WF6 1RN  
Tel: 0924 895566  
Telex: 557355  
CH,CS,P

Hewlett-Packard Ltd.  
The Quadrangle  
106-118 Station Road  
**REDHILL**, Surrey RH1 1PS  
Tel: 0737 68655  
Telex: 947234  
CH,CS,E,P

**GREAT BRITAIN (Cont'd)**

Hewlett-Packard Ltd.  
Avon House  
435 Stratford Road  
Shirley, SOLIHULL, West Midlands  
B90 4BL  
Tel: 021 745 8800  
Telex: 339105  
CH,CS,E,P

Hewlett-Packard Ltd.  
West End House  
41 High Street, West End

**SOUTHAMPTON**  
Hampshire SO3 3DQ  
Tel: 04218 6767  
Telex: 477138  
CH,CS,P

Hewlett-Packard Ltd.  
Eskdale Rd.  
Winnersh, **WOKINGHAM**  
Berkshire RG11 5DZ  
Tel: 0734 696622  
Telex: 848884  
E

Hewlett-Packard Ltd.  
King Street Lane  
Winnersh, **WOKINGHAM**  
Berkshire RG11 5AR  
Tel: 0734 784774  
Telex: 847178  
A,CH,CS,E,M,MP,P

Hewlett-Packard Ltd.  
Nine Mile Ride  
Easthampstead, **WOKINGHAM**  
Berkshire, 3RG11 3LL  
Tel: 0344 773100  
Telex: 848805  
CH,CS,E,P

**IRELAND****NORTHERN IRELAND**

Hewlett-Packard Ltd.  
Cardiac Services Building  
95A Finaghy Road South  
**BELFAST BT10 0BY**  
Tel: 0232 625-566  
Telex: 747626  
CH,CS

**SCOTLAND**

Hewlett-Packard Ltd.  
**SOUTH QUEENSFERRY**  
West Lothian, EH30 9TG  
Tel: 031 331 1188  
Telex: 72682  
CH,CM,CS,E,M,P

**UNITED STATES****Alabama**

Hewlett-Packard Co.  
700 Century Park South, Suite 128  
**BIRMINGHAM, AL 35226**  
Tel: (205) 822-6802  
A,CH,M

Hewlett-Packard Co.  
420 Wynn Drive  
**HUNTSVILLE, AL 35805**  
P.O. Box 7700  
**HUNTSVILLE, AL 35807**  
Tel: (205) 830-2000  
CH,CM,CS,E,M\*

**Arizona**

Hewlett-Packard Co.  
8080 Pointe Parkway West  
**PHOENIX, AZ 85044**  
Tel: (602) 273-8000  
A,CH,CM,CS,E,MS

Hewlett-Packard Co.  
2424 East Aragon Road  
**TUCSON, AZ 85706**  
Tel: (602) 889-4631  
CH,E,MS\*\*

**California**

Hewlett-Packard Co.  
99 South Hill Dr.  
**BRISBANE, CA 94005**  
Tel: (415) 330-2500  
CH,CS

Hewlett-Packard Co.  
P.O. Box 7830 (93747)  
5060 E. Clinton Avenue, Suite 102  
**FRESNO, CA 93727**  
Tel: (209) 252-9652  
CH,CS,MS

Hewlett-Packard Co.  
P.O. Box 4230  
1430 East Orangethorpe  
**FULLERTON, CA 92631**  
Tel: (714) 870-1000  
CH,CM,CS,E,MP

Hewlett-Packard Co.  
320 S. Kellogg, Suite B  
**GOLETA, CA 93117**  
Tel: (805) 967-3405  
CH

Hewlett-Packard Co.  
5400 W. Rosecrans Boulevard  
**LAWDALE, CA 90260**  
P.O. Box 92105  
**LOS ANGELES, CA 90009**  
Tel: (213) 970-7500  
Telex: 910-325-6608  
CH,CM,CS,MP

Hewlett-Packard Co.  
3155 Porter Oaks Drive  
**PALO ALTO, CA 94304**  
Tel: (415) 857-8000  
CH,CS,E

Hewlett-Packard Co.  
4244 So. Market Court, Suite A  
P.O. Box 15976  
**SACRAMENTO, CA 95852**  
Tel: (916) 929-7222  
A\*,CH,CS,E,MS

Hewlett-Packard Co.  
9606 Aero Drive  
P.O. Box 23333  
**SAN DIEGO, CA 92139**  
Tel: (619) 279-3200  
CH,CM,CS,E,MP

Hewlett-Packard Co.  
2305 Camino Ramon "C"  
**SAN RAMON, CA 94583**  
Tel: (415) 838-5900  
CH,CS

Hewlett-Packard Co.  
3005 Scott Boulevard  
**SANTA CLARA, CA 95050**  
Tel: (408) 988-7000  
Telex: 910-338-0586  
A,CH,CM,CS,E,MP

Hewlett-Packard Co.  
5703 Corsa Avenue  
**WESTLAKE VILLAGE, CA 91362**  
Tel: (213) 706-6800  
E\*,CH\*,CS\*

**Colorado**

Hewlett-Packard Co.  
24 Inverness Place, East  
**ENGLEWOOD, CO 80112**  
Tel: (303) 649-5000  
A,CH,CM,CS,E,MS

**Connecticut**

Hewlett-Packard Co.  
47 Barnes Industrial Road South  
P.O. Box 5007  
**WALLINGFORD, CT 06492**  
Tel: (203) 265-7801  
A,CH,CM,CS,E,MS

**Florida**

Hewlett-Packard Co.  
2901 N.W. 62nd Street  
P.O. Box 24210  
**FORT LAUDERDALE, FL 33307**  
Tel: (305) 973-2600  
CH,CS,E,MP

Hewlett-Packard Co.  
6177 Lake Ellenor Drive  
P.O. Box 13910  
**ORLANDO, FL 32859**  
Tel: (305) 859-2900  
A,CH,CM,CS,E,MS

Hewlett-Packard Co.  
5750B N. Hoover Blvd., Suite 123  
P.O. Box 15200  
**TAMPA, FL 33614**  
Tel: (813) 884-3282  
A\*,CH,CM,CS,E\*,M\*

**Georgia**

Hewlett-Packard Co.  
2000 South Park Place  
P.O. Box 105005  
**ATLANTA, GA 30348**  
Tel: (404) 955-1500  
Telex: 810-766-4890  
A,CH,CM,CS,E,MP

**Hawaii**

Hewlett-Packard Co.  
Kawaiahao Plaza, Suite 190  
567 South King Street  
**HONOLULU, HI 96813**  
Tel: (808) 526-1555  
A,CH,E,MS

**Illinois**

Hewlett-Packard Co.  
304 Eldorado Road  
P.O. Box 1607  
**BLOOMINGTON, IL 61701**  
Tel: (309) 662-9411  
CH,MS\*\*

Hewlett-Packard Co.  
1100 31st Street, Suite 100  
**DOWNERS GROVE, IL 60515**  
Tel: (312) 960-5760  
CH,CS

Hewlett-Packard Co.  
5201 Tollview Drive  
**ROLLING MEADOWS, IL 60008**  
Tel: (312) 255-9800  
Telex: 910-687-1066  
A,CH,CM,CS,E,MP

**Indiana**

Hewlett-Packard Co.  
7301 No. Shadeland Avenue  
P.O. Box 50807  
**INDIANAPOLIS, IN 46250**  
Tel: (317) 842-1000  
A,CH,CM,CS,E,MS

**Iowa**

Hewlett-Packard Co.  
1776 22nd Street, Suite 1  
**WEST DES MOINES, IA 50265**  
Tel: (515) 224-1435  
CH,MS\*\*

**Kansas**

Hewlett-Packard Co.  
7804 East Funston Road, #203  
**WICHITA, KS 67207**  
Tel: (316) 684-8491  
CH

**Kentucky**

Hewlett-Packard Co.  
10300 Linn Station Road, #100  
**LOUISVILLE, KY 40223**  
Tel: (502) 426-0100  
A,CH,CS,MS

**Louisiana**

Hewlett-Packard Co.  
160 James Drive East  
**ST. ROSE, LA 70087**  
P.O. Box 1449  
**KENNER, LA 70063**  
Tel: (504) 467-4100  
A,CH,CS,E,MS

**Maryland**

Hewlett-Packard Co.  
3701 Koppers Street  
**BALTIMORE, MD 21227**  
Tel: (301) 644-5800  
Telex: 710-862-1943  
A,CH,CM,CS,E,MS

Hewlett-Packard Co.  
2 Choke Cherry Road  
**ROCKVILLE, MD 20850**  
Tel: (301) 948-6370  
A,CH,CM,CS,E,MP

**Massachusetts**

Hewlett-Packard Co.  
1775 Minuteman Road  
**ANDOVER, MA 01810**  
Tel: (617) 682-1500  
A,C,CH,CS,CM,E,MP,P\*  
Hewlett-Packard Co.  
32 Hartwell Avenue  
**LEXINGTON, MA 02173**  
Tel: (617) 861-8960  
CH,CS,E

**Michigan**

Hewlett-Packard Co.  
4326 Cascade Road S.E.  
**GRAND RAPIDS, MI 49506**  
Tel: (616) 957-1970  
CH,CS,MS

Hewlett-Packard Co.  
1771 W. Big Beaver Road  
**TROY, MI 48084**  
Tel: (313) 643-6474  
CH,CS

**Minnesota**

Hewlett-Packard Co.  
2025 W. Larpenteur Ave.  
**ST. PAUL, MN 55113**  
Tel: (612) 644-1100  
A,CH,CM,CS,E,MP

**Missouri**

Hewlett-Packard Co.  
11131 Colorado Avenue  
**KANSAS CITY, MO 64137**  
Tel: (816) 763-8000  
A,CH,CM,CS,E,MS

Hewlett-Packard Co.  
13001 Hollenberg Drive  
**BRIDGETON, MO 63044**  
Tel: (314) 344-5100  
A,CH,CS,E,MP



# SALES & SUPPORT OFFICES

Arranged alphabetically by country

## UNITED STATES (Cont'd)

### Nebraska

Hewlett-Packard  
10824 Old Mill Rd., Suite 3  
OMAHA, NE 68154  
Tel: (402) 334-1813  
CM,MS

### New Jersey

Hewlett-Packard Co.  
120 W. Century Road  
PARAMUS, NJ 07652  
Tel: (201) 265-5000  
A,CH,CM,CS,E,MP

Hewlett-Packard Co.  
60 New England Av. West  
PISCATAWAY, NJ 08854  
Tel: (201) 981-1199  
A,CH,CM,CS,E

### New Mexico

Hewlett-Packard Co.  
11300 Lomas Blvd., N.E.  
P.O. Box 11634  
ALBUQUERQUE, NM 87112  
Tel: (505) 292-1330  
CH,CS,E,MS

### New York

Hewlett-Packard Co.  
5 Computer Drive South  
ALBANY, NY 12205  
Tel: (518) 458-1550  
A,CH,E,MS

Hewlett-Packard Co.  
9600 Main Street  
P.O. Box AC  
CLARENCE, NY 14031  
Tel: (716) 759-8621  
CH

Hewlett-Packard Co.  
200 Cross Keys Office Park  
FAIRPORT, NY 14450  
Tel: (716) 223-9950  
CH,CM,CS,E,MS

Hewlett-Packard Co.  
7641 Henry Clay Blvd.  
LIVERPOOL, NY 13088  
Tel: (315) 451-1820  
A,CH,CM,E,MS

Hewlett-Packard Co.  
No. 1 Pennsylvania Plaza  
55th Floor  
34th Street & 8th Avenue  
MANHATTAN NY 10119  
Tel: (212) 971-0800  
CH,CS,E\*,M\*

Hewlett-Packard Co.  
250 Westchester Avenue  
WHITE PLAINS, NY 10604  
Tel: (914) 684-6100  
CM,CH,CS,E

Hewlett-Packard Co.  
3 Crossways Park West  
WOODBURY, NY 11797  
Tel: (516) 921-0300  
A,CH,CM,CS,E,MS

### North Carolina

Hewlett-Packard Co.  
5605 Roanne Way  
P.O. Box 26500  
GREENSBORO, NC 27420  
Tel: (919) 852-1800  
A,CH,CM,CS,E,MS

### Ohio

Hewlett-Packard Co.  
9920 Carver Road  
CINCINNATI, OH 45242  
Tel: (513) 891-9870  
CH,CS,MS

Hewlett-Packard Co.  
16500 Sprague Road  
CLEVELAND, OH 44130  
Tel: (216) 243-7300  
A,CH,CM,CS,E,MS

Hewlett-Packard Co.  
962 Crupper Ave.  
COLUMBUS, OH 43229  
Tel: (614) 436-1041  
Eff: Nov. 25, 1983  
675 Brookside Blvd.  
WESTERVILLE, OH 43081  
CH,CM,CS,E\*

Hewlett-Packard Co.  
330 Progress Rd.  
DAYTON, OH 45449  
Tel: (513) 859-8202  
A,CH,CM,E\*,MS

### Oklahoma

Hewlett-Packard Co.  
304 N. Meridian, Suite A  
P.O. Box 75609  
OKLAHOMA CITY, OK 73147  
Tel: (405) 946-9499  
A\*,CH,E\*,MS

Hewlett-Packard Co.  
3840 S. 103rd E. Avenue, #100  
P.O. Box 35747  
TULSA, OK 74153  
Tel: (918) 665-3300  
A\*\*,CH,CS,M\*

### Oregon

Hewlett-Packard Co.  
9255 S. W. Pioneer Court  
P.O. Box 328  
WILSONVILLE, OR 97070  
Tel: (503) 682-8000  
A,CH,CS,E\*,MS

### Pennsylvania

Hewlett-Packard Co.  
111 Zeta Drive  
PITTSBURGH, PA 15238  
Tel: (412) 782-0400  
A,CH,CS,E,MP

Hewlett-Packard Co.  
2750 Monroe Boulevard  
P.O. Box 713  
VALLEY FORGE, PA 19482  
Tel: (215) 666-9000  
A,CH,CM,E,M

### South Carolina

Hewlett-Packard Co.  
Brookside Park, Suite 122  
1 Harbison Way  
P.O. Box 21708  
COLUMBIA, SC 29221  
Tel: (803) 732-0400  
CH,E,MS

Hewlett-Packard Co.  
Koger Executive Center  
Chesterfield Bldg., Suite 124  
GREENVILLE, SC 29615  
Tel: (803) 297-4120

### Tennessee

Hewlett-Packard Co.  
224 Peters Road, Suite 102  
P.O. Box 22490  
KNOXVILLE, TN 37922  
Tel: (615) 691-2371  
A\*,CH,MS

Hewlett-Packard Co.  
3070 Directors Row  
MEMPHIS, TN 38131  
Tel: (901) 346-8370  
A,CH,MS

### Texas

Hewlett-Packard Co.  
4171 North Mesa  
Suite C-110  
EL PASO, TX 79902  
Tel: (915) 533-3555  
CH,E\*,MS\*\*

Hewlett-Packard Co.  
10535 Harwin Drive  
P.O. Box 42816  
HOUSTON, TX 77042  
Tel: (713) 776-6400  
A,CH,CM,CS,E,MP

Hewlett-Packard Co.  
930 E. Campbell Rd.  
P.O. Box 1270  
RICHARDSON, TX 75080  
Tel: (214) 231-6101  
A,CH,CM,CS,E,MP

Hewlett-Packard Co.  
1020 Central Parkway South  
P.O. Box 32993  
SAN ANTONIO, TX 78216  
Tel: (512) 494-9336  
CH,CS,E,MS

### Utah

Hewlett-Packard Co.  
3530 W. 2100 South  
SALT LAKE CITY, UT 84119  
Tel: (801) 974-1700  
A,CH,CS,E,MS

### Virginia

Hewlett-Packard Co.  
4305 Cox Road  
GLEN ALLEN, VA 23060  
P.O. Box 9669  
RICHMOND, VA 23228  
Tel: (804) 747-7750  
A,CH,CS,E,MS

### Washington

Hewlett-Packard Co.  
15815 S.E. 37th Street  
BELLEVUE, WA 98006  
Tel: (206) 643-4000  
A,CH,CM,CS,E,MP

Hewlett-Packard Co.  
Suite A  
708 North Argonne Road  
SPOKANE, WA 99212  
Tel: (509) 922-7000  
CH,CS

### West Virginia

Hewlett-Packard Co.  
4604 MacCorkle Ave.  
P.O. Box 4297  
CHARLESTON, WV 25304  
Tel: (304) 925-0492  
A,MS

### Wisconsin

Hewlett-Packard Co.  
150 S. Sunny Slope Road  
BROOKFIELD, WI 53005  
Tel: (414) 784-8800  
A,CH,CS,E\*,MP

## URUGUAY

*Pablo Ferrando S.A.C. e I.  
Avenida Italia 2877  
Casilla de Correo 370  
MONTEVIDEO  
Tel: 80-2586  
Telex: Public Booth 901  
A,CM,E,M*

## VENEZUELA

Hewlett-Packard de Venezuela C.A.  
3RA Transversal Los Ruices Norte  
Edificio Segre 1, 2 & 3  
Apartado 50933  
CARACAS 1071  
Tel: 239-4133  
Telex: 251046 HEWPACK  
A,CH,CS,E,MS,P  
Hewlett-Packard de Venezuela C.A.  
Calle-72-Entre 3H y 3Y, No. 3H-40  
Edificio Ada-Evelyn, Local B  
Apartado 2646  
4001, MARACAIBO, Estado Zulia  
Tel: (061) 80.304  
C,E\*

Hewlett-Packard de Venezuela C.A.  
Calle Vargas Rondon  
Edificio Seguros Carabobo, Piso 10  
VALENCIA  
Tel: (041) 51 385  
CH,CS,P

*Bioelectronica Medica C.A.  
Calle Buen Pastor  
Edif. Cota Mil-Piso 2 y Semi Sotano 1  
Boleita Norte  
Apartado 50710 CARACAS 1050A  
Tel: 239 84 41  
Telex: 26518*

## ZIMBABWE

*Field Technical Sales  
45 Kelvin Road, North  
P.B. 3458  
SALISBURY  
Tel: 705 231  
Telex: 4-122 RH  
C,E,M,P*

July 1983 5952-6900

Indicates main office

*HP distributors are printed in italics.*



