

OPERATING AND SERVICE MANUAL

12653A

LINE PRINTER INTERFACE KIT
(FOR 2114, 2115, AND 2116 COMPUTERS)

Card Assembly
12653-60002, Rev. 1024

Note

This manual should be retained with Volume Three
of the Hewlett-Packard computer documentation.

TABLE OF CONTENTS

Section	Page	Section	Page
I	GENERAL INFORMATION		
1-1.	Introduction	3-8.	Detailed Circuit Description
1-3.	General Description	3-10.	Turn-On and Preset Circuit
1-8.	Identification	3-12.	Select Code Detector Circuit
1-10.	Specifications	3-14.	Flag Circuit
		3-17.	Control Circuit
		3-19.	Interrupt Circuit
II	INSTALLATION AND PROGRAMMING	3-23.	Skip Flag Circuit
2-1.	Introduction	3-25.	Output Register
2-3.	Unpacking and Inspection	3-27.	Input Register
2-5.	Installation		
2-6.	Jumper Wires	IV	MAINTENANCE
2-8.	Card Installation	4-1.	Introduction
2-10.	Reshipment	4-3.	Preventive Maintenance
2-14.	Programming	4-5.	Diagnostics
2-16.	Line Printer Characteristics	4-7.	Troubleshooting
2-20.	Status Signals	4-9.	Cable Assembly Connector Functions
2-22.	Timing		
2-28.	Assembly Language Program	V	REPLACEABLE PARTS
		5-1.	Introduction
III	THEORY OF OPERATION	5-4.	Ordering Information
3-1.	Introduction		
3-3.	Functional Description		

LIST OF ILLUSTRATIONS

Figure	Title	Page	Figure	Title	Page
1-1.	12653A Line Printer Interface Kit	1-1	3-2.	Operational Flow Diagram	3-3
2-1.	Interface Signal Timing Diagram	2-3	4-1.	Line Printer Interface Card Schematic Diagram and Parts Location View	4-3
3-1.	Line Printer Interface Signal Flow, Block Diagram	3-1	4-2.	Integrated Circuit Diagrams	4-4

LIST OF TABLES

Table	Title	Page	Table	Title	Page
1-1.	Interface Kit Specifications	1-2	4-2.	Line Printer Interface Card Replaceable Parts	4-2
2-1.	Interface Card Jumper Wire Positions	2-1	4-3.	Integrated Circuit Characteristics	4-4
2-2.	Line Printer Printing Rates	2-2	5-1.	Line Printer Interface Kit Replaceable Parts	5-1
2-3.	Assembly Language Program for the Line Printer Interface Card	2-5	5-2.	Reference Designations and Abbreviations	5-2
4-1.	Cable Assembly, Connector Pin Functions	4-1	5-3.	Code List of Manufacturers	5-3

SECTION I

GENERAL INFORMATION

1-1. INTRODUCTION.

1-2. This operating and service manual covers general information, installation, programming, theory of operation, maintenance, and replaceable parts for the Hewlett-Packard 12653A Line Printer Interface Kit (see figure 1-1).

1-3. GENERAL DESCRIPTION.

1-4. The HP 12653A Line Printer Interface Kit provides the necessary equipment to enable using the HP 2767A Line Printer with an HP 2114, 2115, or 2116 Computer. The kit contains the following items:

- a. 12653-60002 Line Printer Interface Card.
- b. 12653-60001 Cable Assembly.
- c. 12653-90002 Operating and Service Manual.

1-5. The line printer interface kit uses a printed-circuit card with integrated circuits (positive-true logic) to transfer data and status information between the computer and the line printer. The interface card contains two 16-bit registers; one for output from the computer and one for input to the computer. Seven data bits are transferred from the computer through the output register to the line printer, and two status bits are transferred from the line printer through the input register to the computer. In addition to the two registers, the interface card contains control and interrupt logic circuits that permit programming of the I/O functions.

1-6. The following information is transferred from the interface card to the line printer:

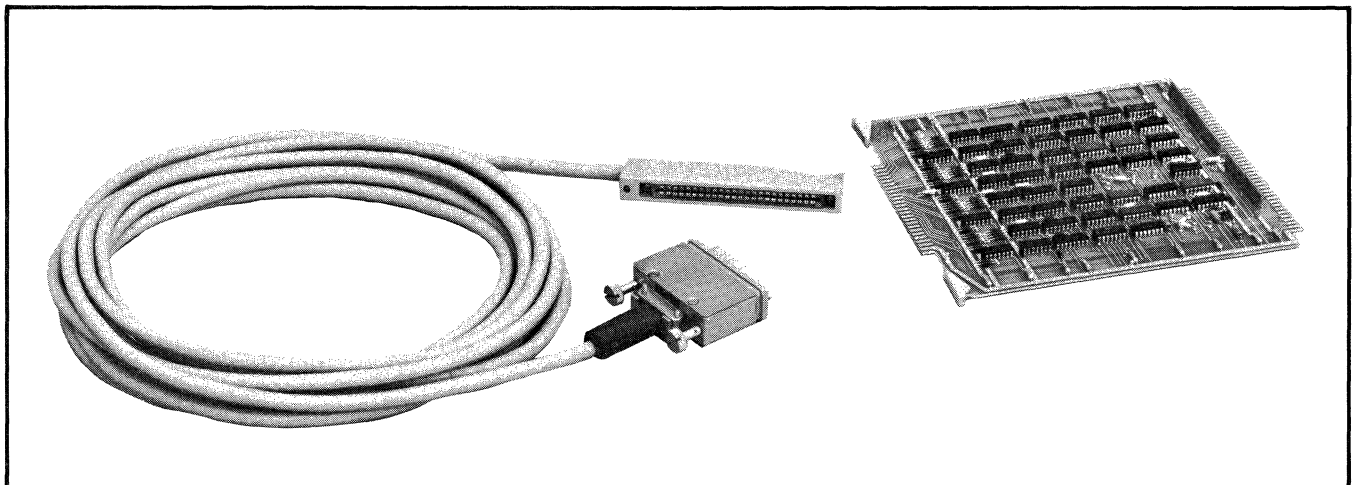
- a. The Device Command signal (called Data Strobe at the line printer) indicates when data is available for transfer to the line printer.
- b. Output register bits 0 through 6 (called Data signals 1 through 7 at the line printer) represent an ASCII (American Standard Code for Information Interchange) character for printout or one of the following control words: line feed, form feed, or carriage return.

1-7. The following information is transferred from the line printer, to the interface card:

- a. Input register bit 0 (called Demand Line signal at the line printer) indicates the line printer busy status.
- b. Input register bit 15 (called Ready signal at the line printer) indicates the line printer ready status.
- c. The Device Flag signal (called Demand Line signal at the line printer) indicates when the line printer is unconditionally able to accept new data.

1-8. IDENTIFICATION.

1-9. Printed-circuit card revisions are identified by a letter, a date code, and a division code stamped on the card (e.g., A-1024-22). The letter code identifies the version of



2115-6

Figure 1-1. 12653A Line Printer Interface Kit

the etched trace pattern on the unloaded card. The date code (four middle digits) refers to the electrical characteristics of the loaded card. The division code (last two digits) identifies the Hewlett-Packard division that manufactured the card. If the date code stamped on the printed-circuit card does not agree with the date code shown on the title page of this manual, there are differences between your card and the card described in this manual. These differences are described in manual supplements available at the nearest HP Sales and Service Office.

1-10. SPECIFICATIONS.

1-11. Specifications for the line printer interface kit are given in table 1-1.

Table 1-1. Interface Kit Specifications

CURRENT REQUIRED FROM COMPUTER:	
+4.5 Volt Supply:	1.10 amperes
-2 Volt Supply:	0.05 ampere
DATA TRANSFER RATE:	2.5 microseconds per character (average)
TYPE OF CODE USED:	ASCII (7-bits per character)
LOGIC VOLTAGE LEVELS:	
Logic 1:	+2.4 volts dc (minimum)
Logic 0:	+0.4 volts dc (maximum)

SECTION II

INSTALLATION AND PROGRAMMING

2-1. INTRODUCTION.

2-2. This section provides information on unpacking, inspection, installation, reshipment, and programming for the HP 12653A Line Printer Interface Kit.

2-3. UNPACKING AND INSPECTION.

2-4. If the shipping carton is damaged upon receipt, request that the carrier's agent be present when the kit is unpacked. Inspect the kit for damage (cracks, broken parts, etc.). If the kit is damaged and fails to meet specifications, notify the carrier and the nearest Hewlett-Packard Sales and Service Office immediately. (Sales and Service Offices are listed at the back of this manual.) Retain the shipping container and the packing material for the carrier's inspection. The Hewlett-Packard Sales and Service Office will arrange for the repair or replacement of the damaged kit without waiting for any claims against the carrier to be settled.

2-5. INSTALLATION.

2-6. JUMPER WIRES.

2-7. Table 2-1 lists the appropriate positions of the jumper wires on the interface card. Inspect the card and verify that the jumper wires are in the required positions. See the parts location view in figure 4-1 to determine the physical location of the jumpers.

Table 2-1. Interface Card Jumper Wire Positions

JUMPER WIRE	POSITION
W1	B
W2	A
W3	B
W4	B
W5	Out
W6	In
W7	In
W8	Out
W9	A

2-8. CARD INSTALLATION.

2-9. Install the interface card and cable assembly as follows:

a. Determine if the computer power supplies will provide the additional current required for operation of the interface card. Refer to Volume Three of the Hewlett-Packard computer documentation for a listing of current available from the computer power supplies.

b. Turn off computer and line printer power.

CAUTION

Determine that computer power is off before installing the interface kit, or damage to the computer may result.

c. Open computer for access to I/O card slots.

d. Plug interface card into I/O slot assigned for the particular computer system. Make certain that all higher priority slots have either another I/O card or a priority jumper card installed.

e. Pass the interface card connector of the cable assembly through opening at rear of computer. Slide connector onto interface card and close computer.

f. Connect other end of cable assembly to the mating connector at the rear of line printer.

g. Run diagnostic test as described in the Diagnostic Operating Procedure, part number 12653-90003, contained in the Manual of Diagnostics to verify that the interface card is functioning properly.

2-10. RESHIPMENT.

2-11. If an item of the kit is to be shipped to Hewlett-Packard for service or repair, attach a tag to the item identifying the owner and indicating the service or repair to be accomplished. Include the number of the kit.

2-12. Package the item in the original factory packaging material, if available. If the original material is not available, standard factory packaging material can be obtained from a local Hewlett-Packard Sales and Service Office.

2-13. If standard factory packaging material is not used, wrap the item in Air Cap TH-240 cushioning (or equivalent) manufactured by Sealed Air Corp., Hawthorne, N.J., and place in a corrugated carton (200 pound test material). Seal the shipping carton securely and mark it "FRAGILE" to assure careful handling.

Note

In any correspondence, identify the kit by number. Refer any questions to the nearest Hewlett-Packard Sales and Service Office.

2-14. PROGRAMMING.

2-15. The following paragraphs provide information for programming the line printer interface card and line printer. This information consists of the line printer characteristics, status and timing considerations, and a sample assembly language program. Additional programming information is available in the software manuals supplied with the computer.

2-16. LINE PRINTER CHARACTERISTICS.

2-17. The line printer prints up to 475 characters per second depending upon the message length and pattern. Each character requires 7-bits of data (ASCII code) and when each twentieth character is loaded in the line printer input buffers, a print cycle is automatically initiated. Print cycles require from 0.57 to 34.2 milliseconds to complete depending on the distance around the print drum to the last printed character. During the print cycle, characters cannot be loaded into the input buffers.

2-18. Characters are printed in 1 to 4 fields across the print drum with up to 20 characters being printed in each field and a maximum of 80 characters per line. Printing fewer characters per line increases the number of lines printed per minute and decreases the average number of characters printed per second due to the increased time used to feed paper. The minimum printing rates using the four fields are shown in table 2-2.

2-19. The line printer accepts ASCII coded data over seven data lines from the interface card. This data is converted into 64 printed characters and 3 format control words by the line printer input buffers. Printed characters include the 36 standard alphanumeric characters, 27 punctuation marks, and a space. The format control words are: single line, top-of-form, and carriage return. Each of these control words causes the printer to finish printing any characters remaining in the input buffers and then to perform the control word action as follows:

a. The single line control word is programmed by an octal 012 and causes the paper to advance one line. A request for new data is initiated before the paper stops. If the first input data for the next line is also a single line control word, the request for new data is cancelled and the printer advances paper to the next line. To avoid printing on perforations, an Automatic Perforation Steptover signal is initiated by the line printer. When a page boundary (perforation) is sensed, the Automatic Perforation Steptover signal causes the next single line control word to advance the paper six lines, three above and three below the perforation.

b. The top-of-form control word is programmed by an octal 014 and causes the paper to advance to the top of the next form. The paper automatically stops at the third line following the next perforation. A request for new data is initiated before the paper stops.

c. The carriage return control word is programmed by an octal 015 and clears the control registers so that the next character is printed at the left margin.

2-20. STATUS SIGNALS.

2-21. The line printer supplies two status signals that are sent to the interface card. These signals appear as bits 0 and 15 of the input register. Conditions indicated by the status bits are as follows:

<u>BIT</u>	<u>CONDITION</u>
0	Busy signal. Logic 0 indicates that the line printer is unconditionally able to accept new data (on line and ready). Logic 1 indicates that the line printer is storing a character, a print cycle is in progress, or the printer is not on-line and ready.
15	Ready signal. Logic 0 indicates that the line printer is ready to be put on-line and that the following five conditions are true: (1) line printer power is on, (2) paper is loaded, (3) drum gate is closed, (4) motor is running up to speed, and (5) paper feed motor is not over heated. Logic 1 indicates that a fault condition exists in the line printer.

Table 2-2. Line Printer Printing Rates

FIELD NO.	CHARACTER POSITIONS IN FIELD	MAXIMUM CHARACTERS PER LINE	MINIMUM PRINTING RATE (LINES PER MINUTE)
1	0 thru 20	20	1110
2	21 thru 40	40	650
3	41 thru 60	60	460
4	61 thru 80	80	356

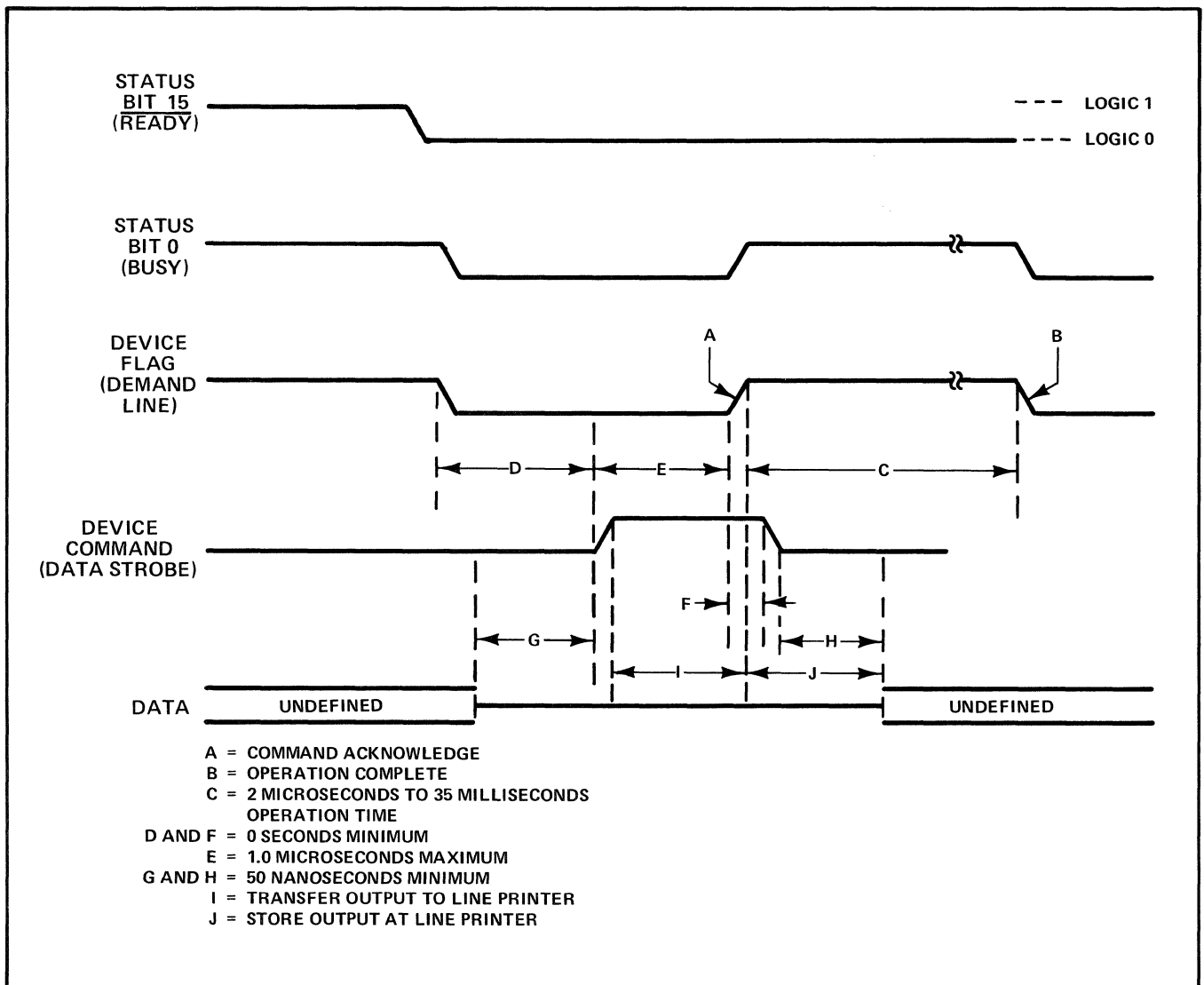
2-22. TIMING.

Note

In the following discussion, high refers to the more positive signal and low refers to the less positive signal.

2-23. Line printer operation is synchronized through Device Flag and Device Command signals. (These signals are called Demand Line and Data Strobe, respectively, on the line printer diagrams.) The Device Flag signal is initiated by the line printer when it is able to accept an input from the interface card. The Device Command signal is initiated on the interface card by a programmed instruction. Device Command signals are sent to the line printer to indicate when interface card outputs are ready to be transferred to the line printer. Figure 2-1 shows the interface card signal timing.

2-24. DEVICE FLAG SIGNAL. To initiate a Device Flag signal the line printer must be in ready status, placed in the on-line mode by the operator, and not busy processing a previous input. The line printer is in ready status when the power is on, drum gate is closed, paper is loaded, and no fault conditions exist. When the line printer is ready, the ready status signal goes low and remains low. The operator selects the on-line mode by setting a switch on the line printer. With these two conditions met, the line printer can receive and process inputs from the interface card. Inputs from the interface card consist of characters and control words (containing seven bits each) that are transferred serially to the line printer. Each character or control word received by the line printer is stored in the input buffers. The input is then decoded and the control word action performed. The line printer is busy when it is transferring data to storage or performing one of the control word operations. While the line printer is busy, the Device Flag signal is high. The Device Flag signal is low only when operations are complete and the line printer is not busy.



2115-1

Figure 2-1. Interface Signal Timing Diagram

2-25. The Device Flag signal is used by the interface card to indicate busy status, to acknowledge the transfer of data to the line printer, and to indicate to the computer when the line printer is ready to accept new data. To indicate busy status, the Device Flag signal line is connected to the input register Bit 0 FF. When the flip-flop output is a logic 0, the line printer is not busy (figure 2-1). To acknowledge data transfer, the Device Flag signal transition from low-to-high is used to clear the Device Command FF. The Device Flag signal goes from low-to-high when the line printer receives and is processing new data. As soon as the data processing is complete, the line printer is again not busy and the Device Flag signal goes from high-to-low. This transition from high-to-low causes the Flag FF to be set. Setting the Flag FF indicates that the data processing is complete and the line printer is ready to accept new data.

2-26. DEVICE COMMAND SIGNAL. The Device Command signal is initiated by programming a set control, clear flag (STC,C) instruction with the line printer select code. First, a character or control word is transferred from the computer to the interface card output register by an OTA or OTB instruction. Then, the set control portion of the STC,C instruction initiates the Device Command signal. The Device Command signal enables the transfer of data from the interface card to the line printer. The clear flag portion of the instruction causes the computer to hold any

additional data until the transferred data is stored. When the character or control word is transferred to the line printer, the line printer causes the Device Flag signal to go high. During the low-to-high transition, the Device Flag signal acknowledges the data transfer by causing the Device Command signal to go low. The Device Command signal remains low until the computer is again programmed to transfer data.

2-27. The line printer accepts and stores 20 consecutive characters and then automatically initiates a print cycle. A print cycle is also initiated by any of the three control words. When the line printer receives any control word, it first prints the characters that are stored in the line printer input buffers and then performs the control word function. The control word functions are: single line paper advance, top-of-form paper advance, and carriage return.

2-28. ASSEMBLY LANGUAGE PROGRAM.

2-29. Table 2-3 provides an assembly language program that indicates the operations and instructions required to transfer data from the computer memory to the line printer for print out. This program, when assembled on an object tape, will perform a print out using the skip-if-flag-set (SFS) method. The interrupt method is also available; however, the program is more complex because of subroutine requirements.

Table 2-3. Assembly Language Program for the Line Printer Interface Card

```

0001          ASMB,A,L,B,T
NEXT      001012
NEWD     001020
OUT      001022
N        001036
BFCTR   001037
BFADD   001040
BUFAD   001041
BUFF    001042
LF      001107
LP      000014
CHRCT   001110
** NO ERRORS*

0001          ASMB,A,L,B,T
0002* THIS IS A SAMPLE PROGRAM FOR THE HP 80-COLUMN
0003* LINE PRINTER
0004*
0005*
0006 01000          ORG 1000B
0007 01000 065110  LDB CHRCT      INITIALIZE SWITCH TO KEEP TRACK
0008*                                     OF THE LEFT OR RIGHT CHARACTER
0009*                                     WITHIN WORD
0010 01001 061036  LDA N          INITIALIZE PRINT LINE
0011 01002 071037  STA BFCTR      COUNTER
0012 01003 061041  LDA BUFAD     INITIALIZE PRINT LINE BUFFER
0013 01004 071040  STA BFADD     ADDRESS POINTER
0014 01005 102514  LIA LP        GET LINE-PRINTER STATUS. B15=0
0015 01006 002020  SSA          INDICATES: PAPER LOADED, GATE
0016*                                     CLOSED, SPEED OKAY, POWER ON,
0017*                                     TEMPERATURE OKAY
0018 01007 102010  HLT 10B      B15=1
0019 01010 000010  SLA          B0=0 INDICATES LINE PRINTER
0020*                                     READY, ON-LINE AND NOT BUSY
0021 01011 102011  HLT 11B      B0=1 LINE PRINTER BUSY
0022 01012 161040  NEXT LDA BFADD,I  PICK-UP CHARS AND DETERMINE WHICH
0023 01013 006011  SLB,RSS     CHAR WITHIN WORD IS TO BE OUTPUT
0024 01014 025020  JMP NEWD    GO TO OUTPUT LEFT CHARACTER
0025 01015 035040  ISZ BFADD  UPDATE POINTER TO NEXT WORD
0026 01016 005200  RBL        INDICATE LEFT CHAR TO BE
0027*                                     OUTPUT NEXT
0028 01017 025022  JMP OUT     OUTPUT CHARACTER
0029 01020 001727  NEWD ALF,ALF POSITION SO LEFT CHARACTER
0030*                                     CAN BE OUTPUT NEXT
0031 01021 005200  RBL        INDICATE RIGHT CHAR TO BE
0032*                                     OUTPUT NEXT
0033 01022 102614  OUT OTA LP  OUTPUT CHARACTER
0034 01023 103714  STC LP,C   STROBE INTO LINE PRINTER BUFFER
0035*                                     AND CLEAR INTERFACE BUFFER
0036 01024 102314  SFS LP     WAIT FOR COMPLETION OF CHARACTER
0037 01025 025024  JMP *-1    TRANSFER
0038 01026 035037  ISZ BFCTR  INCREMENT LINE OUTPUT COUNTER
0039 01027 025012  JMP NEXT   OUTPUT MORE CHARACTERS
0040 01030 061107  LDA LF     OUTPUT LINE-FEED
0041 01031 102614  OTA LP     CHARACTER
0042 01032 103714  STC LP,C   AND STROBE INTO LINE
0043*                                     PRINTER BUFFER
0044 01033 102314  SFS LP     WAIT FOR LINE-FEED OPERATION
0045 01034 025033  JMP *-1    COMPLETION
0046 01035 102012  HLT 12B   OPERATION COMPLETE HALT

```

Table 2-3. Assembly Language Program for the Line Printer Interface Card (Continued)

```

0047 01036 177667 N      DEC -73
0048 01037 000000 BFCTR BSS 1
0049 01040 000000 BFADD BSS 1
0050 01041 001042 BUFAD DEF BUFF
0051 01042 052110 BUFF  ASC 17,THIS IS A SAMPLE PROGRAM USING THE
      01043 044523
      01044 020111
      01045 051440
      01046 040440
      01047 051501
      01050 046520
      01051 046105
      01052 020120
      01053 051117
      01054 043522
      01055 040515
      01056 020125
      01057 051511
      01060 047107
      01061 020124
      01062 044105
0052 01063 020110      ASC 13, HEWLETT-PACKARD 80-COLUMN
      01064 042527
      01065 046105
      01066 052124
      01067 026520
      01070 040503
      01071 045501
      01072 051104
      01073 020070
      01074 030055
      01075 041517
      01076 046125
      01077 046516
0053 01100 020114      ASC 7, LINE PRINTER
      01101 044516
      01102 042440
      01103 050122
      01104 044516
      01105 052105
      01106 051040
0054 01107 000012 LF   OCT 12
0055 00014      LP   EQU 14B      LINE PRINTER SELECT CODE
0056 01110 125252 CHRCT OCT 125252
0057                      END
** NO ERRORS*

```

SECTION III

THEORY OF OPERATION

3-1. INTRODUCTION.

3-2. This section contains a functional description and a detailed circuit description of the line printer interface card. Also included at the back of this section is an operational flow diagram (figure 3-2) of the interface card.

3-3. FUNCTIONAL DESCRIPTION.

3-4. The line printer interface card contains an output register and the necessary control circuits to transfer data from the computer to the line printer. The interface card also contains an input register used to transfer status information from the line printer to the computer. All functions are performed under programmed instructions and result in characters being printed by the line printer. Programmed instructions initiate the control signals that are sent from the computer to the interface card (figure 3-1). These control signals enable the interface card output register so that data is transferred from the computer to the register. Control signals then initiate a Device Command signal that is sent from the interface card to the line printer. When the line printer is on-line and ready to receive data, it responds to the Device Command signal by printing.

3-5. Data is transferred from the computer to the interface card and then to the line printer in 7-bit parallel ASCII. Each data transfer represents one character for

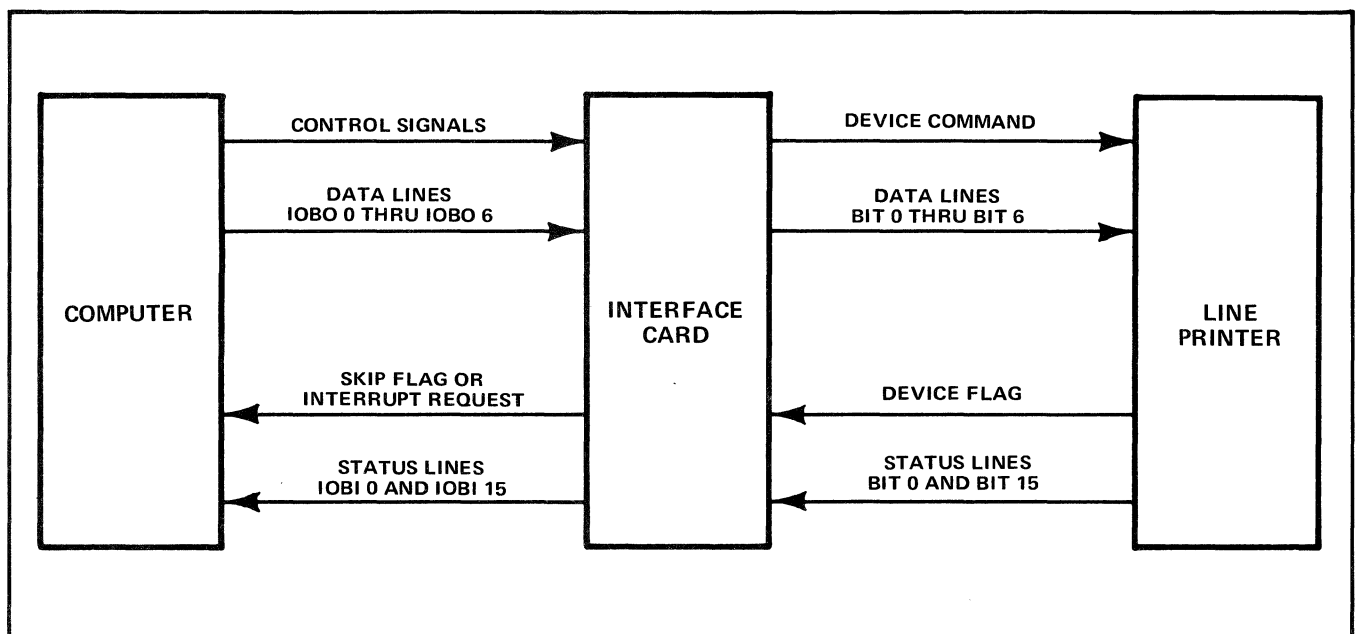
printing or one of three control words. As the character or control word is received by the line printer, the line printer stores or processes the data as required and then returns a Device Flag signal to the interface card. The Device Flag signal indicates when the line printer is ready to receive more data.

3-6. On the interface card, the Device Flag signal initiates either a Skip Flag or Interrupt Request signal depending on the method programmed for data transfer. The initiated signal is then sent to the computer to start the next data transfer. Data transfer continues as long as the computer is programmed to transfer data to the line printer and the line printer remains on-line and ready.

3-7. Line printer status is indicated by two status signals that are sent from the line printer to the interface card input register. To read status indications, Control signals are used to enable the input register and send the information to the computer. The signals indicate the line printer ready and busy status and both signals are false when the line printer is ready, on-line, and not busy processing data.

3-8. DETAILED CIRCUIT DESCRIPTION.

3-9. The line printer interface card uses integrated circuits with positive-true logic. There are nine jumper wires



2115-5

Figure 3-1. Line Printer Interface Signal Flow, Block Diagram

used to establish operating conditions for the integrated circuits. These jumper wires must be installed or removed as shown in table 2-1. The jumper wire configuration is also shown on the line printer interface card schematic diagram and parts location view, figure 4-1. In this configuration, some components are not used and are not described in the following paragraphs. Circuits that are described are divided into eight circuit groups as follows:

- a. Turn-on and preset circuit.
- b. Select code detector circuit.
- c. Flag circuit.
- d. Control circuit.
- e. Interrupt circuit.
- f. Skip-flag circuit.
- g. Output register.
- h. Input register.

3-10. TURN-ON AND PRESET CIRCUIT.

3-11. The turn-on and preset circuit establishes initial conditions for the interface card logic circuits. At computer power turn-on or when computer preset is enabled, the computer sends true POPIO(B) and CRS signals to the interface card. The true POPIO(B) signal is inverted to set the Flag Buffer FF which then enables the Flag FF at the next time T2. This inverted POPIO(B) signal is inverted again to provide a true Latch signal to the output register. Computer inputs to the output register are false during turn-on and preset so that a true Latch signal clears the register. The true CRS signal is inverted to clear both the Control and Device Command FFs.

3-12. SELECT CODE DETECTOR CIRCUIT.

3-13. The select code detector circuit enables the line printer interface card to accept and perform the instructions intended for the line printer. When the line printer is addressed by programmed instructions, the SCM and SCL signals are both true at the interface card. The IOG signal goes true when any instruction is programmed for an I/O device. These three signals are combined and inverted, and then inverted again and distributed to the programmed instruction signal input gates. Therefore, all three signals must be true before the interface card will accept a programmed instruction.

3-14. FLAG CIRCUIT.

3-15. The flag circuit provides initial conditions that allow the computer to send data to the line printer by either the interrupt or skip flag method. This circuit contains the Flag and Flag Buffer FFs and the device flag pulse shaping network. One condition that is required to transfer data is that the Flag FF be set. The Flag FF is always set at T2 (ENF signal true) of the following machine cycle after the Flag Buffer FF is set. Setting the Flag Buffer FF is done by any of three methods; during power turn-on and preset by the POPIO(B) signal, by programming an STF instruction, and by the Operation Complete signal from the device flag pulse shaping network. The Flag and Flag Buffer FFs are both cleared by a CLF

instruction and the Flag Buffer FF can also be cleared by an IAK signal from the computer.

3-16. The line printer sends a Device Flag signal to a pulse shaping network on the interface card. During the time that the line printer is busy storing or printing data, the Device Flag signal is held true. When the line printer is ready, on-line, and not busy storing or printing data, the Device Flag signal goes false and is held false until new data is accepted. These changes in signal levels are used by the pulse shaping network to develop Command Acknowledge and Operation Complete signals as follows: When the Device Flag signal is false (line printer not busy) the input to gate U86C is false at pin 13 and true at pin 12. During the transition of the Device Flag signal from false to true, pin 13 to gate U86C goes true and pin 12 remains true providing a false output until capacitor C5 discharges. This false output is the Command Acknowledge signal that is used to clear the Device Command FF. The Operation Complete signal is developed in the same manner except that the output is inverted through gate U85B. This inversion provides a true Operation Complete signal when the Device Flag signal goes from true to false. The true Operation Complete signal is used to set the Flag Buffer FF when the line printer is ready to accept data.

3-17. CONTROL CIRCUIT.

3-18. The control circuit is enabled to signal the line printer that data is available at the interface card output register. This circuit contains the Control and Device Command FFs. Both flip-flops are set by an STC instruction and cleared by a CRS signal or CLC instruction. The Device Command FF is also cleared by a Command Acknowledge signal from the device-flag pulse-shaping network. (Refer to paragraph 3-16.) Normally, the Control FF is set by the first STC instruction to the interface card and remains set until a CRS signal or CLC instruction is received. When set, the Control FF provides one condition for enabling the interrupt circuit. When the Device Command FF is set, the false clear-side output is sent to gate U75A. This gate inverts the false signal and sends a true Device Command signal to the line printer.

3-19. INTERRUPT CIRCUIT.

3-20. The interrupt circuit interrupts computer operation on a priority basis. During the interrupt, data is transferred from computer memory to the line printer. The interrupt circuit contains the IRQ FF. Initial conditions are established when the Flag and Control FFs are set and an IEN signal is received to enable gate U46B. An IEN signal is received when an STF instruction is programmed with select code 00. The false output from gate U46B is sent to gate U25A and inverted and sent to gate U35A. If gate U25A also receives a true PRH signal, indicating that there are no higher priority cards requesting an interrupt, the gate output goes false, sending a PRL signal to all lower priority cards. The PRL signal inhibits all lower priority cards from interrupting line printer operation. Gate U35A also receives a PRH signal, a signal from the set-side output of the Flag Buffer FF, and an SIR (T5) signal. If all the inputs to gate

SECTION IV MAINTENANCE

4-1. INTRODUCTION.

4-2. This section contains information on diagnostics and troubleshooting for the line printer interface kit.

4-3. PREVENTIVE MAINTENANCE.

4-4. Detailed preventive maintenance procedures and schedules are provided in Volume Two for the computer. There are no separate preventive maintenance procedures to be performed on the interface kit.

4-5. DIAGNOSTICS.

4-6. The interface card may be checked using the Diagnostic Operating Procedures, part no. 12653-90003, contained in the Manual of Diagnostics. The diagnostic will check the flag, control, and interrupt circuits, and the input and output buffer registers on the interface card.

4-7. TROUBLESHOOTING.

4-8. Troubleshooting for the interface card is accomplished by performing the tests in the diagnostic program and analyzing any error halts that occur as the test is being run. Continuity checks of the interconnecting cable may be

performed by using table 4-1. To further isolate the trouble, refer to the schematic diagram and parts location view in figure 4-1. Table 4-2 contains a parts list for the interface card with the parts listed in alphanumeric order by reference designation. Logic and pin location diagrams for the integrated circuits used on the interface card are contained in figure 4-2. Table 4-3 gives the integrated circuit input levels, output levels, and delay times which correspond to the integrated circuit characteristic number shown below each diagram in figure 4-2.

4-9. CABLE ASSEMBLY CONNECTOR PIN FUNCTIONS.

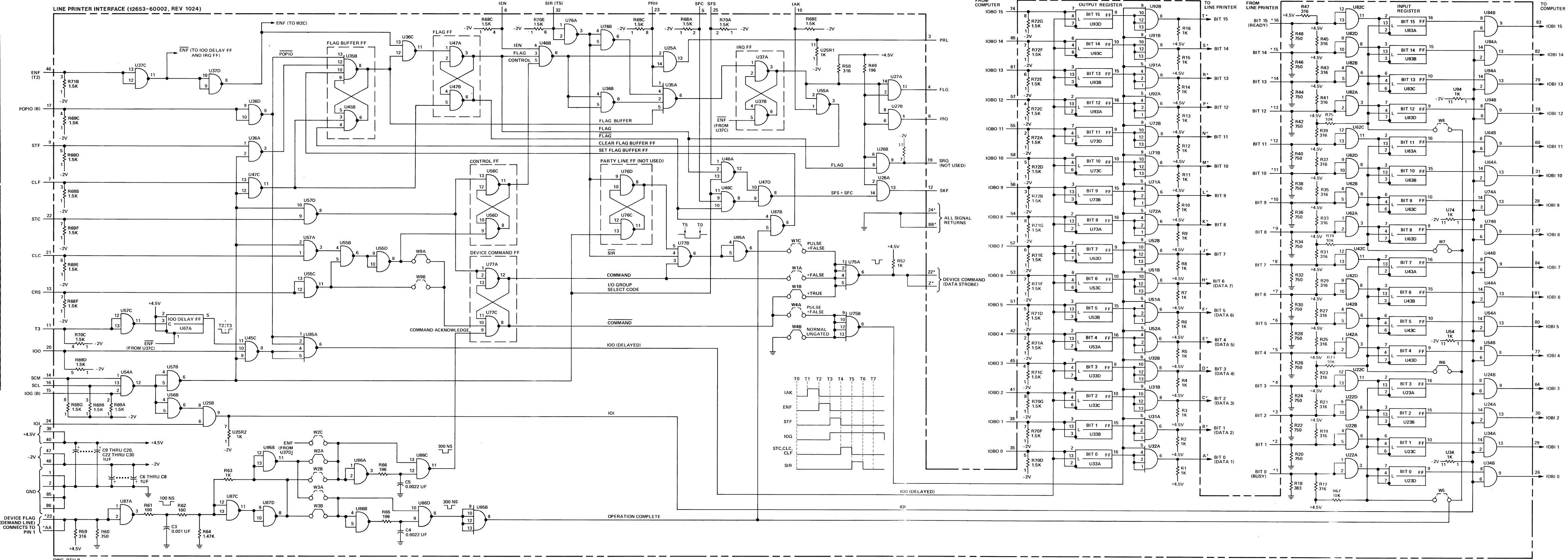
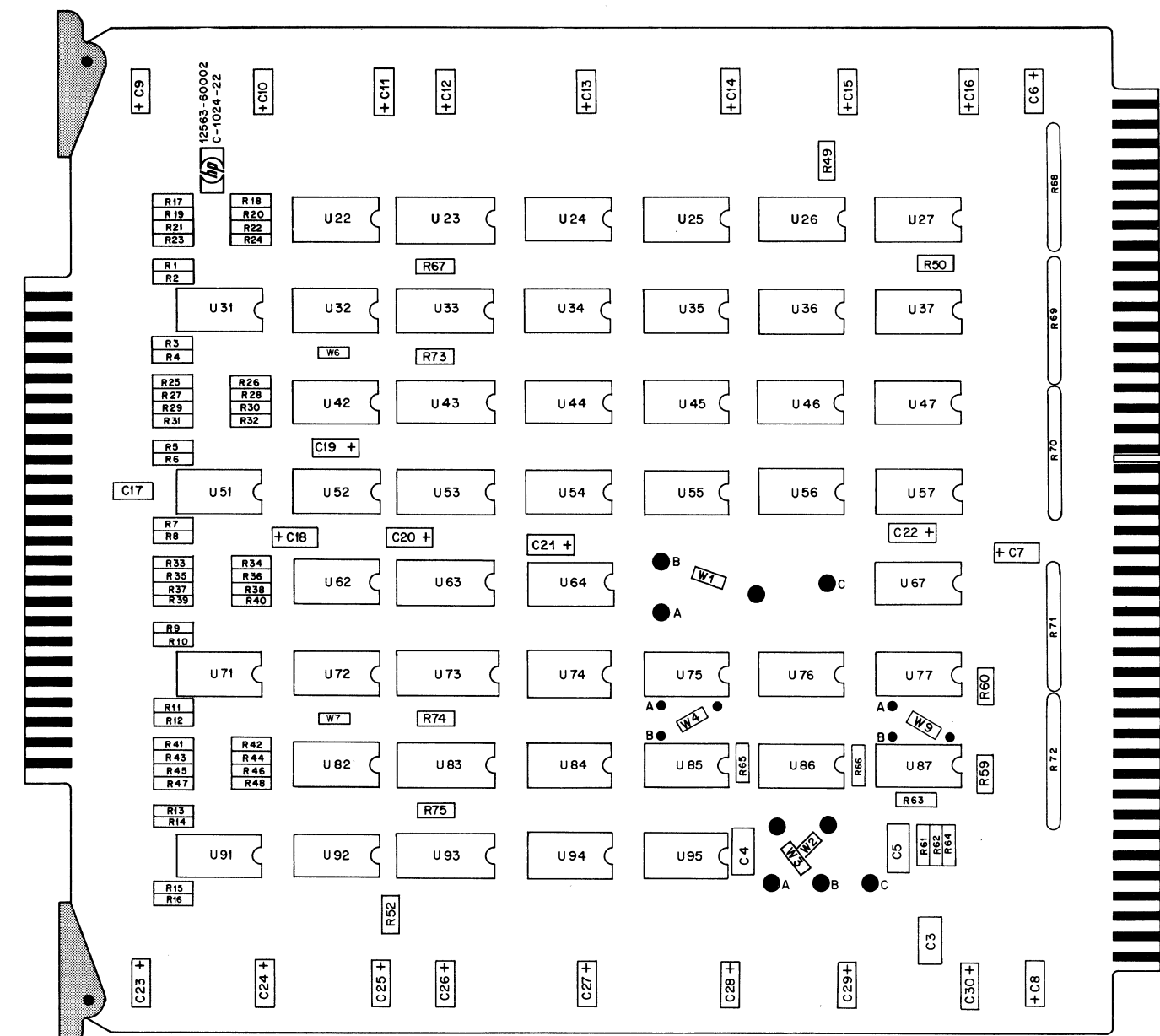
4-10. Table 4-1 contains a list of cable assembly pin assignments for the interface card connector and the line printer connector. The cable assembly contains 12 twisted-pair conductors. Each twisted pair consists of a signal conductor and a signal ground conductor. The entries in table 2-2 are organized with the signal conductor of a twisted pair listed first and the corresponding signal ground conductor immediately following. The signal ground conductors are connected together at pins BB and 24. In the cable connector that connects to the interface card, pins 2 through 15 are also connected to signal ground through pins BB and 24.

Table 4-1. Cable Assembly, Connector Pin Functions

INTERFACE CARD CONNECTOR PINS	LINE PRINTER CONNECTOR PINS	WIRE COLOR	SIGNAL NAME	
			INTERFACE CARD	LINE PRINTER
A BB,24	B D	BRN WHT	Output Bit 0 Sig Gnd	Data 1
B BB,24	F J	RED WHT	Output Bit 1 Sig Gnd	Data 2
C BB,24	L N	ORN WHT	Output Bit 2 Sig Gnd	Data 3
D BB,24	R T	YEL WHT	Output Bit 3 Sig Gnd	Data 4
E BB,24	V X	GRN WHT	Output Bit 4 Sig Gnd	Data 5
F BB,24	Z b	BLU WHT	Output Bit 5 Sig Gnd	Data 6
H BB,24	n k	VIO WHT	Output Bit 6 Sig Gnd	Data 7
Z,22 BB,24	j m	WHT/BLK WHT	Device Command Sig Gnd	Data Strobe
AA,23,1 BB,24	E C	WHT/RED WHT	Device Flag/Input Bit 0 Sig Gnd	Demand Line
16 BB,24	CC EE	GRA WHT	Input Bit 15 Sig Gnd	Ready
2 thru 15	—	—	Sig Gnd	

Table 4-2. Line Printer Interface Card Replaceable Parts

REFERENCE DESIGNATION	HP PART NO.	DESCRIPTION	MFR CODE	MFR PART NO.
C3	0160-0153	Capacitor, Fxd, My, 1000 pF, 10%, 200 VDCW	28480	0160-0152
C4,5	0160-0154	Capacitor, Fxd, My, 2200 pF, 10%, 200 VDCW	28480	0160-0154
C6 thru C20, C22 thru C30	0180-0291	Capacitor, Fxd, Elect, 1uF, 10%, 35 VDCW	56289	150D105X 9035A2
R1 thru R16,52,63	0757-0280	Resistor, Fxd, Flm, 1k, 1%, 1/8W	14674	MF4CD1001F
R17,19,21,23,25,27,29,31,33, 35,37,39,41,43,45,47,50,59	0698-3444	Resistor, Fxd, Flm, 316 ohms, 1%, 1/8W	19701	MF4CD3160F
R18,20,22,24,26,28,30,32,34, 36,38,40,42,44,46,48,60	0757-0420	Resistor, Fxd, Flm, 750 ohms, 1%, 1/8W	28480	0757-0420
R49,65,66	0698-3440	Resistor, Fxd, Flm, 196 ohms, 1%, 1/8W	28480	0698-3440
R61,62	0757-0401	Resistor, Fxd, Flm, 100 ohms, 1%, 1/8W	28480	0757-0401
R64	0757-1094	Resistor, Fxd, Flm, 1.47k, 1%, 1/8W	28480	0757-1094
R67, R73 thru R75	0757-0442	Resistor, Fxd, Flm, 10k, 1%, 1/8W	14674	MF4CD1002F
R68 thru R72	1810-0020	Resistor Network (7 fxd flm resistors)	28480	1810-0020
U22,42,62,82	1820-0141	Integrated Circuit, TTL	04713	SC7514PK
U23,33,43,53,63,73,83,93	1820-0301	Integrated Circuit, TTL	01295	SN4463
U24 thru U27,34,44,54,64,74, 84,94	1820-0956	Integrated Circuit, CTL	07263	SL3459
U31,32,51,52,71,72,91,92	1820-0140	Integrated Circuit, TTL	04713	SC7513PK
U35	1820-0069	Integrated Circuit, TTL	56289	USN7420A
U36,37,47,55,56,57,76,86, 87,95	1820-0054	Integrated Circuit, TTL	01295	SN4343
U45,46,77	1820-0068	Integrated Circuit, TTL	12040	SN7410N
U67	1820-0077	Integrated Circuit, TTL	01295	SN43354
U75,85	1820-0071	Integrated Circuit, TTL	01295	SN7440N
W1 thru W4,6,7,9	8159-0005	Jumper Wire	28480	8159-0005



- NOTES:
1. ALL LOGIC IS POSITIVE TRUE.
 2. PINS 23* AND AA* ARE EXTERNALLY JUMPED TO PIN 1*.
 3. SCHEMATIC DIAGRAM FOR RESISTOR NETWORKS R68 THRU R72:
-
4. AN ASTERISK (*) DENOTES PINS ON THE 48-PIN CONNECTOR. ALL OTHER PINS ARE ON THE 88-PIN CONNECTOR.
 5. PINS 2* THROUGH 15* ARE EXTERNALLY JUMPED TO PINS B* AND 24*.

Figure 4-1. Line Printer Interface Card Schematic Diagram and Parts Location View

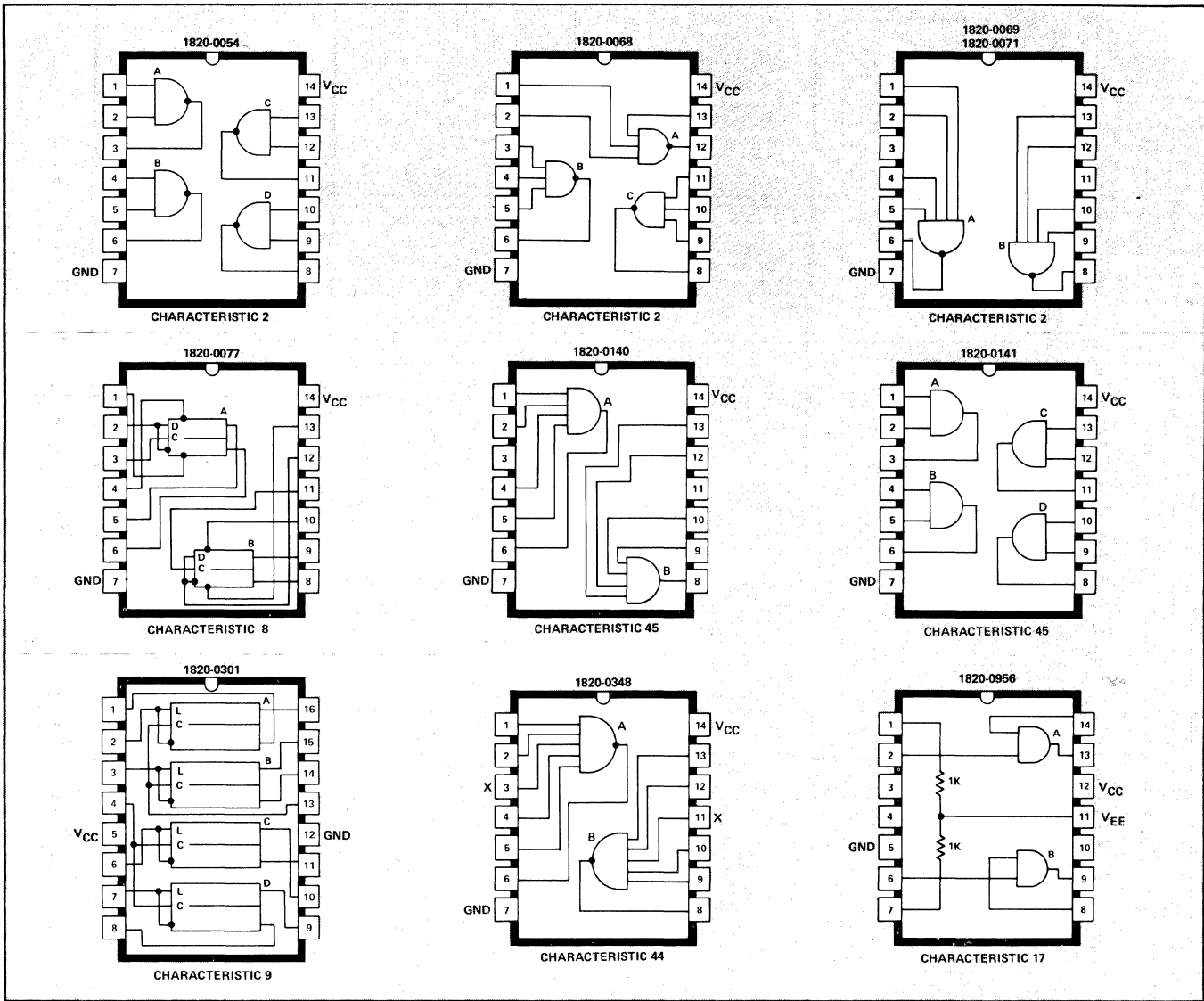


Figure 4-2. Integrated Circuit Diagrams

Table 4-3. Integrated Circuit Characteristics

CHARACTERISTIC	INPUT LEVEL		OUTPUT LEVEL		OPEN INPUT ACTS AS:	PROPAGATION DELAY (MAX)	
	LOGIC 1 (VOLTS, MIN)	LOGIC 0 (VOLTS, MAX)	LOGIC 1 (VOLTS, MIN)	LOGIC 0 (VOLTS, MAX)		TO LOGIC 1 (NANOSECONDS)	TO LOGIC 0 (NANOSECONDS)
2	+2.0	+0.8	+2.4	+0.4	Logic 1	29	15
8	+2.0	+0.8	+2.4	+0.4	Logic 1	35	50
9	+2.0	+0.8	+2.4	+0.4	Logic 1	40	25
17	+1.25	+0.5	+2.25	-0.36	Logic 0	18	18
44	+1.8	+1.1	+2.5	+0.4	Logic 1	15	15
45	+2.0	+1.1	Note 1	+0.5	Logic 1	50	35

NOTE:

1. Depends on load.

SECTION V

REPLACEABLE PARTS

5-1. INTRODUCTION.

5-2. This section contains information for ordering replacement parts for the HP 12653A Line Printer Interface Kit. Table 5-1 lists parts in alphanumeric order by HP part number and lists the following information for each part.

a. Description of the part. (Refer to table 5-2 for an explanation of abbreviations and reference designations used in the DESCRIPTION column.)

b. Typical manufacturer of the part in a five-digit code; refer to the list of manufacturers in table 5-3.

c. Manufacturer's part number.

d. Total quantity of each part used in the interface kit.

5-3. A separate parts list is provided along with the parts location view for the interface card in section IV of this manual. This parts list presents the parts in alphanumeric order by reference designation.

5-4. ORDERING INFORMATION.

5-5. To order replacement parts, address the order or inquiry to the local Hewlett-Packard Sales and Service Office. (Refer to the list at the end of this manual for addresses.) Specify the following information for each part ordered:

- a. Instrument model and serial number.
- b. Hewlett-Packard part number for each part.
- c. Description of each part.
- d. Circuit reference designation.

Table 5-1. Line Printer Interface Kit Replaceable Parts

HP PART NO.	DESCRIPTION	MFR CODE	MFR PART NO.	TQ
0160-0153	Capacitor, Fxd, My, 1000 pF, 10%, 200 VDCW	28480	0160-0152	1
0160-0154	Capacitor, Fxd, My, 2200 pF, 10%, 200 VDCW	28480	0160-0154	2
0180-0291	Capacitor, Fxd, Elect, 1 uF, 10%, 35 VDCW	56289	150D105X 9035A2	24
0698-3440	Resistor, Fxd, Flm, 196 ohms, 1%, 1/8W	28480	0698-3440	3
0698-3444	Resistor, Fxd, Flm, 316 ohms, 1%, 1/8W	19701	MF4CD3160F	18
0757-0280	Resistor, Fxd, Flm, 1k, 1%, 1/8W	14674	MF4CD1001F	18
0757-0401	Resistor, Fxd, Flm, 100 ohms, 1%, 1/8W	28480	0757-0401	2
0757-0420	Resistor, Fxd, Flm, 750 ohms, 1%, 1/8W	28480	0757-0420	17
0757-0442	Resistor, Fxd, Flm, 10k, 1%, 1/8W	14674	MF4CD1002F	4
0757-1094	Resistor, Fxd, Flm, 1.47k, 1%, 1/8W	28480	0757-1094	1
1810-0020	Resistor Network (7 fxd flm resistors)	78480	1810-0020	5
1820-0054	Integrated Circuit, TTL	01295	SN4343	10
1820-0068	Integrated Circuit, TTL	12040	SN7410N	3
1820-0069	Integrated Circuit, TTL	56289	USN7420A	1
1820-0071	Integrated Circuit, TTL	01295	SN7440N	2
1820-0077	Integrated Circuit, TTL	01295	SN43354	1
1820-0140	Integrated Circuit, TTL	04713	SC7513PK	8
1820-0141	Integrated Circuit, TTL	04713	SC7514PK	4
1820-0301	Integrated Circuit, TTL	01295	SN4463	8
1820-0956	Integrated Circuit, CTL	07263	SL3459	11
8159-0005	Jumper Wire	28480	8159-0005	7
12566-8001	Printed Circuit Board	28480	8159-8001	1
12653-60001	Cable Assembly	28480	12653-60001	1
12653-60002	Line Printer Interface Card Assembly	28480	12653-60002	1
12653-90002	Line Printer Interface Kit Operating and Service Manual	28480	12653-90002	1

Table 5-2. Reference Designations and Abbreviations

REFERENCE DESIGNATIONS		
A = assembly	K = relay	TB = terminal board
B = motor	L = inductor	TP = test point
BT = battery	M = meter	U = integrated circuit
C = capacitor	MC = microcircuit	V = vacuum tube, neon bulb, photocell, etc.
CR = diode	P = plug connector	VR = voltage regulator
DL = delay line	Q = transistor	W = cable, jumper
DS = indicator (lamp)	R = resistor	X = socket
E = misc hardware	RT = thermistor	Y = crystal
F = fuse	S = switch	Z = tuned cavity, network
FL = filter	T = transformer	
J = receptacle connector		
ABBREVIATIONS		
A = amperes	gnd = ground(ed)	ph = Phillips head
ac = alternating current	gra = gray	pk = peak
ad = anode	grn = green	p-p = peak-to-peak
Al = aluminum	H = henries	pt = point
AR = as required	Hg = mercury	PIV = peak inverse voltage
adj = adjust	hr = hour(s)	PNP = positive-negative-positive
Assy = assembly	Hz = hertz	PWV = peak working voltage
B = base	hdw = hardware	porc = porcelain
bp = bandpass	hex = hexagon, hexagonal	posn = position(s)
bfo = beat frequency oscillator	ID = inside diameter	pozi = pozidrive
blk = black	IF = intermediate frequency	ph brz = phosphor bronze
blu = blue	in. = inch, inches	rf = radio frequency
brn = brown	I/O = input/output	rdh = round head
brs = brass	int = internal	rmo = rack mount only
Btu = British thermal unit	incl = include(s)	rms = root-mean-square
bwc = backward wave oscillator	insul = insulation, insulated	RWV = reverse working voltage
Be Cu = beryllium copper	impgrg = impregnated	rect = rectifier
C = collector	incand = incandescent	r/min = revolutions per minute
cw = clockwise	k = kilo (10 ³), kilohm	s = second
ccw = counterclockwise	lp = low pass	SB = slow-blow
cer = ceramic	m = milli (10 ⁻³)	Se = selenium
cmo = cabinet mount only	M = mega (10 ⁶), megohm	Si = silicon
com = common	My = Mylar	scr = silicon-controlled rectifier
crt = cathode-ray tube	mfr = manufacturer	sil = silver
CTL = capacitor-transistor logic	mom = momentary	sst = stainless steel
cath = cathode	mtg = mounting	stl = steel
cd pl = cadmium plate	misc = miscellaneous	spcl = special
Comp = composition	met ox = metal oxide	spdt = single-pole, double-throw
conn = connector	mintr = miniature	spst = single-pole, single-throw
compl = complete	n = nano (10 ⁻⁹)	semicond = semiconductor
dc = direct current	nc = normally closed or no connection	Ta = tantalum
dr = drive	Ne = neon	td = time delay
DTL = diode-transistor logic	no. = number or normally open	Ti = titanium
depc = deposited carbon	np = nickel plated	tgl = toggle
dpdt = double-pole, double-throw	NPN = negative-positive-negative	thd = thread
dpst = double-pole, single-throw	NPO = negative positive zero (zero temperature coefficient)	tol = tolerance
E = emitter	NSR = not separately replaceable	TTL = transistor-transistor logic
ext = external	NRFR = not recommended for field replacement	term = terminal
encap = encapsulated	OD = outside diameter	U (μ) = micro (10 ⁻⁶)
elctlt = electrolytic	OBD = order by description	V = volt(s)
F = farads	orn = orange	var = variable
FF = flip-flop	ovh = oval head	vio = violet
flh = flat head	oxd = oxide	VDCW = direct current working volts
flm = film	p = pico (10 ⁻¹²)	W = watts
fxd = fixed	PC = printed circuit	ww = wirewound
filh = fillister head		wht = white
G = giga (10 ⁹)		WIV = working inverse voltage
Ge = germanium		yel = yellow
gl = glass		

Table 5-3. Code List of Manufacturers

The following code numbers are from the Federal Supply Code for Manufacturers Cataloging Handbooks H4-1 (Name to Code) and H4-2 (Code to Name) and their latest supplements. The date of revision and the date of the supplements used appear at the bottom of each page. Alphabetical codes have been arbitrarily assigned to suppliers not appearing in the H4 Handbooks.

Code No.	Manufacturer	Address	Code No.	Manufacturer	Address	Code No.	Manufacturer	Address
00000	U. S. A Common	Any supplier of U.S.	05347	Ultronix, Inc.	San Mateo, Cal.	11236	CTS of Berne, Inc.	Berne, Ind.
00136	McCoy Electronics	Mount Holly Springs, Pa.	05397	Union Carbide Corp., Elect. Div.	New York, N. Y.	11237	Chicago Telephone of California, Inc.	So. Pasadena, Cal.
00213	Sage Electronics Corp.	Rochester, N. Y.	05574	Viking Ind. Inc.	Canoga Park, Cal.	11242	Bay State Electronics Corp.	Waltham, Mass.
00287	Cemco, Inc.	Danielson, Conn.	05593	Icore Electro-Plastics Inc.	Sunnyvale, Cal.	11312	Teledyne Inc., Microwave Div.	Palo Alto, Cal.
00334	Humidial	Colton, Calif.	05616	Cosmo Plastic (c/o Electrical Spec. Co.)	Cleveland, Ohio	11314	National Seal	Downey, Cal.
00348	Mictron, Co., Inc.	Valley Stream, N. Y.	05624	Barber Colman Co.	Rockford, Ill.	11453	Precision Connector Corp.	Jamaica, N. Y.
00373	Garlock Inc.	Cherry Hill, N. J.	05728	Tiffen Optical Co.	Roslyn Heights, Long Island, N. Y.	11534	Duncan Electronics Inc.	Costa Mesa, Cal.
00656	Aerovox Corp.	New Bedford, Mass.	05729	Metro-Tel Corp.	Westbury, N. Y.	11711	General Instrument Corp., Semiconductor Division Products Group	Newark, N. J.
00779	Amp. Inc.	Harrisburg, Pa.	05783	Stewart Engineering Co.	Santa Cruz, Cal.	11717	Imperial Electronic, Inc.	Buena Park, Cal.
00781	Aircraft Radio Corp.	Boonton, N. J.	05820	Wakefield Engineering Inc.	Wakefield, Mass.	11870	Melabs, Inc.	Palo Alto, Cal.
00809	Croven, Ltd.	Whitby, Ontario, Canada	06004	Bassick Co., Div. of Stewart Warner Corp.	Bridgeport, Conn.	12136	Philadelphia Handle Co.	Camden, N. J.
00815	Northern Engineering Laboratories, Inc.	Burlington, Wis.	06090	Raychem Corp.	Redwood City, Cal.	12361	Grove Mfg. Co., Inc.	Shady Grove, Pa.
00853	Sangamo Electric Co., Pickens Div.	Pickens, S. C.	06175	Bausch and Lomb Optical Co.	Rochester, N. Y.	12574	Gulton Ind. Inc., Data System Div.	Albuquerque, N. M.
00866	Goe Engineering Co.	City of Industry, Cal.	06402	E. T. A. Products Co. of America	Chicago, Ill.	12697	Clarostat Mfg. Co.	Dover, N. H.
00891	Carl E. Holmes Corp.	Los Angeles, Cal.	06540	Amatong Electronic Hardware Co., Inc.	New Rochelle, N. Y.	12728	Elmar Filter Corp.	W. Haven, Conn.
00929	Microlab Inc.	Livingston, N. J.	06555	Beede Electrical Instrument Co., Inc.	Penacook, N. H.	12859	Nippon Electric Co., Ltd.	Tokyo, Japan
01002	General Electric Co., Capacitor Dept.	Hudson Falls, N. Y.	06666	General Devices Co., Inc.	Indianapolis, Ind.	12881	Metex Electronics Corp.	Clark, N. J.
01009	Alden Products Co.	Brookton, Mass.	06751	Components Inc., Ariz. Div.	Phoenix, Arizona	12930	Delta Semiconductor Inc.	Newport Beach, Cal.
01121	Allen Bradley Co.	Milwaukee, Wis.	06812	Torrington Mfg. Co., West Div.	Van Nuys, Cal.	12954	Dickson Electronics Corp.	Scottsdale, Arizona
01255	Litton Industries, Inc.	Beverly Hills, Cal.	06980	Varian Assoc. Etmac Div.	San Carlos, Cal.	13019	Airco Supply Co., Inc.	Wichita, Kansas
01281	TRW Semiconductors, Inc.	Lawndale, Cal.	07088	Kelvin Electric Co.	Van Nuys, Cal.	13061	Wilco Products	Detroit, Mich.
01295	Texas Instruments, Inc., Transistor Products Div.	Dallas, Texas	07126	Digitran Co.	Pasadena, Cal.	13103	Thermolloy	Dallas, Texas
01349	The Alliance Mfg. Co.	Alliance, Ohio	07137	Transistor Electronics Corp.	Minneapolis, Minn.	13327	Solitron Devices Inc.	Tappan, N. Y.
01538	Small Parts Inc.	Los Angeles, Cal.	07138	Westinghouse Electric Corp., Electronic Tube Div.	Elmira, N. Y.	13396	Telefunken (GmbH)	Hanover, Germany
01589	Pacific Relays, Inc.	Van Nuys, Cal.	07149	Filmohm Corp.	New York, N. Y.	13835	Midland-Wright Div. of Pacific Industries, Inc.	Kansas City, Kansas
01670	Gudebrod Bros. Silk Co.	New York, N. Y.	07233	Cinch-Graphix Co.	City of Industry, Cal.	14099	Sem-Tech	Newbury Park, Cal.
01930	Amerock Corp.	Rockford, Ill.	07256	Silicon Transistor Corp.	Carle Place, N. Y.	14193	Calif. Resistor Corp.	Santa Monica, Cal.
01960	Pulse Engineering Co.	Santa Clara, Cal.	07261	Avnet Corp.	Culver City, Cal.	14298	American Components, Inc.	Conshohocken, Pa.
02114	Ferroxcube Corp. of America	Saugerties, N. Y.	07263	Fairchild Camera & Inst. Corp., Semiconductor Div.	Mountain View, Cal.	14433	ITT Semiconductor, a Div. of Int. Telephone and Telegraph Corporation	West Palm Beach, Fla.
02116	Wheelock Signals, Inc.	Long Branch, N. J.	07322	Minnesota Rubber Co.	Minneapolis, Minn.	14493	Hewlett-Packard Company	Loveland, Colo.
02286	Cole Rubber and Plastics Inc.	Sunnyvale, Cal.	07387	Birtcher Corp, The	Monterey Park, Cal.	14655	Cornell Dublier Electric Corp.	Newark, N. J.
02660	Amphenol-Borg Electronics Corp.	Broadview, Ill.	07397	Sylvania Elect. Prod. Inc., Mt. View Operations	Mountain View, Cal.	14674	Corning Glass Works	Corning, N. Y.
02735	Radio Corp. of America, Semiconductor and Materials Division	Somerville, N. J.	07700	Technical Wire Products Inc.	Cranford, N. J.	14752	Electro Cube Inc.	San Gabriel, Cal.
02771	Vocaline Co. of America, Inc.	Old Saybrook, Conn.	07829	Bodine Elect. Co.	Chicago, Ill.	14960	Williams Mfg. Co.	San Jose, Cal.
02777	Hopkins Engineering Co.	San Fernando, Cal.	07910	Continental Device Corp.	Hawthorne, Cal.	15106	The Sphere Co., Inc.	Little Falls, N. J.
02875	Hudson Tool & Die	Newark, N. J.	07933	Raytheon Mfg. Co., Semiconductor Div.	Mountain View, Cal.	15203	Webster Electronics Co.	New York, N. Y.
03296	Nylon Molding Corp.	Springfield, N. J.	07980	Hewlett-Packard Co., New Jersey Division	Rockaway, N. J.	15287	Scionics Corp.	Northridge, Cal.
03508	G. E. Semiconductor Prod. Dept.	Syracuse, N. Y.	08145	U. S. Engineering Co.	Los Angeles, Cal.	15291	Adjustable Bushing Co.	N. Hollywood, Cal.
03705	Apex Machine & Tool Co.	Dayton, Ohio	08289	Blinn, Delbert Co.	Pomona, Cal.	15558	Micron Electronics	Garden City, Long Island, N. Y.
03797	Eldema Corp.	Compton, Calif.	08358	Burgess Battery Co.	Niagara Falls, Ontario, Canada	15566	Amprobe Inst. Corp.	Lyndbrook, N. Y.
03818	Parker Seal Co.	Los Angeles, Cal.	08524	Deutsch Fastener Corp.	Los Angeles, Cal.	15631	Cabletronics	Costa Mesa, Cal.
03877	Transitron Electric Corp.	Wakefield, Mass.	08664	Bristol Co., The	Waterbury, Conn.	15772	Twentieth Century Coil Spring Co.	Santa Clara, Cal.
03888	Pyrofilm Resistor Co., Inc.	Cedar Knolls, N. J.	08717	Sloan Company	Sun Valley, Cal.	15801	Fenwal Elect. Inc.	Framingham, Mass.
03954	Singer Co., Diehl Div., FINDERNE Plant	Sumerville, N. J.	08718	ITT Cannon Electric Inc., Phoenix Div.	Phoenix, Arizona	15818	Amelco Inc.	Mountain View, Cal.
04009	Arrow, Hart and Hegeman Elect. Co.	Hartford, Conn.	08727	National Radio Lab. Inc.	Paramus, N. J.	16037	Spruce Pine Mica Co.	Spruce Pine, N. C.
04013	Taruus Corp.	Lambertville, N. J.	08792	CBS Electronics Semiconductor Operations, Div. of CBS Inc.	Lowell, Mass.	16179	Omni-Spectra Inc.	Detroit, Ill.
04062	Arco Electronic Inc.	Great Neck, N. Y.	08806	General Electric Co., Miniature Lamp Dept.	Cleveland, Ohio	16352	Computer Diode Corp.	Lodi, N. J.
04217	Essex Wire	Los Angeles, Cal.	08984	Mel-Rain	Indianapolis, Ind.	16554	Electroid Co.	Union, N. J.
04222	Hi-Q Division of Aerovox	Myrtle Beach, S. C.	09026	Babcock Relays Div.	Costa Mesa, Cal.	16585	Boots Aircraft Nut Corp.	Pasadena, Cal.
04354	Precision Paper Tube Co.	Wheeling, Ill.	09097	Electronic Enclosures Inc.	Los Angeles, Calif.	16688	Ideal Prec. Meter Co., Inc., De Jur Meter Div.	Brooklyn, N. Y.
04404	Palo Alto Division of Hewlett-Packard Co.	Palo Alto, Cal.	09134	Texas Capacitor Co.	Houston, Texas	16758	Delco Radio Div. of G. M. Corp.	Kokomo, Ind.
04651	Sylvania Electric Products, Microwave Device Div.	Mountain View, Cal.	09145	Elect. Ind. Inc. Atohm Elect.	Burbank, Cal.	17109	Thermometrics Inc.	Canoga Park, Cal.
04673	Dakota Engr. Inc.	Culver City, Cal.	09250	Electro Assemblies, Inc.	Chicago, Ill.	17474	Tranex Company	Mountain View, Cal.
04713	Motorola Inc. Semiconductor Prod. Div.	Phoenix, Arizona	09353	C & K Components Inc.	Newton, Mass.	17675	Hamlin Metal Products Corp.	Akron, Ohio
04732	Filtron Co., Inc. Western Div.	Culver City, Cal.	09569	Mallory Battery Co. of Canada, Ltd.	Toronto, Ontario, Canada	17745	Angstrom Prec. Inc.	No. Hollywood, Cal.
04773	Automatic Electric Co.	Northlake, Ill.	09795	Pennsylvania Florocarbon	Clifton Heights, Penn.	17856	Siliconix Inc.	Sunnyvale, Cal.
04796	Sequoia Wire Co.	Redwood City, Cal.	09922	Burndy Corp.	Norwalk, Conn.	17870	McGraw-Edison Co.	Manchester, N. H.
04811	Precision Coil Spring Co.	El Monte, Cal.	10214	General Transistor Western Corp.	Los Angeles, Cal.	18042	Power Design Pacific Inc.	Palo Alto, Cal.
04870	P. M. Motor Company	Westchester, Ill.	10411	Ti-Tal, Inc.	Berkeley, Cal.	18083	Clevite Corp. Semiconductor Div.	Palo Alto, Cal.
04919	Component Mfg. Service Co.	W. Bridgewater, Mass.	10646	Carborundum Co.	Niagara Falls, N. Y.	18324	Signetics Corp.	Sunnyvale, Cal.
05006	Twentieth Century Plastics, Inc.	Los Angeles, Cal.				18476	Ty-Car Mfg. Co., Inc.	Holliston, Mass.
05277	Westinghouse Electric Corp. Semiconductor Dept.	Youngwood, Pa.				18486	TRW Elect. Comp. Div.	Des Plaines, Ill.

00015-49
Revised: May, 1970

From: Handbook Supplements
H4-1 Dated January 1970

Table 5-3. Code List of Manufacturers (Continued)

Code No.	Manufacturer	Address	Code No.	Manufacturer	Address	Code No.	Manufacturer	Address
19644	LRC Electronics	Horseheads, N. Y.	71482	C. P. Clare & Co.	Chicago, Ill.	78452	Thompson-Bremer & Co.	Chicago, Ill.
19701	Electra Mfg. Co.	Independence, Kansas	71590	Centralab Div. of Globe Union Inc.	Milwaukee, Wis.	78471	Tilley Mfg. Co.	San Francisco, Cal.
20183	General Atomics Corp.	Philadelphia, Pa.	71616	Commercial Plastics Co.	Chicago, Ill.	78488	Stackpole Carbon Co.	St. Marys, Pa.
21226	Executone, Inc.	Long Island City, N. Y.	71700	Cornish Wire Co., The	New York, N. Y.	78493	Standard Thomson Corp.	Waltham, Mass.
21355	Fafnir Bearing Co., The	New Britain, Conn.	71707	Coto Coil Co., Inc.	Providence, R. I.	78553	Timmerman Products, Inc.	Cleveland, Ohio
21520	Fansteel Metallurgical Corp.	N. Chicago, Ill.	71744	Chicago Miniature Lamp Works	Chicago, Ill.	78790	Transformer Engineers	San Gabriel, Cal.
23020	General Reed Co.	Metuchen, N. J.	71785	Cinch Mfg. Co.	Chicago, Ill.	78947	Ucinite Co.	Newtonville, Mass.
23042	Texscan Corp.	Indianapolis, Ind.	71984	Dow Corning Corp.	Midland, Mich.	79136	Waldes Kohinore Inc.	Long Island City, N. Y.
23783	British Radio Electronics Ltd.	Washington, D.C.	72136	Electro Motive Mfg. Co., Inc.	Willimantic, Conn.	79142	Veeder Root, Inc.	Hartford, Conn.
24455	G. E. Lamp Division, Nela Park	Cleveland, Ohio	72619	Dialight Corp.	Brooklyn, N. Y.	79251	Wenco Mfg. Co.	Chicago, Ill.
24655	General Radio Co.	West Concord, Mass.	72656	Indiana General Corp., Electronics Div.	Keasby, N. J.	79272	Continental-Wirt Electronics Corp.	Philadelphia, Pa.
24681	Memcor Inc., Comp. Div.	Huntington, Ind.	72699	General Instrument Corp., Cap Division	Newark, N. J.	79963	Zierick Mfg. Corp.	New Rochelle, N. Y.
26365	Gries Reproducer Corp.	New Rochelle, N. Y.	72765	Drake Mfg. Co.	Harwood Heights, Ill.	80031	Mepeco Division of Sessions Clock Co.	Morristown, N. J.
26462	Grobert File Co. of America, Inc.	Carlstadt, N. J.	72825	Hugh H. Eby Inc.	Philadelphia, Pa.	80033	Prestole Corp.	Toledo, Ohio
26851	Compac Hollister Co.	Hollister, Cal.	72928	Gudeman Co.	Chicago, Ill.	80120	Schnitzer Alloy Products Co.	Elizabeth, N. J.
26992	Hamilton Watch Co.	Lancaster, Pa.	72962	Elastic Stop Nut Corp.	Union, N. J.	80131	Electronic Industries Association. Standard tube or semi-conductor device, any manufacturer.	
28480	Hewlett-Packard Co.	Palo Alto, Cal.	72964	Robert M. Hadley Co.	Los Angeles, Cal.	80207	Unimax Switch, Div. Maxon Electronics Corp.	Wallingford, Conn.
28520	Heyman Mfg. Co.	Kenilworth, N. J.	72982	Erie Technological Products, Inc.	Erie, Pa.	80223	United Transformer Corp.	New York, N. Y.
30817	Instrument Specialties Co., Inc.	Little Falls, N. J.	73061	Hansen Mfg. Co., Inc.	Princeton, Ind.	80248	Oxford Electric Corp.	Chicago, Ill.
33173	G. E. Receiving Tube Dept.	Owensboro, Ky.	73076	H. M. Harper Co.	Chicago, Ill.	80294	Bourns Inc.	Riverside, Cal.
35434	Lectrohm Inc.	Chicago, Ill.	73138	Helipot Div. of Beckman Inst., Inc.	Fullerton, Cal.	80411	Arco Div. of Robertshaw Controls Co.	Columbus, Ohio
36196	Stanwyck Coil Products, Ltd.	Hawkesbury, Ontario, Canada	73293	Hughes Products Division of Hughes Aircraft Co.	Newport Beach, Cal.	80486	All Star Products Inc.	Defiance, Ohio
36287	Cunningham, W. H. & Hill, Ltd.	Toronto, Ontario, Canada	73445	Amperex Elect. Co.	Hicksville, L. I., N. Y.	80509	Avery Label Co.	Monrovia, Cal.
37942	P. R. Mallory & Co., Inc.	Indianapolis, Ind.	73506	Bradley Semiconductor Corp.	New Haven, Conn.	80583	Hammarlund Co., Inc.	Mars Hill, N. C.
39543	Mechanical Industries Prod. Co.	Akron, Ohio	73559	Carling Electric, Inc.	Hartford, Conn.	80640	Stevens, Arnold, Co., Inc.	Boston, Mass.
40920	Miniature Precision Bearings, Inc.	Keene, N. H.	73586	Circle F Mfg. Co.	Trenton, N. J.	80813	Dimco Gray Co.	Dayton, Ohio
40931	Honeywell Inc.	Minneapolis, Minn.	73682	George K. Garrett Co., Div. MSL Industries, Inc.	Philadelphia, Pa.	81030	International Inst. Inc.	Orange, Conn.
42190	Muter Co.	Chicago, Ill.	73734	Federal Screw Products, Inc.	Chicago, Ill.	81073	Grayhill Co.	LaGrange, Ill.
43990	C. A. Norgren Co.	Englewood, Colo.	73743	Fischer Special Mfg. Co.	Cincinnati, Ohio	81095	Triad Transformer Corp.	Venice, Cal.
44655	Ohmite Mfg. Co.	Skokie, Ill.	73793	General Industries Co., The	Elyria, Ohio	81312	Winchester Elec. Div. Litton Ind., Inc.	Oakville, Conn.
46384	Penn Eng. & Mfg. Corp.	Doylestown, Pa.	73846	Goshen Stamping & Tool Co.	Goshen, Ind.	81349	Military Specification	
47904	Polaroid Corp.	Cambridge, Mass.	73899	JFD Electronics Corp.	Brooklyn, N. Y.	81483	International Rectifier Corp.	El Segundo, Cal.
48620	Precision Thermometer & Inst. Co.	Southampton, Pa.	73905	Jennings Radio Mfg. Corp.	San Jose, Cal.	81541	Airpax Electronics, Inc.	Cambridge, Maryland
49956	Microwave & Power Tube Div.	Waltham, Mass.	73957	Groove-Pin Corp.	Ridgefield, N. J.	81860	Barry Controls, Div. Barry Wright Corp.	Watertown, Mass.
52090	Rowan Controller Co.	Westminster, Md.	74276	Signalite Inc.	Neptune, N. J.	82042	Carter Precision Electric Co.	Skokie, Ill.
52983	HP Co. Med. Elec. Div.	Waltham, Mass.	74455	J. H. Winns and Sons	Winchester, Mass.	82047	Sperti Faraday Inc., Copper Hewitt Electric Div.	Hoboken, N. J.
54294	Shalleross Mfg. Co.	Selma, N. C.	74861	Industrial Condenser Corp.	Chicago, Ill.	82116	Electric Regulator Corp.	Norwalk, Conn.
55026	Simpson Electric Co.	Chicago, Ill.	74868	R. F. Products Division of Amphenol-Borg Electronic Corp.	Danbury, Conn.	82142	Jeffers Electronics Division of Speer Carbon Co.	Du Bois, Pa.
55933	Sonotone Corp.	Elmsford, N. Y.	74970	E. F. Johnson Co.	Waseca, Minn.	82170	Fairchild Camera & Inst. Corp., Space & Defense Systems Div.	Paramus, N. J.
55938	Raytheon Co. Commercial Apparatus & System Div.	So. Norwalk, Conn.	75042	International Resistance Co.	Philadelphia, Pa.	82209	Magurie Industries, Inc.	Greenwich, Conn.
56137	Spaulding Fibre Co., Inc.	Tonawanda, N. Y.	75263	Keystone Carbon Co., Inc.	St. Marys, Pa.	82219	Sylvania Electric Prod., Inc. Electronic Tube Division	Emporium, Pa.
56289	Sprague Electric Co.	North Adams, Mass.	75378	CTS Knights, Inc.	Sandwich, Ill.	82376	Astron Corp.	East Newark, Harrison, N. J.
58474	Superior Elect. Co.	Bristol, Conn.	75382	Kulka Electric Corp.	Mt. Vernon, N. Y.	82389	Switchcraft, Inc.	Chicago, Ill.
59446	Telex Corp.	Tulsa, Okla.	75818	Lenz Electric Mfg. Co.	Chicago, Ill.	82647	Metals & Controls Inc., Spencer Products	Attleboro, Mass.
59730	Thomas & Betts Co.	Elizabeth, N. J.	75915	Littlefuge, Inc.	Des Plaines, Ill.	82768	Phillips-Advance Control Co.	Joliet, Ill.
60741	Triplet Electrical Inst. Co.	Bluffton, Ohio	76005	Lord Mfg. Co.	Erie, Pa.	82866	Research Products Corp.	Madison, Wis.
61775	Union Switch and Signal Div. of Westinghouse Air Brake Co.	Pittsburgh, Pa.	76210	C. W. Marwedel	San Francisco, Cal.	82877	Rolton Mfg. Co., Inc.	Woodstock, N. Y.
62119	Universal Electric Co.	Owosso, Mich.	76433	General Instrument Corp., Micamold Division	Newark, N. J.	82893	Vector Electronic Co.	Glendale, Cal.
63743	Ward-Leonard Electric Co.	Mt. Vernon, N. Y.	76487	James Millen Mfg. Co., Inc.	Malden, Mass.	83058	Carr Fastener Co.	Cambridge, Mass.
64959	Western Electric Co., Inc.	New York, N. Y.	76530	Cinch-Monadnock, Div. of United Carr Fastener Corp.	San Leandro, Cal.	83086	New Hampshire Ball Bearing, Inc.	Peterborough, N. H.
65092	Western Inst. Inc. Weston-Newark	Newark, N. J.	76545	Mueller Electric Co.	Cleveland, Ohio	83125	General Instrument Corp., Capacitor Div.	Darlington, S. C.
66295	Wittek Mfg. Co.	Chicago, Ill.	76703	National Union	Newark, N. J.	83148	ITT Wire and Cable Div.	Los Angeles, Cal.
66346	Minnesota Mining & Mfg. Co. Revere Mincom Div.	St. Paul, Minn.	76854	Oak Manufacturing Co.	Crystal Lake, Ill.	83186	Victory Eng. Corp.	Springfield, N. J.
70276	Allen Mfg. Co.	Hartford, Conn.	77068	The Bendix Corp., Electrodynamics Div.	N. Hollywood, Cal.	83298	Bendix Corp., Red Bank Div.	Red Bank, N. J.
70309	Allied Control	New York, N. Y.	77075	Pacific Metals Co.	San Francisco, Cal.	83315	Hubbell Corp.	Mundelein, Ill.
70318	Allmetal Screw Product Co., Inc.	Garden City, N. Y.	77221	Phaostran Instrument and Electronic Co.	So. Pasadena, Cal.	83324	Rosan Inc.	Newport Beach, Cal.
70417	Amplex, Div. of Chrysler Corp.	Detroit, Mich.	77252	Philadelphia Steel and Wire Corp.	Philadelphia, Pa.	83330	Smith, Herman H., Inc.	Brooklyn, N. Y.
70485	Atlantic India Rubber Works, Inc.	Chicago, Ill.	77342	American Machine & Foundry Co. Potter & Brumfield Div.	Princeton, Ind.	83332	Tech Labs	Palisades Park, N. J.
70563	Amperite Co., Inc.	Union City, N. J.	77630	TRW Electronic Components Div.	Camden, N. J.	83385	Central Screw Co.	Chicago, Ill.
70674	ADC Products Inc.	Minneapolis, Minn.	77638	General Instrument Corp., Rectifier Division	Brooklyn, N. Y.	83501	Gavitt Wire and Cable Co., Div. of Amerace Corp.	Brookfield, Mass.
70903	Belden Mfg. Co.	Chicago, Ill.	77764	Resistance Products Co.	Harrisburg, Pa.	83594	Burroughs Corp., Electronic Tube Div.	Plainfield, N. J.
70998	Bird Electric Corp.	Cleveland, Ohio	77969	Rubbercraft Corp. of Calif.	Torrance, Cal.	83740	Union Carbide Corp., Consumer Prod. Div.	New York, N. Y.
71002	Birnbach Radio Co.	New York, N. Y.	78189	Shakeproof Division of Illinois Tool Works	Elgin, Ill.	83777	Model Eng. and Mfg., Inc.	Huntington, Ind.
71034	Biley Electric Co., Inc.	Erie, Pa.	78277	Sigma	So. Braintree, Mass.	83821	Lloyd Scruggs Co.	Festus, Mo.
71041	Boston Gear Works Div. of Murray Co. of Texas	Quincey, Mass.	78283	Signal Indicator Corp.	New York, N. Y.	83942	Aeronautical Inst. & Radio Co.	Lodi, N. J.
71218	Bud Radio, Inc.	Willoughby, Ohio	78290	Struthers-Dunn Inc.	Pitman, N. J.	84171	Arco Electronics Inc.	Great Neck, N. Y.
71279	Cambridge Thermionics Corp.	Cambridge, Mass.				84396	A. J. Glesener Co., Inc.	San Francisco, Cal.
71286	Camloc Fastener Corp.	Paramus, N. J.				84411	TRW Capacitor Div.	Ogallala, Neb.
71313	Cardwell Condenser Corp.	Lindenhurst, L. I., N. Y.						
71400	Bussmann Mfg. Div. of McGraw-Edison Co.	St. Louis, Mo.						
71436	Chicago Condenser Corp.	Chicago, Ill.						
71447	Calif. Spring Co., Inc.	Pico-Rivera, Cal.						
71450	CTS Corp.	Elkhart, Ind.						
71468	ITT Cannon Electric Inc.	Los Angeles, Cal.						
71471	Cinema, Div. Aerovox Corp.	Burbank, Cal.						

00015-49
Revised: May, 1970From: Handbook Supplements
H4-1 Dated January 1970

Table 5-3. Code List of Manufacturers (Continued)

Code No.	Manufacturer	Address	Code No.	Manufacturer	Address	Code No.	Manufacturer	Address
94870	Sarkes Tarzian, Inc.	Bloomington, Ind.	91929	Honeywell Inc., Micro Switch Division	Freeport, Ill.	96095	Hi-Q Div. of Aerovox Corp.	Olean, N. Y.
85454	Boonton Molding Company	Boonton, N. J.				96256	Thordarson-Meissner Inc.	Mt. Carmel, Ill.
85471	A. B. Boyd Co.	San Francisco, Cal.	91961	Nahm-Bros. Spring Co.	Oakland, Cal.	96296	Solar Mfg. Co.	Los Angeles, Cal.
85474	R. M. Bracamonte & Co.	San Francisco, Cal.	92180	Tru-Connector Corp.	Peabody, Mass.	96396	Microswitch, Div. of	
85660	Koiled Kords, Inc.	Hamden, Conn.	92367	Elgeet Optical Co., Inc.	Rochester, N. Y.		Minn.-Honeywell	Freeport, Ill.
85911	Seamless Rubber Co.	Chicago, Ill.	92607	Tensolite Insulated Wire Co., Inc.		96330	Carlton Screw Co.	Chicago, Ill.
86174	Fafnir Bearing Co.	Los Angeles, Calif.				96341	Microwave Associates, Inc.	Burlington, Mass.
86197	Clifton Precision Products Co., Inc.					96501	Excel Transformer Co.	Oakland, Cal.
		Clifton Heights, Pa.	92702	IMC Magnetics Corp.	Westbury, L. I., N. Y.	96508	Xcelite, Inc.	Orchard Park, N. Y.
86579	Precision Rubber Products Corp.	Dayton, Ohio	92966	Hudson Lamp Co.	Kearney, N. J.	96733	San Fernando Elec. Mfg. Co.	San Fernando, Cal.
86684	Radio Corp. of America, Electronic Comp. & Devices Division	Harrison, N. J.	93332	Sylvania Electric Prod. Inc., Semiconductor Div.	Woburn, Mass.	96881	Thomson Ind. Inc.	Long Island, N. Y.
86928	Seastrom Mfg. Co.	Glendale, Cal.	93369	Robbins & Myers Inc.	Pallisades Park, N. J.	97464	Industrial Retaining Ring Co.	Irvington, N. J.
87034	Marco Industries	Anaheim, Cal.	93410	Stemco Controls, Div. of Essex Wire Corp.	Mansfield, Ohio	97539	Automatic & Precision Mfg.	Englewood, N. J.
87216	Philco Corporation (Lansdale Division)		93632	Waters Mfg. Co.	Culver City, Cal.	97979	Reon Resistor Corp.	Yonkers, N. Y.
		Lansdale, Pa.	93929	G. V. Controls	Livingston, N. J.	97983	Litton System Inc., Adler-Westrex Commun. Div.	New Rochelle, N. Y.
87473	Western Fibrous Glass Products Co.		94137	General Cable Corp.	Bayonne, N. J.	98141	R-Tronics, Inc.	Jamaica, N. Y.
		San Francisco, Cal.	94144	Raytheon Co., Comp. Div., Ind. Comp. Operations	Quincy, Mass.	98159	Rubber Teck, Inc.	Gardena, Cal.
87664	Van Waters & Rogers Inc.	San Francisco, Cal.	94148	Scientific Electronics Products, Inc.	Loveland, Colo.	98220	Hewlett-Packard Co., Medical Elec. Div.	Pasadena, Cal.
87930	Tower Mfg. Corp.	Providence, R. I.	94154	Wagner Elect. Corp., Tung-Sol Div.	Newark, N. J.	98278	Microdot, Inc.	So. Pasadena, Cal.
88140	Cutler-Hammer, Inc.	Lincoln, Ill.	94197	Curtiss-Wright Corp., Electronics Div.	East Patterson, N. J.	98291	Sealectro Corp.	Mamaronech, N. Y.
88220	Gould-National Batteries, Inc.	St. Paul, Minn.	94222	South Chester Corp.	Chester, Pa.	98376	Zero Mfg. Co.	Burbank, Cal.
88698	General Mills, Inc.	Buffalo, N. Y.	94330	Wire Cloth Products, Inc.	Bellwood, Ill.	98410	Etc Inc.	Cleveland, Ohio
89231	Graybar Electric Co.	Oakland, Cal.	94375	Automatic Metal Products Co.	Brooklyn, N. Y.	98731	General Mills Inc., Electronics Div.	
89473	G. E. Distributing Corp.	Schenectady, N. Y.	94682	Worcester Pressed Aluminum Corp.				Minneapolis, Minn.
89479	Security Co.	Detroit, Mich.	94696	Magnecraft Electric Co.	Chicago, Ill.	98734	Paeco Division of Hewlett-Packard Co.	
89665	United Transformer Co.	Chicago, Ill.	95023	George A. Philbrick Researchers, Inc.				Palo Alto, Cal.
90030	United Shoe Machinery Corp.	Beverly, Mass.	95146	Alco Elect. Mfg. Co.	Lawrence, Mass.	98821	North Hills Electronics, Inc.	Glen Cove, N. Y.
90179	U. S. Rubber Co., Consumer Ind. & Plastics Prod. Div.	Passaic, N. J.	95236	Allies Products Corp.	Dania, Fla.	98978	International Electronic Research Corp.	
90365	Belleville Speciality Tool Mfg., Inc.		95238	Continental Connector Corp.	Woodside, N. Y.	99109	Columbia Technical Corp.	New York, N. Y.
		Belleville, Ill.	95263	Leecraft Mfg. Co., Inc.	Long Island, N. Y.	99313	Varian Associates	Palo Alto, Cal.
90763	United Carr Fastener Corp.	Chicago, Ill.	95265	National Coil Co.	Sheridan, Wyo.	99378	Atlee Corp.	Winchester, Mass.
90970	Bearing Engineering Co.	San Francisco, Cal.	95275	Vitramon, Inc.	Bridgeport, Conn.	99515	Marshall Ind., Capacitor Div.	Monrovia, Cal.
91146	ITT Cannon Elect. Inc., Salem Div.		95348	Gordos Corp.	Bloomfield, N. J.	99707	Control Switch Division, Controls Co. of America	El Segundo, Cal.
		Salem, Mass.	95354	Methodie Mfg. Co.	Rolling Meadows, Ill.	99800	Delevan Electronics Corp.	East Aurora, N. Y.
91260	Connor Spring Mfg. Co.	San Francisco, Cal.	95566	Arnold Engineering Co.	Marengo, Ill.	99848	Wilco Corporation	Indianapolis, Ind.
91345	Miller Dial & Nameplate Co.	El Monte, Cal.	95712	Dage Electric Co., Inc.	Franklin, Ind.	99928	Branson Corp.	Whippany, N. J.
91418	Radio Materials Co.	Chicago, Ill.	95984	Siemon Mfg. Co.	Wayne, Ill.	99934	Rembrandt, Inc.	Boston, Mass.
91506	Augat Inc.	Attleboro, Mass.	95987	Weckesser Co.	Chicago, Ill.	99942	Hoffman Electronics Corp., Semiconductor Division	El Monte, Cal.
91637	Dale Electronics, Inc.	Columbus, Nebr.	96067	Microwave Assoc. West, Inc.	Sunnyvale, Cal.	99957	Technology-Instrument Corp. of California	Newbury Park, Cal.
91662	Elco Corp.	Willow Grove, Pa.						
91673	Epiphone Inc.	New York, N. Y.						
91737	Gremar Mfg. Co., Inc.	Wakefield, Mass.						
91827	K F Development Co.	Redwood City, Cal.						
91886	Malco Mfg., Inc.	Chicago, Ill.						

The following HP Vendors have no number assigned in the latest supplement to the Federal Supply Code for Manufacturers Handbook.

0000F	Malco Tool and Die	Los Angeles, Calif.	000CS	Hewlett-Packard Co., Colorado Springs Div.	Colorado Springs, Colorado	000QQ	Cooltron	Oakland, Cal.
0000Z	Willow Leather Products Corp.	Newark, N. J.	000MM	Rubber Eng. & Development	Hayward, Cal.	000WW	California Eastern Lab	Burlington, Cal.
000AB	ETA	England	000NN	A "N" D Mfg. Co.	San Jose, Cal.	000YY	S. K. Smith Co.	Los Angeles, Cal.
000BB	Precision Instrument Comp. Co.	Van Nuys, Cal.						

HEWLETT • PACKARD SALES AND SERVICE

UNITED STATES

ALABAMA

P.O. Box 4207
2003 Byrd Spring Road S.W.
Huntsville 35802
Tel: (205) 881-4591
TWX: 810-726-2204

ARIZONA

3009 North Scottsdale Road
Scottsdale 85251
Tel: (602) 945-7601
TWX: 910-950-1282

5737 East Broadway
Tucson 85716
Tel: (602) 298-2313
TWX: 910-952-1162

CALIFORNIA

1430 East Orangethorpe Ave.
Fullerton 92631
Tel: (714) 870-1000

3939 Lankershim Boulevard
North Hollywood 91604
Tel: (213) 877-1282
TWX: 910-499-2170

1101 Embarcadero Road
Palo Alto 94303
Tel: (415) 327-6500
TWX: 910-373-1280

2220 Watt Ave.
Sacramento 95825
Tel: (916) 482-1463
TWX: 910-367-2092

1055 Shafter Street
San Diego 92106
Tel: (714) 223-8103
TWX: 910-335-2000

COLORADO

7965 East Prentice
Englewood 80110
Tel: (303) 771-3455
TWX: 910-935-0705

CONNECTICUT

508 Tolland Street
East Hartford 06108
Tel: (203) 289-9394
TWX: 710-425-3416

111 East Avenue
Norwalk 06851
Tel: (203) 853-1251
TWX: 710-468-3750

DELAWARE

3941 Kennett Pike
Wilmington 19807
Tel: (302) 655-6161
TWX: 510-666-2214

FLORIDA

P.O. Box 24210
2806 W. Oakland Park Blvd.
Ft. Lauderdale 33307
Tel: (305) 731-2020
TWX: 510-955-4099

P.O. Box 20007
Herndon Station 32814
621 Commonwealth Avenue
Orlando
Tel: (305) 841-3970
TWX: 810-850-0113

GEORGIA

P.O. Box 28234
450 Interstate North
Atlanta 30328
Tel: (404) 436-6181
TWX: 810-766-4890

ILLINOIS

5500 Howard Street
Skokie 60076
Tel: (312) 677-0400
TWX: 910-223-3613

INDIANA

3839 Meadows Drive
Indianapolis 46205
Tel: (317) 546-4891
TWX: 810-341-3263

LOUISIANA

P.O. Box 856
1942 Williams Boulevard
Kenner 70062
Tel: (504) 721-6201
TWX: 810-955-5524

MARYLAND

6707 Whitestone Road
Baltimore 21207
Tel: (301) 944-5400
TWX: 710-862-0850

P.O. Box 1648
2 Choce Cherry Road
Rockville 20850
Tel: (301) 948-6370
TWX: 710-828-9684

MASSACHUSETTS

32 Hartwell Ave.
Lexington 02173
Tel: (617) 861-8960
TWX: 710-326-6904

MICHIGAN

24315 Northwestern Highway
Southfield 48075
Tel: (313) 353-9100
TWX: 810-224-4882

MINNESOTA

2459 University Avenue
St. Paul 55114
Tel: (612) 645-9461
TWX: 910-563-3734

MISSOURI

11131 Colorado Ave.
Kansas City 64137
Tel: (816) 763-8000
TWX: 910-771-2087

2812 South Brentwood Blvd.
St. Louis 63144
Tel: (314) 962-5000
TWX: 910-760-1670

NEW JERSEY

W. 120 Century Road
Paramus 07652
Tel: (201) 265-5000
TWX: 710-990-4951

1060 N. Kings Highway
Cherry Hill 08034
Tel: (609) 667-4000
TWX: 710-892-4945

NEW MEXICO

P.O. Box 8366
Station C
6501 Lomas Boulevard N.E.
Albuquerque 87108
Tel: (505) 265-3713
TWX: 910-989-1665

156 Wyatt Drive
Las Cruces 88001
Tel: (505) 526-2485
TWX: 910-983-0550

NEW YORK

1702 Central Avenue
Albany 12205
Tel: (518) 869-8462
TWX: 710-441-8270

1219 Campville Road
Endicott 13760
Tel: (607) 754-0050
TWX: 510-252-0890

82 Washington Street
Poughkeepsie 12601
Tel: (914) 454-7330
TWX: 510-248-0012

39 Saginaw Drive
Rochester 14623
Tel: (716) 473-9500
TWX: 510-253-5981

1025 Northern Boulevard
Roslyn, Long Island 11576
Tel: (516) 869-8400
TWX: 510-223-0811

5858 East Molloy Road
Syracuse 13211
Tel: (315) 454-2486
TWX: 710-541-0482

NORTH CAROLINA

P.O. Box 5188
1923 North Main Street
High Point 27622
Tel: (919) 885-8101
TWX: 510-926-1516

OHIO

25575 Center Ridge Road
Cleveland 44145
Tel: (216) 835-0300
TWX: 810-427-9129

3460 South Dixie Drive
Dayton 45439
Tel: (513) 298-0351
TWX: 810-459-1925

1120 Morse Road
Columbus 43229
Tel: (614) 846-1300

OKLAHOMA

2919 United Founders Boulevard
Oklahoma City 73112
Tel: (405) 848-2801
TWX: 910-830-6862

OREGON

Westhills Mall, Suite 158
4475 S.W. Scholls Ferry Road
Portland 97225
Tel: (503) 292-9171
TWX: 910-464-6103

PENNSYLVANIA

2500 Moss Side Boulevard
Monroeville 15146
Tel: (412) 271-0724
TWX: 710-797-3650

1021 8th Avenue
King of Prussia Industrial Park
King of Prussia 19406
Tel: (215) 265-7000
TWX: 510-660-2670

RHODE ISLAND

873 Waterman Ave.
East Providence 02914
Tel: (401) 434-5535
TWX: 710-381-7573

TEXAS

P.O. Box 1270
201 E. Arapaho Rd.
Richardson 75080
Tel: (214) 231-6101
TWX: 910-867-4723

P.O. Box 22813
6300 Westpark Drive
Suite 100
Houston 77027
Tel: (713) 781-6000
TWX: 910-881-2645

231 Billy Mitchell Road
San Antonio 78226
Tel: (512) 434-4171
TWX: 910-871-1170

UTAH

2890 South Main Street
Salt Lake City 84115
Tel: (801) 487-0715
TWX: 910-925-5681

VERMONT

P.O. Box 2287
Kennedy Drive
South Burlington 05401
Tel: (802) 688-4455
TWX: 710-224-1841

VIRGINIA

P.O. Box 6514
2111 Spencer Road
Richmond 23230
Tel: (703) 285-3431
TWX: 710-956-0157

WASHINGTON

433-108th N.E.
Bellevue 98004
Tel: (206) 454-3971
TWX: 910-443-2303

*WEST VIRGINIA

Charleston
Tel: (304) 768-1232

FOR U.S. AREAS NOT LISTED:

Contact the regional office nearest you: Atlanta, Georgia... North Hollywood, California... Paramus, New Jersey... Skokie, Illinois. Their complete addresses are listed above.

*Service Only

CANADA

ALBERTA

Hewlett-Packard (Canada) Ltd.
11745 Jasper Ave.
Edmonton
Tel: (403) 482-5561
TWX: 610-831-2431

BRITISH COLUMBIA

Hewlett-Packard (Canada) Ltd.
4519 Canada Way
North Burnaby 2
Tel: (604) 433-8213
TWX: 610-922-5059

MANITOBA

Hewlett-Packard (Canada) Ltd.
511 Bradford Ct.
St. James
Tel: (204) 786-7581
TWX: 610-671-3531

NOVA SCOTIA

Hewlett-Packard (Canada) Ltd.
2745 Dutch Village Rd.
Suite 203
Halifax
Tel: (902) 455-0511
TWX: 610-271-4482

ONTARIO

Hewlett-Packard (Canada) Ltd.
880 Lady Ellen Place
Ottawa 3
Tel: (613) 722-4223
TWX: 610-562-1952

Hewlett-Packard (Canada) Ltd.
50 Galaxy Blvd.
Rexdale
Tel: (416) 677-9611
TWX: 610-492-4246

QUEBEC

Hewlett-Packard (Canada) Ltd.
275 Hymus Boulevard
Pointe Claire
Tel: (514) 697-4232
TWX: 610-422-3022
Telex: 01-20607

FOR CANADIAN AREAS NOT LISTED:

Contact Hewlett-Packard (Canada) Ltd. in Pointe Claire, at the complete address listed above.

CENTRAL AND SOUTH AMERICA

ARGENTINA

Hewlett-Packard Argentina
S.A.C.e.I
Lavalle 1171 - 3°
Buenos Aires
Tel: 35-0436, 35-0627, 35-0431
Telex: 012-1009
Cable: HEWPACKARG

BRAZIL

Hewlett-Packard Do Brasil
I.e.C. Ltda.
Rua Coronel Oscar Porto, 691
Sao Paulo - 8, SP
Tel: 288-7111
Cable: HEWPACK Sao Paulo

Hewlett-Packard Do Brasil
I.e.C. Ltda.
Rua da Matriz 29
Botafogo ZC-02
Rio de Janeiro, GB
Tel: 246-4417
Cable: HEWPACK Rio de Janeiro

CHILE

Héctor Calcagni y Cia, Ltda.
Bustos, 1932-3er Piso
Casilla 13942
Santiago
Tel: 4-2396
Cable: Calcagni Santiago

COLOMBIA

Instrumentacion
Henrik A. Langebaek & Kier
Ltda.
Carrera 7 No. 48-59
Apartado Aereo 6287
Bogota, 1 D.E.
Tel: 45-78-06, 45-55-46
Cable: AARIS Bogota
Telex: 044-400

COSTA RICA

Lic. Alfredo Gallegos Guardián
Apartado 3243
San José
Tel: 21-86-13
Cable: GALGUR San José

ECUADOR

Laboratorios de Radio-Ingeniería
Calle Guayaquil 1246
Post Office Box 3199
Quito
Tel: 12496
Cable: HORVATH Quito

EL SALVADOR

Electrónica
Apartado Postal 1589
27 Avenida Norte 1133
San Salvador
Tel: 25-74-50
Cable: ELECTRONICA
San Salvador

GUATEMALA

Olander Associates Latin America
Apartado Postal 1226
Ruta 4, 6-53, Zona 4
Guatemala City
Tel: 63958
Cable: OLALA Guatemala City

MEXICO

Hewlett-Packard Mexicana, S.A.
de C.V.
Moras 439
Col. del Valle
Mexico 12, D.F.
Tel: 5-75-46-49

NICARAGUA

Roberto Terán G.
Apartado Postal 689
Edificio Terán
Managua
Tel: 3451, 3452
Cable: ROTERAN Managua

PANAMA

Electrónico Balboa, S.A.
P.O. Box 4929
Ave. Manuel Espinosa No. 13-50
Bldg. Alina
Panama City
Tel: 30833
Cable: ELECTRON Panama City

PERU

Fernando Ezeta B.
Avenida Petit Thouars 4719
Miraflores
Casilla 3061
Lima
Tel: 45-2335
Cable: FEPPERU Lima

PUERTO RICO

San Juan Electronics, Inc.
P.O. Box 5167
Ponce de Leon 154
Pda. 3-Pta. de Tierra
San Juan 00906
Tel: (809) 725-3342
Cable: SATRONICS San Juan
Telex: SATRON 3450 332

URUGUAY

Pablo Ferrando S.A.
Comercial e Industrial
Avenida Italia 2877
Casilla de Correo 370
Montevideo
Tel: 40-3102
Cable: RADIUUM Montevideo

VENEZUELA

Hewlett-Packard De Venezuela
C.A.
Apartado 50933
Caracas
Tel: 71.88.05, 71.88.69, 71.99.30
Cable: HEWPACK Caracas

FOR AREAS NOT LISTED, CONTACT:

Hewlett-Packard
INTERCONTINENTAL
3200 Hillview Ave.
Palo Alto, California 94304
Tel: (415) 326-7000
TWX: 910-373-1267
Cable: HEWPACK Palo Alto
Telex: 034-8461

EUROPE

AUSTRIA
Unilabor GmbH
Wissenschaftliche Instrumente
Rummelhardtgasse 6/3
P.O. Box 33
Vienna A-1095
Tel: (222) 42 61 81, 43 13 94
Cable: LABORINSTRUMENT
Vienna
Telex: 75 762

BELGIUM
Hewlett-Packard Benelux S.A.
348 Boulevard du Souverain
Brussels 1160
Tel: 72 22 40
Cable: PALOEN Brussels
Telex: 23 494

DENMARK
Hewlett-Packard A/S
Datavej 38
DK-3460 Birkerød
Tel: (01) 81 66 40
Cable: HEWPACK AS
Telex: 66 40

EASTERN EUROPE
Hewlett-Packard S.A. Genf.
Korrespondenz Büro Für Ost-europa
(Czechoslovakia, Hungary,
Poland, DDR, Rumania,
Bulgaria)
Innstrasse 23/2
Postfach
A-1204 Vienna, Austria
Tel: (222) 33 66 06/09
Cable: HEWPACK Vienna

FINLAND
Hewlett-Packard Oy
Bulevardi 26
P.O. Box 12185
Helsinki 12
Tel: 13-730
Cable: HEWPACKOY-Helsinki
Telex: 12-1563

FRANCE
Hewlett-Packard France
Quartier de Courtaboeuf
Boite Postale No. 6
91 Orsay
Tel: 1-920 88 01
Cable: HEWPACK Orsay
Telex: 60048

Hewlett-Packard France
4 Quai des Etoiles
69 Lyon 5ème
Tel: 78-42 63 45
Cable: HEWPACK Lyon
Telex: 31617

GERMANY
Hewlett-Packard Vertriebs-GmbH
Lietzenburgerstrasse 30
1 Berlin 30
Tel: (0311) 211 60 16
Telex: 18 34 05

Hewlett-Packard Vertriebs-GmbH
Herrenbergerstrasse 110
703 Böblingen, Württemberg
Tel: 07031-6671
Cable: HEPAG Böblingen
Telex: 72 65 739

Hewlett-Packard Vertriebs-GmbH
Achenbachstrasse 15
4 Düsseldorf 1
Tel: (0211) 68 52 58/59
Telex: 85 86 533

Hewlett-Packard Vertriebs-GmbH
Berliner Strasse 117
6 Nieder-Eschbach/Frankfurt 56
Tel: (0631) 50 10 64
Cable: HEWPACKSA Frankfurt
Telex: 41 32 49 FRA

Hewlett-Packard Vertriebs-GmbH
Beim Strohhause 26
2 Hamburg 1
Tel: (0411) 24 05 51/52
Cable: HEWPACKSA Hamburg
Telex: 21 53 32

Hewlett-Packard Vertriebs-GmbH
Reginfriedstrasse 13
8 München 9
Tel: (0811) 69 59 71/75
Cable: HEWPACKSA München
Telex: 52 49 85

GREECE
Kostas Karayannis
18, Ermou Street
Athens 126
Tel: 230301,3,5
Cable: RAKAR Athens
Telex: 21 59 62 RKAR GR

IRELAND
Hewlett-Packard Ltd.
224 Bath Road
Slough, Bucks, England
Tel: Slough 753-33341
Cable: HEWPIE Slough
Telex: 84413

ITALY
Hewlett-Packard Italiana S.p.A.
Via Amerigo Vespucci 2
20124 Milano
Tel: (2) 6251 (10 lines)
Cable: HEWPACKIT Milan
Telex: 32046

Hewlett-Packard Italiana S.p.A.
Palazzo Italia
Piazza Marconi 25
00144 Rome - Eur
Tel: 6-591 2544
Cable: HEWPACKIT Rome
Telex: 61514

NETHERLANDS
Hewlett-Packard Benelux, N.V.
Weerdesteijn 117
P.O. Box 7825
Amsterdam, Z 11
Tel: 020-42 7777
Cable: PALOEN Amsterdam
Telex: 13 216

NORWAY
Hewlett-Packard Norge A/S
Box 149
Nesveien 13
N-1344 Haslum
Tel: 2-53 83 60
Cable: HEWPACK Oslo
Telex: 16621

PORTUGAL
Teletra
Empresa Tecnica de
Equipamentos
Electricos, S.a.r.l.
Rua Rodrigo da Fonseca 103
P.O. Box 2531
Lisbon 1
Tel: 68 60 72
Cable: TELETRA Lisbon
Telex: 1598

SPAIN
Ataio Ingenieros SA
Ganduxer 76
Barcelona 6
Tel: 211-44-66
Cable: TELEATAIO BARCELONA

Ataio Ingenieros SA
Enrique Larreta 12
Madrid, 16
Tel: 215 35 43
Cable: TELEATAIO Madrid
Telex: 27249E

SWEDEN
Hewlett-Packard (Sverige) AB
Hagakergatan 9C
S 431 04 Mölndal 4
Tel: 031 - 27 68 00

Hewlett-Packard (Sverige) AB
Svetsarvägen 7
S171 20 Solna 1
Tel: (08) 98 12 50
Cable: MEASUREMENTS
Stockholm
Telex: 10721

SWITZERLAND
Hewlett Packard (Schweiz) AG
Zurcherstrasse 20
8952 Schlieren
Zurich
Tel: (051) 98 18 21/24
Cable: HPAG CH
Telex: 53933

Hewlett Packard (Schweiz) A.G.
Rue du Bois-du-Lan 7
1217 Meyrin 2 Geneva
Tel: (022) 41 54 00
Cable: HEWPACKSA Geneva
Telex: 2 24 86

TURKEY
Telekom Engineering Bureau
P.O. Box 376 - Galata
Karakoy
Istanbul
Tel: 49 40 40
Cable: TELEMATIION Istanbul

UNITED KINGDOM
Hewlett-Packard Ltd.
224 Bath Road
Slough, Bucks
Tel: Slough 33341
Cable: HEWPIE Slough
Telex: 84413

Hewlett-Packard Ltd.
The Graftons
Stamford New Road
Altrincham, Cheshire
Tel: 061 928-8626
Telex: 668068

USSR
Please Contact
Hewlett-Packard S.A.
Rue du Bois-du-Lan 7
1217 Meyrin 2 Geneva
Tel: (022) 41 54 00
Cable: HEWPACKSA Geneva
Switzerland
Telex: 2.24.86

YUGOSLAVIA
Belram S.A.
83 avenue des Mimosas
Brussels 1150, Belgium
Tel: 34 33 32, 34 26 19
Cable: BELRAMEL Brussels
Telex: 21790

FOR AREAS NOT LISTED, CONTACT:
Hewlett-Packard S.A.
Rue du Bois-du-Lan 7
1217 Meyrin 2 Geneva
Switzerland
Tel: (022) 41 54 00
Cable: HEWPACKSA Geneva
Telex: 2.24.86

AFRICA, ASIA, AUSTRALIA

ANGOLA
Teletra Empresa Técnica
de Equipamentos Eléctricos
SAR
Rua de Barbosa Rodrigues
42-1º
Box 6487
Luanda
Cable: TELETRA Luanda

AUSTRALIA
Hewlett-Packard Australia
Pty. Ltd.
22-26 Weir Street
Glen Iris, 3146
Victoria
Tel: 20.1371 (6 lines)
Cable: HEWARD Melbourne
Telex: 31024

Hewlett-Packard Australia
Pty. Ltd.
61 Alexander Street
Crows Nest 2065
New South Wales
Tel: 43.7866
Cable: HEWARD Sydney
Telex: 21561

Hewlett-Packard Australia
Pty. Ltd.
97 Churchill Road
Prospect 5082
South Australia
Tel: 65.2366
Cable: HEWARD Adelaide

Hewlett Packard Australia
Pty. Ltd.
2nd Floor, Suite 13
Casablanca Buildings
196 Adelaide Terrace
Perth, W.A. 6000
Tel: 21-3330
Cable: HEWARD Perth

Hewlett-Packard Australia
Pty. Ltd.
10 Woolley Street
P.O. Box 191
Dickson A.C.T. 2602
Tel: 49-8194
Cable: HEWARD Canberra ACT

CEYLON
United Electricals Ltd.
P.O. Box 681
Yahala Building
Staples Street
Colombo 2
Tel: 5496
Cable: HOTPOINT Colombo

CYPRUS
Kyptronics
19 Gregorios & Xenopoulos Road
P.O. Box 1152
Nicosia
Tel: 6282-75628
Cable: HE-I-NAMI

ETHIOPIA
African Salespower & Agency
Private Ltd., Co.
P.O. Box 718
58/59 Cunningham St.
Addis Ababa
Tel: 12285
Cable: ASACO Addisababa

HONG KONG
Schmidt & Co. (Hong Kong) Ltd.
P.O. Box 297
1511, Prince's Building 15th Floor
10, Chater Road
Hong Kong
Tel: 240168, 232735
Cable: SCHMIDTCO Hong Kong

INDIA
Blue Star Ltd.
Kasturi Buildings
Jamshedji Tata Rd.
Bombay 20BR, India
Tel: 29 50 21
Telex: 2396
Cable: BLUEFROST

Blue Star Ltd.
Band Box House
Prabhadevi
Bombay 25DD, India
Tel: 45 73 01
Telex: 2396
Cable: BLUESTAR

Blue Star Ltd.
14/40 Civil Lines
Kanpur, India
Tel: 6 88 82
Cable: BLUESTAR

Blue Star Ltd.
7 Hare Street
P.O. Box 506
Calcutta 1, India
Tel: 23-0131
Telex: 655
Cable: BLUESTAR

Blue Star Ltd.
Blue Star House
34 Ring Road
Lajpat Nagar
New Delhi 24, India
Tel: 62 32 76
Telex: 463
Cable: BLUESTAR

Blue Star, Ltd.
96 Park Lane
Secunderabad 3, India
Tel: 7 63 91
Cable: BLUEFROST

Blue Star, Ltd.
23/24 Second Line Beach
Madras 1, India
Tel: 2 39 55
Telex: 379
Cable: BLUESTAR

Blue Star, Ltd.
1B Kaiser Bungalow
Dindli Road
Jamshedpur, India
Tel: 38 04
Cable: BLUESTAR

INDONESIA
Bah Dolon Trading Coy. N.V.
Djaloh Merdeka 29
Bandung
Tel: 4915 51560
Cable: ILMU
Telex: 809

IRAN
Telecom, Ltd.
P. O. Box 1812
240 Kh. Saba Shomali
Teheran
Tel: 43850, 48111
Cable: BASCOM Teheran

ISRAEL
Electronics & Engineering
Div. of Motorola Israel Ltd.
17 Aminadav Street
Tel-Aviv
Tel: 36941 (3 lines)
Cable: BASTEL Tel-Aviv
Telex: Bastei Tv 033-569

JAPAN
Yokogawa-Hewlett-Packard Ltd.
Nisei Ibaragi Bldg.
2-2-8 Kasuga
Ibaragi-Shi
Osaka
Tel: 23-1641

Yokogawa-Hewlett-Packard Ltd.
Ito Building
No. 59, Kotori-cho
Nakamura-ku, Nagoya City
Tel: 551-0215

Yokogawa-Hewlett-Packard Ltd.
Nitto Bldg.
2300 Shinohara-cho,
Kohoku-ku
Yokohama 222
Tel: (405) 432-1504/5

Yokogawa-Hewlett-Packard Ltd.
Obashi Building
59 Yoyogi 1-chrome
Shibuya-ku, Tokyo
Tel: 03-370-2281/7
Telex: 232-2024YHP
Cable: YHPMARKET TOK 23-724

KENYA
R. J. Tilbury Ltd.
P. O. Box 2754
Suite 517/518
Hotel Ambassador
Nairobi
Tel: 25670, 68206, 58196
Cable: ARJAYTEE Nairobi

KOREA
American Trading Co., Korea, Ltd.
P.O. Box 1103
7th & 8th Floors
Dae Kyung Bldg.
107 Sejong Ro
Chongro Ku
Seoul
Tel: 75-5841 (4 lines)
Cable: AMTRACO Seoul

LEBANON
Constantin E. Macridis
Clemenceau Street
P.O. Box 7213
Beirut
Tel: 220846
Cable: ELECTRONUCLEAR Beirut

MALAYSIA
MECOMB Malaysia Ltd.
2 Lorong 13/6A
Section 13
Petaling Jaya, Selangor
Cable: MECOMB Kuala Lumpur

MOZAMBIQUE
A. N. Gonçalves, LDA.
4.1 Apt. 14 Av. D. Luis
P.O. Box 107
Lourenco Marques
Cable: NEGON

NEW ZEALAND
Hewlett-Packard (N.Z.) Ltd.
32-34 Kent Terrace
P.O. Box 9443
Wellington, N.Z.
Tel: 56-559
Cable: HEWPACK Wellington

Hewlett Packard (N.Z.) Ltd.
Box 51092
Pukuranga
Tel: 573-733

PAKISTAN (EAST)
Mushko & Company, Ltd.
Zirat Chambers
31, Jinnah Avenue
Dacca
Tel: 280058
Cable: NEWDEAL Dacca

PAKISTAN (WEST)
Mushko & Company, Ltd.
Oosman Chambers
Victoria Road
Karachi 3
Tel: 511027, 512927
Cable: COOPERATOR Karachi

PHILIPPINES
Electromex Inc.
Makati Commercial Center
2129 Pasong Tamo
Makati, Rizal D 708
P.O. Box 1028
Manila
Tel: 89-85-01
Cable: ELEMEX Manila

SINGAPORE
Mechanical and Combustion
Engineering Company Ltd.
9, Jalan Kilang
Red Hill Industrial Estate
Singapore, 3
Tel: 642361-3
Cable: MECOMB Singapore

SOUTH AFRICA
Hewlett Packard South Africa
(Pty.), Ltd.
Breecastle House
Bree Street
Cape Town
Tel: 3-6019, 3-6545
Cable: HEWPACK Cape Town
Telex: 5-0006

Hewlett Packard South Africa
(Pty.), Ltd.
P.O. Box 31716
Braamfontein Transvaal
Milnerton
30 De Beer Street
Johannesburg
Tel: 724-4172, 724-4195
Telex: 0226 JH
Cable: HEWPACK Johannesburg

Hewlett Packard South Africa
(Pty.), Ltd.
30B Glenwood Centre
Corner Hunt & Moore Roads
Durban
P.O. Box 99
Overport, Natal
Tel: 347536

TAIWAN REP. OF CHINA
Hwa Sheng Electronic Co., Ltd.
P. O. Box 1558
Room 404
Chia Hsin Building
No. 96 Chung Shan
North Road, Sec. 2
Taipei
Tel: 555211 Ext. 532-539
Cable: VICTRONIX Taipei

TANZANIA
R. J. Tilbury Ltd.
P.O. Box 2754
Suite 517/518
Hotel Ambassador
Nairobi
Tel: 25670, 26803, 68206, 58196
Cable: ARJAYTEE Nairobi

THAILAND
The International
Engineering Co., Ltd.
P. O. Box 39
614 Sukhumvit Road
Bangkok
Tel: 510722 (7 lines)
Cable: GYSOM
TLX INTENCO BK-226 Bangkok

UGANDA
R. J. Tilbury Ltd.
P.O. Box 2754
Suite 517/518
Hotel Ambassador
Nairobi
Tel: 25670, 26803, 68206, 58196
Cable: ARJAYTEE Nairobi

VIETNAM
Peninsular Trading Inc.
P.O. Box H-3
216 Hien-Vuong
Saigon
Tel: 20.805
Cable: PENINSULA Saigon

ZAMBIA
R. J. Tilbury (Zambia) Ltd.
P.O. Box 2792
Lusaka
Zambia, Central Africa

FOR AREAS NOT LISTED, CONTACT:
Hewlett-Packard
INTERCONTINENTAL
3200 Hillview Ave.
Palo Alto, California 94304
Tel: (415) 326-7000
TWX: 910-373-1267
Cable: HEWPACK Palo Alto
Telex: 034-8461

CERTIFICATION

The Hewlett-Packard Company certifies that this instrument was thoroughly tested and inspected and found to meet its published specifications when it was shipped from the factory. The Hewlett-Packard Company further certifies that its calibration measurements are traceable to the U.S. National Bureau of Standards to the extent allowed by the Bureau's calibration facility.

WARRANTY AND ASSISTANCE

All Hewlett-Packard products are warranted against defects in materials and workmanship. This warranty applies for one year from the date of delivery, or, in the case of certain major components listed in the operating manual, for the specified period. We will repair or replace products which prove to be defective during the warranty period provided they are returned to Hewlett-Packard. No other warranty is expressed or implied. We are not liable for consequential damages.

Service contracts or customer assistance agreements are available for Hewlett-Packard products that require maintenance and repair on-site.

For any assistance, contact your nearest Hewlett-Packard Sales and Service Office. Addresses are provided at the back of this manual.

UPDATING SUPPLEMENT FOR OPERATING AND SERVICE MANUAL

14 OCT 1971

MANUAL IDENTIFICATION

Manual Serial No. Prefix: N/A
 Manual Printed: OCT 1970
 Manual Part Number: 12653-90002

SUPPLEMENT DESCRIPTION

The purpose of this supplement is to adapt the manual to instruments containing production improvements made subsequent to the printing of the manual and to correct manual errors. Enter the new information (or the Change Number, if more convenient) into the appropriate places in the manual, identified at left.

INSTRUMENT CHANGES

Serial No. Prefix	Change

ASSEMBLY CHANGES

Ref Des	Description	HP Part No.	Rev	Changes

Changes 1 through 13 dated 14 October 1971.

US-1

CHANGE**DESCRIPTION**

- 1 Title page. Change the computer model numbers to read, "(FOR 2100, 2114, 2115, AND 2116 COMPUTERS)".
- 2 Title page. Change the note to read as follows:
- Note
- This manual should be retained with the applicable computer system documentation.
- 3 Page 1-1, paragraph 1-4. Change line three to read, "... HP 2767A Line Printer with an HP 2100, 2114, 2115, or 2116 ...".
- 4 Page 2-1, paragraph 9, step "a". Change line three to read, "... interface card. Refer to the applicable Hewlett- ...".
- 5 Page 2-1, paragraph 9, step "g". Change the paragraph to read, "Run diagnostic test as described in the Diagnostic Program Procedures, part number 12653-90003 (for 2114, 2115, and 2116 Computers) or part number 12653-90008 (for 2100 Computers), in the Manual of Diagnostics to verify that the interface card is functioning properly."
- 6 Page 3-3, paragraph 3-20. Delete the word "phase" in the next to last line of the paragraph. Also, delete "(phase 4)" in the last line of the paragraph.
- 7 Page 3-3, paragraph 3-21. Delete the word "phase" in three places.
- 8 Page 3-3, paragraph 3-22. Change the second sentence by deleting the words "at time T1".
- 9 Page 3-3, figure 3-2. Make two deletions in the figure text as follows:
- a. At the lower-left of the figure, delete the word PHASE from the annotation symbol. The remaining text reads "IRQ FF SET AT T5 AND FLAG AND INTERRUPT REQUEST SIGNALS SENT TO COMPUTER TO START INTERRUPT".
 - b. At the lower center of the figure, delete the words PHASE (PHASE 4) from the annotation symbol. The remaining text reads "END OF COMPUTER INTERRUPT".
- 10 Page 4-1, paragraph 4-4. Change the first sentence to read "Detailed preventive maintenance procedures and schedules are provided in the applicable documentation for the computer."
- 11 Page 4-1, paragraph 4-6. Change the first sentence to read "The interface card may be checked using the Diagnostic Program Procedures, part no. 12653-90003 (for 2114, 2115, and 2116 Computers) or part no. 12653-90008 (for 2100 Computers), in the Manual of Diagnostics."
- 12 Page 4-3, figure 4-1. At the lower-center of the figure, delete the waveform diagram and add the following reference:
- "Refer to updating supplement change 12".
- 13 Figure US-1 of this updating supplement. A quick reference timing diagram is provided in figure US-1.

13
(Cont)

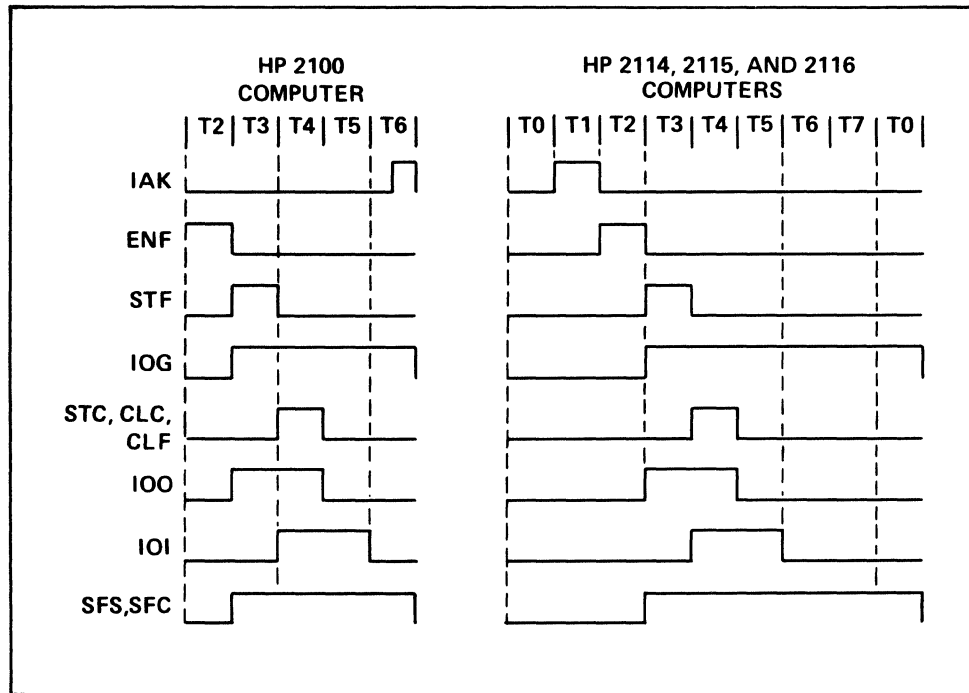


Figure US-1. Quick Reference Timing Diagram