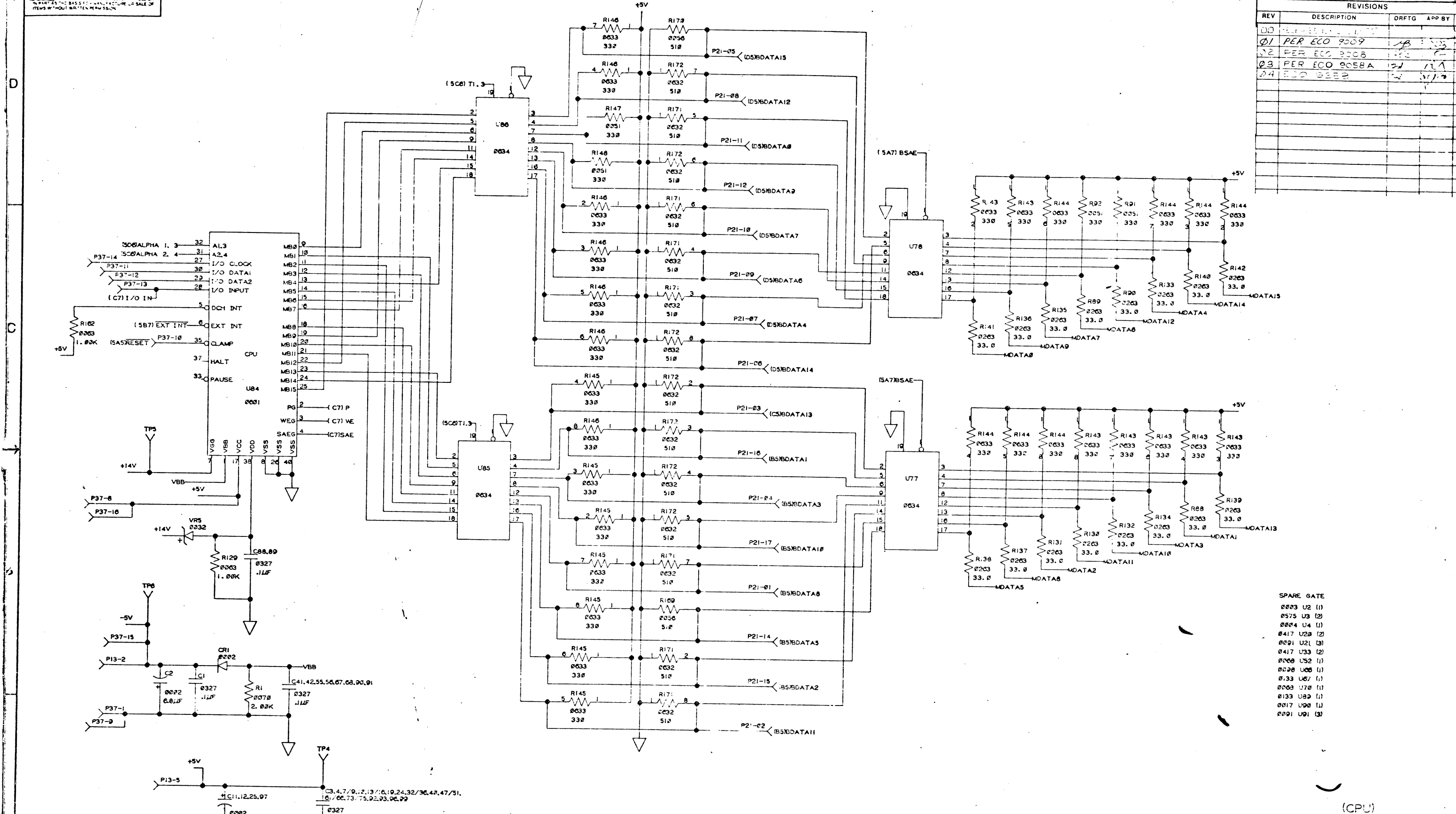


THIS DRAWING AND SPECIFICATIONS ARE THE PROPERTY OF DATA GENERAL CORPORATION AND SHALL REMAIN THE PROPERTY OF DATA GENERAL CORPORATION IN WHOLE OR IN PART. NO PART OF THIS DRAWING IS TO BE REPRODUCED OR TRANSMITTED IN ANY FORM OR BY ANY MEANS WITHOUT WRITTEN PERMISSION.

REVISIONS				
REV	DESCRIPTION	DRFTG	APP BY	DATE
00	PER ECO 9009			
01	PER ECO 9008			
02	PER ECO 9008			
03	PER ECO 9058A			
04	ECO 9058B			



- SPARE GATE
- 0003 U2 (1)
 - 0575 U3 (2)
 - 0604 U4 (1)
 - 0417 U2B (2)
 - 0091 U21 (3)
 - 0417 U33 (2)
 - 0008 U52 (1)
 - 0028 U06 (1)
 - 0133 U07 (1)
 - 0009 U78 (1)
 - 0133 U80 (1)
 - 0017 U90 (1)
 - 0091 U91 (3)

(CPU)

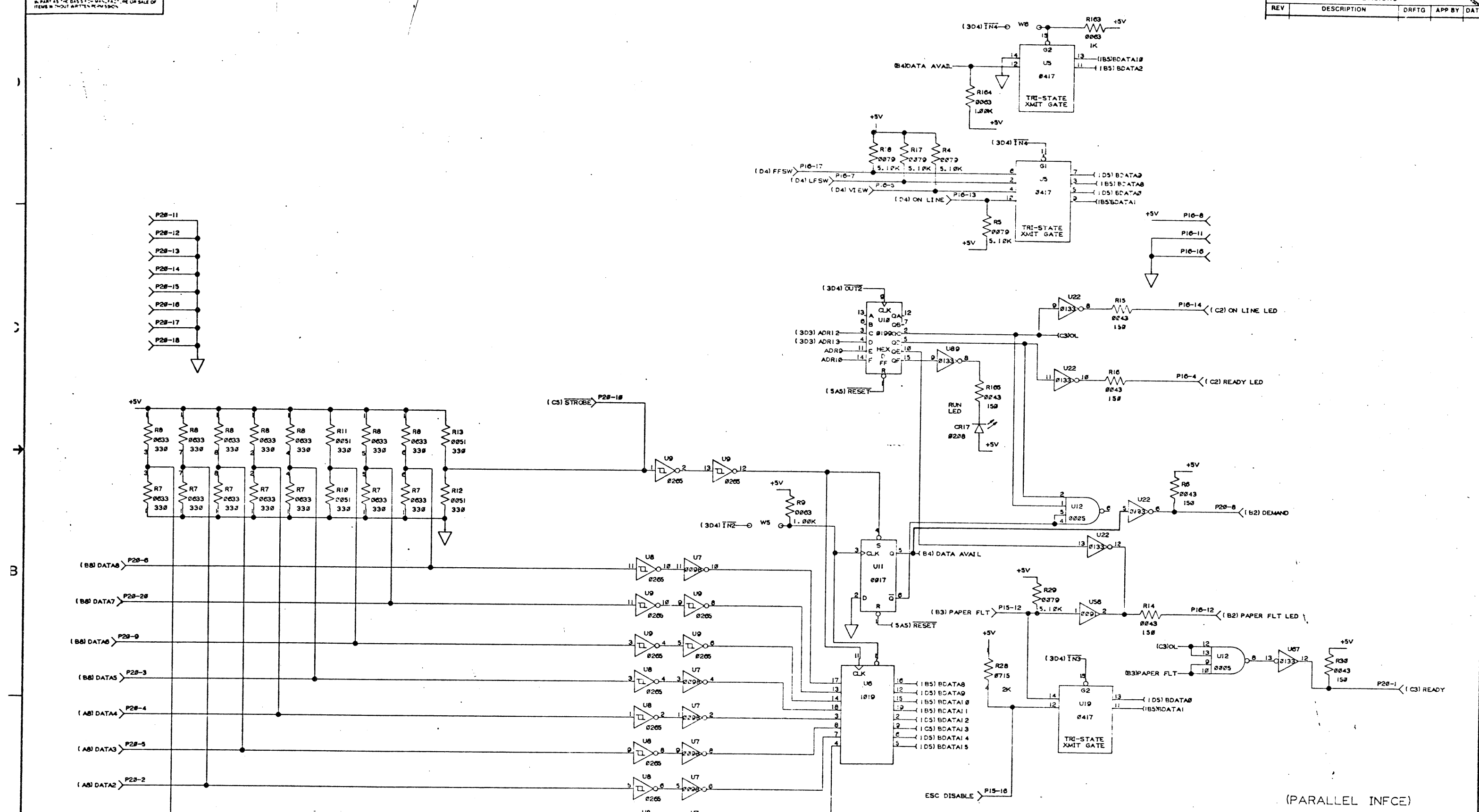
NOTE 1. R143, R144, R145, AND R146 ARE ALL 1/2-0233 RESISTOR NETWORKS
 2. U14/16 REQUIRE IC HEATSINKS C22-3057.
 3. U44/46, U61/63 REQUIRE IC SOCKETS III-0975.
 4. U33 REQUIRES IC SOCKET III-0676.
 5. U84 REQUIRES IC SOCKET III-0925.

15 SHEET
 1 OF 7

ARTWORK: 107 1367	DRAWN: 2-2-72	DATA GENERAL CORPORATION SOUTHBRIDGE, MASSACHUSETTS 01772
ARTWORK VS SCHEMATIC	CHECKED	
REV SCHEMATIC REVIS	ENGINEER	DASHER LP2 & TP2 PRT. CONTROL
00 00 01 02 03 04	APPROVED	
	FIRST USED ON	SIZE CODE D 001001693 04
	00513775 - U	
	00513777 - T	

THIS DRAWING AND SPECIFICATIONS HEREIN ARE THE PROPERTY OF DATA GENERAL CORPORATION AND SHALL NOT BE REPRODUCED OR TRANSMITTED IN ANY FORM OR BY ANY MEANS, ELECTRONIC OR MECHANICAL, INCLUDING PHOTOCOPYING, RECORDING, OR BY ANY INFORMATION STORAGE AND RETRIEVAL SYSTEM, WITHOUT WRITTEN PERMISSION.

REVISIONS			
REV	DESCRIPTION	DRFTG	APP BY DATE



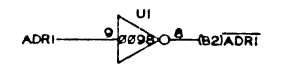
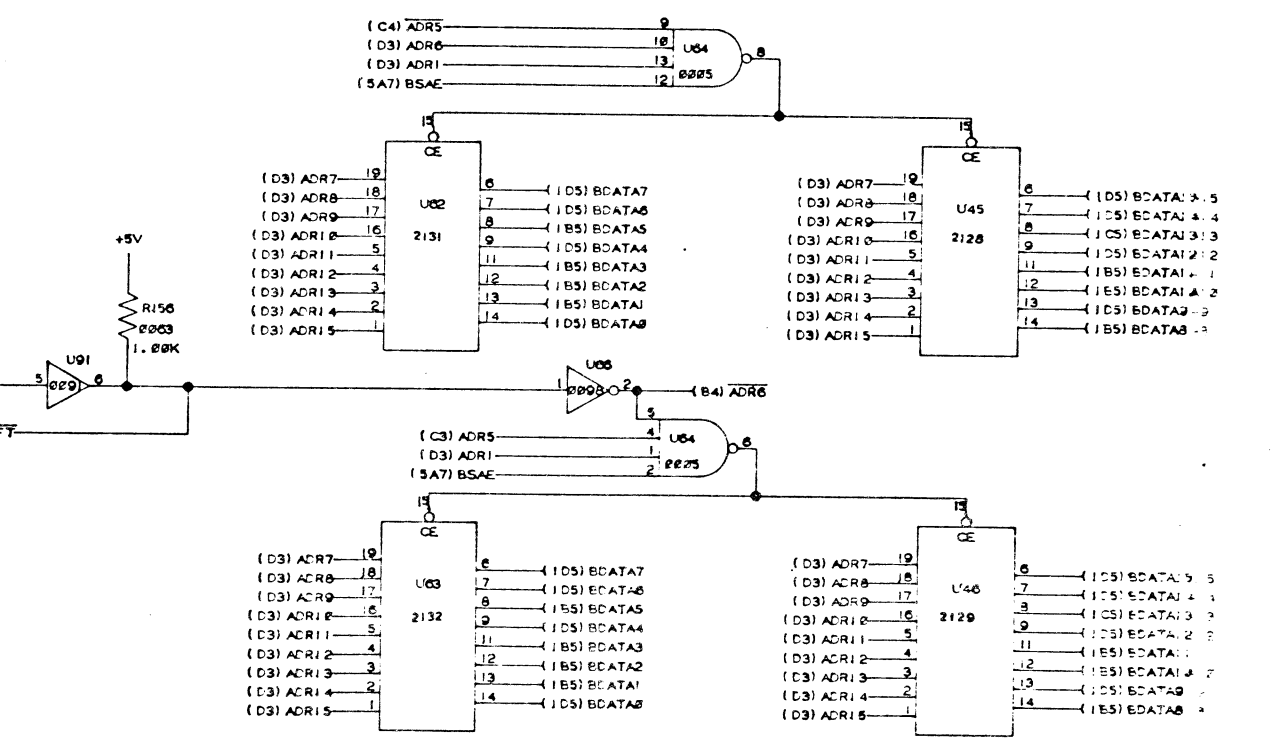
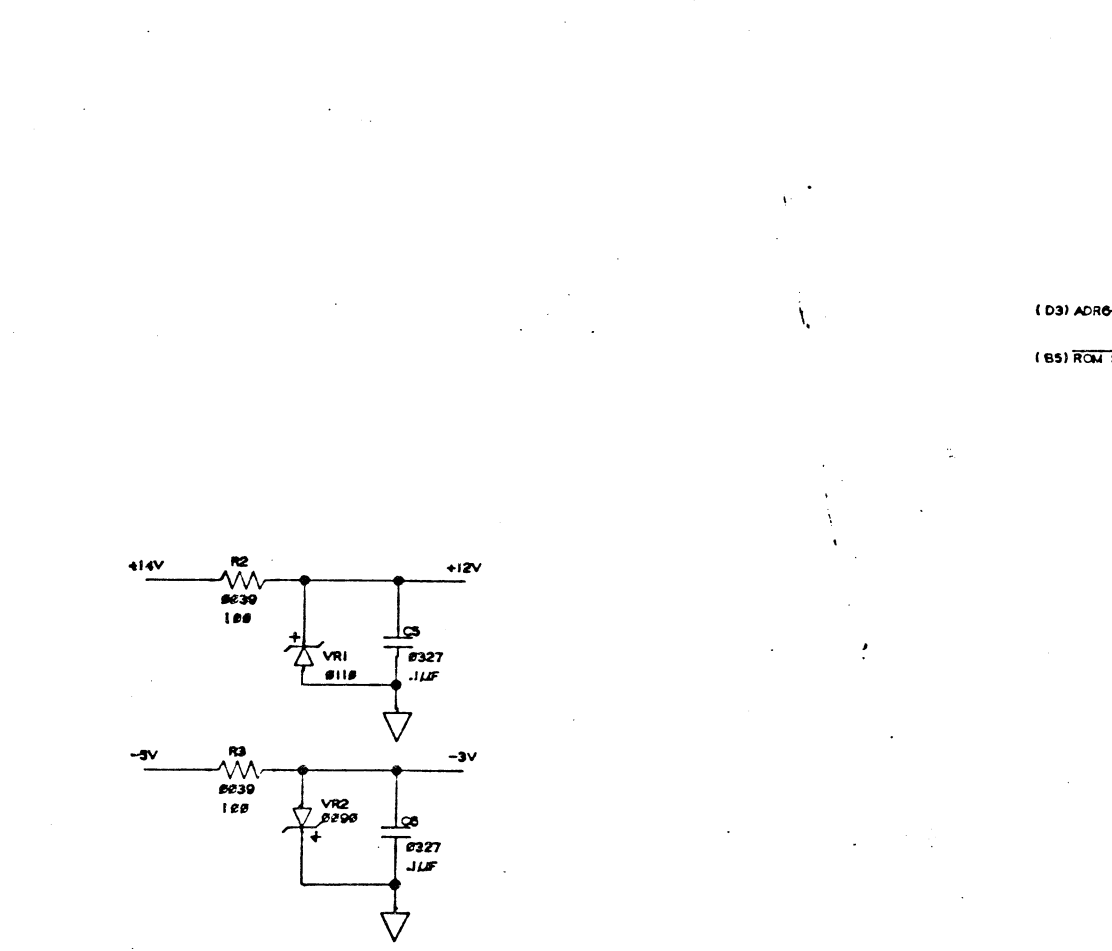
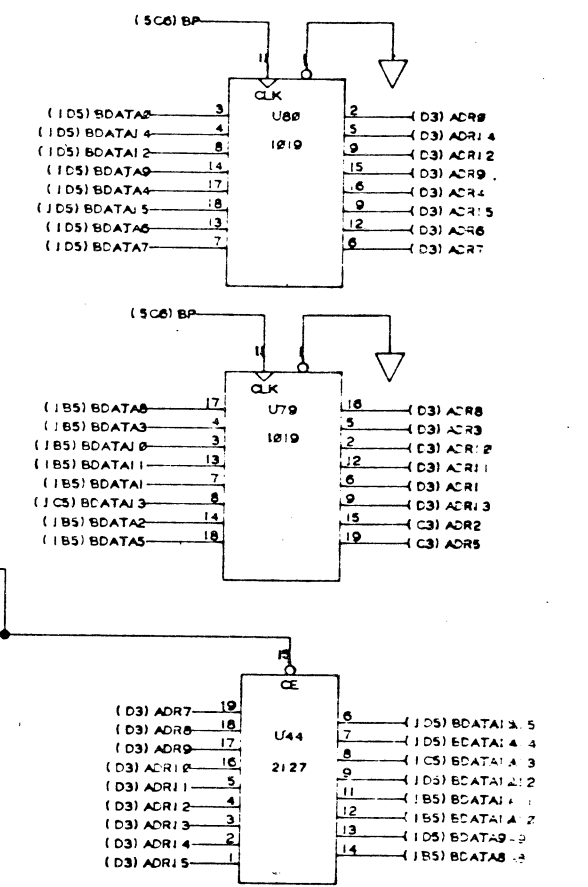
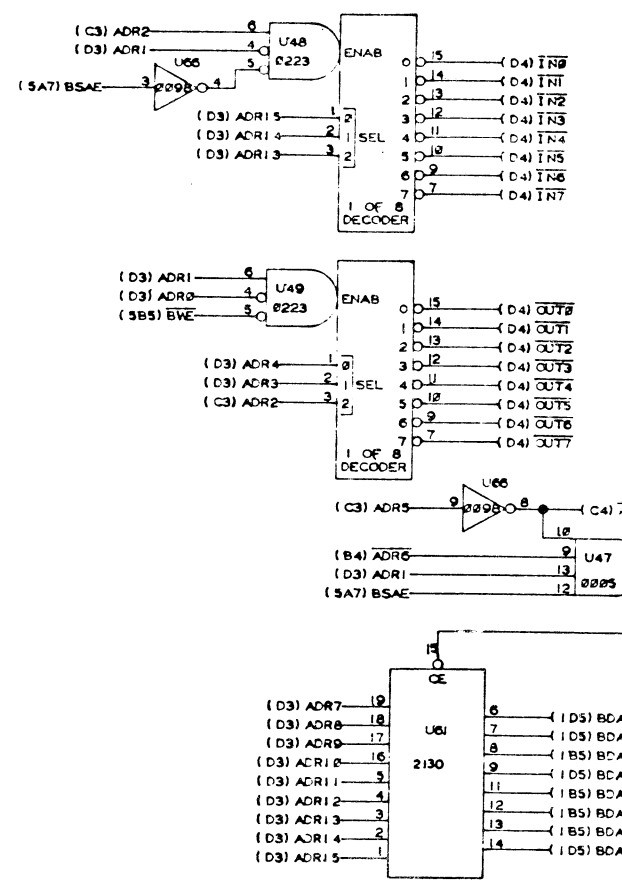
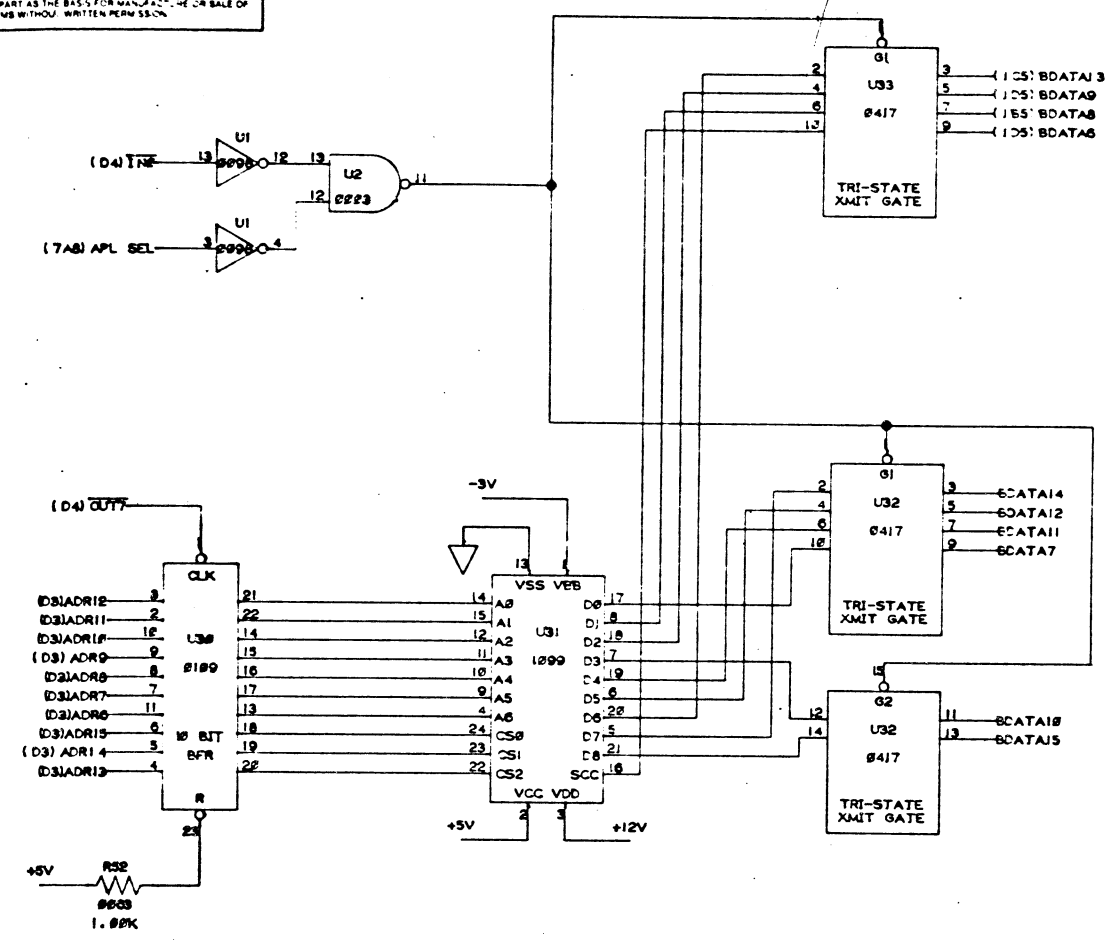
(PARALLEL INFCE)

1 SHEET
2 OF 7

DRAWN		DATA GENERAL CORPORATION SOUTH-BORO, MASSACHUSETTS 01112 TITLE DASHER LP2 & TP2 PRT. CONTROL
CHECKED		
ENGINEER		
APPROVED		
FIRST USED ON		
SIZE	CODE	D 001001693

PROPERTY OF DATA GENERAL CORPORATION AND SHALL NOT BE REPRODUCED OR COPIED IN WHOLE OR IN PART AS THE BASIS FOR MANUFACTURE OR SALE OF ITEMS WITHOUT WRITTEN PERMISSION.

REVISIONS			
REV	DESCRIPTION	DRFTG	APP BY DATE



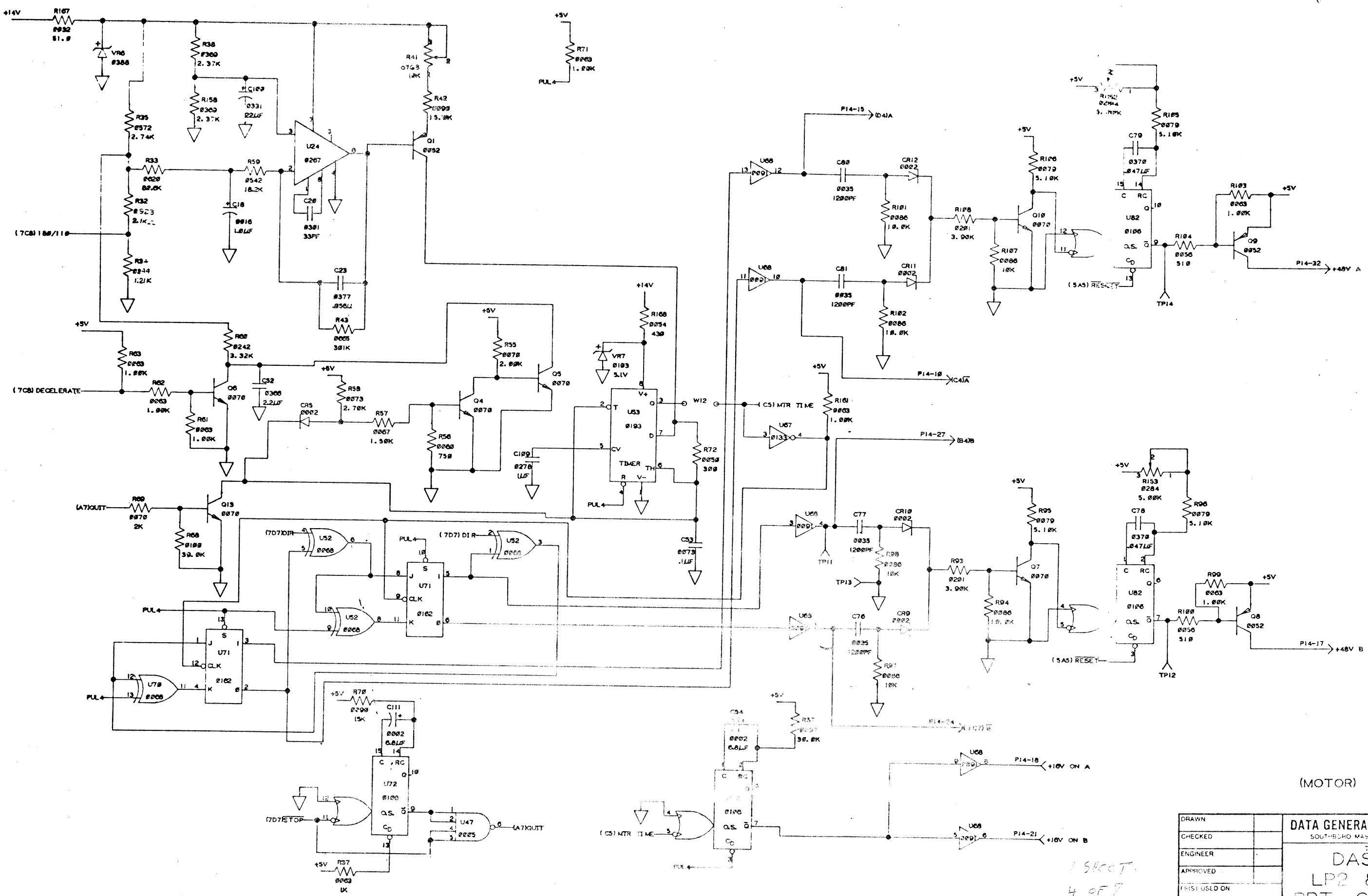
(CHARGEN/ROM.)

DRAWN		DATA GENERAL CORPORATION SOUTHBORO, MASSACHUSETTS 01772 TITLE DASHER LP2 & TP2 PRT. CONTROL
CHECKED		
ENGINEER		
APPROVED		
FIRST USED ON		
SIZE	CODE	0010001693 07

1 SHEET
3 OF 7

THIS DRAWING AND SPECIFICATIONS HEREIN ARE THE PROPERTY OF DATA GENERAL CORPORATION AND SHALL NOT BE REPRODUCED OR TRANSMITTED IN ANY FORM OR BY ANY MEANS, ELECTRONIC OR MECHANICAL, INCLUDING PHOTOCOPYING, RECORDING, OR BY ANY INFORMATION STORAGE AND RETRIEVAL SYSTEM, WITHOUT WRITTEN PERMISSION.

REV	DATE	DRFTG	APP'D	DATE
-----	------	-------	-------	------



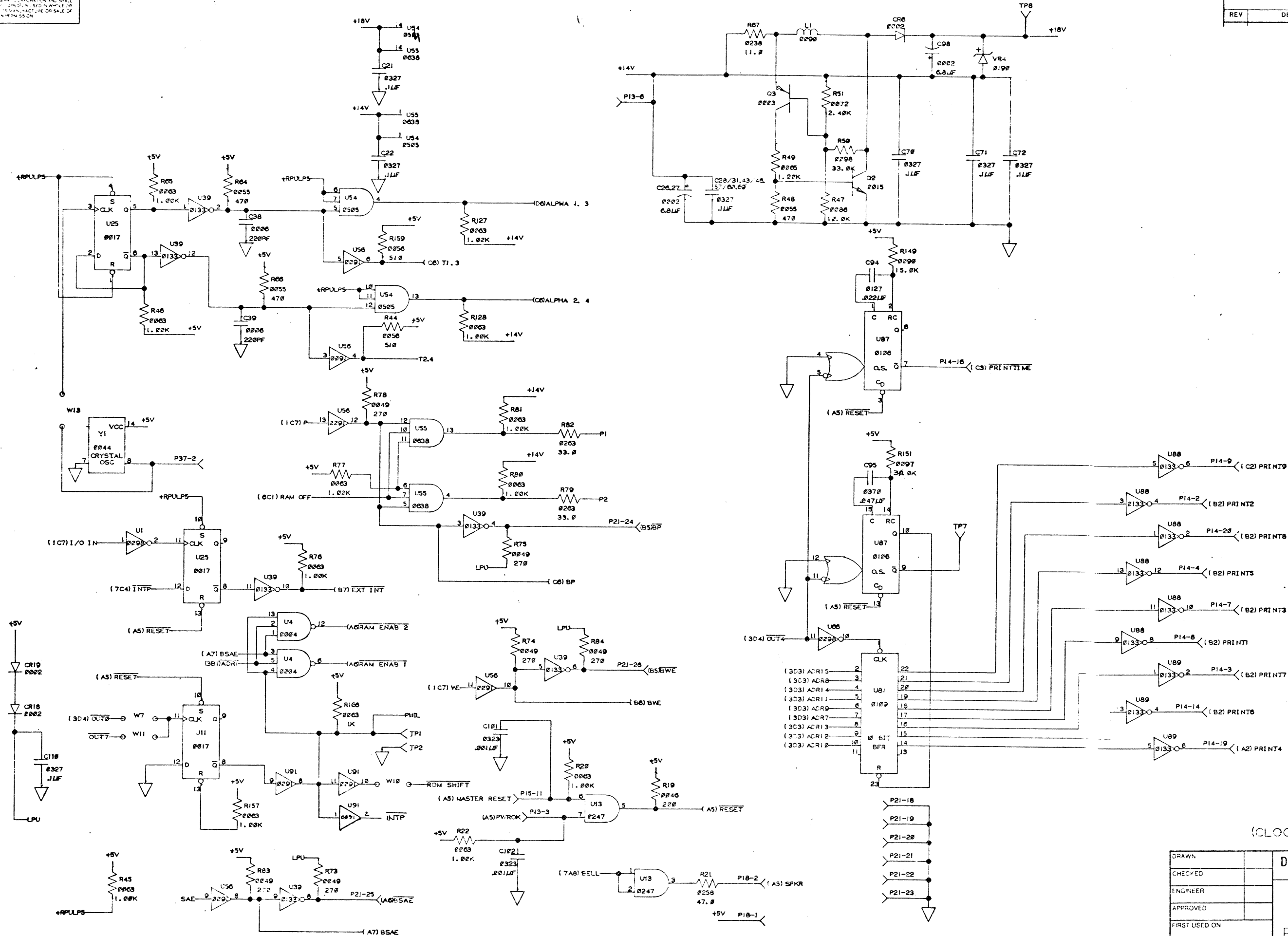
(MOTOR) 4-F7

1 sheet
4 of 7

DRAWN		DATA GENERAL CORPORATION SOUTH BORO, MASSACHUSETTS 01772 TITLE DASHER LP2 & TP2 PRINT. CONTROL
CHECKED		
ENGINEER		
APPROVED		
FIRST USED ON		

971 CODE 001001693

THIS DRAWING AND SPECIFICATION ARE THE PROPERTY OF DATA GENERAL CORPORATION AND SHALL NOT BE REPRODUCED OR TRANSMITTED IN ANY FORM OR BY ANY MEANS, ELECTRONIC OR MECHANICAL, INCLUDING PHOTOCOPYING, RECORDING, OR BY ANY INFORMATION STORAGE AND RETRIEVAL SYSTEM, WITHOUT THE WRITTEN PERMISSION OF DATA GENERAL CORPORATION.

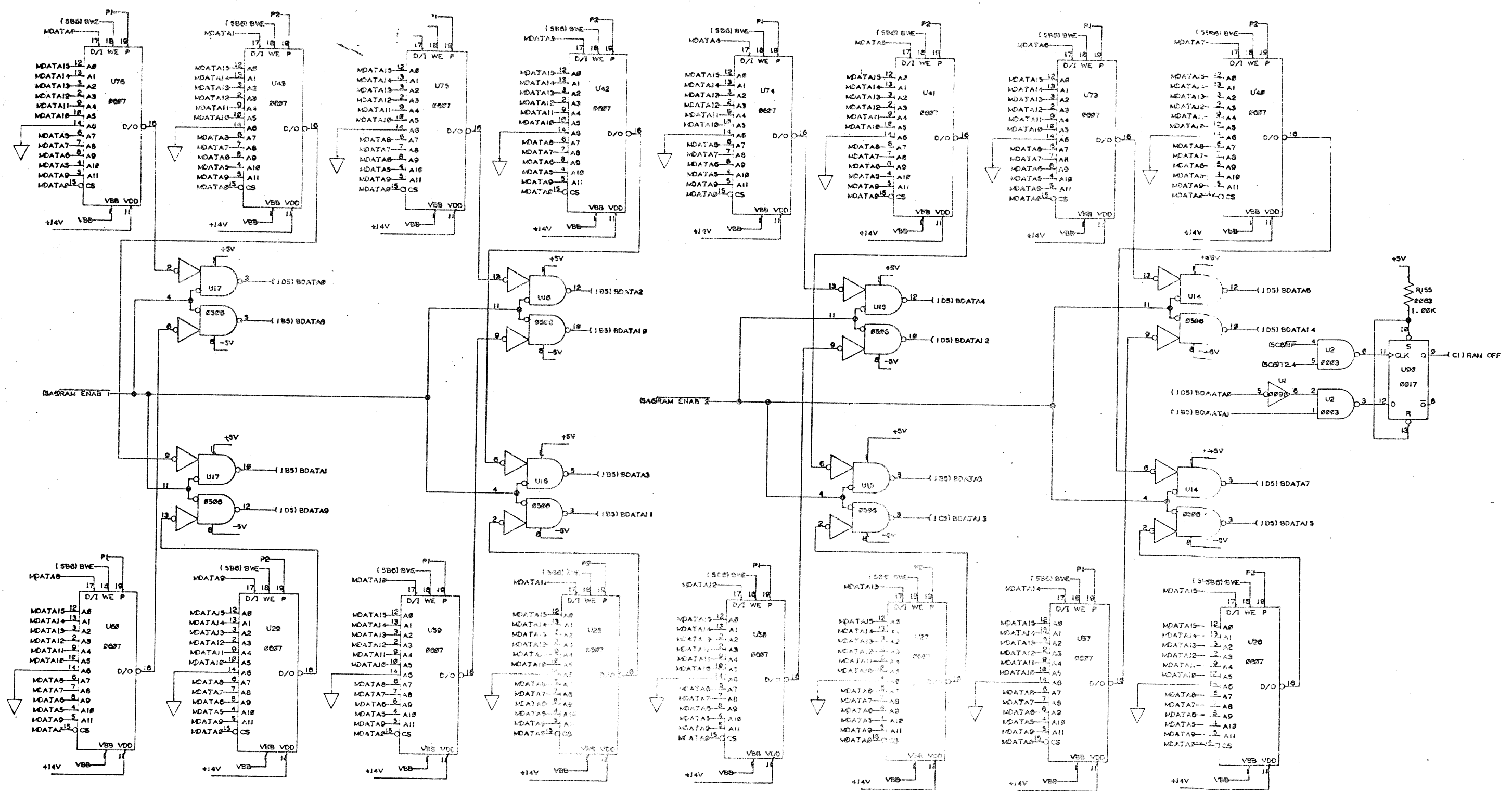


SHEET 5 of 7
(CLOCK/PRINT)

DRAWN		DATA GENERAL CORPORATION SOUTH-BORO MASSACHUSETTS 01772 TITLE DASHER LP2 & TP2 PRT. CONTROL
CHECKED		
ENGINEER		
APPROVED		
FIRST USED ON		SIZE CODE D 001001693 04

ALL RIGHTS AND SPECIFICATIONS HEREIN ARE THE PROPERTY OF DATA GENERAL CORPORATION AND SHALL BE REPRODUCED OR COPIED IN WHOLE OR IN PART AS THE BASIS FOR MANUFACTURE OR SALE OF ITEMS WITHOUT WRITTEN PERMISSION

REV	DESCRIPTION	DATE	APP BY



(RAM) 6 of 7

Page 6 of 7

DRAWN		DATA GENERAL CORPORATION SOLUTIONS MASSACHUSETTS 01922 TITLE DASHER LP2 & TP2 PRT. CONTROL SIZE CODE DRAWING NUMBER BY D 001001693 04
CHECKED		
ENGINEER		
APPROVED		
FIRST USED ON		

THIS DRAWING AND SPECIFICATIONS, HEREIN, ARE THE PROPERTY OF DATA GENERAL CORPORATION AND SHALL NOT BE REPRODUCED OR COPIED OR USED IN WHOLE OR IN PART BY THE BIDDOR FOR MANUFACTURE OR SALE OF ITEMS WITHOUT WRITTEN PERMISSION.

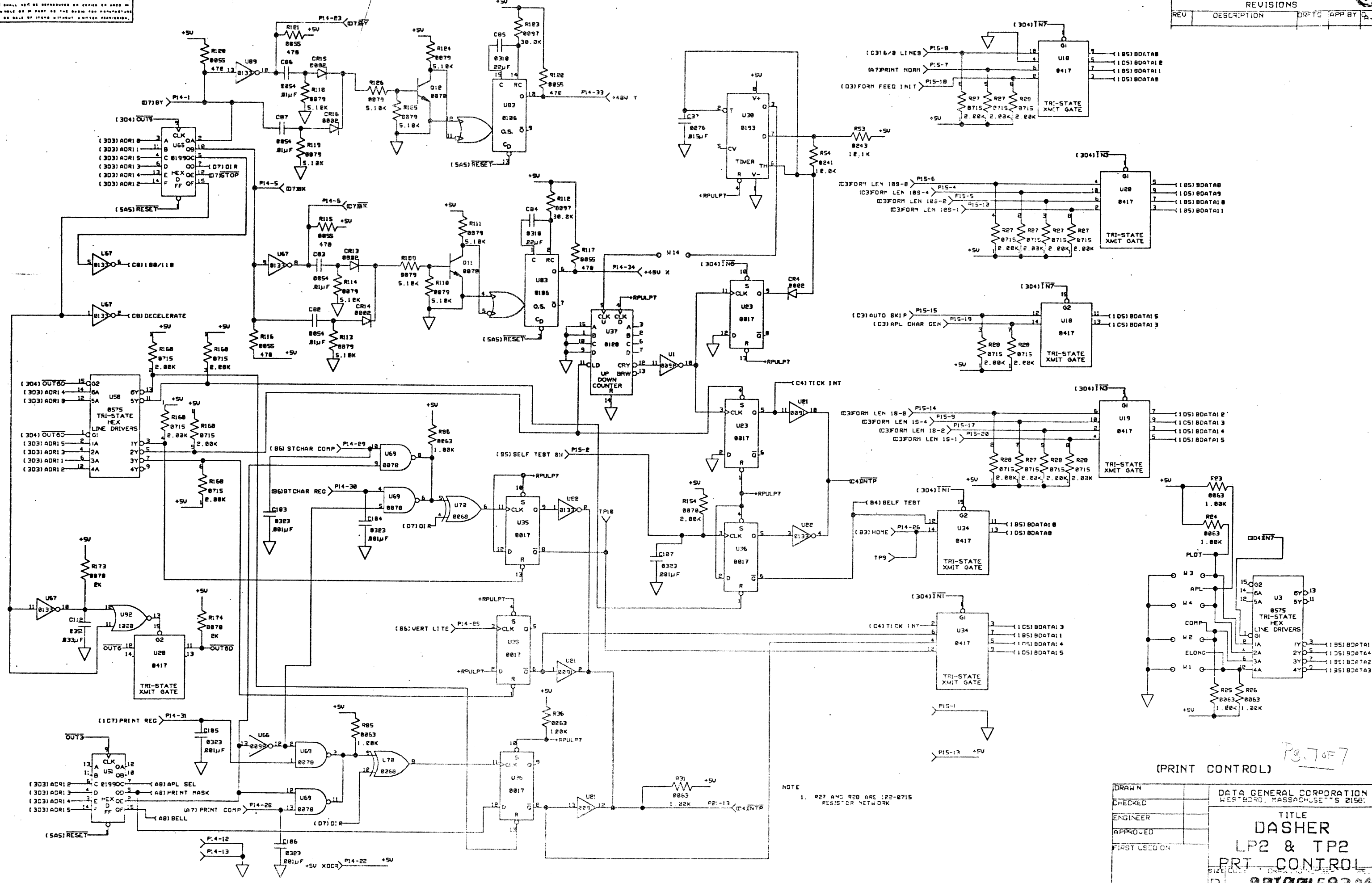
REV	DESCRIPTION	DATE	APP BY

D

C

B

A



(PRINT CONTROL)

NOTE
1. R27 AND R28 ARE 122-0715 RESISTOR NETWORK

DRAWN	DATA GENERAL CORPORATION
CHECKED	WESTBORO, MASSACHUSETTS 01581
ENGINEER	TITLE
APPROVED	DASHER
FIRST USED ON	LP2 & TP2
	PRT CONTROL

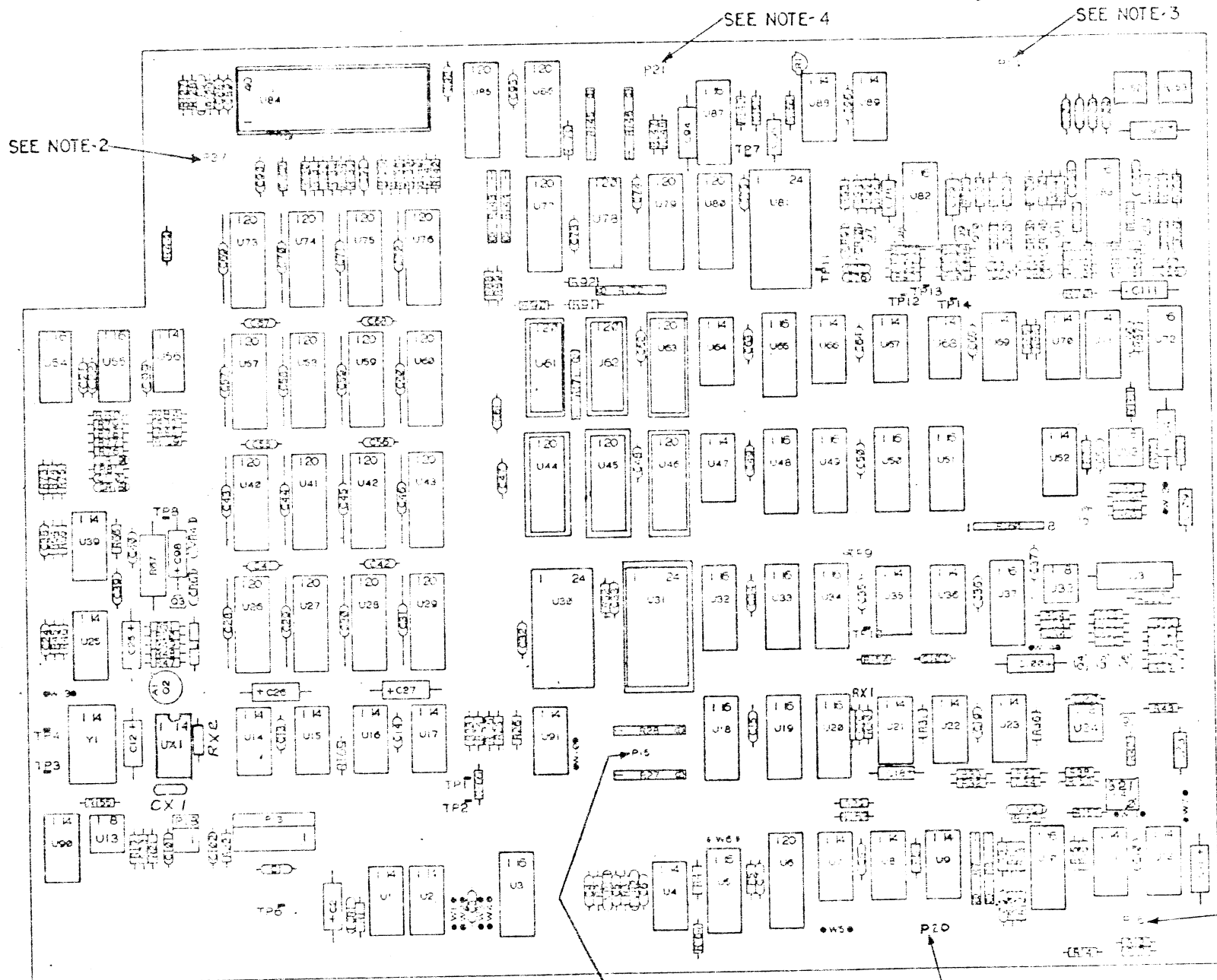
SIZE CODE: 00100169304

PG. 7 OF 7

THIS DRAWING AND SPECIFICATIONS HEREON ARE THE PROPERTY OF DATA GENERAL CORPORATION. IT IS TO BE USED ONLY FOR THE MANUFACTURE OF ITEMS SPECIFICALLY IDENTIFIED HEREON. IT IS NOT TO BE REPRODUCED OR COPIED IN ANY MANNER OR IN PART AS THE BASIS FOR MANUFACTURE OR SALE OF ITEMS WITHOUT WRITTEN PERMISSION.

REVISIONS				
REV	DESCRIPTION	ORIG	APP'D BY	DATE
00	REL'D PER ECO E475	RW		7-79
01	PER ECO 8008	RW		7-79
02	PER ECO 9058A	RW		7-79

D
C
B
A



SEE NOTE-2

SEE NOTE-4

SEE NOTE-3

- NOTES
1. P15 P16 P20-III-0209'S QTY 20
 2. P37-III-0209'S - QTY 16
 3. P14-III-0209'S - QTY 34
 4. P21-III-0209'S - QTY 26
 5. ALL TPs -III-0209

107001367-00
003001367-03

NOTE1 HEATSINKS REQUIRED FOR U14,U15,U16,U17

SEE NOTE-1

SEE NOTE-1

SEE NOTE-1

ITEM	QTY	DESCRIPTION	PART NO
DO NOT SCALE DRAWING UNLESS OTHERWISE SPECIFIED USE E.I.D. SPECIFICATION 10-000004 FOR DIMENSIONS AND WORKMANSHIP REQUIREMENTS			
DRAWN <i>[Signature]</i>		2-079	DATA GENERAL CORPORATION WESTBORO, MASS. 01581
CHECKED <i>[Signature]</i>			
DESIGNED <i>[Signature]</i>			TITLE IPL
FIRST 003001367-U			PRINTER CONTROL
DATE 003001367-T			
MATERIAL			
FINISH			
EQUIPMENT		SIZE	SCALE
		C 016	000372

107001367-00

4

3

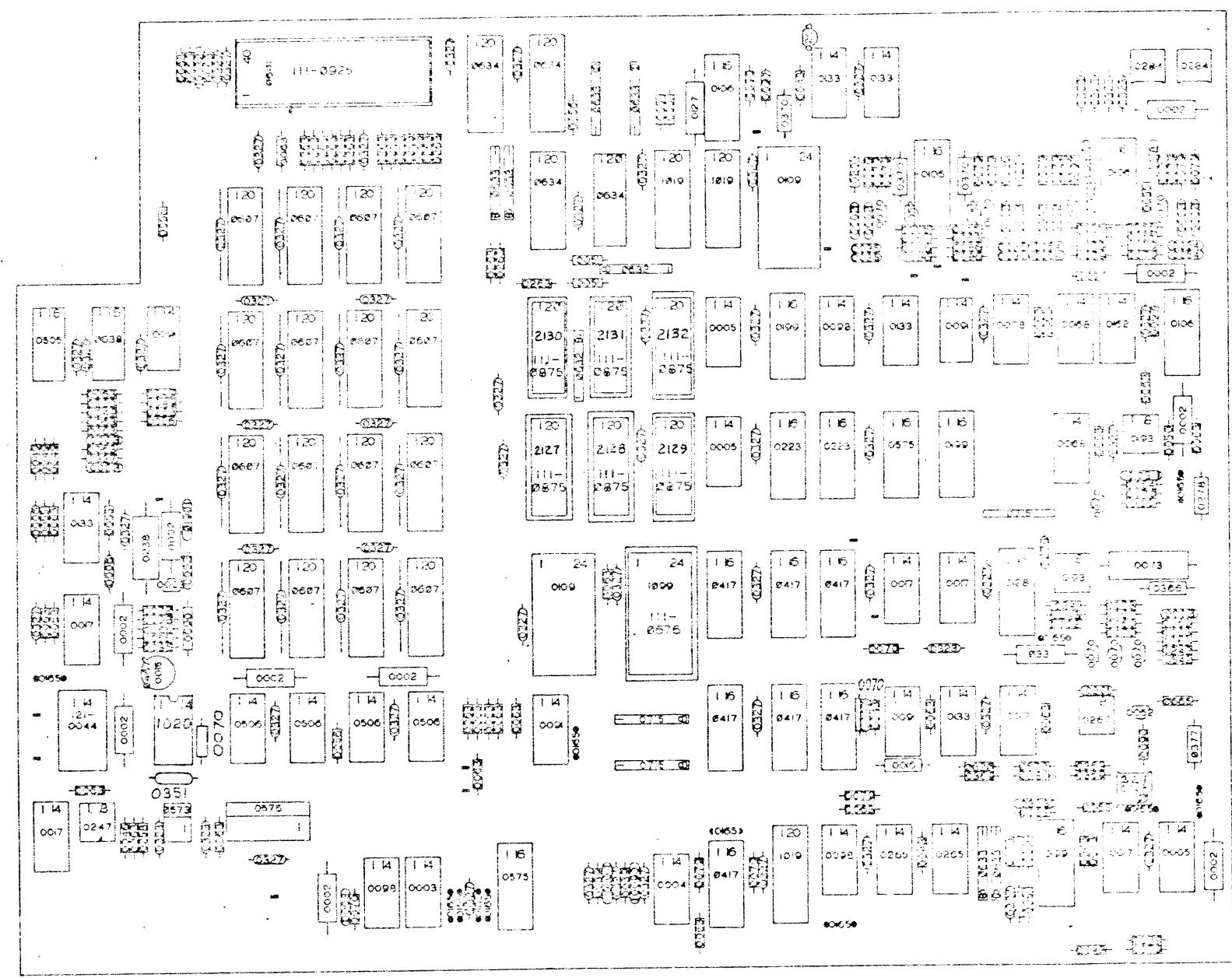
2

1 SHEET 1 OF 2

THIS DRAWING AND SPECIFICATIONS HEREIN ARE THE PROPERTY OF DATA GENERAL CORPORATION AND SHALL NOT BE REPRODUCED OR TRANSMITTED IN ANY FORM OR BY ANY MEANS, ELECTRONIC OR MECHANICAL, INCLUDING PHOTOCOPYING, RECORDING, OR BY ANY INFORMATION STORAGE AND RETRIEVAL SYSTEM, WITHOUT THE WRITTEN PERMISSION OF DATA GENERAL CORPORATION.

REV	DESCRIPTION	DATE	APP BY	DATE
1				

D
C
B
A



NOTE: HEATSINKS REQUIRED FOR U14,U15,U16,U17

20300136700
LAYER 9
HI DENSITY

ITEM	QTY	DESCRIPTION	PART NO
DO NOT SCALE DRAWING UNLESS OTHERWISE SPECIFIED USE D & D SPECIFICATION 1/8" PITCH FOR TOLERANCE AND WORKMANSHIP REQUIREMENTS		DRAWN CHECKED	DATA GENERAL CORPORATION WESTBORO, MASS. 01581
MATERIAL		ENGINEER	
FINISH		APPROVED	TITLE IPL
		FIRST USED ON	PRINTER CONTROL
		SCALE	DATE
		CODE	REV
		000972	02

DRAWING NO. 000972