

DEC-11-HR4B-D

KL11
teletype control
engineering drawings

DIGITAL EQUIPMENT CORPORATION • MAYNARD, MASSACHUSETTS

1st Edition March 1971

KL11 Teletype Control

A-ML-KL11-A	1	Master List
A-PL-KL11-0-0	1	Teletype Control
C-DI-KL11-0-1	1	Drawing Index
D-CS-M780-0-1	4	Teletype Transmitter & Receiver
D-BS-KL11-0-2	1	Device Control
C-CS-M105-0-1	1	Address Selector
D-CS-M782-0-1	1	Interrupt Control
D-MU-KL11-0-MU	1	Module Utilization
A-PL-KL11-0-MU	1	Module Utilization (parts list)
D-TD-KL11-0-6	1	M780 Receiver Timing
D-TD-KL11-0-4	1	M780 Transmitter Timing
D-AR-KL11-0-5	1	Option Arrangement

Copyright © by Digital Equipment Corporation

The material in this manual is for information purposes and is subject to change without notice.

The following are trademarks of Digital Equipment Corporation, Maynard, Massachusetts:

DEC	PDP
FLIP CHIP	FOCAL
DIGITAL	COMPUTER LAB
UNIBUS	

This drawing and specifications, herein, are the property of Digital Equipment Corporation and shall not be reproduced or copied or used in whole or in part as the basis for the manufacture or sale of items without written permission.

MASTER DRAWING LIST

DWG. NO.	REV. LET.	NO. OF SHEETS	TITLE
A-PL-KL11-0-0	A	1	TELETYPE CONTROL
C-DI-KL11-0-1	B	1	DRAWING INDEX
D-BS-KL11-0-2		1	DEVICE CONTROL
D-MU-KL11-0-MU	A	1	MODULE UTILIZATION
A-PL-KL11-0-MU	A	1	MODULE UTILIZATION
D-TD-KL11-0-6	A	2	M780 RECEIVER TIMING
D-TD-KL11-0-4	A	2	M780 TRANSMITTER TIMING
D-AR-KL11-0-5	A	1	OPTION ARRANGEMENT
A-SP-KL11-0-7	A	3	KL11 ADJUSTMENT PROCEDURE
A-SP-KL11-0-8		5	KL11 TEST PROCEDURE

REVISIONS				DRN.	DATE	digital	EQUIPMENT CORPORATION
REV.	DATE	CHG. NO.	APP'D.	CHK'D.	DATE		
A	6/70	00001	T.D.	MARCOTTE	4/10/70	TITLE TELETYPE CONTROL	
B	11/70	00002	P.J.	PFYFFER	5/4/70		
C	12/70	00003	D.C.	ENG.	5/1/70		
				PROJ. ENG.	5/1/70		
				PROD.	5/1/70		
FIRST USED ON						SIZE	CODE
PDP11						A	ML
SCALE NONE						NUMBER	
						KL11-A	
SHEET 1 OF 2						REV.	
						C	

DEC FORM NO.16-1033
DRA 103

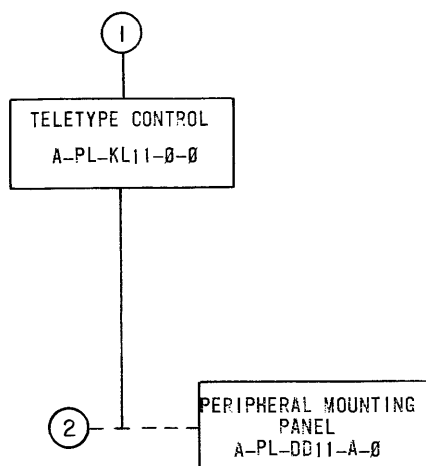
ADDITIONAL CUSTOMER PRINTS

Drawing Number	Rev. Let.	Title
D-CS-M780-0-1	F	TTY TRANSMITTER & RECIEVER
C-CS-M105-0-1	B	ADDRESS SELECTION
D-CS-M782-0-1	D	INTERRUPT CONTROL

Rev.	Date	Change Number	
			Requested by _____ Date _____
			Authorized by _____ Date _____
			2 OF 2 KL11-A REV. C

This drawing and specifications, herein, are the property of Digital Equipment Corporation and shall not be reproduced or copied or used in whole or in part as the basis for the manufacture or sale of items without written permission.

D
C
B
A



MECHANICAL				USAGE		ELECTRICAL				USAGE	
FIND NO.	DESCRIPTION	PART NO.	PROD	CUST	FC	FIND NO.	DESCRIPTION	PART NO.	PROD	CUST	FC
1	TELETYPE CONTROL MODULE HOLDER	A-PL-KL11-0-0 C-SC-1209856-0-01				1.	TELETYPE CONTROL KLII CONTROL (A) DEVICE CONTROL M780 TRANSMITTER TIMING M780 RECEIVER TIMING MODULE UTILIZATION MODULE UTILIZATION TEST PROCEDURE TEST PROCEDURE TELETYPE CONTROL (B) TELETYPE CONTROL (C) TELETYPE CONTROL (D) TELETYPE CONTROL (E) TELETYPE CONTROL (F) KLII CONTROL (B) KLII CONTROL (C) KLII CONTROL (D) KLII CONTROL (E) KLII CONTROL (F)	A-ML-KL11-A D-CS-M780-0-1 D-BS-KL11-0-2 D-TD-KL11-0-4 D-TD-KL11-0-6 D-MU-KL11-0-MU A-PL-KL11-0-MU A-SP-KL11-0-7 A-SP-KL11-0-8 A-ML-KL11-B A-ML-KL11-C A-ML-KL11-D A-ML-KL11-E A-ML-KL11-F D-CS-M780YB-0-1 D-CS-M780YC-0-1 D-CS-M780YD-0-1 D-CS-M780YE-0-1 D-CS-M780YF-0-1			
2.	PERIPHERAL MOUNTING PANEL DRAWING INDEX	A-PL-DD11-A-0 C-D1-DD11-A-1									

D
C
B
A

REV. B
NUMBER KLII-0-1
SIZE CODE CDI

REVISIONS		REV.
CHK	CHANGE NO.	A
FV	KLII-00002	
JANSON		
12-3-70		
FV	KLII-00003	B
JANSON		
1-8-71		
JANSON		
4-4-71		

FIRST USED ON OPTION/MODEL PDP11	QTY.	DESCRIPTION	PART NO.	ITEM NO.
PARTS LIST				
UNLESS OTHERWISE SPECIFIED	DRN. <i>S. Moratto</i>	DATE 4-14-70	digital EQUIPMENT CORPORATION MAYNARD, MASSACHUSETTS	
UNLESS OTHERWISE SPECIFIED	CHK'D. <i>R. E. Janson</i>	DATE 5-6-70	TITLE	
TOLERANCES	ENG. <i>R. E. Janson</i>	DATE 5/7/70	DRAWING INDEX	
DECIMALS ± .005	PROJ. ENG. <i>R. E. Janson</i>	DATE 5/7/70	SIZE CODE	
FRACTIONS ± 1/64	PROD. <i>MacDonald</i>	DATE 5/7/70	NUMBER	
ANGLES ± 0°30'	MATERIAL		REV. B	
FINAL SURFACE QUALITY	FINISH		CDI KLII-0-1	
REMOVE BURRS AND BREAK SHARP CORNERS			DIST. 6	
			SHEET 1 OF 1	

This drawing and specifications, herein, are the property of Digital Equipment Corporation and shall not be reproduced or copied or used in whole or in part as the basis for the manufacture or sale of items without written permission.

PARTS REFERENCE

ITEM NO	DRAWING REFERENCE	DESCRIPTION	PART NUMBER	QUANTITY
1	E1, E7, E13	DEC 380	IC 1809485	3
2	E2, E6, E12, E15, E26, E27, E32, E34	DEC 7474	IC 1805547	8
3	E3, E9, E20, E31	DEC 8271	IC 1809615	4
4	E4, E16, E21, E25	DEC 7400	IC 1805575	4
5	E6, E28, E33	DEC 7402	IC 1809004	3
6	E8, E18, E19, E29	DEC 8881	IC 1809705	4
7	E10	DEC 8815	IC 1809713	1
8	E11	DEC 7420	IC 1805577	1
9	E14, E24	DEC 74H11	IC 1809267	2
10	E17, E22	DEC 9601	IC 1809373	2
11	E23	IC SOCKET	1209838	1
12	E30	DEC 7440	IC 1805579	1
13	C1, C8	1005 MFD 100 V 20%	CAP 1001765	2
14	C2, C3, C9	.5 MFD 100V 2%	CAP 1009671	3
15	C4, C10	39 MFD 10V 10%	CAP 1000076	2
16	C21	1000 PFD 100V 5%	CAP 1000042	1
17	C6, C28, C29	1.0 MFD 35V 10%	CAP 1001776	3
18	C7, C11, C12, C20, C22-C27	.01 MFD 100V 20%	CAP 1001610	18
19	R1, R7, R21	1000 1/4W 5%	RES 1300365	3
20	R2, R14	21.5K 1/8W 1%	RES 1303155	2
21	R3, R13	1.96K 1/8W 1%	RES 1304833	2
22	R4, R12	10K POT .75W 76PR	RES 1309143-10	2
23	R17	470 1/4W 5%	RES 1300216	2
24	R7, R19	390 1/4W 5%	RES 1300309	2
25	R8, R11	750 1/4W 5%	RES 1301401	2
26	R9	120 1/2W 5%	RES 1300243	1
27	R10, R6, R16, R18	270 1/4W 5%	RES 1301972	4
28	R15, R18, R6	220 1/4W 5%	RES 1300271	3
29	R20, R15, R22, R23	75 1/4W 5%	RES 1302379	4
30	Q1	DEC 30095	TRANS 1303100	1
31	Q2	DEC 65340	TRANS 1303409-00	1
32	D1-D11	D664	DIODE 1100114	11
33	J1, J2	INSULATED JUMPER		2
34	PI	CONNECTOR (PIN HOUSING)	1209340	1
35	(PI)	PIN CONTACT	1209456	8
37	E23 INSERT	PRIORITY JUMPER LEVEL #4	5408776	REF
38	E35	DEC 74 N 80N	IC 1809866	1
39	C5, C11	330 PFD 100V 5%	CAP 10-00023	2
40	R22	100 1/4W 5%	RES 1300228	1
41	R5	68 1/2W 10%	RES 13-00220	1

NOTES

- PIN NOTATION THROUGHOUT IS ORDERED UPON MODULE PLACEMENT IN THE OPTION, MODULE REFERENCE ALONE IS OBTAINED BY DELETING THE NUMBER (SLOT LOCATION) AFTER THE FIRST LETTER, AND CONVERTING THE FIRST LETTER ACCORDING TO THE PIN NOMENCLATURE CHART AT RIGHT.
- DETAILS ON COMPONENTS ARE NOTED IN THE PARTS REFERENCE, PLACEMENT IS NOTED IN THE COMPONENT PLACEMENT DIAGRAM. CAPACITORS WITHOUT NOTED VALUES ARE .01 MFD.
- GND AND +5V ARE USUALLY PIN 7 AND PIN 14, RESPECTIVELY. EXCEPTIONS ARE:

IC TYPE	GND	+5V
DEC 8271	PIN 8	PIN 16
DEC 380	PIN 1	PIN 8

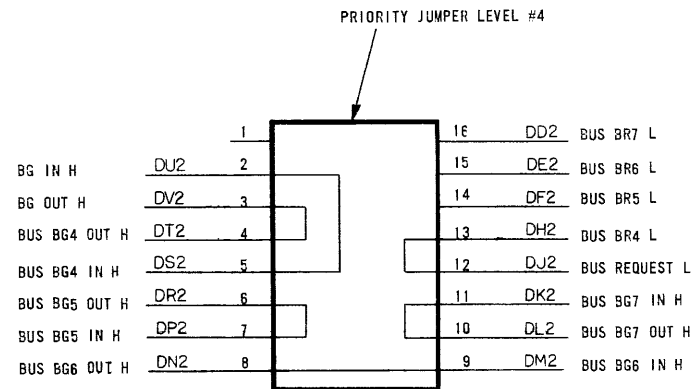
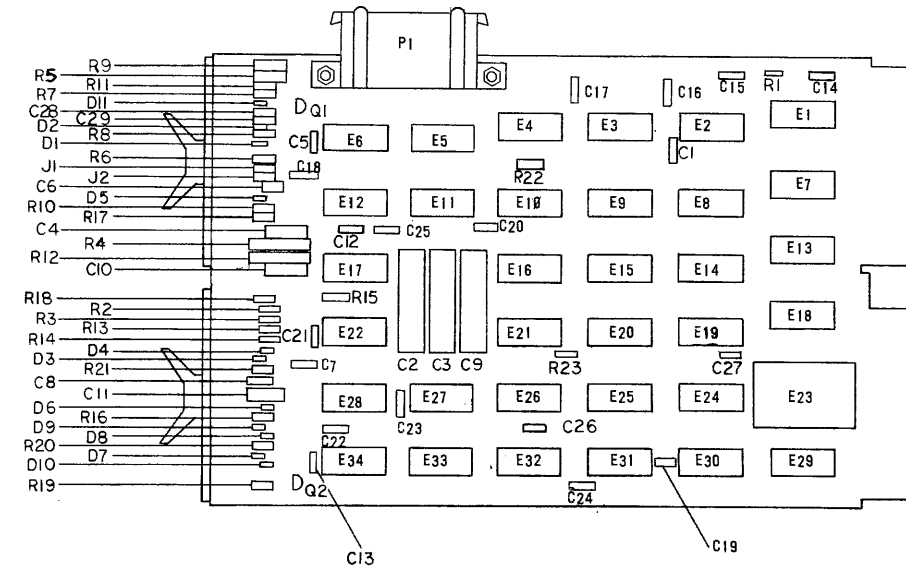
- SEE MU FOR ACTUAL SLOT LOCATION. DWG. NUMBER D-MU-KLII-Ø-MU

- INDICATES JUMPER (J1, J2), INSERT

COMPONENT PLACEMENT

PIN NOMENCLATURE

MODULE OPTION



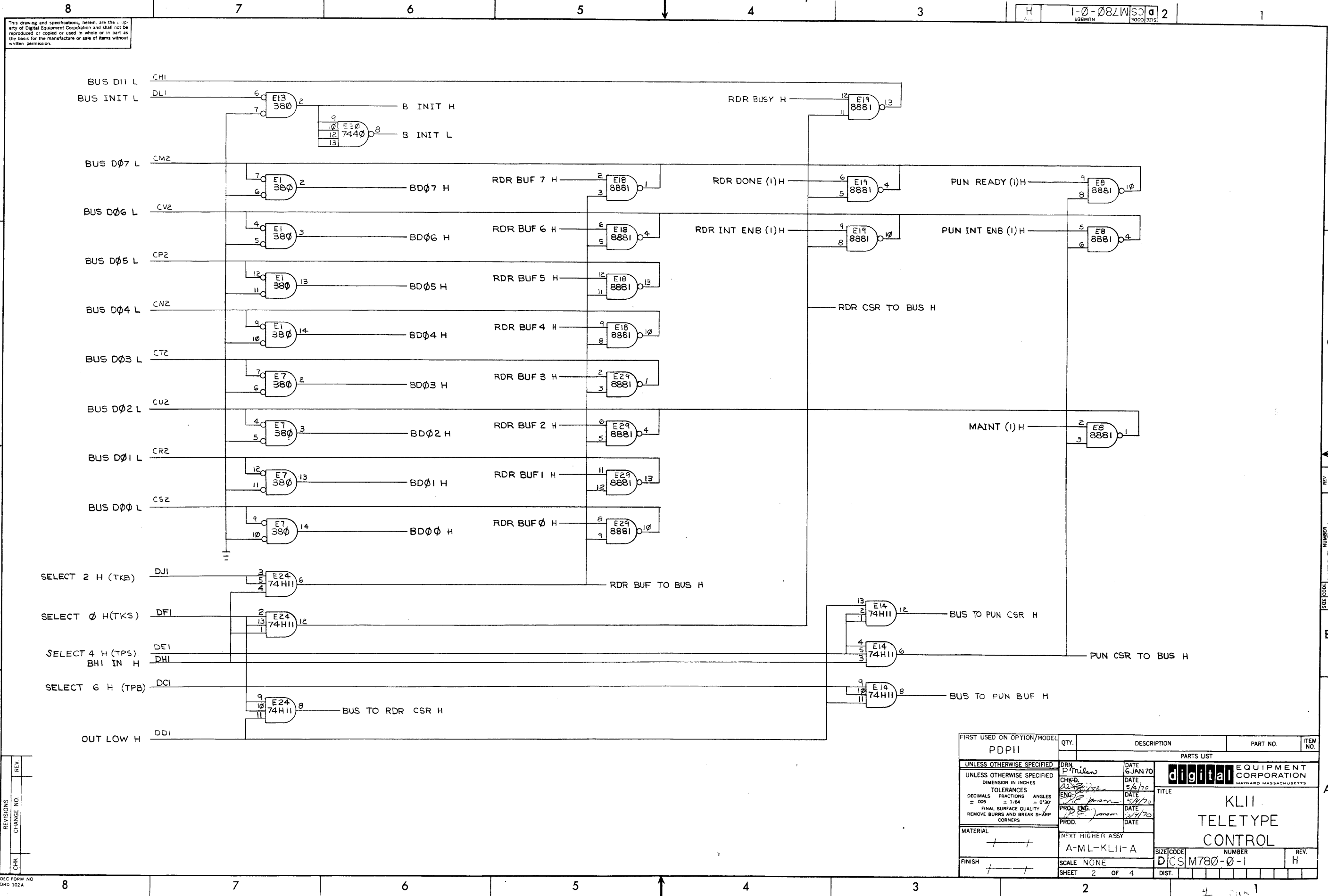
FOR REFERENCE ONLY:
(PLUG PRIORITY JUMPER INTO E23)

REV.	CHANGE NO.	DATE	BY	CHKD.
1	1	5/22/70	P. JANSON	
2	2	5/22/70	P. JANSON	
3	3	5/22/70	P. JANSON	
4	4	5/22/70	P. JANSON	
5	5	5/22/70	P. JANSON	
6	6	5/22/70	P. JANSON	
7	7	5/22/70	P. JANSON	
8	8	5/22/70	P. JANSON	

FIRST USED ON OPTION/MODEL
PDP11

DO NOT SCALE DRAWING	UNLESS OTHERWISE SPECIFIED DIMENSION IN INCHES	TOLERANCES DECIMALS FRACTIONS ANGLES ±.005 ± 1/64 ± 0°30'	FINAL SURFACE QUALITY REMOVE BURRS AND BREAK SHARP CORNERS
MATERIAL	FINISH		

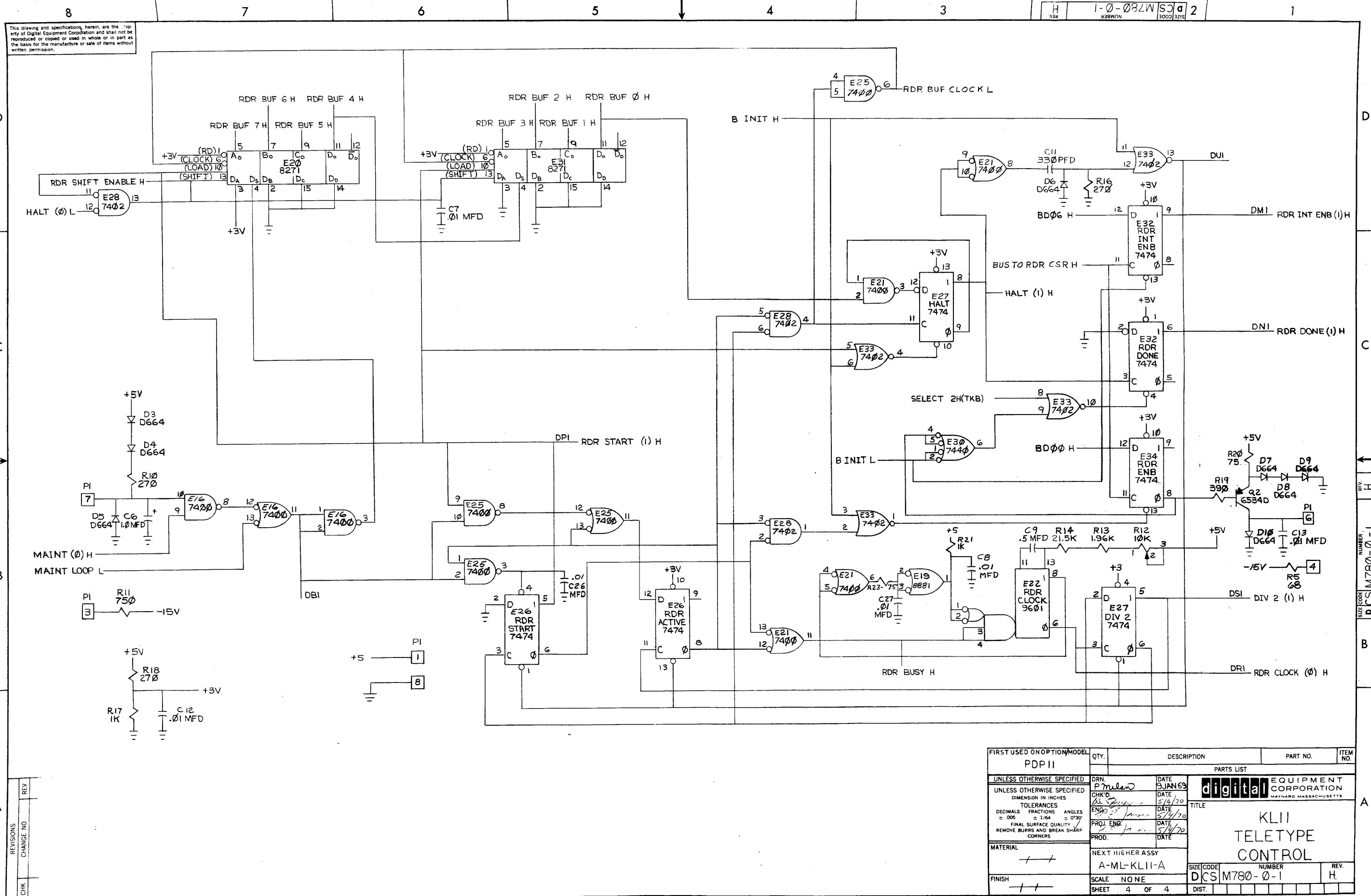
QTY.	DESCRIPTION	PART NO.	ITEM NO.
PARTS LIST			
<p>DRN: <i>S. Moravetz</i> DATE: <i>4/12/70</i></p> <p>CHKD: <i>P. Janson</i> DATE: <i>5/14/70</i></p> <p>ENG: <i>P. Janson</i> DATE: <i>5/14/70</i></p> <p>PROJ. ENG. DATE: <i>5/14/70</i></p> <p>PROD. DATE: <i>5/14/70</i></p>			
<p>digital EQUIPMENT CORPORATION MAYNARD, MASSACHUSETTS</p> <p>TITLE: KLII TELETYPE CONTROL</p> <p>SIZE CODE: DCS M780-Ø-1</p> <p>NUMBER: 1</p> <p>REV. H</p>			
<p>SCALE: NONE</p> <p>SHEET 1 OF 4</p> <p>ETCH REV. C</p> <p>DIST. 324 444 935</p>			



This drawing and specifications herein are the property of Digital Equipment Corporation and shall not be reproduced or copied or used in whole or in part as the basis for the manufacture or sale of items without written permission.

REV	
CHANGE NO	
CHK	

FIRST USED ON OPTION/MODEL PDP11	QTY.	DESCRIPTION	PART NO.	ITEM NO.
UNLESS OTHERWISE SPECIFIED				
DRN P Milan	DATE 6 JAN 70	PARTS LIST		
UNLESS OTHERWISE SPECIFIED	CHKD. A. J. J.	DATE 5/4/70	digital EQUIPMENT CORPORATION MAYNARD, MASSACHUSETTS	
DIMENSION IN INCHES	ENG. J. E. J.	DATE 5/4/70	TITLE KLII TELETYPE CONTROL	
TOLERANCES	PROJ. ENG. J. E. J.	DATE 5/4/70	MATERIAL NEXT HIGHER ASSY A-ML-KLII-A	
DECIMALS = .005	PROD.	DATE	FINISH SCALE NONE	
FRACTIONS = 1/64			SHEET 2 OF 4	
ANGLES = 90°			DIST.	
FINAL SURFACE QUALITY REMOVE BURRS AND BREAK SHARP CORNERS			SIZE CODE D C S M 780-0-1	
			NUMBER 4	
			REV. H	



This drawing and specifications, herein, are the property of Digital Equipment Corporation and shall not be reproduced or copied or used in whole or in part as the basis for the manufacture or sale of items without written permission.

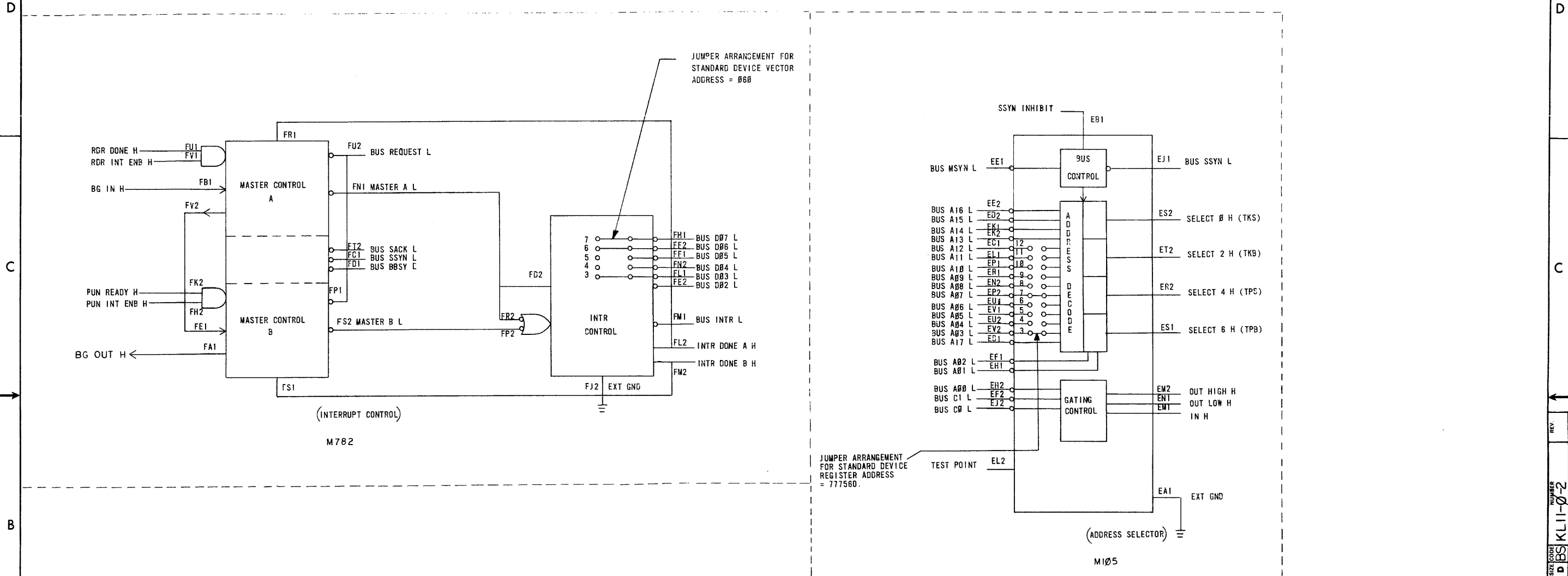
REV	NO
CHANGE	NO
CHK	NO

FIRST USED ON OPTION MODEL	QTY.	DESCRIPTION	PART NO.	ITEM NO.
PDP 11				
PARTS LIST				
UNLESS OTHERWISE SPECIFIED	DRN	DATE	digital EQUIPMENT CORPORATION MAYNARD, MASSACHUSETTS	
UNLESS OTHERWISE SPECIFIED	CHK'D	DATE	TITLE	
DIMENSION IN INCHES	DATE	5/9/70	KLII TELETYPE CONTROL	
TOLERANCES	DATE	5/9/70	NUMBER	
DECIMALS FRACTIONS ANGLES	DATE	5/9/70	DCS M780-0-1	
± .005 ± 1/64 ± 0°30'	PROJ. ENG.	DATE	REV.	
FINAL SURFACE QUALITY	DATE	5/9/70	H	
REMOVE BURRS AND BREAK SHARP CORNERS	PROD.	DATE	SCALE NONE	
MATERIAL			SHEET 4 OF 4	
NEXT HIGHER ASSY			DIST.	
A-ML-KLII-A				
FINISH				

REV. H
NUMBER DCS M780-0-1
SIZE CODE

This drawing and specifications, herein, are the property of Digital Equipment Corporation and shall not be reproduced or copied or used in whole or in part as the basis for the manufacture or sale of items without written permission.

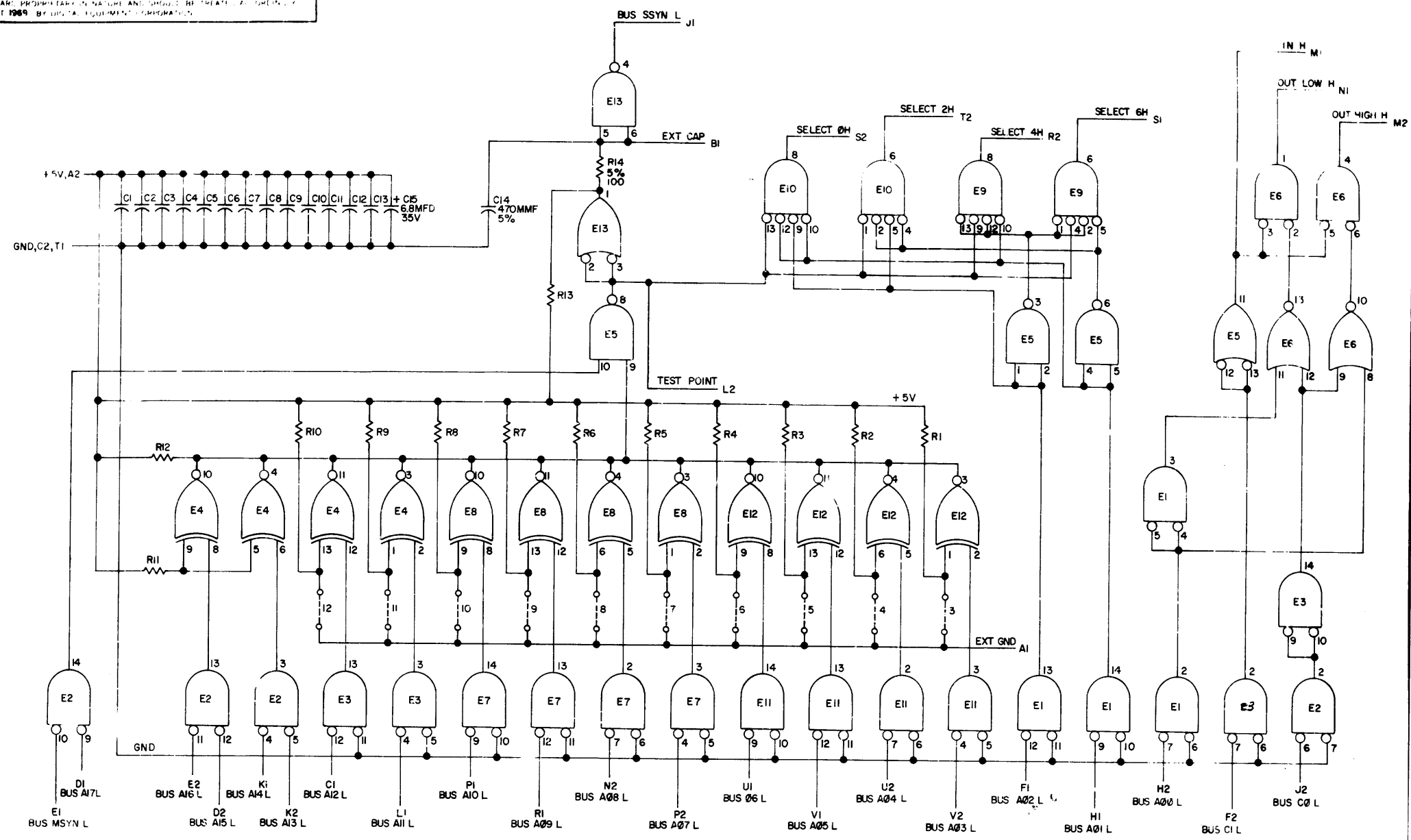
REV. 2
 SIZE CODE DBS KL11-0-2
 NUMBER 3000 3216



REV	NO.
CHG	NO.
CHK	NO.

FIRST USED ON OPTION/MODEL PDP11	QTY.	DESCRIPTION	PART NO.	ITEM NO.
PARTS LIST				
UNLESS OTHERWISE SPECIFIED DIMENSION IN INCHES TOLERANCES DECIMALS FRACTIONS ANGLES ± .005 ± 1/64 ± 0°30'	DRM	DATE	digital EQUIPMENT CORPORATION MAYNARD, MASSACHUSETTS	
FINAL SURFACE QUALITY REMOVE BURRS AND BREAK SHARP CORNERS	CHKD.	DATE	TITLE	
MATERIAL	ENG.	DATE	DEVICE CONTROL	
FINISH	PROJ. ENG.	DATE	NEXT HIGHER ASSY	
	PROD.	DATE	A-ML-KL11-0	
			SCALE NONE	SIZE CODE DBS KL11-0-2
			SHEET 1 OF 1	REV.

SCHEMATIC IS FURNISHED ONLY FOR TEST AND MAINTENANCE PURPOSES. THE SCHEMATIC IS PROPRIETARY IN NATURE AND SHOULD BE TREATED AS CONFIDENTIAL. COPYRIGHT 1969 BY DIGITAL EQUIPMENT CORPORATION.



UNLESS OTHERWISE INDICATED
 ○---○ INDICATES JUMPERS
 RESISTORS ARE 1K, 1/4W, 5%
 CAPACITORS ARE 0.1MFD, 100V, 20%
 E1, E2, E3, E7, E11 ARE DEC380
 E4, E6, E12 ARE DEC8242
 E9, E10 ARE DEC8815
 E5 IS DEC7400
 E6 IS DEC7402
 E13 IS DEC8881
 PIN 1 ON E1, E2, E3, E7, E11 = GND
 PIN 8 ON E1, E2, E3, E7, E11 = +5V
 PIN 7 ON E4, E5, E6, E8, E9, E10, E12, E13 = GND
 PIN 14 ON E4, E5, E6, E8, E9, E10, E12, E13 = +5V

Jumper for 0

REV	CHG	NO	REV
1		000002	A
2			B

DRN
 DATE 11-26-69
 DATE 1-1-70
 DATE 2-24-70

TRANSISTOR & DIODE CONVERSION CHART			
DEC	E-A	TT	E-A

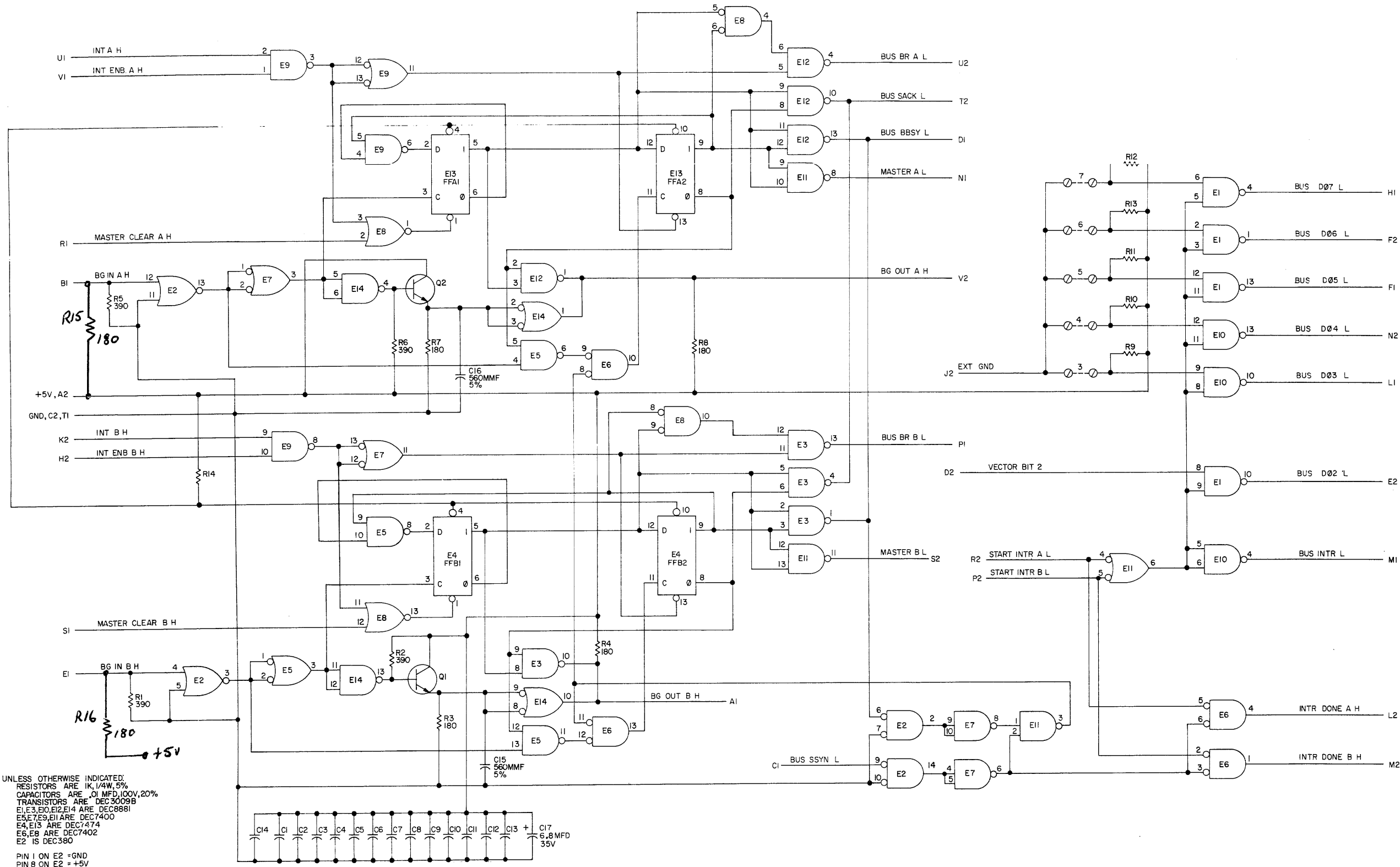
digital ADDRESS SELECTOR M105

EQUIPMENT CORPORATION

SHEET CODE C CS NUMBER M105-0-1 REV B

PRINTED CIRCUIT RE...

THIS SCHEMATIC IS FURNISHED ONLY FOR TEST AND MAINTENANCE PURPOSES. THE CIRCUITS ARE PROPRIETARY IN NATURE AND SHOULD BE TREATED ACCORDINGLY. COPYRIGHT 1970 BY DIGITAL EQUIPMENT CORPORATION.



UNLESS OTHERWISE INDICATED:
 RESISTORS ARE 1K, 1/4W, 5%
 CAPACITORS ARE .01 MFD, 100V, 20%
 TRANSISTORS ARE DEC3009B
 E1, E3, E10, E12, E14 ARE DEC8881
 E5, E7, E9, E11 ARE DEC7400
 E4, E13 ARE DEC7474
 E6, E8 ARE DEC7402
 E2 IS DEC380

PIN 1 ON E2 = GND
 PIN 8 ON E2 = +5V
 PIN 7 ON E1, E3 - E14 = GND
 PIN 14 ON E1, E3 - E14 = +5V
 ⊗ = SPLIT LUGS
 --- = JUMPERS

REV	DATE	BY	CHK
1	00001	A	
2	00002	B	
3	00003	C	
4	00004	D	

DRN	DATE	TRANSISTOR & DIODE CONVERSION CHART
ALLAN RITCEY	1-5-70	
DATE	DEC	E1A
DATE	DEC3009B	2N3009B
DATE		
DATE		

TITLE		NUMBER		REV
digital INTERRUPT CONTROL M782		M782-0-1		D
SIZE	CODE	NUMBER	REV	
D	CS		D	
EQUIPMENT CORPORATION				PRINTED CIRCUIT REV.
MAYNARD, MASSACHUSETTS				D E

REV D
 M782-0-1
 CS

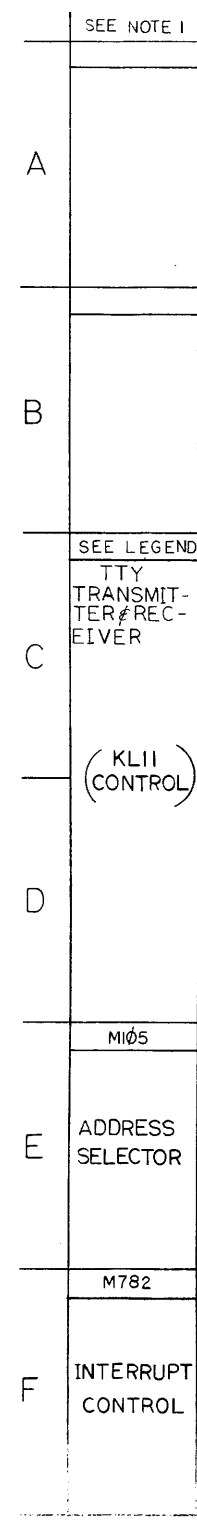
This drawing and specifications, herein, are the property of Digital Equipment Corporation and shall not be reproduced or copied or used in whole or in part as the basis for the manufacture or sale of items without written permission.

REV. A
 NUMBER D MU KLII-Ø-MU
 SIZE CODE D MU KLII-Ø-MU
 2

LEGEND	
OPTION	MODULE
KLII-A	M780
KLII-B	M780YB
KLII-C	M780YC
KLII-D	M780YD
KLII-E	M780YE
KLII-F	M780YF

NOTES:
 1. SLOT 14 OR 13 IN THE KAI1 PROCESSOR OR
 SLOT 1,2,3 OR 4 IN DDII-A.

D
C
B
A



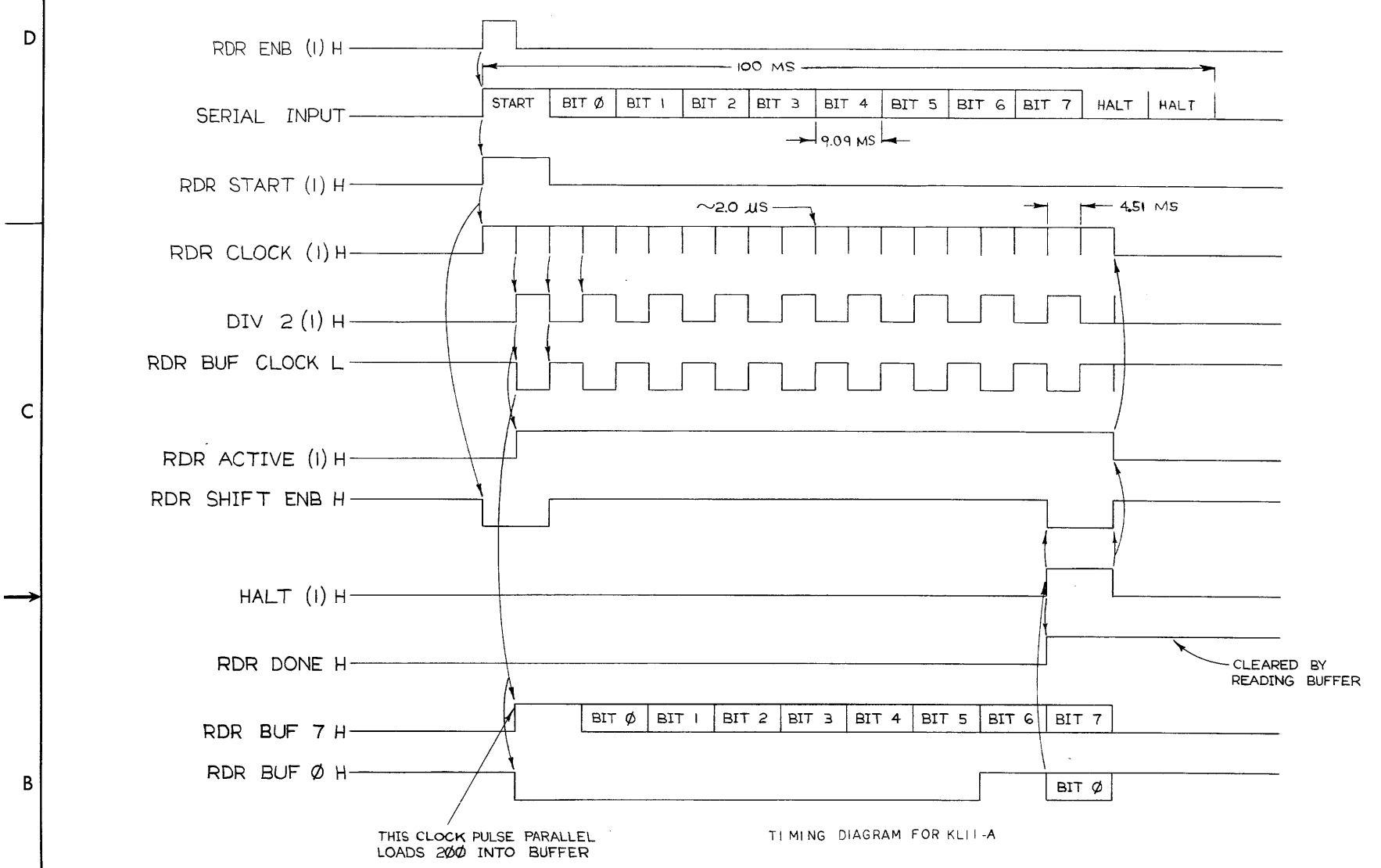
CHK	CHANGE NO.	REV.
FV	KLII-00003	A
JANSON		
2/27/70		

FIRST USED ON OPTION/MODEL
 PDPII

DO NOT SCALE DRAWING
 UNLESS OTHERWISE SPECIFIED
 DIMENSION IN INCHES
 TOLERANCES
 DECIMALS FRACTIONS ANGLES
 ± .005 ± 1/64 ± 0°30'
 FINAL SURFACE QUALITY
 REMOVE BURRS AND BREAK SHARP CORNERS
 MATERIAL
 FINISH

QTY.	DESCRIPTION	PART NO.	ITEM NO.
PARTS LIST			
DRN	DATE	digital EQUIPMENT CORPORATION MAYNARD, MASSACHUSETTS	
CHKD	DATE	TITLE	
ENG	DATE	MODULE UTILIZATION	
PRJ. ENG.	DATE	NEXT HIGHER ASSY	
PROD.	DATE	A-ML- KLII-Ø	
SCALE		NONE	
SHEET		OF	
SIZE CODE		NUMBER	
D MU		KLII-Ø-MU	
REV.		A	

This drawing and specifications herein are the property of Digital Equipment Corporation and shall not be reproduced or copied or used in whole or in part as the basis for the manufacture or sale of items without written permission.



REV.	CHG.	NO.	DATE	BY
A	FV	KLII-00003	1-8-71	JANSON

DEC FORM NO. DRD 100

FIRST USED ON OPTION/MODEL
PDP 11

DO NOT SCALE DRAWING
UNLESS OTHERWISE SPECIFIED
DIMENSION IN INCHES
TOLERANCES
DECIMALS FRACTIONS ANGLES
±.005 ± 1/64 ± 0°30'
FINAL SURFACE QUALITY
REMOVE BURRS AND BREAK SHARP CORNERS
MATERIAL
FINISH

QTY.	DESCRIPTION	PART NO.	ITEM NO.
PARTS LIST			
DRD	K. Hellen	DATE	4/24/70
CHK'D	W. S. J. [unclear]	DATE	5/24/70
ENG.	W. S. J. [unclear]	DATE	5/7/70
PROL. ENG.	W. S. J. [unclear]	DATE	5/7/70
PROD.	W. S. J. [unclear]	DATE	5/7/70
NEXT HIGHER ASSY		A-ML-KLII-0	
SCALE	NONE	SIZE CODE	D TD KLII-0-6
SHEET	1 OF 2	NUMBER	REV. A

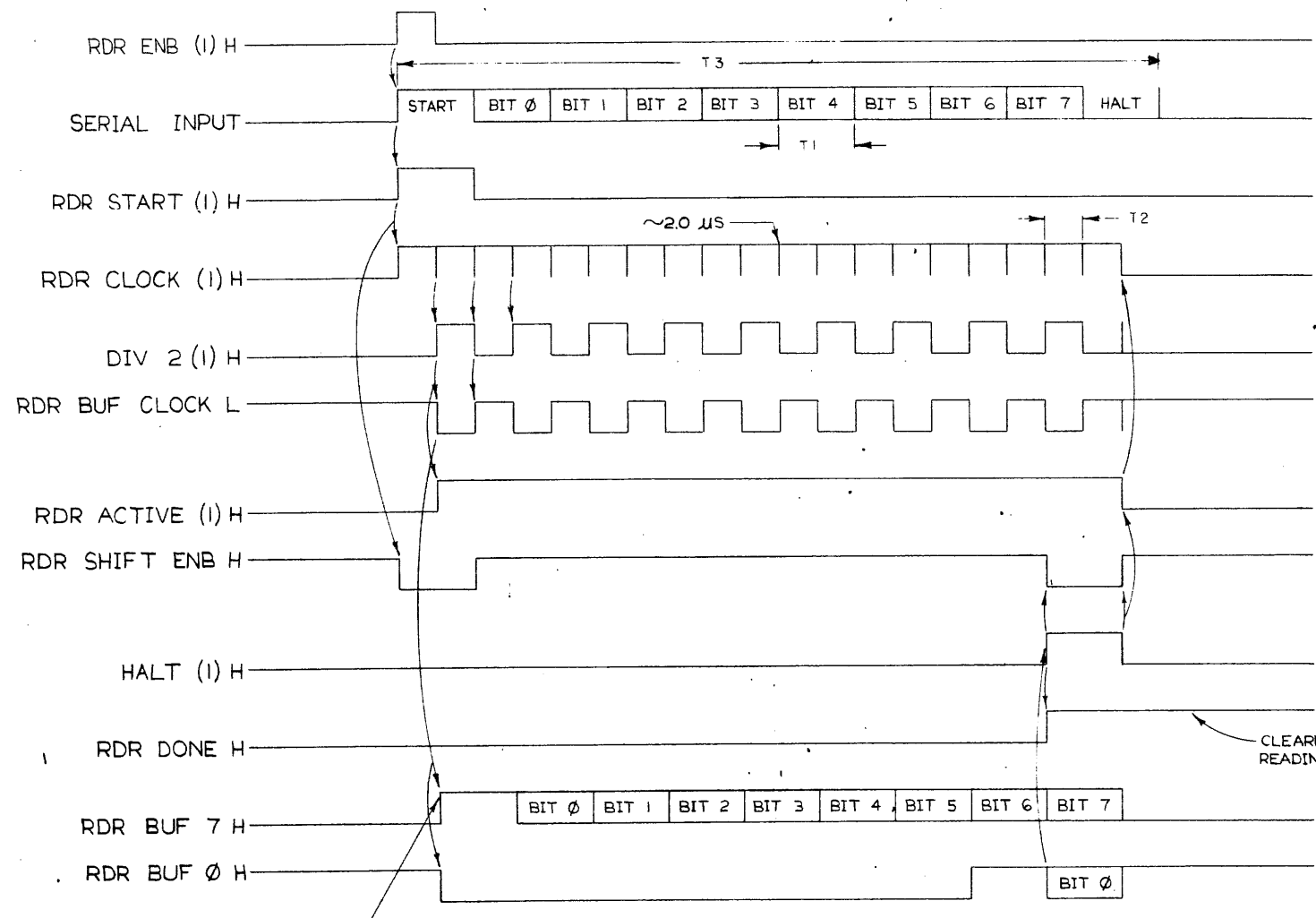
digital EQUIPMENT CORPORATION
MAYNARD, MASSACHUSETTS

TITLE
M780 RECEIVER
TIMING

REV. A
NUMBER
D TD KLII-0-6

This drawing and specifications, herein, are the property of Digital Equipment Corporation and shall not be reproduced, or copied or used in whole or in part as the basis for the manufacture or sale of items without written permission.

REV. 2
 NUMBER 0-1174
 SIZE CODE DTD



RECEIVER TIMING (MS)

OPTION	T1	T2	T3	BAUD
KL11-B	6.67	3.33	66.7	150
KL11-C	3.33	1.67	33.3	300
KL11-D	1.67	.833	16.7	600
KL11-E	9.09	4.55	90.9	110
KL11-F	4.17	2.09	41.7	2400

THIS CLOCK PULSE PARALLEL LOADS 200 INTO BUFFER
 TIMING DIAGRAM FOR KL11-B THROUGH KL11-F

CLEARED BY READING BUFFER

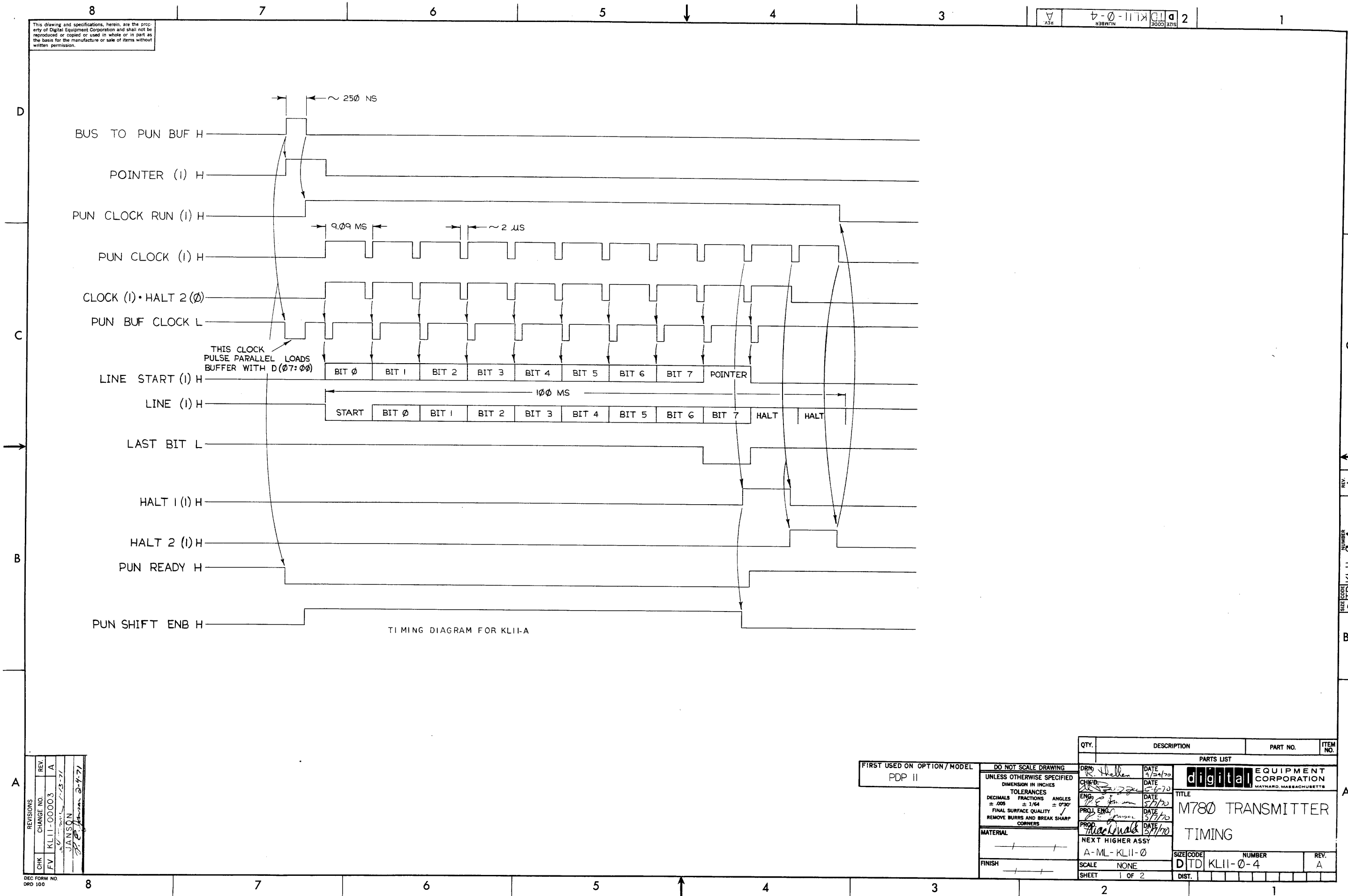
REV. 2

REV.	DATE	BY
2	4/24/70	R. H. W.
1	5-70	

QTY.	DESCRIPTION	PART NO.	ITEM NO.
	PARTS LIST		
	FIRST USED ON OPTION/MODEL PDP 11	DO NOT SCALE DRAWING UNLESS OTHERWISE SPECIFIED DIMENSION IN INCHES TOLERANCES DECIMALS FRACTIONS ANGLES ± .005 ± 1/64 ± 0°30' FINAL SURFACE QUALITY REMOVE BURRS AND BREAK SHARP CORNERS	DRN'D. DATE 4/24/70 CHK'D. DATE 5-70 ENG. DATE 5/7/70 PROJ. ENG. DATE 6/7/70 PROD. DATE 6/7/70
		MATERIAL F-1-1	NEXT HIGHER ASSY A-ML-KL11-0
		FINISH F-1-1	SCALE NONE
			SHEET ? OF 2
			TITLE M780 RECEIVER TIMING
			digital EQUIPMENT CORPORATION MAYNARD, MASSACHUSETTS
			SIZE CODE NUMBER REV. DTD KL11-0-6 A
			DIST.

REV. A
 NUMBER DTD KL11-0-6
 SIZE CODE B

This drawing and specifications, herein, are the property of Digital Equipment Corporation and shall not be reproduced or copied or used in whole or in part as the basis for the manufacture or sale of items without written permission.



REV.	CHANGE NO.	DATE
A	KLII-0003	1/23-71
JANSON		
P. E. Johnson 3-4-71		

DEC FORM NO. DRD 100

FIRST USED ON OPTION / MODEL
PDP 11

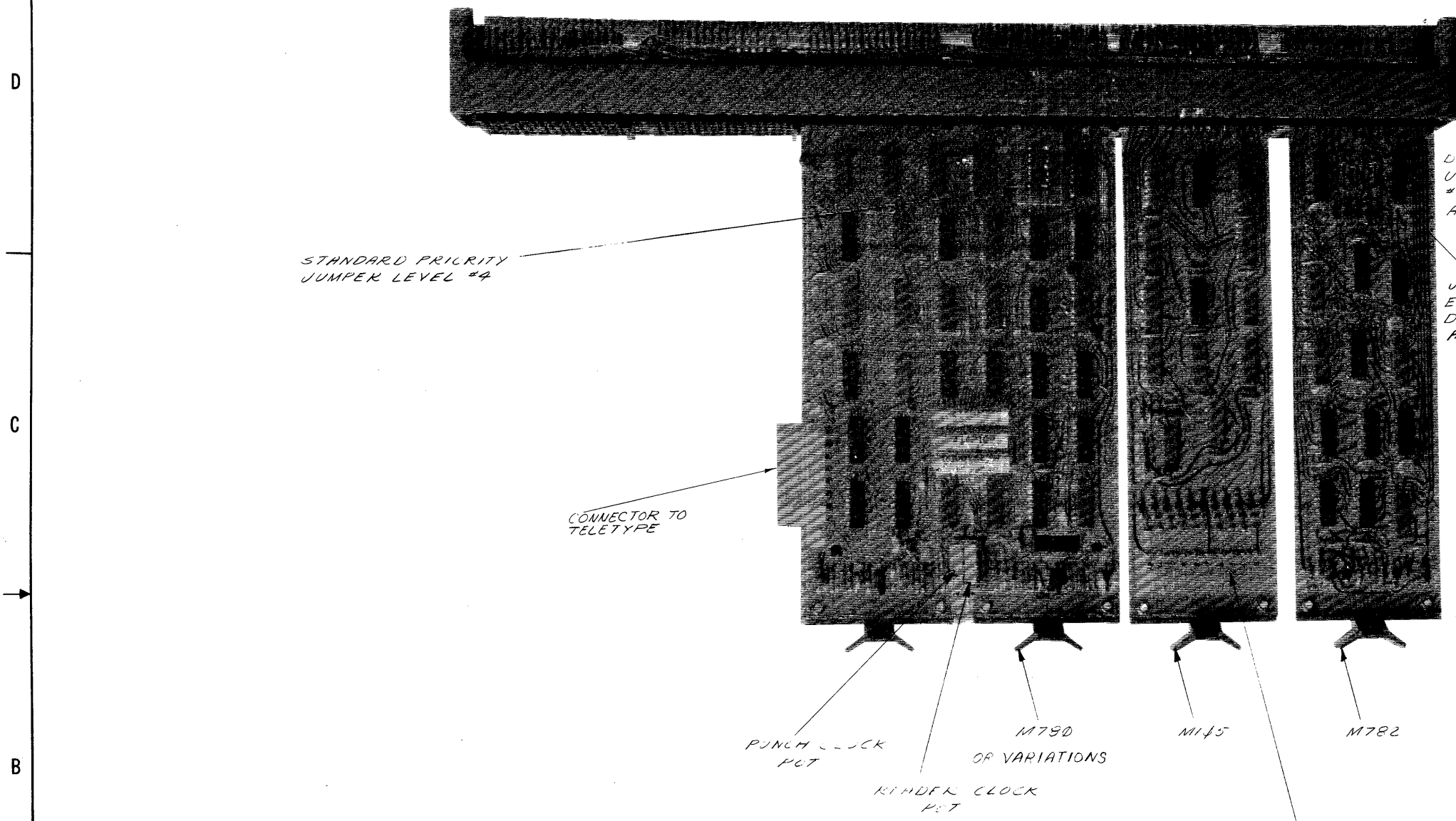
DO NOT SCALE DRAWING
UNLESS OTHERWISE SPECIFIED
DIMENSION IN INCHES
TOLERANCES
DECIMALS FRACTIONS ANGLES
± .005 ± 1/64 ± 0°30'
FINAL SURFACE QUALITY
REMOVE BURRS AND BREAK SHARP CORNERS
MATERIAL
FINISH

QTY.	DESCRIPTION	PART NO.	ITEM NO.
PARTS LIST			
	digital EQUIPMENT CORPORATION MAYNARD, MASSACHUSETTS		
	TITLE M780 TRANSMITTER TIMING		
	NEXT HIGHER ASSY A-ML-KLII-Ø	SIZE CODE D TD KLII-Ø-4	NUMBER 1
	SCALE NONE	DIST.	REV. A
	SHEET 1 OF 2		

REV. A
NUMBER
D TD KLII-Ø-4
SIZE CODE

This drawing and specifications, herein, are the property of Digital Equipment Corporation and shall not be reproduced or copied or used in whole or in part as the basis for the manufacture or sale of items without written permission.

NOTES:
 1. FOR CORRECT SLOT USAGE
 SEE D-MU-KLII-Ø-MU.



REV. A	CHG. NO. 0003	DATE 1-1-71
CHK. FV	DESIGNER J. J. JANSON	DATE 1-1-71
REV. A	DR. J. J. JANSON	DATE 1-1-71

FIRST USED ON OPTION/MODEL	QTY.	DESCRIPTION	PART NO.	ITEM NO.
PDPII				
PARTS LIST				
UNLESS OTHERWISE SPECIFIED		DRN. DATE	digital EQUIPMENT CORPORATION MAYNARD, MASSACHUSETTS	
UNLESS OTHERWISE SPECIFIED		CHK'D. DATE		
DIMENSION IN INCHES		ENG. DATE		
TOLERANCES		DATE		
DECIMALS	FRACTIONS	ANGLES	TITLE OPTION ARRANGEMENT	
± .005	± 1/64	± 0°30'		
FINAL SURFACE QUALITY				
REMOVE BURRS AND BREAK SHARP CORNERS				
MATERIAL	NEXT HIGHER	DATE	SIZE CODE NUMBER REV. D AR KLII-Ø-5 A	
+	A-MI-KLII-Ø	5/17/70		
FINISH	SCALE	DATE	DIST.	
+	1/1	5/17/70		
SHEET 1 OF 1				