

"THIS DOCUMENT AND SPECIFICATION HEREIN, ARE THE PROPERTY OF DIGITAL EQUIPMENT CORPORATION AND SHALL NOT BE REPRODUCED OR COPIED OR USED IN WHOLE OR IN PART AS THE BASIS FOR THE MANUFACTURE OR SALE OF ITEMS WITHOUT WRITTEN PERMISSION."
 COPYRIGHT (C) 1987, DIGITAL EQUIPMENT CORPORATION

TABLE OF CONTENTS, FIELD MAINTENANCE PRINT SET PART NO. MP02509-01

UNIT VARIATIONS COVERED BY THIS PRINT SET

VT320-A2, VT320-A3, VT320-A5, VT320-A6, VT320-B2, VT320-B3, VT320-B5, VT320-C2, VT320-C3, VT320-C5, VT320-G2, VT320-H2, VT320-J2, VT320-L2, VT320-L3, VT320-X2, VT320-62, VT320-63, VT320-72, VT320-73

K-DD-VT320-0-0	DRAWING DIRECTORY	B-DD-5417277-0-0	MONITOR, LOGIC CONTROL MODULE
K-PL-VT320-0-DBP	PARTS LIST	B-CS-5417277-0-1	SCHEMATIC
E-UA-VT320-0-DBU	UNIT ASSY	D-UA-5417277-0-0	UNIT ASSY
		D-UA-5417277-1-0	UNIT ASSY
B-DD-5417189-0-0	MONITOR, LOGIC CONTROL MODULE	D-UA-5417277-2-0	UNIT ASSY
B-CS-5417189-0-1	SCHEMATIC	K-PL-5417277-0-DBP	PARTS LIST
D-UA-5417189-0-0	UNIT ASSY	K-PL-5417277-1-DBP	PARTS LIST
D-UA-5417189-1-0	UNIT ASSY	K-PL-5417277-2-DBP	PARTS LIST
K-PL-5417189-0-DBP	PARTS LIST		
K-PL-5417189-1-DBP	PARTS LIST	D-AD-7024244-0-DBU	POWER SUPPLY ASSY
E-AD-7024240-0-DBU	CRT/BEZEL/YOKE ASSY	K-PL-7024244-0-DBP	PARTS LIST
K-PL-7024240-0-DBP	PARTS LIST		
		B-DD-5417279-0-0	POWER SUPPLY
B-DD-5417191-0-0	POWER SUPPLY	B-CS-5417279-0-1	SCHEMATIC
B-CS-5417191-0-1	SCHEMATIC	D-UA-5417279-0-0	UNIT ASSY
D-UA-5417191-0-0	UNIT ASSY	K-PL-5417279-0-DBP	PARTS LIST
D-UA-5417191-1-0	UNIT ASSY		
K-PL-5417191-0-DBP	PARTS LIST	E-AD-7024242-0-DBU	COVER ASSY
K-PL-5417191-1-DBP	PARTS LIST	K-PL-7024242-0-DBP	PARTS LIST
E-AD-7024245-0-DBU	BOTTOM ASSY	K-DD-7024577-0-0	MONITOR & LOGIC W/ARC PROTECTION
K-PL-7024245-0-DBP	PARTS LIST	D-IA-7024577-0-DBU	INSEPARABLE ASSY
		D-IA-7024577-1-DBU	INSEPARABLE ASSY
B-DD-5417339-0-0	ARC PROTECTION MODULE	K-PL-7024577-0-DBP	PARTS LIST
B-CS-5417339-0-1	SCHEMATIC	K-PL-7024577-1-DBP	PARTS LIST
D-UA-5417339-0-0	UNIT ASSY		
K-PL-5417339-0-DBP	PARTS LIST		

REVISION HISTORY

DATE	ECO NUMBER	REV	DATE	ECO NUMBER	REV	DATE	ECO NUMBER	REV
	VT320-XX-ML008	E		VT320-X-ML002	B		VT320-XX-ML004	C

DRN:	Bruce Harvey	DATE	24 MAR 87	TITLE:	TABLE OF CONTENTS, VT320 MONO TEXT
CHK'D:	R.J. Lin	DATE	07 JUL 87		TERMINAL W AND W/O PWR CORD
DES.ENG:	J. Kuo	DATE	07 JUL 87		
FLD SVC:	Mike Ardehali	DATE	07 JUL 87	SECTION	SHEET
MFG.ENG:	Gordon Wu	DATE	07 JUL 87	A OF A	1 OF 1
TOP DOCUMENT	K-DD-VT320-0-0			DOCUMENT NUMBER	REV
				K-TC-VT320-0-0	E

"THIS DOCUMENT AND SPECIFICATION HEREIN, ARE THE PROPERTY OF DIGITAL EQUIPMENT CORPORATION AND SHALL NOT BE REPRODUCED OR COPIED OR USED IN WHOLE OR IN PART AS THE BASIS FOR THE MANUFACTURE OR SALE OR ITEMS WITHOUT WRITTEN PERMISSION."
 COPYRIGHT (C) 1987. DIGITAL EQUIPMENT CORPORATION

DOCUMENT/PART NO.	DESCRIPTION	DOCUMENT/PART REVISIONS
VT320-A2	MONO WHT, TEXT TERM, 120V W/ATTCH PWR CD(NO KYBD/RS232) EK-VT320-NA, VT3XX-BA(LEGEND STRIP)	A01 B01 C01 C02 C02 C02 D02 D02
VT320-A3	MONO WHT, TEXT TERM, 240V W/RS232 (NO KYBD/PWR CD) EK-VT320-IM	A01 B01 C01 C02 C02 C02 D02 D02
VT320-A5	MONO WHT, TEXT TERM, 240V W/RS232 (NO KYBD/PWR CD) EK-VT320-IM	A01 A01 B01 B01
VT320-A6	MONO WHT, TEXT TERM, LOW RADIATION, 240V W/RS232 (NO KYBD/PWR CD)	A01
VT320-B2	MONO GRN, TEXT TERM, 120V W/ATTCH PWR CD(NO KYBD/RS232) EK-VT320-NA, VT3XX-BA(LEGEND STRIP)	A01 B01 C01 C02 C02 C02 D02 D02
VT320-B3	MONO GRN, TEXT TERM, 240V W/RS232 (NO KYBD/PWR CD) EK-VT320-IM	A01 B01 C01 C02 C02 C02 D02 D02
VT320-B5	MONO GRN, TEXT TERM, 240V W/RS232 (NO KYBD/PWR CD) EKVT320-IM	A01 A01 B01 B01
VT320-C2	MONO AMB, TEXT TERM, 120V W/ATTCH PWR CD(NO KYBD/RS232) EK-VT320-NA, VT3XX-BA(LEGEND STRIP)	A01 B01 C01 C02 C02 C02 D02 D02
VT320-C3	MONO AMB, TEXT TERM, 240V W/RS232 (NO KYBD/PWR CD) EK-VT320-IM	A01 B01 C01 C02 C02 C03 D02 D02
VT320-C5	MONO AMB, TEXT TERM, 240V W/RS232 (NO KYBD/PWR CD) EK-VT320-IM	A01 A01 B01 B01
VT320-G2	MONO WHT, TEXT TERM, 120V W/RS232 (NO KYBD/PWR CD) EK-VT320-IM, VT3XX-BA(LEGEND STRIP)	A01 B01 C01 C02 C02 C02 D02 D02
VT320-H2	MONO GRN, TEXT TERM, 120V W/RS232 (NO KYBD/PWR CD) EK-VT320-IM, VT3XX-BA(LEGEND STRIP)	A01 B01 C01 C02 C02 C02 D02 D02
VT320-J2	MONO AMB, TEXT TERM, 120V W/RS232 (NO KYBD/PWR CD) EK-VT320-IM, VT3XX-BA(LEGEND STRIP)	A01 B01 C01 C02 C02 C02 D02 D02
VT320-L2	INTL MONO/GREEN TEXT TERM, 32KB RAM, EK-VT320-IM, 120V	A01 B01 B02 B02 B02 B02 B02
VT320-L3	INTL MONO/GREEN TEXT TERM, 32KB RAM, EK-VT320-IM, 240V	A01 B01 B02 B02 B02 B02 B02
VT320-X2	CSS MONO AMB TEXT TERM USA/CANADA 120V, (NO KYBD/PWR CD)	A01 A01 A01

DRAWING DIRECTORY REVISION

A B C D E F H J

NOTES:

REVISION HISTORY

DATE	ECO NUMBER	REV	DATE	ECO NUMBER	REV	DATE	ECO NUMBER	REV	DATE	ECO NUMBER	REV
	VT320-XX-MLO4A	E		VT320-X-MLO02	B		VT320-ML001	C		VT320-ML02A	D
				VT320-XX-MLO5A	F		VT320-ML003	H		VT320-XX-MLO8B	J

d	i	g	i	t	a	l	DRN:	Bruce Harvey	DATE	17 Mar 87	TITLE:	DRAWING DIRECTORY, VT320 MONO TEXT
							CHK'D:	R. J. Lin	DATE	07 Jul 87		TERMINAL W/ AND W/O PWR CORD
							DES. ENG:	J. Kuo	DATE	07 Jul 87		
							RES. ENG:	O. Lin	DATE	07 Jul 87	SECTION	SHEET
							IMG. ENG:	Gordon Wu	DATE	07 Jul 87	A OF A	1 OF 2
											DOCUMENT NUMBER	REV
											K-DD-VT320-0-0	J

DOCUMENT/PART NO.	DESCRIPTION	DOCUMENT/PART REVISIONS							
VT320-62	MONO GRN, ARABISED TEXT TERM, 120V W/RS232, EXP MEM (NO KYBD/PWR CD)EK-VT320-IM, VT3XX-BA(LEGEND STRIP)	A01	B01	B01	B01	B01	B01	B01	INA
VT320-63	MONO GRN, ARABISED TEXT TERM, 240V W/RS232, EXP MEM (NO KYBD/PWR CD)EK-VT320-IM, VT3XXBP(LEGEND STRIP)	A01	B01	B01	B01	B01	B01	B01	INA
VT320-72	MONO AMB, ARABISED TEXT TERM, 240V W/RS232, EXP MEM (NO KYBD/PWR CD)EK-VT320-IM, VT3XXBP(LEGEND STRIP)								A01
VT320-73	MONO AMB, ARABISED TEXT TERM, 240V W/RS232, EXP MEM (NO KYBD/PWR CD)EK-VT320-IM, VT3XXBP(LEGEND STRIP)								A01
K-PL-VT320-0-DBP	PARTS LIST	A	B	C	D	E	F	H	J
E-UA-VT320-0-DBU	UNIT ASSY	A	B	B	B	C	D	D	E
K-TC-VT320-0-0	TABLE OF CONTENTS	A	B	B	B	C	D	D	E
DRAWING DIRECTORY REVISION		A	B	C	D	E	F	H	J

d	i	g	i	t	a	i				
DRAWING DIRECTORY							SECTION A	DOCUMENT NUMBER	REV	
VT320 MONO TEXT TERMINAL							SHEET 2 OF 2	K-DD-VT320-0-0	J	
W/ AND W/O POWER CORD										

LINE ITEM	TOP DOCUMENT	PART NUMBER	MIN REV	DESCRIPTION	62	63	QUANTITY PER VARIATION/REVISION		PER VARIATION/REVISION					
					INA	INA	A01	A01	A2	A3	A5	A6	B2	B3
1	K-DD-7024577-0-0	70-24577-01	D	MONITOR AND LOGIC W/ARC PROTECTION	-	-	-	-	1	-	-	-	1	-
2	K-DD-7024577-0-0	70-24577-02	D	MONITOR AND LOGIC W/ARC PROTECTION	-	-	-	-	-	1	1	-	-	1
3	E-AD-7024240-0-DBU	70-24240-01	A	CRT/BEZEL/YOKE ASSY WHT	-	-	-	-	1	1	-	-	-	-
4	E-AD-7024240-0-DBU	70-24240-02	A	CRT/BEZEL/YOKE ASSY, GRN	1	1	-	-	-	-	-	-	1	1
5	E-AD-7024240-0-DBU	70-24240-03	A	CRT/BEZEL/YOKE ASSY, AMB	-	-	1	1	-	-	-	-	-	-
6	E-AD-7024242-0-DBU	70-24242-01	A	COVER ASSY	1	1	1	1	1	1	1	1	1	1
7	D-AD-7024244-0-DBU	70-24244-01	B	PS 120V W/ATTACHED PWR CORD	-	-	-	-	1	-	-	-	1	-
8	D-AD-7024244-0-DBU	70-24244-02	B	PS 120-240V W/O PWR CORD	1	1	1	1	-	1	1	1	-	1
9	E-AD-7024245-0-DBU	70-24245-01	A	BOTTOM ASSY	1	1	1	1	1	1	1	-	1	1
10	C-MD-7434816-0-DBU	74-34816-01	A	COVER	-	-	-	-	1	-	-	-	1	-
11	C-MD-7434531-0-DBU	74-34531-01	A	BAFFLE	1	1	1	1	1	1	1	1	1	1
12	SEE GEN NOTE 1	36-28183-01	A	LABEL,REGULATORY VT320 NORTH AMERI	-	-	-	-	-	-	-	-	-	-
13	SEE GEN NOTE 1	36-28183-02	A	LABEL,REGULATORY VT320 INTERNATION	1	1	1	1	-	1	1	1	-	1
14	SEE GEN NOTE 1	36-26331-17	A	LABEL,SERIAL,VT320-A2 MADE IN TAIW	-	-	-	-	1	-	-	-	-	-
15	SEE GEN NOTE 1	36-26331-18	A	LABEL,SERIAL,VT320-A3 MADE IN TAIW	-	-	-	-	-	1	-	-	-	-
16	SEE GEN NOTE 1	36-26331-19	A	LABEL,SERIAL,VT320-G2 MADE IN TAIW	-	-	-	-	-	-	-	-	-	-
17	SEE GEN NOTE 1	36-26331-20	A	LABEL,SERIAL,VT320-B2 MADE IN TAIW	-	-	-	-	-	-	-	-	1	-
18	SEE GEN NOTE 1	36-26331-21	A	LABEL,SERIAL,VT320-B3 MADE IN TAIW	-	-	-	-	-	-	-	-	-	1
19	SEE GEN NOTE 1	36-26331-22	A	LABEL,SERIAL,VT320-H2 MADE IN TAIW	-	-	-	-	-	-	-	-	-	-
20	SEE GEN NOTE 1	36-26331-23	A	LABEL,SERIAL,VT320-C2 MADE IN TAIW	-	-	-	-	-	-	-	-	-	-
21	SEE GEN NOTE 1	36-26331-24	A	LABEL,SERIAL,VT320-C3 MADE IN TAIW	-	-	-	-	-	-	-	-	-	-
22	SEE GEN NOTE 1	36-26331-25	A	LABEL,SERIAL,VT320-J2 MADE IN TAIW	-	-	-	-	-	-	-	-	-	-
23	C-PA-3701001-0-DBU	37-01001-01	A	PKG TERMINAL VT320	-	-	-	-	1	-	-	-	1	-
24		12-28172-01	A	CONN,D SUB ADAPTOR	-	-	-	-	1	-	-	-	1	-
25		17-00811-02	A	CABLE ASSY 06COND OVAL 26AWG LAN C	-	-	-	-	1	-	-	-	1	-
26		36-20220-A1	A	LABEL,KEYBOARD,VT320 NORTH AMERICA	-	-	-	-	1	-	1	1	1	-
27		36-18460-01	A	LABEL,BAR CODE BLANK .38 X1.5	1	1	1	1	1	1	1	1	1	1
28		EK-VT320-UG	A	*** THIS ITEM IS NOT USED ***	-	-	-	-	-	-	-	-	-	-
29		EK-VT320-UU	A	*** THIS ITEM IS NOT USED ***	-	-	-	-	-	-	-	-	-	-
30	K-DD-7024577-0-0	70-24577-03	B	*** THIS ITEM IS NOT USED ***	-	-	-	-	-	-	-	-	-	-

REVISION HISTORY			KPL MATRIX FORMAT		SECTION A OF B	DRN: J. N. LIN	DIGITAL			
ENG	ECO NUMBER	REV	SECTION/VARIATION INDEX		DATE: 17-SEP-86	CHK'D: R. J. LIN	TITLE PARTS LIST			
---	INITIAL	A	[A]	62,63,72,73,A2,A3,A5,A6,B2,B3	DATE: 08-MAY-87		VT320 MONO TEXT TERMINAL W/ AND W/O POWER CORD			
BB	VT320-X-ML002	B	[B]	B5,C2,C3,C5,G2,H2,J2,L2,L3,X2	DES.ENG: J. KOU		DOCUMENT NUMBER			
TF	VT320-ML001	C	[C]		DATE: 17-SEP-86		SIZE	CODE	NUMBER	REV
TF	VT320-ML002	D	[D]		RESP.ENG.: O. LIN		K	PL	VT320-0-DBP	J
MB	VT320-XX-ML005	F	[F]		DATE: 09-MAY-87		RELEASE DATE: 06-FEB-90			
MB	VT320-ML003	H	[H]		DATE: 11-JUN-87		RELEASE STATUS: RELEASED			
MB	VT320-XX-ML08B	J	[J]							
			BASIC PART NUMBER: VT320		ASSEMBLY NUMBER: E-UA-VT320-0-DBU		TOP DOCUMENT NUMBER: K-DD-VT320-0-0		EDIT # 5	
			FILE NAME: MLA0360J.PLS							

"THIS DRAWING AND THE SPECIFICATIONS CONTAINED HEREIN ARE CONFIDENTIAL AND PROPRIETARY. THEY ARE THE PROPERTY OF DIGITAL EQUIPMENT CORPORATION AND SHALL NOT BE REPRODUCED OR COPIED OR USED IN WHOLE OR IN PART AS THE BASIS FOR THE MANUFACTURE OR SALE OF ITEMS WITHOUT WRITTEN PERMISSION. THIS IS AN UNPUBLISHED WORK PROTECTED UNDER THE FEDERAL COPYRIGHT LAWS."

LINE	ITEM	TOP DOCUMENT	PART NUMBER	MIN REV	DESCRIPTION	QUANTITY PER VARIATION/REVISION											
						62 INA	63 INA	72 A01	73 A01	A2 D02	A3 D02	A5 B01	A6 A01	B2 D02	B3 D02		
31	31	K-DD-7024577-0-0	70-24577-04	B	MONITOR/LOGIC/ARC PROTECT (RTD)	-	-	-	-	-	-	-	-	-	-	-	-
32	32	SEE GEN NOTE 1	36-26331-44	A	*** THIS ITEM IS NOT USED ***	-	-	-	-	-	-	-	-	-	-	-	-
33	33	SEE GEN NOTE 1	36-26331-45	A	*** THIS ITEM IS NOT USED ***	-	-	-	-	-	-	-	-	-	-	-	-
34	34	SEE GEN NOTE 1	36-26331-46	A	LABEL,SERIAL VT320-L2 MADE IN TAIW	-	-	-	-	-	-	-	-	-	-	-	-
35	35	SEE GEN NOTE 1	36-26331-47	A	LABEL,SERIAL VT320-L3 MADE IN TAIW	-	-	-	-	-	-	-	-	-	-	-	-
36	36	SEE GEN NOTE 1	37-01001-02	A	PKG TERMINAL VT320	1	1	1	1	-	1	1	1	-	-	-	1
37	37		EK-VT320-NA	A	VT320 VIDEO TERMINAL INSTALLATION	-	-	-	-	1	-	-	-	-	-	1	-
38	38		EK-VT320-IM	A	VT320 VIDEO TERMINAL INSTALLATION	-	-	1	1	-	1	1	1	-	-	-	1
39	39	SEE GEN NOTE 1	36-26331-56	A	LABEL,SERIAL VT320-A5 MADE IN TAIW	-	-	-	-	-	-	1	-	-	-	-	-
40	40	SEE GEN NOTE 1	36-26331-57	A	LABEL,SERIAL VT320-B5 MADE IN TAIW	-	-	-	-	-	-	-	-	-	-	-	-
41	41	SEE GEN NOTE 1	36-26331-58	A	LABEL,SERIAL VT320-C5 MADE IN TAIW	-	-	-	-	-	-	-	-	-	-	-	-
42	42	E-AD-7024240-0-DBU	70-24240-04	A	CRT/BEZEL/YOKE ASSY/ WHT/AUST/N.Z.	-	-	-	-	-	-	-	1	-	-	-	-
43	43	E-AD-7024240-0-DBU	70-24240-05	A	CRT/BEZEL/YOKE ASSY/ GREEN AUST/ N	-	-	-	-	-	-	-	-	-	-	-	-
44	44	E-AD-7024240-0-DBU	70-24240 06	A	CRT/BEZEL/YOKE ASSY/AMBER/AUST/ N.	-	-	-	-	-	-	-	-	-	-	-	-
45	45	SEE GEN NOTE 1	36-26331-67	A	LABEL,SERIAL VT320-C3-ASSEMBLED IN	-	-	-	-	-	-	-	-	-	-	-	-
46	46	SEE GEN NOTE 1	36-26331-68	A	LABEL,SERIAL VT320-X2 MADE IN TAIW	-	-	-	-	-	-	-	-	-	-	-	-
47	47	K-DD-7024577-0-0	70-24577-05	A	MONITOR/LOGIC/ARC PROTECT (VT320-X	-	-	-	-	-	-	-	-	-	-	-	-
48	48	SEE GEN NOTE 1	36-30752-01	A	LABEL,LOGO VT320-XM	-	-	-	-	-	1	-	-	-	-	-	-
49	49		36-30752-02	A	LABEL,LOGO VT320-XM	-	-	-	-	-	-	-	-	-	-	-	1
50	50	SEE GEN NOTE 1	36-28183-08	A	LABEL,REGULATORY VT320,INTERNATION	-	-	-	-	-	1	-	-	-	-	-	1
51	51	SEE GEN NOTE 1	36-26331-65	A	*** THIS ITEM IS NOT USED ***	-	-	-	-	-	-	-	-	-	-	-	-
52	52	SEE GEN NOTE 1	36-26331-66	A	*** THIS ITEM IS NOT USED ***	-	-	-	-	-	-	-	-	-	-	-	-
53	53	K-DD-7024577-0-0	70-24577-06	A	MONITOR LOGIC W/ARC PROTECTION (LR	-	-	-	-	-	-	-	-	-	1	-	-
54	54	SEE GEN NOTE 1	36-26331-74	A	LABEL,SERIAL VT320-72,MADE IN TAIW	-	-	1	-	-	-	-	-	-	-	-	-
55	55	SEE GEN NOTE 1	36-26331-75	A	LABEL,SERIAL VT320-73,MADE IN TAIW	-	-	-	1	-	-	-	-	-	-	-	-
56	56	K-DD-7024577-0-0	70-24577-07	A	MONITOR 6 LOGIC W/ARC PROTECTION (-	-	1	1	-	-	-	-	-	-	-	-
57	57	E-AD-7024240-0-DBU	70-24240-07	A	CRT/BEZEL/YOKE ASSY	-	-	-	-	-	-	-	-	-	1	-	-
58	58	E-AD-7024245-0-DBU	70-24245-02	A	BOTTOM,ASSY	-	-	-	-	-	-	-	-	-	1	-	-
59	59	SEE GEN NOTE 1	36-26331-71	A	LABEL,SERIAL VT320-A6 LOW RADIATIO	-	-	-	-	-	-	-	-	-	1	-	-
60	60		EK-VT320-AD	A	VT320 ADDENDUM	-	-	-	-	-	-	-	-	-	1	-	-

- 1 GEN: THE LABELS SPECIFIED ARE PRODUCTS MANUFACTURED IN TAIWAN.
- 2 GEN: (CONTINUED) WHEN MANUFACTURING SITE IS DIFFERENT, ALTERNATE LABEL VARIATIONS ARE MANDATORY.
- 3 GEN: (CONTINUED) REFER TO THE SPECIFICATION/S FOR THE SPECIFIC VARIATION TO BE USED.

D	I	G	I	T	A	L	TITLE	SECTION A	OF B	SIZE	CODE	DOCUMENT NUMBER	REV
							VT320 MONO TEXT TERMINAL W/ AND W/O POWER CORD			K	PL	VT320-0-DBP	J

LINE	ITEM	TOP DOCUMENT	PART NUMBER	MIN REV	DESCRIPTION	QUANTITY PER VARIATION/REVISION											
						B5 B01	C2 D02	C3 D02	C5 B01	G2 D02	H2 D02	J2 D02	L2 B02	L3 B02	X2 A01		
1	1	K-DD-7024577-0-0	70-24577-01	D	MONITOR AND LOGIC W/ARC PROTECTION	-	1	-	-	-	-	-	-	-	-	-	
2	2	K-DD-7024577-0-0	70-24577-02	D	MONITOR AND LOGIC W/ARC PROTECTION	1	-	1	1	1	1	1	-	-	-	-	
3	3	E-AD-7024240-0-DBU	70-24240-01	A	CRT/BEZEL/YOKE ASSY WHT	-	-	-	-	1	-	-	-	-	-	-	
4	4	E-AD-7024240-0-DBU	70-24240-02	A	CRT/BEZEL/YOKE ASSY, GRN	-	-	-	-	-	1	-	1	1	-	-	
5	5	E-AD-7024240-0-DBU	70-24240-03	A	CRT/BEZEL/YOKE ASSY, AMB	-	1	1	-	-	-	1	-	-	-	1	
6	6	E-AD-7024242-0-DBU	70-24242-01	A	COVER ASSY	1	1	1	1	1	1	1	1	1	1	1	
7	7	D-AD-7024244-0-DBU	70-24244-01	B	PS 120V W/ATTACHED PWR CORD	-	1	-	-	-	-	-	-	-	-	-	
8	8	D-AD-7024244-0-DBU	70-24244-02	B	PS 120-240V W/O PWR CORD	1	-	1	1	1	1	1	1	1	1	1	
9	9	E-AD-7024245-0-DBU	70-24245-01	A	BOTTOM ASSY	1	1	1	1	1	1	1	1	1	1	1	
10	10	C-MD-7434816-0-DBU	74-34816-01	A	COVER	-	1	-	-	-	-	-	-	-	-	-	
11	11	C-MD-7434531-0-DBU	74-34531-01	A	BAFFLE	1	1	1	1	1	1	1	1	1	1	1	
12	12	SEE GEN NOTE 1	36-28183-01	A	LABEL,REGULATORY VT320 NORTH AMERI	-	-	-	-	-	-	-	-	-	-	A/R	
13	13	SEE GEN NOTE 1	36-28183-02		LABEL,REGULATORY VT320 INTERNATION	1	-	1	1	1	1	1	1	1	1	A/R	
14	14	SEE GEN NOTE 1	36-26331-17		LABEL,SERIAL,VT320-A2 MADE IN TAIW	-	-	-	-	-	-	-	-	-	-	-	
15	15	SEE GEN NOTE 1	36-26331-18		LABEL,SERIAL,VT320-A3 MADE IN TAIW	-	-	-	-	-	-	-	-	-	-	-	
16	16	SEE GEN NOTE 1	36-26331-19		LABEL,SERIAL,VT320-G2 MADE IN TAIW	-	-	-	-	1	-	-	-	-	-	-	
17	17	SEE GEN NOTE 1	36-26331-20		LABEL,SERIAL,VT320-B2 MADE IN TAIW	-	-	-	-	-	-	-	-	-	-	-	
18	18	SEE GEN NOTE 1	36-26331-21		LABEL,SERIAL,VT320-B3 MADE IN TAIW	-	-	-	-	-	-	-	-	-	-	-	
19	19	SEE GEN NOTE 1	36-26331-22		LABEL,SERIAL,VT320-H2 MADE IN TAIW	-	-	-	-	-	1	-	-	-	-	-	
20	20	SEE GEN NOTE 1	36-26331-23		LABEL,SERIAL,VT320-C2 MADE IN TAIW	-	1	-	-	-	-	-	-	-	-	-	
21	21	SEE GEN NOTE 1	36-26331-24		LABEL,SERIAL,VT320-C3 MADE IN TAIW	-	-	1	-	-	-	-	-	-	-	-	
22	22	SEE GEN NOTE 1	36-26331-25		LABEL,SERIAL,VT320-J2 MADE IN TAIW	-	-	-	-	-	-	1	-	-	-	-	
23	23	C-PA-3701001-0-DBU	37-01001-01		PKG TERMINAL VT320	-	1	-	-	-	-	-	-	-	-	-	
24	24		12-28172-01		CONN,D SUB ADAPTOR	-	1	-	-	-	-	-	-	-	-	-	
25	25		17-00811-02		CABLE ASSY 06COND OVAL 26AWG LAN C	-	1	-	-	-	-	-	-	-	-	-	
26	26		36-20220-A1	A	LABEL,KEYBOARD,VT320 NORTH AMERICA	1	1	-	1	1	1	1	1	1	1	1	
27	27		36-18460-01	A	LABEL,BAR CODE BLANK .38 X1.5	1	1	1	1	1	1	1	1	1	1	1	
28	28		EK-VT320-UG		*** THIS ITEM IS NOT USED ***	-	-	-	-	-	-	-	-	-	-	-	
29	29		EK-VT320-UU		*** THIS ITEM IS NOT USED ***	-	-	-	-	-	-	-	-	-	-	-	
30	30	K-DD-7024577-0-0	70-24577-03	B	*** THIS ITEM IS NOT USED ***	-	-	-	-	-	-	-	-	-	-	-	

REVISION HISTORY			KPL MATRIX FORMAT			SECTION B OF B			DRN: J. N. LIN			D I G I T A L		
ENG	ECO NUMBER	REV	SECTION/VARIATION INDEX			DATE: 17-SEP-86			CHK'D: R. J. LIN			TITLE PARTS LIST		
---	INITIAL	A	[A] 62,63,72,73,A2,A3,A5,A6,B2,B3			DATE: 08-MAY-87			DATE: 08-MAY-87			VT320 MONO TEXT TERMINAL		
BB	VT320-X-ML002	B	[B] B5,C2,C3,C5,G2,H2,J2,L2,L3,X2									W/ AND W/O POWER CORD		
TF	VT320-ML001	C	[C]						DES.ENG: J. KOU					
TF	VT320-ML002	D	[D]						DATE: 17-SEP-86			DOCUMENT NUMBER		
TF	VT330-XX-ML004	E	[E]									SIZE CODE NUMBER REV		
MB	VT320-XX-ML005	F	[F]						RESP.ENG.: O. LIN					
MB	VT320-ML003	H	[H]						DATE: 09-MAY-87			K PL VT320-0-DBP J		
MB	VT320-XX-ML088	J	[J]						MFG.ENG: GORDON WU			RELEASE DATE: 06-FEB-90		
									DATE: 11-JUN-87			RELEASE STATUS: RELEASED		
			BASIC PART NUMBER:			ASSEMBLY NUMBER:			TOP DOCUMENT NUMBER:			EDIT #		
			VT320			E-UA-VT320-0-DBU			K-DD-VT320-0-0			5		
			FILE NAME: ML0360J.PLS											

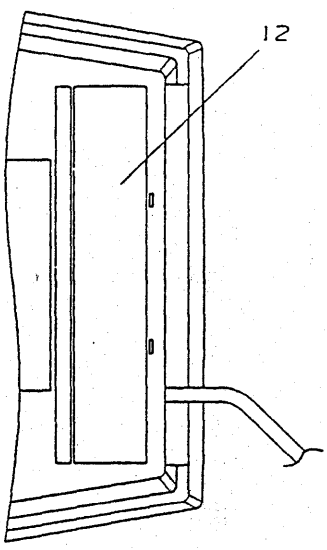
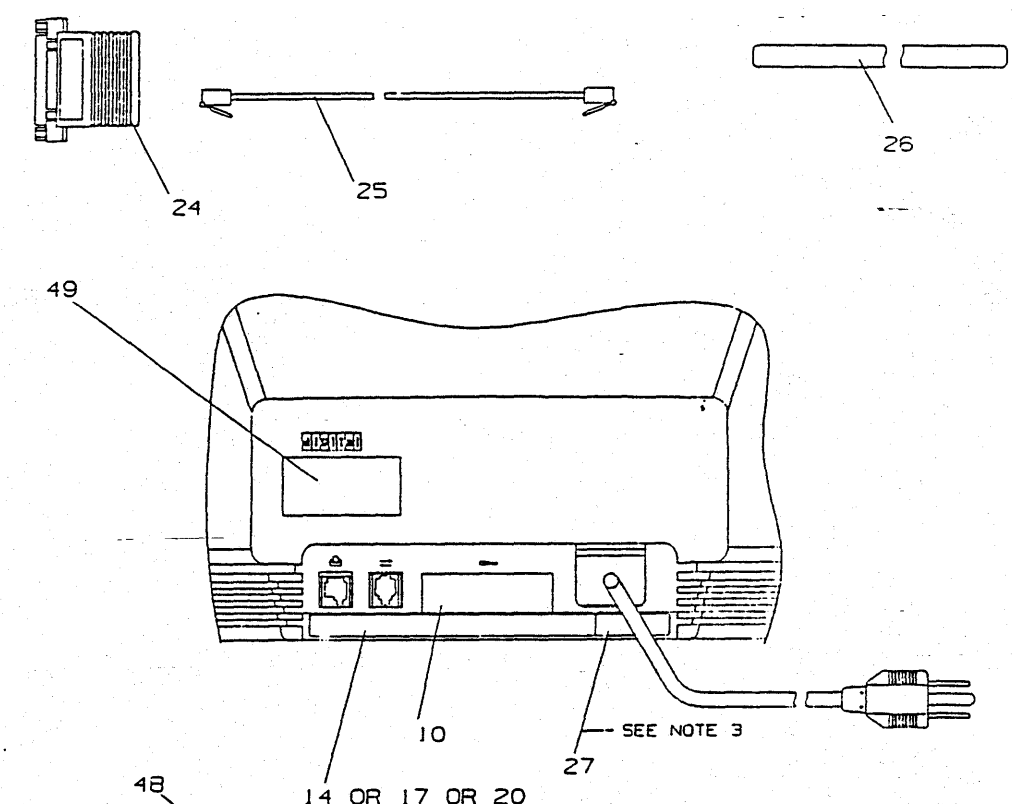
"THIS DRAWING AND THE SPECIFICATIONS CONTAINED HEREIN ARE CONFIDENTIAL AND PROPRIETARY. THEY ARE THE PROPERTY OF DIGITAL EQUIPMENT CORPORATION AND SHALL NOT BE REPRODUCED OR COPIED OR USED IN WHOLE OR IN PART AS THE BASIS FOR THE MANUFACTURE OR SALE OF ITEMS WITHOUT WRITTEN PERMISSION. THIS IS AN UNPUBLISHED WORK PROTECTED UNDER THE FEDERAL COPYRIGHT LAWS."

LINE ITEM	TOP DOCUMENT	PART NUMBER	MIN REV	DESCRIPTION	QUANTITY PER VARIATION/REVISION									
					B5	C2	C3	C5	G2	H2	J2	L2	L3	X2
					B01	D02	D02	B01	D02	D02	D02	B02	B02	A01
31	31 K-DD-7024577-0-0	70-24577-04	B	MONITOR/LOGIC/ARC PROTECT (RTD)	-	-	-	-	-	-	-	1	1	-
32	32 SEE GEN NOTE 1	36-26331-44	A	*** THIS ITEM IS NOT USED ***	-	-	-	-	-	-	-	-	-	-
33	33 SEE GEN NOTE 1	36-26331-45	A	*** THIS ITEM IS NOT USED ***	-	-	-	-	-	-	-	-	-	-
34	34 SEE GEN NOTE 1	36-26331-46	A	LABEL,SERIAL VT320-L2 MADE IN TAIW	1	-	-	-	-	-	-	1	-	-
35	35 SEE GEN NOTE 1	36-26331-47	A	LABEL,SERIAL VT320-L3 MADE IN TAIW	-	-	-	-	-	-	-	-	1	-
36	36 SEE GEN NOTE 1	37-01001-02	A	PKG TERMINAL VT320	1	-	1	1	1	1	1	1	1	-
37	37	EK-VT320-NA	A	VT320 VIDEO TERMINAL INSTALLATION	-	1	-	-	-	-	-	-	-	A/R
38	38	EK-VT320-IM	A	VT320 VIDEO TERMINAL INSTALLATION	1	-	1	1	1	1	1	1	1	A/R
39	39 SEE GEN NOTE 1	36-26331-56	A	LABEL,SERIAL VT320-A5 MADE IN TAIW	-	-	-	-	-	-	-	-	-	-
40	40 SEE GEN NOTE 1	36-26331-57	A	LABEL,SERIAL VT320-B5 MADE IN TAIW	1	-	-	-	-	-	-	-	-	-
41	41 SEE GEN NOTE 1	36-26331-58	A	LABEL,SERIAL VT320-C5 MADE IN TAIW	-	-	-	1	-	-	-	-	-	-
42	42 E-AD-7024240-0-DBU	70-24240-04	A	CRT/BEZEL/YOKE ASSY/ WHT/AUST/N.Z.	-	-	-	-	-	-	-	-	-	-
43	43 E-AD-7024240-0-DBU	70-24240-05	A	CRT/BEZEL/YOKE ASSY/ GREEN AUST/ N	1	-	-	-	-	-	-	-	-	-
44	44 E-AD-7024240-0-DBU	70-24240-06	A	CRT/BEZEL/YOKE ASSY/AMBER/AUST/ N.	-	-	-	1	-	-	-	-	-	-
45	45 SEE GEN NOTE 1	36-26331-67	A	LABEL,SERIAL VT320-C3 ASSEMBLED IN	-	-	1	-	-	-	-	-	-	-
46	46 SEE GEN NOTE 1	36-26331-68	A	LABEL,SERIAL VT320-X2 MADE IN TAIW	-	-	-	-	-	-	-	-	-	1
47	47 K-DD-7024577-0-0	70-24577-05	A	MONITOR/LOGIC/ARC PROTECT (VT320-X	-	-	-	-	-	-	-	-	-	1
48	48 SEE GEN NOTE 1	36-30752-01	A	LABEL,LOGO VT320-XM	-	-	-	-	-	-	-	-	-	1
49	49	36-30752-02	A	LABEL,LOGO VT320-XM	-	-	-	-	-	-	-	-	-	1
50	50 SEE GEN NOTE 1	36-28183-08	A	LABEL,REGULATORY VT320,INTERNATION	-	-	-	-	-	-	-	-	-	-
51	51 SEE GEN NOTE 1	36-26331-65	A	*** THIS ITEM IS NOT USED ***	-	-	-	-	-	-	-	-	-	-
52	52 SEE GEN NOTE 1	36-26331-66	A	*** THIS ITEM IS NOT USED ***	-	-	-	-	-	-	-	-	-	-
53	53 K-DD-7024577-0-0	70-24577-06	A	MONITOR LOGIC W/ARC PROTECTION (LR	-	-	-	-	-	-	-	-	-	-
54	54 SEE GEN NOTE 1	36-26331-74	A	LABEL,SERIAL VT320-72,MADE IN TAIW	-	-	-	-	-	-	-	-	-	-
55	55 SEE GEN NOTE 1	36-26331-75	A	LABEL,SERIAL VT320-73,MADE IN TAIW	-	-	-	-	-	-	-	-	-	-
56	56 K-DD-7024577-0-0	70-24577-07	A	MONITOR & LOGIC W/ARC PROTECTION (-	-	-	-	-	-	-	-	-	-
57	57 E-AD-7024240-0-DBU	70-24240-07	A	CRT/BEZEL/YOKE ASSY	-	-	-	-	-	-	-	-	-	-
58	58 E-AD-7024245-0-DBU	70-24245-02	A	BOTTOM,ASSY	-	-	-	-	-	-	-	-	-	-
59	59 SEE GEN NOTE 1	36-26331-71	A	LABEL,SERIAL VT320-A6 LOW RADIATIO	-	-	-	-	-	-	-	-	-	-
60	60	EK-VT320-AD	A	VT320 ADDENDUM	-	-	-	-	-	-	-	-	-	-

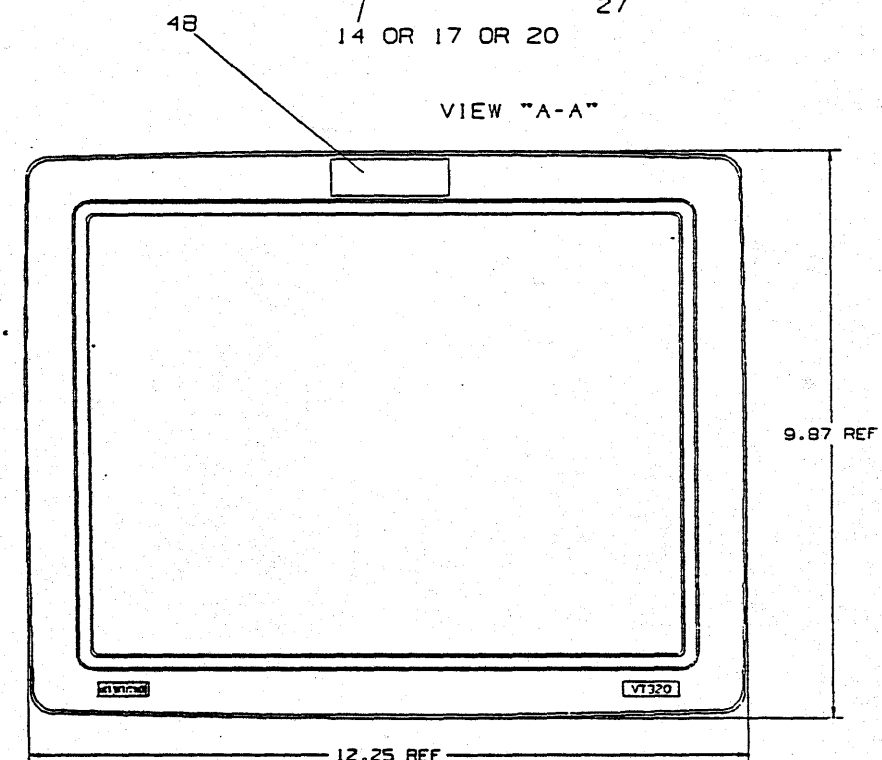
- 1 GEN: THE LABELS SPECIFIED ARE PRODUCTS MANUFACTURED IN TAIWAN.
- 2 GEN: (CONTINUED) WHEN MANUFACTURING SITE IS DIFFERENT, ALTERNATE LABEL VARIATIONS ARE MANDATORY.
- 3 GEN: (CONTINUED) REFER TO THE SPECIFICATION/S FOR THE SPECIFIC VARIATION TO BE USED.

D	I	G	I	T	A	L	TITLE	SECTION B	OF B	SIZE	CODE	DOCUMENT NUMBER	REV
							VT320 MONO TEXT TERMINAL W/ AND W/O POWER CORD			K	PL	VT320-0-DBP	J

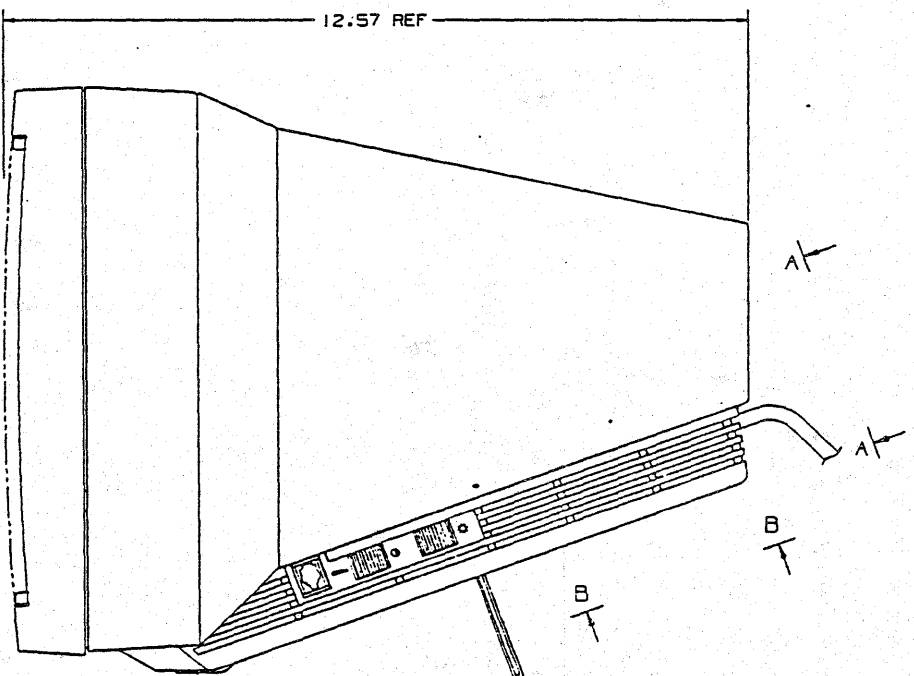
1987 DATA LINKAGE CONNECTION
 100-0-0211A
 EIA-232-D-000



VIEW "B-B"



VIEW "A-A"



-A2, -B2, -C2 AS SHOWN

- NOTES:
- TORQUE REQUIREMENT: 6-8 IN-LBS
 - POSITION VOLTAGE SELECTOR JUMPER ON POWER SUPPLY (ITEM 8) AS REQUIRED.
 - MARK ITEM 27 WITH SERIAL NUMBER PER DEC STD 0-47
- | MODEL | VOLTAGE |
|----------|---------|
| VT320-A2 | N/A |
| VT320-A3 | 240V |
| VT320-A5 | 240V |
| VT320-A6 | 240V |
| VT320-B2 | N/A |
| VT320-B3 | 240V |
| VT320-B5 | 240V |
| VT320-C2 | N/A |
| VT320-C3 | 240V |
| VT320-C5 | 240V |
| VT320-G2 | 120V |
| VT320-H2 | 120V |
| VT320-J2 | 120V |
| VT320-L2 | 120V |
| VT320-L3 | 240V |
| VT320-X2 | 120V |
| VT320-72 | 120V |
| VT320-73 | 240V |

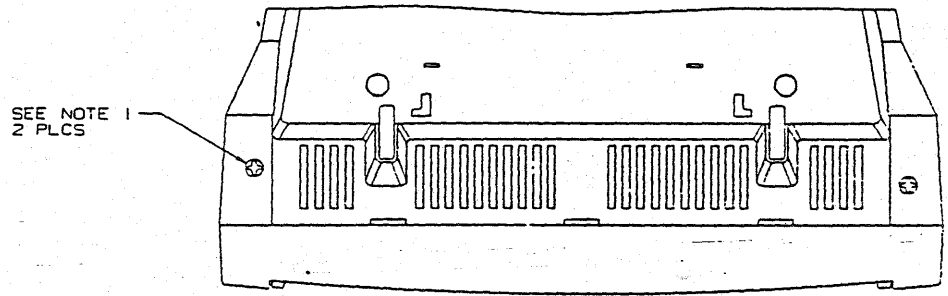
CAUTION: OFF SHEET PARTS LIST EXISTS
 SEE K-PL-VT320-0-DBP
 (MLA0360F.PLS)

REV	DESCRIPTION	DATE	BY	CHKD
1	RELEASED			
2	VT320-A1-000			
3	VT320-A1-000			
4	VT320-A1-000			
5	VT320-A1-000			
6	VT320-A1-000			
7	VT320-A1-000			
8	VT320-A1-000			
9	VT320-A1-000			
10	VT320-A1-000			

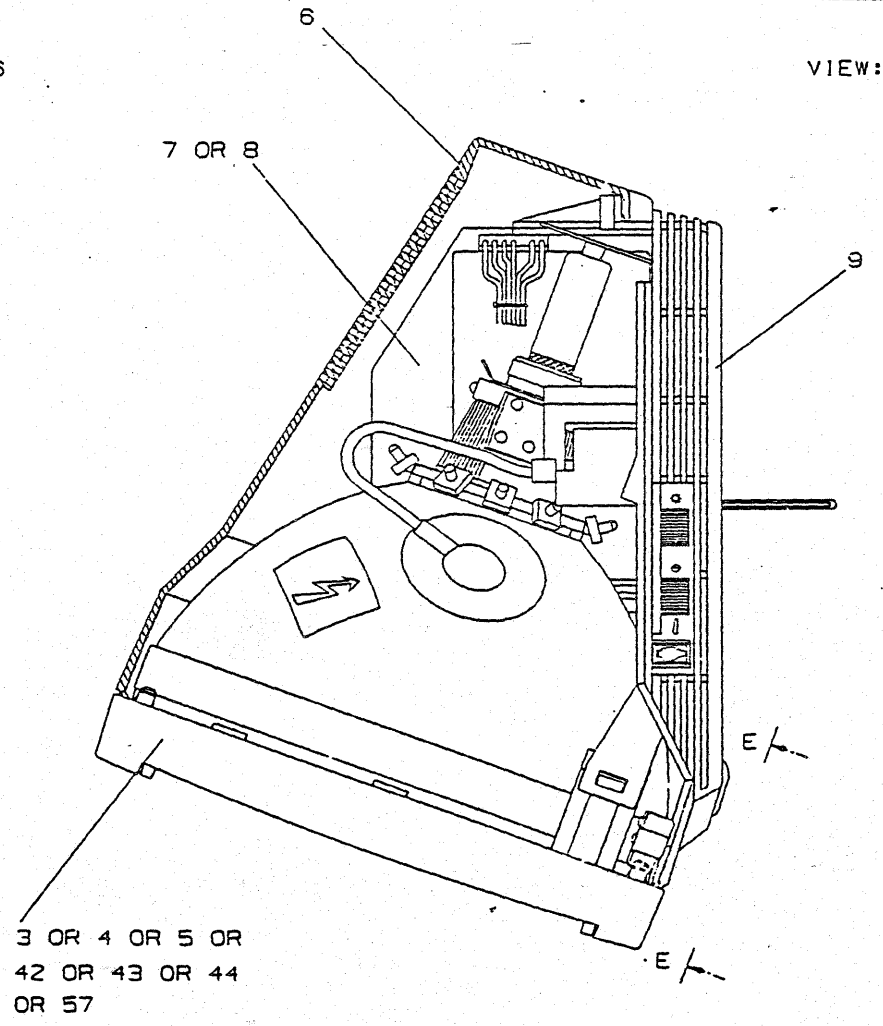
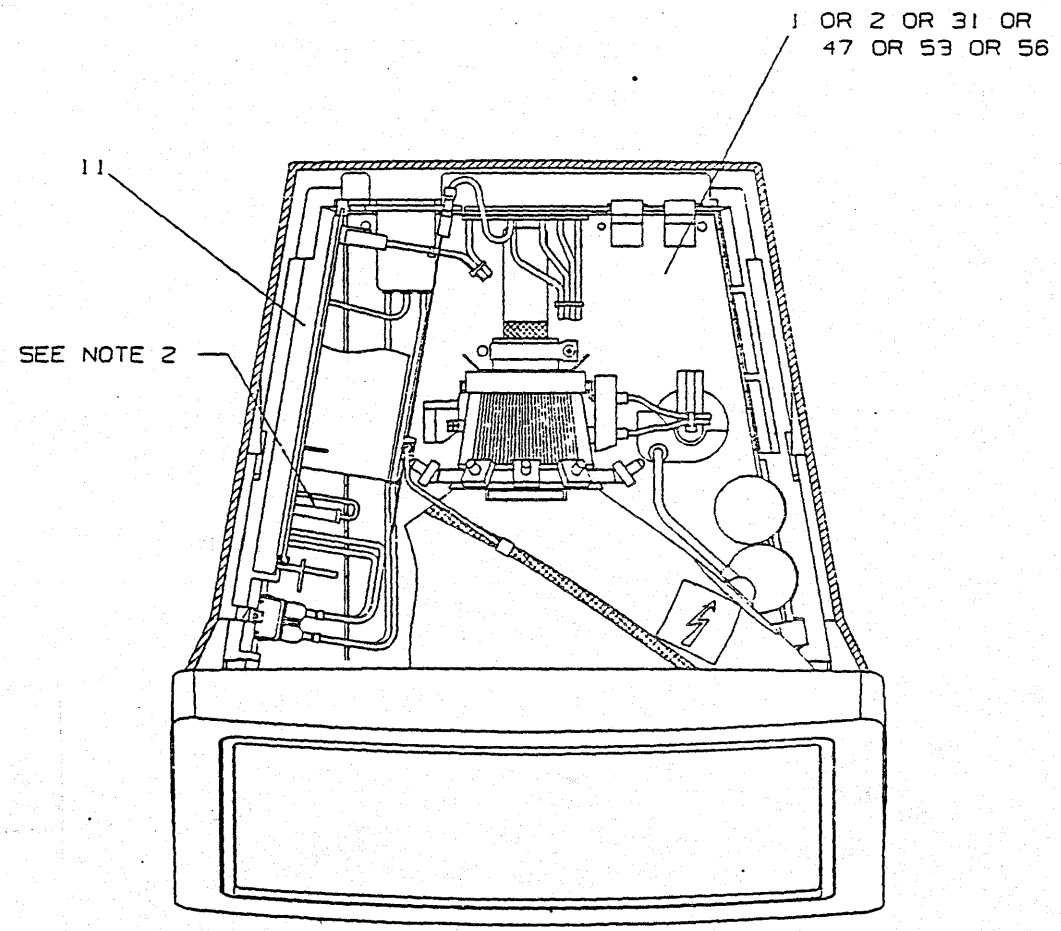
DESCRIPTION	DRAWING NO.	PART NO.	REV.
UNLESS OTHERWISE SPECIFIED DIMENSIONS ARE IN INCHES AND THE FOLLOWING TOLERANCES APPLY (PER DEC STD 114)			
APPLICABLE TOLERANCES			
QUANTITY & VARIATION			
THIRD ANGLE PROJECTION	DATE: 0-MAY-87	TITLE: digital	
DO NOT SCALE DRAWING	DATE: 2-MAY-87	TITLE: UNIT ASSY	
REMOVE BURRS AND BREAK SHARP CORNERS	DATE: 0-MAY-87		
DATE: 2-MAY-87	DATE: 2-MAY-87	DOCUMENT NUMBER: VT320-0-CBU	
DATE: 2-MAY-87	DATE: 2-MAY-87	SCALE: NONE	SHEET 1 OF 3

1987 SERIAL NUMBER 000000000000

INTERCONNECTION TABLE			
ITEM	FROM DESCRIPTION	ITEM	TO DESCRIPTION
1 OR 2 OR 30 OR 31 OR 47	MONITOR & LOGIC W/ARC PROTECTION FLYBACK	3 OR 4 OR 5 OR 42 OR 43 OR 44 OR 57	CRT/BEZEL/YOKE ASSY CRT ANODE
	MONITOR & LOGIC W/ARC PROTECTION ARC PROTECTION BOARD		CRT/BEZEL/YOKE ASSY CRT
	MONITOR & LOGIC W/ARC PROTECTION ARC PROTECTION BOARD	7 OR 8	POWER SUPPLY ASSY SHIELD GND TAB
	MONITOR & LOGIC W/ARC PROTECTION CONN/WIRE ASSY		POWER SUPPLY ASSY JS02
3 OR 4 OR 5 OR 42 OR 43 OR 44 OR 57	CRT/BEZEL/YOKE ASSY YOKE CABLE P1	1 OR 2	MONITOR & LOGIC W/ARC PROTECTION MONITOR MODULE J102
	CRT/BEZEL/YOKE ASSY GROUND STRAP ASSY	7 OR 8	POWER SUPPLY ASSY SHIELD GND TAB
1 OR 2 OR 31 OR 47 OR 53 OR 56	MONITOR & LOGIC W/ARC PROTECTION MONITOR, LOGIC CONTROL MODULE WIRE W/CONNECTOR AT PB	1 OR 2 OR 31 OR 47 OR 53 OR 56	MONITOR & LOGIC W/ARC PROTECTION MONITOR, LOGIC CONTROL MODULE, J7 IF PHILIPS CRT, J8 IF CLINTON CRT.



VIEW: "E-E"

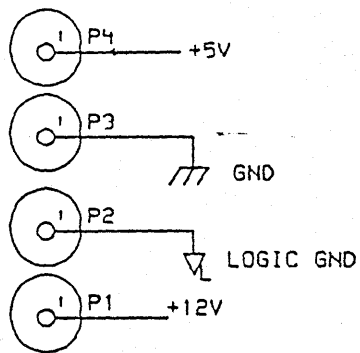


REVISION HISTORY		
DATE	ECO NUMBER	REV.

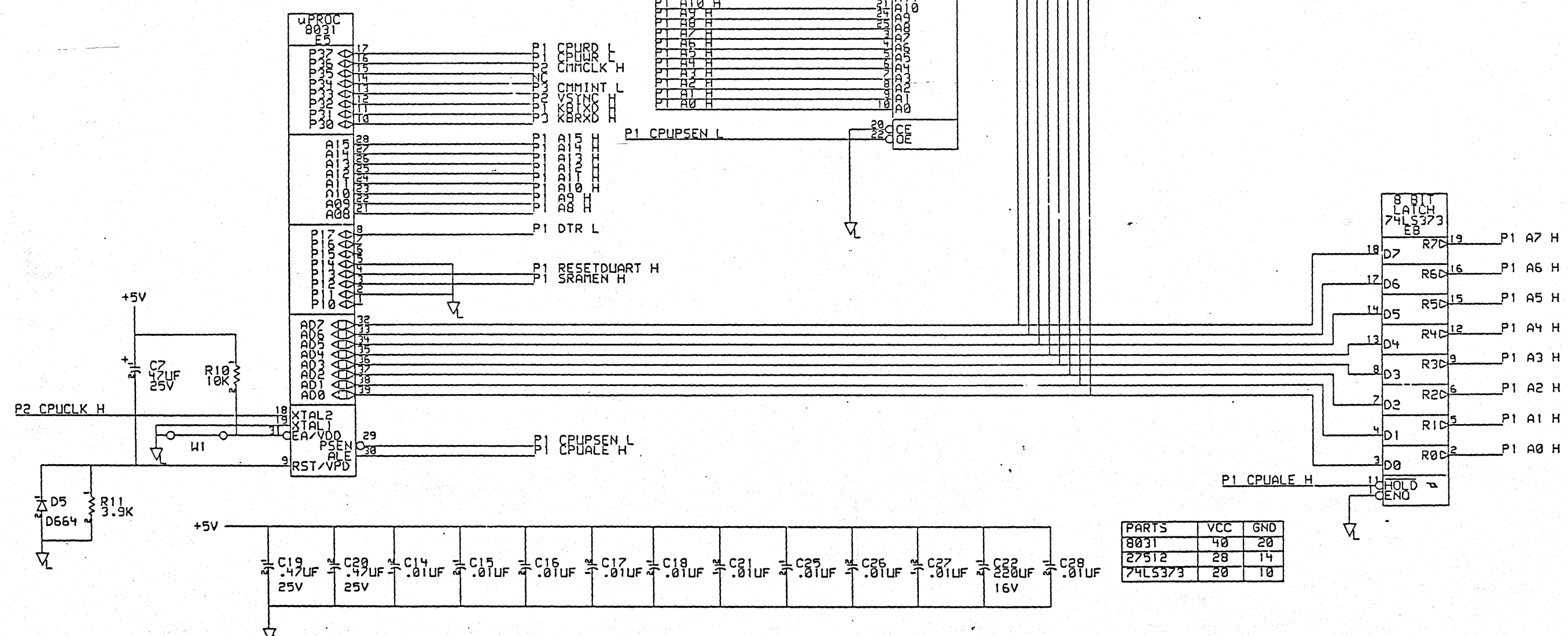
TITLE UNIT ASSY

DOCUMENT NUMBER			
REV.	DATE	BY	CHKD.
E	1/81	VT320-0-DBU	E
SCALE NONE SHEET 3 OF 3			

	U1 IN	U1 OUT
E5	8031	8051
E9	27512	MASKED ROM 23256



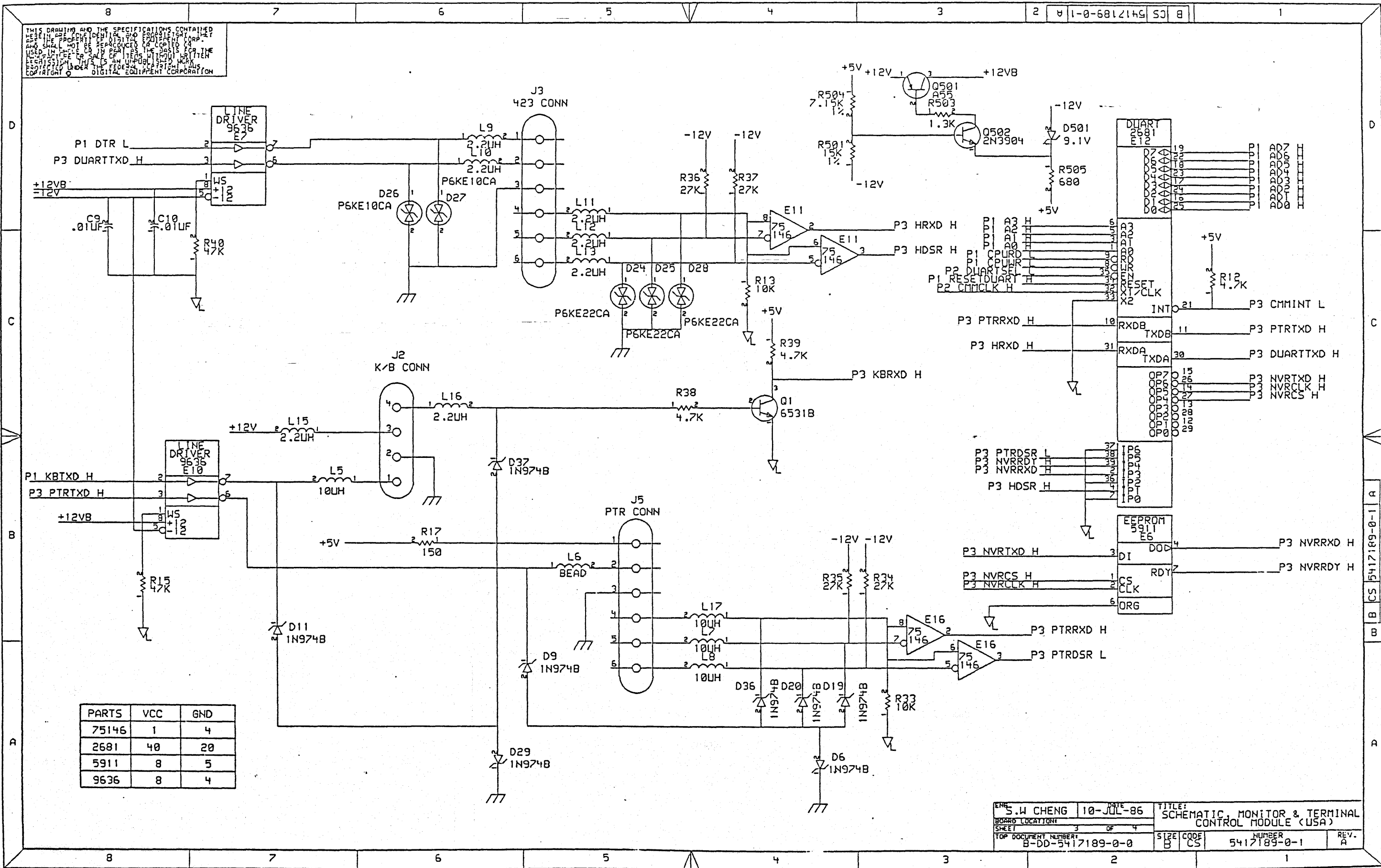
- NOTE: UNLESS OTHERWISE SPECIFIED:
1. ALL RESISTORS ARE EXPRESSED IN OHMS AND ARE 1/4W, +-5%.
 2. THE VOLTAGE OF ALL CAPACITORS ARE 50V.
 3. _____ EXPRESS (OFF THE BOARD).
 4. _____ EXPRESS (COMPONENTS LOCATED IN PACKAGE).
 5. _____ EXPRESS (HEAT SINK).
 6. _____ EXPRESS (COMPONENT NOT INSERTED).



PARTS	VCC	GND
8031	40	20
27512	28	14
74LS373	20	10

<small>THIS DRAWING AND THE SPECIFICATIONS CONTAINED HEREIN ARE THE IDENTICAL AND PROPRIETARY PROPERTY OF DIGITAL EQUIPMENT CORPORATION. THEY ARE TO BE KEPT IN CONFIDENCE AND NOT TO BE REPRODUCED OR COPIED OR USED IN ANY MANNER OR FOR ANY PURPOSES WITHOUT THE WRITTEN PERMISSION OF DIGITAL EQUIPMENT CORPORATION. THIS IS AN UNCLASSIFIED DOCUMENT RELEASED A</small>	REVISION CHK CHANGE NO. REV	DRAWING LAST_MODIFIED=Sat Jun 6 10:14:07 1987		DRN C.M WANG 6-MAY-86 DATE 6-MAY-86 CHK'D S.F LU	ENG S.W CHENG 6-MAY-86 DATE 6-MAY-86 BOARD LOCATION: 1 OF 4 SHEET	TITLE: SCHEMATIC, MONITOR & TERMINAL CONTROL MODULE (USA) TOP DOCUMENT NUMBER: B-DD-5417189-0-0	SIZE CODE: B CS NUMBER: 5417189-0-1 REV: A
	<small>USRA1 FIRST USED ON OPTION/PCCEL1</small>						

THIS DRAWING AND THE SPECIFICATIONS CONTAINED HEREIN ARE THE PROPERTY OF DIGITAL EQUIPMENT CORPORATION AND SHALL NOT BE REPRODUCED OR COPIED OR USED IN ANY MANNER WITHOUT WRITTEN PERMISSION UNDER THE TERMS OF THE LICENSE AGREEMENT WITH DIGITAL EQUIPMENT CORPORATION.

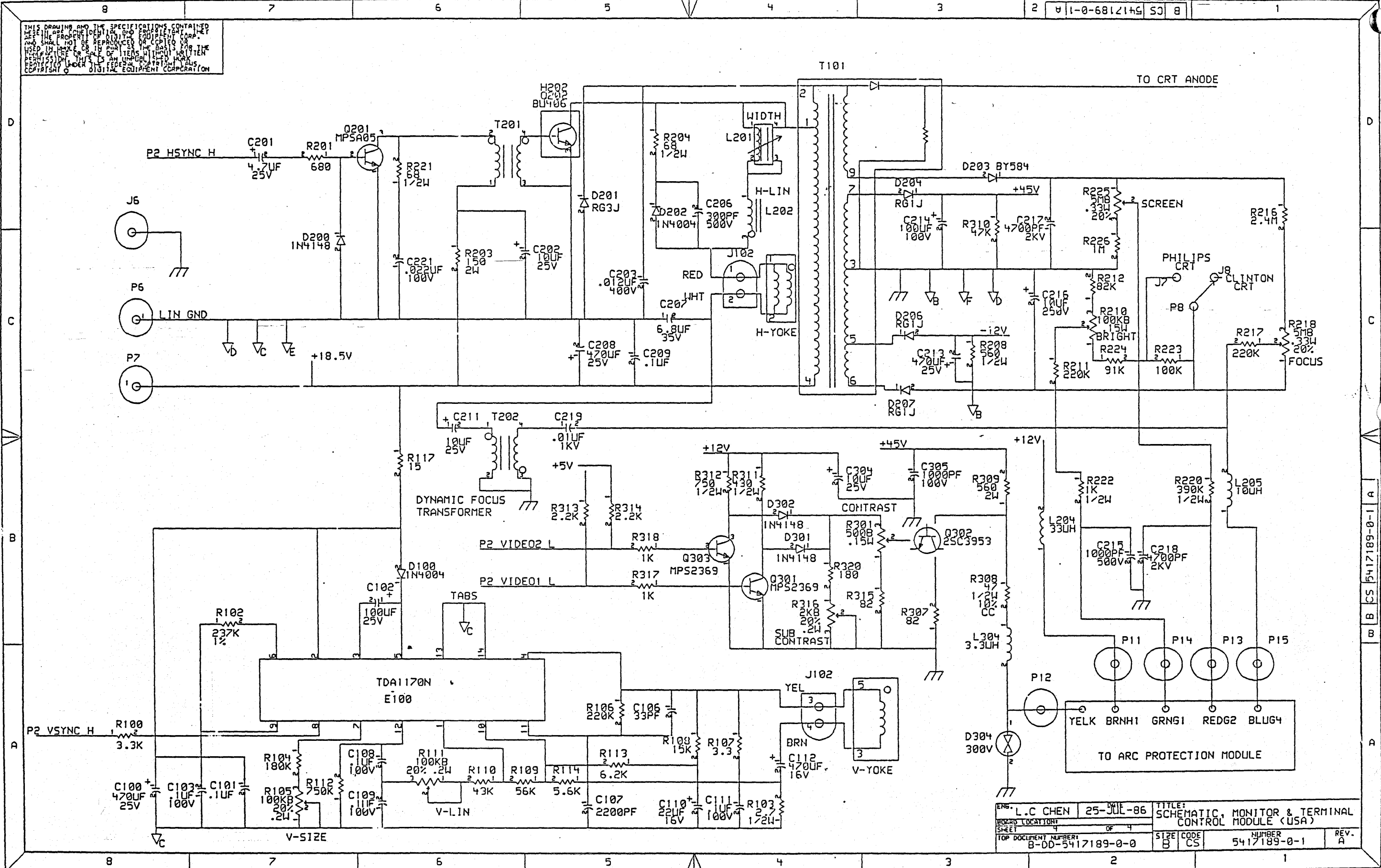


PARTS	VCC	GND
75146	1	4
2681	40	20
5911	8	5
9636	8	4

ENG: S.W. CHENG DATE: 10-JUL-86 TITLE: SCHEMATIC, MONITOR & TERMINAL CONTROL MODULE (USA)
 BOARD LOCATION: SHEET 3 OF 4
 TOP DOCUMENT NUMBER: B-DD-5417189-0-0 SIZE: B CODE: CS NUMBER: 5417189-0-1 REV: A

THIS DRAWING AND THE SPECIFICATIONS CONTAINED HEREIN ARE THE PROPERTY OF ANITECH CORPORATION AND SHALL NOT BE REPRODUCED OR COPIED OR USED IN ANY MANNER OR FOR ANY PURPOSES WITHOUT THE WRITTEN PERMISSION OF ANITECH CORPORATION. THIS DRAWING IS UNCLASSIFIED AND IS IN THE PUBLIC DOMAIN.

1-0-6812145 CS 8



ENG: L.C. CHEN	DATE: 25-JUL-86	TITLE: SCHEMATIC, MONITOR & TERMINAL CONTROL MODULE (USA)
SHEET: 4	OF: 4	
TOP DOCUMENT NUMBER: B-D0-5417189-0-0	SIZE: B	CODE: CS
	NUMBER: 5417189-0-1	REV: A

LINE	ITEM	TOP DOCUMENT	PART NUMBER	MIN REV	DESCRIPTION	QTY PER VAR/REV	REFERENCE DESIGNATORS
1	1	B-DD-5017188-0-0	50-17188-01	H	CIRCUIT DRILL & ETCH	1	
2	2		10-00010-00	39	PFD 100V +/- 5% 200PP	1	C8
3	3		10-01610-00	0.010	MFD 50V +80/-20% Z5U C	12	C9,C10,C14-C18,C21,C25-C28
4	4		10-02608-00	18	PFD 100V +/- 5% 200PP	1	C3
5	5		10-10279-01	0.47	MFD 25V +/-20% Z5U C	2	C19,C20
6	6		10-13466-04	33	PFD 50V +/- 5% NPO C	1	C106
7	7		10-13466-12	2200	PFD 50V +/-10% X7R C	1	C107
8	8		10-13466-22	0.10	MFD 50V +80/-20% Z5U C	2	C101,C209
9	9		10-16544-00	0.10	MFD 100V +/-10% MYLAR	1	C111
10	10		10-16553-00	4.7	MFD 25V +75/-10% ALU	1	C201
11	11		10-16570-00	1000	PFD 500V +80/-20% X5S/Z	1	C215
12	12		10-16572-00	300	PFD 500V +/-10% X5F/X	1	C206
13	13		10-18000-15	10	MFD 250V +50/-20% ALU	1	C216
14	14		10-18000-17	470	MFD 25V +50/-20% ALU	3	C100,C208,C213
15	15		10-18000-29	10	MFD 25V +75/-20% ALU	3	C202,C211,C304
16	16		10-18000-31	470	MFD 16V +50/-20% ALU	1	C112
17	17		10-18000-33	100	MFD 25V +50/-20% ALU	1	C102
18	18		10-18000-34	100	MFD 100V +50/-20% ALU	1	C214
19	19		10-18000-40	47	MFD 25V +/-20% ALU	1	C7
20	20		10-19559-02	0.010	MFD 1000V +/-20% Y5U/Z	1	C219
21	21		10-20446-12	220	MFD 16V +50/-10% ALU	1	C22
22	22		10-20604-03	0.10	MFD 100V +/- 5% MET.	3	C103,C108,C109
23	23		10-21480-07	0.012	MFD 400V +/- 5% POLYP	1	C203
24	24		10-22087-01	1000	PFD 100V +/-20% Z5P	1	C305
25	25		10-23486-03	22	MFD 16V +/-20% ALU	1	C110
26	26		10-27656-01	0.022	MFD 100V +/- 5% MET.	1	C221
27	27		10-28139-01	6.8	MFD 35V +/-20% ALU	1	C207
28	28		10-28377-01	4700	PFD 2000V +80/-20%	2	C217,C218
29	29		11-00114-00	PIV= 25	IO=135 MA	1	D5
30	30		11-05796-00	PIV= 400	IO= 1.00A 1N4004 DO-41	2	D100,D202
31	31		11-09990-00	VZ= 9.1	5% 400 MW 1N757A	1	D501
32	32		11-12594-02	PIV= 600	IO= 3.00A	1	D201

REVISION HISTORY		KPL MODULE FORMAT		SECTION A OF A		DRN: F LIU		DIGITAL	
ENG	ECO NUMBER	REV	SECTION/VARIATION INDEX		DATE: 20-NOV-86		TITLE: PARTS LIST		
---	INITIAL	A	[A] 01	[M]	CHK'D: B CHEN		MONITOR, LOGIC CONTROL MODULE		
			[B]	[N]	DATE: 20-NOV-86				
			[C]	[P]	DES.ENG: LC CHEN		DOCUMENT NUMBER		
			[D]	[Q]	DATE: 20-NOV-86		SIZE	CODE	NUMBER
			[E]	[R]	RESP.ENG.: CL CHUANG		K	PL	5417189-0-DBP
			[F]	[S]	DATE: 20-NOV-86				REV
			[H]	[T]	MFG.ENG: G.CHRISTIANSEN				A
			[J]	[V]	DATE: 09-JUN-87		RELEASE DATE: 16-JUN-87		
			[K]	[W]			RELEASE STATUS: RELEASED		
			[L]	[Y]					
BASIC PART NUMBER:		ASSEMBLY NUMBER:		TOP DOCUMENT NUMBER:		FILE NAME:		EDIT #	
5417189		D-UA-5417189-0-0		B-DD-5417189-0-0		MLA0776A.PLS		20	

"THIS DRAWING AND THE SPECIFICATIONS CONTAINED HEREIN ARE CONFIDENTIAL AND PROPRIETARY. THEY ARE THE PROPERTY OF DIGITAL EQUIPMENT CORPORATION AND SHALL NOT BE REPRODUCED OR COPIED OR USED IN WHOLE OR IN PART AS THE BASIS FOR THE MANUFACTURE OR SALE OF ITEMS WITHOUT WRITTEN PERMISSION. THIS IS AN UNPUBLISHED WORK PROTECTED UNDER THE FEDERAL COPYRIGHT LAWS."

LINE	ITEM	TOP DOCUMENT	PART NUMBER	MIN REV	DESCRIPTION	QTY PER VAR/REV	REFERENCE DESIGNATORS
						01 A1	
33	33		11-12595-02		PIV= 600 IO= 1.00A AXIAL	3	D204,D206,D207
34	34		11-16475-00		PIV= 75 - 4NS 1N4148	3	D200,D301,D302
35	35		11-21581-01		PIV=1500 IO= 60MA	1	D203
36	36		11-24037-01		VZ= 36.0 5% 400 MH 1N974B D0-35	8	D6,D9,D11,D19,D20,D29,D36,D37
37	37	SEE NOTE 1	11-26743-01		TRANS SUPP 600W 10V +/-	2	D26,D27
38	38	SEE NOTE 2	11-26743-02		TRANS SUPP 600W 22V +/-	3	D24,D25,D28
39	39		11-27611-01		DIA SURGE ABSORBER 300V +/-15%	1	D304
40	40		12-13071-06		INSULATOR,RUBBER SILICONE	1	
41	41		12-13921-11		HEAT SINK,EXTRUSION 1.380X1.50	1	H202
42	42		12-15006-07		SKT,IC 28PIN DIP TIN SOLD	1	XE9
43	43		12-15006-08		SKT,IC 40PIN DIP TIN SOLD	1	XE5
44	44		12-16521-00		PCB,HEADER 04PIN(1X04).156CC STR	1	J102
45	45		12-18826-07		CONN,PHONE JACK 04POS	1	J2
46	46		12-23433-02		CONN,LAN JACK 06 POS	2	J3,J5
47	47		12-28433-01		INSERT	6	
48	48		12-28433-02		INSERT	2	
49	49		12-28473-01		PCB HEADER PIN .06200 TIN	2	J7,J8
50	50		13-00250-00		150.0 .25 W 5.0 % CF	1	R17
51	51		13-00338-00		560.0 .50 W 5.0 % CF	1	R208
52	52		13-00354-00		750.0 .50 W 5.0 % CF	1	R312
53	53		13-00364-00		1.0 K .50 W 5.0 % CF	1	R222
54	54		13-00365-00		1.0 K .25 W 5.0 % CF	2	R317,R318
55	55		13-00417-00		2.20 K .25 W 5.0 % CF	2	R313,R314
56	56		13-00439-00		3.30 K .25 W 5.0 % CF	1	R100
57	57		13-00444-00		3.90 K .25 W 5.0 % CF	2	R11,R14
58	58		13-00447-00		4.70 K .25 W 5.0 % CF	3	R12,R38,R39
59	59		13-00479-00		10.0 K .25 W 5.0 % CF	3	R10,R13,R33
60	60		13-00496-00		15.0 K .25 W 5.0 % CF	1	R108
61	61		13-01322-00		180.0 .25 W 5.0 % CF	1	R320
62	62		13-01421-00		15.0 .25 W 5.0 % CF	1	R117
63	63		13-01424-00		680.0 .25 W 5.0 % CF	2	R201,R505
64	64		13-01477-00		82.0 .25 W 5.0 % CF	2	R307,R315
65	65		13-01874-00		5.60 K .25 W 5.0 % CF	1	R114
66	66		13-02092-00		220.0 K .25 W 5.0 % CF	3	R106,R211,R217
67	67		13-02177-00		47.0 K .25 W 5.0 % CF	3	R15,R40,R310
68	68		13-02395-00		56.0 K .25 W 5.0 % CF	1	R109
69	69		13-02397-00		180.0 K .25 W 5.0 % CF	1	R104
70	70		13-02466-00		100.0 K .25 W 5.0 % CF	1	R223
71	71		13-03219-00		82.0 K .25 W 5.0 % CF	1	R212
72	72		13-04838-00		43.0 K .25 W 5.0 % CF	1	R110
73	73		13-05253-00		7.15 K .25 W 1.0 % RN55D-F10	1	R504
74	74		13-05346-00		27.0 K .25 W 5.0 % CF	4	R34-R37
75	75		13-09405-00		68.0 .50 W 5.0 % CF	2	R204,R221
76	76		13-09595-00		1.0 M .25 W 5.0 % CF	1	R226
77	77		13-12931-00		6.20 K .25 W 5.0 % CF	1	R113
78	78		13-13752-00		15.0 K .25 W 1.0 % RN55D-F10	1	R501
79	79		13-14650-00		91.0 K .25 W 5.0 % CF	1	R224
80	80		13-14954-00		430.0 .50 W 5.0 % CF	1	R311
81	81		13-15437-00		237.0 K .25 W 1.0 % RN55D-F10	1	R102
82	82		13-16441-00		2.40 M .25 W 5.0 % CF	1	R216

D	I	G	I	T	A	L	TITLE	SECTION A OF A	SIZE	CODE	DOCUMENT NUMBER	REV
							MONITOR, LOGIC CONTROL MODULE		K	PL	5417189-0-DBP	A

LINE	ITEM	TOP DOCUMENT	PART NUMBER	MIN REV	DESCRIPTION	QTY PER VAR/REV	REFERENCE DESIGNATORS
						01 A1	
83	83		13-16507-00	2.70	.50 W 5.0 % CF	1	R103
84	84		13-19242-00	750.0 K	.25 W 5.0 % CF	1	R112
85	85		13-19471-16	150.0	2.0 W 5.0 % M.OXIDE	1	R203
86	86		13-19471-25	560.0	2.0 W 5.0 % M.OXIDE	1	R309
87	87		13-19563-01		POT-OPEN/TRIM 5.0M 0.33W 20.0	2	R218,R225
88	88		13-20608-01	3.30	.25 W 5.0 % CF	1	R107
89	89		13-20632-01	1.30 K	.25 W 5.0 % CF	1	R503
90	90		13-20713-01	390.0 K	.50 W 5.0 % CF	1	R220
91	91		13-27943-02		POT-OPEN/TRIM 100.0K 0.15W 20.0	1	R210
92	92		13-27943-03		POT-OPEN/TRIM 500.0 0.15W 20.0	1	R301
93	93		13-28026-01		POT-OPEN/TRIM 2.0K 0.2 W 20.0	1	R316
94	94		13-28026-03		POT-OPEN/TRIM 100.0K 0.2 W 20.0	2	R105,R111
95	95		13-28450-01	47.0	.50 W 10.0 % CC	1	R308
96	96		15-09338-00		DEC6531B NPN 310MH SI 40 90 P	1	Q1
97	97		15-09524-00		2N 3904 NPN 310MH SI 40 40 M	1	Q502
98	98		15-10705-00		XA 05 NPN 500MH SI 60 50 P	1	Q201
99	99		15-10706-00		XA 55 PNP 500MH SI 60 50 P	1	Q501
100	100	SEE NOTE 3	15-20857-01		MPS2369 NPN 350MH 40V 200MA T	2	Q301,Q303
101	101		15-27609-01		BU406 NPN 400V 60W T0220	1	Q202
102	102		15-28392-01		TRANSISTOR,VIDEO OUTPUT	1	Q302
103	103		16-13898-01		33.0 UH INDUCTOR	1	L204
104	104		16-18238-02		BEAD,FERRITE .1380DX.330LG	5	L1,L2,L6,L18,L20
105	105		16-21807-01		COIL,WIDTH,VARIABLE INDUCTOR	1	L201
106	106		16-27761-01		10.0 UH 10% Q= 55 @ 7.9MHZ SRF=	5	L5,L7,L8,L17,L205
107	107		16-27975-01		XFR,FLYBACK,HI VOLT 18.9KHZ	1	T101
108	108		16-28226-01		CHOKE COIL 2.2UH 10%	7	L9-L13,L15,L16
109	109		16-28286-01		XFMR,HOR BUFFER	1	T201
110	110		16-28287-01		COIL,LINEARITY	1	L202
111	111		16-28364-01		XFMR,DYNAMIC FOCUS LP=15MH TURNS	1	T202
112	112		16-28365-01		CHOKE,RF COATED 3.3UH 10% Q=65@7	1	L304
113	113		18-28361-01		XTAL 26.366 MHZ	1	Y3
114	114		19-15219-00		LS373 FF-D OCTAL-TRANSPARE	1	E8
115	115		19-15415-00		9636 DRIVER,DUAL,EIA RS-4	2	E7,E10
116	116		19-27621-01		VERT DEFLECTION CHIP	1	E100
117	117		19-27782-01		DUAL LINE RECEIVER	2	E11,E16
118	118		21-20068-01		2681 REC./TRANS.,ASYNC.,D	1	E12
119	119		21-20115-02		8031AH MICROPROCESSOR,8BIT	1	E5
120	120		21-21384-03		RAM 8KX8,STATIC 120	2	E3,E4
121	121		21-27705-02		DC7081 CONTROLLER,VIDEO+RAM,420	1	E2
122	122		23-N4 -01		1024 EPROM	1	E6
123	123		23-47E7 -00		E7-01 UV	1	E9
124	124		36-18460-01		LABEL,BAR CODE BLANK .38 X1.5	1	
125	125	C-IA-7024307-0-DBU	70-24307-01 A		CONN/WIRE ASSY	1	
126	126	B-IA-7024576-0-DBU	70-24576-01 A		WIRE W/CONNECTOR	1	P8
127	127	B-IA-7024586-0-DBU	70-24586-01 A		WIRE W/PCB CRIMP	1	P11
128	128	B-IA-7024586-0-DBU	70-24586-02 A		WIRE W/PCB CRIMP	1	P12
129	129	B-IA-7024586-0-DBU	70-24586-03 A		WIRE W/PCB CRIMP	1	P13
130	130	B-IA-7024586-0-DBU	70-24586-04 A		WIRE W/PCB CRIMP	1	P14
131	131	B-IA-7024586-0-DBU	70-24586-05 A		WIRE W/PCB CRIMP	1	P15
132	132	C-MD-7434090-0-DBU	74-34090-01 A		THUMBWHEEL	2	

D	I	G	I	T	A	L	TITLE	SECTION A OF A	SIZE	CODE	DOCUMENT NUMBER	REV
							MONITOR, LOGIC CONTROL MODULE		K	PL	5417189-0-DBP	A

AUTOMATED BY VAXKPL (V1.3)

PARTS LIST

SHEET A4 OF A4

LINE	ITEM	TOP DOCUMENT	PART NUMBER	MIN REV	DESCRIPTION	QTY PER VAR/REV	REFERENCE DESIGNATORS
133	133		90-06010-01		SCREW, MACH PAN PHIL 4-	1	
134	134		90-06557-00		NUT, HEX EXT TOOTH LCKWSHR 4-40	1	
135	135		90-09185-00		JUMPER, WIRE, INSULATED, BLACK B	1	W1
136	136		90-10057-00		WASHER, SHOULDER INSULATG PPS	1	

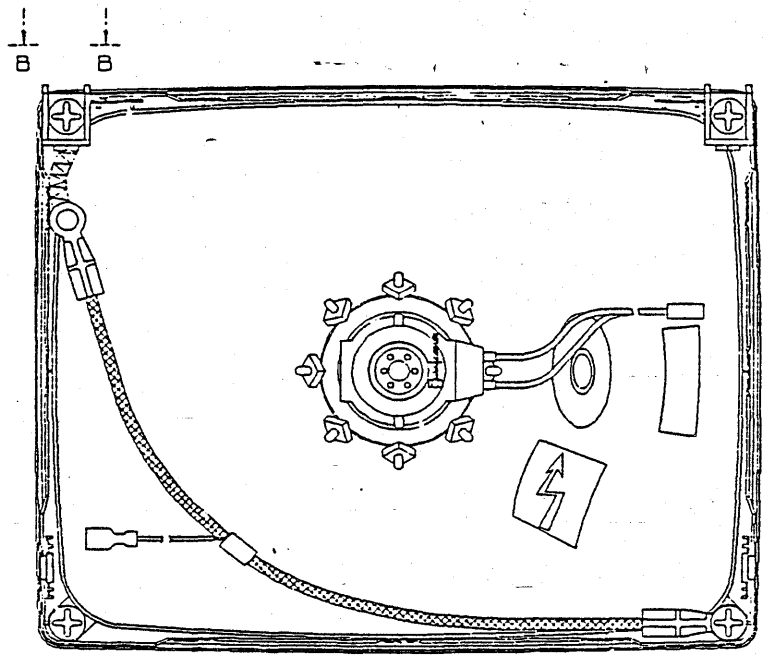
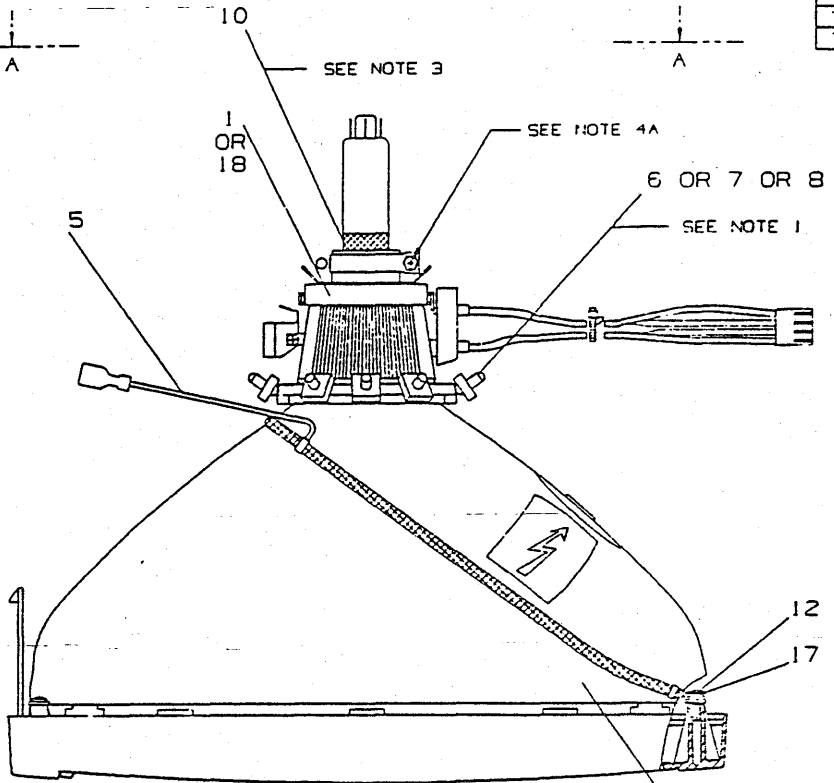
1 GEN: 11-26743-01 CAN BE SUBSTITUTED BY 11-28275-01.
 2 GEN: 11-26743-02 CAN BE SUBSTITUTED BY 11-28275-02.
 3 GEN: 15-20857-01 CAN BE SUBSTITUTED BY 15-21002-01.

D	I	G	I	T	A	L	TITLE	SECTION A OF A	SIZE	CODE	DOCUMENT NUMBER	REV
							MONITOR, LOGIC CONTROL MODULE		K	PL	5417189-0-DBP	A

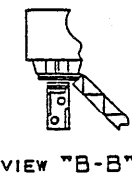
1987
 1017024240-0-DBU

PART NO		REV.	DESCRIPTION	PART NO		REV.	DESCRIPTION
7024240-01	AO2		W/WHT CRT	7024240-04	AO1		W/WHT CRT FOR AUSTRALIAN N.2
7024240-02	AO2		W/GRN CRT	7024240-05	AO1		W/GRN CRT FOR AUSTRALIAN N.2
7024240-03	AO2		W/AMB CRT	7024240-06	AO1		W/AMB CRT FOR AUSTRALIAN N.2
7024240-07	AO1		W/WHT CRT				

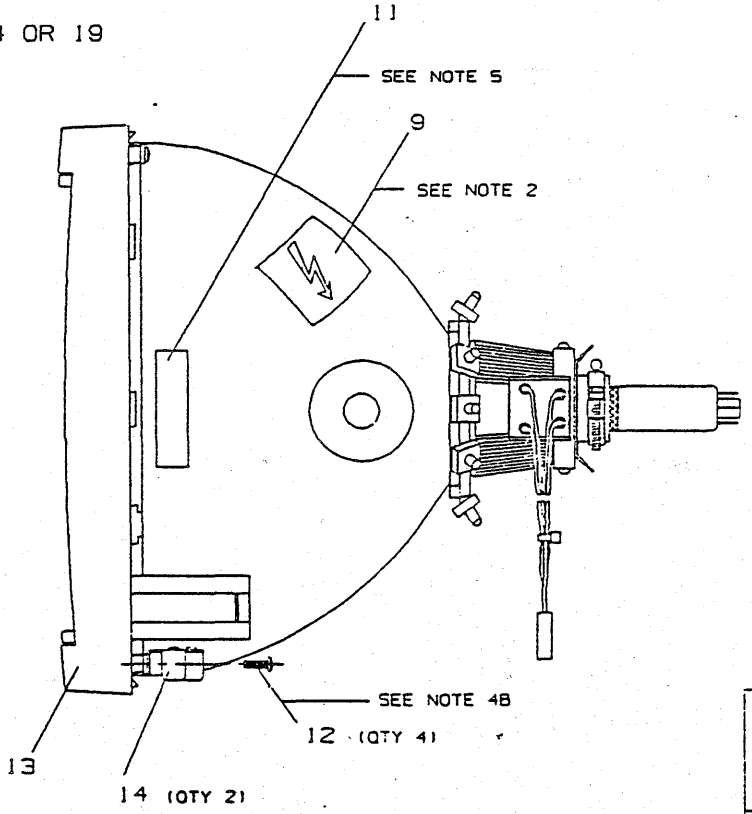
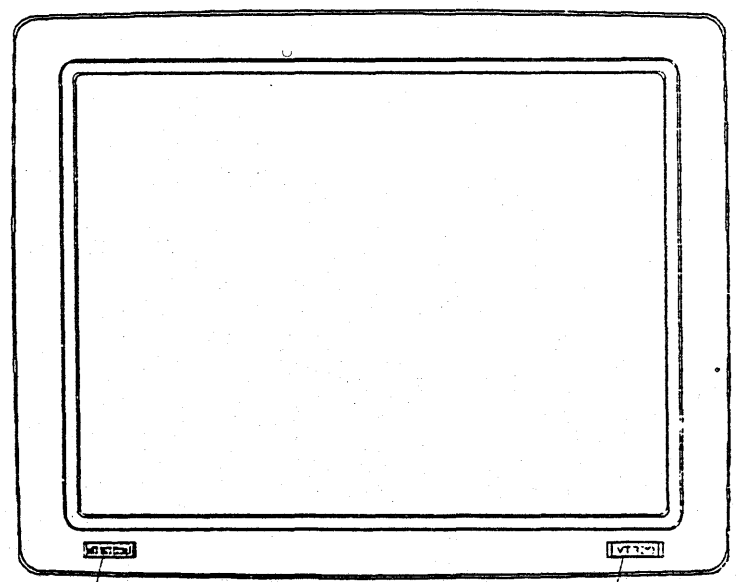
- NOTE:
1. USE MAGNETS AS REQUIRED FOR PINCUSION CORRECTION. MAINTAIN SETTINGS OF MAGNETS WITH HOT WAX OR SEAL.
 2. LOCATE APPROXIMATE WHERE SHOWN WITH ARROW POINTING TO ANODE CONNECTION
 3. LOCATE TAPE, ITEM 10 APPROXIMATELY AS SHOWN. (UNDER YOKE CLAMP)
 4. TORQUE REQUIREMENT:
 A) YOKE CLAMP 4-6 IN-LBS
 B) ITEM 12 8-10 IN-LBS
 5. MARK ITEM 11 WITH PART NO AND REV. PER DEC STD 047. LOCATED APPROXIMATELY AS SHOWN



VIEW: "A-A"



VIEW "B-B"



CAUTION : OFF SHEET PARTS LIST EXISTS.
 SEE K-PL-7024240-0-DBP
 (MLA0714C.PLS)

REV.	DATE	BY	CHKD.	DESCRIPTION
1				ISSUED FOR PRODUCTION
2				REVISIONS
3				REVISIONS
4				REVISIONS
5				REVISIONS
6				REVISIONS
7				REVISIONS
8				REVISIONS

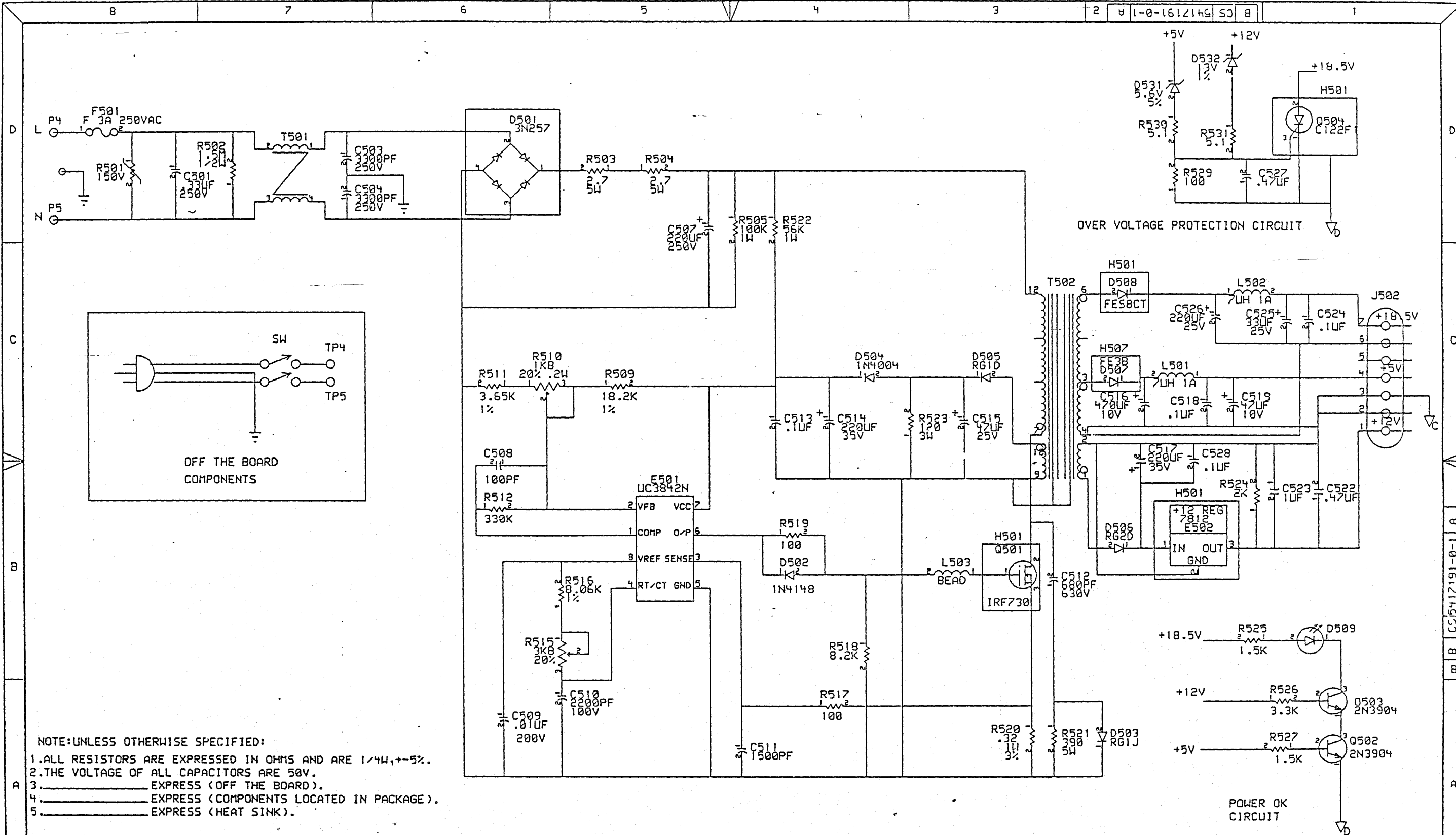
DESCRIPTION	DRAWING NO.	QUANTITY	UNIT
CRT/BEZEL/YOKE ASSY	E AD 7024240-0-DBU	1	EA

LINE	ITEM	TOP DOCUMENT	PART NUMBER	MIN REV	DESCRIPTION	QUANTITY PER VARIATION/REVISION						
						01 A02	02 A02	03 A02	04 A01	05 A01	06 A01	07 A01
1	1		12-28258-01	A	YOKE, DEFLECTION 14"	1	1	1	1	1	1	-
2	2		12-28178-01	A	TUBE, CATHODE RAY (PAPER WHITE)	1	-	-	1	-	-	-
3	3		12-28178-02	A	TUBE, CATHODE RAY (GREEN)	-	1	-	-	1	-	-
4	4		12-28178-03	A	TUBE, CATHODE RAY (AMBER)	-	-	1	-	-	1	-
5	5	C-IA-7024537-0-DBU	70-24537-01	A	GROUND STRAP ASSY	1	1	1	1	1	1	1
6	6		12-23217-01	A	MAGNET, PINCUSHION 6.0 GAUSS	A/R	A/R	A/R	A/R	A/R	A/R	A/R
7	7		12-23217-02	A	MAGNET, PINCUSHION 8.5 GAUSS	A/R	A/R	A/R	A/R	A/R	A/R	A/R
8	8		12-23217-03	A	MAGNET, PINCUSHION 15.5 GAUSS	A/R	A/R	A/R	A/R	A/R	A/R	A/R
9	9		35-10267-00	A	LABEL, DANGER HIGH VOLTAGE, SMOOTH	1	1	1	1	1	1	1
10	10	SEE NOTE # 10	36-15670-01	A	TAPE, FIBGLAS ADH 1.0 WDX .007T	4	4	4	4	4	4	4
11	11		36-18460-03	A	LABEL, BAR CODE BLANK .90 X2.2	1	1	1	1	1	1	1
12	12		90-09800-08	A	SCREW, THD RL, PAN PHIL F/PLAS	4	4	4	4	4	4	4
13	13	E-MD-7434073-0-DBU	74-34073-01	A	BEZEL	1	1	1	1	1	1	1
14	14	B-MD-7435851-0-DBU	74-35851-01	A	ENCLOSURE, TAB	2	2	2	2	2	2	2
15	15	B-IA-7433851-0-DBU	74-33851-02	A	LOGO, DIGITAL, 250 X .870	1	1	1	1	1	1	1
16	16	B-IA-7435733-0-DBU	74-35733-01	A	NAMEPLATE, VT320	1	1	1	1	1	1	1
17	17		12-26940-01	A	WASHER, LOCK	1	1	1	1	1	1	1
18	18		12-31517-01	A	YOKE, DEFLECTION 14" 90D	-	-	-	-	-	-	1
19	19		12-31663-01	A	CRT, 14" MONOCHROME W/ESF COATING P	-	-	-	-	-	-	1

10 NOTE: QTY FOR ITEM 10 IS IN INCHES.

REVISION HISTORY		KPL MATRIX FORMAT		SECTION A OF A	DRN: C. J. LEE	D I G I T A L			
ENG	ECO NUMBER	REV	SECTION/VARIATION	INDEX	DATE: 17-SEP-86				
---	INITIAL	A	[A]	01,02,03,04,05,06,07	CHK'D: R. J. LIN	TITLE PARTS LIST			
BB	7024240-MLO01	B	[B]		DATE: 14-MAY-87	CRT/BEZEL/YOKE ASSY			
TF	VT320-XX-MLO04	C	[C]		DES. ENG: J. KUO				
MB	VT320-XX-MLO08	D	[D]		DATE: 17-SEP-86	DOCUMENT NUMBER			
			[E]			SIZE	CODE	NUMBER	REV
			[F]		RESP. ENG.: O. LIN	K	PL	7024240-0-DBP	D
			[H]		DATE: 14-MAY-87				
			[J]		MFG. ENG: GORDON WU	RELEASE DATE: 23-OCT-89			
					DATE: 11-JUN-87	RELEASE STATUS: RELEASED			
BASIC PART NUMBER:		ASSEMBLY NUMBER:		TOP DOCUMENT NUMBER:		EDIT #			
7024240		E-AD-7024240-0-DBU		E-AD-7024240-0-DBU		3			
FILE NAME: MLA0714D.PLS									

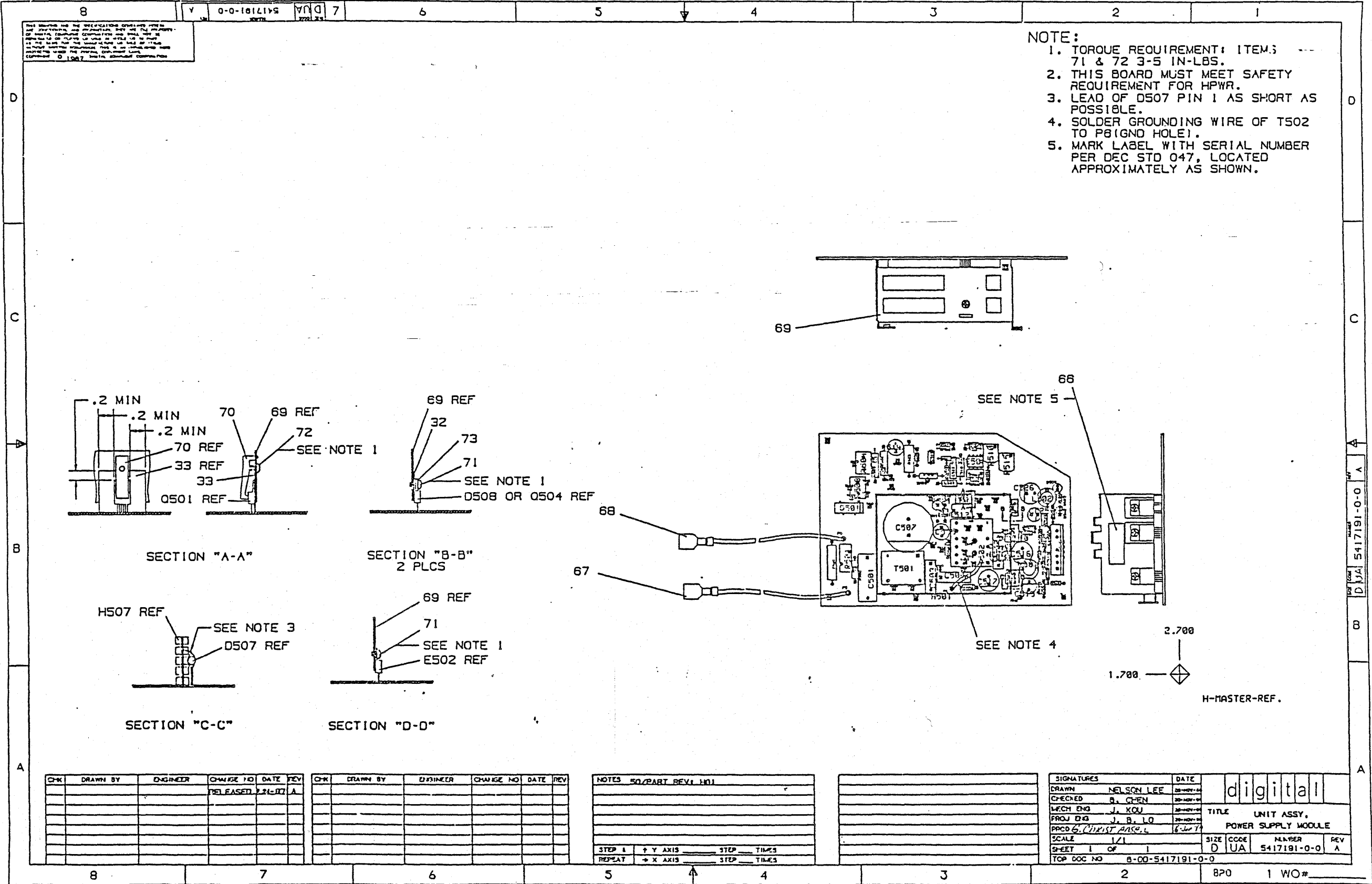
"THIS DRAWING AND THE SPECIFICATIONS CONTAINED HEREIN ARE CONFIDENTIAL AND PROPRIETARY. THEY ARE THE PROPERTY OF DIGITAL EQUIPMENT CORPORATION AND SHALL NOT BE REPRODUCED OR COPIED OR USED IN WHOLE OR IN PART AS THE BASIS FOR THE MANUFACTURE OR SALE OF ITEMS WITHOUT WRITTEN PERMISSION. THIS IS AN UNPUBLISHED WORK PROTECTED UNDER THE FEDERAL COPYRIGHT LAWS."



NOTE: UNLESS OTHERWISE SPECIFIED:
 1. ALL RESISTORS ARE EXPRESSED IN OHMS AND ARE 1/4W, +/-5%.
 2. THE VOLTAGE OF ALL CAPACITORS ARE 50V.
 3. _____ EXPRESS (OFF THE BOARD).
 4. _____ EXPRESS (COMPONENTS LOCATED IN PACKAGE).
 5. _____ EXPRESS (HEAT SINK).

THIS DRAWING AND THE SPECIFICATIONS CONTAINED HEREIN ARE THE PROPERTY OF DIGITAL EQUIPMENT CORPORATION AND SHALL NOT BE REPRODUCED OR COPIED OR USED IN ANY MANNER OR BY ANY PARTS THEREOF WITHOUT THE EXPRESS WRITTEN PERMISSION OF DIGITAL EQUIPMENT CORPORATION.		REVISION CHK CHANGE NO REV	DRAWING LAST_MODIFIED=Thu Jun 4 11:42:06 1987	digital FIRST USED 0-4 OPTION MODEL:	CRK C.M. WANG CRK S.F. LU	DATE 04-JUL-86 DATE 04-JUL-86	ENG Victor Lin BOARD LOCATION:	DATE 04-JUL-86 SHEET OF	TITLE: SCHEMATIC, POWER SUPPLY MODULE (USA)	SIZE CODE B CS	NUMBER 5417191-0-1	REV. A
---	--	-------------------------------	--	---	------------------------------	----------------------------------	-----------------------------------	----------------------------	---	----------------	--------------------	--------

A
 B
 C
 D
 1
 2
 3
 4
 5
 6
 7
 8
 1-0-1612149 53 8



- NOTE:**
1. TORQUE REQUIREMENT: ITEMS 71 & 72 3-5 IN-LBS.
 2. THIS BOARD MUST MEET SAFETY REQUIREMENT FOR HPWR.
 3. LEAD OF D507 PIN 1 AS SHORT AS POSSIBLE.
 4. SOLDER GROUNDING WIRE OF T502 TO P8(GND HOLE).
 5. MARK LABEL WITH SERIAL NUMBER PER DEC STD 047, LOCATED APPROXIMATELY AS SHOWN.

CHK	DRAWN BY	ENGINEER	CHANGE NO	DATE	REV	CHK	DRAWN BY	ENGINEER	CHANGE NO	DATE	REV
			RELEASED	2/21/77	A						

STEP	↑ Y AXIS	STEP	TIMES
REPEAT	→ X AXIS	STEP	TIMES

SIGNATURES		DATE	digital
DRAWN	NELSON LEE	28-MAY-77	
CHECKED	B. CHEN	28-MAY-77	TITLE UNIT ASSY. POWER SUPPLY MODULE
MECH ENG	J. KOU	28-MAY-77	
PROJ ENG	J. B. LO	28-MAY-77	
PRCD	G. Christensen	6-JUN-77	
SCALE	1/1		SIZE CODE NUMBER REV
SHEET	1 OF 1		D UA 5417191-0-0 A
TOP DOC NO	8-00-5417191-0-0		BPO 1 WO#

LINE	ITEM	TOP DOCUMENT	PART NUMBER	MIN REV	DESCRIPTION	QTY PER VAR/REV	REFERENCE DESIGNATORS
1	1	B-DD-5017190-0-0	50-17190-01	H	CIRCUIT DRILL & ETCH	1	
2	2		10-10274-02		1.0 MFD 50V +80/-20% Z5U C	1	C523
3	3		10-10978-60		0.10 MFD 50V +/-10% X7R C	3	C513,C518,C524
4	4		10-12312-01		0.47 MFD 50V +80/-20% Z5U C	2	C522,C527
5	5		10-13466-06		100 PFD 50V +/- 5% NPO C	1	C508
6	6		10-13466-22		0.10 MFD 50V +80/-20% Z5U C	1	C528
7	7		10-13466-29		1500 PFD 50V +/- 5% NPO C	1	C511
8	8		10-16639-00		0.010MFD 200V +/-10% MYLAR	1	C509
9	9		10-19413-06		220 MFD 250V +50/-20% ALU	1	C507
10	10		10-21480-08		680 PFD 630V +/-20% POLYP	1	C512
11	11		10-22398-01		470 MFD 10V +/-20% ALU	1	C516
12	12		10-24317-01		0.33 MFD 250VAC +/-20% LIN	1	C501
13	13		10-24375-02		3300 PFD 250VAC +/-20% LIN	2	C503,C504
14	14		10-24422-01		220 MFD 35V +/-20% ALU	1	C514
15	15		10-26456-01		2200 PFD 100V +/- 1% POLYPR	1	C510
16	16		10-27912-01		47 MFD 25 +/-20% ALU	1	C515
17	17		10-27942-01		220 MFD 25V +/-20% ALU	1	C526
18	18		10-27955-01		33 MFD 25V +/-20% ALU	1	C525
19	19		10-28104-01		47 MFD IPV +/-20% ALU	1	C519
20	20		10-28114-01		220 MFD 35V +/-20% ALU	1	C517
21	21		11-02808-00		VZ= 5.6 5% 400 MW 1N752A	1	D531
22	22		11-05796-00		PIV= 400 IO= 1.00A 1N4004 DO-41	1	D504
23	23		11-12595-01		PIV= 200 IO= 1.00A AXIAL	1	D505
24	24		11-12595-02		PIV= 600 IO= 1.00A AXIAL	1	D503
25	25		11-14384-00		LED 105MW 35mA GREEN	1	D509
26	26		11-16475-00		PIV= 75 - 4NS 1N4148	1	D502
27	27		11-17490-00		RECT,ULTRA FAST PIV= 150 IO= 8.0	1	D508
28	28		11-18411-00		VZ= 13.0 1% 500 MW 1N5243	1	D532
29	29		11-21435-01		RECT. ASSY PIV= 600 IO= 2.00A	1	D501
30	30		11-25363-04		RECT,ULTRA FAST PIV=200 IO= 2.0A	1	D506
31	31		11-28186-01		PIV= 100 IO= 3.0 A 35NS	1	D507
32	32		12-13071-06		INSULATOR,RUBBER SILICONE	2	

REVISION HISTORY		KPL MODULE FORMAT		SECTION A OF A		DRN: F. LIU		DIGITAL	
ENG	ECO NUMBER	REV	SECTION/VARIATION INDEX		DATE:	DATE: 20-NOV-86		SIZE	CODE
---	INITIAL	A	[A]	01	[M]	CHK'D:	B. CHEN	TITLE	PARTS LIST
			[B]		[N]	DATE:	20-NOV-86	POWER SUPPLY MODULE	
			[C]		[P]	DES.ENG:	V. LIN	DOCUMENT NUMBER	
			[D]		[Q]	DATE:	20-NOV-86	NUMBER	REV
			[E]		[R]	RESP.ENG.:	J. B. LO	K	PL
			[F]		[S]	DATE:	20-NOV-86	5417191-0-DBP	A
			[H]		[T]	MFG.ENG.:	G. CHRISTIANSEN	RELEASE DATE: 17-JUN-87	
			[J]		[V]	DATE:	09-JUN-87	RELEASE STATUS: RELEASED	
			[K]		[W]	BASIC PART NUMBER:		FILE NAME:	EDIT #
			[L]		[Y]	5417191		MLA0777A.PLS	19
						ASSEMBLY NUMBER:			
						D-UA-5417191-0-0			
						TOP DOCUMENT NUMBER:			
						B-DD-5417191-0-0			

"THIS DRAWING AND THE SPECIFICATIONS CONTAINED HEREIN ARE CONFIDENTIAL AND PROPRIETARY. THEY ARE THE PROPERTY OF DIGITAL EQUIPMENT CORPORATION AND SHALL NOT BE REPRODUCED OR COPIED OR USED IN WHOLE OR IN PART AS THE BASIS FOR THE MANUFACTURE OR SALE OF ITEMS WITHOUT WRITTEN PERMISSION. THIS IS AN UNPUBLISHED WORK PROTECTED UNDER THE FEDERAL COPYRIGHT LAWS."

AUTOMATED BY VAXKPL (V1.3)

PARTS LIST

SHEET A2 OF A2

LINE	ITEM	TOP DOCUMENT	PART NUMBER	MIN REV	DESCRIPTION	QTY PER VAR/REV	REFERENCE DESIGNATORS
						01 A1	
33	33		12-13071-22		INSULATOR,RUBBER SILICONE	1	
34	34		12-15228-03		HEAT SINKS,TO-220 1.250X0.87	1	H507
35	35		12-28096-01		FUSE,5X20 3.0 A 250V AXIAL LEA	1	F501
36	36		12-28477-01		PCB HEADER 07PIN(1X07) .156CC STR	1	J502
37	37		13-00229-00		100.0 .25 W 5.0 % CF	3	R517,R519,R529
38	38		13-00391-00		1.50 K .25 W 5.0 % CF	2	R525,R527
39	39		13-00439-00		3.30 K .25 W 5.0 % CF	1	R526
40	40		13-02091-00		330.0 K .25 W 5.0 % CF	1	R512
41	41		13-02388-00		2.0 K .25 W 5.0 % CF	1	R524
42	42		13-03179-00		8.20 K .25 W 5.0 % CF	1	R518
43	43		13-05337-00		3.65 K .25 W 1.0 % RN55D-F10	1	R511
44	44		13-09412-00		18.20 K .25 W 1.0 % RN55D-F10	1	R509
45	45		13-09422-00		5.10 .25 W 5.0 % CF	2	R530,R531
46	46		13-11996-00		VARISTOR 150VAC VOLT TRANS SUP	1	R501
47	47		13-18150-12		8.06 K .25 W 1.0 % RN55D-F10	1	R516
48	48		13-19470-50		56.0 K 1.0 W 5.0 % M.OXIDE	1	R522
49	49		13-19470-53		100.0 K 1.0 W 5.0 % M.OXIDE	1	R505
50	50		13-20725-01		1.50 M .50 W 5.0 % CF	1	R502
51	51		13-27013-07		390.0 5.0 W 5.0 % M.OXIDE	1	R521
52	52		13-27013-13		120.0 3.0 W 5.0 % M.OXIDE	1	R523
53	53		13-28026-02		POT-OPEN/TRIM 1.0K 0.2 W 20.0	1	R510
54	54		13-28026-07		POT-OPEN/TRIM 3.0K 0.2 W 20.0	1	R515
55	55		13-28257-01		2.7 5.0 W 5.0 % HW	2	R503,R504
56	56		13-28261-01		.32 1.0 W 3.0 % HW	1	R520
57	57		15-09524-00		2N 3904 NPN 310MH SI 40 40 M	2	Q502,Q503
58	58		15-19536-01		SCR PIV= 50 IO= 8.00A	1	Q504
59	59		15-28225-01		MOSFET 400V 5.5A 10HM	1	Q501
60	60		16-18238-02		BEAD,FERRITE .1380DX.330LG	1	L503
61	61		16-28285-01		CHOKE COIL 7.0UH	2	L501,L502
62	62		16-28362-01		XFMR,SWITCH MODE (USA ONLY)	1	T502
63	63		16-28430-01		XFMR FILTER 1KHZ	1	T501
64	64		19-12048-05		7812 VOLT REG,FIX +12V	1	E502
65	65		19-23626-01		PWM OFF-LINE CURRENT	1	E501
66	66		36-18460-01		LABEL,BAR CODE BLANK .38 X1.5	1	
67	67	B-IA-7023276-0-DBU	70-23276-05	A	WIRE W/FASTON	1	P5
68	68	B-IA-7023276-0-DBU	70-23276-06	A	WIRE W/FASTON	1	P4
69	69	B-IA-7024553-0-DBU	70-24553-01	A	ENCLOSURE, SHIELD W/GND TABS	1	H501
70	70	C-MD-7435248-0-DBU	74-35248-01	A	CLIP	1	
71	71		90-08301-01		SCREW,MACH PAN PHIL 4-	3	
72	72		90-09800-02		SCREW,THD RL,PAN PHIL F/PLAS	1	
73	73		90-10057-00		WASHER,SHOULDER INSULATG PPS	2	

D	I	G	I	T	A	L	TITLE	SECTION A OF A	SIZE	CODE	DOCUMENT NUMBER	REV
							POWER SUPPLY MODULE		K	PL	5417191-0-DBP	A

LINE ITEM TOP DOCUMENT

PART NUMBER REV

DESCRIPTION

01 02
B02 A01

QUANTITY PER VARIATION/REVISION

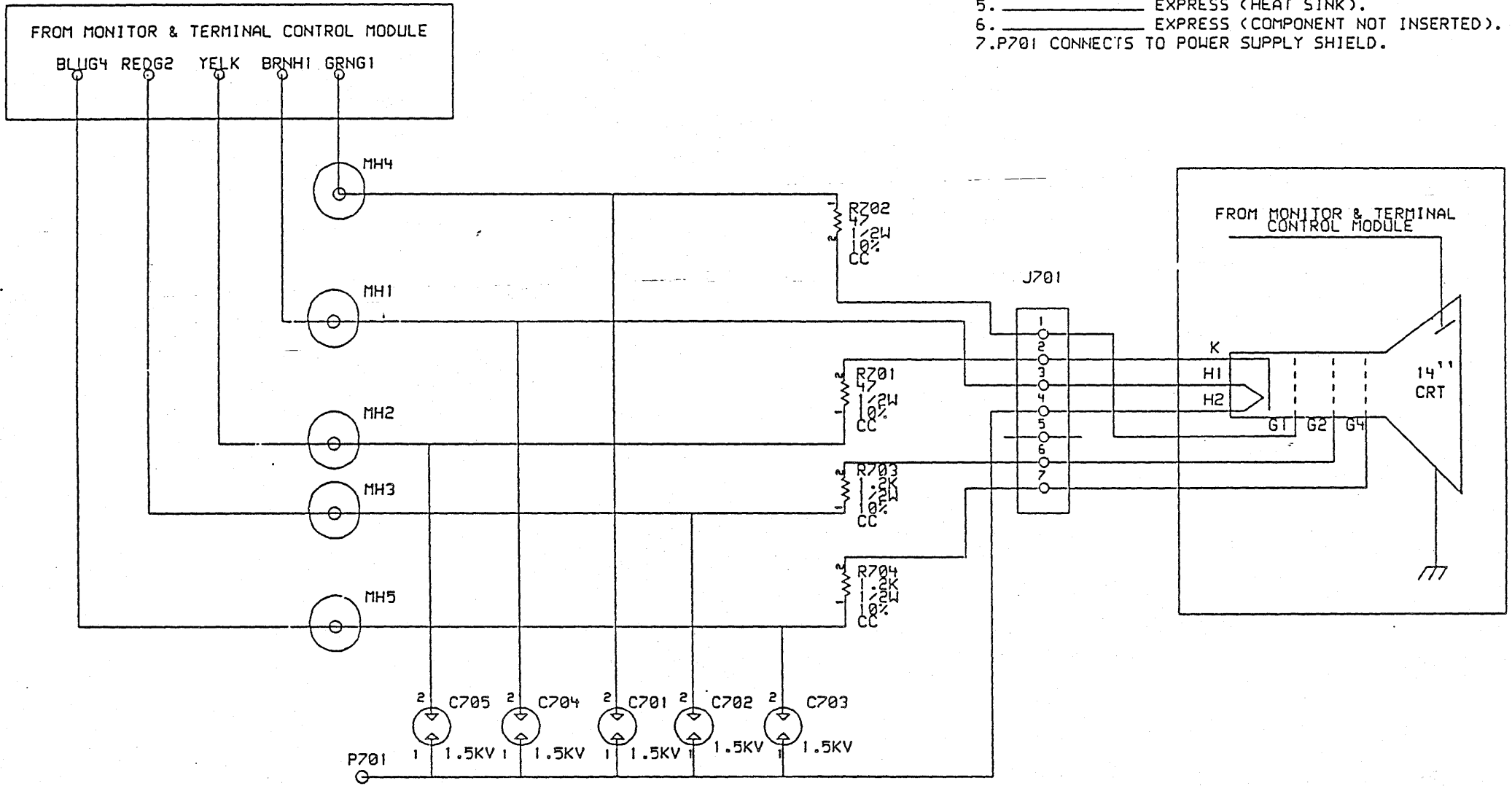
1	1	E-MD-7434075-0-DBU	74-34075-01	A	BOTTOM	1	1
2	2	D-MD-7434076-0-DBU	74-34076-01	B	ARM,LEFT,TILT	1	1
3	3	B-MD-7434077-0-DBU	74-34077-01	A	SHAFT,TILT	1	1
4	4	D-MD-7434078-0-DBU	74-34078-01	B	ARM,TILT,RIGHT	1	1
5	5		12-28165-01		SPRING,TORSION .2700D	2	2
6	6		12-28163-01		SPRING,COMPRESSION .2600DX .70 LG	1	1
7	7		12-28243-01		BUMPER,FRONT	2	2
8	8		12-28360-01		WASHER,SPECIAL	2	2
9	9		36-18460-03		LABEL,BAR CODE BLANK .90 X2.2	1	2
10	10		12-29298-01		PAD,FOOT	2	2
11	11	C-IA-7026540-0-DBU	70-26540-01	A	SHIELDING BOTTOM ASSY	-	1

REVISION HISTORY			KPL MATRIX FORMAT		SECTION A OF A		DRN: C.J. LEE		D I G I T A L			
ENG	ECO NUMBER	REV	SECTION/VARIATION INDEX		DATE: 17-SEP-86		CHK'D: R.J. LIN		TITLE PARTS LIST			
---	INITIAL	A	[A]	01,02	DATE: 08-MAY-87		DES.ENG: J. KOU		DOCUMENT NUMBER			
BB	7024245-ML001	B	[B]		DATE: 17-SEP-86		RESP.ENG.: O. LIN		SIZE	CODE	NUMBER	REV
BB	7024245-ML002	C	[C]		DATE: 09-MAY-87		MFG.ENG: GORDON WU		K	PL	7024245-0-DBP	D
MB	VT320-XX-ML008	D	[D]		DATE: 11-JUN-87		DATE: 11-JUN-87		RELEASE DATE: 05-OCT-89			
			[E]						RELEASE STATUS: RELEASED			
			[F]									
			[H]									
			[J]									
BASIC PART NUMBER:			ASSEMBLY NUMBER:		TOP DOCUMENT NUMBER:		EDIT #					
7024245			E-AD-7024245-0-DBU		E-AD-7024245-0-DBU		1					
FILE NAME: MLA0719D.PLS												

"THIS DRAWING AND THE SPECIFICATIONS CONTAINED HEREIN ARE CONFIDENTIAL AND PROPRIETARY. THEY ARE THE PROPERTY OF DIGITAL EQUIPMENT CORPORATION AND SHALL NOT BE REPRODUCED OR COPIED OR USED IN WHOLE OR IN PART AS THE BASIS FOR THE MANUFACTURE OR SALE OF ITEMS WITHOUT WRITTEN PERMISSION. THIS IS AN UNPUBLISHED WORK PROTECTED UNDER THE FEDERAL COPYRIGHT LAWS."

NOTE: UNLESS OTHERWISE SPECIFIED:

1. ALL RESISTORS ARE EXPRESSED IN OHMS AND ARE 1/4W, ±5%.
2. THE VOLTAGE OF ALL CAPACITORS ARE 50V.
3. _____ EXPRESS (OFF THE BOARD).
4. _____ EXPRESS (COMPONENTS LOCATED IN PACKAGE).
5. _____ EXPRESS (HEAT SINK).
6. _____ EXPRESS (COMPONENT NOT INSERTED).
7. P701 CONNECTS TO POWER SUPPLY SHIELD.



THIS DRAWING AND THE SPECIFICATIONS CONTAINED HEREIN ARE THE PROPERTY OF DIGITAL EQUIPMENT CORPORATION AND SHALL NOT BE REPRODUCED OR COPIED OR USED IN ANY MANNER, IN PART OR WHOLE, WITHOUT THE WRITTEN PERMISSION OF DIGITAL EQUIPMENT CORPORATION. THIS IS AN UNPUBLISHED DRAWING RELEASED A

REVISION	
CHK	CHANGE NO REV

DRAWING
LAST_MODIFIED=Sat Jun 6 09:47:02 1987

digital
FIRST USED ON OPTION/MODEL:

DRN. C.M WANG	DATE 12-MAY-87
CHK'D. S.F LU	DATE 12-MAY-87

ENG. C.E LIN	DATE 12-MAY-87
BOARD LOCATION: _____ OF _____ SHEET	
TOP DOCUMENT NUMBER: B-DD-5417339-0-0	

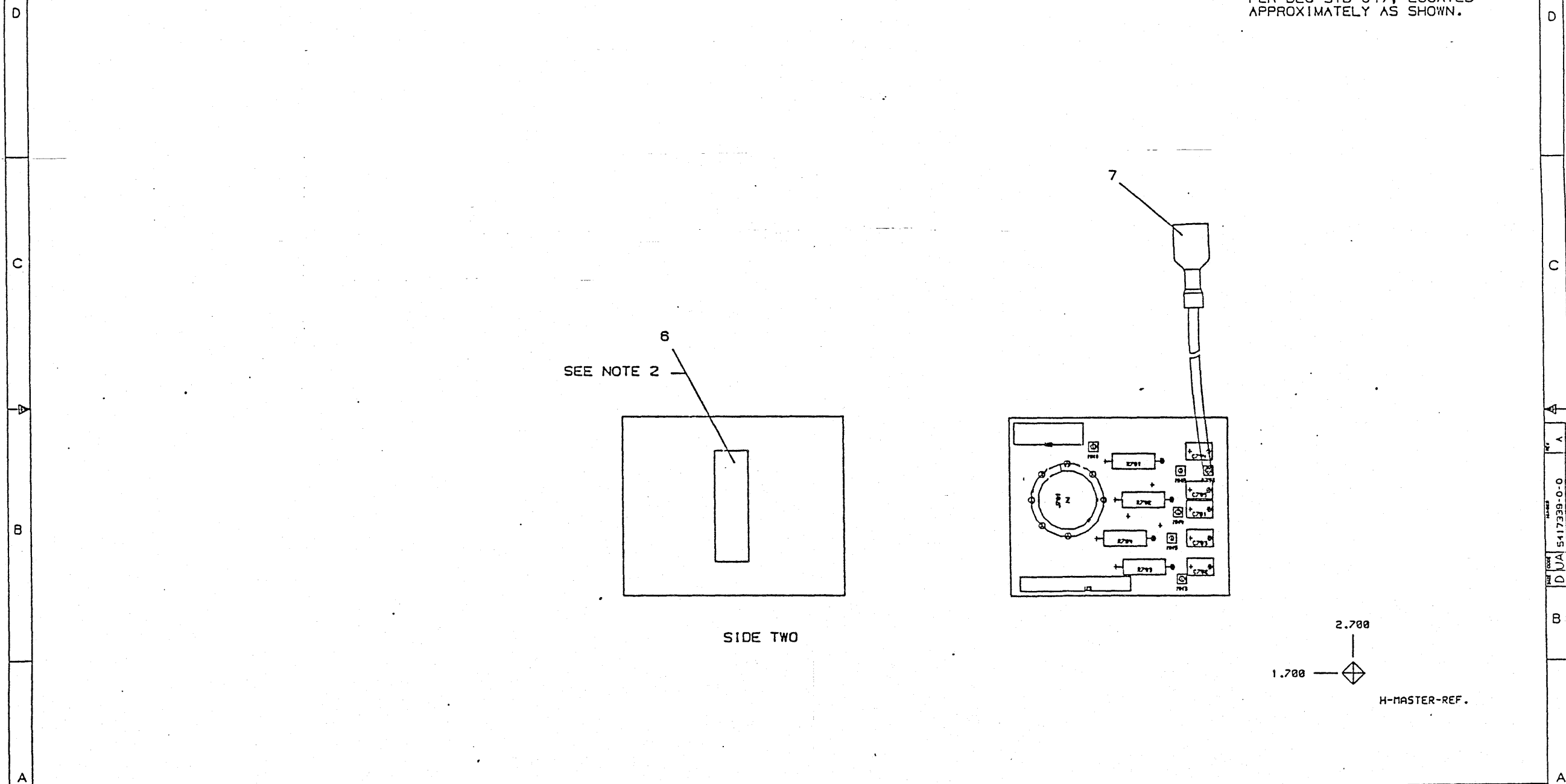
TITLE: ARC PROTECTION MODULE			
SIZE B	CODE CS	NUMBER 5417339-0-1	REV. A

A B CS 5417339-0-1 A

8 7 6 5 4 3 2 1

THIS DRAWING AND THE SPECIFICATIONS CONTAINED HEREIN ARE CONFIDENTIAL AND PROPRIETARY. THEY ARE THE PROPERTY OF THE UNITED STATES GOVERNMENT AND SHALL NOT BE REPRODUCED OR TRANSMITTED IN ANY FORM OR BY ANY MEANS, ELECTRONIC OR MECHANICAL, INCLUDING PHOTOCOPYING, RECORDING, OR BY ANY INFORMATION STORAGE AND RETRIEVAL SYSTEM, WITHOUT PERMISSION IN WRITING FROM THE UNITED STATES GOVERNMENT. GPO : 1967 O-344-344-1000

NOTE:
 1. THIS BOARD MUST MEET SAFETY REQUIREMENT FOR HFRR.
 2. MARK LABEL WITH SERIAL NUMBER PER DEC STD 047, LOCATED APPROXIMATELY AS SHOWN.



CHK	DRAWN BY	ENGINEER	CHANGE NO	DATE	REV
			RELEASED	AN-BT	A

CHK	DRAWN BY	ENGINEER	CHANGE NO	DATE	REV

NOTES 50/PART REV1 A01					
STEP	↑ Y AXIS	STEP	TIMES		
REPEAT	→ X AXIS	STEP	TIMES		

SIGNATURES		DATE	digital			
DRAWN	C. H. YU					
CHECKED	B. CHEN					
MECH ENG	J. KOU					
PROD ENG	S. W. CHENG					
SCALE 2/1			SIZE	CODE	NUMBER	REV
SHEET 1 OF 1			D	UA	5417339-0-0	A
TOP DOC NO 8-00-5417339-0-0						

8 7 6 5 4 3 2 1 WO#

D C B A

D UA 5417339-0-0

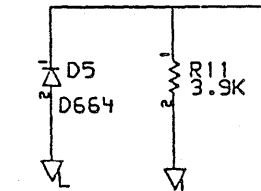
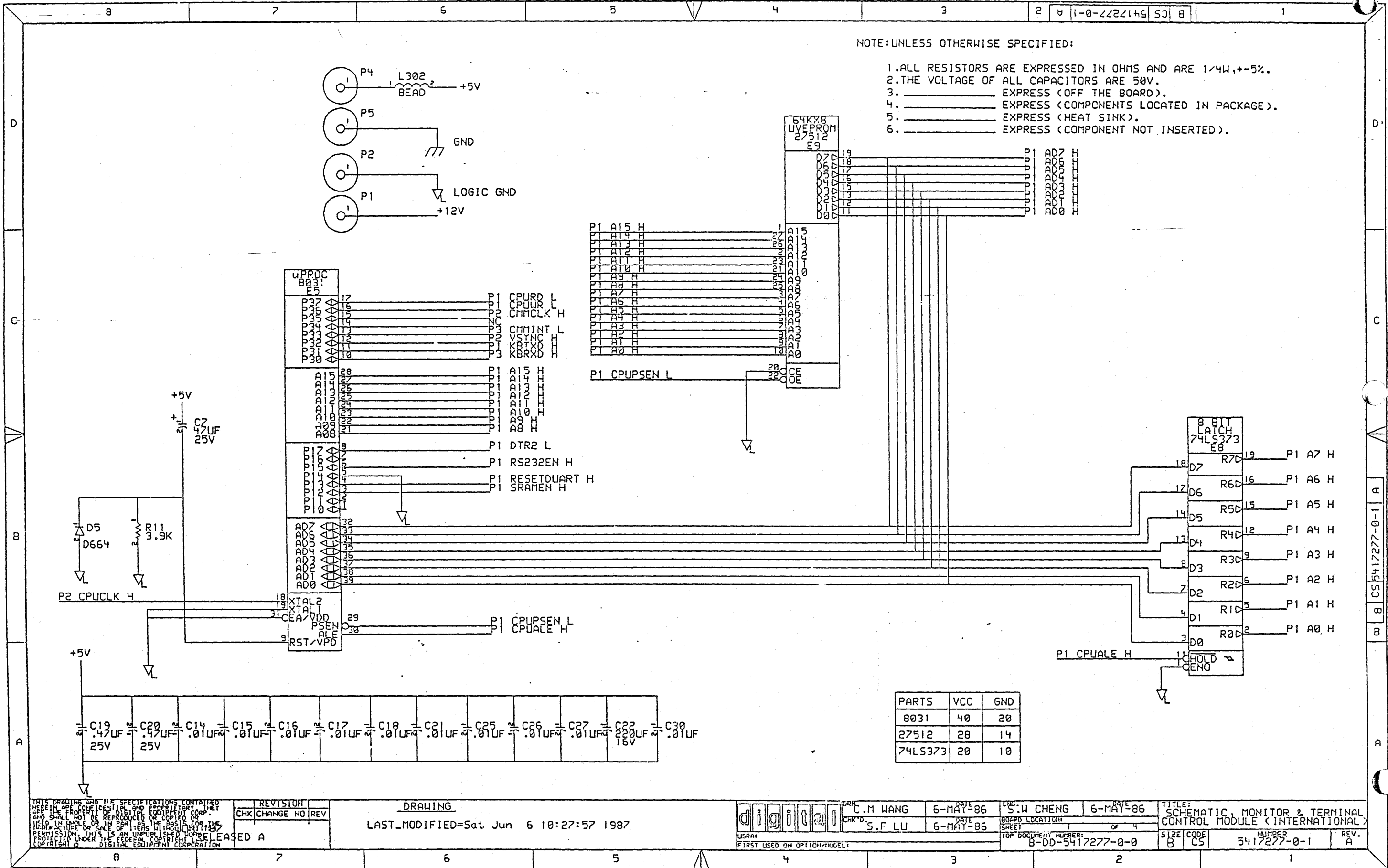
LINE	ITEM	TOP DOCUMENT	PART NUMBER	MIN REV	DESCRIPTION	QTY PER VAR/REV	REFERENCE DESIGNATORS
1	1	B-DD-5017338-0-0	50-17338-01	A	CIRCUIT DRILL AND ETCH	1	
2	2		10-27658-01		1.0 PFD 1500V + 0/-100%	5	C701-C705
3	3		12-28476-01		SKT,CRT 07POS BLK 2KV SPRK GA	1	J701
4	4		13-28450-01		47.0 .50 W10.0 % CC	2	R701,R702
5	5		13-28450-02		1.2 K .50 W10.0 % CC	2	R703,R704
6	6		36-18460-01		LABEL,BAR CODE BLANK .39 X1.5	1	
7	7	B-IA-7023276-0-0BU	70-23276-07	A	WIRE W/FASTON	1	P701

REVISION HISTORY			KPL MODULE FORMAT		SECTION A OF A		DRN: F LIU		DIGITAL			
ENG	ECO NUMBER	REV	SECTION/VARIATION INDEX		DATE: 20-NOV-86		CHK'D: B CHEN		TITLE PARTS LIST			
---	INITIAL	A	[A]	01	[M]		DATE: 20-NOV-86		ARC PROTECTION MODULE			
			[B]		[N]		DES.ENG: CE LIN		DOCUMENT NUMBER			
			[C]		[P]		DATE: 20-NOV-86		SIZE	CODE	NUMBER	REV
			[D]		[Q]		RESP.ENG.: SW CHENG		K	PL	5417339-0-DBP	A
			[E]		[R]		DATE: 20-NOV-86		RELEASE DATE: 16-JUN-87			
			[F]		[S]		MFG.ENG: G.CHRISTIANSEN		RELEASE STATUS: RELEASED			
			[H]		[T]		DATE: 09-JUN-87					
			[J]		[V]							
			[K]		[W]							
			[L]		[Y]							
			BASIC PART NUMBER:		ASSEMBLY NUMBER:		TOP DOCUMENT NUMBER:		FILE NAME:		EDIT #	
			5417339		D-UA-5417339-0-0		B-DD-5417339-0-0		MLA1527A.PLS		11	

"THIS DRAWING AND THE SPECIFICATIONS CONTAINED HEREIN ARE CONFIDENTIAL AND PROPRIETARY. THEY ARE THE PROPERTY OF DIGITAL EQUIPMENT CORPORATION AND SHALL NOT BE REPRODUCED OR COPIED OR USED IN WHOLE OR IN PART AS THE BASIS FOR THE MANUFACTURE OR SALE OF ITEMS WITHOUT WRITTEN PERMISSION. THIS IS AN UNPUBLISHED WORK PROTECTED UNDER THE FEDERAL COPYRIGHT LAWS."

NOTE: UNLESS OTHERWISE SPECIFIED:

1. ALL RESISTORS ARE EXPRESSED IN OHMS AND ARE 1/4W, +5%.
2. THE VOLTAGE OF ALL CAPACITORS ARE 50V.
3. _____ EXPRESS (OFF THE BOARD).
4. _____ EXPRESS (COMPONENTS LOCATED IN PACKAGE).
5. _____ EXPRESS (HEAT SINK).
6. _____ EXPRESS (COMPONENT NOT INSERTED).



C19	C20	C14	C15	C16	C17	C18	C21	C25	C26	C27	C22	C30
.47UF	.47UF	.01UF	.01UF	.01UF	.01UF	.01UF	.01UF	.01UF	.01UF	.01UF	.01UF	.01UF
25V	25V										15V	

PARTS	VCC	GND
8031	40	20
27512	28	14
74LS373	20	10

THIS DRAWING AND ITS SPECIFICATIONS CONTAINED HEREIN ARE UNCLASSIFIED AND PUBLIC INFORMATION AND SHALL NOT BE REPRODUCED OR COPIED FOR USE IN THE SALE OF ITEMS OF THE FEDERAL GOVERNMENT UNDER THE FEDERAL ACQUISITION REGULATION (FAR) 101-11.6. THIS IS AN UNPUBLISHED DOCUMENT. PERMISSION TO REPRODUCE THIS DOCUMENT IS GRANTED BY THE FEDERAL ACQUISITION REGULATION (FAR) 101-11.6.

REVISION	CHK	CHANGE NO	REV

DRAWING
 LAST_MODIFIED=Sat Jun 6 10:27:57 1987

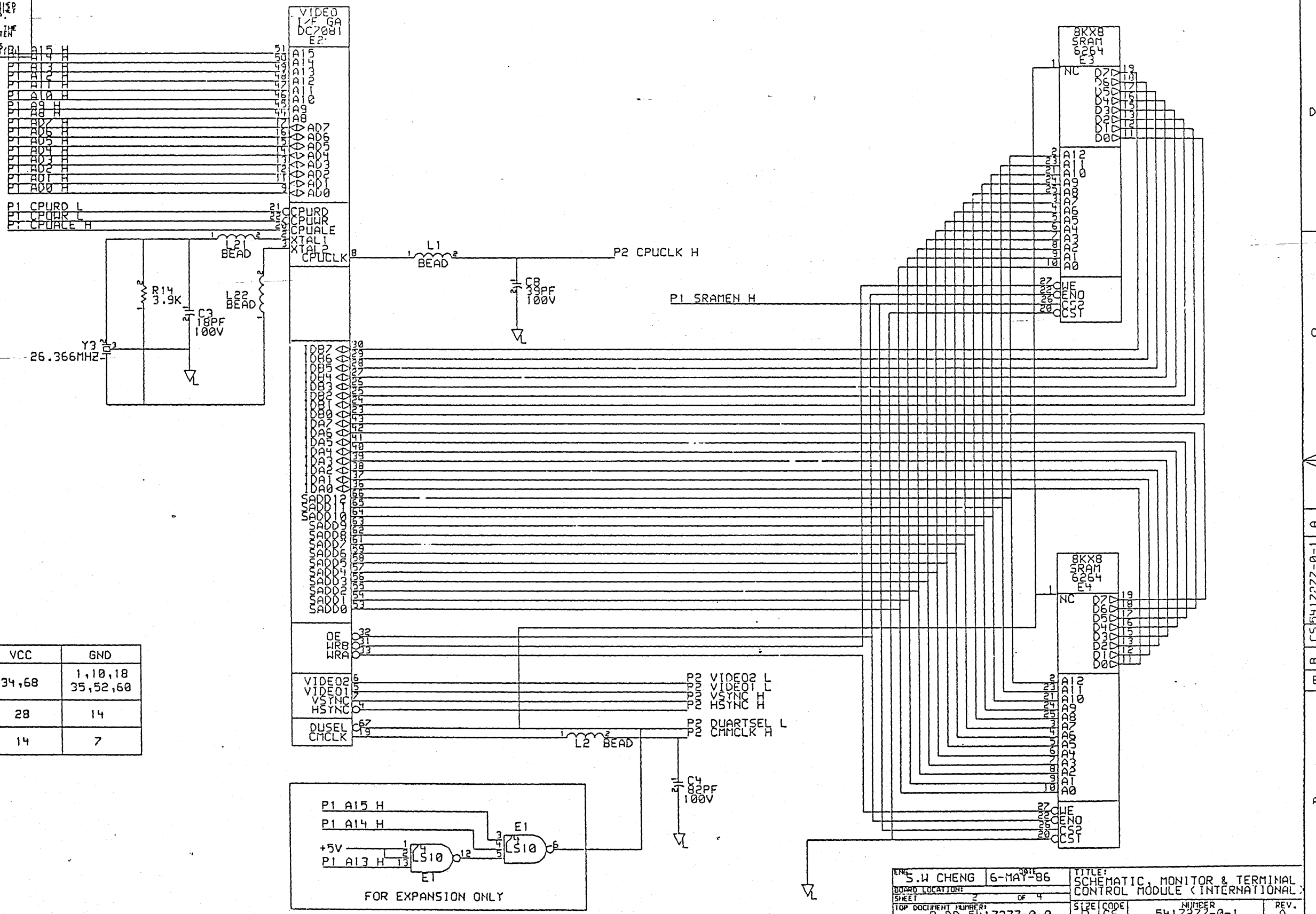
digital
 S.F LU

DATE 6-MAY-86
 DATE 6-MAY-86

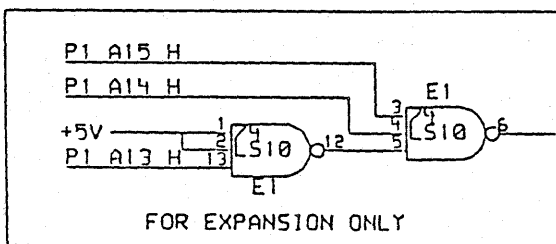
ENG. S.W CHENG
 BOARD LOCATION
 SHEET 4 OF 4

TITLE: SCHEMATIC, MONITOR & TERMINAL CONTROL MODULE (INTERNATIONAL)
 TOP DOCUMENT NUMBER: B-DD-5417277-0-0
 SIZE CODE: B CS
 NUMBER: 5417277-0-1
 REV. A

THIS DRAWING AND THE SPECIFICATIONS CONTAINED HEREIN ARE THE PROPERTY OF DIGITAL EQUIPMENT CORPORATION. NO PART SHALL BE REPRODUCED OR COPIED OR USED IN ANY MANNER OR BY ANY MEANS WITHOUT THE WRITTEN PERMISSION OF DIGITAL EQUIPMENT CORPORATION. COPYRIGHT © DIGITAL EQUIPMENT CORPORATION

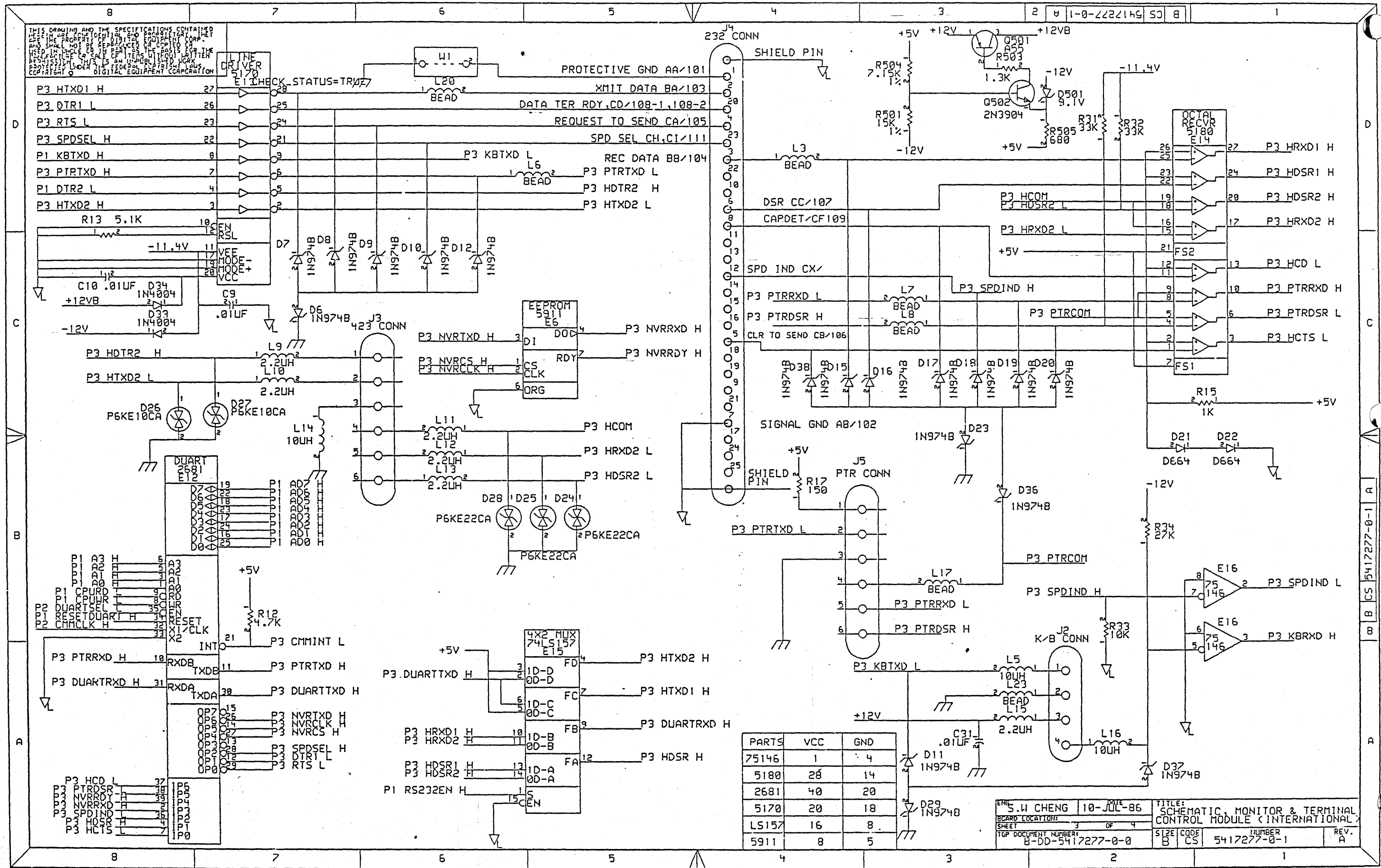


PARTS	VCC	GND
DC7081	34,68	1,10,18 35,52,60
6264	28	14
74LS10	14	7



ENG: S.W CHENG	DATE: 6-MAY-86	TITLE: SCHEMATIC, MONITOR & TERMINAL CONTROL MODULE (INTERNATIONAL)
BOARD LOCATION: 2	OF 4	
SHEET: 2	OF 4	
TOP DOCUMENT NUMBER: B-00-5417277-0-0	SIZE: B	CODE: CS
	NUMBER: 5417277-0-1	REV. A

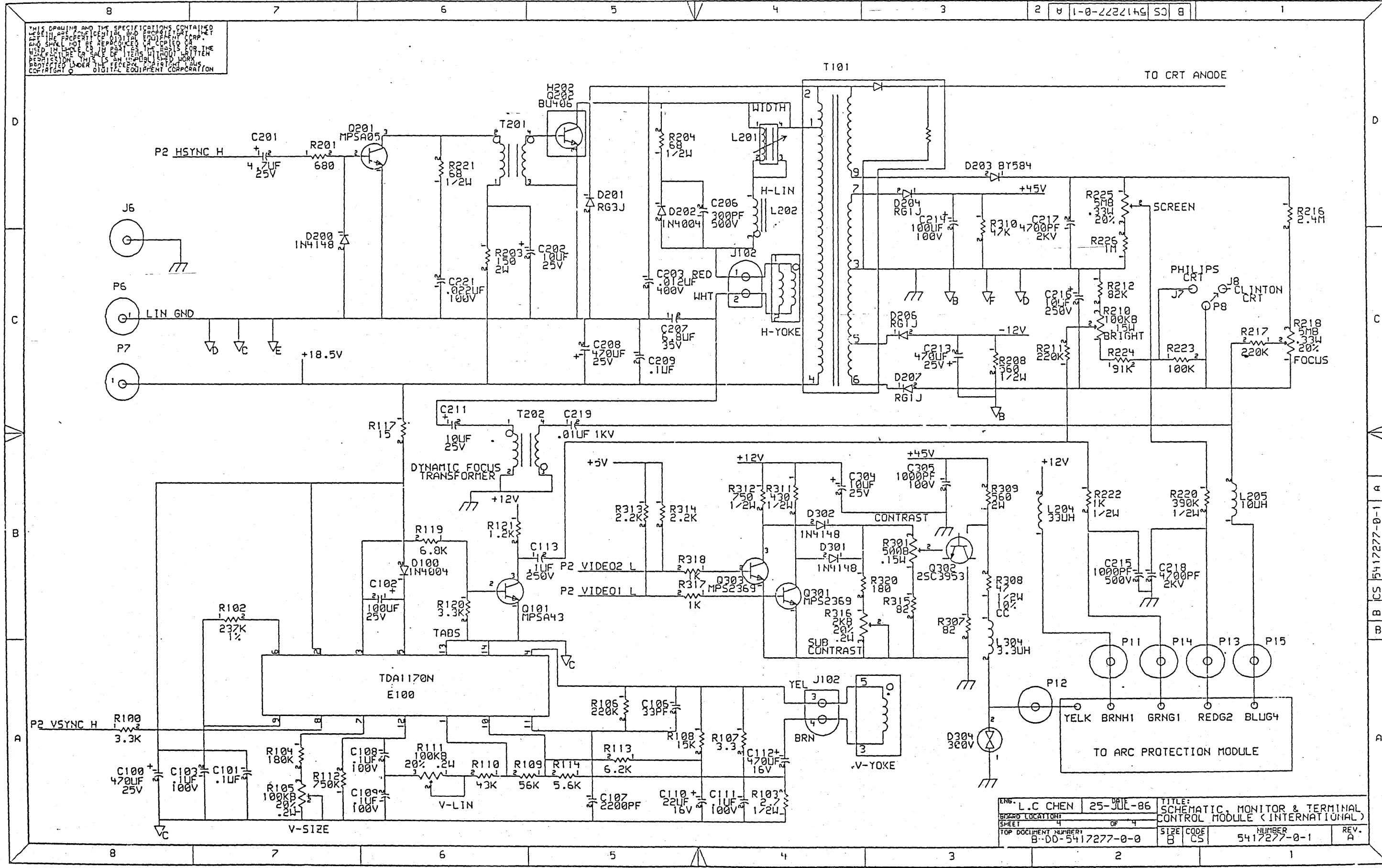
THIS DRAWING AND THE SPECIFICATIONS CONTAINED HEREIN ARE THE PROPERTY OF THE UNITED STATES GOVERNMENT AND SHALL NOT BE REPRODUCED OR COPIED IN ANY MANNER WITHOUT THE EXPRESS WRITTEN PERMISSION OF THE FEDERAL BUREAU OF INVESTIGATION, U.S. DEPARTMENT OF JUSTICE.



PARTS	VCC	GND
75146	1	4
5180	26	14
2681	40	20
5170	20	18
LS157	16	8
5911	8	5

ENG: S.W. CHENG 10-JUL-86
 TITLE: SCHEMATIC, MONITOR & TERMINAL CONTROL MODULE (INTERNATIONAL)
 SHEET 3 OF 4
 TOP DOCUMENT NUMBER: B-DD-5417277-0-0
 SIZE: CODE B CS
 NUMBER 5417277-0-1
 REV. A

THIS DRAWING AND THE SPECIFICATIONS CONTAINED HEREIN ARE THE PROPERTY OF DIGITAL EQUIPMENT CORPORATION AND SHALL NOT BE REPRODUCED OR COPIED FOR USE IN ANY MANNER WITHOUT THE WRITTEN PERMISSION OF DIGITAL EQUIPMENT CORPORATION. COPYRIGHT © DIGITAL EQUIPMENT CORPORATION



DESIGNER: L.C. CHEN	DATE: 25-JUL-86	TITLE: SCHEMATIC, MONITOR & TERMINAL CONTROL MODULE (INTERNATIONAL)
BOARD LOCATION:	SHEET 4 OF 4	SIZE CODE B CS
TOP DOCUMENT NUMBER: B-DD-5417277-0-0	NUMBER: 5417277-0-1	REV. A

LINE	ITEM	TOP DOCUMENT	PART NUMBER	MIN REV	DESCRIPTION	QTY PER VAR/REV	REFERENCE DESIGNATORS
1	1	B-DD-5017276-0-0	50-17276-01	E	CIRCUIT DRILL AND ETCH	1	
2	2		10-00010-00	39	PFD 100V +/- 5% 200PP	1	C8
3	3		10-00015-00	82	PFD 100V +/- 5% 200PP	1	C4
4	4		10-01610-00		0.010MFD 50V +80/-20% Z5U C	13	C9,C10,C14-C18,C21,C25-C27,C30, CONT C31
5	5		10-02608-00	18	PFD 100V +/- 5% 200PP	1	C3
6	6		10-10279-01	0.47	MFD 25V +/-20% Z5U C	2	C19,C20
7	7		10-13466-04	33	PFD 50V +/- 5% NPO C	1	C106
8	8		10-13466-12	2200	PFD 50V +/-10% X7R C	1	C107
9	9		10-13466-22	0.10	MFD 50V +80/-20% Z5U C	2	C101,C209
10	10		10-16544-00	0.10	MFD 100V +/-10% MYLAR	1	C111
11	11		10-16553-00	4.7	MFD 25V +75/-10% ALU	1	C201
12	12		10-16570-00	1000	PFD 500V +80/-20% X5S/Z	1	C215
13	13		10-16572-00	300	PFD 500V +/-10% X5F/X	1	C206
14	14		10-18000-15	10	MFD 250V +50/-20% ALU	1	C216
15	15		10-18000-17	470	MFD 25V +50/-20% ALU	3	C100,C208,C213
16	16		10-18000-29	10	MFD 25V +75/-20% ALU	3	C202,C211,C304
17	17		10-18000-31	470	MFD 16V +50/-20% ALU	1	C112
18	18		10-18000-33	100	MFD 25V +50/-20% ALU	1	C102
19	19		10-18000-34	100	MFD 100V +50/-20% ALU	1	C214
20	20		10-18000-40	47	MFD 25V +/-20% ALU	1	C7
21	21		10-19559-02	0.010MFD	1000V +/-20% Y5U/Z	1	C219
22	22		10-20446-12	220	MFD 16V +50/-10% ALU	1	C22
23	23		10-20604-03	0.10	MFD 100V +/- 5% MET.	3	C103,C108,C109
24	24		10-21480-07	0.012MFD	400V +/- 5% POLYP	1	C203
25	25		10-22087-01	1000	PFD 100V +/-20% Z5P	1	C305
26	26		10-23486-03	22	MFD 16V +/-20% ALU	1	C110
27	27		10-26646-01	0.10	MFD 250V +/-10% MYLAR	1	C113
28	28		10-27656-01	0.022MFD	100V +/- 5% MET.	1	C221
29	29		10-28139-01	6.8	MFD 35V +/-20% ALU	1	C207
30	30		10-28377-01	4700	PFD 2000V +80/-20%	2	C217,C218
31	31		11-00114-00	PIV=	25 IO=135 MA	3	D5,D21,D22

REVISION HISTORY		KPL MODULE FORMAT		SECTION A OF A		DRN: F. LIU		DIGITAL			
ENG	ECO NUMBER	REV	SECTION/VARIATION INDEX		DATE:	20-NOV-86					
	INITIAL	A	[A]	01	[M]	CHK'D:	B. CHEN		TITLE	PARTS LIST	
			[B]		[N]	DATE:	20-NOV-86		MONITOR, LOGIC CONTROL MODULE		
			[C]		[P]	DES. ENG:	L.C. CHEN		DOCUMENT NUMBER		
			[D]		[Q]	DATE:	20-NOV-86		SIZE	CODE	NUMBER
			[E]		[R]	RESP. ENG.:	C.L. CHUANG		K	PL	5417277-0-DBP
			[F]		[S]	DATE:	20-NOV-86		RELEASE DATE: 16-JUN-87		
			[H]		[T]	MFG. ENG.:	G. CHRISTIANSEN		RELEASE STATUS: RELEASED		
			[J]		[V]	DATE:	09-JUN-87				
			[K]		[W]						
			[L]		[Y]						
		BASIC PART NUMBER:		ASSEMBLY NUMBER:		TOP DOCUMENT NUMBER:		FILE NAME:		EDIT #	
		5417277		D-UA-5417277-0-0		B-DD-5417277-0-0		MLA1269A.PLS		20	

"THIS DRAWING AND THE SPECIFICATIONS CONTAINED HEREIN ARE CONFIDENTIAL AND PROPRIETARY. THEY ARE THE PROPERTY OF DIGITAL EQUIPMENT CORPORATION AND SHALL NOT BE REPRODUCED OR COPIED OR USED IN WHOLE OR IN PART AS THE BASIS FOR THE MANUFACTURE OR SALE OF ITEMS WITHOUT WRITTEN PERMISSION. THIS IS AN UNPUBLISHED WORK PROTECTED UNDER THE FEDERAL COPYRIGHT LAWS."

LINE	ITEM	TOP DOCUMENT	PART NUMBER	MIN REV	DESCRIPTION	QTY	PER VAR/REV	REFERENCE DESIGNATORS
						01		
						A1		
32	32		11-05796-00		PIV= 400 IO= 1.00A 1N4004 DO-41	4		D33,D34,D100,D202
33	33		11-09990-00		VZ= 9.1 5% 400 MW 1N757A	1		D501
34	34		11-12594-02		PIV= 600 IO= 3.00A	1		C201
35	35		11-12595-02		PIV= 600 IO= 1.00A AXIAL	3		D204,D206,D207
36	36		11-16475-00		PIV= 75 - 4NS 1N4148	3		D200,D301,D302
37	37		11-21581-01		PIV=1500 IO= 60MA	1		D203
38	38		11-24037-01		VZ= 36.0 5% 400 MW 1N9748 DO-35	18		D6-D12,D15-D20,D23,D29,D36-D38
39	39	SEE NOTE 1	11-26743-01		TRANS SUPP 600W 10V +/-	2		D26,D27
40	40	SEE NOTE 2	11-26743-02		TRANS SUPP 600W 22V +/-	3		D24,D25,D28
41	41		11-27611-01		DIA SURGE ABSORBER 300V +/-15%	1		D304
42	42		12-13071-06		INSULATOR,RUBBER SILICONE	1		
43	43		12-13921-11		HEAT SINK,EXTRUSION 1.380X1.50	1		H202
44	44		12-15006-07		SKT,IC 28PIN DIP TIN SOLDER	1		XE9
45	45		12-16521-00		PCB,HEADER 04PIN(1X04).156CC STR	1		J102
46	46		12-18926-07		CONN,PHONE JACK 04POS	1		J2
47	47		12-20840-01		STRIP,SHIELDING EMI/RFI 1.250LG	1		
48	48		12-23433-02		CONN,LAN JACK 06 POS	2		J3,J5
49	49		12-26314-01		CONN,D SUB 25POS ASSY 90D GOLD	1		J4
50	50		12-28433-01		INSERT	6		
51	51		12-28433-02		INSERT	2		
52	52		12-28473-01		PCB HEADER PIN .06200 TIN	2		J7,J8
53	53		13-00250-00		150.0 .25 W 5.0 % CF	1		R17
54	54		13-00338-00		560.0 .50 W 5.0 % CF	1		R208
55	55		13-00354-00		750.0 .50 W 5.0 % CF	1		R312
56	56		13-00364-00		1.0 K .50 W 5.0 % CF	1		R222
57	57		13-00365-00		1.0 K .25 W 5.0 % CF	3		R15,R317,R318
58	58		13-00417-00		2.20 K .25 W 5.0 % CF	2		R313,R314
59	59		13-00439-00		3.30 K .25 W 5.0 % CF	2		R100,R120
60	60		13-00444-00		3.90 K .25 W 5.0 % CF	2		R11,R14
61	61		13-00447-00		4.70 K .25 W 5.0 % CF	1		R12
62	62		13-00479-00		10.0 K .25 W 5.0 % CF	1		R33
63	63		13-00496-00		15.0 K .25 W 5.0 % CF	1		R108
64	64		13-01320-00		1.20 K .25 W 5.0 % CF	1		R121
65	65		13-01322-00		180.0 .25 W 5.0 % CF	1		R320
66	66		13-01421-00		15.0 .25 W 5.0 % CF	1		R117
67	67		13-01423-00		6.80 K .25 W 5.0 % CF	1		R119
68	68		13-01424-00		680.0 .25 W 5.0 % CF	2		R201,R505
69	69		13-01477-00		82.0 .25 W 5.0 % CF	2		R307,R315
70	70		13-01874-00		5.60 K .25 W 5.0 % CF	1		R114
71	71		13-02092-00		220.0 K .25 W 5.0 % CF	3		R106,R211,R217
72	72		13-02177-00		47.0 K .25 W 5.0 % CF	1		R310
73	73		13-02395-00		56.0 K .25 W 5.0 % CF	1		R109
74	74		13-02397-00		180.0 K .25 W 5.0 % CF	1		R104
75	75		13-02466-00		100.0 K .25 W 5.0 % CF	1		R223
76	76		13-03219-00		82.0 K .25 W 5.0 % CF	1		R212
77	77		13-04838-00		43.0 K .25 W 5.0 % CF	1		R110
78	78		13-05253-00		7.15 K .25 W 1.0 % RN550-F10	1		R504
79	79		13-05346-00		27.0 K .25 W 5.0 % CF	1		R34
80	80		13-09405-00		68.0 .50 W 5.0 % CF	2		R204,R221
81	81		13-09595-00		1.0 M .25 W 5.0 % CF	1		R226

D	I	G	I	T	A	L	TITLE	SECTION A	OF A	SIZE	CODE	DOCUMENT NUMBER	REV
							MONITOR, LOGIC CONTROL MODULE			K	PL	5417277-0-08P	A

LINE	ITEM	TOP DOCUMENT	PART NUMBER	MIN REV	DESCRIPTION	QTY PER VAR/REV	REFERENCE DESIGNATORS
						01 A1	
82	82		13-12930-00	5.10 K	.25 W 5.0 % CF	1	R13
83	83		13-12931-00	6.20 K	.25 W 5.0 % CF	1	R113
84	84		13-13349-00	33.0 K	.25 W 5.0 % CF	2	R31,R32
85	85		13-13752-00	15.0 K	.25 W 1.0 % RN550-F10	1	R501
86	86		13-14650-00	91.0 K	.25 W 5.0 % CF	1	R224
87	87		13-14954-00	430.0	.50 W 5.0 % CF	1	R311
88	88		13-15437-00	237.0 K	.25 W 1.0 % RN550-F10	1	R102
89	89		13-16441-00	2.40 M	.25 W 5.0 % CF	1	R216
90	90		13-16507-00	2.70	.50 W 5.0 % CF	1	R103
91	91		13-19242-00	750.0 K	.25 W 5.0 % CF	1	R112
92	92		13-19471-16	150.0	2.0 W 5.0 % M.OXIDE	1	R203
93	93		13-19471-25	560.0	2.0 W 5.0 % M.OXIDE	1	R309
94	94		13-19563-01	POT-OPEN/TRIM	5.0M 0.33W 20.0	2	R218,R225
95	95		13-20608-01	3.30	.25 W 5.0 % CF	1	R107
96	96		13-20632-01	1.30 K	.25 W 5.0 % CF	1	R503
97	97		13-20713-01	390.0 K	.50 W 5.0 % CF	1	R220
98	98		13-27943-J2	POT-OPEN/TRIM	100.0K 0.15W 20.0	1	R210
99	99		13-27943-03	POT-OPEN/TRIM	500.0 0.15W 20.0	1	R301
100	100		13-28026-01	POT-OPEN/TRIM	2.0K 0.2 W 20.0	1	R316
101	101		13-28026-03	POT-OPEN/TRIM	100.0K 0.2 W 20.0	2	R105,R111
102	102		13-28450-01	47.0	.50 W10.0 % CC	1	R308
103	103		15-09524-00	2N 3904	NPN 310MW SI 40 40 M	1	Q502
104	104		15-10705-00	XA 05	NPN 500MW SI 60 50 P	1	Q201
105	105		15-10706-00	XA 55	PNP 500MW SI 60 50 P	1	Q501
106	106		15-12976-00	MPSA43	NPN 625MW SI200 50	1	Q101
107	107	SEE NOTE 3	15-20857-01	MPS2369	NPN 350MW 40V 200MA T	2	Q301,Q303
108	108		15-27609-01	BU406	NPN 400V 60W T0220	1	Q202
109	109		15-28392-01	TRANSISTOR, VIDEO OUTPUT		1	Q302
110	110		16-13898-01	33.0 UH	INDUCTOR	1	L204
111	111		16-18238-02	BEAD, FERRITE	.1380DX .330LG	12	L1-L3,L6-L8,L17,L20-L23,L302
112	112		16-21807-01	COIL, WIDTH, VARIABLE	INDUCTOR	1	L201
113	113		16-27761-01	10.0 UH 10% Q= 55 @ 7.9MHZ	SRF=	4	L5,L14,L16,L205
114	114		16-27975-01	XFR, FLYBACK, HI VOLT	18.9KHZ	1	T101
115	115		16-28226-01	CHOKE COIL	2.2UH 10%	6	L9-L13,L15
116	116		16-28286-01	XFMR, HOR BUFFER		1	T201
117	117		16-28287-01	COIL, LINEARITY		1	L202
118	118		16-28364-01	XFMR, DYNAMIC FOCUS	LP=15MH TURNS	1	T202
119	119		16-28365-01	CHOKE, RF COATED	3.3UH 10% Q=65@7	1	L304
120	120		18-28361-01	XTAL	26.366 MHZ	1	Y3
121	121		19-12847-00	LS157	MUX 1 OF 2 (QUAD)	1	E15
122	122		19-15219-00	LS373	FF-D OCTAL-TRANSPARE	1	E8
123	123		19-23889-01	EIA OCTAL LINE DRIVE		1	E13
124	124		19-23890-01	EIA OCTAL LINE RECEI		1	E14
125	125		19-27621-01	VERT DEFLECTION CHIP		1	E100
126	126		19-27782-01	DUAL LINE RECEIVER		1	E16
127	127		21-20068-01	2681	REC./TRANS., ASYNC..D	1	E12
128	128		21-20115-02	8031AH	MICROPROCESSOR, 8BIT	1	E5
129	129		21-21384-03	RAM	8KX8, STATIC 120	2	E3,E4
130	130		21-27705-02	DC7081	CONTROLLER, VIDEO+RAM, 420	1	E2
131	131		23-N4 -01	1024	EPROM	1	E6

D	I	G	I	T	A	L	TITLE	SECTION A	OF A	SIZE	CODE	DOCUMENT NUMBER	REV
							MONITOR, LOGIC CONTROL MODULE			K	PL	5417277-0-DBP	A

LINE	ITEM	TOP DOCUMENT	PART NUMBER	MIN REV	DESCRIPTION	QTY PER VAR/REV	REFERENCE DESIGNATORS
						01 A1	
132	132		23-48E7 -00	E7-01		1	E9
133	133		35-18450-01		LABEL,SAR CODE BLANK .38 X1.5	1	
134	134	C-IA-7024307-0-DBU	70-24307-02	A	CONN/WIRE ASSY	1	
135	135	B-IA-702476-0-DBU	70-24576-01	A	WIRE W/CONNECTOR	1	P8
136	136	B-IA-7024586-0-DBU	70-24586-01	A	WIRE W/PCB CRIMP	1	P11
137	137	B-IA-7024586-0-DBU	70-24586-02	A	WIRE W/PCB CRIMP	1	P12
138	138	B-IA-7024586-0-DBU	70-24586-03	A	WIRE W/PCB CRIMP	1	P13
139	139	B-IA-7024586-0-DBU	70-24586-04	A	WIRE W/PCB CRIMP	1	P14
140	140	B-IA-7024586-0-DBU	70-24586-05	A	WIRE W/PCB CRIMP	1	P15
141	141	C-MD-7434090-0-DBU	74-34090-01	A	THUMBWHEEL	2	
142	143		90-06010-01		SCREW,MACH PAN PHIL 4-	1	
143	144		90-06557-00		NUT,HEX EXT TOOTH LCKWSHR 4-40	1	
144	145		90-10057-00		WASHER,SHOULDER-INSULATG PPS	1	

1 GEN: 11-26743-01 CAN BE SUBSTITUTED BY 11-28275-01.
 2 GEN: 11-26743-02 CAN BE SUBSTITUTED BY 11-28275-02.
 3 GEN: 15-20857-01 CAN BE SUBSTITUTED BY 15-21002-01.

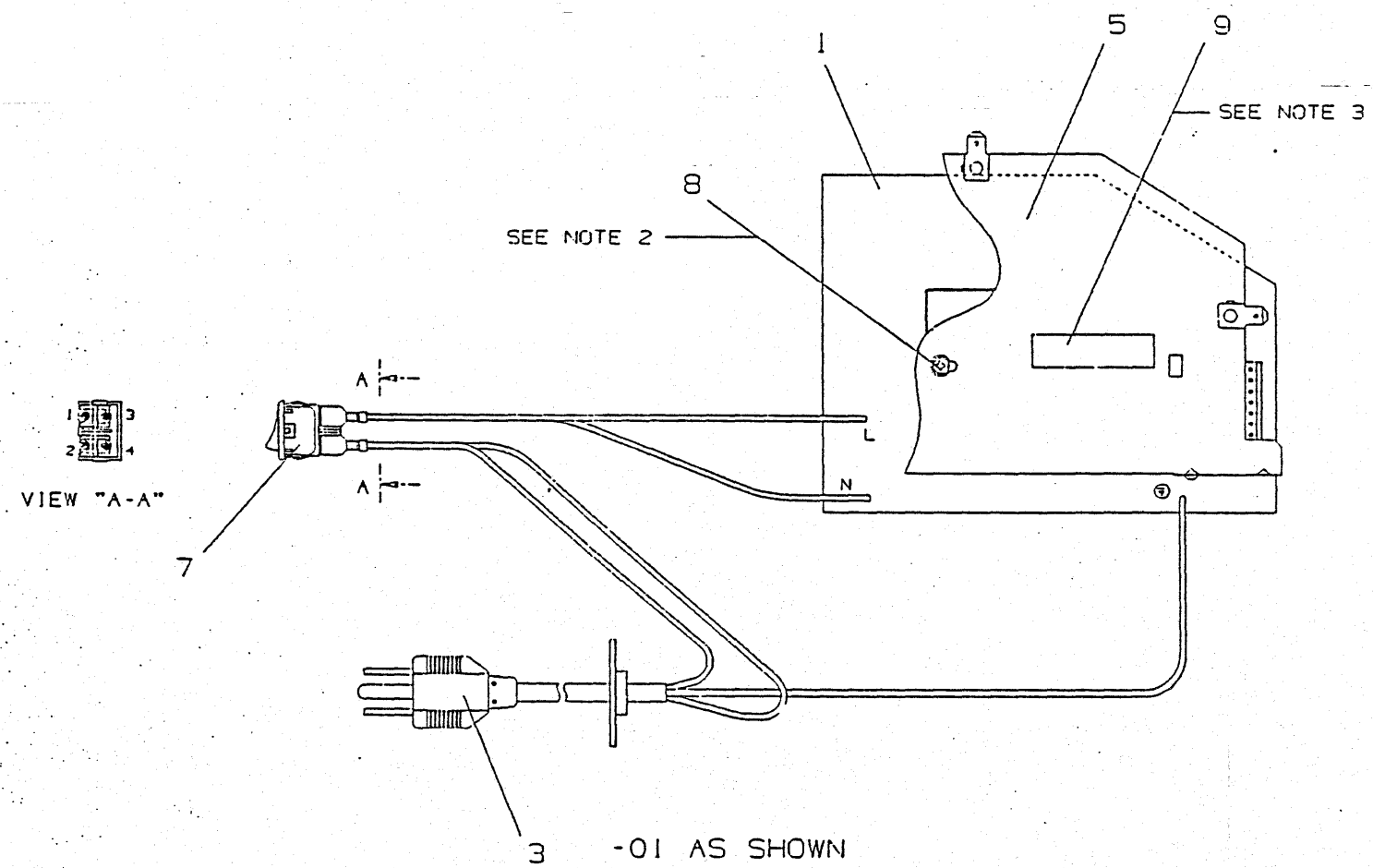
D	I	G	I	T	A	L	TITLE	SECTION A OF A	SIZE	CODE	DOCUMENT NUMBER	REV
							MONITOR, LOGIC CONTROL MODULE		K	PL	5417277-0-DBP	A

1087 BIRTH EQUIPMENT CORPORATION

LEGEND		
PART NO	REV.	DESCRIPTION
7024244-01	A01	120V W/ATTACHED PWR CORD
7024244-02	A01	120/240V W/O PWR CORD

- NOTES:
1. POSITION VOLTAGE SELECTION JUMPER FOR 240V ON -02 VAR.
 2. TORQUE REQUIREMENT 4-6 IN-LBS
 3. MARK ITEM 9 WITH PART NO. AND REV. PER DEC STD 047. LOCATED APPROXIMATELY AS SHOWN.

WIRE TABLE -01 VAR						
ITEM NO.	DESCRIPTION	FROM			TO	
		AWG	COLOR	CONNECTION	WITH	CONNECTION
3	-	BLU	-	-	ITEM 7 PWR SW "4"	-
3	-	BRN	-	-	ITEM 7 PWR SW "2"	-
3	-	GRN/YEL	-	-	ITEM 1 "GND SYMBOL"	SOLDER
-	18	BLU	ITEM 1 "N"	-	ITEM 7 PWR SW "3"	-
-	18	BRN	ITEM 1 "L"	-	ITEM 7 PWR SW "1"	-



CAUTION: OFF SHEET PARTS LIST EXISTS. SEE K-PL-7024244-0-DBP (MLA0718A.PLS)

DESCRIPTION	DRAWING NO.	PART NO	ITEM NO
UNLESS OTHERWISE SPECIFIED DIMENSIONS ARE IN INCHES AND THE FOLLOWING TOLERANCES APPLY (PER DEC STD 1141)			
DIMENSIONS RANGE IN INCHES			
INCHES TOLERANCE	ANGLES TOLERANCE	APPLICABLE DIMENSION SURFACE	APPLICABLE DIMENSION SURFACE
.XX ± .1	SURFACE QUALITY	LOC CHECK	LOC CHECK
.XXX ± .02	FINISH	LOC CHECK	LOC CHECK
.XXX ± .005	FINISH	LOC CHECK	LOC CHECK
THIRD ANGLE PROJECTION	DATE	DATE	DATE
DO NOT SCALE DRAWING	DES. ENG.	DATE	DATE
REMOVE BURRS AND BREAK SHARP CORNERS	RESP. ENG.	DATE	DATE
MATERIAL	WFO ENG.	DATE	DATE
FINISH	TOP DEC. NO.	DATE	DATE
DRAWN C.H. CHEN		DATE 15-SEP-86	TITLE
CHK'D R.J. LIN		DATE 14-MAY-87	POWER SUPPLY ASSY
DES. ENG. J. KOU		DATE 15-SEP-86	ECO. ENG.
RESP. ENG. O. LIN		DATE 14-MAY-87	DATE
WFO ENG. G. WU		DATE 14-MAY-87	DATE
TOP DEC. NO. D-AD-7024244-0-DBU		DATE	DATE
SCALE 1/1		DATE	DATE
PAGE 1 OF 2		DATE	DATE

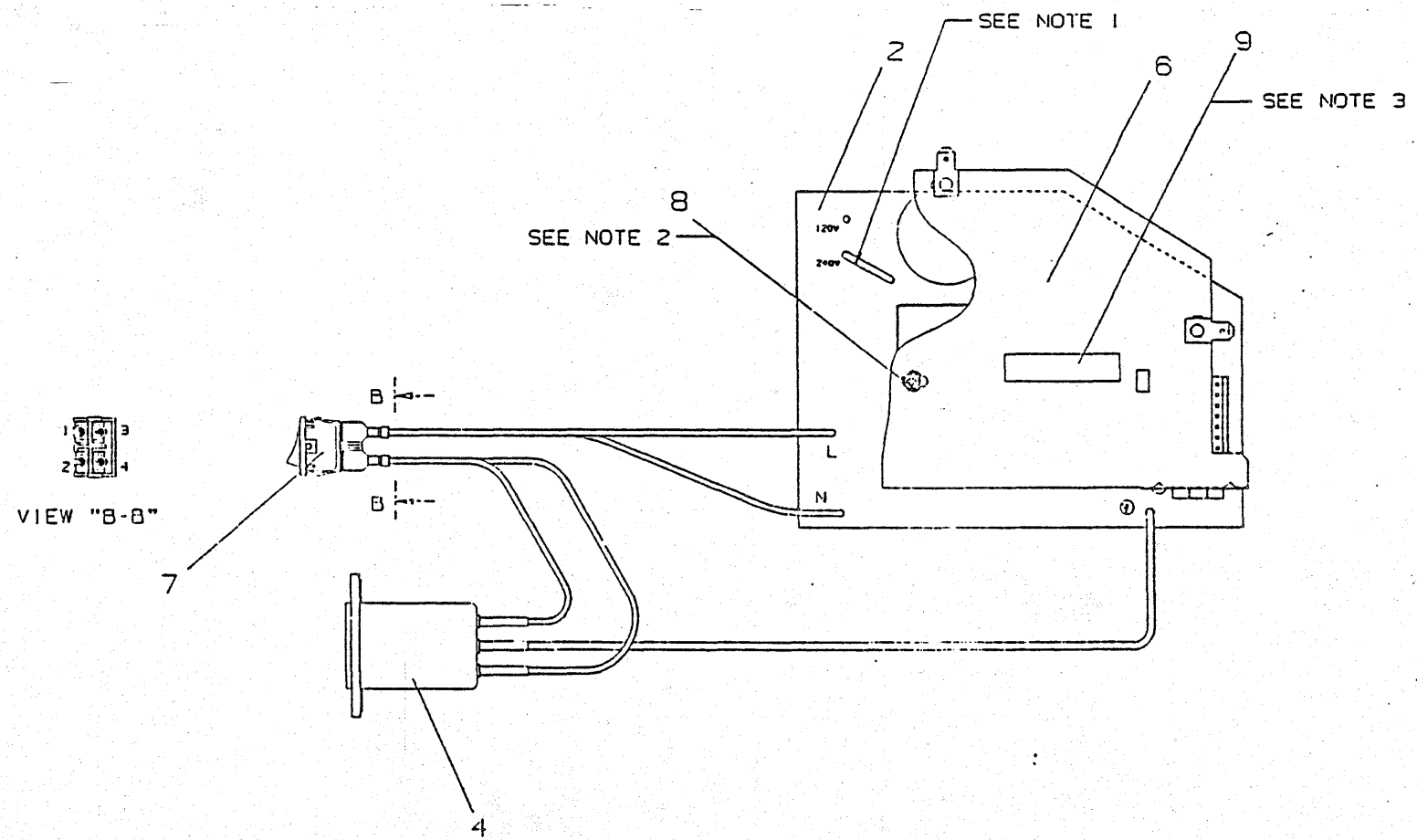
REV	ECO	DATE	BY	CHK'D
1				

D AD 7024244-0-DBU A

THIS DRAWING AND SPECIFICATIONS ARE THE PROPERTY OF THE UNITED STATES GOVERNMENT AND ARE LOANED TO YOU BY THE UNITED STATES GOVERNMENT. IT IS TO BE RETURNED TO THE UNITED STATES GOVERNMENT WITH ALL INFORMATION CONTAINED HEREIN. (GPO: 1987-0-244-0-DBU)

6 5 4 3 2 1

WIRE TABLE -02 VAR						
ITEM NO.	AWG	COLOR	FROM		TO	
			CONNECTION	WITH	CONNECTION	WITH
4	-	BLU	-	-	ITEM 7 PWR SW "4"	-
4	-	BRN	-	-	ITEM 7 PWR SW "2"	-
4	-	GRN/YEL	-	-	ITEM 2 "GND SYMBOL"	SOLDER
-	18	BLU	ITEM 1 "N"	-	ITEM 7 PWR SW "3"	-
-	18	BRN	ITEM 1 "L"	-	ITEM 7 PWR SW "1"	-



-02 AS SHOWN

REVISION HISTORY		
REV	ECO NUMBER	DATE

TITLE
POWER SUPPLY ASSY

DOCUMENT NUMBER			
SIZE	CODE	NUMBER	REV.
D	AD	7024241-0-DBU	A
SCALE 1/1		SHEET 2 OF 2	

8 7 6 5 4 3 2 1

D:\AD\7024241-0-DBU A

AUTOMATED BY VAXKPL (V1.3)

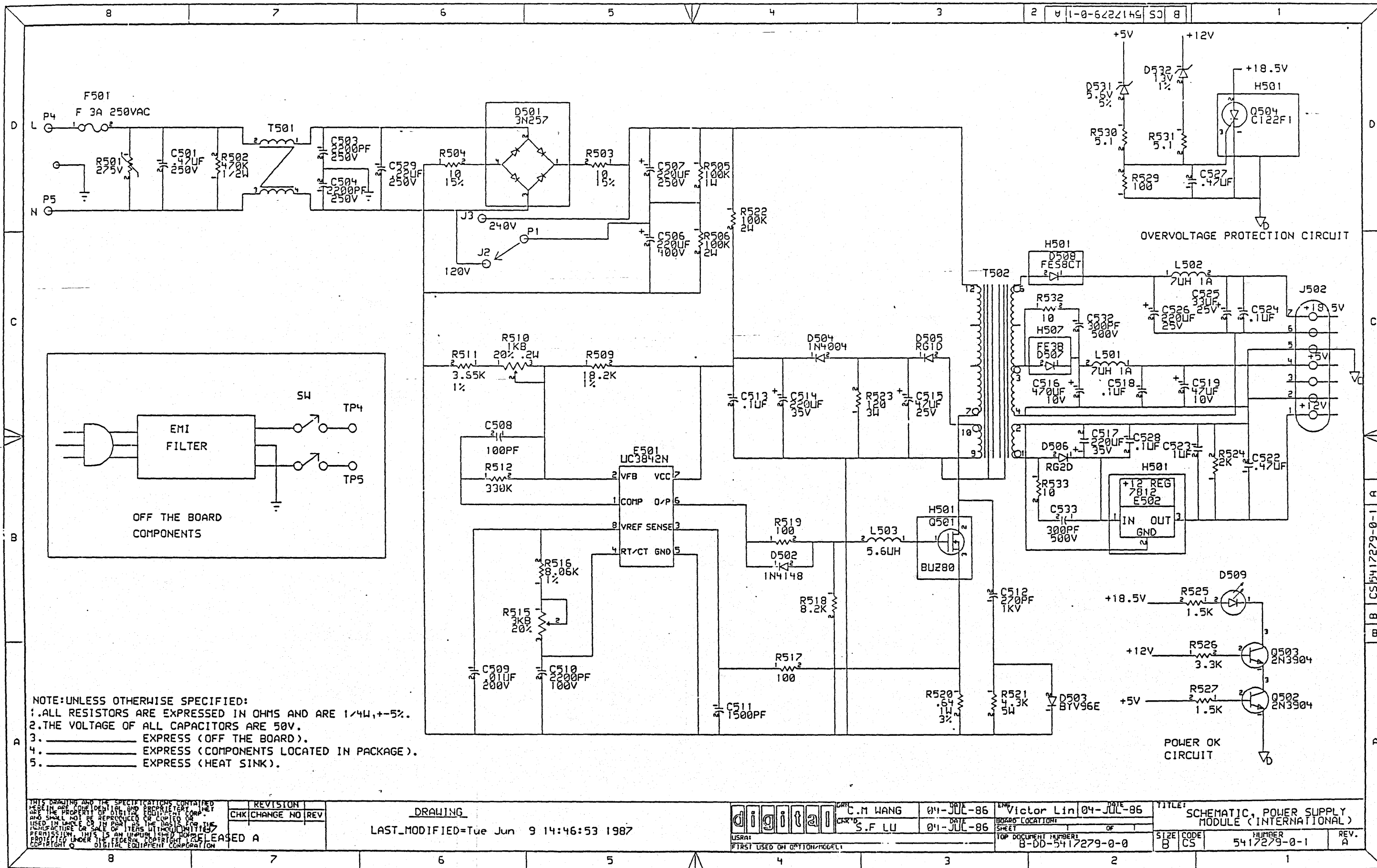
P A R T S L I S T

SHEET A1 OF A1

LINE ITEM	TOP DOCUMENT	PART NUMBER	MIN REV	DESCRIPTION	Q1	Q2
					B1	B1
1	B-00-5417191-0-0	54-17191-01	B	POWER SUPPLY BOARD	1	-
2	B-00-5417279-0-0	54-17279-01	B	PWR SUPPLY BRD	-	1
3	B-1A-7024296-0-0BU	70-24296-01	A	POWER CORD ASSY	1	-
4	B-1A-7024298-0-0BU	70-24298-01	A	FILTER ASSY	-	1
5	C-1A-7024570-0-0BU	70-24570-01	A	SHIELD/GND TAB ASSY	1	-
6	C-1A-7024570-0-0BU	70-24570-02	A	SHIELD/GND TAB ASSY	-	1
7	7	12-23381-02		SW,RKR DPST ON-NONE-OFF 10A25	1	1
8	8	90-00049-66		SCREW,SEMS PAN PHIL EXT WSH 4-40	1	1
9	9	36-18460-03		LABEL,BAR CODE BLANK .90 X2.2	1	1

REVISION HISTORY			KPL MATRIX FORMAT SECTION A OF A		ORN: C.H. CHEN	D I G I T A L				
ENG	ECO. NUMBER	REV	SECTION/VARIATION INDEX		DATE: 17-SEP-86					
---	INITIAL	A	(A)	01,02	CHK'D: R.J. LIN	TITLE PARTS LIST				
BB	VT320-X-ML002	B	(B)		DATE: 13-MAY-87	POWER SUPPLY ASSY				
			(C)		DES. ENG: J. KOU	DOCUMENT NUMBER				
			(D)		DATE: 17-SEP-86	SIZE	CODE	NUMBER	REV	
			(E)		RESP. ENG.: O. LIN	K	PL	7024244-0-0BP	B	
			(H)		DATE: 13-MAY-87	RELEASE DATE: 26-FEB-83				
			(J)		MFG. ENG: GORDON WU	RELEASE STATUS: RELEASED				
					DATE: 11-JUN-87					
			BASIC PART NUMBER:	ASSEMBLY NUMBER:	TOP DOCUMENT NUMBER:	FILE NAME:		EDIT #		
			7024244	D-AD-7024244-0-0BU	D-AD-7024244-0-0BU	MLAG718B.PLS		2		

"THIS DRAWING AND THE SPECIFICATIONS CONTAINED HEREIN ARE CONFIDENTIAL AND PROPRIETARY. THEY ARE THE PROPERTY OF DIGITAL EQUIPMENT CORPORATION AND SHALL NOT BE REPRODUCED OR COPIED OR USED IN WHOLE OR IN PART AS THE BASIS FOR THE MANUFACTURE OR SALE OF ITEMS WITHOUT WRITTEN PERMISSION. THIS IS AN UNPUBLISHED WORK PROTECTED UNDER THE FEDERAL COPYRIGHT LAWS."



NOTE: UNLESS OTHERWISE SPECIFIED:
 1. ALL RESISTORS ARE EXPRESSED IN OHMS AND ARE 1/4W, +-5%.
 2. THE VOLTAGE OF ALL CAPACITORS ARE 50V.
 3. _____ EXPRESS (OFF THE BOARD).
 4. _____ EXPRESS (COMPONENTS LOCATED IN PACKAGE).
 5. _____ EXPRESS (HEAT SINK).

THIS DRAWING AND THE SPECIFICATIONS CONTAINED HEREIN ARE CONFIDENTIAL AND PROPRIETARY TO THE U.S. GOVERNMENT AND ARE NOT TO BE REPRODUCED OR COPIED IN ANY MANNER OR BY ANY MEANS, ELECTRONIC OR MECHANICAL, INCLUDING PHOTOCOPYING, RECORDING, OR BY ANY INFORMATION STORAGE AND RETRIEVAL SYSTEM, WITHOUT PERMISSION IN WRITING FROM THE U.S. GOVERNMENT. THIS IS AN UNCLASSIFIED DOCUMENT RELEASED UNDER THE FEDERAL COPYRIGHT ACT OF 1976.		REVISION CHK CHANGE NO REV	DRAWING LAST_MODIFIED= Tue Jun 9 14:46:53 1987	digital USRAI FIRST USED ON OPTION/PROJECT	C.M. WANG S.F. LU 04-JUL-86 04-JUL-86	Victor Lin 04-JUL-86 BOARD LOCATION: _____ OF _____ SHEET _____ TOP DOCUMENT NUMBER: B-DD-5417279-0-0	TITLE: SCHEMATIC, POWER SUPPLY MODULE (INTERNATIONAL)	SIZE CODE NUMBER REV. B CS 5417279-0-1 A
--	--	-------------------------------	---	--	--	--	--	---

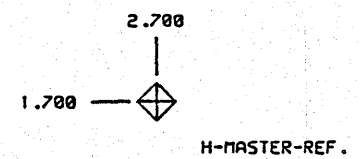
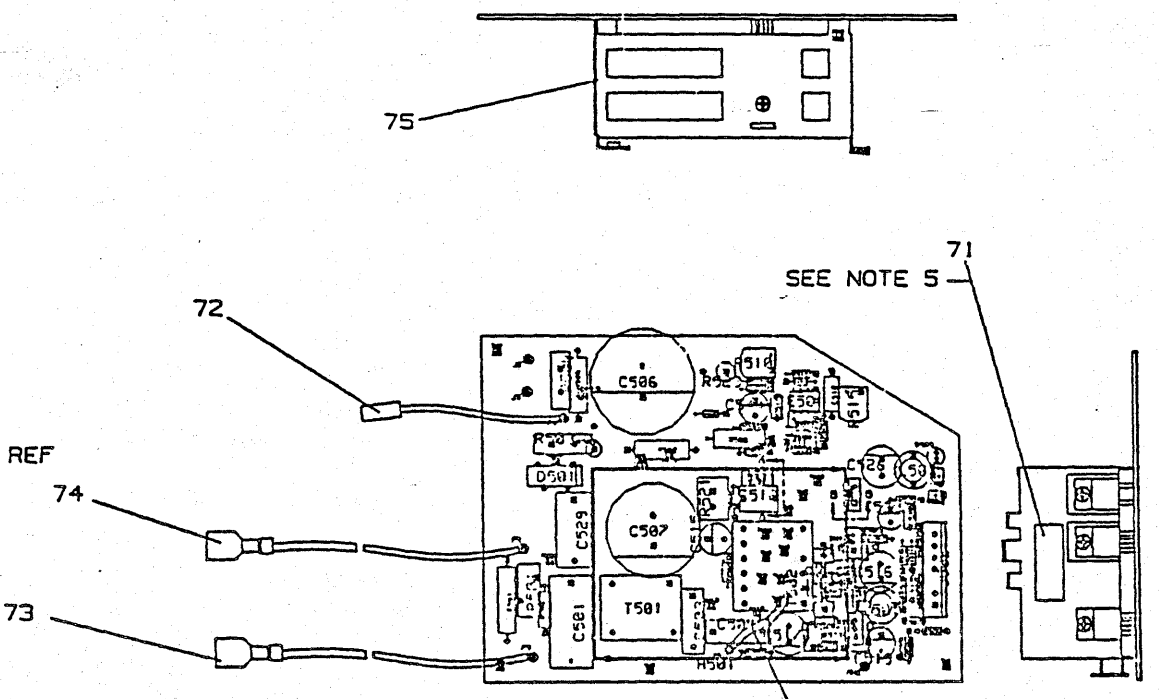
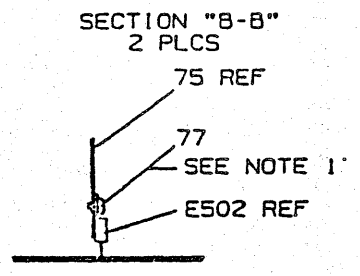
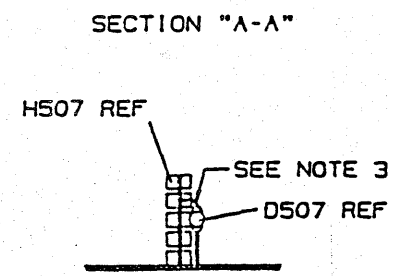
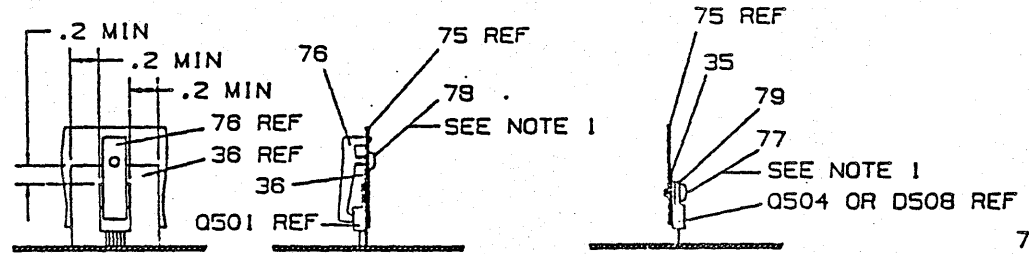
8 7 6 5 4 3 2 1

THIS DRAWING AND THE SPECIFIC TYPE OF HARDWARE IS THE PROPERTY OF THE COMPANY AND IS NOT TO BE REPRODUCED OR COPIED IN ANY MANNER WITHOUT THE WRITTEN PERMISSION OF THE COMPANY. THIS DRAWING IS THE PROPERTY OF THE COMPANY AND IS NOT TO BE REPRODUCED OR COPIED IN ANY MANNER WITHOUT THE WRITTEN PERMISSION OF THE COMPANY.

- NOTE:**
1. TORQUE REQUIREMENT: ITEMS 77 & 78 3-5 IN-LBS.
 2. THIS BOARD MUST MEET SAFETY REQUIREMENT FOR HPWR.
 3. LEAD OF D507 PIN 1 AS SHORT AS POSSIBLE.
 4. SOLDER GROUNDING WIRE OF T502 TO P6 (IGNO HOLE).
 5. MARK LABEL WITH SERIAL NUMBER PER DEC STD 047, LOCATED APPROXIMATELY AS SHOWN.

D
C
B
A

D
C
B
A



CHK	DRAWN BY	ENGINEER	CHANGE NO	DATE	REV
			RELEASED	JUN-87	A

STEP	↑ Y AXIS	STEP	TIMES
REPEAT	→ X AXIS	STEP	TIMES

SIGNATURES		DATE	digital
DRAWN	NELSON LEE	20-08-87	
CHECKED	B. CHEN	20-08-87	
MECH ENG	J. KOU	20-08-87	
PROJ ENG	J. B. LO	20-08-87	
PROD			
SCALE	1/1		
SHEET	1 OF 1		
TCP DOC NO	8-00-5417279-0-0		

8 7 6 5 4 3 2 1 BPU 1 WO#

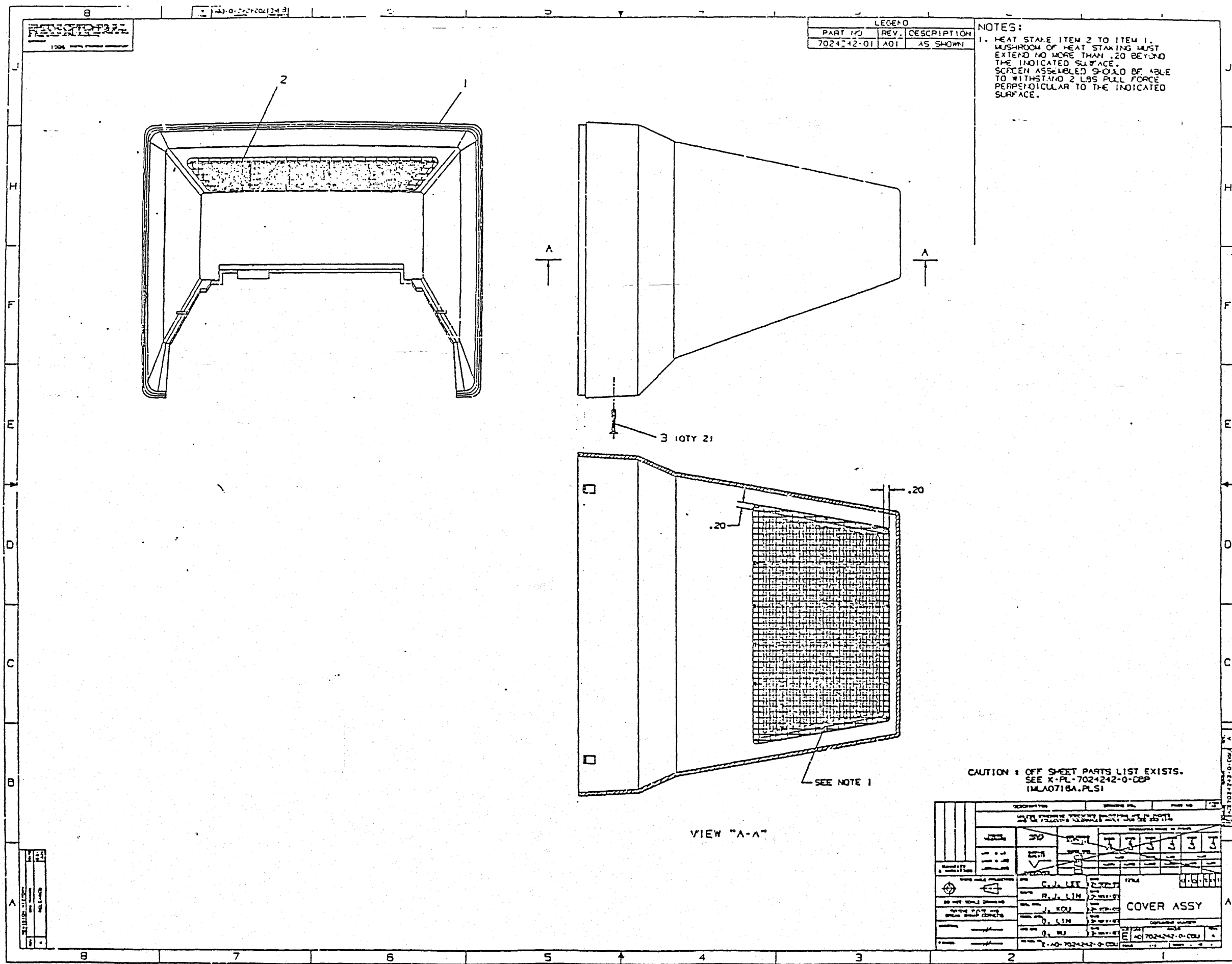
LINE	ITEM	TOP DOCUMENT	PART NUMBER	MIN REV	DESCRIPTION	QTY PER VAR/REV	REFERENCE DESIGNATORS
						01 A1	
1	1	B-DD-5017278-0-0	50-17278-01	E	DRILL AND ETCH	1	
2	2		10-10274-02		1.0 MFD 50V +80/-20% Z5U C	1	C523
3	3		10-10978-60		0.10 MFD 50V +/-10% X7R C	3	C513,C518,C524
4	4		10-12312-01		0.47 MFD 50V +80/-20% Z5U C	2	C522,C527
5	5		10-13466-06		100 PFD 50V +/- 5% NPO C	1	C508
6	6		10-13466-22		0.10 MFD 50V +80/-20% Z5U C	1	C528
7	7		10-13466-29		1500 PFD 50V +/- 5% NPO C	1	C511
8	8		10-16572-00		300 PFD 500V +/-10% X5F/X	2	C532,C533
9	9		10-16639-00		0.010MFD 200V +/-10% MYLAR	1	C509
10	10		10-19413-06		220 MFD 250V +50/-20% ALU	1	C507
11	11		10-22398-01		470 MFD 10V +/-20% ALU	1	C516
12	12		10-24317-02		0.47 MFD 250VAC +/-20% LIN	1	C501
13	13		10-24317-03		0.22 MFD 250VAC +/-20% LIN	1	C529
14	14		10-24375-01		2200 PFD 250VAC +/-20% LIN	2	C503,C504
15	15		10-24422-01		220 MFD 35V +/-20% ALU	1	C514
16	16		10-26456-01		2200 PFD 100V +/- 1% POLYPR	1	C510
17	17		10-27183-02		270 PFD 1000V +/-20% POLYP	1	C512
18	18		10-27912-01		47 MFD 25 +/-20% ALU	1	C515
19	19		10-27942-01		220 MFD 25V +/-20% ALU	1	C526
20	20		10-27944-01		220 MFD 400V +/-20% ALU	1	C506
21	21		10-27955-01		33 MFD 25V +/-20% ALU	1	C525
22	22		10-28104-01		47 MFD 1PV +/-20% ALU	1	C519
23	23		10-28114-01		220 MFD 35V +/-20% ALU	1	C517
24	24		11-02808-00		VZ= 5.6 5% 400 MW 1N752A	1	D531
25	25		11-05796-00		PIV= 400 IO= 1.00A 1N4004 DO-41	1	D504
26	26		11-12595-01		PIV= 200 IO= 1.00A AXIAL	1	D505
27	27		11-14384-00		LED 105MW 35MA GREEN	1	D509
28	28		11-16475-00		PIV= 75 - 4NS 1N4148	1	D502
29	29		11-17490-00		RECT,ULTRA FAST PIV= 150 IO= 8.0	1	D508
30	30		11-18411-00		VZ= 13.0 1% 500 MW 1N5243	1	D532
31	31		11-20828-01		PIV=1000 IO= 1.50A	1	D503
32	32		11-21435-01		RECT. ASSY PIV= 600 IO= 2.00A	1	D501

REVISION HISTORY			KPL MODULE FORMAT SECTION A OF A			DRN: F LIU			DIGITAL		
ENG: ECO NUMBER			SECTION/VARIATION INDEX			DATE: 20-NOV-86			TITLE PARTS LIST		
INITIAL			[A] 01 [M]			CHK'D: B CHEN			POWER SUPPLY MODULE		
			[B] [N]			DATE: 20-NOV-86			DOCUMENT NUMBER		
			[C] [P]			DES.ENG: V LIN			SIZE CODE NUMBER REV		
			[D] [Q]			DATE: 20-NOV-86			K PL 5417279-0-DBP A		
			[E] [R]			RESP.ENG.: JB LO			RELEASE DATE: 17-JUN-87		
			[F] [S]			DATE: 20-NOV-86			RELEASE STATUS: RELEASED		
			[H] [T]			MFG.ENG: G.CHRISTIANSEN					
			[J] [V]			DATE: 09-JUN-87					
			[K] [W]								
			[L] [Y]								
			BASIC PART NUMBER: 5417279			ASSEMBLY NUMBER: D-UA-5417279-0-0			TOP DOCUMENT NUMBER: B-DD-5417279-0-0		
									FILE NAME: MLA1270A.PLS		
									EDIT # 16		

"THIS DRAWING AND THE SPECIFICATIONS CONTAINED HEREIN ARE CONFIDENTIAL AND PROPRIETARY. THEY ARE THE PROPERTY OF DIGITAL EQUIPMENT CORPORATION AND SHALL NOT BE REPRODUCED OR COPIED OR USED IN WHOLE OR IN PART AS THE BASIS FOR THE MANUFACTURE OR SALE OF ITEMS WITHOUT WRITTEN PERMISSION. THIS IS AN UNPUBLISHED WORK PROTECTED UNDER THE FEDERAL COPYRIGHT LAWS."

LINE	ITEM	TOP DOCUMENT	PART NUMBER	MIN REV	DESCRIPTION	QTY	PER VAR/REV	REFERENCE DESIGNATORS
33	33		11-25363-04		RECT,ULTRA FAST PIV=200 IO= 2.0A	1		0506
34	34		11-28196-01		PIV= 100 IO= 3.0 A 35NS	1		0507
35	35		12-13071-05		INSULATOR,RUBBER SILICONE	2		
36	36		12-13071-22		INSULATOR,RUBBER SILICONE	1		
37	37		12-15228-03		HEAT SINKS,TO-220 1.250X0.87	1		H507
38	38		12-24261-01		PCB HEADER PIN .12500 TIN	2		J2,J3
39	39		12-28096-01		FUSE,5X20 3.0 A 250V AXIAL LEA	1		F501
40	40		12-28477-02		PCB HEADER 07POS(1X07).156CC STR	1		J502
41	41		13-00229-00		100.0 .25 W 5.0 % CF	3		R517,R519,R529
42	42		13-00391-00		1.50 K .25 W 5.0 % CF	2		R525,R527
43	43		13-00439-00		3.30 K .25 W 5.0 % CF	1		R526
44	44		13-01317-00		10.0 .25 W 5.0 % CF	2		R532,R533
45	45		13-02091-00		330.0 K .25 W 5.0 % CF	1		R512
46	46		13-02388-00		2.0 K .25 W 5.0 % CF	1		R524
47	47		13-03179-00		8.20 K .25 W 5.0 % CF	1		R518
48	48		13-05337-00		3.65 K .25 W 1.0 % RM55D-F10	1		R511
49	49		13-07412-00		18.20 K .25 W 1.0 % RM55D-F10	1		R509
50	50		13-07422-00		5.10 .25 W 5.0 % CF	2		R530,R531
51	51		13-11996-02		VARISTOR 275VAC VOLT TRANS SUP	1		R501
52	52		13-18150-12		8.06 K .25 W 1.0 % RM55D-F10	1		R516
53	53		13-19470-53		100.0 K 1.0 W 5.0 % M.OXIDE	1		R505
54	54		13-19471-44		100.0 K 2.0 W 5.0 % M.OXIDE	2		R506,R522
55	55		13-20715-01		470.0 K .50 W 5.0 % CF	1		R502
56	56		13-27007-01		THERMISTOR NTC 10. 15%	2		R503,R504
57	57		13-27013-13		120.0 3.0 W 5.0 % M.OXIDE	1		R523
58	58		13-28026-02		POT-OPEN/TRIM 1.0K 0.2 W 20.0	1		R510
59	59		13-28026-07		POT-OPEN/TRIM 3.0K 0.2 W 20.0	1		R515
60	60		13-28255-01		4.3 K 5.0 W 5.0% MO	1		R521
61	61		13-28260-01		0.64 1.0 W 3.0 % WW	1		R520
62	62		15-09524-00		2N 3904 NPN 310MW SI 40 40 M	2		Q502,Q503
63	63		15-19536-01		SCR PIV= 50 IO= 8.00A	1		Q504
64	64		15-21377-01		FET 75W 850V 2A N CH	1		Q501
65	65		16-12946-03		5.6 UH 10% Q MIN=52@7.9MHZ	1		L503
66	66		16-28285-01		CHOKE COIL 7.0UH	2		L501,L502
67	67		16-28363-01		XFMR,SWITCH MODE 8.5KHZ	1		T502
68	68		16-28431-01		INDUCTOR,COMMON MODE	1		T501
69	69		19-12048-05		7812 VOLT REG,FIX +12V	1		E502
70	70		19-23626-01		PWM OFF-LINE CURRENT	1		E501
71	71		36-18460-01		LABEL,BAR CODE BLANK .38 X1.5	1		
72	72	D-1A-7022361-0-0	70-22361-0C	A	JUMPER VOLTAGE SELECTOR	1		P1
73	73	B-1A-7023276-0-0BU	70-23276-05	A	WIRE W/FASTON	1		P5
74	74	B-1A-7023276-0-0BU	70-23276-06	A	WIRE W/FASTON	1		P4
75	75	B-1A-7024553-0-0BU	70-24553-01	A	ENCLOSURE, SHIELD W/GND TABS	1		H501
76	76	C-MD-7435248-0-0BU	74-35248-01	A	CLIP	1		
77	77		90-08301-01		SCREW,MACH PAN PHIL 4-	3		
78	78		90-09800-02		SCREW,THD RL,PAN PHIL F/PLAS	1		
79	79		90-10057-00		WASHER,SHOULDER INSULATG PPS	2		

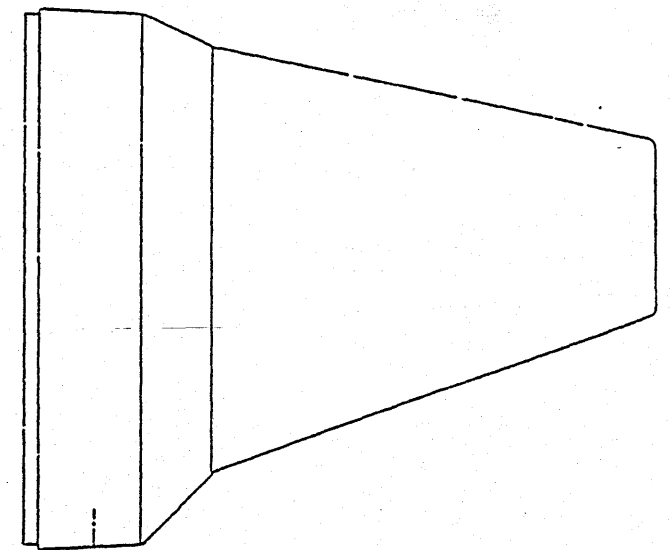
D	I	G	I	T	A	L	TITLE	SECTION A OF A	SIZE	CODE	DOCUMENT NUMBER	REV
							POWER SUPPLY MODULE		K	PL	5417279-0-0BP	A



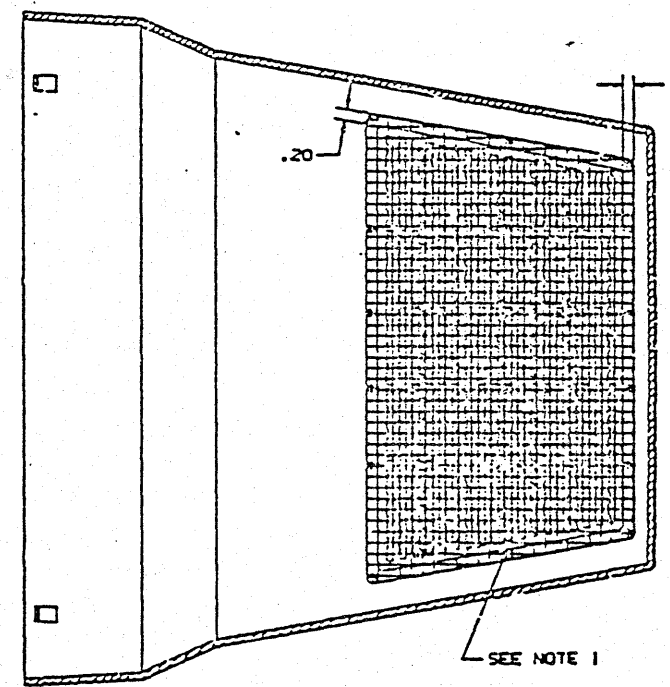
7024242-01
1206

LEGEND		
PART NO	REV.	DESCRIPTION
7024242-01	A01	AS SHOWN

NOTES:
 1. HEAT STAKE ITEM 2 TO ITEM 1. MUSHROOM OF HEAT STAKING MUST EXTEND NO MORE THAN .20 BEYOND THE INDICATED SURFACE. SCREEN ASSEMBLED SHOULD BE ABLE TO WITHSTAND 2 LBS PULL FORCE PERPENDICULAR TO THE INDICATED SURFACE.



3 (QTY 2)



SEE NOTE 1

VIEW "A-A"

CAUTION: OFF SHEET PARTS LIST EXISTS. SEE K-PL-7024242-0-CEP (MLA0718A.PLS)

DESCRIPTION	QUANTITY	UNIT	REVISION
COVER ASSY	1	ASSEMBLY	1
SCREEN MESH	1	SCREEN	1
HEAT STAKE	2	HEAT STAKE	1
FRAMING	1	FRAMING	1
FASTENERS	3	FASTENERS	1

7024242-01
1206

LINE	ITEM	TOP DOCUMENT	PART NUMBER	MIN REV	DESCRIPTION	QTY
1	1	E-MD-7434074-0-DBU	74-34074-01	A	COVER, TOP	1
2	2	B-MD-7434862-0-DBU	74-34862-01	A	SCREEN, LOUVER	1
3	3		12-28386-01		SCREW, CAPTIVE	6-32 --- 2

REVISION HISTORY			KPL MATRIX FORMAT		SECTION A OF A		D I G I T A L	
ENG	ECO NUMBER	REV	SECTION/VARIATION INDEX		CHK'D:	DATE:	TITLE	PARTS LIST
---	INITIAL	A	(A)	01	R. J. LIN	13-MAY-87	COVER ASSY	
			(B)		J. KOU	17-SEP-86		
			(C)		O. LIN	13-MAY-87		
			(D)		GORDON WU	11-JUN-87		
			(E)					
			(F)					
			(H)					
			(J)					
			BASIC PART NUMBER:		ASSEMBLY NUMBER:		TOP DOCUMENT NUMBER:	
			7024242		E-AD-7024242-0-DBU		E-AD-7024242-0-DBU	
					FILE NAME:		EDIT #	
					MLA0716A.PLS		5	

"THIS DRAWING AND THE SPECIFICATIONS CONTAINED HEREIN ARE CONFIDENTIAL AND PROPRIETARY. THEY ARE THE PROPERTY OF DIGITAL EQUIPMENT CORPORATION AND SHALL NOT BE REPRODUCED OR COPIED OR USED IN WHOLE OR IN PART AS THE BASIS FOR THE MANUFACTURE OR SALE OF ITEMS WITHOUT WRITTEN PERMISSION. THIS IS AN UNPUBLISHED WORK PROTECTED UNDER THE FEDERAL COPYRIGHT LAWS."

"THIS DRAWING AND THE SPECIFICATIONS CONTAINED HEREIN ARE CONFIDENTIAL AND PROPRIETARY. THEY ARE THE PROPERTY OF DIGITAL EQUIPMENT CORPORATION AND SHALL NOT BE REPRODUCED OR COPIED OR USED IN WHOLE OR IN PART AS THE BASIS FOR THE MANUFACTURE OR SALE OF ITEMS WITHOUT PERMISSION. THIS IS AN UNPUBLISHED WORK PROTECTED UNDER THE FEDERAL COPYRIGHT LAWS."

DOCUMENT/PART NO.	DESCRIPTION	DOCUMENT/PART REVISIONS											
70-24577-01	M & L W/ARC PRO (DOM)	A01	B01	C01	C02	C01	C02	C01	C02	D01	D02	D01	D02
70-24577-02	M & L W/ARC PRO (INT)	A01	B01	C01	C02	C01	C02	C01	C02	D01	D02	D01	D02
70-24577-03	M & L W/ARC PRO (ARAB)	A01	B01	B02	B01	302	B01	B02	B01	B02	INA	INA	
70-24577-04	M & L W/ARC PRO (RTD)	A01	B01	B02	B01	B02	B01	B02	B01	B02	B01	B02	
70-24577-05	M & L W/ARC PRO (CSS)							-	A01	-	A01	-	A01
70-24577-06	M & L W/ARG PRO (LR)											-	A01
70-24577-07	M & L W/ACR PRO (ARAB)											-	A01
D-IA-7024577-0-DBU	INSEPARABLE ASSY	A	B	C	-	D	-	D	-	E	-	F	-
D-IA-7024577-1-DBU	INSEPARABLE ASSY			-	A	-	B	-	C	-	D	-	E
K-PL-7024577-0-DBP	PARTS LIST	A	B	C	-	D	-	D	-	E	-	F	-
K-PL-7024577-1-DBP	PARTS LIST			-	A	-	B	-	C	-	D	-	E
DRAWING DIRECTORY REVISION			A	A	B	B	C	C	D	D	E	E	

NOTES: DD CREATED AT REV A WITH PREVIOUS HISTORY FOR REFERENCE

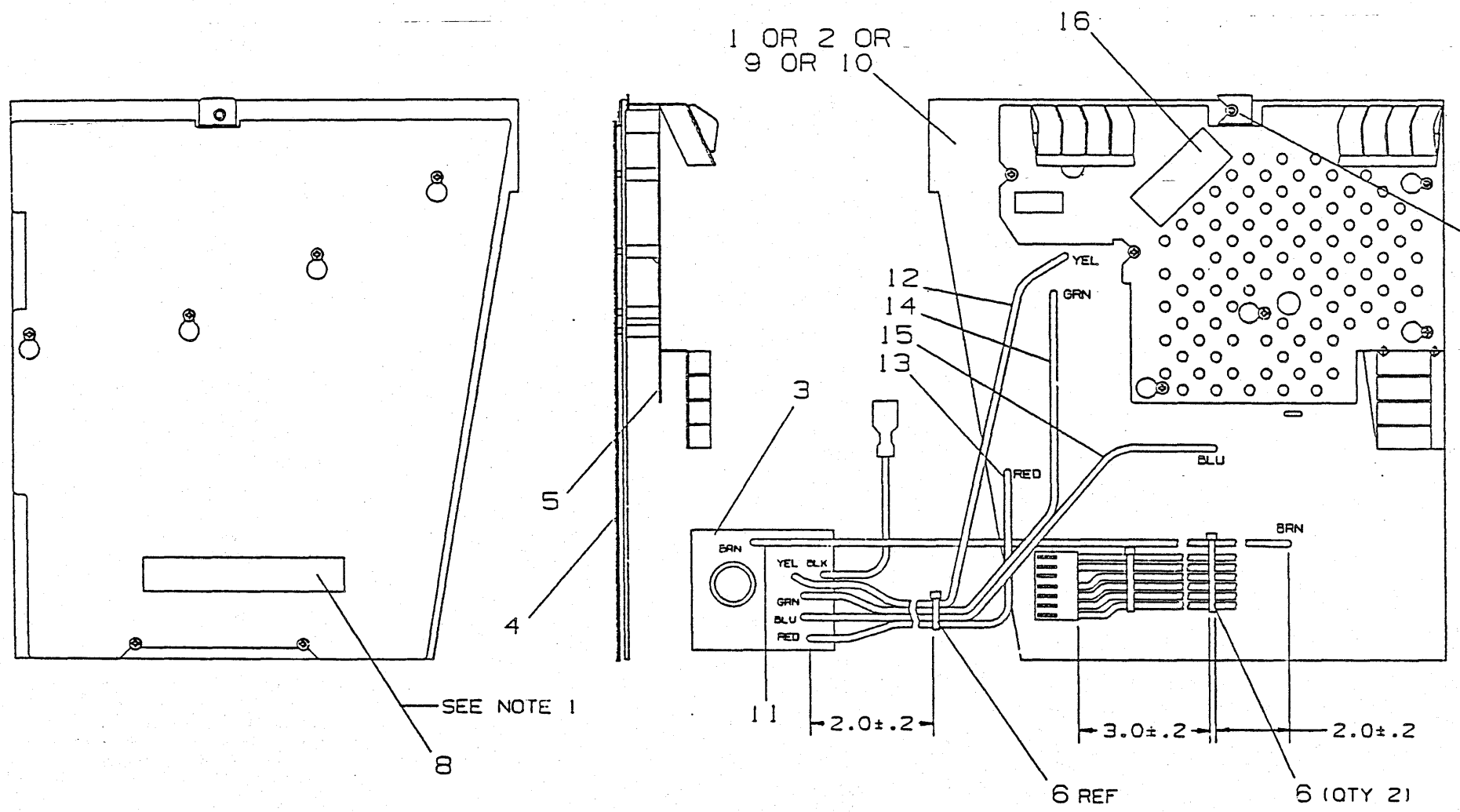
REVISION HISTORY											
DATE	ECO NUMBER	REV	DATE	ECO NUMBER	REV	DATE	ECO NUMBER	REV	DATE	ECO NUMBER	REV
	VT320-ML001	A		7024577-ML001	B		VT320-XX-ML005	C		VT320-ML003	D
	VT320-XX-ML008	E									

d	i	g	i	t	a		DRN: Bob Davis	DATE 05 JAN 88	TITLE: DRAWING DIRECTORY
							CHK'D: Sid Roberts	DATE 05 JAN 88	MONITOR & LOGIC W/ARC PROTECTION
							DES.ENG: T. Furman	DATE 05 JAN 88	
							RES. ENG: T. Furman	DATE 05 JAN 88	SECTION SHEET DOCUMENT NUMBER REV
							IMFG.ENG: Tom Eaves	DATE 05 JAN 88	A OF A 1 OF 1 K-DD-7024577-0-0 E

1987 DIGITAL EQUIPMENT CORPORATION
 7024577-0-DBU
 11A

NOTES:
 1. MARK ITEM 8 WITH PART NO. AND REV. PER DEC STD 047. LOCATED APPROXIMATELY AS SHOWN.
 2. TORQUE REQUIREMENT: ITEM 7 4-6 IN-LBS

INTERCONNECTION TABLE					
FROM			TO		
ITEM	DESCRIPTION	WITH	ITEM	DESCRIPTION	WITH
1 OR 2	MONITOR, LOGIC CONTROL MODULE WIRE W/PCB CRIMP BRN	SOLDER	3	ARC PROTECTION MODULE MH1	SOLDER
	MONITOR, LOGIC CONTROL MODULE WIRE W/PCB CRIMP YEL	SOLDER	3	ARC PROTECTION MODULE MH2	SOLDER
OR 9	MONITOR, LOGIC CONTROL MODULE WIRE W/PCB CRIMP RED	SOLDER	3	ARC PROTECTION MODULE MH3	SOLDER
	MONITOR, LOGIC CONTROL MODULE WIRE W/PCB CRIMP GRN	SOLDER	3	ARC PROTECTION MODULE MH4	SOLDER
OR 10	MONITOR, LOGIC CONTROL MODULE WIRE W/PCB CRIMP BLU	SOLDER	3	ARC PROTECTION MODULE MH5	SOLDER



SEE NOTE 2
 7 (QTY 13)

CAUTION: OFF SHEET PARTS LISTS EXISTS
 SEE K-PL-7024577-0-DBP
 (MLA1472.PLS)

REV	ECO NUMBER	DATE	BY	CHKD
A	RELEASED			
B	VT230-1-1002		S. BOLDWIN	
C	B. BURGESS			
D	7024577-14.001		R. DAVIS 8-APRIL-88	
E	VT230-1-1003		T. J. JAHN	
F	VT230-1-1004		R. DAVIS 17-MAY-1988	
G	VT230-1-1005		T. FURMAN	
H	VT230-1-1006		R. DAVIS 9-JUN-1988	
I	VT230-1-1008		M. BALCHARD	
J	VT230-1-1009		R. DAVIS 28-SEPT-1988	
K			M. BALCHARD	

DESCRIPTION	DRAWING NO.	PART NO.	ITEM NO.
UNLESS OTHERWISE SPECIFIED DIMENSIONS ARE IN INCHES AND THE FOLLOWING TOLERANCES APPLY (PER DEC STD 114)			
INCHES TOLERANCES	ANGLES 10°/30°	APPLICABLE DIMENSION RANGE	
		INCHES OVER 0 TO 0.2	OVER 0.2 TO 0.5
±.01	±.02	±.03	±.04
±.02	±.04	±.05	±.06
±.03	±.06	±.08	±.10
±.04	±.08	±.12	±.15
±.05	±.10	±.15	±.20
±.06	±.12	±.18	±.25
±.08	±.15	±.20	±.30
±.10	±.20	±.25	±.40
±.12	±.25	±.30	±.50
±.15	±.30	±.35	±.60
±.20	±.40	±.45	±.80
±.25	±.50	±.55	±.1.00
±.30	±.60	±.65	±.1.25
±.40	±.80	±.85	±.1.60
±.50	±.1.00	±.1.05	±.2.00
±.60	±.1.25	±.1.30	±.2.50
±.75	±.1.50	±.1.55	±.3.15
±.1.00	±.2.00	±.2.05	±.4.00
±.1.25	±.2.50	±.2.55	±.5.00
±.1.50	±.3.00	±.3.05	±.6.25
±.2.00	±.4.00	±.4.05	±.8.00
±.2.50	±.5.00	±.5.05	±.10.00
±.3.00	±.6.00	±.6.05	±.12.50
±.4.00	±.8.00	±.8.05	±.16.00
±.5.00	±.10.00	±.10.05	±.20.00
±.6.00	±.12.50	±.12.55	±.25.00
±.8.00	±.16.00	±.16.05	±.32.00
±.10.00	±.20.00	±.20.05	±.40.00
±.12.50	±.25.00	±.25.05	±.50.00
±.15.00	±.30.00	±.30.05	±.62.50
±.20.00	±.40.00	±.40.05	±.80.00
±.25.00	±.50.00	±.50.05	±.100.00
±.30.00	±.60.00	±.60.05	±.125.00
±.40.00	±.80.00	±.80.05	±.160.00
±.50.00	±.100.00	±.100.05	±.200.00
±.60.00	±.125.00	±.125.05	±.250.00
±.80.00	±.160.00	±.160.05	±.320.00
±.100.00	±.200.00	±.200.05	±.400.00
±.125.00	±.250.00	±.250.05	±.500.00
±.150.00	±.300.00	±.300.05	±.625.00
±.200.00	±.400.00	±.400.05	±.800.00
±.250.00	±.500.00	±.500.05	±.1000.00
±.300.00	±.600.00	±.600.05	±.1250.00
±.400.00	±.800.00	±.800.05	±.1600.00
±.500.00	±.1000.00	±.1000.05	±.2000.00
±.600.00	±.1250.00	±.1250.05	±.2500.00
±.800.00	±.1600.00	±.1600.05	±.3200.00
±.1000.00	±.2000.00	±.2000.05	±.4000.00
±.1250.00	±.2500.00	±.2500.05	±.5000.00
±.1500.00	±.3000.00	±.3000.05	±.6250.00
±.2000.00	±.4000.00	±.4000.05	±.8000.00
±.2500.00	±.5000.00	±.5000.05	±.10000.00
±.3000.00	±.6000.00	±.6000.05	±.12500.00
±.4000.00	±.8000.00	±.8000.05	±.16000.00
±.5000.00	±.10000.00	±.10000.05	±.20000.00
±.6000.00	±.12500.00	±.12500.05	±.25000.00
±.8000.00	±.16000.00	±.16000.05	±.32000.00
±.10000.00	±.20000.00	±.20000.05	±.40000.00
±.12500.00	±.25000.00	±.25000.05	±.50000.00
±.15000.00	±.30000.00	±.30000.05	±.62500.00
±.20000.00	±.40000.00	±.40000.05	±.80000.00
±.25000.00	±.50000.00	±.50000.05	±.100000.00
±.30000.00	±.60000.00	±.60000.05	±.125000.00
±.40000.00	±.80000.00	±.80000.05	±.160000.00
±.50000.00	±.100000.00	±.100000.05	±.200000.00
±.60000.00	±.125000.00	±.125000.05	±.250000.00
±.80000.00	±.160000.00	±.160000.05	±.320000.00
±.100000.00	±.200000.00	±.200000.05	±.400000.00
±.125000.00	±.250000.00	±.250000.05	±.500000.00
±.150000.00	±.300000.00	±.300000.05	±.625000.00
±.200000.00	±.400000.00	±.400000.05	±.800000.00
±.250000.00	±.500000.00	±.500000.05	±.1000000.00
±.300000.00	±.600000.00	±.600000.05	±.1250000.00
±.400000.00	±.800000.00	±.800000.05	±.1600000.00
±.500000.00	±.1000000.00	±.1000000.05	±.2000000.00
±.600000.00	±.1250000.00	±.1250000.05	±.2500000.00
±.800000.00	±.1600000.00	±.1600000.05	±.3200000.00
±.1000000.00	±.2000000.00	±.2000000.05	±.4000000.00
±.1250000.00	±.2500000.00	±.2500000.05	±.5000000.00
±.1500000.00	±.3000000.00	±.3000000.05	±.6250000.00
±.2000000.00	±.4000000.00	±.4000000.05	±.8000000.00
±.2500000.00	±.5000000.00	±.5000000.05	±.10000000.00
±.3000000.00	±.6000000.00	±.6000000.05	±.12500000.00
±.4000000.00	±.8000000.00	±.8000000.05	±.16000000.00
±.5000000.00	±.10000000.00	±.10000000.05	±.20000000.00
±.6000000.00	±.12500000.00	±.12500000.05	±.25000000.00
±.8000000.00	±.16000000.00	±.16000000.05	±.32000000.00
±.10000000.00	±.20000000.00	±.20000000.05	±.40000000.00
±.12500000.00	±.25000000.00	±.25000000.05	±.50000000.00
±.15000000.00	±.30000000.00	±.30000000.05	±.62500000.00
±.20000000.00	±.40000000.00	±.40000000.05	±.80000000.00
±.25000000.00	±.50000000.00	±.50000000.05	±.100000000.00
±.30000000.00	±.60000000.00	±.60000000.05	±.125000000.00
±.40000000.00	±.80000000.00	±.80000000.05	±.160000000.00
±.50000000.00	±.100000000.00	±.100000000.05	±.200000000.00
±.60000000.00	±.125000000.00	±.125000000.05	±.250000000.00
±.80000000.00	±.160000000.00	±.160000000.05	±.320000000.00
±.100000000.00	±.200000000.00	±.200000000.05	±.400000000.00
±.125000000.00	±.250000000.00	±.250000000.05	±.500000000.00
±.150000000.00	±.300000000.00	±.300000000.05	±.625000000.00
±.200000000.00	±.400000000.00	±.400000000.05	±.800000000.00
±.250000000.00	±.500000000.00	±.500000000.05	±.1000000000.00
±.300000000.00	±.600000000.00	±.600000000.05	±.1250000000.00
±.400000000.00	±.800000000.00	±.800000000.05	±.1600000000.00
±.500000000.00	±.1000000000.00	±.1000000000.05	±.2000000000.00
±.600000000.00	±.1250000000.00	±.1250000000.05	±.2500000000.00
±.800000000.00	±.1600000000.00	±.1600000000.05	±.3200000000.00
±.1000000000.00	±.2000000000.00	±.2000000000.05	±.4000000000.00
±.1250000000.00	±.2500000000.00	±.2500000000.05	±.5000000000.00
±.1500000000.00	±.3000000000.00	±.3000000000.05	±.6250000000.00
±.2000000000.00	±.4000000000.00	±.4000000000.05	±.8000000000.00
±.2500000000.00	±.5000000000.00	±.5000000000.05	±.10000000000.00
±.3000000000.00	±.6000000000.00	±.6000000000.05	±.12500000000.00
±.4000000000.00	±.8000000000.00	±.8000000000.05	±.16000000000.00
±.5000000000.00	±.10000000000.00	±.10000000000.05	±.20000000000.00
±.6000000000.00	±.12500000000.00	±.12500000000.05	±.25000000000.00
±.8000000000.00	±.16000000000.00	±.16000000000.05	±.32000000000.00
±.10000000000.00	±.20000000000.00	±.20000000000.05	±.40000000000.00
±.12500000000.00	±.25000000000.00	±.25000000000.05	±.50000000000.00
±.15000000000.00	±.30000000000.00	±.30000000000.05	±.62500000000.00
±.20000000000.00	±.40000000000.00	±.40000000000.05	±.80000000000.00
±.25000000000.00	±.50000000000.00	±.50000000000.05	±.100000000000.00
±.30000000000.00	±.60000000000.00	±.60000000000.05	±.125000000000.00
±.40000000000.00	±.80000000000.00	±.80000000000.05	±.160000000000.00
±.50000000000.00	±.100000000000.00	±.100000000000.05	±.200000000000.00
±.60000000000.00	±.125000000000.00	±.125000000000.05	±.250000000000.00
±.80000000000.00	±.160000000000.00	±.160000000000.05	±.320000000000.00
±.100000000000.00	±.200000000000.00	±.200000000000.05	±.400000000000.00
±.125000000000.00	±.250000000000.00	±.250000000000.05	±.500000000000.00
±.150000000000.00	±.300000000000.00	±.300000000000.05	±.625000000000.00
±.200000000000.00	±.400000000000.00	±.400000000000.05	±.800000000000.00
±.250000000000.00	±.500000000000.00	±.500000000000.05	±.1000000000000.00
±.300000000000.00	±.600000000000.00	±.600000000000.05	±.1250000000000.00
±.400000000000.00	±.800000000000.00	±.800000000000.05	±.1600000000000.00
±.500000000000.00	±.1000000000000.00	±.1000000000000.05	±.2000000000000.00
±.600000000000.00	±.1250000000000.00	±.1250000000000.05	±.2500000000000.00
±.800000000000.00	±.1600000000000.00	±.1600000000000.05	±.3200000000000.00
±.1000000000000.00	±.2000000000000.00	±.2000000000000.05	±.4000000000000.00
±.1250000000000.00	±.2500000000000.00	±.2500000000000.05	±.5000000000000.00
±.1500000000000.00	±.3000000000000.00	±.3000000000000.05	±.625000000

LINE ITEM TOP DOCUMENT

PART NUMBER MIN REV

DESCRIPTION

01 02 03 04
001 001 INA B01

QUANTITY PER VARIATION/REVISION

1	1	B-DD-5417189-0-0	54-17189-01	F	MONITOR LOGIC CONTROL BOARD	1	-	-	-
2	2	B-DD-5417277-0-0	54-17277-01	E	LOGIC CNTRL BRD MONITOR	-	1	-	-
3	3	B-DD-5417339-0-0	54-17339-01	A	ARC PROTECTION BOARD	1	1	1	1
4	4	C-IA-7024597-0-DBU	70-24597-01	A	SHIELD/INSULATOR	1	1	1	1
5	5	C-IA-7025384-0-DBU	70-25384-01	A	COVER EMI W/GND FINGERS	1	1	1	1
6	6		90-09996-00		TIE,CABLE PRELOADED MAG.100 EA	2	2	2	2
7	7		12-23598-02		SCREW,MACH 4-40 PAN	13	13	13	13
8	8		36-18460-03		LABEL,BAR CODE BLANK .90 X2.2	1	1	1	1
9	9	B-DD-5417277-0-0	54-17277-02	B	*** THIS ITEM IS NOT USED ***	-	-	-	-
10	10	B-DD-5417277-0-0	54-17277-03	B	LOGIC CNTRL BRD MONITOR	-	-	-	-
11	11	B-IA-7024586-0-DBU	70-24586-01	A	WIRE W/PCB CRIMP	1	1	1	1
12	12	B-IA-7024586-0-DBU	70-24586-02	A	WIRE W/PCB CRIMP	1	1	1	1
13	13	B-IA-7024586-0-DBU	70-24586-03	A	WIRE W/PCB CRIMP	1	1	1	1
14	14	B-IA-7024586-0-DBU	70-24586-04	A	WIRE W/PCB CRIMP	1	1	1	1
15	15	B-IA-7024586-0-DBU	70-24586-05	A	WIRE W/PCB CRIMP	1	1	1	1
16	16		36-29244-01	A	LABEL,WARNING F/FIELD SERV REPLACE	-	-	-	1

REVISION HISTORY		KPL MATRIX FORMAT		SECTION A OF A	DRN: Y.W. LEE	D I G I T A L			
ENG	ECO NUMBER	REV	SECTION/VARIATION INDEX		DATE: 11-MAY-87				
---	INITIAL	A	[A] 01,02,03,04		CHK'D: R.J. LIN	TITLE PARTS LIST			
BB	VT320-X-ML002	B	[B]		DATE: 14-MAY-87	MONITOR & LOGIC			
TF	VT320-ML001	C	[C]		DES.ENG: J. KUO	W/ARC PROTECTION			
TF	7024577-ML001	D	[D]		DATE: 11-MAY-87	DOCUMENT NUMBER			
MB	VT320-ML003	E	[E]		RESP.ENG.: O. LIN	SIZE	CODE	NUMBER	REV
MB	VT320-XX-ML008	F	[F]		DATE: 14-MAY-87	K	PL	7024577-0-DBP	F
			[H]		MFG.ENG: GORDON WU	RELEASE DATE: 26-SEP-89			
			[J]		DATE: 11-JUN-87	RELEASE STATUS: RELEASED			
BASIC PART NUMBER:			ASSEMBLY NUMBER:		TOP DOCUMENT NUMBER:			EDIT #	
7024577			D-IA-7024577-0-DBU		K-DD-7024577-0-0			1	
FILE NAME: MLA1472F.PLS									

"THIS DRAWING AND THE SPECIFICATIONS CONTAINED HEREIN ARE CONFIDENTIAL AND PROPRIETARY. THEY ARE THE PROPERTY OF DIGITAL EQUIPMENT CORPORATION AND SHALL NOT BE REPRODUCED OR COPIED OR USED IN WHOLE OR IN PART AS THE BASIS FOR THE MANUFACTURE OR SALE OF ITEMS WITHOUT WRITTEN PERMISSION. THIS IS AN UNPUBLISHED WORK PROTECTED UNDER THE FEDERAL COPYRIGHT LAWS."

LINE	ITEM	TOP DOCUMENT	PART NUMBER	MIN REV	DESCRIPTION	QUANTITY PER VARIATION/REVISION						
						01 D02	02 D02	03 INA	04 B02	05 A01	06 A01	07 A01
1	1	B-DD-5417189-0-0	54-17189-01	F	MONITOR LOGIC CONTROL BOARD	1	-	-	-	-	-	-
2	2	B-DD-5417277-0-0	54-17277-01	E	LOGIC CNTRL BRD MONITOR	-	1	-	-	-	-	-
3	3	B-DD-5417339-0-0	54-17339-01	A	*** THIS ITEM IS NOT USED ***	-	-	-	-	-	-	-
4	4	C-IA-7024597-0-DBU	70-24597-01	A	SHIELD/INSULATOR	1	1	1	1	1	1	1
5	5	C-IA-7025384-0-DBU	70-25384-01	A	COVER EMI W/CND FINGERS	1	1	1	1	1	1	1
6	6		90-09996-00		*** THIS ITEM IS NOT USED ***	-	-	-	-	-	-	-
7	7		12-23598-02		SCREW,MACH 4-40 PAN	13	13	13	13	13	13	13
8	8		36-18460-03		LABEL,BAR CODE BLANK .90 X2.2	1	1	1	1	1	1	1
9	9	B-DD-5417277-0-0	54-17277-02	B	*** THIS ITEM IS NOT USED ***	-	-	-	-	-	-	-
10	10	B-DD-5417277-0-0	54-17277-03	B	LOGIC CNTRL BRD MONITOR	-	-	-	1	-	-	-
11	11		12-22103-04		SKT,CKT 07PIN	1	1	1	1	1	1	1
12	12		36-29244-01	A	LABEL,WARNING F/FIELD SERV REPLACE	-	-	-	1	-	-	-
13	13	K-DD-5419284-0-0	54-19284-01	A	MONITOR/TERMINAL CONTROLLER MODULE	-	-	-	-	1	-	-
14	14	B-DD-5417277-0-0	54-17277-04	A	LOGIC CONTROL BRD MONITOR (ARABIC)	-	-	-	-	-	-	1
15	15	B-DD-5418735-0-0	54-18735-01	A	MONITOR, LOGIC CONTROL MODULE	-	-	-	-	-	1	-

REVISION HISTORY			KPL MATRIX FORMAT		SECTION A OF A	DRN: R. DAVIS	D I G I T A L			
ENG	ECO NUMBER	REV	SECTION/VARIATION INDEX			DATE: 06-APR-89				
TF	VT320-ML001	A	[A]	01,02,03,04,05,06,07		CHK'D: S. ROBERTS	TITLE PARTS LIST			
TF	7024577-ML001	B	[B]			DATE: 06-APR-89	MONITOR & LOGIC W/ARC PROTECTION			
MB	VT320-XX-ML005	C	[C]			DES.ENG: T. FURMAN	DOCUMENT NUMBER			
MB	VT320-ML003	D	[D]			DATE: 06-APR-89	SIZE	CODE	NUMBER	REV
MB	VT320-XX-ML008	E	[E]			RESP.ENG.: T. FURMAN	K	PL	7024577-1-DBP	E
			[F]			DATE: 06-APR-89	RELEASE DATE: 23-OCT-89			
			[H]			MFG.ENG: T. EAVES	RELEASE STATUS: RELEASED			
			[J]			DATE: 06-APR-89				
BASIC PART NUMBER:			ASSEMBLY NUMBER:		TOP DOCUMENT NUMBER:		EDIT #			
7024577			D-IA-7024577-0-0		K-DD-7024577-0-0		10			
FILE NAME: MLA3154E.PLS										

"THIS DRAWING AND THE SPECIFICATIONS CONTAINED HEREIN ARE CONFIDENTIAL AND PROPRIETARY. THEY ARE THE PROPERTY OF DIGITAL EQUIPMENT CORPORATION AND SHALL NOT BE REPRODUCED OR COPIED OR USED IN WHOLE OR IN PART AS THE BASIS FOR THE MANUFACTURE OR SALE OF ITEMS WITHOUT WRITTEN PERMISSION. THIS IS AN UNPUBLISHED WORK PROTECTED UNDER THE FEDERAL COPYRIGHT LAWS."

