

digital

DKC8-A
Engineering Drawings
Digital Equipment Corporation

The material herein is for information purposes only and is subject to change without notice. Digital Equipment Corporation assumes no responsibility for any errors which may appear herein.

These drawings and specifications herein are the property of Digital Equipment Corporation and shall not be reproduced or copied or used in whole or in part as the basis for the manufacture or sale of items without written permission.

Copyright © 1975, Digital Equipment Corporation

This drawing and specifications, herein, are the property of Digital Equipment Corporation and shall not be reproduced or copied or used in whole or in part as the basis for the manufacture or sale of items without written permission.

**DIGITAL EQUIPMENT CORPORATION
MAYNARD, MASSACHUSETTS**

ENGINEERING SPECIFICATION

DATE 11/19/74

TITLE FIELD INSTALLATION & ACCEPTANCE PROCEDURE FOR DKC8-A

REVISIONS

REV	DESCRIPTION	CHG NO	ORIG	DATE	APPD BY	DATE

ENG <i>J. Nardi</i> 12/20/74	APPD <i>Carl Ch...</i>	SIZE A	CODE SP	NUMBER DKC8-A-1	REV
------------------------------	------------------------	---------------	---------	-----------------	-----

DEC 16-(392)-1079-N971
DRA 107

ENGINEERING SPECIFICATION

CONTINUATION SHEET

TITLE FIELD INSTALLATION & ACCEPTANCE PROCEDURE FOR DKC8-A

I GENERAL

This procedure defines the performance standard required of the DKC8*, option board #1. This procedure refers to both system acceptance and add-on acceptance.

NOTE: If DKC8 was shipped as part of a PDP-8A system, proceed to installation procedure.

- * Serial Line Unit
- Real Time Clock
- Parallel I/O
- Programmer's Console Logic

II INSPECTION

After removing the DKC8 from the packing material, inspect the module for the following:

1. Inventory hardware against shipping list.
2. Inventory software against software list, if ordered.
3. Inventory prints against shipping list, if ordered.
4. Check hardware for loose or broken components.

III INSTALLATION PROCEDURE

Install the equipment using the following procedure:

1. Set up switches as indicated by the diagnostic write up.

S1-1 thru S1-3	"ON"	9600 baud
S1-4	"ON"	Normally "ON"
S1-5	"ON"	Real Time Clock Enable
S1-6	"ON"	Normally "ON"
S1-7	"ON"	One Stop Bit
S1-8	"OFF"	Disable TTY 20 MA Filter

NOTE: Reference Operator's Handbook for switch setting descriptions.

2. Insert TTY loop back cable (DEC Part #7008517) on DKC8.
3. Insert parallel I/O cable loop back cable (DEC Part # BC08R-1) on DKC8.

SIZE A	CODE SP	NUMBER DKC8-A-1	REV
---------------	---------	-----------------	-----

DEC FORM NO DEC 16-(381)-1022-N370
DRA 108

TITLE FIELD INSTALLATION AND ACCEPTANCE PROCEDURE FOR DKC8-A

III INSTALLATION PROCEDURE (continued)

4. Insert two programmer's console cables on DKC8.
5. Insure that the 8A Power is removed from the Omnibus™.
6. Insert DKC8 into the second or third slot of the Omnibus™.
7. Turn the power back "ON".
8. Check the operation of the programmer's console.

IV ACCEPTANCE PROCEDURE

Perform the acceptance procedure defined in Table A. If abnormal indications are encountered, refer to the diagnostic listing for type of error. Reference the diagnostic write ups and operator's manual for instructions on loading diagnostics.

Equipment Required:

1. PDP-8A with 1K or more R/W Memory
2. Paper Tape Input Device
3. Programmer's Console (KC8-A)
4. Diagnostic and Listings
5. TTY loop Back Cable
6. Parallel I/O Loop Back Cable
7. W987 Quad Extender

NOTE: If the programmer's console and paper tape input device are not available as part of the system being used, they must be supplied in good working order by the customer.

SIZE A	CODE SP	NUMBER DKC8-A-1	REV
-----------	------------	--------------------	-----

TITLE FIELD INSTALLATION & ACCEPTANCE PROCEDURE FOR DKC8-A

TABLE A

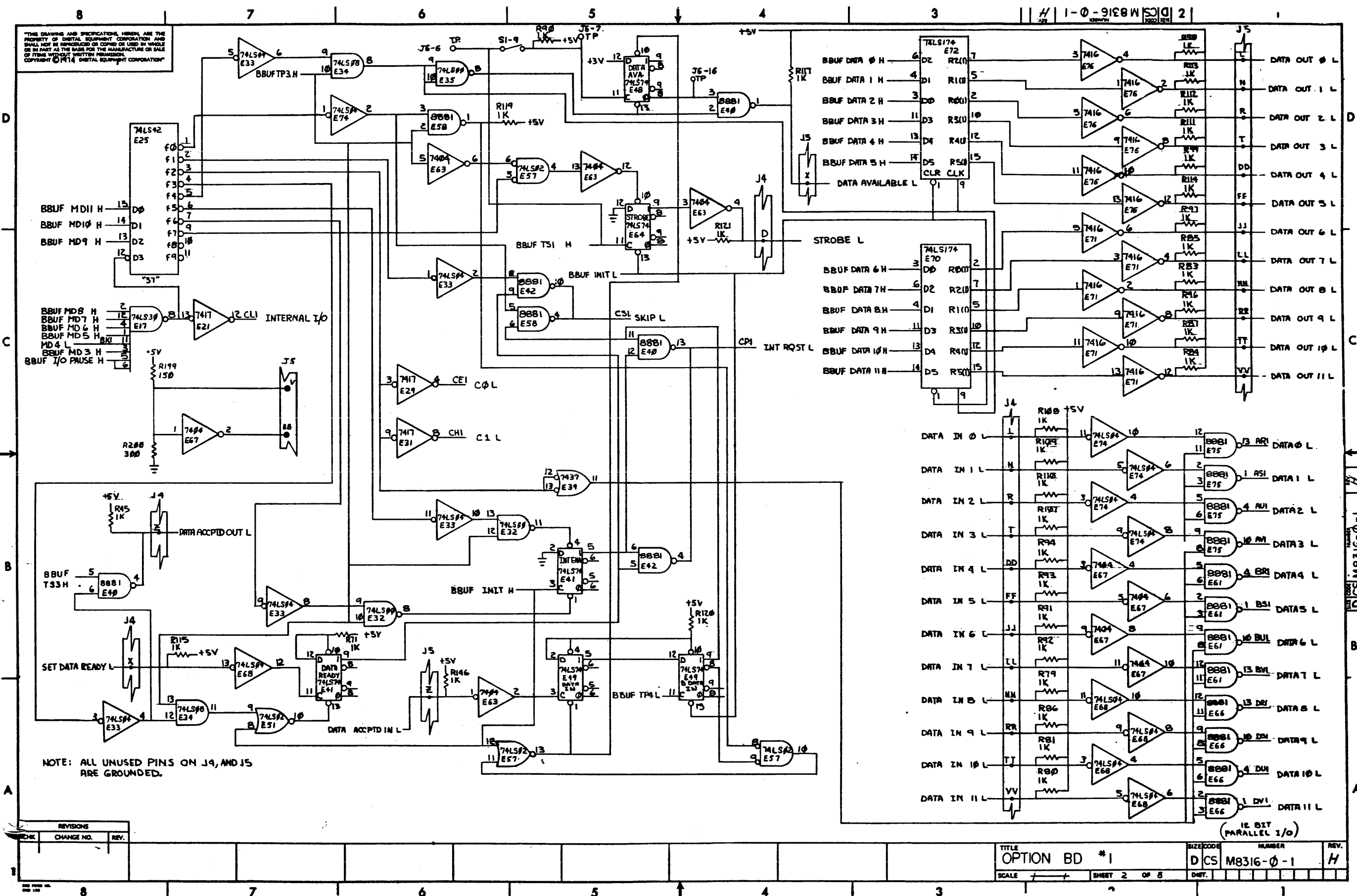
Acceptance of DKC8 with 4K or More R/W Memory

Program Name	Maindec #	Accept Time	Restriction
DKC8-AA Option Test #1	08-DJDKA-PB	30 min	4K R/W Memory

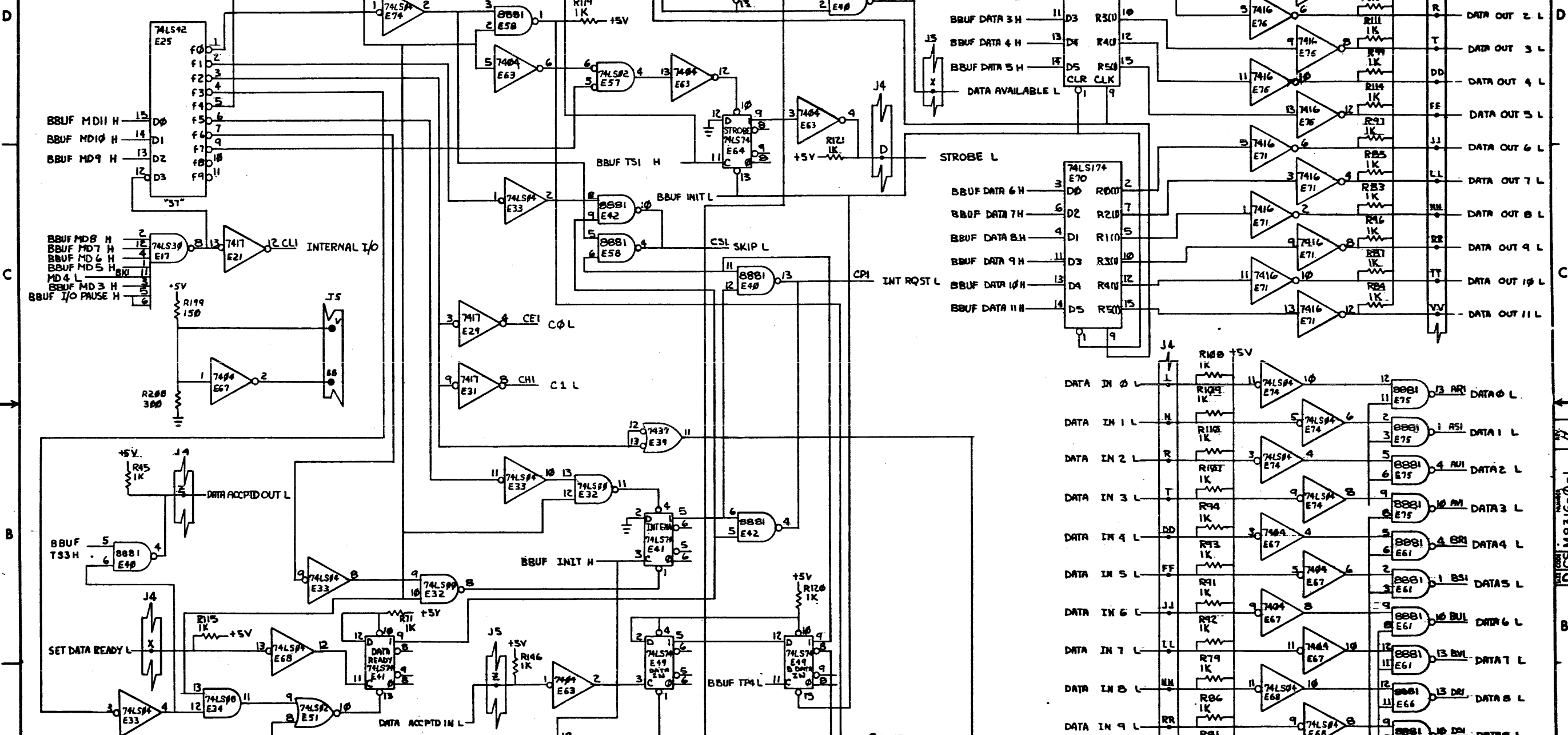
Acceptance of DKC8 with less than 1K of R/W Memory

DKC8-AA Opteion Test #1 Segment #1 (RIM)	08-DJDKA -PM1	10 min	1K R/W Memory
DKC8-AA Option Test #1 Segment #2 (RIM)	08-DJDKA -PM2	10 min	1K R/W Memory
DKC8-AA Option Test #1 Segment #3 (RIM)	08-DJDKA -PM3	10 min	1K R/W Memory
DKC8-AA Option Test #1 Segment #4 (RIM)	08-DJDKA -PM4	10 min	1K R/W Memory

SIZE A	CODE SP	NUMBER DKC8-A-1	REV
-----------	------------	--------------------	-----



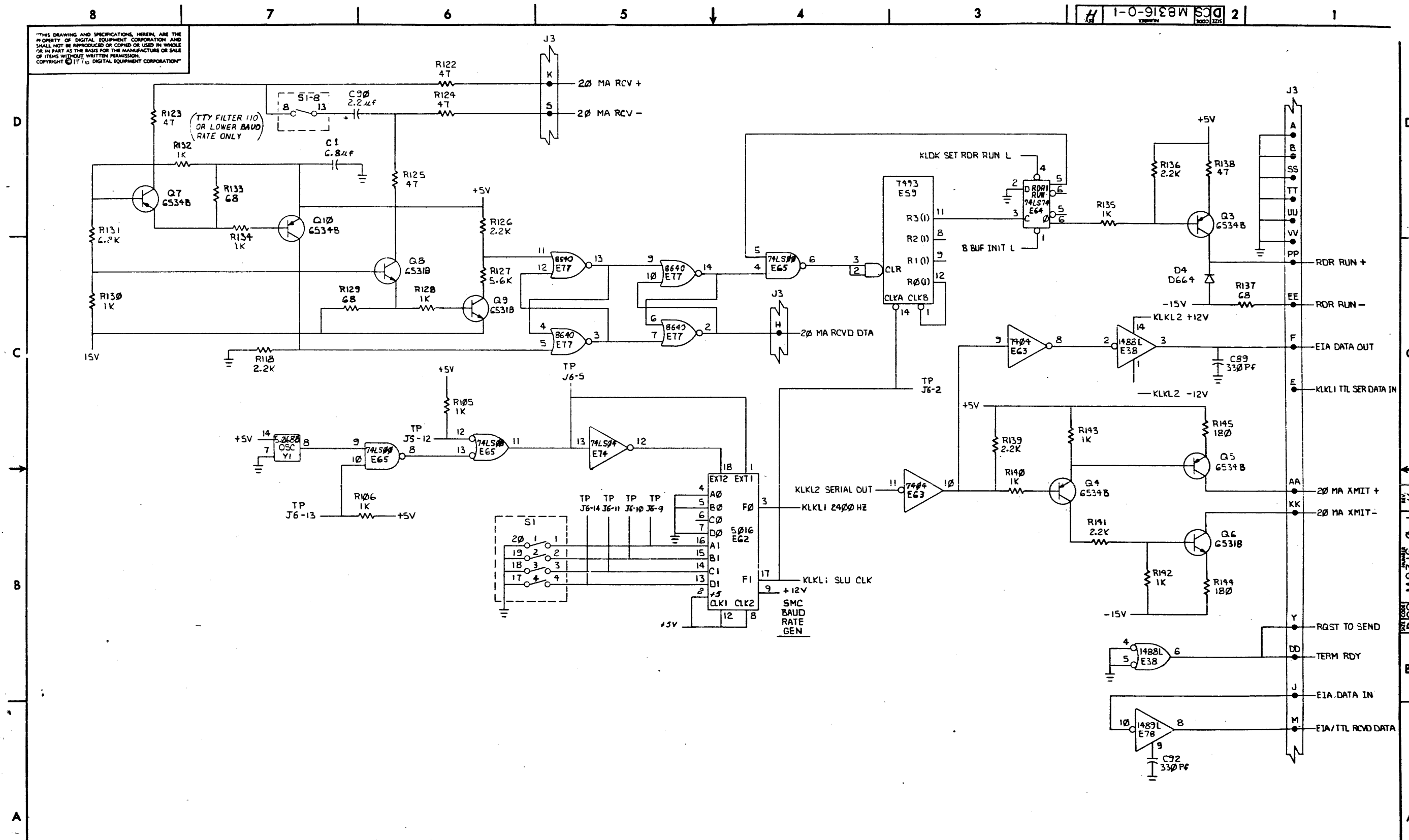
THE DRAWING AND SPECIFICATIONS HEREIN ARE THE PROPERTY OF DIGITAL EQUIPMENT CORPORATION AND SHALL NOT BE REPRODUCED OR COPIED OR USED IN WHOLE OR IN PART AS THE BASIS FOR THE MANUFACTURE OR SALE OF ITEMS WITHOUT WRITTEN PERMISSION. COPYRIGHT © 1974 DIGITAL EQUIPMENT CORPORATION



NOTE: ALL UNUSED PINS ON J4, AND J5 ARE GROUNDED.

REV. NO.	CHANGE NO.	REV.	TITLE	SIZE/CODE	NUMBER	REV.
1			OPTION BD #1	D CS	M8316-0-1	H
REVISIONS			SCALE	SHEET 2 OF 8		

"THIS DRAWING AND SPECIFICATIONS, HEREIN, ARE THE PROPERTY OF DIGITAL EQUIPMENT CORPORATION AND SHALL NOT BE REPRODUCED OR COPIED OR USED IN WHOLE OR IN PART AS THE BASIS FOR THE MANUFACTURE OR SALE OF ITEMS WITHOUT WRITTEN PERMISSION. COPYRIGHT © 1970 DIGITAL EQUIPMENT CORPORATION"

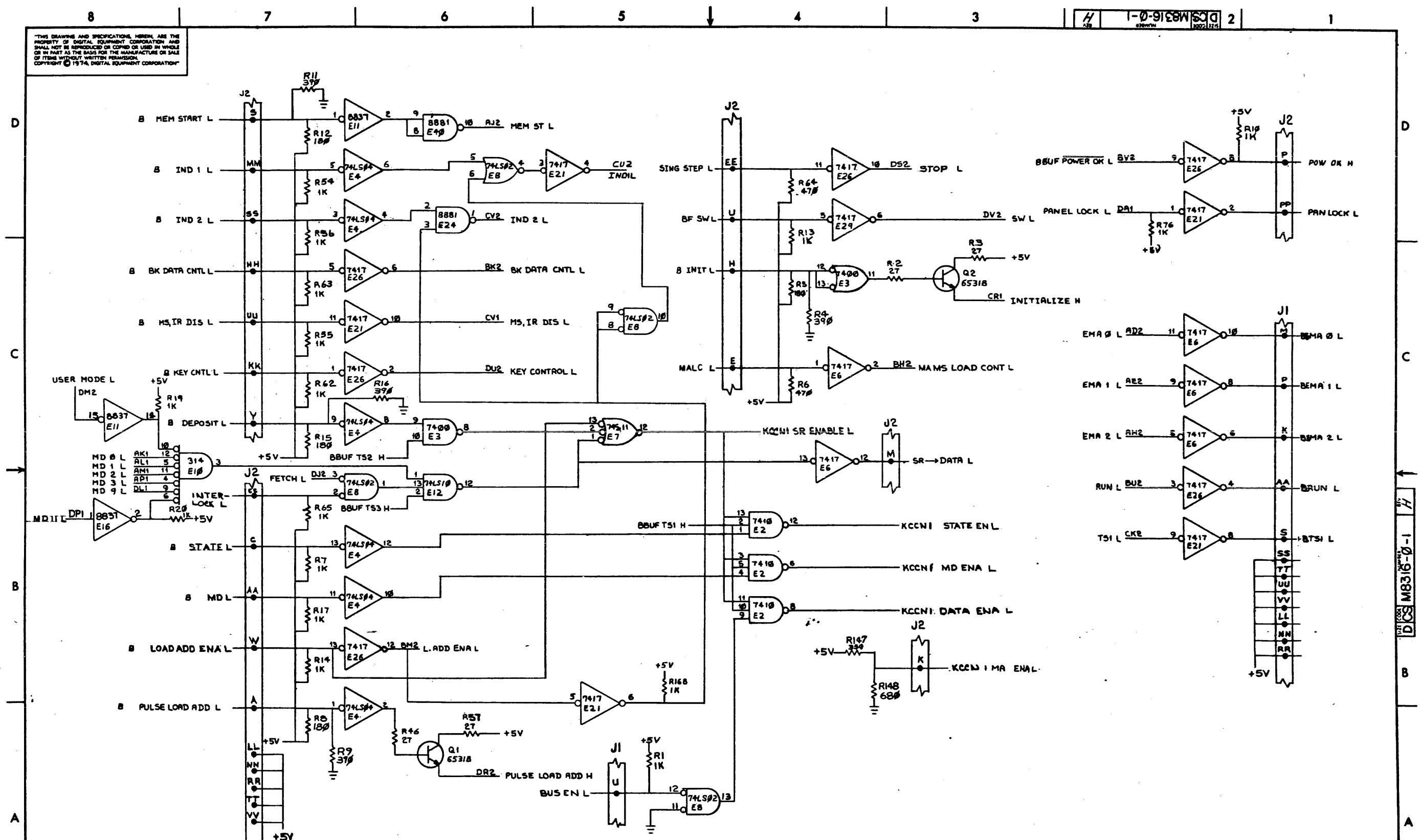


REVISIONS		
CHK	C-CHANGE	REV.

(BAUD RATE GEN & 20 MA, EIA DRIVERS / RECEIVERS)

TITLE	OPTION BD #1	SIZE CODE	DCS	NUMBER	M8316-0-1	REV.	H
SCALE		SHEET	4	OF	8	DIST.	

THIS DRAWING AND SPECIFICATIONS HEREIN ARE THE PROPERTY OF DIGITAL EQUIPMENT CORPORATION AND SHALL NOT BE REPRODUCED OR COPIED OR USED IN WHOLE OR IN PART AS THE BASIS FOR THE MANUFACTURE OR SALE OF ITEMS WITHOUT WRITTEN PERMISSION. COPYRIGHT © 1974, DIGITAL EQUIPMENT CORPORATION.

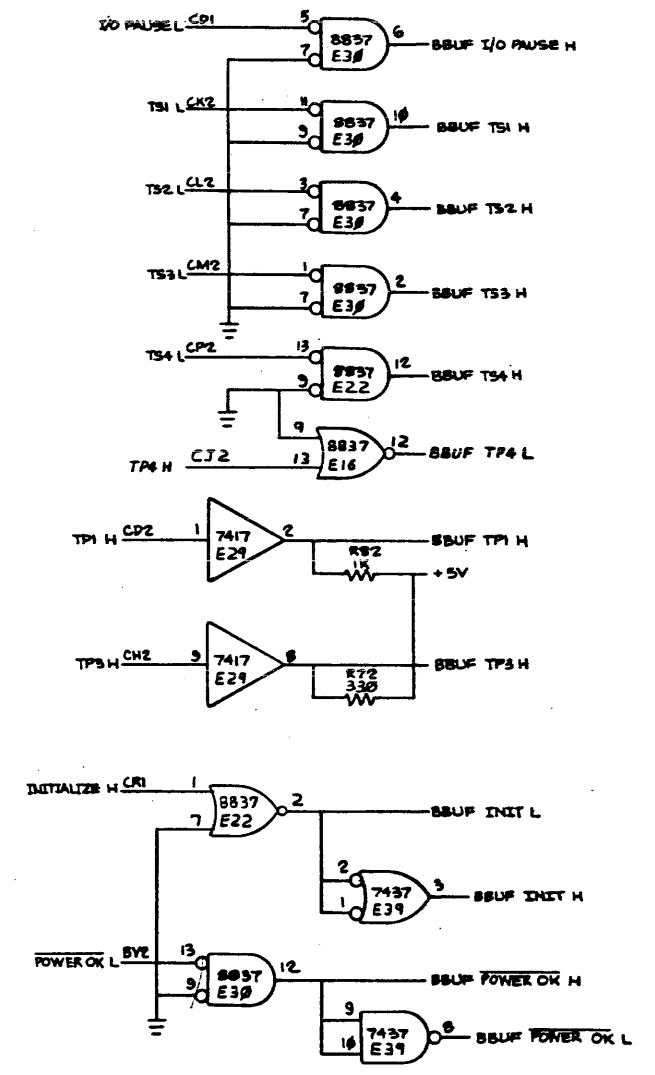
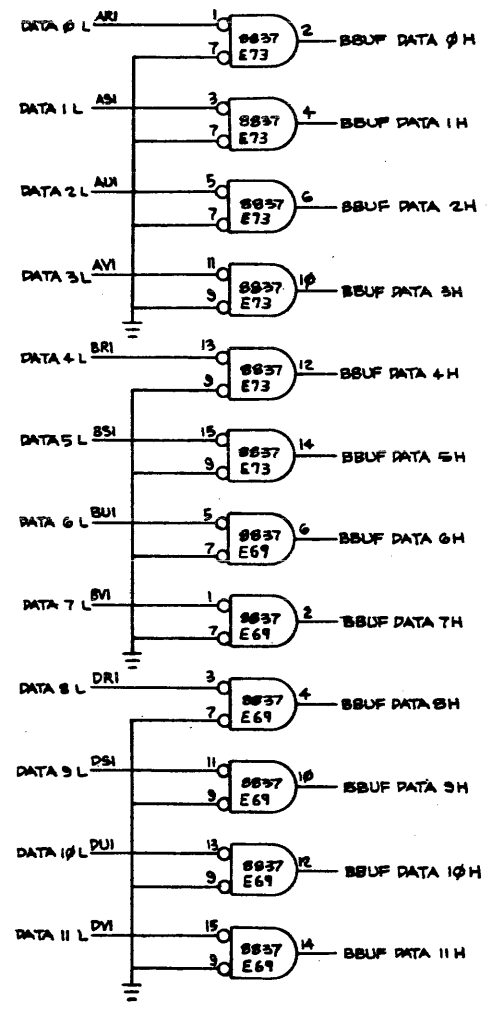
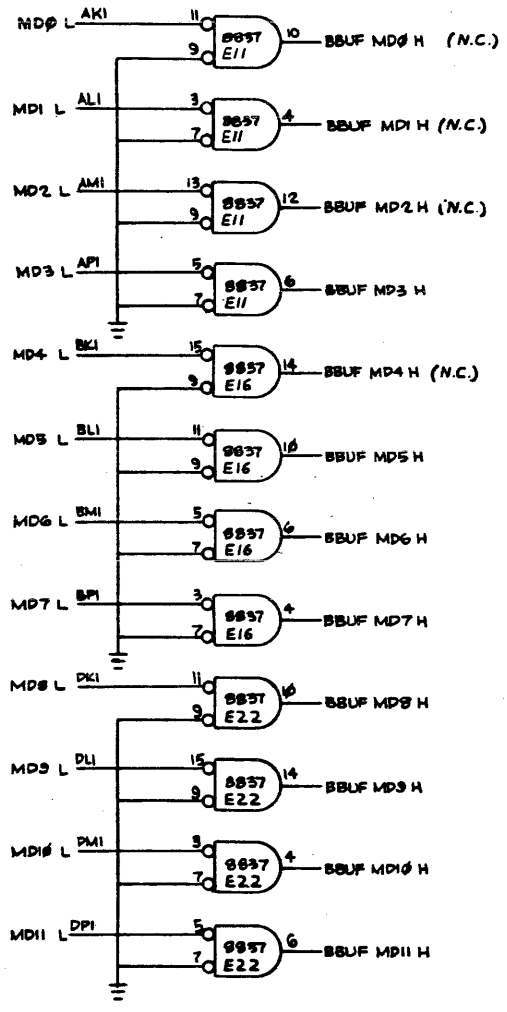


REVISIONS		
CHK	CHANGE NO.	REV.

(PROGRAMMER'S PANEL CONTROL)

8	7	6	5	4	3	2	1	
TITLE						OPTION BD #1	NUMBER	REV.
SCALE						SHEET 6 OF 8	DIST.	
						SIZE CODE	D C S	
							M 8316-0-1	H

THE DRAWINGS AND SPECIFICATIONS HEREIN ARE THE PROPERTY OF DIGITAL EQUIPMENT CORPORATION AND SHALL NOT BE REPRODUCED OR COPIED OR USED IN WHOLE OR IN PART AS THE BASIS FOR THE MANUFACTURE OR SALE OF ITEMS WITHOUT WRITTEN PERMISSION. COPYRIGHT © 1974 DIGITAL EQUIPMENT CORPORATION



(BUS BUFFERS)

REVISIONS	
CHANGE NO.	REV.


REV. H M3816-0-1 DCS

This drawing and specifications, herein, are the property of Digital Equipment Corporation and shall not be reproduced or copied or used in whole or in part as the basis for the manufacture or sale of items without written permission. COPYRIGHT © 1974

DIGITAL EQUIPMENT CORPORATION

REV. NUMBER KRL M8316-0-8 SIZE CODE 2

REVISIONS CHANGE NO.	REV.
	CHK

FIRST USED ON OPTION MODEL	QTY.	DESCRIPTION	PART NO.	ITEM NO.
DKC8-A				
PARTS LIST				
DRN. <i>Walt Degen</i>	DATE 7/9/74	 digital EQUIPMENT CORPORATION <small>MAYNARD, MASSACHUSETTS</small>		
CHK'D. <i>Walt Degen</i>	DATE 7/9/74			
ENG. <i>Amy Thelie</i>	DATE 8/1/74			
PROJ. ENG. <i>Amy Thelie</i>	DATE 8/1/74			
PROD. <i>Don D'Amore</i>	DATE 9/5/74			
NEXT HIGHER ASSEMBLY B-DD-DKC8-A		TITLE ROM PATTERN SPEC OPTION #1 (KLDK ROM #1)		
SCALE		SIZE CODE KRL	NUMBER M8316-0-8	
SHEET 1	OF 2	DIST.		

K-RL-M8318-0-8
DEC PART NUMB: 23-062A1
ORIGINATOR: LARRY NARHI
DATE OF ORIGIN: 01-21-74

ROM PATTERN SPEC

DECIMAL LOC	OCTAL LOC	BINARY DATA	OCTAL DATA
0	00	11111000	370
1	01	11111000	370
2	02	11111000	370
3	03	01011000	130
4	04	10011000	230
5	05	11111000	370
6	06	11111000	370
7	07	11111000	370
8	10	11111000	370
9	11	11111000	370
10	12	11111000	370
11	13	11010000	320
12	14	11111000	370
13	15	11111000	370
14	16	11111000	370
15	17	11111000	370
16	20	11111000	370
17	21	11111000	370
18	22	11111000	370
19	23	01011000	130
20	24	10011000	230
21	25	11111000	370
22	26	11111000	370
23	27	11111000	370
24	30	11001000	310
25	31	11111000	370
26	32	11111000	370
27	33	11010000	320
28	34	11111000	370
29	35	11111000	370
30	36	11111000	370
31	37	11111000	370

01191181 EQUIPMENT CORPORATION

This drawing and specifications, herein, are the property of Digital Equipment Corporation and shall not be reproduced or copied or used in whole or in part as the basis for the manufacture or sale of items without written permission. COPYRIGHT © 1974

DIGITAL EQUIPMENT CORPORATION

REV. NUMBER SIZE CODE NUMBER 6-0-9 M8316-KRL 2 1

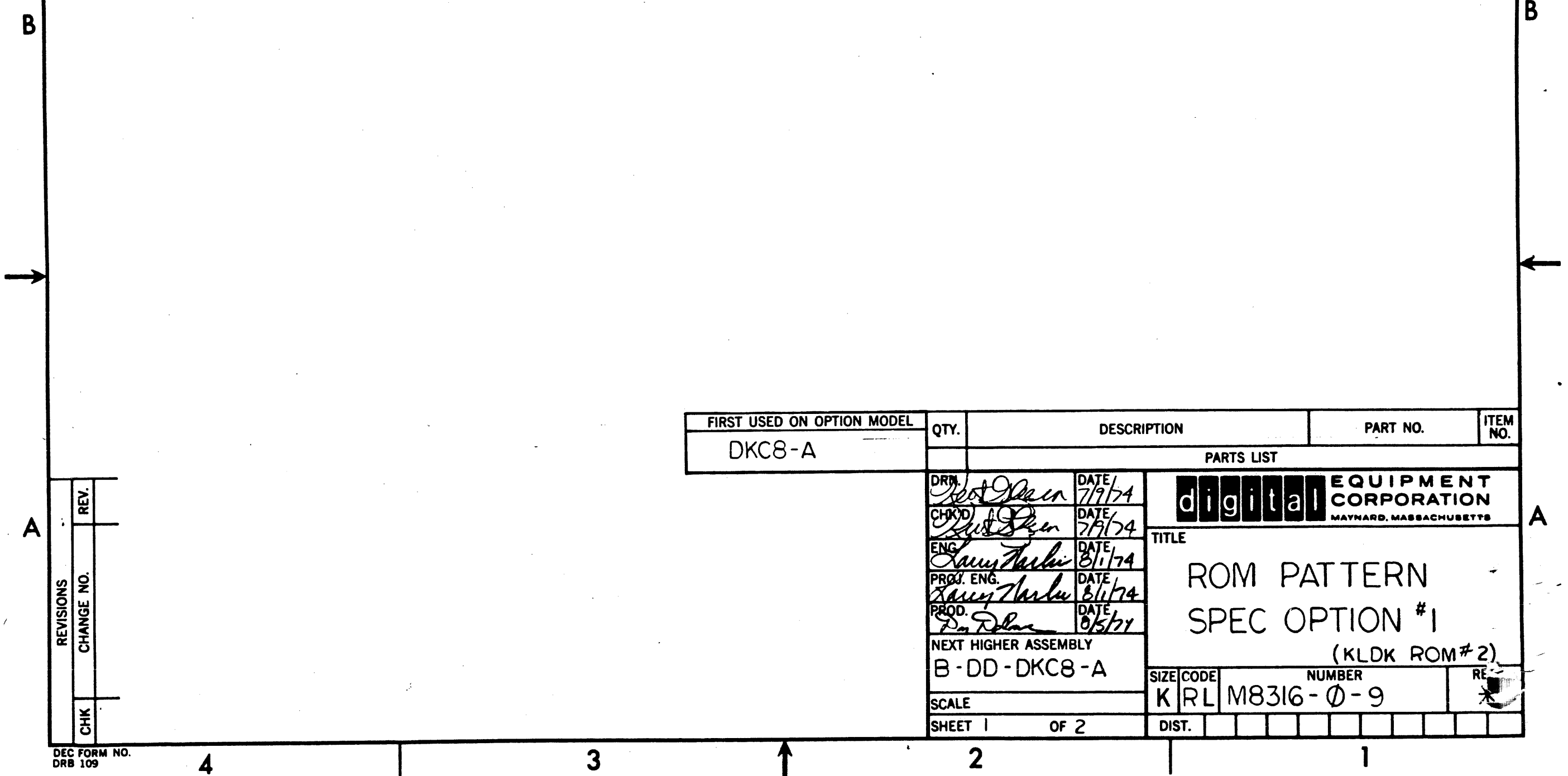
FIRST USED ON OPTION MODEL	QTY.	DESCRIPTION	PART NO.	ITEM NO.
DKC8-A		PARTS LIST		
DRN	<i>Scott Macin</i>	DATE	7/9/74	
CHK'D	<i>Scott Macin</i>	DATE	7/9/74	
ENG	<i>Larry Tharlu</i>	DATE	8/1/74	
PROJ. ENG.	<i>Larry Tharlu</i>	DATE	8/1/74	
PROD.	<i>Don Dolan</i>	DATE	8/5/74	
NEXT HIGHER ASSEMBLY		B-DD-DKC8-A		
SCALE		SHEET 1 OF 2		
SIZE CODE		KRL M8316-0-9		
DIST.				

digital EQUIPMENT CORPORATION
MAYNARD, MASSACHUSETTS

TITLE
ROM PATTERN
SPEC OPTION #1
(KLDK ROM #2)

REVISIONS	REV.
CHANGE NO.	
CHK	

DEC FORM NO. DRB 109



DEC PART NUMB: 23-063A1
 ORIGINATOR: LARRY NARHI
 DATE OF ORIGIN: 01-24-74

DECIMAL LOC	OCTAL LOC	BINARY DATA	OCTAL DATA
0	00	00110000	060
1	01	00110000	060
2	02	00110000	070
3	03	00110000	060
4	04	00110001	061
5	05	00110000	060
6	06	00111001	071
7	07	00110000	060
8	10	00110000	060
9	11	00110000	060
10	12	00110000	060
11	13	00110000	060
12	14	00110000	060
13	15	00110000	060
14	16	00110000	060
15	17	00110000	060
16	20	00110000	060
17	21	00110000	060
18	22	00110000	060
19	23	00110000	060
20	24	00110000	060
21	25	00110000	060
22	26	00110000	060
23	27	00110000	060
24	30	10110000	260
25	31	01110000	160
26	32	10000000	200
27	33	00110000	060
28	34	00100010	042
29	35	00110100	064
30	36	10000010	202
31	37	00110000	060