

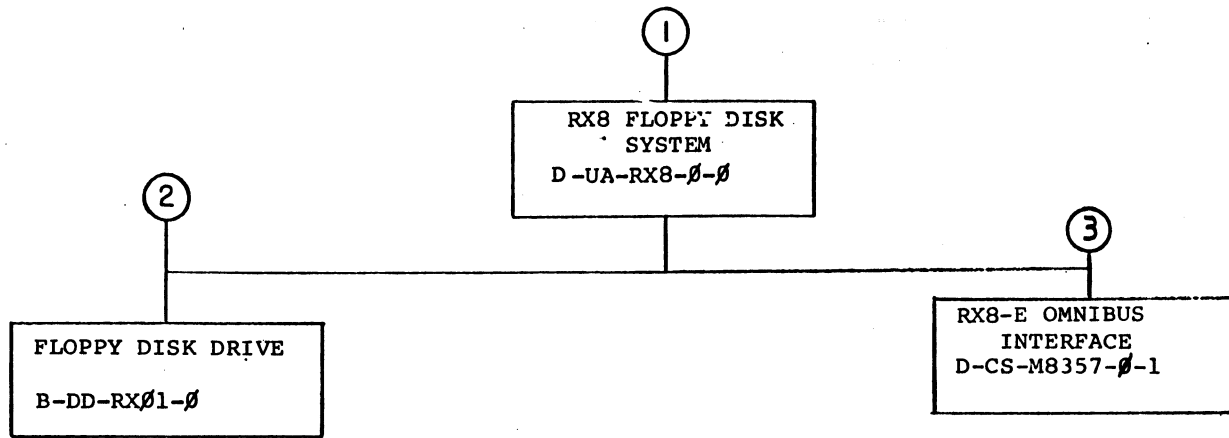
**digital**

**R X8**  
**Engineering Drawings**  
**Digital Equipment Corporation**

The material herein is for information purposes only and is subject to change without notice. Digital Equipment Corporation assumes no responsibility for any errors which may appear herein.

These drawings and specifications herein are the property of Digital Equipment Corporation and shall not be reproduced or copied or used in whole or in part as the basis for the manufacture or sale of items without written permission.  
Copyright © 1975, Digital Equipment Corporation





TITLE	SHEET 2 OF 3	SIZE	CODE	NUMBER	REV
RX8 FLOPPY DISK SYSTEM		B	DD	RX8-Ø	A

CUSTOMER PRINT SET		ELECTRICAL					CUSTOMER PRINT SET		MECHANICAL						
1	MFG. SET	FIND NO.	DRAWING NO.	REV	NO OF SHT	DESCRIPTION	OPTION NO./FILE DATE	1	MFG. SET	FIND NO.	DRAWING NO.	REV	NO OF SHT	DESCRIPTION	OPTION NO./FILE DATE
X		1	B-DD-RX8-Ø	#	3	DRAWING DIRECTORY, RX8		X		1	D-UA-RX8-Ø-Ø	#	1	RX8 FLOPPY DISK SYSTEM	
			A-SP-RX8-Ø-1			CHECKOUT PROCEDURE					A-PL-RX8-Ø-Ø	#	1	RX8 FLOPPY DISK SYSTEM P.L.	
X			A-PL-RX8-Ø-3	#	1	SHIPPING LIST					A-PI-3700185-0-0		2	PACKAGING INSTRUCTIONS	
			A-SP-RX8-Ø-4	#	12	ACCEPTANCE PROCEDURE					A-PI-3700193-0-0			CUSTOMER PACKAGING INSTRUCTIONS	
			A SP-RX8-Ø-5	#	11	RX8E ENGINEERING SPECIFICATION									
X		3	D-CS-M8357-Ø-1	#	3	RX8-E OMNIBUS INTERFACE				2	B-DD-RXØ1-Ø	#	3	FLOPPY DISK DRIVE	
			A-SP-M8357-Ø-7		3	ACCEPTANCE TEST PROCEDURE									

CUSTOMER PRINT SET CODES  
X = PRINT OF DOCUMENT INCLUDED IN PRINT SET  
C = INCLUDES ALL PRINTS INDICATED ON DOCUMENT  
S = CONFIDENTIAL AUTHORIZED SIGNATURE REQUIRED

TITLE  
RX8 FLOPPY DISK SYSTEM

SIZE CODE  
B DD

NUMBER  
RX8-Ø

REV  
A

SHEET 3 OF 3



THE DRAWING AND SPECIFICATIONS HEREIN ARE THE PROPERTY OF DIGITAL EQUIPMENT CORPORATION AND SHALL NOT BE REPRODUCED OR COPIED OR USED IN WHOLE OR IN PART AS THE BASIS FOR THE MANUFACTURE OR SALE OF ITEMS WITHOUT WRITTEN PERMISSION. COPYRIGHT © 1975, DIGITAL EQUIPMENT CORPORATION

0-0-8XB M 2

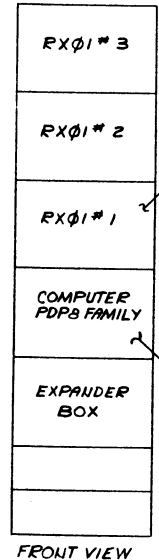
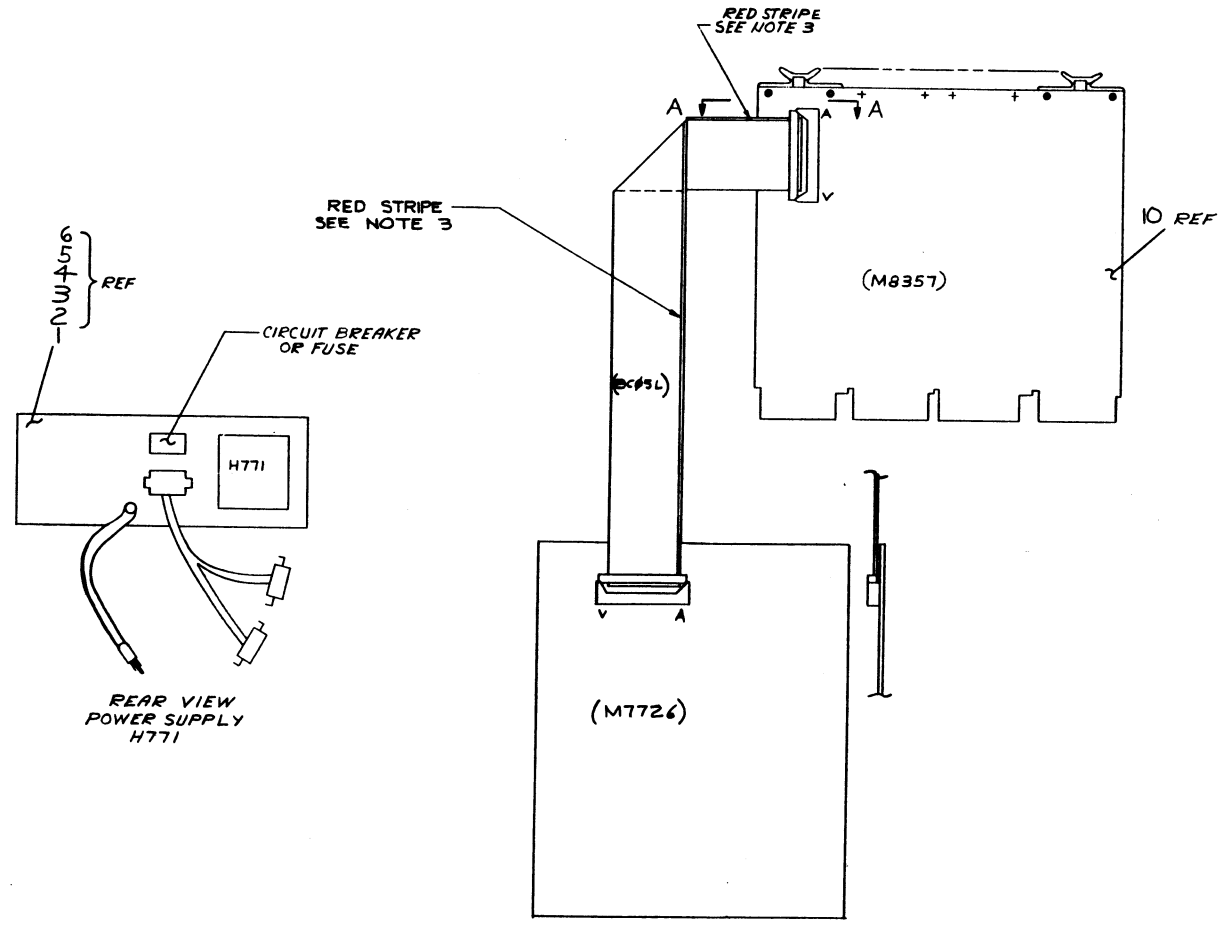
LEGEND

NUMBER	VARIATION
RXB-AA	RX01-AA ≠ RX8-E INTERFACE, 115 V, 60 HZ
RXB-AC	RX01-AC ≠ RX8-E INTERFACE, LOW V, 50 HZ
RXB-AD	RX01-AD ≠ RX8-E INTERFACE, HIGH V, 50 HZ
RXB-BA	RX01-BA ≠ RX8-E INTERFACE, 115 V, 60 HZ
RXB-BC	RX01-BC ≠ RX8-E INTERFACE, LOW V, 50 HZ
RXB-BD	RX01-BD ≠ RX8-E INTERFACE, HIGH V, 50 HZ
RXB-DA	RX01-DA ≠ RX8-E INTERFACE, 115 V, 60 HZ
RXB-DC	RX01-DC ≠ RX8-E INTERFACE, LOW V, 50 HZ
RXB-DD	RX01-DD ≠ RX8-E INTERFACE, HIGH V, 50 HZ
RXB-E	OMNIBUS INTERFACE (M8357)

NOTES:

- ONE (1) BC05L CABLE SUPPLIED WITH EACH RX01.
- ONE (1) M8357 (RX8-E) MODULE REQ'D FOR EACH RX01. FOR TWO (2) OR MORE RX01'S, CHANGE IOT CODES PER DRAWING D-CS-M8357-0-1 FOR EACH RX01 BEYOND #1.
- RED STRIPE ON BC05L CABLE INDICATES PIN "A" ON CONNECTOR.

VIEW A-A



6  
5  
4  
3  
2  
1

SEE NOTE #2  
10

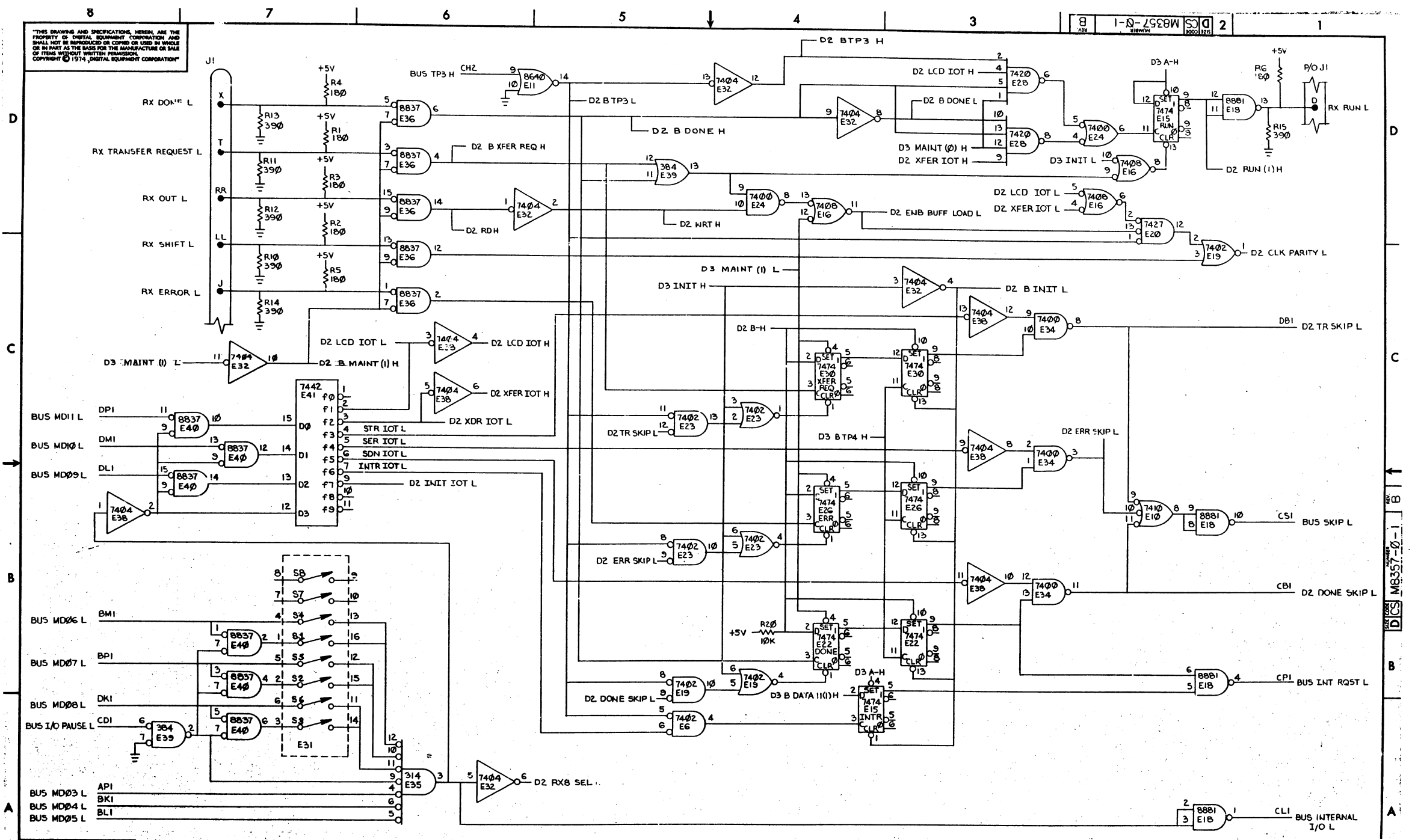
FRONT VIEW

REV.	
CHG	
CHK	
INT	
DES	
APP	
DATE	

THIRD ANGLE PROJECTION	DRN	3/9/75	FIRST USED ON	PDP8 FAMILY
	CHK'D	5/6/75	TITLE	RX8 FLOPPY DISK SYSTEM
REMOVE BURRS AND BREAK SHARP CORNERS	ENG		PROD	
DO NOT SCALE DWG	NEXT HIGHER ASSY.			
MATERIAL	A-PL-RXB-0-0	B-DD-RXB-0	SIZE	D
SCALE	NONE	SCALE	NONE	
FINISH				



THIS DRAWING AND SPECIFICATIONS, HEREIN, ARE THE PROPERTY OF DIGITAL EQUIPMENT CORPORATION AND SHALL NOT BE REPRODUCED OR COPIED IN WHOLE OR IN PART AS THE BASIS FOR THE MANUFACTURE OR SALE OF ITEMS WITHOUT WRITTEN PERMISSION. COPYRIGHT © 1974, DIGITAL EQUIPMENT CORPORATION



REVISIONS		
CHK	CHANGE NO.	REV.

(DEVICE SELECT, I/O DECODE & RX/OI CONTROL LOGIC)

TITLE	RX8-E (D2)	SIZE CODE	D CS	NUMBER	M8357-0-1	REV.	B
SCALE	1:1	SHEET	2 OF 3	DIST.			

D CS M8357-0-1





