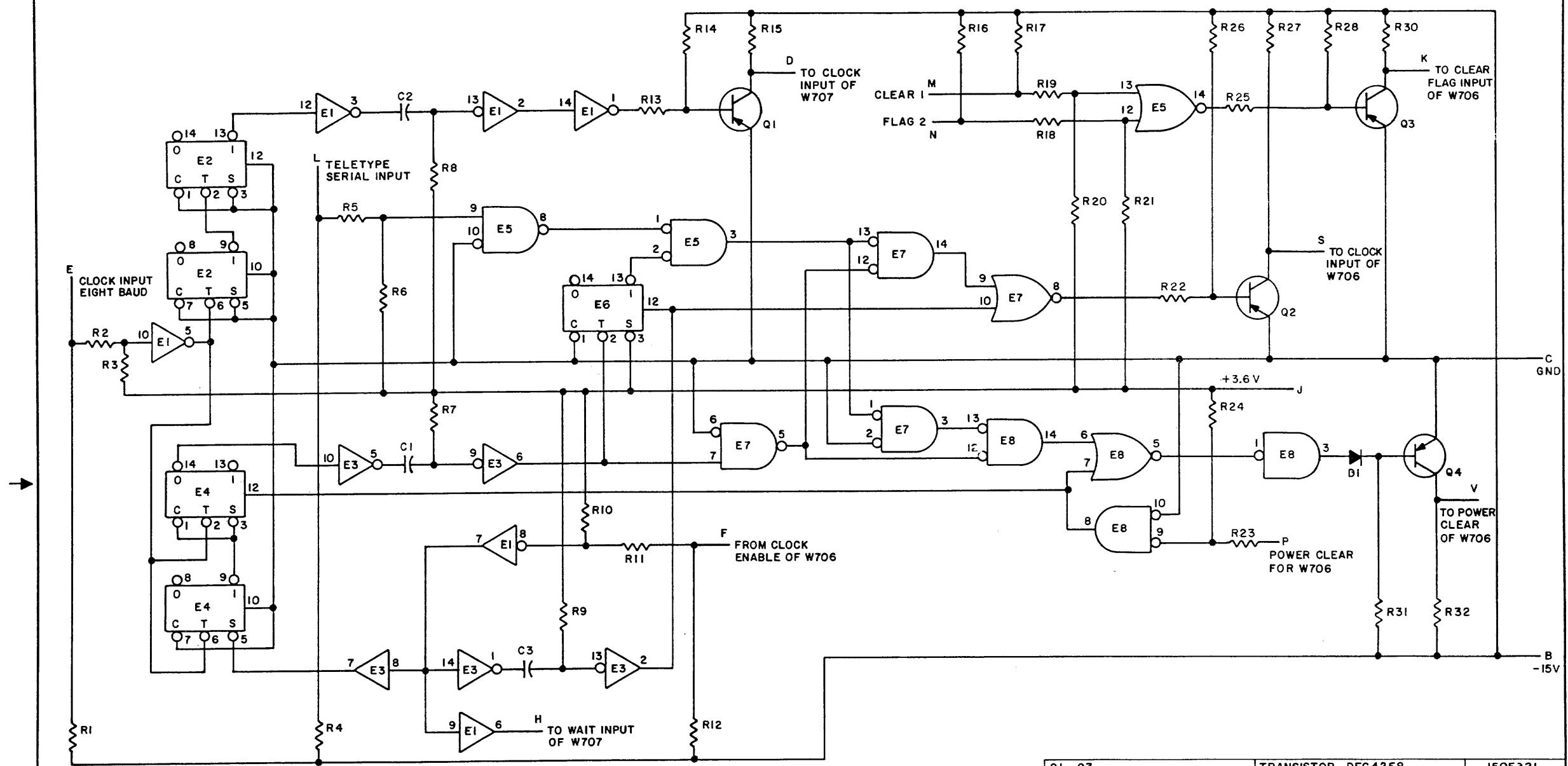


THIS SCHEMATIC IS FURNISHED ONLY FOR TEST AND MAINTENANCE PURPOSES. THE CIRCUITS ARE PROPRIETARY IN NATURE AND SHOULD BE TREATED ACCORDINGLY. COPYRIGHT 1967 BY DIGITAL EQUIPMENT CORPORATION



NOTES:  
 PIN 4 ON EACH IC = GND  
 PIN 11 ON EACH IC = +3.6V  
 IC'S ARE MOTOROLA MC700 SERIES RTL

\* 2(TWO) IN3606 IN SERIES

REFERENCE DESIGNATION	DESCRIPTION	PART NO.
Q1-Q3	TRANSISTOR DEC4258	1505321
E5, E7, E8	INTEGRATED CKT. MC724P	1904821
E2, E4, E6	INTEGRATED CKT. MC790P	1904826
E1, E3	INTEGRATED CKT. MC789P	1904822
Q4	TRANSISTOR DEC6B	1509090-01
C1 THRU C3	CAP. 150 MMF 100V 5% D.M.	1000019
R14, R26, R28, R31	RES. 15K 1/4W 5% CC	1300496
R7, R8, R9, R13, R22, R25	RES. 2.4K 1/4W 5% CC	1303177
R3, R6, R10, R15, R20, R21, R24, R27, R32	RES. 3K 1/4W 5% CC	1300432
R2, R5, R11, R18, R19, R23	RES. 2.7K 1/4W 5% CC	1300426
R1, R4, R12, R16, R17, R30	RES. 7.5K 1/4W 5% CC	1301422
D1	DIODE D668	1102161
	PARTS LIST	A-PL-W708-0-0

REV.	NO.	DATE	BY
A	1	3/10/67	M. Waller
B	1	3/15/67	D. Roberts
C	1		

CHK	NO.	REV.
61	7088	B
62	00001	C

DRN.	DATE	DEC	EIA
M. Waller	3-3-67	DEC	EIA
CHK'D	DATE	DEC	EIA
D. Roberts	3/15/67	DEC	EIA
PROD.	DATE	DEC	EIA

digital EQUIPMENT CORPORATION  
 MAYNARD, MASSACHUSETTS

TITLE: COMMUNICATIONS INTERFACER W708

SIZE CODE NUMBER REV.  
 C CS W708-0-1 C

PRINTED CIRCUIT REV. A

REV. C  
 NUMBER W708-0-1  
 SIZE CODE C CS