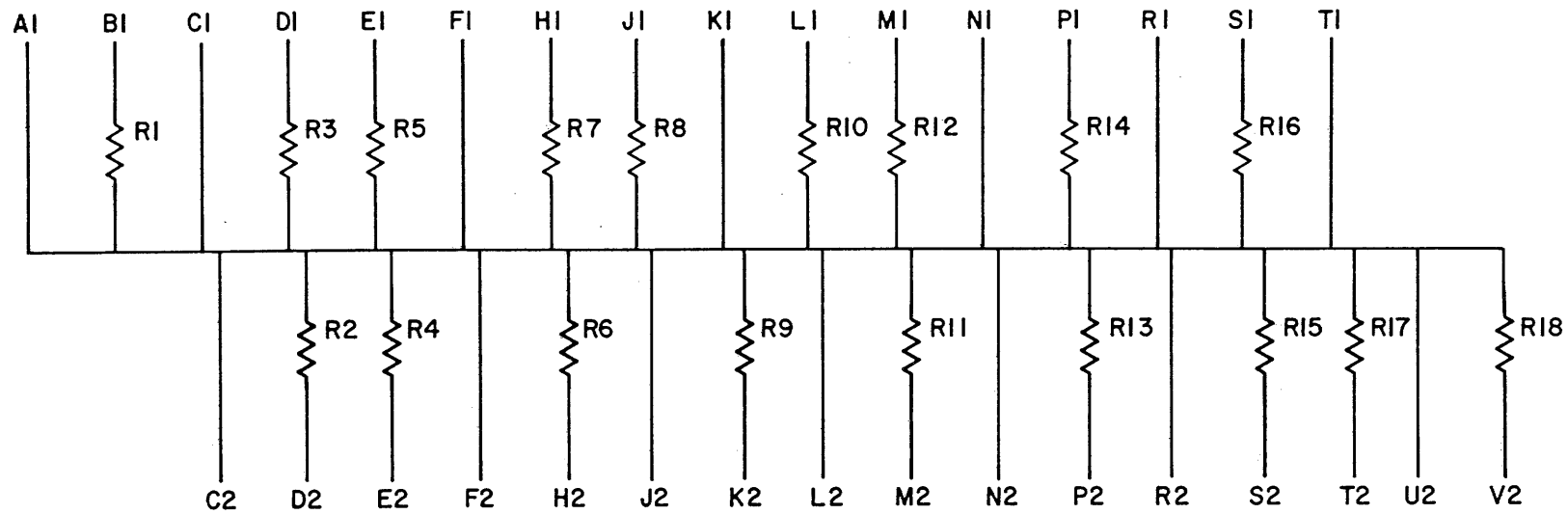


REV.	NUMBER	CODE	SIZE
	M902-YA-1	CS	B

THIS SCHEMATIC IS FURNISHED ONLY FOR TEST AND MAINTENANCE PURPOSES. THE CIRCUITS ARE PROPRIETARY IN NATURE AND SHOULD BE TREATED ACCORDINGLY. COPYRIGHT 1970 BY DIGITAL EQUIPMENT CORPORATION



UNLESS OTHERWISE INDICATED:  
RESISTORS ARE 470, 1/4W, 5%

REVISIONS CHK CHG NO. REV.	DRN. <i>S. Cooper</i>		DATE <i>10/5/70</i>		TRANSISTOR & DIODE CONVERSION CHART				<b>digital</b> EQUIPMENT CORPORATION MAYNARD, MASSACHUSETTS	TITLE RESISTOR TERMINATOR M902-YA			
	CHK'D <i>M. Miller</i>		DATE <i>10/7/70</i>		DEC	EIA	DEC	EIA		SIZE B	CODE CS	NUMBER M902-YA-1	REV.
	ENG. <i>[Signature]</i>		DATE <i>11/12/70</i>										
	PROD.		DATE										
PRINTED CIRCUIT REV.										A			